

# DATA SHEET

## **PCK2010**

**CK98 (100/133MHz) Spread Spectrum  
System Clock Generator**

Preliminary specification

1999 Mar 01

# CK98 (100/133MHz) Spread Spectrum System Clock Generator

PCK2010

## FEATURES

- Mixed 2.5V and 3.3V operation
- Four CPU clocks at 2.5V
- Eight PCI clocks at 3.3V, one free-running (synchronous with CPU clocks)
- Four 3.3V fixed clocks @ 66MHz
- Two 2.5V CPUDIV2 clocks @ ½ CPU clock frequency
- Three 2.5V IOAPIC clocks @ 16.67 MHz
- One 3.3V 48MHz USB clock
- Two 3.3V reference clocks @ 14.318 MHz
- Reference 14.31818 MHz Xtal oscillator input
- 133 MHz or 100 MHz operation
- Power management control input pins
- LOW CPU clock jitter  $\leq 250$  ps cycle-cycle
- LOW skew outputs
- 0.0ns – 1.5ns CPU - 3V66 delay
- 1.5ns – 4.0ns 3V66 - PCI delay
- 1.5ns – 4.0 ns CPU - IOAPIC delay
- Available in 56-pin SSOP package
- $\pm 0.5\%$  center spread spectrum capability via select pins;  $-0.5\%$  down spread spectrum capability via select pins

## DESCRIPTION

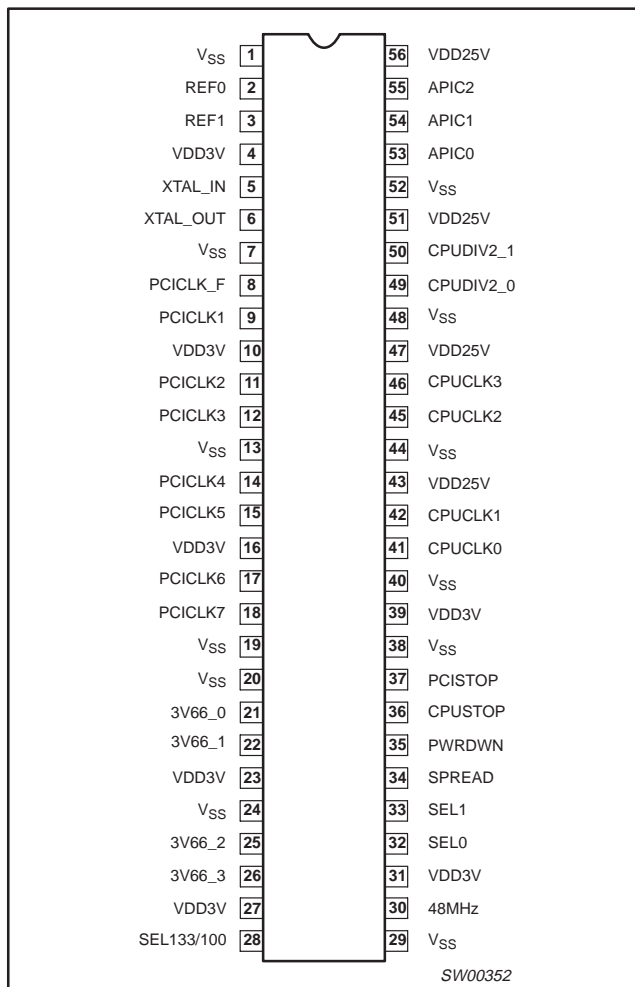
The PCK2010 is a clock synthesizer/driver chip for a PentiumII and other similar processors.

The PCK2010 has four CPU clock outputs at 2.5V, two CPUDIV2 clock outputs running at ½ CPU clock frequency (66MHz or 50MHz depending on the state of SEL133/100) and four 3V66 clocks running at 66MHz. There are eight PCI clock outputs running at 33MHz. One of the PCI clock outputs is free-running. Additionally, the part has three 2.5V IOAPIC clock outputs at 16.67MHz and two 3.3V reference clock outputs at 14.318MHz. All clock outputs meet Intel's drive strength, rise/fall time, jitter, accuracy, and skew requirements.

The part possesses dedicated power-down, CPUSTOP, and PCISTOP input pins for power management control. These inputs are synchronized on-chip and ensure glitch-free output transitions. When the CPUSTOP input is asserted, the CPU clock outputs and 3V66 clock outputs are driven LOW. When the PCISTOP input is asserted, the PCI clock outputs are driven LOW.

Finally, when the PWRDWN input pin is asserted, the internal reference oscillator and PLLs are shut down, and all outputs are driven LOW.

## PIN CONFIGURATION



## ORDERING INFORMATION

PACKAGES	TEMPERATURE RANGE	OUTSIDE NORTH AMERICA	NORTH AMERICA	DRAWING NUMBER
56-Pin Plastic SSOP	0°C to +70°C	PCK2010 DL	PCK2010 DL	SOT371-1

Intel and Pentium are registered trademarks of Intel Corporation.

# CK98 (100/133MHz) Spread Spectrum System Clock Generator

PCK2010

## PIN DESCRIPTION

PIN NUMBER	SYMBOL	FUNCTION
2,3	REF [0–1]	3.3V 14.318 MHz clock output
5	XTAL_IN	14.318 MHz crystal input
6	XTAL_OUT	14.318 MHz crystal output
8	PCICLK_F	3.3V free running PCI clock
9, 11, 12, 14, 15, 17, 18	PCICLK [1–7]	3.3V PCI clock outputs
21, 22, 25, 26	3V66 [0–3]	3.3V fixed 66MHz clock outputs
28	SEL133/100	Select input pin for enabling 133MHz or 100MHz CPU outputs. H = 133MHz, L = 100MHz
30	48MHZ	3.3V fixed 48MHZ clock output
32, 33	SEL [0–1]	Logic select pins. TTL levels.
34	SPREAD	3.3V LVTTTL input. Enables spread spectrum mode when held LOW.
35	PWRDWN	3.3V LVTTTL input. Device enters powerdown mode when held LOW.
36	CPUSTOP	3.3V LVTTTL input. Stops all CPU clocks and 3V66 clocks when held LOW. CPUDIV_2 output remains on all the time.
37	PCISTOP	3.3V LVTTTL input. Stops all PCI clocks except PCICLK_F when held LOW.
41, 42, 45, 46	CPUCLK [0–3]	2.5V CPU output. 133MHz or 100MHz depending on state of input pin SEL133/100.
49, 50	CPUDIV_2 [0–1]	2.5V output running at 1/2 CPU clock frequency. 66MHz or 50MHz depending on state of input pin SEL133/100.
53, 54, 55	IOAPIC [0–2]	2.5V clock outputs running divide synchronous with the CPU clock frequency. Fixed 16.67 MHz limit.
4, 10, 16, 23, 27, 31, 39	V <sub>DD3V</sub>	3.3V power supply.
1, 7, 13, 19, 20, 24, 29, 38, 40, 44, 48, 52	V <sub>SS</sub>	Ground
43, 47, 51, 56	V <sub>DD25V</sub>	2.5V power supply

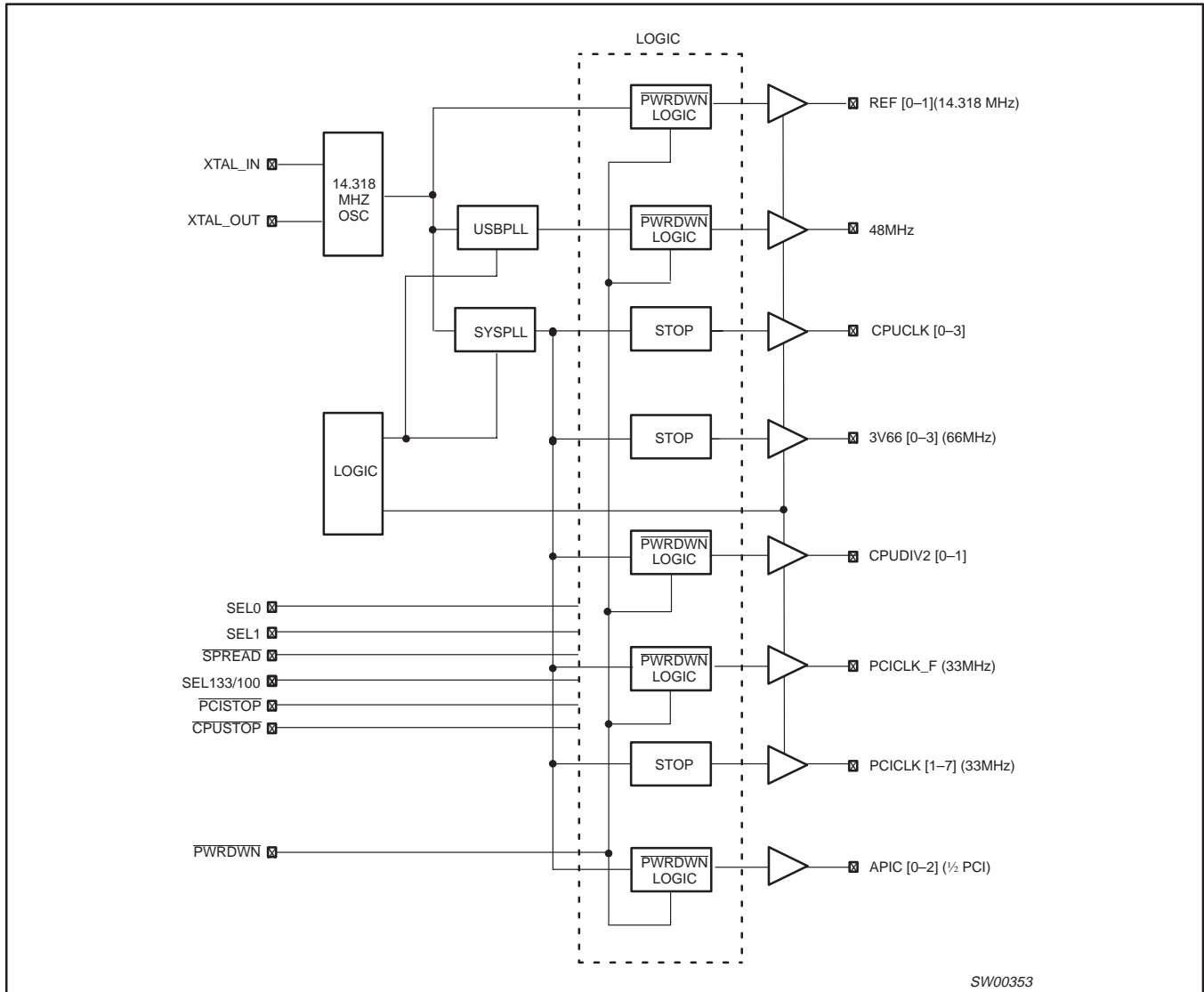
### NOTES:

- V<sub>DD3V</sub>, V<sub>DD25V</sub> and V<sub>SS</sub> in the above tables reflects a likely internal POWER and GROUND partition to reduce the effects of internal noise on the performance of the device. In reality, the platform will be configured with the V<sub>DD25V</sub> pins tied to a 2.5V supply, all remaining V<sub>DD</sub> pins tied to a common 3.3V supply and all V<sub>SS</sub> pins being common.

# CK98 (100/133MHz) Spread Spectrum System Clock Generator

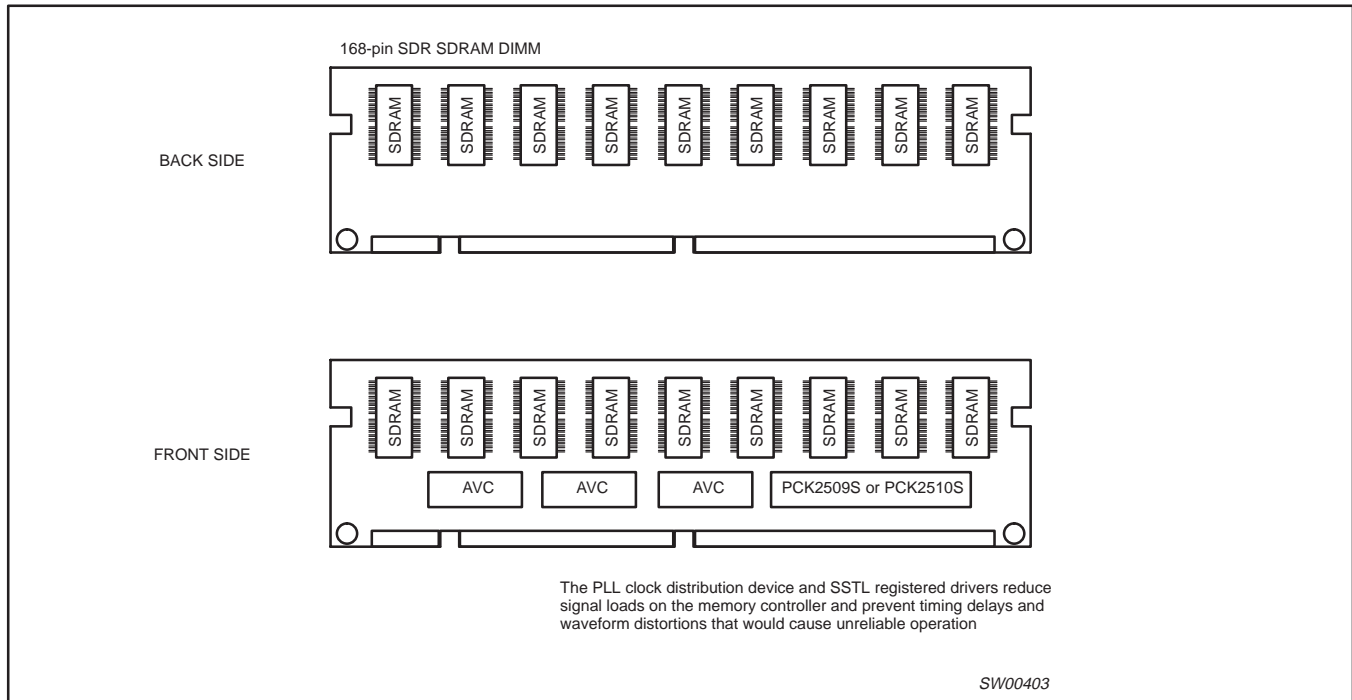
PCK2010

## BLOCK DIAGRAM



# CK98 (100/133MHz) Spread Spectrum System Clock Generator

PCK2010



## FUNCTION TABLE

SEL 133/100	SEL1	SEL0	CPU	CPUDIV2	3V66	PCI	48MHz	REF	IOAPIC	NOTES
0	0	0	HI-Z	HI-Z	HI-Z	HI-Z	HI-Z	HI-Z	HI-Z	1
0	0	1	N/A	N/A	N/A	N/A	N/A	N/A	N/A	2
0	1	0	100MHz	50MHz	66MHz	33MHz	HI-Z	14.318MHz	16.67MHz	3
0	1	1	100MHz	50MHz	66MHz	33MHz	48MHz	14.318MHz	16.67MHz	4, 7, 8
1	0	0	TCLK/2	TCLK/4	TCLK/4	TCLK/8	TCLK/2	TCLK	TCLK/16	5, 6
1	0	1	N/A	N/A	N/A	N/A	N/A	N/A	N/A	2
1	1	0	133MHz	66MHz	66MHz	33MHz	HI-Z	14.318MHz	16.67MHz	3
1	1	1	133MHz	66MHz	66MHz	33MHz	48MHz	14.318MHz	16.67MHz	4, 7, 8

### NOTES:

1. Required for board level "bed-of-nails" testing.
2. Used to support Intel confidential application.
3. 48MHz PLL disabled to reduce component jitter. 48MHz outputs to be held Hi-Z instead of driven to LOW state.
4. "Normal" mode of operation.
5. TCLK is a test clock over driven on the XTALIN input during test mode. TCLK mode is based on 133MHz CPU select logic.
6. Required for DC output impedance verification.
7. Frequency accuracy of 48MHz must be +167 PPM to match USB default.
8. Range of reference frequency allowed is MIN = 14.316MHz, NOMINAL = 14.31818MHz, MAX = 14.32MHz

CLOCK OUTPUT	TARGET FREQUENCY (MHz)	ACTUAL FREQUENCY (MHz)	PPM
USBCLK <sup>7</sup>	48.0	48.008	167

# CK98 (100/133MHz) Spread Spectrum System Clock Generator

PCK2010

## CLOCK ENABLE CONFIGURATION

CPUSTOP	PWRDWN	PCISTOP	CPUCLK	CPUDIV2	APIC	3V66	PCI	PCIF	REF 48MHz	OSC	VCOs
X	0	X	LOW	LOW	LOW	LOW	LOW	LOW	LOW	OFF	OFF
0	1	0	LOW	ON	ON	LOW	LOW	ON	ON	ON	ON
0	1	1	LOW	ON	ON	LOW	ON	ON	ON	ON	ON
1	1	0	ON	ON	ON	ON	LOW	ON	ON	ON	ON
1	1	1	ON	ON	ON	ON	ON	ON	ON	ON	ON

**NOTES:**

1. LOW means outputs held static LOW as per latency requirement below
2. ON means active.
3. PWRDWN pulled LOW, impacts all outputs including REF and 48MHz outputs.
4. All 3V66 clocks as well as CPU clocks should stop cleanly when CPUSTOP is pulled LOW.
5. CPUDIV2, IOAPIC, REF, 48MHz signals are not controlled by the CPUSTOP functionality and are enabled all in all conditions except when PWRDWN is LOW.

## POWER MANAGEMENT REQUIREMENTS

SIGNAL	SIGNAL STATE	LATENCY
		NO. OF RISING EDGES OF FREE RUNNING PCICLK
CPUSTOP	0 (DISABLED)	1
	1 (ENABLED)	1
PCISTOP	0 (DISABLED)	1
	1 (ENABLED)	1
PWRDWN	1 (NORMAL OPERATION)	3ms
	0 (POWER DOWN)	2 MAX

**NOTES:**

1. Clock ON/OFF latency is defined as the number of rising edges of free running PCICLKs between the clock disable goes HIGH/LOW to the first valid clock that comes out of the device.
2. Power up latency is when PWRDWN goes inactive (HIGH) to when the first valid clocks are driven from the device.

## ABSOLUTE MAXIMUM RATINGS<sup>1, 2</sup>

In accordance with the Absolute Maximum Rating System (IEC 134)  
 Voltages are referenced to  $V_{SS}$  ( $V_{SS} = 0V$ )

SYMBOL	PARAMETER	CONDITION	LIMITS		UNIT
			MIN	MAX	
$V_{DD3}$	DC 3.3V core supply voltage		-0.5	+4.6	V
$V_{DDQ3}$	DC 3.3V I/O supply voltage		-0.5	+4.6	V
$V_{DDQ2}$	DC 2.5V I/O supply voltage		-0.5	+3.6	V
$I_{IK}$	DC input diode current	$V_I < 0$		-50	mA
$V_I$	DC input voltage	Note 2	-0.5	5.5	V
$I_{OK}$	DC output diode current	$V_O > V_{CC}$ or $V_O < 0$		±50	mA
$V_O$	DC output voltage	Note 2	-0.5	$V_{CC} + 0.5$	V
$I_O$	DC output source or sink current	$V_O = 0$ to $V_{CC}$		±50	mA
$T_{STG}$	Storage temperature range		-65	+150	°C
$P_{TOT}$	Power dissipation per package plastic medium-shrink (SSOP)	For temperature range: -40 to +125°C above +55°C derate linearly with 11.3mW/K		850	mW

**NOTES:**

1. Stresses beyond those listed may cause permanent damage to the device. These are stress ratings only and functional operation of the device at these or any other conditions beyond those indicated under "recommended operating conditions" is not implied. Exposure to absolute-maximum-rated conditions for extended periods may affect device reliability.
2. The input and output voltage ratings may be exceeded if the input and output current ratings are observed.

# CK98 (100/133MHz) Spread Spectrum System Clock Generator

PCK2010

## RECOMMENDED OPERATING CONDITIONS

SYMBOL	PARAMETER	CONDITIONS	LIMITS		UNIT
			MIN	MAX	
V <sub>DD3V</sub>	DC 3.3V core supply voltage		3.135	3.465	V
V <sub>DD25V</sub>	DC 2.5V I/O supply voltage		2.375	2.625	V
C <sub>L</sub>	Capacitive load on: CPUCLK PCICLK CPUDIV2 3V66 48MHz clock REF IOAPIC	1 device load, possible 2 loads Must meet PCI 2.1 requirements 1 device load, possible 2 loads 1 device load, possible 2 loads 1 device load 1 device load 1 device load	10 10 10 10 10 10 10	20 30 20 30 20 20 20	pF
V <sub>I</sub>	DC input voltage range		0	V <sub>DD3V</sub>	V
V <sub>O</sub>	DC output voltage range		0	V <sub>DD25V</sub> V <sub>DD3V</sub>	V
f <sub>REF</sub>	Reference frequency, oscillator nominal value		14.31818	14.31818	MHz
T <sub>amb</sub>	Operating ambient temperature range in free air		0	+70	°C

## POWER MANAGEMENT

CK133 CONDITION	MAXIMUM 2.5V SUPPLY CONSUMPTION	MAXIMUM 3.3V SUPPLY CONSUMPTION
	MAXIMUM DISCRETE CAP LOADS, V <sub>DD25V</sub> = 2.625V ALL STATIC INPUTS = V <sub>DD3V</sub> OR V <sub>SS</sub>	MAXIMUM DISCRETE CAP LOADS, V <sub>DD25V</sub> = 3.465V ALL STATIC INPUTS = V <sub>DD3V</sub> OR V <sub>SS</sub>
Power-down mode (PWRDWN = 0)	100µA	200µA
Full active 100MHz SEL133/100# = 0 SEL1, 0 = 1 1 CPUSTOP, PCISTOP = 1	75mA	160mA
Full active 133MHz SEL133/100# = 1 SEL1, 0 = 1 1 CPUSTOP, PCISTOP = 1	90mA	160mA

# CK98 (100/133MHz) Spread Spectrum System Clock Generator

PCK2010

## DC CHARACTERISTICS

SYMBOL	PARAMETER	TEST CONDITIONS			LIMITS			UNIT
		$T_{amb} = 0^{\circ}\text{C to } +70^{\circ}\text{C}$			MIN	TYP	MAX	
		$V_{DD}$ (V)	OTHER					
$V_{IH}$	HIGH level input voltage	3.135 to 3.465		$V_{DD25V} = 2.5V \pm 5\%$	2.0		$V_{DD} + 0.3$	V
$V_{IL}$	LOW level input voltage	3.135 to 3.465		$V_{DD3V} = 3.3V \pm 5\%$	$V_{SS} - 0.3$		0.8	V
$V_{OH2}$	2.5V output HIGH voltage CPUCLK, IOAPIC, CPUDIV2	2.375 to 2.625	$I_{OH} = -1\text{mA}$		2.0		–	V
$V_{OL2}$	2.5V output LOW voltage CPUCLK, IOAPIC, CPUDIV2	2.375 to 2.625	$I_{OL} = 1\text{mA}$		–		0.4	V
$V_{OH3}$	3.3V output HIGH voltage REF, 48MHz	3.135 to 3.465	$I_{OH} = -1\text{mA}$		2.0		–	V
$V_{OL3}$	3.3V output LOW voltage REF, 48MHz	3.135 to 3.465	$I_{OL} = 1\text{mA}$		–		0.4	V
$V_{OH3}$	3.3V output HIGH voltage PCI, 3V66	3.135 to 3.465	$I_{OH} = -1\text{mA}$		2.4		–	V
$V_{OL3}$	3.3V output LOW voltage PCI, 3V66	3.135 to 3.465	$I_{OL} = 1\text{mA}$		–		0.55	V
$I_{OH}$	CPUCLK output HIGH current	2.375	$V_{OUT} = 1.0\text{V}$		–27		–	mA
		2.625	$V_{OUT} = 2.375\text{V}$		–		–27	
$I_{OH}$	48MHz, REF output HIGH current	3.135	$V_{OUT} = 1.0\text{V}$		–29		–	mA
		3.465	$V_{OUT} = 3.135\text{V}$		–		–23	
$I_{OH}$	PCI, 3V66 output HIGH current	3.135	$V_{OUT} = 1.0\text{V}$		–33		–	mA
		3.465	$V_{OUT} = 3.135\text{V}$		–		–33	
$I_{OL}$	CPUCLK output LOW current	2.375	$V_{OUT} = 1.2\text{V}$		27		–	mA
		2.625	$V_{OUT} = 0.3\text{V}$		–		30	
$I_{OL}$	48MHz, REF output LOW current	3.135	$V_{OUT} = 1.95\text{V}$		29		–	mA
		3.465	$V_{OUT} = 0.4\text{V}$		–		27	
$I_{OL}$	PCI, 3V66 output LOW current	3.135	$V_{OUT} = 1.95\text{V}$		30		–	mA
		3.465	$V_{OUT} = 0.4\text{V}$		–		38	
$\pm I_I$	Input leakage current	3.465			–		5	$\mu\text{A}$
$\pm I_{OZ}$	3-State output OFF-State current	3.465	$V_{OUT} = V_{dd}$ or GND	$I_O = 0$	–		10	$\mu\text{A}$
$C_{in}$	Input pin capacitance						5	pF
$C_{xtal}$	Xtal pin capacitance, as seen by external crystal					18		pF
$C_{out}$	Output pin capacitance						6	pF
$I_{dd3}$	Operating supply current	3.465	100MHz mode	Outputs loaded <sup>1</sup>			160	mA
			133MHz mode	Outputs loaded <sup>1</sup>			160	mA
	Powerdown supply current		All static inputs to $V_{DD}$ or GND				200	$\mu\text{A}$
$I_{dd2}$	Operating supply current	2.625	100MHz mode	Output loaded <sup>1</sup>			160	mA
			133MHz mode	Output loaded <sup>1</sup>			160	mA
	Powerdown supply current		All static inputs to $V_{DD}$ or GND				100	$\mu\text{A}$

### NOTE:

1. All clock outputs loaded with maximum lump capacitance test load specified in AC characteristics section.



# CK98 (100/133MHz) Spread Spectrum System Clock Generator

PCK2010

## AC CHARACTERISTICS

 $V_{DD3V} = 3.3V \pm 5\%$ ;  $V_{DDAPIC} = V_{DD25V} = 2.5V \pm 5\%$ ;  $f_{crystal} = 14.31818 \text{ MHz}$ 

### CPU CLOCK OUTPUTS, CPU(0–3) (LUMP CAPACITANCE TEST LOAD = 20pF)

SYMBOL	PARAMETER	LIMITS $T_{amb} = 0^{\circ}\text{C to } +70^{\circ}\text{C}$		LIMITS $T_{amb} = 0^{\circ}\text{C to } +70^{\circ}\text{C}$		UNIT	NOTES
		133MHz MODE		100MHz MODE			
		MIN	MAX	MIN	MAX		
$T_{HKP}$	CPUCLK period	7.5	8.0	10.0	10.5	ns	2, 9
$T_{HKH}$	CPUCLK HIGH time	1.87	n/a	3.0	n/a	ns	5, 10
$T_{HKL}$	CPUCLK LOW time	1.67	n/a	2.8	n/a	ns	6, 10
$T_{HRISE}$	CPUCLK rise time	0.4	1.6	0.4	1.6	ns	8
$T_{HFALL}$	CPUCLK fall time	0.4	1.6	0.4	1.6	ns	8
$T_{JITTER}$	CPUCLK cycle-cycle jitter		250		250	ps	
DUTY CYCLE	Output Duty Cycle	45	55	45	55	%	1
$T_{HSKW}$	CPUCLK pin-pin skew		175		175	ps	2

### CPUDIV2 CLOCK OUTPUTS, CPUDIV2 (0–1) (LUMP CAPACITANCE TEST LOAD = 20pF)

SYMBOL	PARAMETER	LIMITS $T_{amb} = 0^{\circ}\text{C to } +70^{\circ}\text{C}$		LIMITS $T_{amb} = 0^{\circ}\text{C to } +70^{\circ}\text{C}$		UNIT	NOTES
		133MHz MODE		100MHz MODE			
		MIN	MAX	MIN	MAX		
$T_{HKP}$	CPUDIV2 CLK period	15.0	16.0	20.0	21.0	ns	2, 9
$T_{HKH}$	CPUDIV2 CLK HIGH time	5.25	n/a	7.5	n/a	ns	5, 10
$T_{HKL}$	CPUDIV2 CLK LOW time	5.05	n/a	7.3	n/a	ns	6, 10
$T_{HRISE}$	CPUDIV2 CLK rise time	0.4	1.6	0.4	1.6	ns	8
$T_{HFALL}$	CPUDIV2 CLK fall time	0.4	1.6	0.4	1.6	ns	8
$T_{JITTER}$	CPUDIV2 CLK cycle-cycle jitter		250		250	ps	
DUTY CYCLE	CPUDIV2 CLK Duty Cycle	45	55	45	55	%	1
$T_{HSKW}$	CPUDIV2 CLK pin-pin skew		175		175	ps	2

### PCI CLOCK OUTPUTS, PCI(0–7) (LUMP CAPACITANCE TEST LOAD = 30pF)

SYMBOL	PARAMETER	LIMITS $T_{amb} = 0^{\circ}\text{C to } +70^{\circ}\text{C}$		LIMITS $T_{amb} = 0^{\circ}\text{C to } +70^{\circ}\text{C}$		UNIT	NOTES
		133MHz MODE		100MHz MODE			
		MIN	MAX	MIN	MAX		
$T_{HKP}$	PCICLK period	30.0	n/a	30.0	n/a	ns	2, 9
$T_{HKH}$	PCICLK HIGH time	12.0	n/a	12.0	n/a	ns	5, 10
$T_{HKL}$	PCICLK LOW time	12.0	n/a	12.0	n/a	ns	6, 10
$T_{HRISE}$	PCICLK rise time	0.5	2.0	0.5	2.0	ns	8
$T_{HFALL}$	PCICLK fall time	0.5	2.0	0.5	2.0	ns	8
$T_{JITTER}$	PCICLK cycle-cycle jitter		500		500	ps	
DUTY CYCLE	PCICLK Duty Cycle	45	55	45	55	%	1
$T_{HSKW}$	PCICLK pin-pin skew		500		500	ps	2

# CK98 (100/133MHz) Spread Spectrum System Clock Generator

PCK2010

## APIC(0-1) CLOCK OUTPUT (LUMP CAPACITANCE TEST LOAD = 20pF)

SYMBOL	PARAMETER	LIMITS $T_{amb} = 0^{\circ}\text{C to } +70^{\circ}\text{C}$		LIMITS $T_{amb} = 0^{\circ}\text{C to } +70^{\circ}\text{C}$		UNIT	NOTES
		133MHz MODE		100MHz MODE			
		MIN	MAX	MIN	MAX		
$T_{HKP}$	IOAPIC CLK period	60.0	64.0	60.0	64.0	ns	2, 9
$T_{HKH}$	IOAPIC CLK HIGH time	25.5	n/a	25.5	n/a	ns	5, 10
$T_{HKL}$	IOAPIC CLK LOW time	25.3	n/a	25.3	n/a	ns	6, 10
$T_{HRISE}$	IOAPIC CLK rise time	0.4	1.6	0.4	1.6	ns	8
$T_{H FALL}$	IOAPIC CLK fall time	0.4	1.6	0.4	1.6	ns	8
$T_{JITTER}$	IOAPIC CLK cycle-cycle jitter		500		500	ps	
DUTY CYCLE	IOAPIC CLK Duty Cycle	45	55	45	55	%	1
$T_{HSKW}$	IOAPIC CLK pin-pin skew		250		250	ps	2

## 3V66 CLOCK OUTPUT, 3V66 (0-3) (LUMP CAPACITANCE TEST LOAD = 30 pF)

SYMBOL	PARAMETER	LIMITS $T_{amb} = 0^{\circ}\text{C to } +70^{\circ}\text{C}$		LIMITS $T_{amb} = 0^{\circ}\text{C to } +70^{\circ}\text{C}$		UNIT	NOTES
		133MHz MODE		100MHz MODE			
		MIN	MAX	MIN	MAX		
$T_{HKP}$	3V66 CLK period	15.0	16.0	15.0	16.0	ns	2, 9, 4
$T_{HKH}$	3V66 CLK HIGH time	5.25	n/a	5.25	n/a	ns	5, 10
$T_{HKL}$	3V66 CLK LOW time	5.05	n/a	5.05	n/a	ns	6, 10
$T_{HRISE}$	3V66 CLK rise time	0.4	1.6	0.4	1.6	ns	8
$T_{H FALL}$	3V66 CLK fall time	0.4	1.6	0.4	1.6	ns	8
$T_{JITTER}$	3V66 CLK cycle-cycle jitter		500		500	ps	
DUTY CYCLE	3V66 CLK Duty Cycle	45	55	45	55	%	1
$T_{HSKW}$	3V66 CLK pin-pin skew		250		250	ps	2

## 48MHZ(0-1) CLOCK OUTPUT (LUMP CAPACITANCE TEST LOAD = 20pF)

SYMBOL	PARAMETER	TEST CONDITIONS		LIMITS $T_{amb} = 0^{\circ}\text{C to } +70^{\circ}\text{C}$		UNIT
			NOTES	MIN	MAX	
f	Frequency, Actual	Determined by PLL divider ratio		48.008		MHz
$f_D$	Deviation from 48MHz	(48.008 - 48)/48		+167		ppm
$T_{HRISE} (t_R)$	Output rise edge rate			1	4	ns
$T_{H FALL} (t_F)$	Output fall edge rate			1	4	ns
DUTY CYCLE ( $t_D$ )	Duty Cycle			45	55	%
$T_{JITTER}$	CLK cycle-cycle jitter	133MHz		100MHz		ps
		MIN	MAX	MIN	MAX	
			500		500	
$T_{HSTB} (f_{ST})$	Frequency stabilization from Power-up (cold start)				3	ms

### NOTES:

- See Figure 3 for measure points.

# CK98 (100/133MHz) Spread Spectrum System Clock Generator

PCK2010

## AC CHARACTERISTICS (Continued)

SYMBOL	PARAMETER	TEST CONDITIONS		LIMITS $T_{amb} = 0^{\circ}\text{C to } +70^{\circ}\text{C}$			UNIT	NOTES
		Measurement loads (lumped)	Measure points	MIN	TYP	MAX		
$T_{HPOFFSET}$	CPUCLK to 3V66 CLK, CPU leads	CPU@30pF, 3V66@30pF	CPU@1.25V, 3V66@1.5V	0.0		1.5	ns	1
$T_{HPOFFSET}$	3V66 CLK to PCICLK, 3V66 leads	3V66@30pF, PCI@30pF	3V66@1.5V, PCI@1.5V	1.5		3.5	ns	1
$T_{HPOFFSET}$	CPUCLK to IOAPIC, CPU leads	CPU@20pF, IOAPIC@20pF	3CPU@1.25V, IOAPIC@1.25V	1.5		4.0	ns	1
	PCICLK to CPUCLK, CPU leads	PCI@30pF, CPU@30pF	PCI@1.5V, CPU@1.25V		5.8		ns	
	CPUDIV2 to CPUCLK, CPUDIV2 leads	CPUDIV2@20pF, CPU@30pF	CPUDIV2@ CPU@1.25V		1.6		ns	
	IOAPICCLK to CPUCLK, IOAPIC leads	IOAPIC@20pF, CPU@30pF	IOAPIC@20pF, CPU@1.25V		3.7		ns	
	3V66 CLK to CPUCLK, 3V66 leads	3V66@30pF, CPU@30pF	3V66@1.5V, CPU@1.25V		1.7		ns	

### NOTES:

- Output drivers must have monotonic rise/fall times through the specified  $V_{OL}/V_{OH}$  levels.
- Period, jitter, offset and skew measured on rising edge @ 1.25V for 2.5V clocks and @ 1.5V for 3.3V clocks.
- The PCICLK is the CPUCLK divided by four at CPUCLK = 133.MHz. The 3V66 CLK is internal VCO frequency divided by three at CPUCLK = 100MHz.
- 3V66 CLK is internal VCO frequency divided by two at CPUCLK = 133MHz. The 3V66 CLK is internal VCO frequency divided by three at CPUCLK = 100MHz.
- $T_{HKH}$  is measured at 2.0V for 2.5V outputs, 2.4V for 3.3V outputs as shown in Figure 4.
- $T_{HKL}$  is measured at 0.4V for all outputs as shown in Figure 4.
- The time is specified from when  $V_{DDQ}$  achieves its nominal operating level (typical condition  $V_{DDQ} = 3.3V$ ) until the frequency output is stable and operating within specification.
- $T_{HRISE}$  and  $T_{HFALL}$  are measured as a transition through the threshold region  $V_{OL} = 0.4V$  and  $V_{OH} = 2.4V$  (1mA) JEDEC specification.
- The average period over any 1  $\mu s$  period of time must be greater than the minimum specified period.
- Calculated at minimum edge-rate (1V/ns) to guarantee 45/55% duty-cycle. Pulse width is required to be wider at faster edge-rate to ensure duty-cycle specification is met.
- Output (see Figure 3 for measure points).

## PCK2010 SPREAD SPECTRUM FUNCTION TABLE

SPREAD#	SEL133/100#	SEL1	SEL0	Intel CK133	Intel CK133	Philips PCK2010	Philips PCK2010
pin 34	pin 28	pin 33	pin 32	Function	48MHz PLL	Function	48MHz PLL
0 (active)	0 (100MHz)	0	0	3-State to High Impedance	Inactive	3-State to High Impedance	Inactive
0 (active)	0 (100MHz)	0	1	(Reserved)	(Reserved)	100MHz, Center Spread $\pm 0.5\%$	Active
0 (active)	0 (100MHz)	1	0	100MHz, Down Spread - 0.5%	Inactive	100MHz, Down Spread - 0.5%	Inactive
0 (active)	0 (100MHz)	1	1	100MHz, Down Spread - 0.5%	Active	100MHz, Down Spread - 0.5%	Active
0 (active)	1 (133MHz)	0	0	Test Mode	Active	Test Mode	Active
0 (active)	1 (133MHz)	0	1	(Reserved)	(Reserved)	133MHz, Center Spread $\pm 0.5\%$	Active
0 (active)	1 (133MHz)	1	0	133MHz, Down Spread - 0.5%	Inactive	133MHz, Down Spread - 0.5%	Inactive
0 (active)	1 (133MHz)	1	1	133MHz, Down Spread - 0.5%	Active	133MHz, Down Spread - 0.5%	Active
1 (inactive)	0 (100MHz)	0	0	3-State to High Impedance	Inactive	3-State to High Impedance	Inactive

# CK98 (100/133MHz) Spread Spectrum System Clock Generator

PCK2010

1 (inactive)	0 (100MHz)	0	1	(Reserved)	(Reserved)	100MHz, No Center Spread $\pm 0.5\%$	Active
1 (inactive)	0 (100MHz)	1	0	100MHz, No Spread Spectrum	Inactive	100MHz, No Spread Spectrum	Inactive
1 (inactive)	0 (100MHz)	1	1	100MHz, No Spread Spectrum	Active	100MHz, No Down Spread $- 0.5\%$	Active
1 (inactive)	1 (133MHz)	0	0	Test Mode	Active	Test Mode	Active
1 (inactive)	1 (133MHz)	0	1	(Reserved)	(Reserved)	133MHz, No Center Spread $\pm 0.5\%$	Active
1 (inactive)	1 (133MHz)	1	0	133MHz, No Spread Spectrum	Inactive	133MHz, No Spread Spectrum	Inactive
1 (inactive)	1 (133MHz)	1	1	133MHz, No Spread Spectrum	Active	133MHz, No Down Spread $- 0.5\%$	Active

## AC WAVEFORMS

$V_M = 1.25V @ V_{DDQ2}$  and  $1.5V @ V_{DDQ3}$

$V_X = V_{OL} + 0.3V$

$V_Y = V_{OH} - 0.3V$

$V_{OL}$  and  $V_{OH}$  are the typical output voltage drop that occur with the output load.

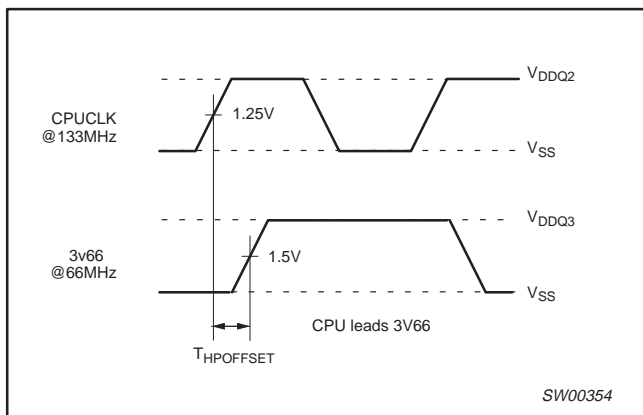


Figure 1. CPUCLK to 3V66 offset

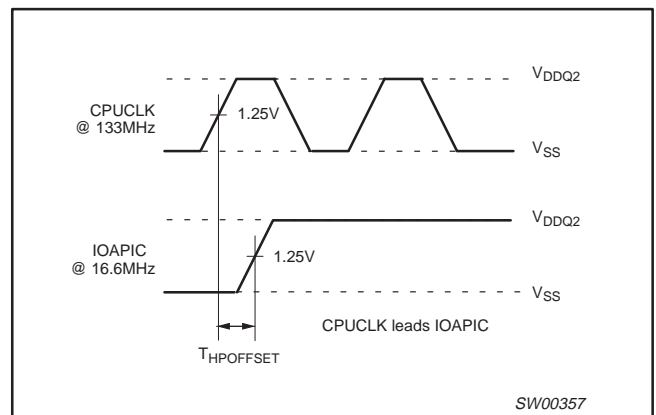


Figure 3. CPU to IOAPIC offset

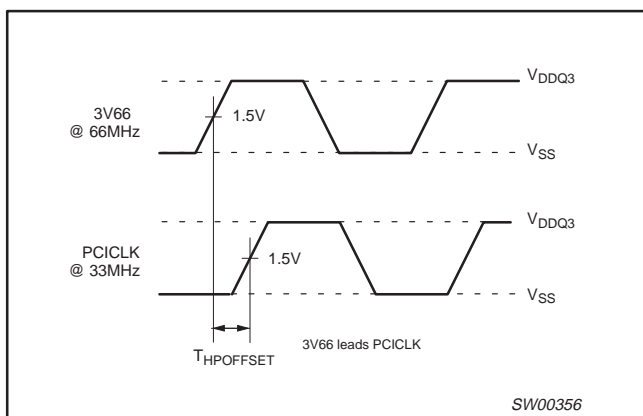


Figure 2. 3V66 to PCI offset

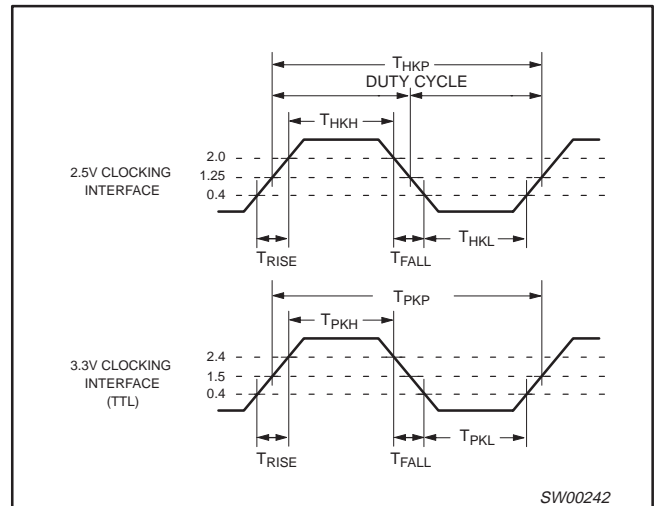


Figure 4. 2.5V/3.3V clock waveforms

# CK98 (100/133MHz) Spread Spectrum System Clock Generator

PCK2010

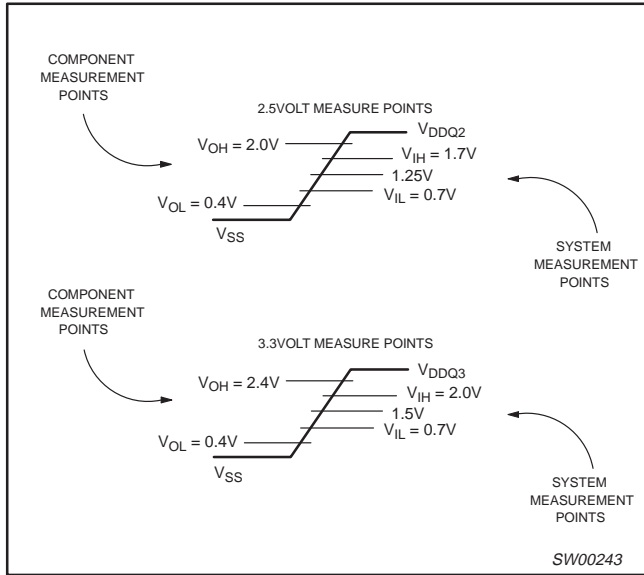


Figure 5. Component versus system measurement points

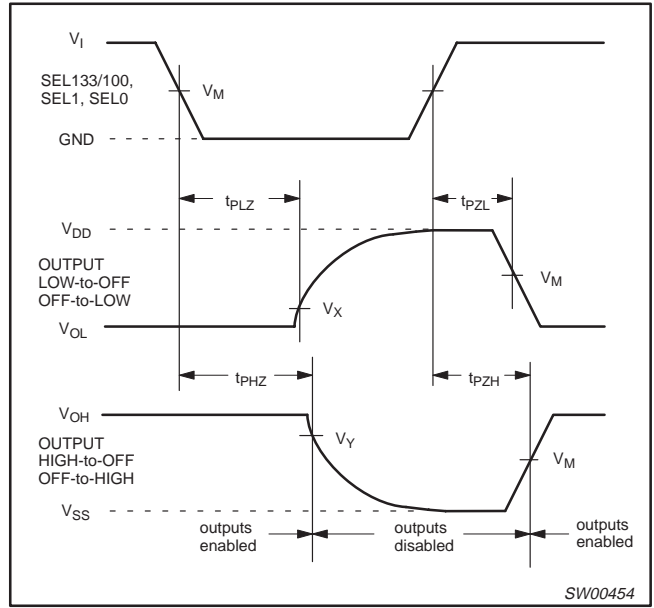


Figure 6. 3-State enable and disable times

# CK98 (100/133MHz) Spread Spectrum System Clock Generator

PCK2010

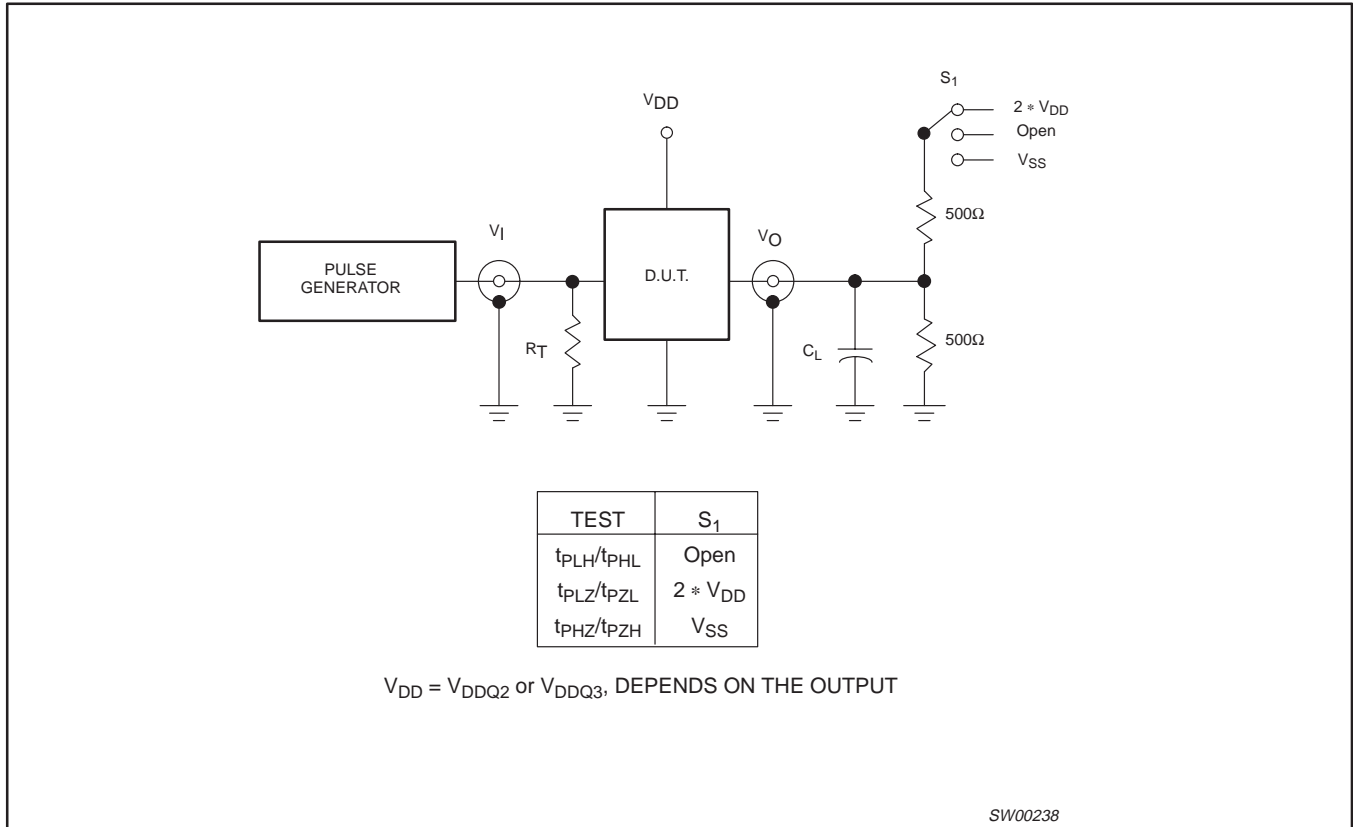


Figure 7. Load circuitry for switching times

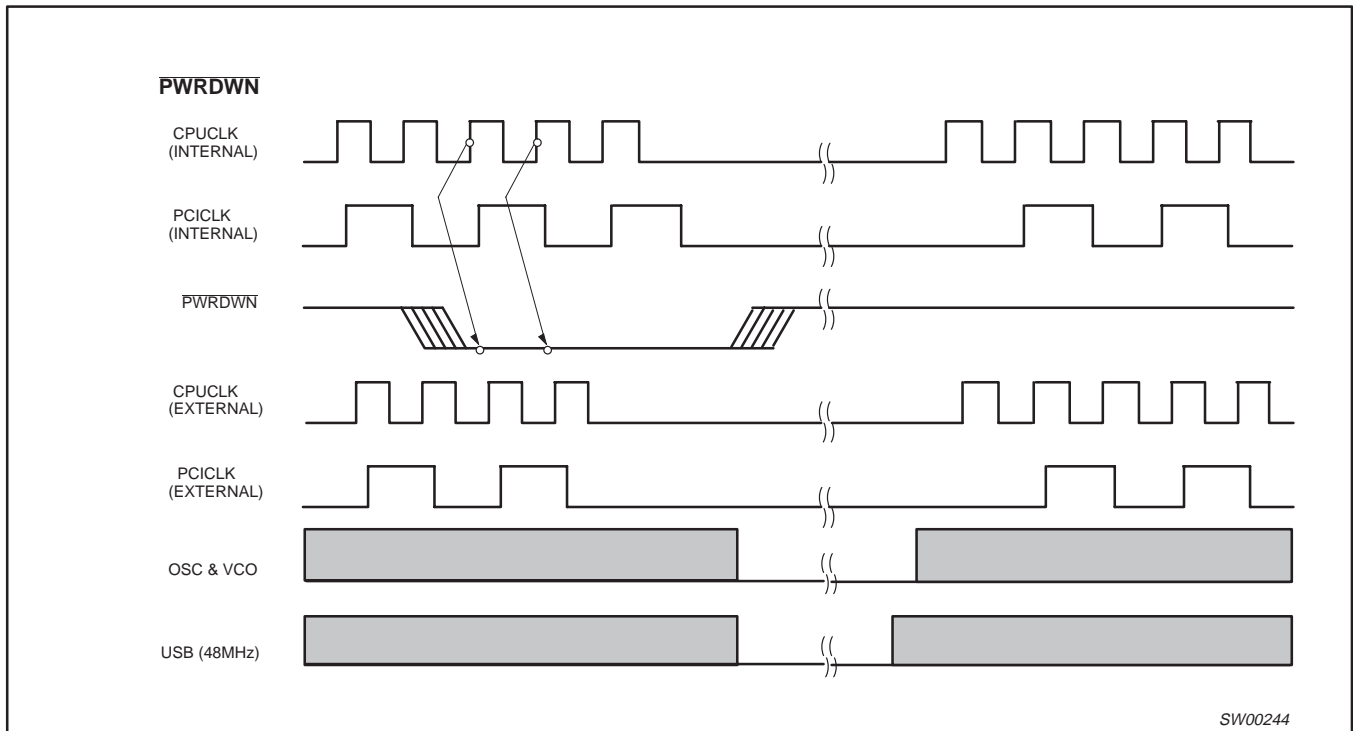


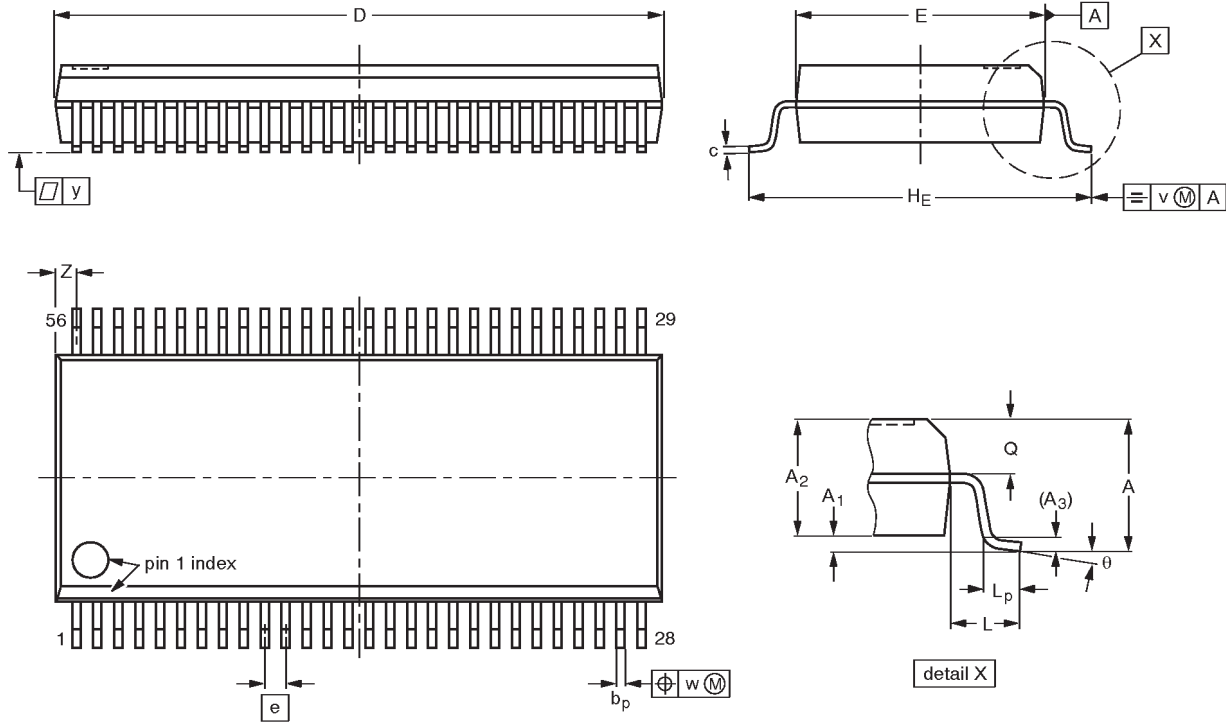
Figure 8. Power Management

CK98 (100/133MHz) Spread Spectrum System Clock Generator

PCK2010

SSOP56: plastic shrink small outline package; 56 leads; body width 7.5 mm

SOT371-1



DIMENSIONS (mm are the original dimensions)

UNIT	A max.	A <sub>1</sub>	A <sub>2</sub>	A <sub>3</sub>	b <sub>p</sub>	c	D <sup>(1)</sup>	E <sup>(1)</sup>	e	H <sub>E</sub>	L	L <sub>p</sub>	Q	v	w	y	Z <sup>(1)</sup>	θ
mm	2.8	0.4 0.2	2.35 2.20	0.25	0.3 0.2	0.22 0.13	18.55 18.30	7.6 7.4	0.635	10.4 10.1	1.4	1.0 0.6	1.2 1.0	0.25	0.18	0.1	0.85 0.40	8° 0°

Note

1. Plastic or metal protrusions of 0.25 mm maximum per side are not included.

OUTLINE VERSION	REFERENCES				EUROPEAN PROJECTION	ISSUE DATE
	IEC	JEDEC	EIAJ			
SOT371-1		MO-118AB				93-11-02 95-02-04

## CK98 (100/133MHz) Spread Spectrum System Clock Generator

PCK2010

**Data sheet status**

Data sheet status	Product status	Definition [1]
Objective specification	Development	This data sheet contains the design target or goal specifications for product development. Specification may change in any manner without notice.
Preliminary specification	Qualification	This data sheet contains preliminary data, and supplementary data will be published at a later date. Philips Semiconductors reserves the right to make changes at any time without notice in order to improve design and supply the best possible product.
Product specification	Production	This data sheet contains final specifications. Philips Semiconductors reserves the right to make changes at any time without notice in order to improve design and supply the best possible product.

[1] Please consult the most recently issued datasheet before initiating or completing a design.

**Definitions**

**Short-form specification** — The data in a short-form specification is extracted from a full data sheet with the same type number and title. For detailed information see the relevant data sheet or data handbook.

**Limiting values definition** — Limiting values given are in accordance with the Absolute Maximum Rating System (IEC 134). Stress above one or more of the limiting values may cause permanent damage to the device. These are stress ratings only and operation of the device at these or at any other conditions above those given in the Characteristics sections of the specification is not implied. Exposure to limiting values for extended periods may affect device reliability.

**Application information** — Applications that are described herein for any of these products are for illustrative purposes only. Philips Semiconductors make no representation or warranty that such applications will be suitable for the specified use without further testing or modification.

**Disclaimers**

**Life support** — These products are not designed for use in life support appliances, devices or systems where malfunction of these products can reasonably be expected to result in personal injury. Philips Semiconductors customers using or selling these products for use in such applications do so at their own risk and agree to fully indemnify Philips Semiconductors for any damages resulting from such application.

**Right to make changes** — Philips Semiconductors reserves the right to make changes, without notice, in the products, including circuits, standard cells, and/or software, described or contained herein in order to improve design and/or performance. Philips Semiconductors assumes no responsibility or liability for the use of any of these products, conveys no license or title under any patent, copyright, or mask work right to these products, and makes no representations or warranties that these products are free from patent, copyright, or mask work right infringement, unless otherwise specified.

Philips Semiconductors  
811 East Arques Avenue  
P.O. Box 3409  
Sunnyvale, California 94088-3409  
Telephone 800-234-7381

© Copyright Philips Electronics North America Corporation 1998  
All rights reserved. Printed in U.S.A.

print code

Date of release: 05-96

Document order number:

9397-750-04955

*Let's make things better.*