

PL500-15 Series 5mm LED Right Angle Modular Holder

Features

- *PL15 LED used for 3.8 mm Protrusion (PL500-15 Package)
- *Modular Holder, 2 Protrusion Levels
- *Modular Design makes it easy to Form Array
- *Low Current, Super & Ultra Bright and Bi-Color available
- *Available with Integrated Current Limiting Resistor for 5V or 12V Operation
- *High Light Output
- *Housing Material Black Nylon UL94V-0
- *Color Transparent (CT) Water Clear (WC) White Diffused (WD) Lens available
- *Ideal PC Board Indicator

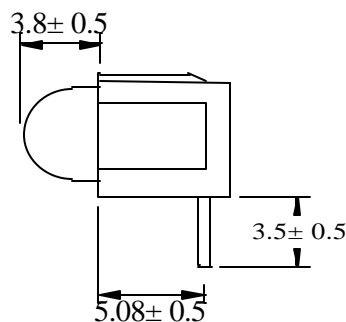
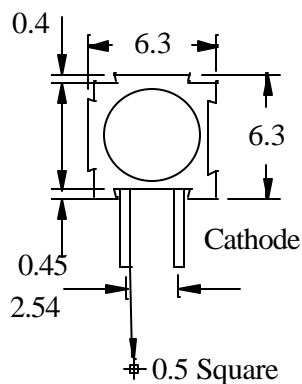
Absolute Maximum Ratings at T_A = 25 °C

Reverse Voltage (<100µA).....	5.0V
Max Forward Current	30mA
Peak Forward Current (1/10 Duty Cycle, 0.1ms Pulse Width)	100mA
Operating Temperature Range	-25°C to + 85°C
Storage Temperature Range	-25°C to +100°C
Soldering Temperature (1.6 mm below body).....	260° for 5 seconds

Electrical & Optical Characteristics at T_A = 25 °C

Part Number	Emitting Color	Material	Peak Wave Length	View Angle 2θ ½	Forward Voltage @20mA (V)		Lumious Intensity @20mA (mcd)	
					Typ	Max	Typ	Max
Lens Color Diffused			(nm)	Deg				
PL50015-1B02	Blue	GaN on SiC	430	38°	3.1	4.0	1.0	1.7
PL50015-1R24	Bright Red	GaP	700		2.1	3.0	2.5	4.1
PL50015-1R12	High Eff Red	GaAsP on GaP	635		2.1	3.0	14.0	23.2
PL50015-1G13	High Eff Green	GaP	567		2.1	3.0	12.0	20.0
PL50015-1Y01	Yellow	GaAsP on GaP	585		2.1	3.0	9.9	16.4
PL50015-1A02	Amber	GaAsP on GaP	610		2.1	3.0	14.0	23.2
PL50015-1O12	Orange	GaAsP on GaP	635		2.1	3.0	14.0	23.2

Package Dimensions are in **Millimeters** . Tolerance is ± 0.25mm unless otherwise specified.



PL500-15 Series 5mm 5V LED Right Angle Modular Holder

Features

- ***PL15 LED used for 3.8 mm Protrusion (PL500-15 Package)**
- *Modular Holder, 2 Protrusion Levels
- *Modular Design makes it easy to Form Array
- ***Low Current, Super & Ultra Bright and Bi-Color available**
- *Available with Integrated Current Limiting Resistor for **12V** Operation
- *High Light Output
- *Housing Material Black Nylon UL94V-0
- *Color Transparent (CT) Water Clear (WC) White Diffused (WD) Lens available
- *Ideal PC Board Indicator

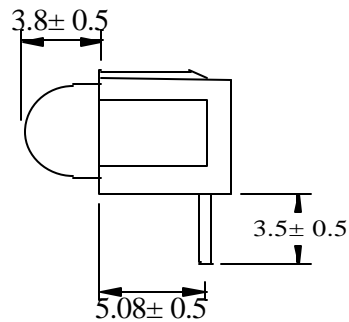
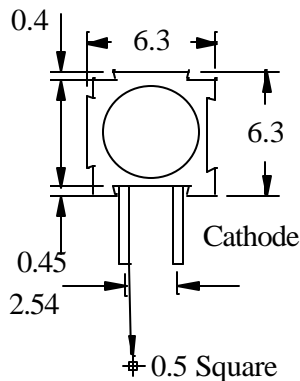
Absolute Maximum Ratings at T_A = 25 °C

Reverse Voltage (<100µA).....	5.0V
Max Forward Current	30mA
Peak Forward Current (1/10 Duty Cycle, 0.1ms Pulse Width)	100mA
Operating Temperature Range	-25°C to + 85°C
Storage Temperature Range	-25°C to +100°C
Soldering Temperature (1.6 mm below body).....	260° for 5 seconds

Electrical & Optical Characteristics at T_A = 25 °C

Part Number	Emitting Color	Material	Peak Wave Length	View Angle 2θ ½	Forward Voltage @20mA (V)		Lumious Intensity @20mA (mcd)	
					Typ	Max	Typ	Max
Lens Color Diffused			(nm)	Deg				
PL500-1R24-5V	Bright Red	GaP	700	38°	5.0	7.0	2.5	4.1
PL500-1R12-5V	High Eff Red	GaAsP on Gap	635		5.0	7.0	14.0	23.2
PL500-1G13-5V	High Eff Green	GaP	567		5.0	7.0	12.0	20.0
PL500-1Y01-5V	Yellow	GaAsP on GaP	585		5.0	7.0	9.9	16.4
PL500-1A02-5V	Amber	GaAsP on GaP	610		5.0	7.0	14.0	23.2
PL500-1O12-5V	Orange	GaAsP on GaP	635		5.0	7.0	14.0	23.2

Package Dimensions are in **Millimeters** . Tolerance is ± 0.25mm unless otherwise specified.



PL500-15 Series 5mm 12V LED Right Angle Modular Holder

Features

- *PL15 LED used for 3.8 mm Protrusion (PL500-15 {Package})
- *Modular Holder, 2 Protrusion Levels
- *Modular Design makes it easy to Form Array
- *Low Current, Super & Ultra Bright and Bi-Color available
- *Available with Integrated Current Limiting Resistor for 5V Operation
- *High Light Output
- *Housing Material Black Nylon UL94V-0
- *Color Transparent (CT) Water Clear (WC) White Diffused (WD) Lens available
- *Ideal PC Board Indicator

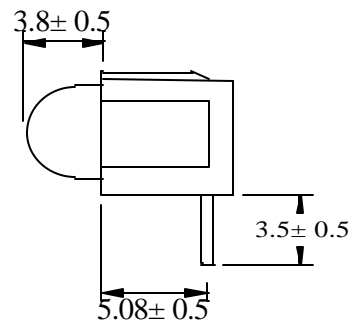
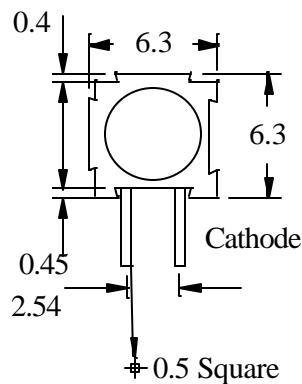
Absolute Maximum Ratings at T_A = 25 °C

Reverse Voltage (<100µA).....	5.0V
Max Forward Current	30mA
Peak Forward Current (1/10 Duty Cycle, 0.1ms Pulse Width)	100mA
Operating Temperature Range	-25°C to + 85°C
Storage Temperature Range	-25°C to +100°C
Soldering Temperature (1.6 mm below body).....	260° for 5 seconds

Electrical & Optical Characteristics at T_A = 25 °C

Part Number	Emitting Color	Material	Peak Wave Length	View Angle 2θ ½	Forward Voltage @20mA (V)		Lumious Intensity @20mA (mcd)	
					Typ	Max	Typ	Max
Lens Color Diffused			(nm)	Deg				
PL50015-1R24-12V	Bright Red	GaP	700	38°	12.0	15.0	2.5	4.1
PL50015-1R12-12V	High Eff Red	GaAsP on GaP	635		12.0	15.0	14.0	23.2
PL50015-1G13-12V	High Eff Green	GaP	567		12.0	15.0	12.0	20.0
PL50015-1Y01-12V	Yellow	GaAsP on GaP	585		12.0	15.0	9.9	16.4
PL50015-1A02-12V	Amber	GaAsP on GaP	610		12.0	15.0	14.0	23.2
PL50015-1O12-12V	Orange	GaAsP on GaP	635		12.0	15.0	14.0	23.2

Package Dimensions are in **Millimeters** . Tolerance is ± 0.25mm unless otherwise specified.



PL500-15 Series 5mm Low Current LED Right Angle Modular Holder

Features

- *PL15 LED used for 3.8 mm Protrusion
- *Modular Holder, 2 Protrusion Levels
- *Modular Design makes it easy to Form Array
- *Standard, Super & Ultra Bright and Bi-Color available
- *Available with Integrated Current Limiting Resistor for 5V and 12V Operation
- *High Light Output
- *Housing Material Black Nylon UL94V-0
- *Color Transparent (CT) Water Clear (WC) White Diffused (WD) Lens available
- *Ideal PC Board Indicator

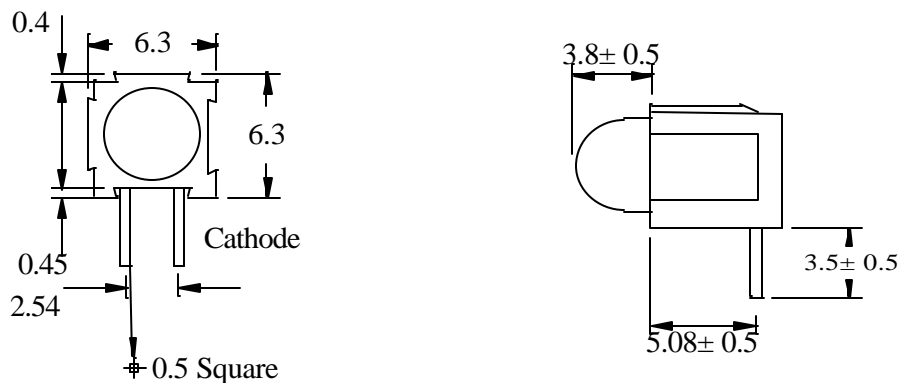
Absolute Maximum Ratings at T_A = 25 °C

Reverse Voltage (<100μA).....	5.0V
Max Forward Current	30mA
Peak Forward Current (1/10 Duty Cycle, 0.1ms Pulse Width)	100mA
Operating Temperature Range	-25°C to + 85°C
Storage Temperature Range	-25°C to +100°C
Soldering Temperature (1.6 mm below body).....	260° for 5 seconds

Electrical & Optical Characteristics at T_A = 25 °C

Part Number	Emitting Color	Material	Peak Wave Length	View Angle 2θ ½	Forward Voltage @2mA (V)		Lumious Intensity @2mA (mcd)	
					Typ	Max	Typ	Max
Lens Color Diffused			(nm)	Deg				
PL50015-1R12-LC	High Eff Red	GaAsP on Gap	635	38°	1.8	2.2	1.5	2.6
PL50015-1G13-LC	High Eff Green	GaP	567		1.8	2.2	1.3	2.2
PL50015-1Y01-LC	Yellow	GaAsP on GaP	585		1.8	2.2	1.1	1.8
PL50015-1O12-LC	Orange	GaAsP on GaP	635		1.8	2.2	1.5	2.6

Package Dimensions are in **Millimeters** . Tolerance is ± 0.25mm unless otherwise specified.



PL500-15 Series 5mm Bi-Color LED Right Angle Modular Holder

Features

- *PL15 LED used for 3.8 mm Protrusion
- *Modular Holder, 2 Protrusion Levels
- *Housing Material Black Nylon UL94V-2
- *Standard, Low Current, Super & Ultra Bright available
- *Available with Integrated Current Limiting Resistor for 5V or 12V Operation
- *High Light Output
- *Housing Material Black Nylon UL94V-0
- *Color Transparent (CT) Water Clear (WC) White Diffused (WD) Lens available
- *Ideal PC Board Indicator

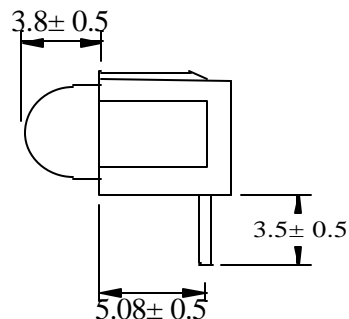
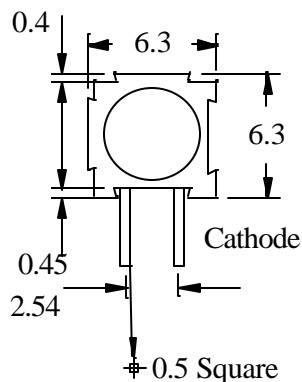
Absolute Maximum Ratings at T_A = 25 °C

Reverse Voltage (<100µA).....	5.0V
Max Forward Current.....	30mA
Peak Forward Current (1/10 Duty Cycle, 0.1ms Pulse Width).....	100mA
Operating Temperature Range	-25°C to + 85°C
Storage Temperature Range	-25°C to +100°C
Soldering Temperature (1.6 mm below body).....	260° for 5 seconds

Electrical & Optical Characteristics at T_A = 25 °C

Part Number	Emitting Color	Material	Peak Wave Length	View Angle 2θ ½	Forward Voltage @20mA (V)		Luminous Intensity @20mA (mcd)	
					Typ	Max	Typ	Typ
Lens Color Diffused			(nm)	Deg				
PL50015-1RG2115	Su Dark Red/Su Hi Eff Green	GaAlAs on GaAs/GaP	660/567	95°	1.7/2.1	3.0/2.6	90.0	65.0
PL50015-1RG2413	Bright Red/High Eff Green	GaP/GaP	700/567		2.1/2.1	3.0/2.6	3.0	13.0
PL50015-1RG1213	Hi-Eff Red/High Eff Green	GaAsP on GaP/GaP	635/567		2.1/2.1	2.6/2.6	15.0	13.0
PL50015-1RY2401	Bright Red/Yellow	Gap/GaAsP on Gap	700/585		2.1/2.1	3.0/2.6	3.0	11.0
PL50015-1RY1201	High Eff Red/Yellow	GaAsPon GaP/GaAsPon GaP	635/585		2.1/2.1	2.6/2.6	15.0	11.0
PL50015-1GR1312	High Eff Green/Yellow	GaP/GaAsP on GaP	567/585		2.1/2.1	2.6/2.6	13.0	11.0

Package Dimensions are in **Millimeters** . Tolerance is ± 0.25mm unless otherwise specified.



PL500 Series 5mm LED Right Angle Modular Holder

Features

- *PL25 LED used for 4.9 mm Protrusion (PL500 Package)
- *Modular Holder, 2 Protrusion Levels
- *Modular Design makes it easy to Form Array
- *Low Current, Super & Ultra Bright and Bi-Color available
- *Available with Integrated Current Limiting Resistor for 5V or 12V Operation
- *High Light Output
- *Housing Material Black Nylon UL94V-0
- *Color Transparent (CT) Water Clear (WC) White Diffused (WD) Lens available
- *Ideal PC Board Indicator

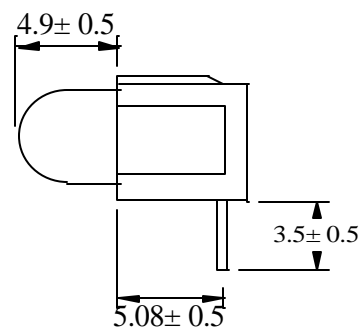
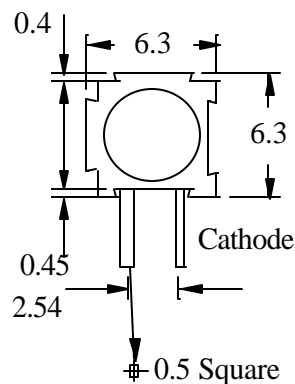
Absolute Maximum Ratings at T_A = 25 °C

Reverse Voltage (<100μA).....	5.0V
Max Forward Current	30mA
Peak Forward Current (1/10 Duty Cycle, 0.1ms Pulse Width)	100mA
Operating Temperature Range	-25°C to + 85°C
Storage Temperature Range	-25°C to +100°C
Soldering Temperature (1.6 mm below body).....	260° for 5 seconds

Electrical & Optical Characteristics at T_A = 25 °C

Part Number	Emitting Color	Material	Peak Wave Length	View Angle 2θ ½	Forward Voltage @20mA (V)		Lumious Intensity @20mA (mcd)	
					Typ	Max	Typ	Max
Lens Color Diffused			(nm)	Deg				
PL500-1R24	Bright Red	GaP	700	50°	2.1	3.0	2.5	4.1
PL500-1R12	High Eff Red	GaAsP on Gap	635		2.1	3.0	14.4	24.0
PL500-1G13	High Eff Green	GaP	567		2.1	3.0	12.4	20.7
PL500-1Y01	Yellow	GaAsP on GaP	585		2.1	3.0	10.3	17.1
PL500-1A02	Amber	GaAsP on GaP	610		2.1	3.0	14.4	24.0
PL500-1O12	Orange	GaAsP on GaP	635		2.1	3.0	14.4	24.0

Package Dimensions are in **Millimeters** . Tolerance is ± 0.25mm unless otherwise specified.



PL500 Series 5mm 5V LED Right Angle Modular Holder

Features

- *PL25 LED used for 4.9 mm Protrusion (PL500 Package)
- *Modular Holder, 2 Protrusion Levels
- *Modular Design makes it easy to Form Array
- *Low Current, Super & Ultra Bright and Bi-Color available
- *Available with Integrated Current Limiting Resistor for 12V Operation
- *High Light Output
- *Housing Material Black Nylon UL94V-0
- *Color Transparent (CT) Water Clear (WC) White Diffused (WD) Lens available
- *Ideal PC Board Indicator

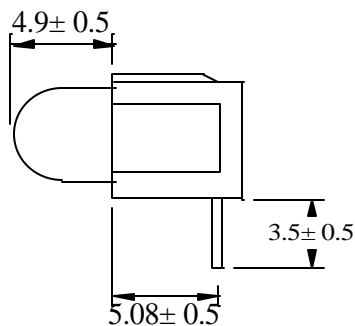
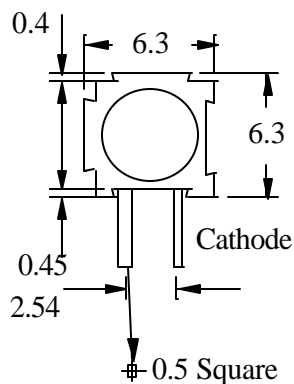
Absolute Maximum Ratings at T_A = 25 °C

Reverse Voltage (<100μA).....	5.0V
Max Forward Current	30mA
Peak Forward Current (1/10 Duty Cycle, 0.1ms Pulse Width)	100mA
Operating Temperature Range	-25°C to + 85°C
Storage Temperature Range	-25°C to +100°C
Soldering Temperature (1.6 mm below body).....	260° for 5 seconds

Electrical & Optical Characteristics at T_A = 25 °C

Part Number	Emitting Color	Material	Peak Wave Length	View Angle 2θ ½	Forward Voltage @20mA (V)		Lumious Intensity @20mA (mcd)	
					Typ	Max	Typ	Max
Lens Color Diffused			(nm)	Deg				
PL500-1R24-5V	Bright Red	GaP	700	50°	5.0	7.0	2.5	4.1
PL500-1R12-5V	High Eff Red	GaAsP on Gap	635		5.0	7.0	14.4	24.0
PL500-1G13-5V	High Eff Green	GaP	567		5.0	7.0	12.4	20.7
PL500-1Y01-5V	Yellow	GaAsP on GaP	585		5.0	7.0	10.3	17.1
PL500-1A02-5V	Amber	GaAsP on GaP	610		5.0	7.0	14.4	24.0
PL500-1O12-5V	Orange	GaAsP on GaP	635		5.0	7.0	14.4	24.0

Package Dimensions are in **Millimeters** . Tolerance is ± 0.25mm unless otherwise specified.



PL500 Series 5mm 12V LED Right Angle Modular Holder

Features

- *PL25 LED used for 4.9 mm Protrusion (PL500 Package)
- *Modular Holder, 2 Protrusion Levels
- *Modular Design makes it easy to Form Array
- *Low Current, Super & Ultra Bright and Bi-Color available
- *Available with Integrated Current Limiting Resistor for 5V Operation
- *High Light Output
- *Housing Material Black Nylon UL94V-0
- *Color Transparent (CT) Water Clear (WC) White Diffused (WD) Lens available
- *Ideal PC Board Indicator

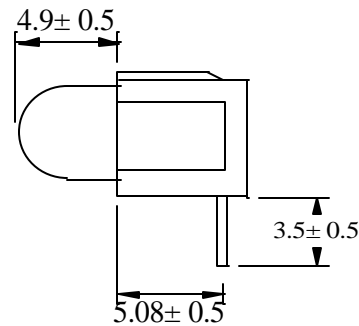
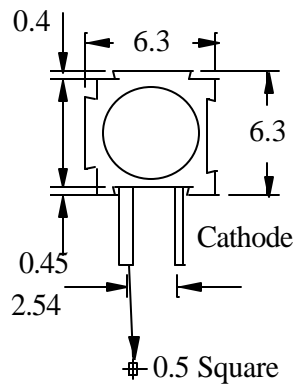
Absolute Maximum Ratings at T_A = 25 °C

Reverse Voltage (<100µA).....	5.0V
Max Forward Current	30mA
Peak Forward Current (1/10 Duty Cycle, 0.1ms Pulse Width)	100mA
Operating Temperature Range	-25°C to + 85°C
Storage Temperature Range	-25°C to +100°C
Soldering Temperature (1.6 mm below body).....	260° for 5 seconds

Electrical & Optical Characteristics at T_A = 25 °C

Part Number	Emitting Color	Material	Peak Wave Length	View Angle 2θ ½	Forward Voltage @20mA (V)		Lumious Intensity @20mA (mcd)	
					Typ	Max	Typ	Max
Lens Color Diffused			(nm)	Deg				
PL500-1R24-12V	Bright Red	GaP	700	50°	12.0	15.0	2.5	4.1
PL500-1R12-12V	High Eff Red	GaAsP on Gap	635		12.0	15.0	14.4	24.0
PL500-1G13-12V	High Eff Green	GaP	567		12.0	15.0	12.4	20.7
PL500-1Y01-12V	Yellow	GaAsP on GaP	585		12.0	15.0	10.3	17.1
PL500-1A02-12V	Amber	GaAsP on GaP	610		12.0	15.0	14.4	24.0
PL500-1O12-12V	Orange	GaAsP on GaP	635		12.0	15.0	14.4	24.0

Package Dimensions are in **Millimeters** . Tolerance is ± 0.25mm unless otherwise specified.



PL500 Series 5mm Low Current LED Right Angle Modular Holder

Features

- *PL25 LED used for 4.9 mm Protrusion (PL500 Package)
- *Modular Holder, 2 Protrusion Levels
- *Modular Design makes it easy to Form Array
- *Standard, Super & Ultra Bright and Bi-Color available
- *Available with Integrated Current Limiting Resistor for 5V and 12V Operation
- *High Light Output
- *Housing Material Black Nylon UL94V-0
- *Color Transparent (CT) Water Clear (WC) White Diffused (WD) Lens available
- *Ideal PC Board Indicator

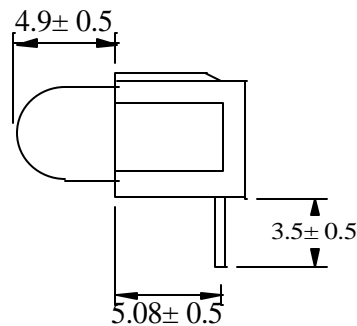
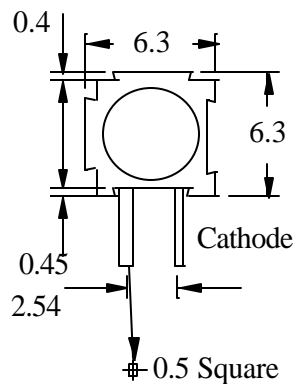
Absolute Maximum Ratings at T_A = 25 °C

Reverse Voltage (<100μA).....	5.0V
Max Forward Current	30mA
Peak Forward Current (1/10 Duty Cycle, 0.1ms Pulse Width)	100mA
Operating Temperature Range	-25°C to + 85°C
Storage Temperature Range	-25°C to +100°C
Soldering Temperature (1.6 mm below body).....	260° for 5 seconds

Electrical & Optical Characteristics at T_A = 25 °C

Part Number	Emitting Color	Material	Peak Wave Length	View Angle 2θ ½	Forward Voltage @2mA (V)		Lumious Intensity @2mA (mcd)	
					Typ	Max	Typ	Max
Lens Color Diffused			(nm)	Deg				
PL500-1R12-LC	High Eff Red	GaAsP on Gap	635	50°	1.8	2.2	1.6	2.7
PL500-1G13-LC	High Eff Green	GaP	567		1.8	2.2	1.4	2.3
PL500-1Y01-LC	Yellow	GaAsP on GaP	585		1.8	2.2	1.1	1.9
PL500-1O12-LC	Orange	GaAsP on GaP	635		1.8	2.2	1.6	2.7

Package Dimensions are in **Millimeters** . Tolerance is ± 0.25mm unless otherwise specified.



PL500 Series 5mm Bi-Color LED Right Angle Modular Holder

Features

- *PL25 LED used for 4.9 mm Protrusion (PL500 Package)
- *Modular Holder, 2 Protrusion Levels
- *Modular Design makes it easy to Form Array
- *Housing Material Black Nylon UL94V-2
- *Standard, Low Current, Super & Ultra Bright available
- *Available with Integrated Current Limiting Resistor for 5V or 12V Operation
- *High Light Output
- *Color Transparent (CT) Water Clear (WC) White Diffused (WD) Lens available
- *Ideal PC Board Indicator

Absolute Maximum Ratings at T_A = 25 °C

Reverse Voltage (<100µA).....	5.0V
Max Forward Current.....	30mA
Peak Forward Current (1/10 Duty Cycle, 0.1ms Pulse Width).....	100mA
Operating Temperature Range	-25°C to + 85°C
Storage Temperature Range.....	-25°C to +100°C
Soldering Temperature (1.6 mm below body).....	260° for 5 seconds

Electrical & Optical Characteristics at T_A = 25 °C

Part Number	Emitting Color	Material	Peak Wave Length	View Angle 2θ ½	Forward Voltage @20mA (V)		Luminous Intensity @20mA (mcd)	
					Typ	Max	Typ	Typ
Lens Color Diffused			(nm)	Deg	Typ	Max	Typ	Typ
PL500-1RG1213 PL500-1GR1312	Hi-Eff Red/High Eff Green High Eff Green/Hi-Eff Red	GaAsP on GaP/GaP GaP/GaAsP on GaP	635/567 567/635	32°	2.1/2.1 2.1/2.1	2.6/2.6 2.6/3.0	11.0 9.0	9.0 11.0

Package Dimensions are in **Millimeters**. Tolerance is ± 0.25mm unless otherwise specified.

