

**Octal 10/100 Mbit/s Switch Port-Controller**

**FEATURES**

- Monolithic intelligent octal 10/100 Ethernet Switch Port Controller.
- Integrates eight 10/100 MACs that connect to physical layer devices over standard IEEE 802.3u MII's.
- Supports the Gigabit EXACT Bus Protocol for device interconnect.
- May be used alone or in combination with other devices to build high density 10/100 switches.
- PM3390 EXACT Bus Switch Matrix allows non-blocking expansion up to 96 10/100 Mbit/s ports.
- Layer 2 line rate address lookup capability for all Ethernet port configurations supported.
- Store-and-forward switching using output associated input buffering for efficient memory use without Head Of Line (HOL) blocking.
- Supports 8,000 MAC addresses.
- 1022 multicast groups available. Bitmask per group defines membership.
- EXACT Bus is compatible with common serial devices for simple system stacking using coax or twinax cable.
- Support for IEEE 802.1D bridging and spanning tree algorithm in an external processor.
- Embedded SmartPath™ Processor supports value-added datapath operations.
- Two 32-bit memory interfaces for flexible combinations of SSRAM, SDRAM, and EPROM allows cost optimization of different applications.
- Programmable packet pattern matchers for identification of ARP, RARP, ICMP, and other protocol or packet types.

**MANAGEMENT**

- System Interface provided in CMI to support standard SNMP software packages, or the porting of existing management software.
- Hardware statistics collection supports RMON-I (9 groups), Ethernet MIB, and SNMP agent functions.

- All statistics registers and data structures accessible through the CMI.
- Supports the implementation of Spanning Tree (IEEE 802.1D) by exchanging BPDU packets on all ports.

**VLAN**

- Up to 4094 IEEE 802.1Q VLAN tags with support for 4094 FIDs.
- Up to 1022 active VLANs.
- Ingress filtering of packets.
- Shared and independent learning.
- GARP, GVRP, GMRP packet identification and forwarding to external CUP for processing.
- Tag insertion and removal for unicast and multicast packets.

**PRIORITY**

- Class of service supported via IEEE 802.1D (formerly 802.1p) with two levels of priority.

**VALUE ADD**

- Control and Management Interface provides standard interface for non real-time access to data structures (such as SNMP and RMON applications).

- A MAC bypass mode (ENTRE mode) allows a 800 Mbit/s full duplex access channel into the device with 32-bit FIFO bus.
- Allows connection of proprietary ASICs to an EXACT system.
- Supports ATM or Packet over SONET applications.
- Customer product differentiation is enabled by applications using CMI calls to leverage EXACT resources.

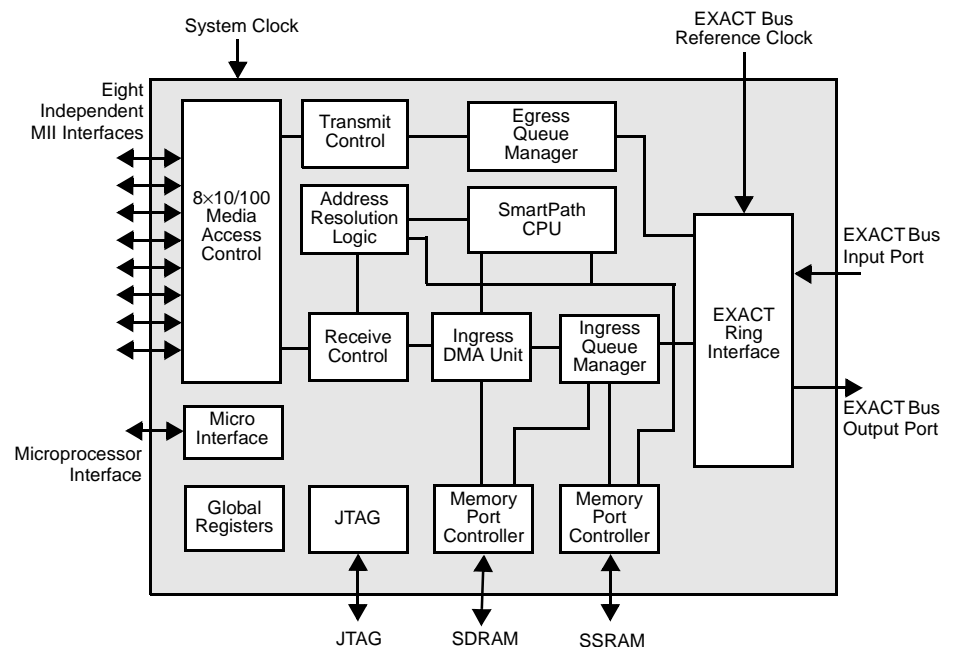
**COMPATIBILITY**

- Interworks with the PM3380 Gigabit Switch Port Controller.
- Interworks with the PM3390 8-Port EXACT Bus Switch Matrix.

**PACKAGING**

- Provides a standard 5-signal P1149.1 JTAG test port for boundary scan board test purposes.
- Implemented in low power 3.3 V, CMOS technology with 5 V tolerant MII interface.
- Available in a 352-pin Ball Grid Array (BGA) package.

**BLOCK DIAGRAM**



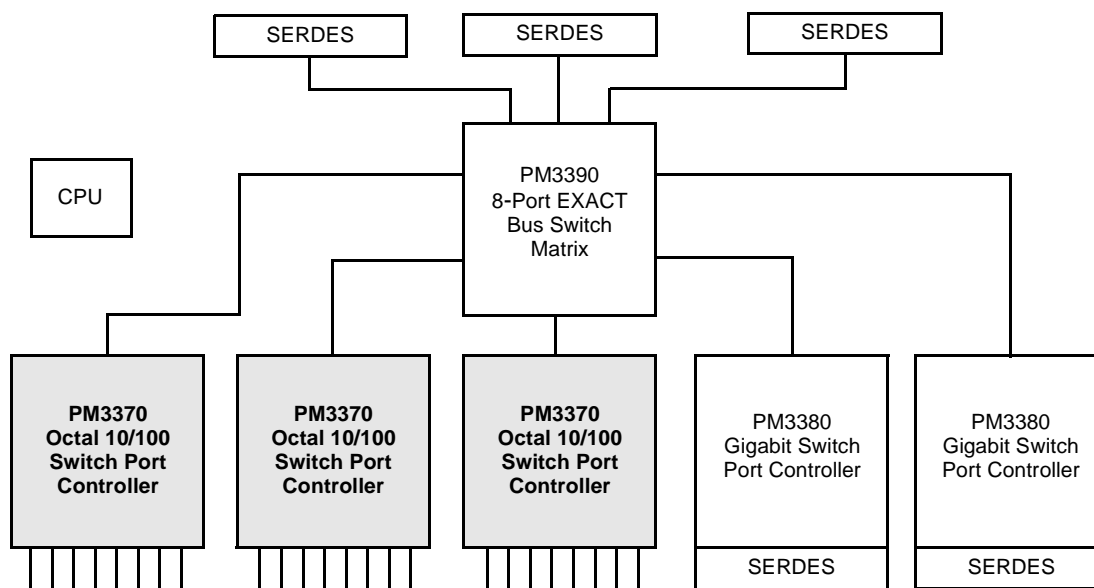
## Octal 10/100 Mbit/s Switch Port-Controller

### APPLICATIONS

- Ethernet Switching System Requiring High Density 10/100 Ports.
- Ethernet Switching Systems Capable of 10, 100, and 1000 Mbit/s Operation When Used with PM3380 and PM3390.

### TYPICAL APPLICATION

**24 × 10/100 + 2 × 1000 WITH 3 GIGABIT BACKPLANE PORTS**



Head Office:  
 PMC-Sierra, Inc.  
 #105 - 8555 Baxter Place  
 Burnaby, B.C. V5A 4V7  
 Canada  
 Tel: 604.415.6000  
 Fax: 604.415.6200

To order documentation,  
 send email to:  
[document@pmc-sierra.com](mailto:document@pmc-sierra.com)  
 or contact the head office,  
 Attn: Document Coordinator

All product documentation is available  
 on our web site at:  
<http://www.pmc-sierra.com>  
 For corporate information,  
 send email to:  
[info@pmc-sierra.com](mailto:info@pmc-sierra.com)

PMC-980235 (R6)  
 © 1999 PMC-Sierra, Inc.  
 September, 1999  
 SmartPath is a trademark of  
 PMC-Sierra, Inc.