



BlueMoon Universal

Next Generation
Bluetooth Chip Family

BlueMoon® Universal – the future generation.

The next step in Infineon's Bluetooth® wireless technology is about to become reality. A new scale in integration, miniaturization, and cost reduction will be the basis for the Bluetooth wireless connectivity to get into everybody's daily life.

The BlueMoon UniCellular 1 (PMB 8752) is perfectly suited for cellular phones offering high RF performance and lowest power consumption at unbeatable cost efficiency.

On top of that BlueMoon UniCellular 2 (PMB 8753) provides medium data rate capabilities up to 3 Mbit/s according to the upcoming Bluetooth Standard 2.0.

Applications

- Headset and Handsfree
- Dial-up networking
- Data transfer
- Synchronization
- Cordless telephony
- Advanced audio

Key Benefits

- True single chip
- Low power consumption
- Smallest size, highest integration, lowest BoM
- High data throughput
- Excellent RF performance

Note: The Bluetooth word mark is owned by the Bluetooth SIG, Inc. and any use of this mark by Infineon Technologies AG is under license. The BlueMoon trade mark is owned by Infineon Technologies AG.

www.infineon.com/bluetooth

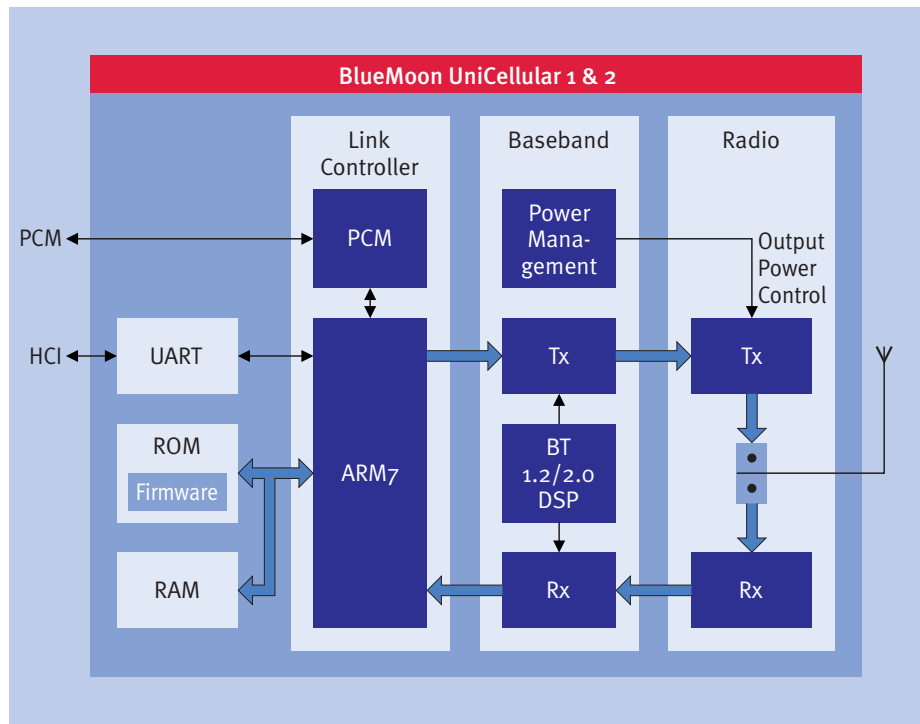
Wireless Communication

Features

- ARM7TDMI-S™ ARM® CPU
- 0.13 μm standard CMOS technology
- Bluetooth 1.2 Support
 - Adaptive frequency hopping
 - Extended SCO
 - Fast connection setup
- Bluetooth 2.0 support (PMB 8753 only)
 - Medium data rate up to 3 Mbit/s
- Firmware up to HCI in integrated ROM
- Lowest power consumption
 - < 40 mA peak in active mode
 - < 20 μA in low power mode
- High RF sensitivity (-90 dBm @ 0.1% BER)
- Dynamic control of output power
- Package options (lead-free/halogen-free)
 - 7 x 7 mm P-VQFN-48
 - 5 x 5 mm PG-WFLGA-56



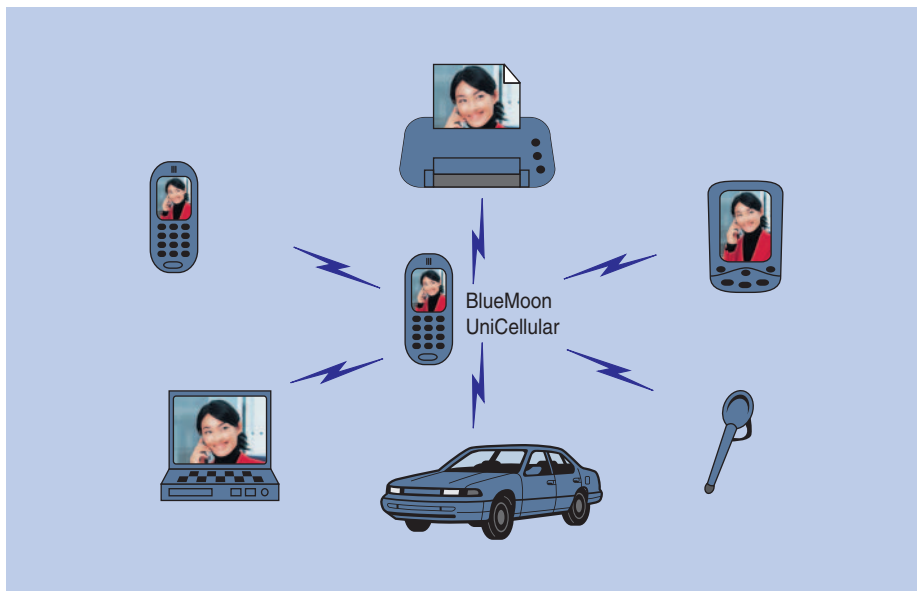
Never stop thinking.



Block Diagram

- ARM7
- Firmware in integrated ROM
- 2- or 4- wire UART-HCI (H4/H5)
- PCM audio (I²S mode; A-law, μ -law)
- Bluetooth 1.2 (e.g. AFH)
- Bluetooth 2.0 (PMB 8753 only)

Type	Sales Code	Package
BlueMoon UniCellular 1	PMB 8752	P-VQFN-48, PG-WFLGA-56
BlueMoon UniCellular 2	PMB 8753	P-VQFN-48, PG-WFLGA-56



Applications for the Personal Area Network (PAN)

- Mobile phone (voice & data)
- PC/PDA (data, sync, print)
- PC accessories (HID, print, imaging)
- Headset (advanced audio)

How to reach us:
<http://www.infineon.com>

Published by
Infineon Technologies AG,
 St.-Martin-Strasse 53,
 D-81669 München

© Infineon Technologies AG 2004.
 All Rights Reserved.

Template: pb_tmplt.fm/4/2004-01-01

Attention please!

The information herein is given to describe certain components and shall not be considered as a guarantee of characteristics. Terms of delivery and rights to technical change reserved.

We hereby disclaim any and all warranties, including but not limited to warranties of non-infringement, regarding circuits, descriptions and charts stated herein.

Information

For further information on technology, delivery terms and conditions and prices please contact your nearest Infineon Technologies Office.

Warnings

Due to technical requirements components may contain dangerous substances. For information on the types in question please contact your nearest Infineon Technologies Office.

Infineon Technologies Components may only be used in life-support devices or systems with the express written approval of Infineon Technologies, if a failure of such components can reasonably be expected to cause the failure of that life-support device or system, or to affect the safety or effectiveness of that device or system. Life support devices or systems are intended to be implanted in the human body, or to support and/or maintain and sustain and/or protect human life. If they fail, it is reasonable to assume that the health of the user or other persons may be endangered.

Ordering No. B134-H8133-G1-X-7600
 Printed in Germany
 PS 0204-5 NB