

TENTATIVE TOSHIBA BIPOLAR LINEAR INTEGRATED CIRCUIT SILICON MONOLITHIC

TA1267F

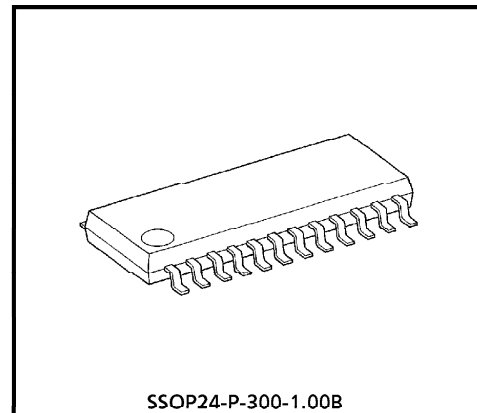
MULTISTANDARD PIF / SIF SYNCHRONOUS DEMODULATOR IC

TA1267F has PIF synchronous demodulator and PLL-FM demodulator.

It can handle all TV standards (except L-standard) with selectable 4 2nd-SIF inputs, with 2 gain mode audio amplifier and with 2 mode de-emphasis circuit.

FEATURES

- True synchronous PIF demodulator
- 3-stages gain controlled PIF amplifier
- High speed response PIF AGC detector
- Buzz reducer
- 2 video inputs for selecting sound-carrier traps
- Equalizer for video output
- AFT detector without extra reference circuit
- Wide range gain controlled SIF amplifier (control range : 70 [dB] Typ.)
- Alignment-free PLL-FM demodulator
- Selectable 4 2nd-SIF inputs, 2 gain mode audio amplifier (0dB / 6dB), and 2 mode de-emphasis circuit (50 μ s / 75 μ s)

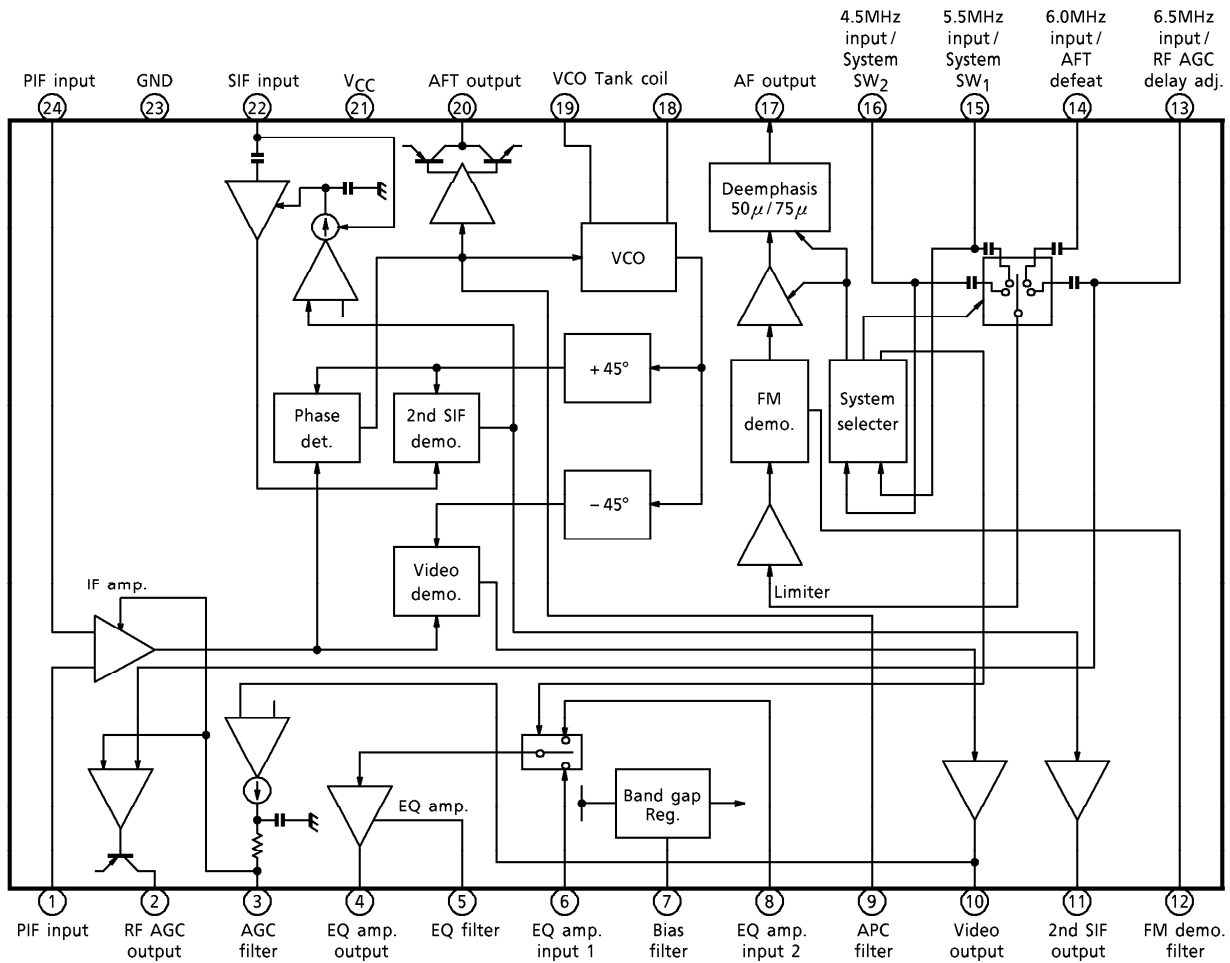


Weight : 0.32g (Typ.)

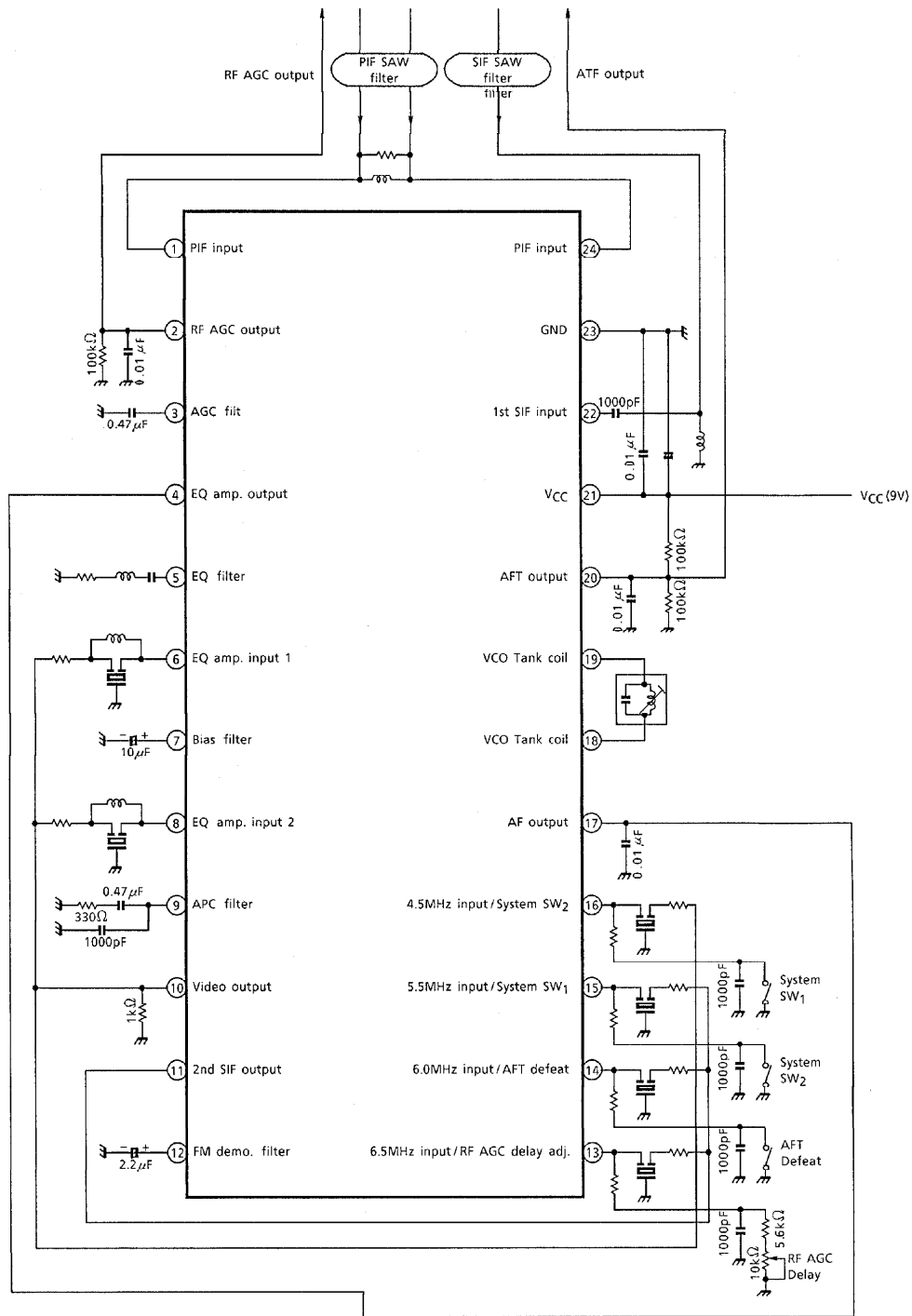
961001EBA1

- TOSHIBA is continually working to improve the quality and the reliability of its products. Nevertheless, semiconductor devices in general can malfunction or fail due to their inherent electrical sensitivity and vulnerability to physical stress. It is the responsibility of the buyer, when utilizing TOSHIBA products, to observe standards of safety, and to avoid situations in which a malfunction or failure of a TOSHIBA product could cause loss of human life, bodily injury or damage to property. In developing your designs, please ensure that TOSHIBA products are used within specified operating ranges as set forth in the most recent products specifications. Also, please keep in mind the precautions and conditions set forth in the TOSHIBA Semiconductor Reliability Handbook.
- The products described in this document are subject to foreign exchange and foreign trade control laws.
- The information contained herein is presented only as a guide for the applications of our products. No responsibility is assumed by TOSHIBA CORPORATION for any infringements of intellectual property or other rights of the third parties which may result from its use. No license is granted by implication or otherwise under any intellectual property or other rights of TOSHIBA CORPORATION or others.
- The information contained herein is subject to change without notice.

BLOCK DIAGRAM



APPLICATION CIRCUIT

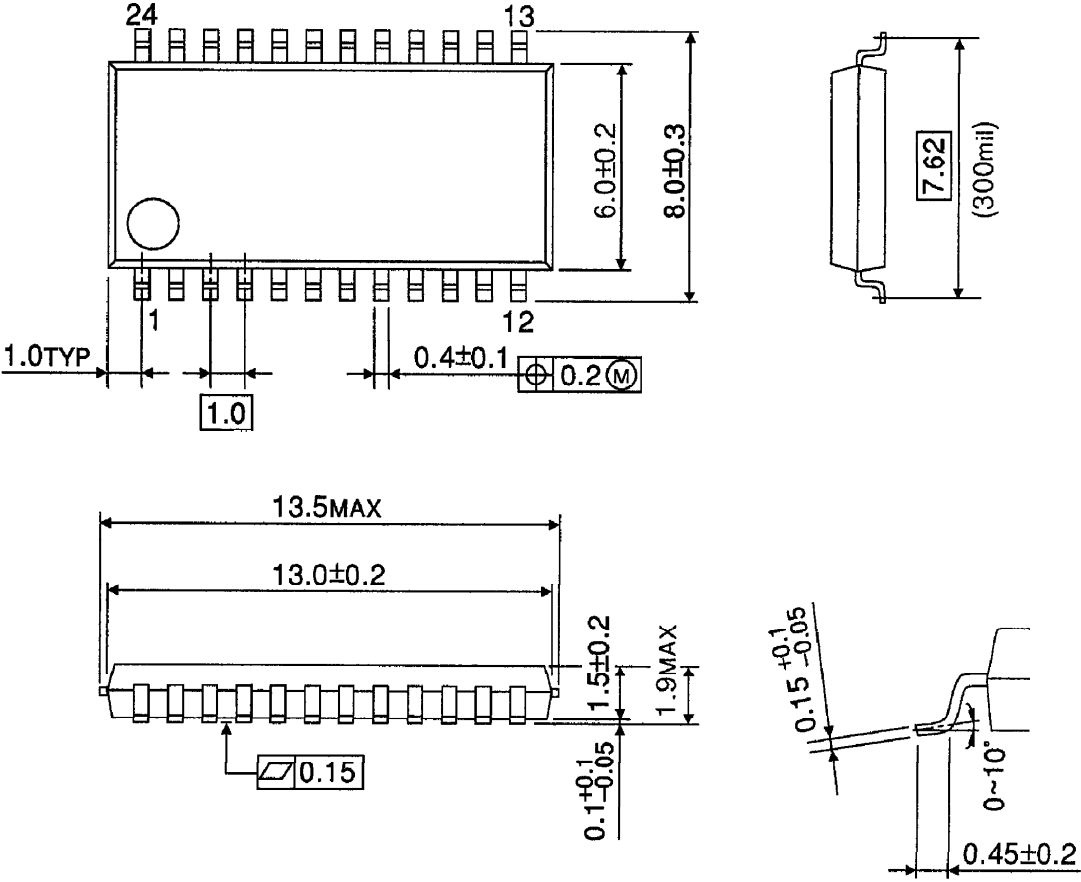


Video output
2V_{p-p}
(100%-
Sync top)

AF output

OUTLINE DRAWING
SSOP24-P-300-1.00B

Unit : mm



Weight : 0.32g (Typ.)