

TOSHIBA BIPOLAR LINEAR INTEGRATED CIRCUIT SILICON MONOLITHIC

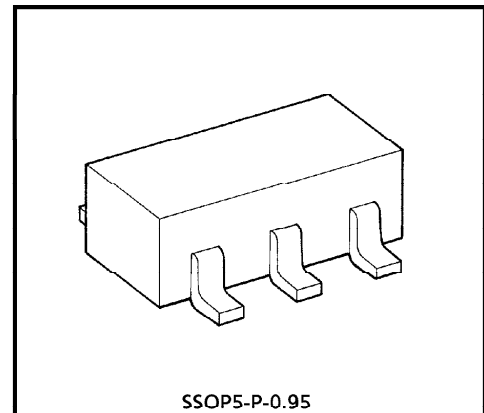
TA75S558F

DUAL OPERATIONAL AMPLIFIER

TA75S558F is a low-noise monolithic precision operational amplifier.

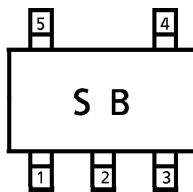
FEATURES

- Internal Frequency Compensation Type.
- Pin Compatible with TA75S01F.
- Wide Band Range : $f_T = 3\text{MHz}$ (Typ.)
- Noise Voltage Range : $V_{NI} = 2.5\mu\text{V}_{\text{rms}}$ (Typ.)
- Power Supply Range : $\pm 4\text{V}_{\text{DC}}$ to $\pm 18\text{V}_{\text{DC}}$
- Suitable Application for Active Filter Equalizer Amplifier and Headphone Amplifier.

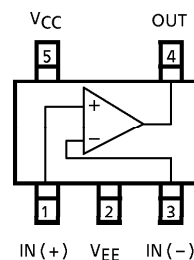


Weight : 0.014g (Typ.)

MARKING (TOP VIEW)



PIN CONNECTION (TOP VIEW)



961001EBA2

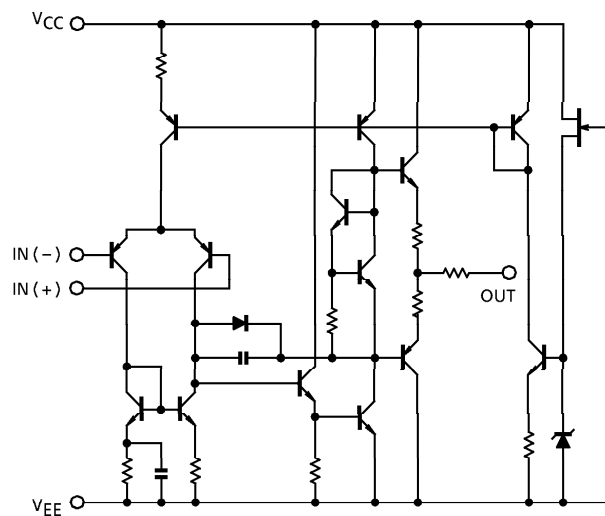
● TOSHIBA is continually working to improve the quality and the reliability of its products. Nevertheless, semiconductor devices in general can malfunction or fail due to their inherent electrical sensitivity and vulnerability to physical stress. It is the responsibility of the buyer, when utilizing TOSHIBA products, to observe standards of safety, and to avoid situations in which a malfunction or failure of a TOSHIBA product could cause loss of human life, bodily injury or damage to property. In developing your designs, please ensure that TOSHIBA products are used within specified operating ranges as set forth in the most recent products specifications. Also, please keep in mind the precautions and conditions set forth in the TOSHIBA Semiconductor Reliability Handbook.

● The products described in this document are subject to foreign exchange and foreign trade control laws.

● The information contained herein is presented only as a guide for the applications of our products. No responsibility is assumed by TOSHIBA CORPORATION for any infringements of intellectual property or other rights of the third parties which may result from its use. No license is granted by implication or otherwise under any intellectual property or other rights of TOSHIBA CORPORATION or others.

● The information contained herein is subject to change without notice.

EQUIVALENT CIRCUIT

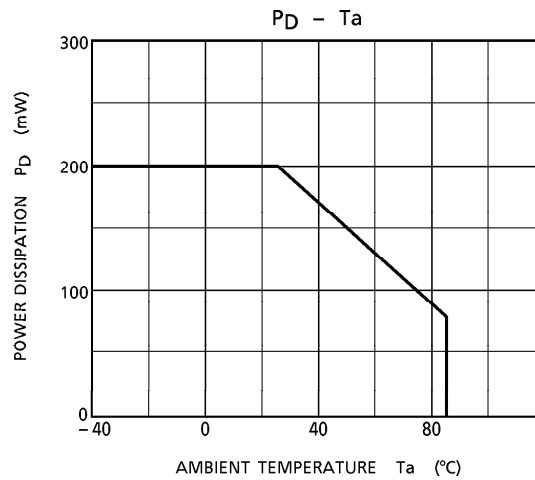
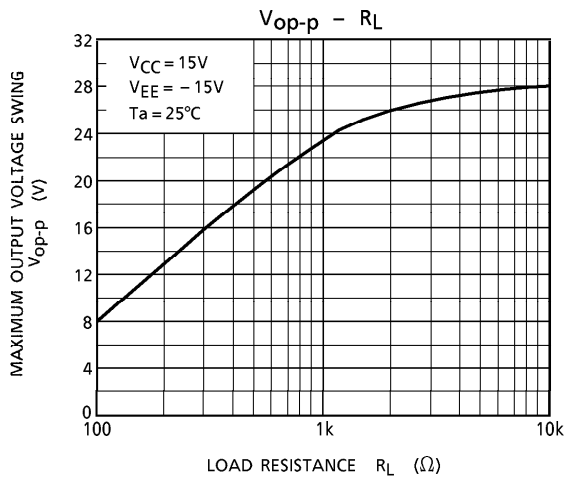
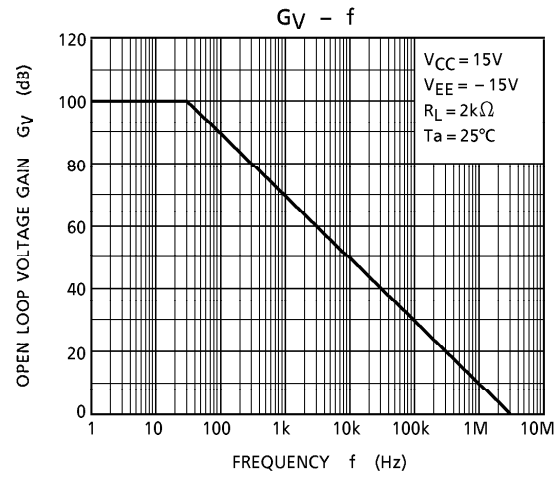
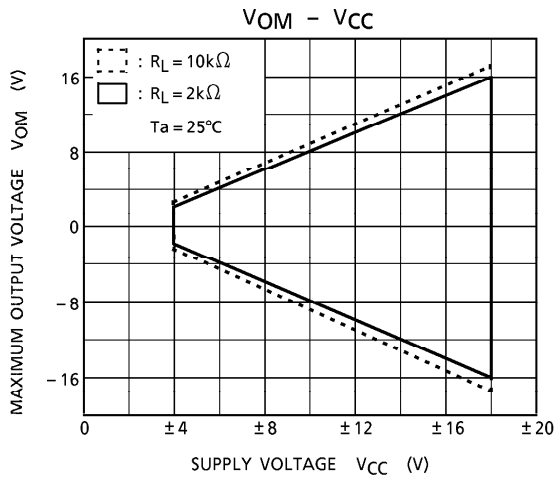


MAXIMUM RATINGS (Ta = 25°C)

CHARACTERISTIC	SYMBOL	RATING	UNIT
Supply Voltage	V_{CC}, V_{EE}	± 18	V
Differential Input Voltage	DV_{IN}	± 30	V
Input Voltage	V_{IN}	$V_{EE} \sim V_{CC}$	V
Power Dissipation	P_D	200	mW
Operating Temperature	T_{opr}	-40~85	°C
Storage Temperature	T_{stg}	-55~125	°C

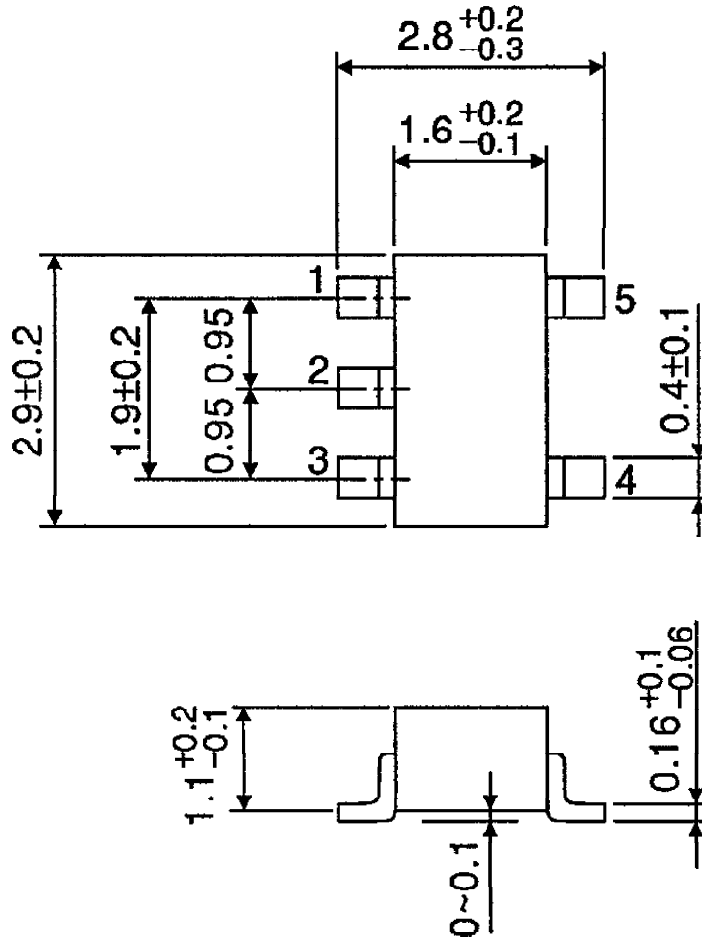
ELECTRICAL CHARACTERISTICS ($V_{CC} = 15V$, $V_{EE} = -15V$, $T_a = 25^\circ C$)

CHARACTERISTIC	SYMBOL	TEST CIR-CUIT	TEST CONDITION	MIN.	TYP.	MAX.	UNIT
Input Offset Voltage	V_{IO}	—	$R_g \leq 10k\Omega$	—	0.5	6	mV
Input Offset Current	I_{IO}	—	—	—	5	200	nA
Input Bias Current	I_I	—	—	—	60	500	nA
Common Mode Input Voltage	CMV_{IN}	—	—	± 12	± 14	—	V
Maximum Output Voltage	V_{OM}	—	$R_L = 10k\Omega$	± 12	± 14	—	V
	V_{OMR}	—	$R_L = 2k\Omega$	± 10	± 13	—	
Source Current	I_{source}	—	—	—	40	—	mA
Sink Current	I_{sink}	—	—	—	40	—	mA
Voltage Gain (Open Loop)	G_v	—	$V_{OUT} = \pm 10V$, $R_L = 2k\Omega$	86	100	—	dB
Common Mode Input Signal Rejection Ratio	CMRR	—	$R_g \leq 10k\Omega$	70	90	—	dB
Supply Voltage Rejection Ratio	SVRR	—	$R_g \leq 10k\Omega$	—	30	150	$\mu V/V$
Slew Rate	SR	—	$G_v = 1$, $R_L = 2k\Omega$	—	1.0	—	$V/\mu s$
Unity Gain Cross Frequency	f_T	—	—	—	3.0	—	MHz
Supply Current	I_{CC}	—	—	—	2.5	4.0	mA
Equivalent Input Noise Voltage	V_{NI}	—	$R_s = 1k\Omega$, $f = 30Hz \sim 30kHz$	—	2.5	—	μV_{rms}



OUTLINE DRAWING
SSOP5-P-0.95

Unit : mm



Weight : 0.014g (Typ.)