

Features

- Wavelength : 785 nm (Typ.)
- Low threshold current : $I_{th} = 30$ mA (Typ.)
- Beam Number : 2
- Beam Distance : 100 μ m
- Small package : ϕ 5.6mm

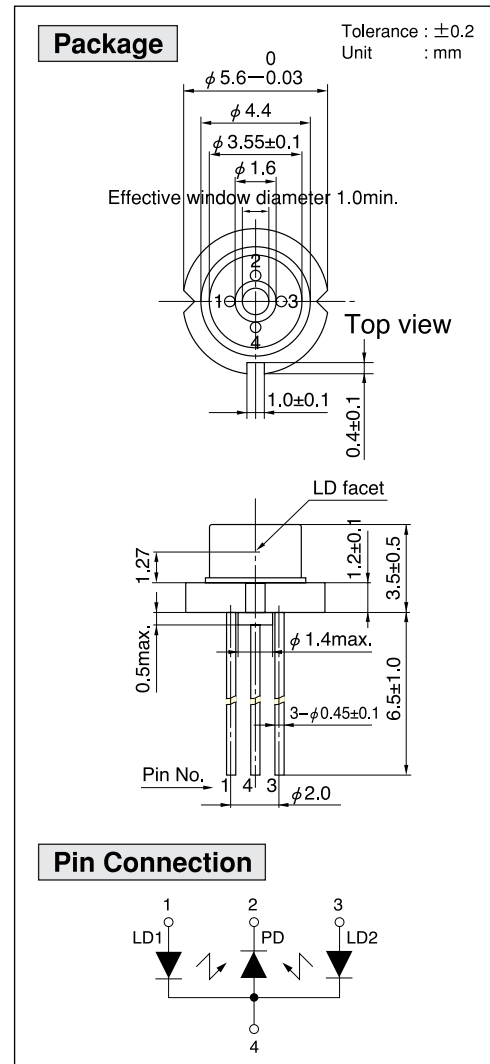
Applications

- Laser beam printer (LBP)

Absolute Maximum Ratings

($T_c = 25^\circ\text{C}$)

Parameter		Symbol	Ratings	Unit
Light Output	CW	P_o	15 x 2	mW
Reverse Voltage	LD	V_R	2	V
	PD		30	
Operating Temperature		T_{opr}	-10 to +60	$^\circ\text{C}$
Storage Temperature		T_{stg}	-40 to +85	$^\circ\text{C}$



Electrical and Optical Characteristics ^{1) 2)}

($T_c = 25^\circ\text{C}$)

Parameter		Symbol	Condition	Min.	Typ.	Max.	Unit
Threshold Current		I_{th}	$P_o = 15\text{mW}$	—	30	40	mA
Operating Current		I_{op}	$P_o = 15\text{mW}$	—	55	65	mA
Operating Voltage		V_{op}	$P_o = 15\text{mW}$	—	1.8	2.5	V
Lasing Wavelength		λ_p	$P_o = 15\text{mW}$	775	785	795	nm
Beam Divergence ³⁾	Perpendicular	θ_{\perp}	$P_o = 15\text{mW}$	22	25	30	$^\circ$
	Parallel	θ_{\parallel}	$P_o = 15\text{mW}$	6	8	10	$^\circ$
Off Axis Angle	Perpendicular	$\Delta\theta_{\perp}$	—	—	—	± 3	$^\circ$
	Parallel	$\Delta\theta_{\parallel}$	—	—	—	± 3	$^\circ$
Differential Efficiency		dP_o/dI_{op}	—	0.4	0.6	0.8	mW/mA
Monitoring Output Current		I_m	$P_o = 15\text{mW}$	0.2	0.4	—	mA

1) Initial values 2) All the above values are evaluated with Tottori Sanyo's measuring apparatus 3) Full angle at half maximum
 Note : The above product specifications are subject to change without notice.