

**Features**

- Fast response—7 ns
- Inputs tolerate large overdrives with no speed nor bias current penalties
- Propagation delay is relatively constant with variations of input Slew Rate, overdrive, temperature, and supply voltage
- Output provides proper CMOS or TTL logic levels
- Hysteresis is available on-chip
- Large voltage gain—8000 V/V
- Not oscillation-prone
- Can detect 4 ns glitches
- MIL-STD-883 Rev. C compliant

**Applications**

- Pin receiver for automatic test equipment
- Data communications line receiver
- Frequency counter input
- Pulse squarer

**Ordering Information**

| Part No. | Temp. Range  | Package      | Outline # |
|----------|--------------|--------------|-----------|
| EL2252CN | 0°C to +75°C | 14-Pin P-DIP | MDP0031   |
| EL2252CM | 0°C to +75°C | 20-Lead SOL  | MDP0027   |

**General Description**

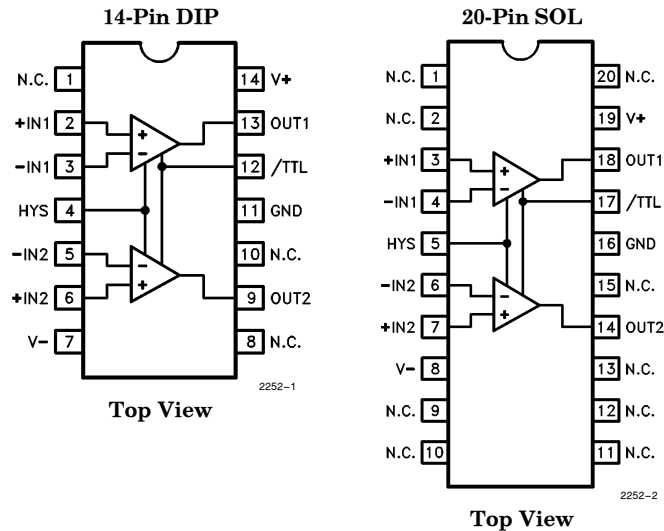
The EL2252 dual comparator replaces the traditional input buffer + attenuator + ECL comparator + ECL to TTL translator circuit blocks used in digital equipment. The EL2252 provides a quick 7 ns propagation delay while complying with  $\pm 10V$  inputs. Input accuracy and propagation delay is maintained even with input signal Slew Rates as great as  $4000 V/\mu s$ . The EL2252 can run on supplies as low as  $-5.2V$  and  $+9V$  and comply with ECL and CMOS inputs, or use supplies as great as  $\pm 18V$  for much greater input range.

The EL2252 has a /TTL pin which, when grounded, restricts the output  $V_{OH}$  to a TTL swing to minimize propagation delay. When left open, the output  $V_{OH}$  increases to a valid CMOS level.

The comparators are well behaved and have little tendency to oscillate over a variety of input and output source and load impedances. They do not oscillate even when the inputs are held in the linear range of the device. To improve output stability in the presence of input noise, an internal 60 mV of hysteresis is available by connecting the HYS pin to  $V-$ .

Elantec's products and facilities comply with MIL-I-45208A, and other applicable quality specifications. For information on Elantec's processing, see Elantec document, QRA-1; "Elantec's Processing, Monolithic Integrated Circuits".

**Connection Diagrams**



Note: All information contained in this data sheet has been carefully checked and is believed to be accurate as of the date of publication; however, this data sheet cannot be a "controlled document". Current revisions, if any, to these specifications are maintained at the factory and are available upon your request. We recommend checking the revision level before finalization of your design documentation. Patent pending.

# EL2252C

## Dual 50 MHz Comparator/Pin Receiver

### Absolute Maximum Ratings ( $T_A = 25^\circ\text{C}$ )

|   |       |                                     |  |
|---|-------|-------------------------------------|--|
| Voltage between $V+$ and $V-$               | 36V   | Internal Power Dissipation          | See Curves                                 |
| Voltage at $V+$                             | 18V   | Operating Ambient Temperature Range | $-25^\circ\text{C}$ to $+85^\circ\text{C}$ |
| Voltage between $-IN$ and $+IN$ pins        | 36V   | Operating Junction Temperature      | $150^\circ\text{C}$                        |
| Output Current                              | 12 mA | Storage Temperature Range           | $-65^\circ$ to $+150^\circ\text{C}$        |
| Current into $+IN$ , $-IN$ , HYS<br>or /TTL | 5 mA  |                                     |  |

#### Important Note:

All parameters having Min/Max specifications are guaranteed. The Test Level column indicates the specific device testing actually performed during production and Quality inspection. Elantec performs most electrical tests using modern high-speed automatic test equipment, specifically the LTX77 Series system. Unless otherwise noted, all tests are pulsed tests, therefore  $T_J = T_C = T_A$ .

| Test Level | Test Procedure  |
|------------|---|
| I          | 100% production tested and QA sample tested per QA test plan QCX0002.   |
| II         | 100% production tested at $T_A = 25^\circ\text{C}$ and QA sample tested at $T_A = 25^\circ\text{C}$ , $T_{MAX}$ and $T_{MIN}$ per QA test plan QCX0002. |
| III        | QA sample tested per QA test plan QCX0002.  |
| IV         | Parameter is guaranteed (but not tested) by Design and Characterization Data.   |
| V          | Parameter is typical value at $T_A = 25^\circ\text{C}$ for information purposes only.   |

### DC Electrical Characteristics $V_S = \pm 15\text{V}$ ; HYS and /TTL grounded; $T_A = 25^\circ\text{C}$ unless otherwise specified

| Parameter      | Description   | Temp               | Min  | Typ  | Max | Test Level | Units                  |
|----------------|---|--------------------|------|------|-----|------------|------------------------|
|                |   |                    |      |      |     | EL2252C    |                        |
| $V_{OS}$       | Input Offset Voltage  | $25^\circ\text{C}$ |      | 1    | 9   | I          | mV                     |
|                |   | Full               |      |      | 13  | III        | mV                     |
| $TCV_{OS}$     | Average Offset Voltage Drift                                      | Full               |      | 7    |     | V          | $\mu\text{V}/\text{C}$ |
| $I_B$          | Input Bias Current at Null  | $25^\circ\text{C}$ |      | 6    | 16  | I          | $\mu\text{A}$          |
|                |   | Full               |      |      | 21  | III        | $\mu\text{A}$          |
| $I_{OS}$       | Input Offset Current  | $25^\circ\text{C}$ |      | 0.2  | 1   | I          | $\mu\text{A}$          |
|                |   | Full               |      |      | 2   | III        | $\mu\text{A}$          |
| $R_{IN, diff}$ | Input Differential Resistance                                     | $25^\circ\text{C}$ |      | 30   |     | V          | $\text{k}\Omega$       |
| $R_{IN, comm}$ | Input Common-Mode Resistance                                      | $25^\circ\text{C}$ |      | 10   |     | V          | $\text{M}\Omega$       |
| $C_{IN}$       | Input Capacitance   | $25^\circ\text{C}$ |      | 2    |     | V          | pF                     |
| $V_{CM+}$      | Positive Common-Mode Input Range                                  | Full               | 10   | 13   |     | II         | V                      |
| $V_{CM-}$      | Negative Common-Mode Input Range                                  | Full               | -9   | -12  |     | II         | V                      |
| $A_{VOL}$      | Large Signal Voltage Gain<br>$V_O = 0.8\text{V}$ to $2.0\text{V}$ | $25^\circ\text{C}$ | 4000 | 8000 |     | I          | V/V                    |
|                |   | Full               | 3000 |      |     | III        | V/V                    |

# EL2252C

## Dual 50 MHz Comparator/Pin Receiver

### DC Electrical Characteristics

$V_S = \pm 15V$ ; HYS and /TTL grounded;  $T_A = 25^\circ C$  unless otherwise specified — Contd.

| Parameter | Description   | Temp | Min  | Typ | Max | Test Level | Units |
|-----------|---|------|------|-----|-----|------------|-------|
|           |   |      |      |     |     | EL2252C    |       |
| CMRR      | Common-Mode Rejection Ratio<br>(Note 1)                   | Full | 70   | 95  |     | II         | dB    |
| PSRR      | Power-Supply Rejection Ratio<br>(Note 2)                  | Full | 70   | 90  |     | II         | dB    |
| $V_{HYS}$ | Peak-to-Peak Input Hysteresis<br>with HYS connected to V- | 25°C |      | 60  |     | V          | mV    |
| $V_{OH}$  | High Level Output, CMOS Mode                              | Full | 4.0  | 4.6 | 5.1 | II         | V     |
|           | TTL Mode  | Full | 2.4  | 2.7 | 3.2 | II         | V     |
| $V_{OL}$  | Low Level Output, $I_1 = 0$                               | Full | -0.2 | 0.2 | 0.8 | II         | V     |
|           | $I_1 = 5\text{ mA}$                                       | Full | -0.2 | 0.4 | 0.8 | II         | V     |
| $I_{S+}$  | Positive Supply Current                                   | Full |      | 16  | 19  | II         | mA    |
| $I_{S-}$  | Negative Supply Current                                   | Full |      | 17  | 20  | II         | mA    |

### AC Electrical Characteristics

$V_S = \pm 15V$ ;  $C_L = 10\text{ pF}$ ;  $T_A = 25^\circ C$ ; TTL output threshold is 1.4V, CMOS output threshold is 2.5V; unless otherwise specified

| Parameter          | Description  | Min | Typ  | Max | Test Level | Units |
|--------------------|--|-----|------|-----|------------|-------|
|                    |  |     |      |     | EL2252C    |       |
| $T_{PD+}, T_{PD-}$ | Input to Output Propagation Delay,<br>$0 < V_{IN} < 5V$ , 500 mV Overdrive,<br>2000 V/ $\mu s$ Input Slew Rate<br>TTL Output Swing |     | 6    | 9   | III        | ns    |
|                    | CMOS Output Swing  |     | 8    |     | V          | ns    |
| $T_{PD+}, T_{PD-}$ | Input to Output Propagation Delay,<br>$-2V < V_{IN} < -1V$ , 500 mV Overdrive,<br>2 ns Input Rise Time<br>TTL Output Swing         |     | 5    | 9   | III        | ns    |
|                    | CMOS Output Swing  |     | 9    |     | V          | ns    |
| $T_{PD\text{SYM}}$ | Propagation Delay Change between<br>Positive and Negative Input Slopes   |     | 1.25 |     | V          | ns    |

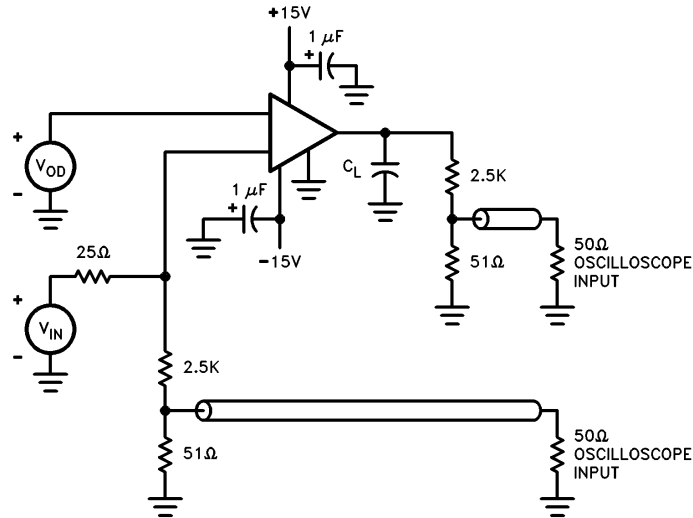
Note 1: Two tests are performed with  $V_{CM} = 0V$  to  $-9V$  and  $V_{CM} = 0V$  to  $10V$ .

Note 2: Two tests are performed with  $V_+ = 15V$ ,  $V_-$  changed from  $-10V$  to  $-15V$ ;  
 $V_- = -15V$ ,  $V_+$  changed from  $10V$  to  $15V$ .

# EL2252C

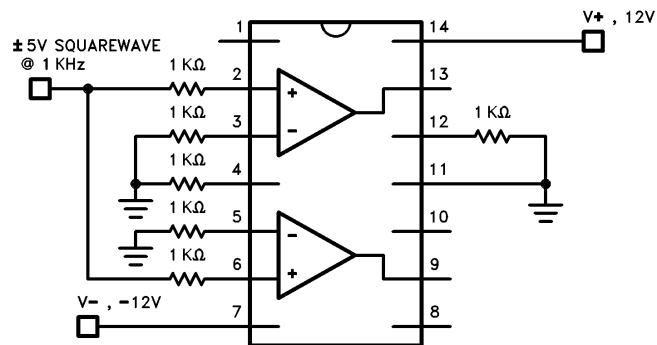
## Dual 50 MHz Comparator/Pin Receiver

### AC Test Circuit



2252-3

### Burn-In Circuit

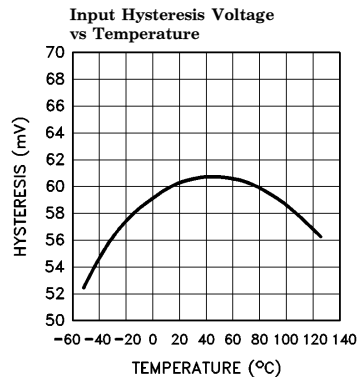
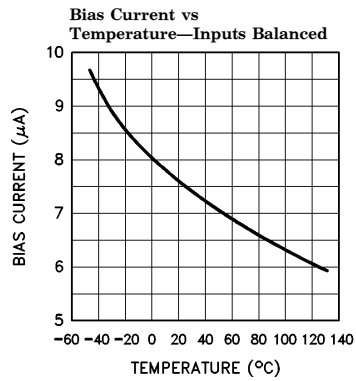
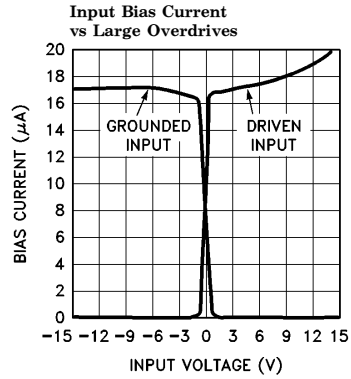
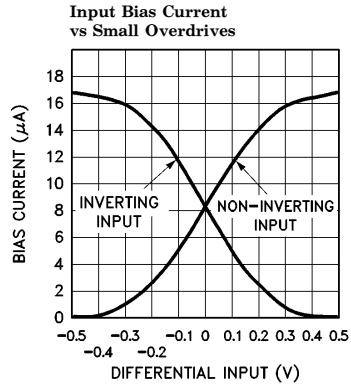


2252-4

# EL2252C

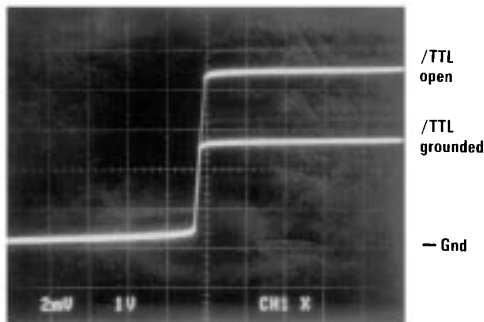
## Dual 50 MHz Comparator/Pin Receiver

### Typical Performance Curves



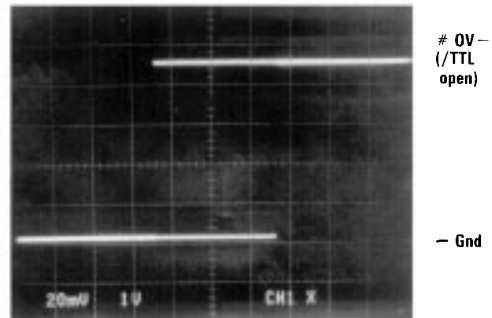
2252-5

**Input/Output Transfer Function—HYS Open**



2252-6

**Input/Output Transfer Function—HYS Connected to V**

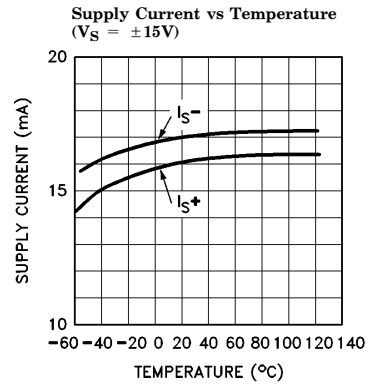
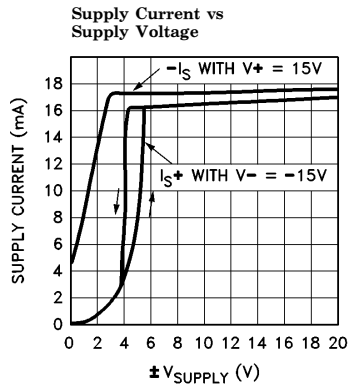


2252-7

# EL2252C

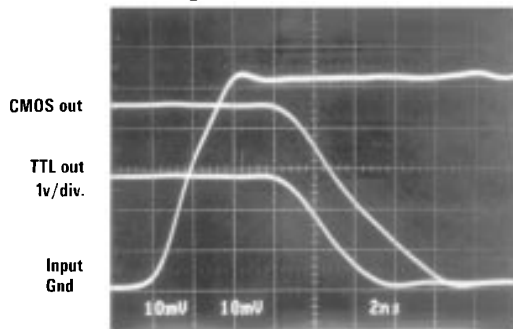
## Dual 50 MHz Comparator/Pin Receiver

### Typical Performance Curves — Contd.



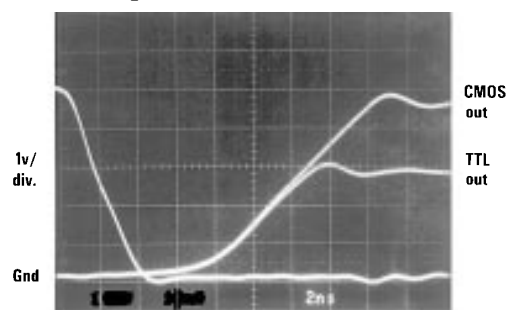
2252-8

Output Delay—0.5V Overdrive



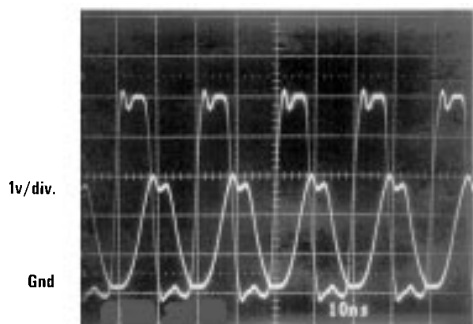
2252-9

Output Delay—0.5V Overdrive



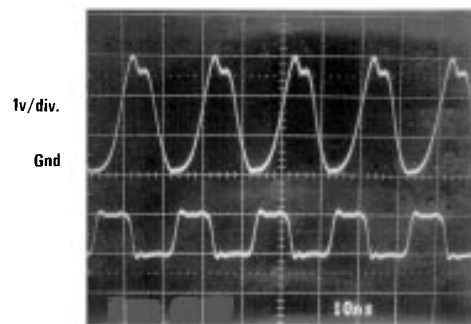
2252-10

Output with 50 MHz CMOS Input



2252-11

Output with 50 MHz ECL Input



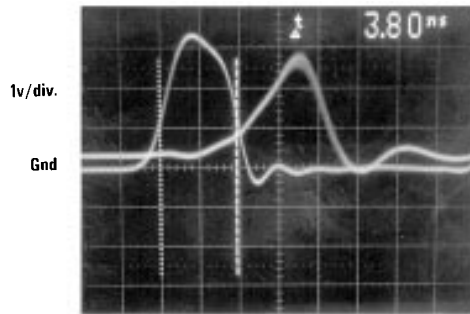
2252-12

# EL2252C

## Dual 50 MHz Comparator/Pin Receiver

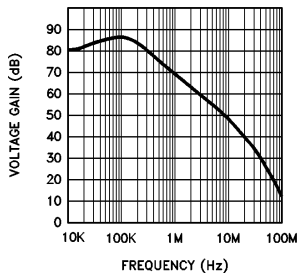
### Typical Performance Curves — Contd.

4 ns TTL Glitch Detection

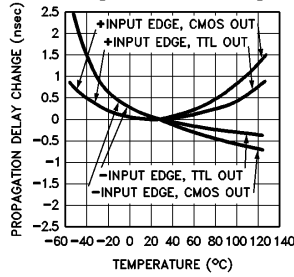


2252-13

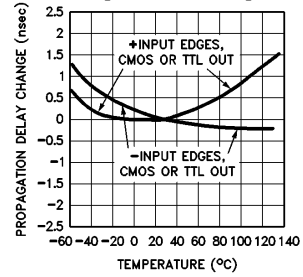
Gain vs Frequency



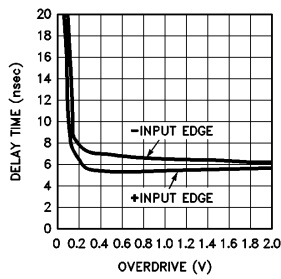
Propagation Delay vs Temperature, CMOS Input



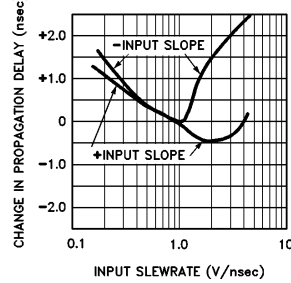
Propagation Delay vs Temperature, ECL Input



Propagation Delay vs Overdrive, CMOS Input



Propagation Delay vs Input Slew Rate, CMOS Input

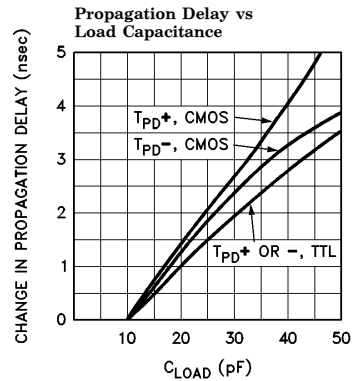
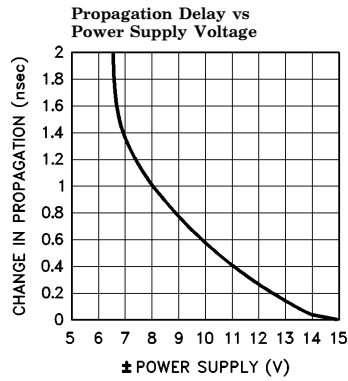


2252-14

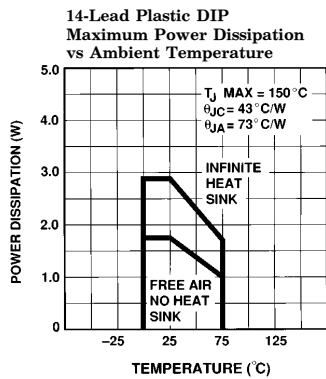
# EL2252C

## Dual 50 MHz Comparator/Pin Receiver

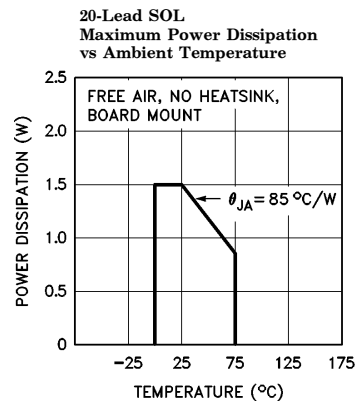
### Typical Performance Curves — Contd.



2252-15



2252-16



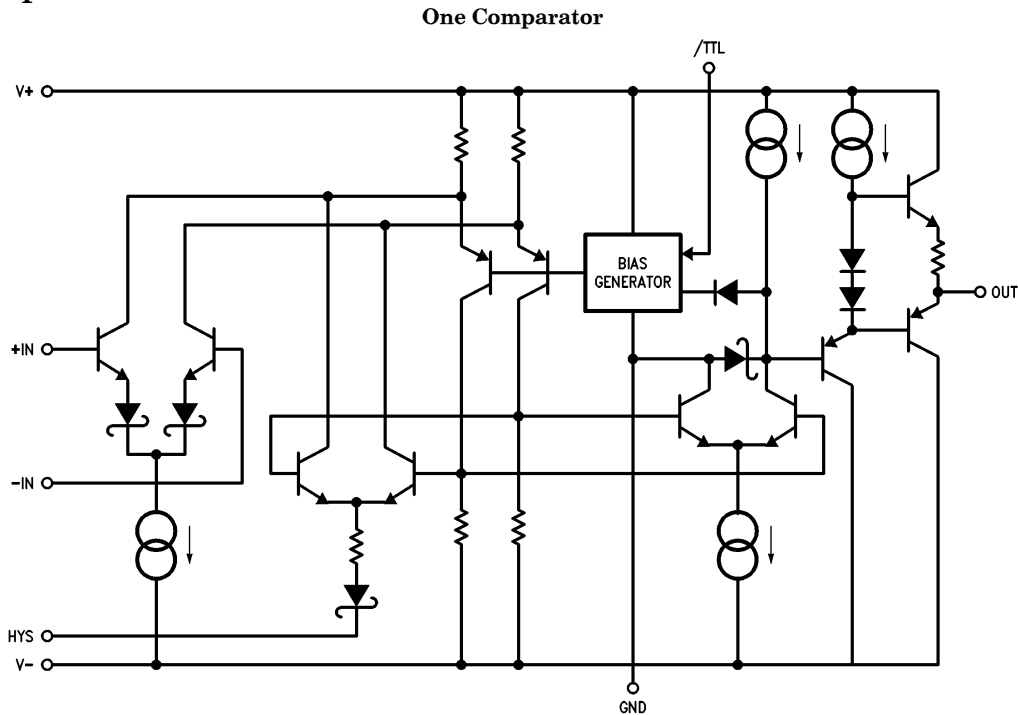
2252-18



# *EL2252C*

## *Dual 50 MHz Comparator/Pin Receiver*

### Simplified Schematic



2252-19

### Applications Information

The EL2252 is very easy to use and is relatively oscillation-free, but a few items must be attended. The first is that both supplies should be bypassed closely. 1  $\mu$ F tantalums are very good and no additional smaller capacitors are necessary. The EL2252 requires  $V^-$  to be at least 5V to preserve AC performance.  $V^+$  must be at least 6V for a TTL output swing, 8V for CMOS outputs.

The input voltage range will be referred to the more positive of the two inputs. That is, bringing an input as negative as  $V^-$  will not cause problems; it's the other input's level that must be considered. The typical input range is +13/-12V

when the supplies are  $\pm 15$ V. This range diminishes over temperature and varies with processing; it is wise to set power supplies such that  $V^+$  is 5V more positive than the most positive input signal and  $V^-$  more negative than 6V below the most negative input.  $\pm 12$ V supplies will easily encompass all CMOS and ECL logic inputs. If the input exceeds the device's common-mode input capability, the EL2252 propagation delay and input bias current will increase. Fault currents will occur with inputs a diode below  $V^-$  or above  $V^+$ . No damage nor  $V_{OS}$  shift will occur even when fault currents within the absolute maximum ratings.

# ***EL2252C***

## ***Dual 50 MHz Comparator/Pin Receiver***

### **Applications Information — Contd.**

One of the few ways in which oscillations can be induced is by connecting a high-Q reactive source impedance to the EL2252 inputs. Such sources are long wires and unterminated coaxial lines. The source impedance should be de-Q'ed. One method is to connect a series resistor to the EL2252 input of around 100 $\Omega$  value. More resistance will calm the system more effectively, but at the expense of comparator response time. Another method is to install a "snubber" network from comparator input to ground. A snubber is a resistor in series with a small capacitor, around 100 $\Omega$  and 33 pF. Each physical and electrical environment will require different treatments, although many need none.

The major use of the HYS pin is to suppress noise superimposed on the input signal. By shorting the HYS pin to  $V^-$  a  $\pm 30$  mV hysteresis is placed around the  $V_{OS}$  of the comparator input. Leaving the pin open, or more appropriately, grounding the HYS pin removes all hysteresis. Connecting a resistor between HYS and  $V^-$  allows an adjustment of the peak-to-peak hysteresis level. Unfortunately, an external resistor cannot track the internal devices properly, so temperature and unit-to-unit variations of hys-

teresis are increased. The relationship between the resistor and resulting hysteresis level is not linear, but a 1.5k resistor will approximately halve the nominal value.

The time delay of the EL2252 will increase by about 0.7 ns when using full hysteresis.

The EL2252 is specifically designed to be tolerant of large inputs. It will exhibit very much increased delay times for input overdrives below 100 mV. If very small overdrives must be sensed, the EL2018 or EL2019 comparators would be good choices, although they lose accuracies with signal input Slew Rates above 400 V/ $\mu$ s. The EL2252 keeps its timing accuracy with input Slew Rates between 100 V/ $\mu$ s and 4000 V/ $\mu$ s of input Slew Rate.

The output stage drives tens of pF load capacitances without increased overshoot, but propagation delay increases about 1 ns per 10 pF. The output circuit is not a traditional TTL stage, and using an external pullup resistor will not change the  $V_{OH}$ . In general setting the output swing to TTL (by grounding the /TTL pin) will optimize overall propagation delay and  $\pm$  swing symmetry.

# *EL2252C*

## *Dual 50 MHz Comparator/Pin Receiver*

### EL2252C Macromodel

```

* Connections:      + input
*                  |
*                  | - input
*                  |
*                  | + V
*                  |
*                  | -V
*                  |
*                  | HYS
*                  |
*                  |  $\overline{TTL}$ 
*                  |
*                  | output
*
.subckt M2252      2      3      14      7      4      5      13
*
* Application Hints:
*
* Connect pin 4 to ground through 1000 M $\Omega$  resistor to inhibit
* Hysteresis; to invoke Hysteresis, connect pin 4 to V-.
*
* Connect pin 5 to ground to invoke TTL VOH; pin 5 may left open
* for CMOS VOH.
*
* To facilitate .OP, set itl1 = 200, itl2 = 200, set node 27 to 13.8V,
* and node 30 to -12V.
*
* Input Stage
*
i1 22 7 1.7mA
r1 14 20 300
r2 14 21 300
q1 20 2 22 qn
q2 21 3 22 qn
q3 20 26 23 qn
q4 21 25 23 qn
q13 25 27 20 qp
q14 26 27 21 qp
v1 14 27 1.2V
r3 23 24 1.4k
d1 24 4 ds
r4 25 33 700
r5 26 33 700
q16 33 33 34 qn
q17 34 34 37 qn
v4 37 7 1.2V
*
* 2nd Stage
*
i2 30 7 3mA
i3 14 28 1.5mA
q7 0 35 28 qp
v2 44 0 1.2V
s1 44 35 5 0 swa
s2 45 35 5 0 swb
rsw 14 5 10k

```

# EL2252C

## Dual 50 MHz Comparator/Pin Receiver

### EL2252C Macromodel — Contd.

```

v3 45 0 2.5V
q5 0 26 30 qn
q6 28 25 30 qn
d3 0 28 ds
*
* Output Stage
*
i4 14 38 1mA
q8 38 38 39 qn
q9 32 32 39 qp
q10 7 28 32 qp
q11 14 38 40 qn 2
q12 7 28 13 qp 2
r6 40 13 50
c1 28 0 3pF
*
* Models
*
.model qn npn (is = 2e - 15 bf = 120 tf = 0.2nS cje = 0.2pF cjc = 0.2pF ccs = 0.2pF)
.model qp pnp (is = 0.6e - 15 bf = 60 tf = 0.2nS cje = 0.5pF cjc = 0.3pF ccs = 0.2pF)
.model ds d(is = 3e - 12 tt = 0.05nS eg = 0.72V vj = 0.58)
.model swa vswitch (von = 0v voff = 2.5V)
.model swb vswitch (von = 2.5 voff = 0V)
.ends

```

#### General Disclaimer

Specifications contained in this data sheet are in effect as of the publication date shown. Elantec, Inc. reserves the right to make changes in the circuitry or specifications contained herein at any time without notice. Elantec, Inc. assumes no responsibility for the use of any circuits described herein and makes no representations that they are free from patent infringement.

**élantec**  
HIGH PERFORMANCE ANALOG INTEGRATED CIRCUITS

#### Elantec, Inc.

1996 Tarob Court  
Milpitas, CA 95035  
Telephone: (408) 945-1323  
(800) 333-6314  
Fax: (408) 945-9305  
European Office: 44-71-482-4596

#### WARNING — Life Support Policy

Elantec, Inc. products are not authorized for and should not be used within Life Support Systems without the specific written consent of Elantec, Inc. Life Support systems are equipment intended to support or sustain life and whose failure to perform when properly used in accordance with instructions provided can be reasonably expected to result in significant personal injury or death. Users contemplating application of Elantec, Inc. products in Life Support Systems are requested to contact Elantec, Inc. factory headquarters to establish suitable terms & conditions for these applications. Elantec, Inc.'s warranty is limited to replacement of defective components and does not cover injury to persons or property or other consequential damages.