
HA12181FP

AM Radio Noise Reduction System

HITACHI

ADE-207-171A (Z)

2nd. Edition
June 1997

Functions

- Buffer amp. for audio
- Linear approximate circuit for noise reduction
- IF Amp., detector, audio amp. and AGC circuit for noise detection
- Gate pulse generator

Features

- High noise cancelling capacity: 46 dB typ.
- Less gain loss: $G_v = -0.5$ dB typ.
- Low total harmonic distortion and high signal-to noise ratio: THD = 0.06% typ., S/N = 75 dB typ.
- Operation supply voltage range: 7.0 V to 10 V (8.2 V typ.)
- Less external parts count

Table of Pin Description and External Parts

No. of pin	Name	Function	DC voltage (V) (No input)	Equivalent circuit	External parts		Influence of External parts	
					No.	recommended value	Larger than recommended value	Smaller than recommended value
1	IF AGC Time	constant for IF AGC.	2.7		R500 C502	100 K 3.3 μ	Longer time to stabilize AGC.	Longer distortion of recover.
2	Bias1	Bypass for voltage Stabi.	3.2		C500	0.033 μ	—	Increased noise.
3	AF input	Input of AF.	3.3		C513	1 μ	—	—
4	Bias2	Decide the current of filter network.	1.3		R506	12 K	Cut off frequency of L·P·F and H·P·F shifted lower.	Cut off frequency of L·P·F and H·P·F shifted higher.
5	Phase	Phase circuit	3.3		C512	0.068 μ	Must be used on the recommended value.	

HA12181FP

Table of Pin Description and External Parts (cont)

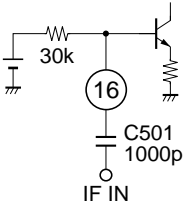
No. of pin	Name	Function	DC voltage (V) (No input)	Equivalent circuit	External parts		Influence of External parts	
					No.	recommended value	Larger than recommended value	Smaller than recommended value
6	Hold	Hold of level difference.	3.3		C511	0.033 μ	Must be used on the recommended value.	
7	GND	GND	—	—	—	—	—	—
8	High-Pass.	High-Pass AMP. (Waveform Compensation)	3.3		C510	0.033 μ	Must be used on the recommended value.	
9	AF out	Output of AF	3.3		C508 R504	1 μ 4.7 K	Output DC cut	Output load
10	Wave form	Waveform Compensation	3.3		C509	0.033 μ	Must be used on the recommended value.	

Table of Pin Description and External Parts (cont)

No. of pin	Name	Function	DC voltage (V) (No input)	Equivalent circuit	External parts		Influence of External parts	
					No.	recommended value	Larger than recommended value	Smaller than recommended value
11	Gate	Gate pulse generation	4.5V		R503	180 K	Gate	Gate
					C507	2200 P	pulse width become wider.	pulse width become narrow.
12	Vth	Determination of noise detection sensitivity	1.1		R502	22 K	Higher noise detection sensitivity.	Lower noise detection sensitivity.
13	V _{cc}	V _{cc}	8.2	—	—	—	—	—
14	IF Det.	IF AGC detector	3.3		C503	0.01 μ	—	—
15	AF AGC	Time constant for AF AGC	0		R505	47 K	Longer	Miss-
					C504	0.22 μ	time to stabilize AGC.	operator in noise detector.

HA12181FP

Table of Pin Description and External Parts (cont)

No. of pin	Name	Function	DC voltage (V) (No input)	Equivalent circuit	Influence of External parts		
					External parts No.	recom- mended value	Larger than recom- mended value
16	IF in	IF input	1.3			IF Input	Coupling
						—	Instability

Absolute Maximum Ratings (Ta = 25°C)

Item	Symbol	Rating	Unit
Supply voltage	V _{cc}	16	V
Power dissipation	Pd	400* ¹	mW
Operating temperature	Topr	-40 to +85	°C
Storage temperature	Tstg	-55 to +125	°C

Note: 1. Value at Ta = 85°C

Electrical Characteristics (Tentative) ($V_{CC} = 8.2\text{ V}$, $T_a = 25^\circ\text{C}$, Pin 3 input: $V_{in} = 100\text{ mVrms}$, $f = 1\text{ KHz}$, Pin 16 input: $V_{in} = 74\text{ dB}\mu$, $f_c = 450\text{ KHz}$, $f_m = 1\text{ KHz}$, $m = 30\%$)

Item	Symbol	Min	Typ	Max	Unit	Test conditions
Supply current	I_{CC}	—	11.0	—	mA	No input signal, IC only
Output voltage	V_{out}	70	95	120	mVrms	Pin 3 input only
Total harmonic distortion	THD1	—	0.06	0.3	%	
Signal-to-noise ratio	S/N (1)	60	75	—	dB	Pin 3 input $V_{in} = 100\text{ mVrms}$ (Reference), $R_g = 10\text{ K}\Omega$
Strong input total harmonic distortion	THD2	—	1.0	2.5	%	Pin 3 input $V_{in} = 500\text{ mVrms}$
Recovered output voltage	V_o (AF)	50	78	120	mVrms	Pin 16 input only
Recovered output signal-to-noise-ratio	S/N (2)	35	45	—	dB	
Noise suppression ratio	NSR	35	46	—	dB	Input the waveform below. Pin 3 input $V_{in} = 100\text{ mVrms}$ (Reference) no input sine wave

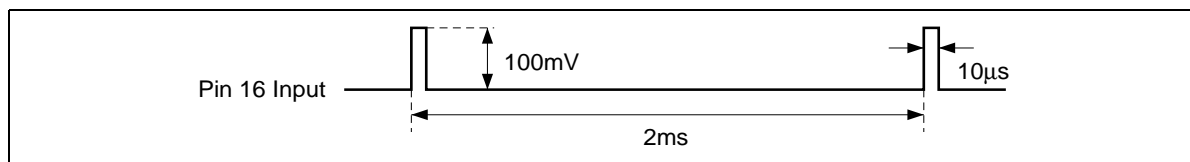
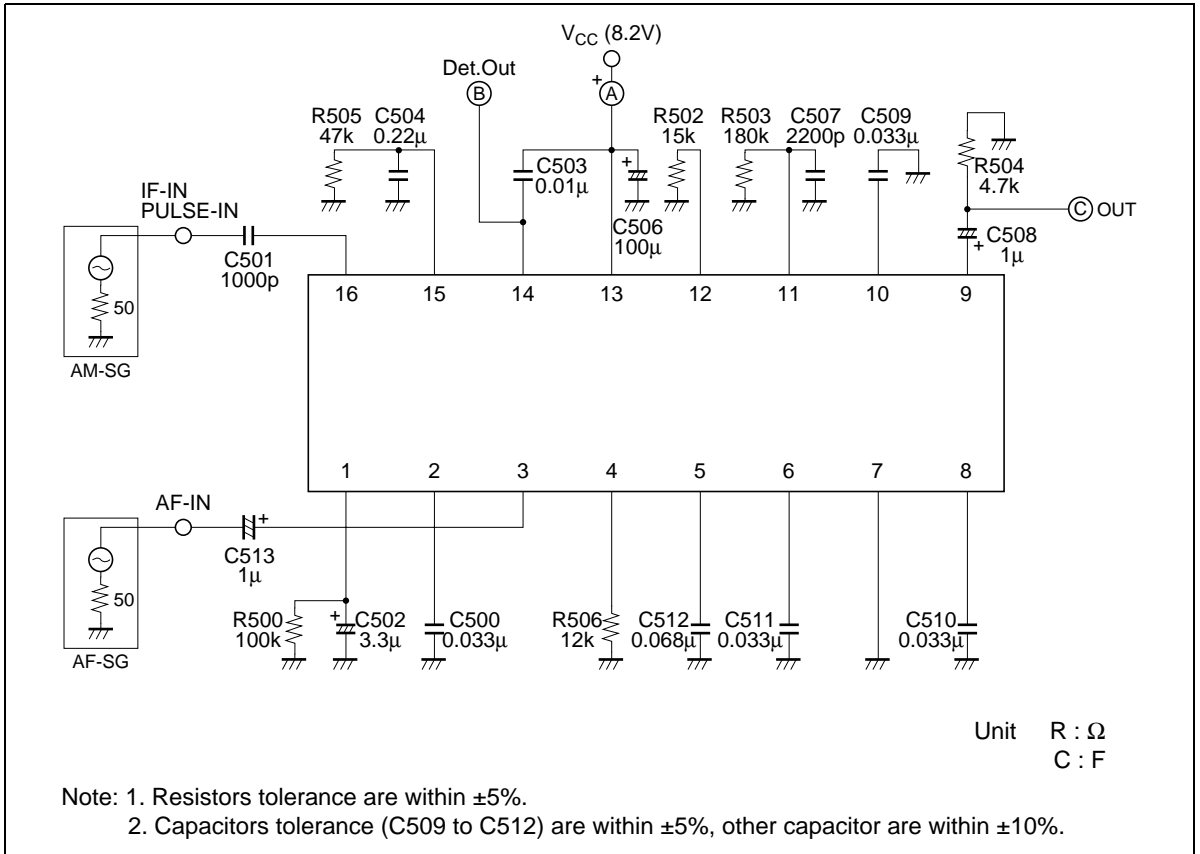


Figure 1 Input Waveform at Measurement of Noise Suppression Ratio

HA12181FP

Test Circuit



Operation Principle

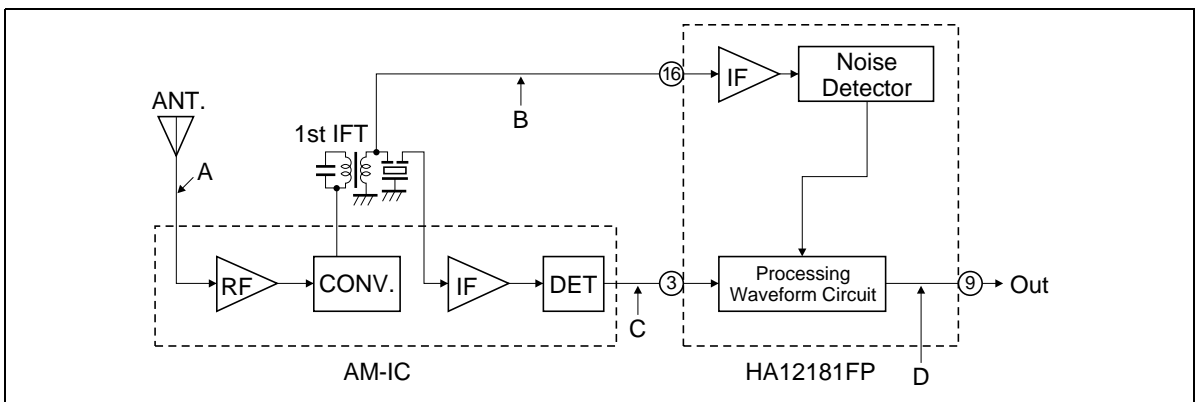


Figure 2 System Block Diagram of AM Radio

A system block diagram of AM Radio using the HA12181FP is shown in Figure 2 and waveforms at each point in the system are illustrated in Figure 3. For AM wave with impulse noise from ANT, the pulse spreads its width each time when the AM wave passes through a selection filter.

The pulse width becomes the order of several hundred microseconds at detector output (Point C).

A radio without a noise canceller produces large noise to the audience. This IC perfectly detects every noise by using the signals from 1st IFT (Point B) in front of the narrow band filter.

The wave process circuit approximates the voltage linearly at the pulse to reduce the noise in the output.

The principle for wave processing follows. Further investigation make it clear that the pulse width of impulse noise is constant (several hundred microseconds) and independent of the waveform or waveheight.

Therefore the former and later voltage (V_A , V_B) of the pulse can be found at the same time (T_1) by means of the wave and the delayed one for this time, as shown in the right figure.

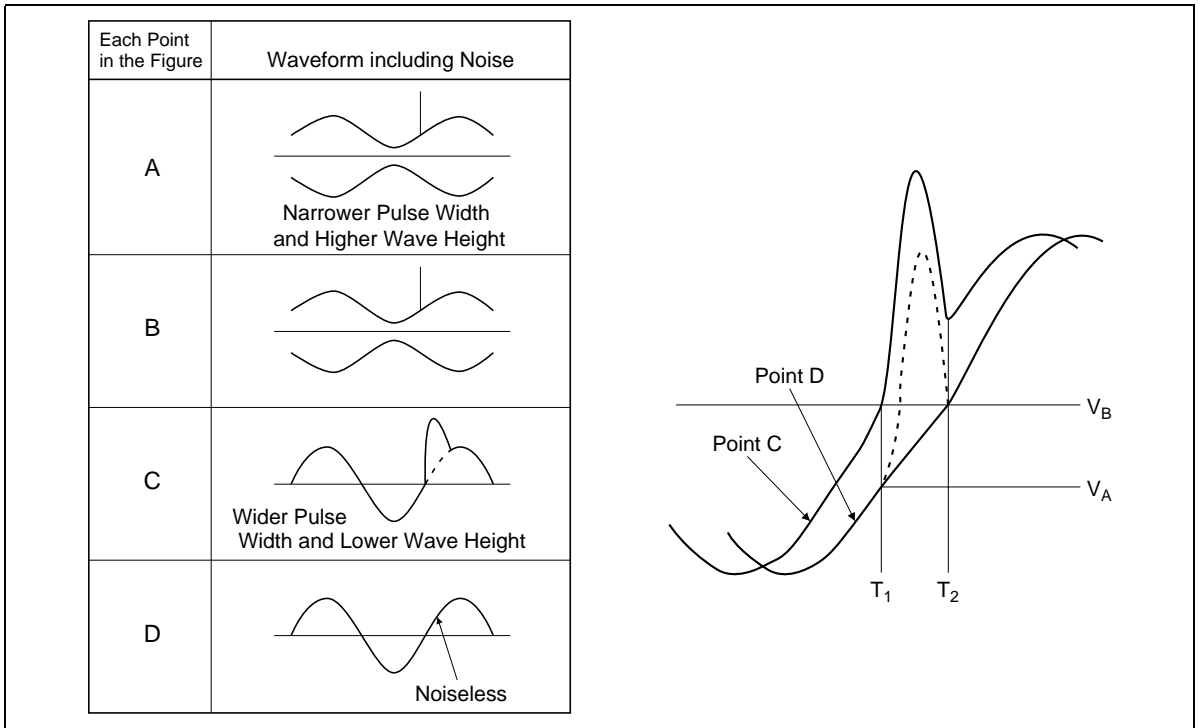


Figure 3 Waveforms at Each Point in the System

In an actual circuit, the differential voltage between input and output of phase shift circuit is changed to the capacitor C511 at pin 6.

At the time of T_1 , when the switch turns to the noise processing mode (the switch positions in Figure 4 are inverted), the voltage difference ($V_A - V_B$) is held in C511.

C509 at pin 10 is changed by the differential voltage between the held voltage and the output voltage at pin 9 (V_A): $V_A - (V_A - V_B) = V_B$.

HA12181FP

As the initial voltage of C509 is equal to the output voltage (VA) before the switch change, the voltage between terminals of C509 is changed from VA to VB.

The waveform which change up to C509 becomes the output, because the voltage of C509 appears at pin 9 through the buffer.

The changed up waveform of C509 is almost linearly approximated because of the constant current change by the feedback from the output at pin 9.

At the time of T2 when the switches change to the normal mode (the switch position in Figure 4), the output recovers smoothly as the voltage of C509 is VB.

However the unmatched wave delay time due to the pulse width or the phase circuit and the offset of circuit make a slight step difference on the waveform at the moment of switch change.

LPF, consisting of R1 and C509 make it smooth.

The frequency characteristics, which is deteriorated by LPF in the normal mode, is compensated so that it might become flat. C509 and C510 should have the same capacity, and the tolerance must be within $\pm 5\%$.

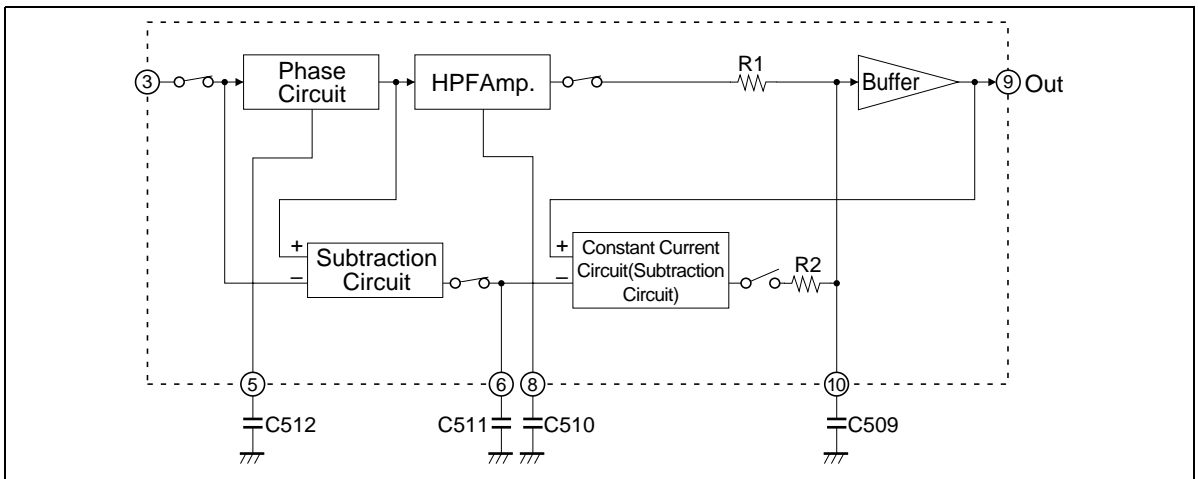
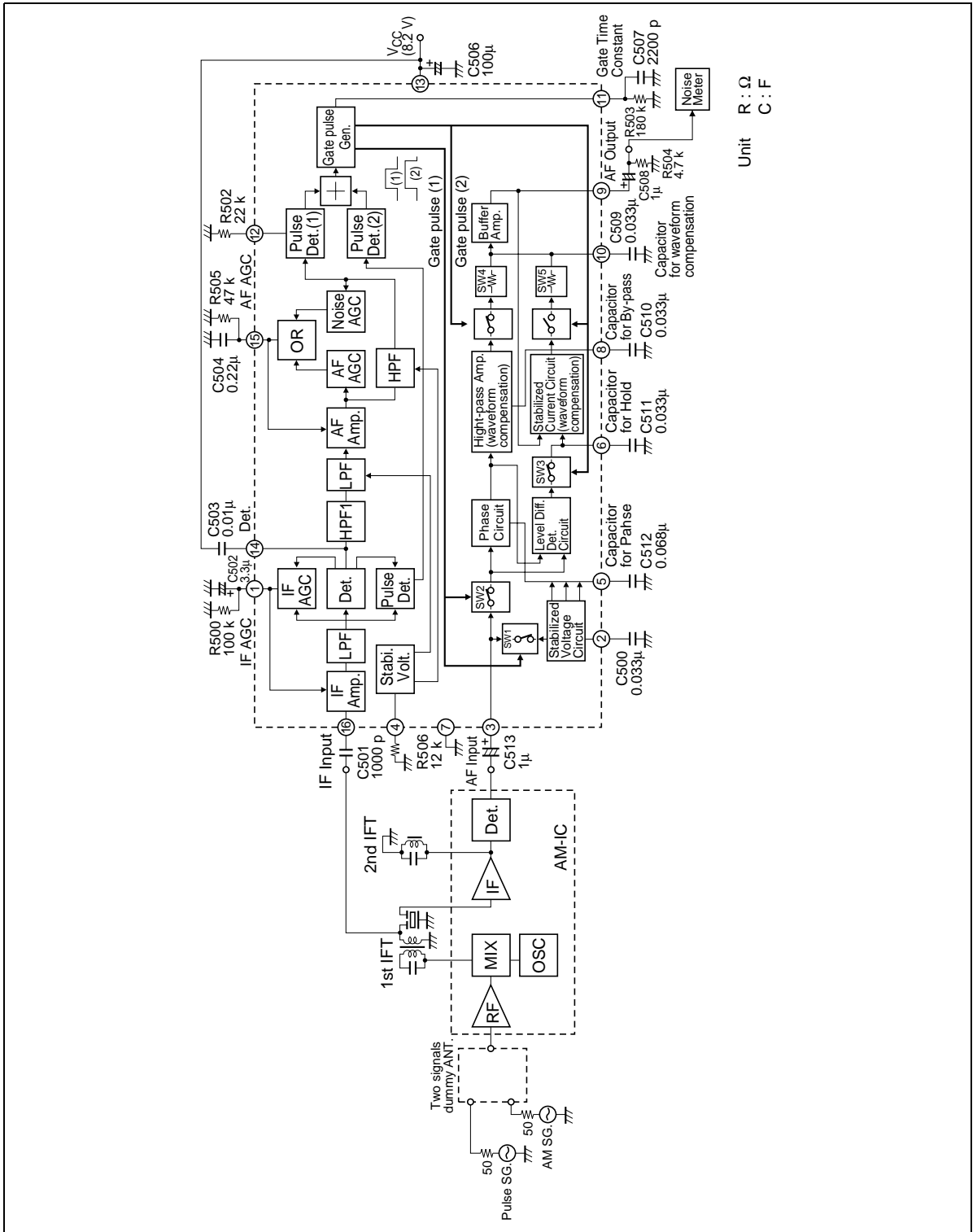


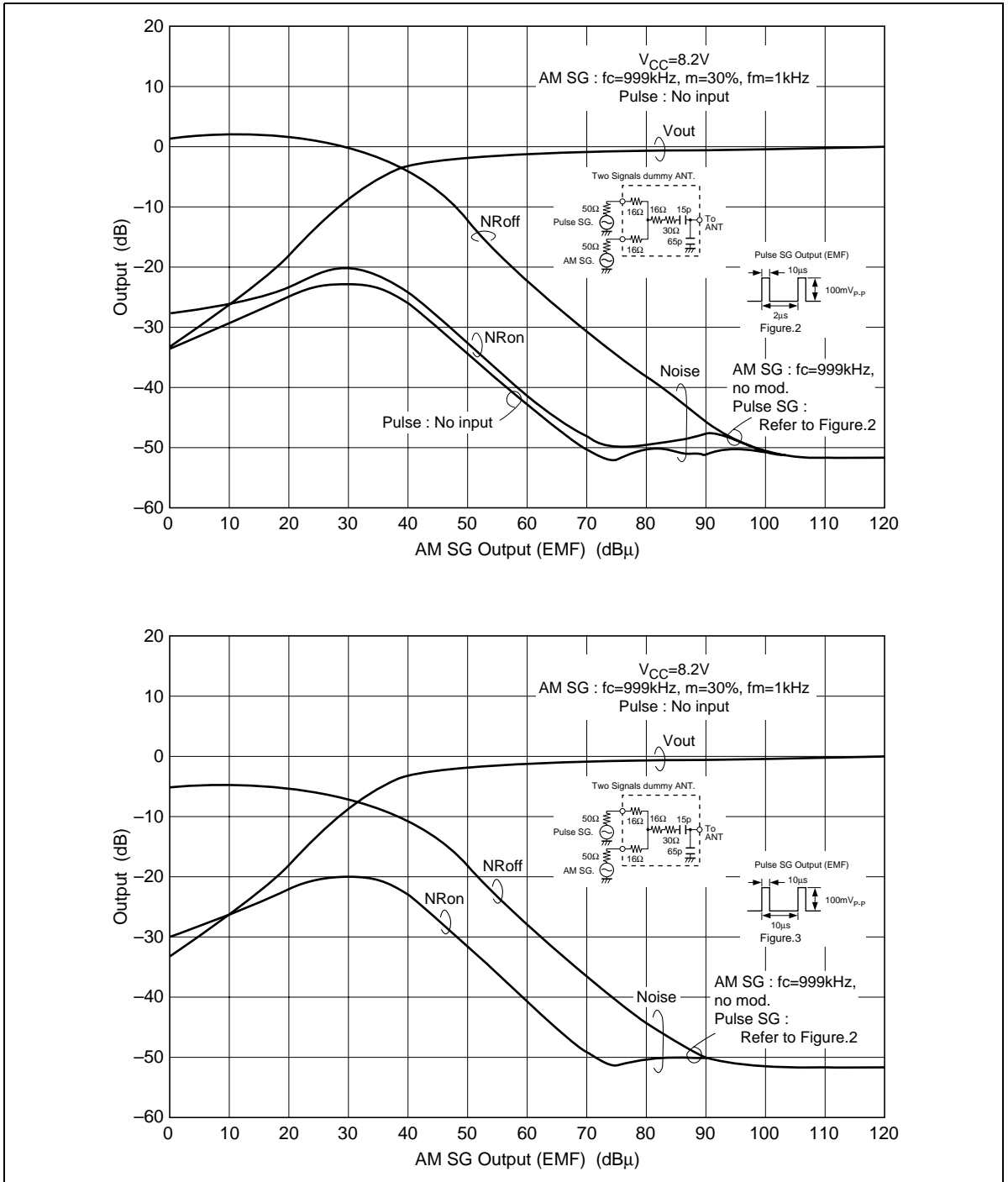
Figure 4 Waveform Processing Circuit

Evaluation Circuit for Noise Reduction Effect

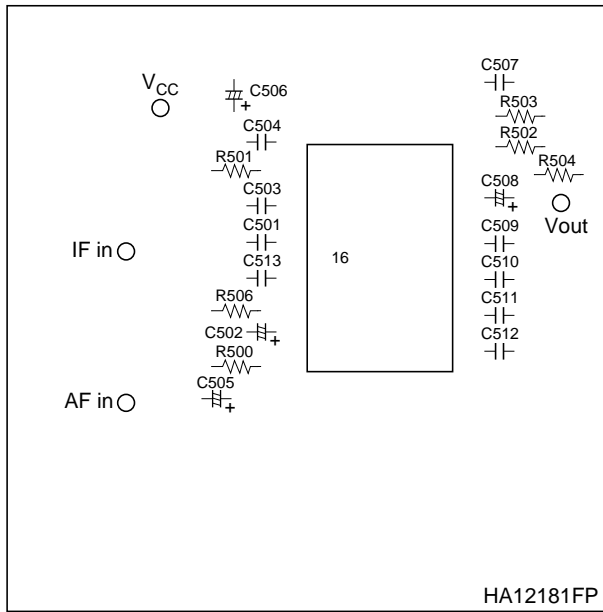


HA12181FP

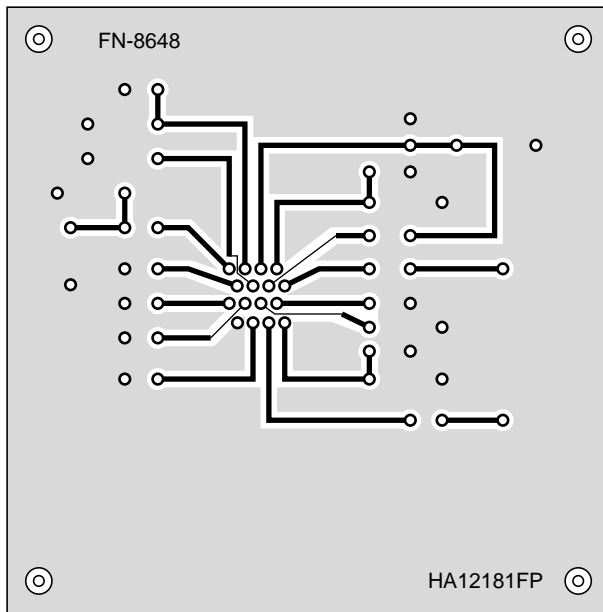
Example of Noise Reduction Effect



PC Board Layout Pattern

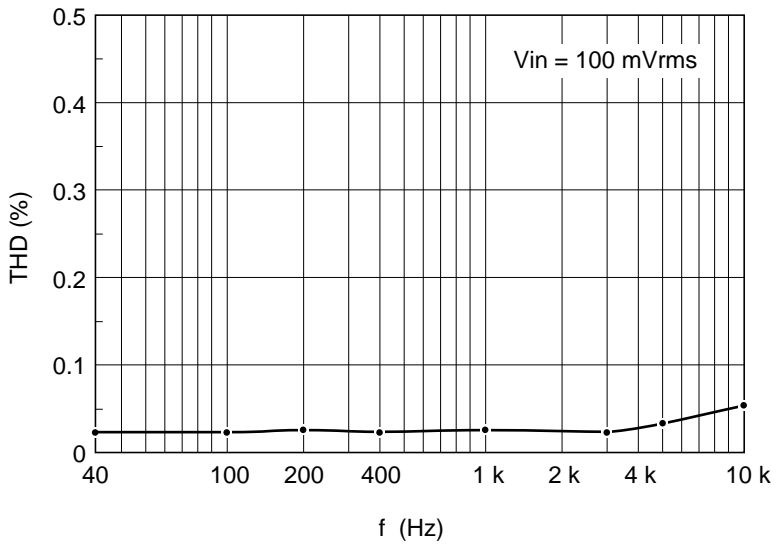
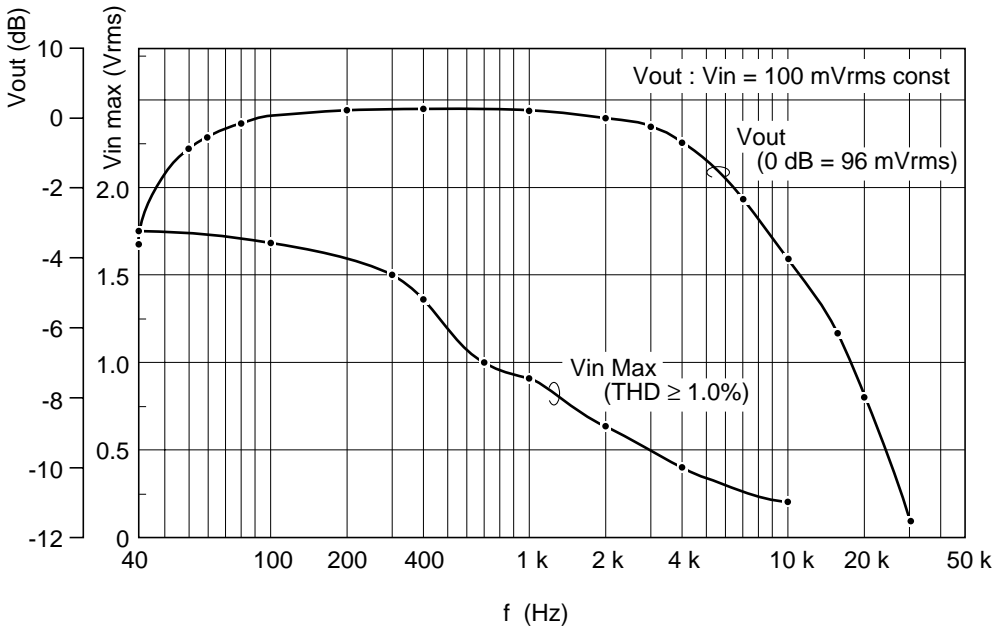


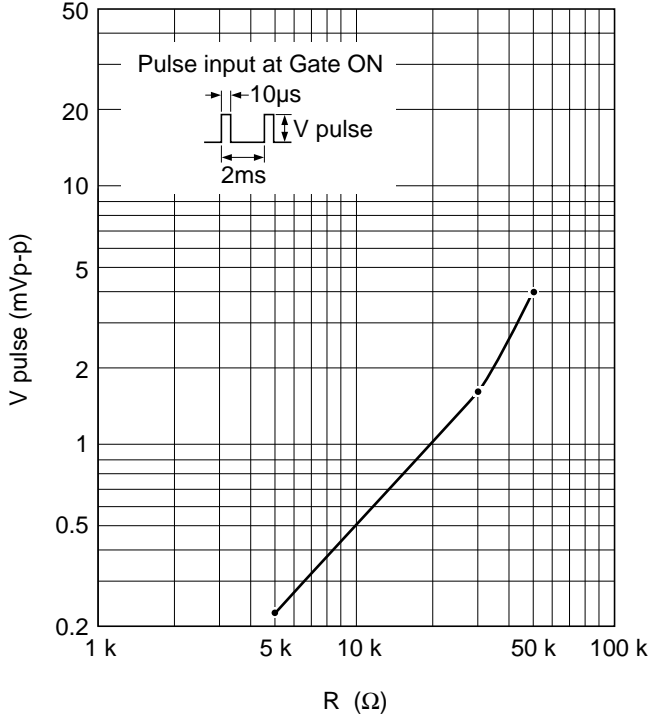
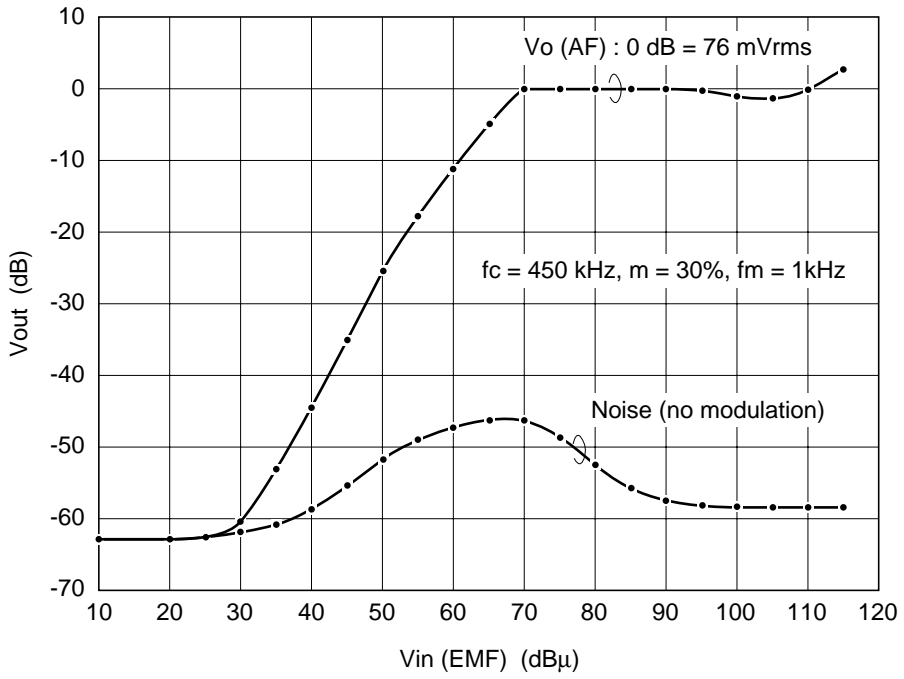
(Top view)

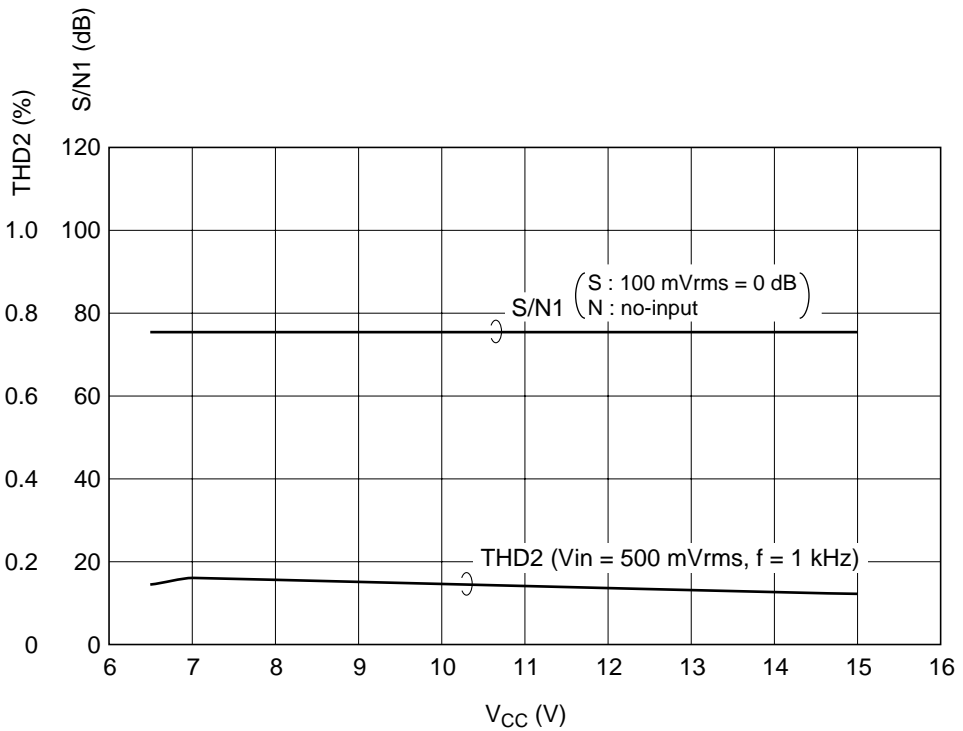
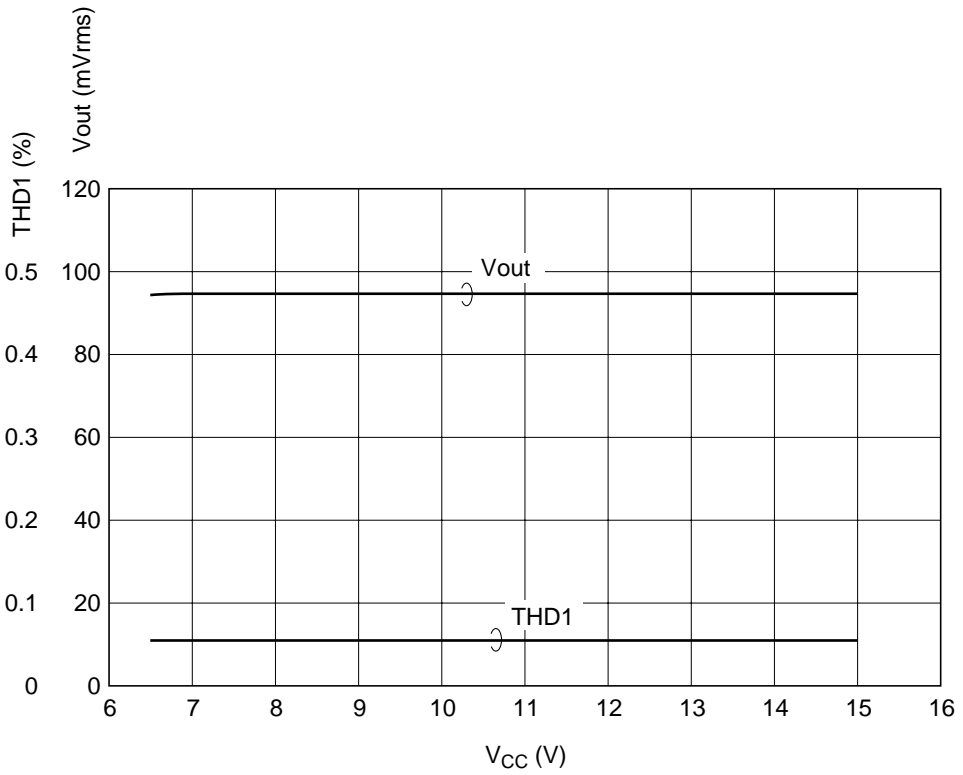


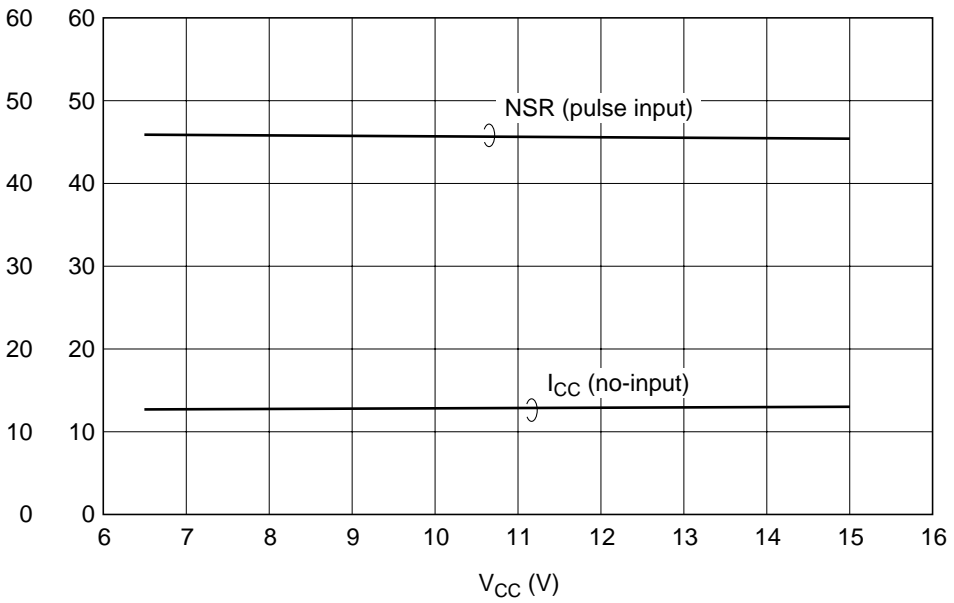
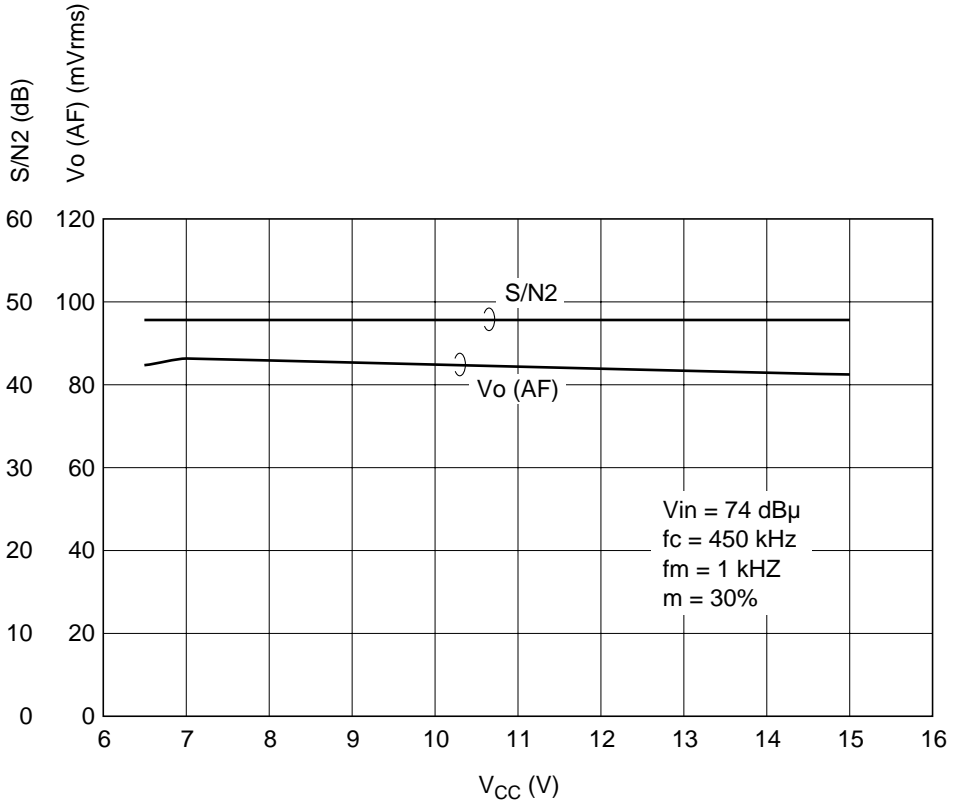
(Bottom view)

Main Characteristics

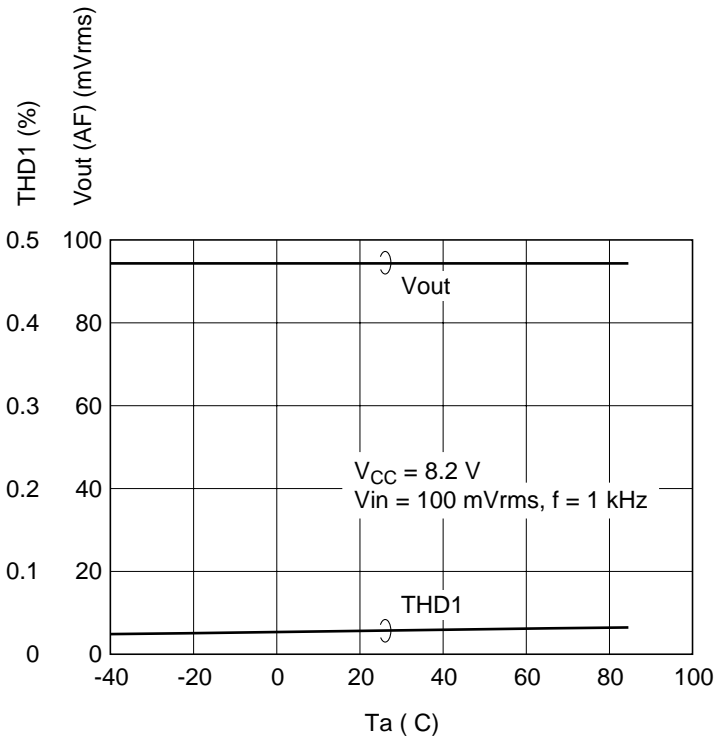
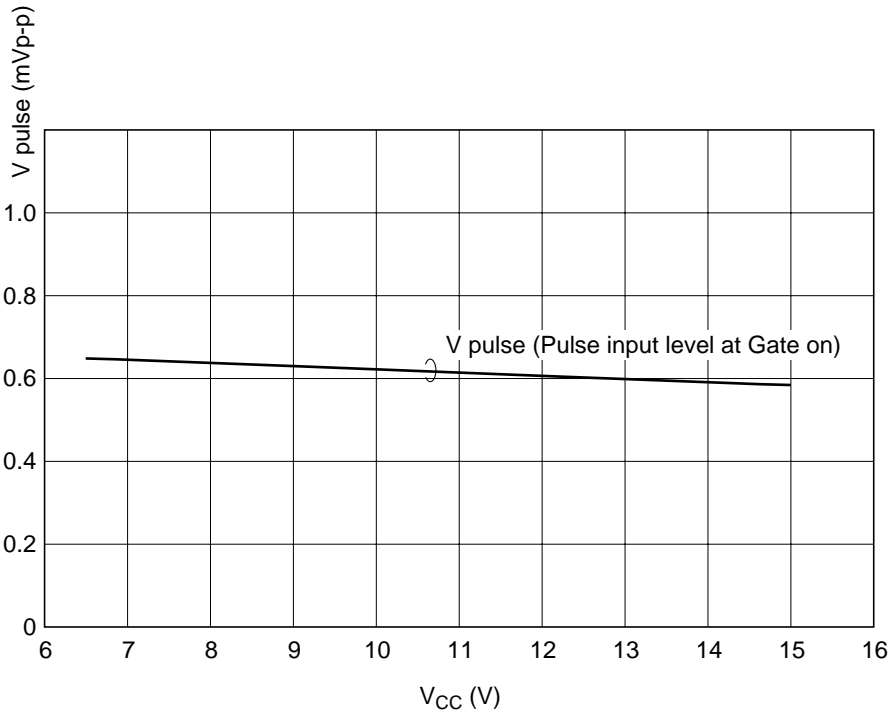


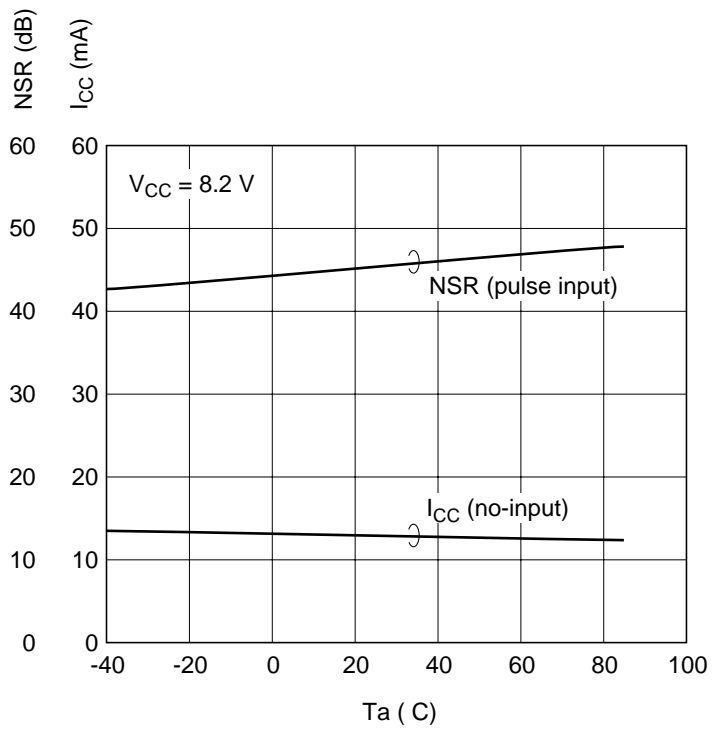






HA12181FP





Disclaimer

1. Hitachi neither warrants nor grants licenses of any rights of Hitachi's or any third party's patent, copyright, trademark, or other intellectual property rights for information contained in this document. Hitachi bears no responsibility for problems that may arise with third party's rights, including intellectual property rights, in connection with use of the information contained in this document.
2. Products and product specifications may be subject to change without notice. Confirm that you have received the latest product standards or specifications before final design, purchase or use.
3. Hitachi makes every attempt to ensure that its products are of high quality and reliability. However, contact Hitachi's sales office before using the product in an application that demands especially high quality and reliability or where its failure or malfunction may directly threaten human life or cause risk of bodily injury, such as aerospace, aeronautics, nuclear power, combustion control, transportation, traffic, safety equipment or medical equipment for life support.
4. Design your application so that the product is used within the ranges guaranteed by Hitachi particularly for maximum rating, operating supply voltage range, heat radiation characteristics, installation conditions and other characteristics. Hitachi bears no responsibility for failure or damage when used beyond the guaranteed ranges. Even within the guaranteed ranges, consider normally foreseeable failure rates or failure modes in semiconductor devices and employ systemic measures such as fail-safes, so that the equipment incorporating Hitachi product does not cause bodily injury, fire or other consequential damage due to operation of the Hitachi product.
5. This product is not designed to be radiation resistant.
6. No one is permitted to reproduce or duplicate, in any form, the whole or part of this document without written approval from Hitachi.
7. Contact Hitachi's sales office for any questions regarding this document or Hitachi semiconductor products.

Sales Offices

HITACHI

Hitachi, Ltd.

Semiconductor & Integrated Circuits.
Nippon Bldg., 2-6-2, Ohte-machi, Chiyoda-ku, Tokyo 100-0004, Japan
Tel: Tokyo (03) 3270-2111 Fax: (03) 3270-5109

URL NorthAmerica : <http://semiconductor.hitachi.com/>
 Europe : <http://www.hitachi-eu.com/hel/ecg>
 Asia : <http://sicapac.hitachi-asia.com>
 Japan : <http://www.hitachi.co.jp/Sicd/indx.htm>

For further information write to:

Hitachi Semiconductor
(America) Inc.
179 East Tasman Drive,
San Jose, CA 95134
Tel: <1> (408) 433-1990
Fax: <1> (408) 433-0223

Hitachi Europe GmbH
Electronic Components Group
Dornacher Straße 3
D-85622 Feldkirchen, Munich
Germany
Tel: <49> (89) 9 9180-0
Fax: <49> (89) 9 29 30 00

Hitachi Europe Ltd.
Electronic Components Group.
Whitebrook Park
Lower Cookham Road
Maidenhead
Berkshire SL6 8YA, United Kingdom
Tel: <44> (1628) 585000
Fax: <44> (1628) 585160

Hitachi Asia Ltd.
Hitachi Tower
16 Collyer Quay #20-00,
Singapore 049318
Tel : <65>-538-6533/538-8577
Fax : <65>-538-6933/538-3877
URL : <http://www.hitachi.com.sg>

Hitachi Asia Ltd.
(Taipei Branch Office)
4/F, No. 167, Tun Hwa North Road,
Hung-Kuo Building,
Taipei (105), Taiwan
Tel : <886>-(2)-2718-3666
Fax : <886>-(2)-2718-8180
Telex : 23222 HAS-TP
URL : <http://www.hitachi.com.tw>

Hitachi Asia (Hong Kong) Ltd.
Group III (Electronic Components)
7/F., North Tower,
World Finance Centre,
Harbour City, Canton Road
Tsim Sha Tsui, Kowloon,
Hong Kong
Tel : <852>-(2)-735-9218
Fax : <852>-(2)-730-0281
URL : <http://www.hitachi.com.hk>

Copyright © Hitachi, Ltd., 2000. All rights reserved. Printed in Japan.
Colophon 2.0