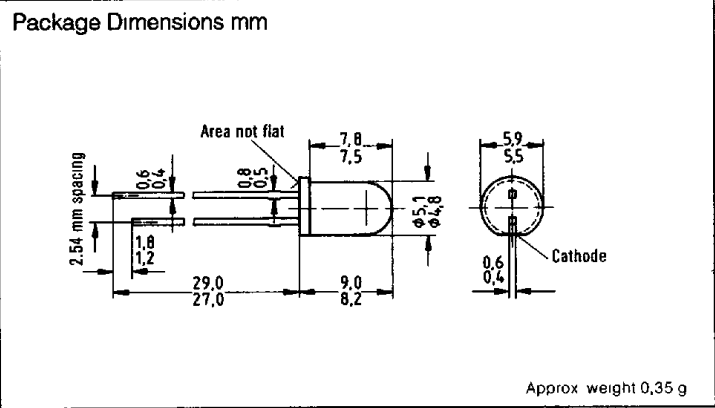
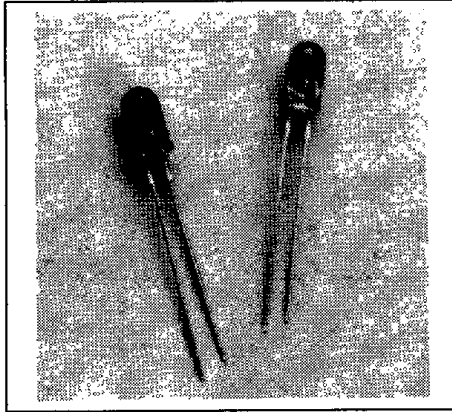


**SIEMENS**

**RED LR 5460** T-41-21  
**SUPER-RED LS 5460**  
**YELLOW LY 5460**  
**GREEN LG 5460**  
**T<sup>1</sup>/<sub>4</sub> (5 mm) LED LAMP**



LED Lamps

**FEATURES**

- High Light Output
- Diffused Lens
- Wide Viewing Angle 70°
- With Standoffs
- T<sup>1</sup>/<sub>4</sub> (5 mm) Package Size
- 1" Lead Length
- I/C Compatible

**DESCRIPTION**

The LR 5460 series is a standard red gallium arsenide phosphide (GaAsP) LED lamp. The LS 5460 super-red and LY 5460 yellow are premium high efficiency light emitting diode lamps fabricated with TSN (transparent substrate nitrogen) technology. The LG 5460 green is a gallium phosphide (GaP) lamp. All have a diffused plastic lens which emits a full flooded intense light.

**Maximum Ratings**

Reverse Voltage (V <sub>R</sub> )	.....	5 V
Forward Current (I <sub>F</sub> )	.....	45 mA
Surge Current (t ≤ 10 μs) (I <sub>FSM</sub> )	.....	1 A
Storage Temperature Range (T <sub>STG</sub> )	.....	-55°C to +100°C
Junction Temperature (T <sub>J</sub> )	.....	100°C
Total Power Dissipation (P <sub>TOT</sub> ) T <sub>A</sub> =25°C	.....	150 mW
Thermal Resistance Junction to Air (R <sub>thJA</sub> )	.....	500 KW

**Characteristics (T<sub>A</sub>=25°C)**

Parameter	Symbol	LR 5460 Red	LS 5460 Super-Red	LY 5460 Yellow	LG 5460 Green	Unit
Wavelength at Peak Emission	λ <sub>PEAK</sub>	660	635	586	565	nm
Dominant Wavelength	λ <sub>DOM</sub>	645	628	590	567	nm
Viewing Angle (Limits for 50% of Luminous Intensity I <sub>V</sub> )	φ	50	50	50	50	Deg
Forward Voltage (I <sub>F</sub> =10 mA)	V <sub>F</sub>	1.6 (±2.0)	2.0 (±2.6)	2.0 (±2.6)	2.0 (±2.6)	V
Reverse Current (V <sub>R</sub> =5 V)	I <sub>R</sub>	0.01 (≤10)	0.01 (≤10)	0.01 (≤10)	0.01 (≤10)	μA
Capacitance (V <sub>R</sub> =0 V, f = 1 MHz)	C <sub>0</sub>	25	12	10	15	pF
Rise Time	t <sub>r</sub>	120	300	300	450	ns
Fall Time	t <sub>f</sub>	50	150	150	200	ns

**Luminous Intensity (mcd)**

Part Number	Test			Part Number	Test		
	Min.	Max.	Condition		Min.	Max.	Condition
LR 5460-DG	0.4	3.2	10 mA	LY 5460-GK	1.6	12.5	10 mA
LR 5460-E	0.63	1.25	10 mA	LY 5460-H	2.5	5	10 mA
LR 5460-F	1	2	10 mA	LY 5460-J	4	8	10 mA
LR 5460-FJ	1	8	10 mA	LY 5460-JM	4	32	10 mA
LR 5460-G	1.6	3.2	10 mA	LY 5460-K	6.3	12.5	10 mA
LS 5460-HL	2.5	20	10 mA	LG 5460-GK	1.6	12.5	10 mA
LS 5460-J	4	8	10 mA	LG 5460-H	2.5	5	10 mA
LS 5460-K	6.3	12.5	10 mA	LG 5460-J	4	8	10 mA
LS 5460-KN	6.3	50	10 mA	LG 5460-JM	4	32	10 mA
LS 5460-L	10	20	10 mA	LG 5460-K	6.3	12.5	10 mA

See graph numbers 1, 2A, 3A, 5A, 6A, 7A, 8, 9, 10 on pages 42 – 48.