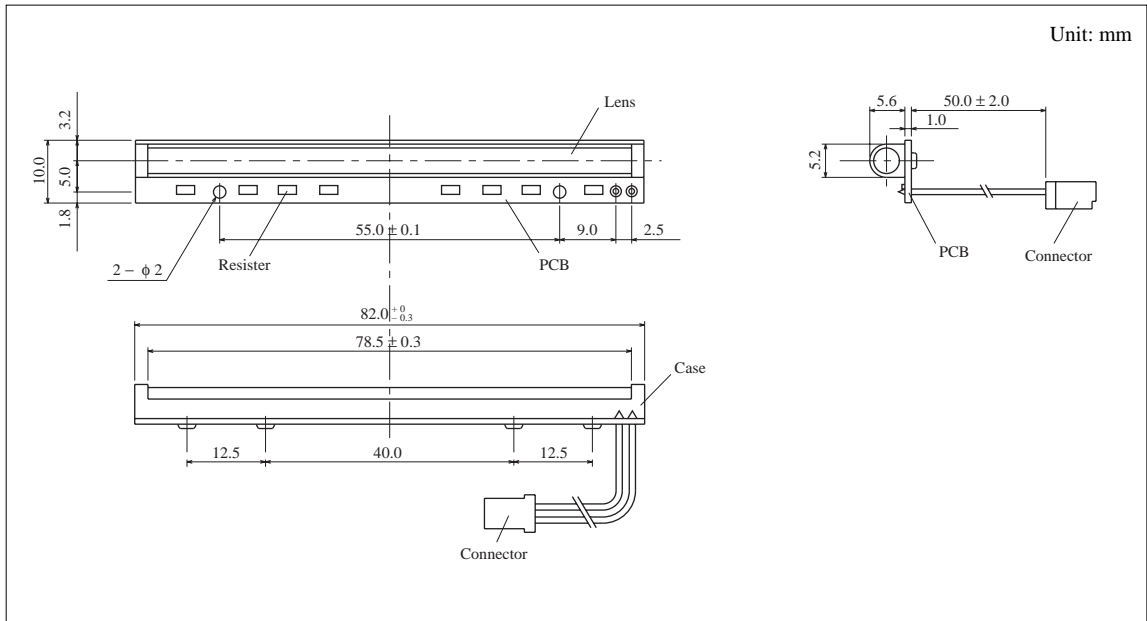


LED LINE LIGHT SOURCE

B8 Size LN322114ALUN

Global Parts No. LNR218701



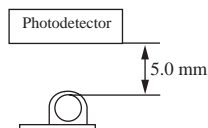
■ Absolute Maximum Ratings ($T_a = 25^\circ\text{C}$)

Item	Symbol	Rating	Unit
Supply Voltage	V_{CC}	12.6	V
Reverse Voltage	V_R	12.0	V
Power Consumption	P	1.75	W
Operating Ambient Temperature	Topr	0 ~ + 40	$^\circ\text{C}$
Storage Temperature	Tstg	- 20 ~ + 60	$^\circ\text{C}$

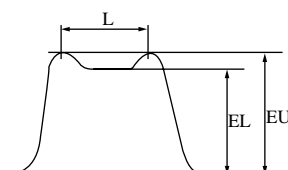
■ Electro-Optical Characteristics ($T_a = 25^\circ\text{C}$)

Item	Symbol	Condition	min	typ	Max	Unit
Supply Voltage	V_{CC}		11.4	12.0	12.6	V
Total Forward Current	I_{Ft}	$V_{CC} = 12.0\text{ V}$		110		mA
Effective Illumination Length	L	$V_{CC} = 12.0\text{ V}$		62		mm
Radiant Illuminance on Manuscript	E	$V_{CC} = 12.0\text{ V}$	1500			$\mu\text{ w/cm}^2$
Illuminance Distribution	ΔEB	$V_{CC} = 12.0\text{ V}$		125		%
Range of Collecting and Spreading Light	ΔL	$V_{CC} = 12.0\text{ V}$		0.8		mm
Peak Emission Wavelength	$\lambda\text{ P}$	1chip IF = 20 mA		660		nm
Spectral Band Width	$\Delta\lambda$	1chip IF = 20 mA		20		nm

Radiant Illuminance on Manuscript



Illuminance Distribution



$$\Delta\text{EH} = \text{EU}/\text{EL} \times 100\%$$

Range Collecting and Spreading Light

