

FEATURES

- Radial Format
- Up to 5.35A IDC
- 4.7 μ H to 10mH
- Low DC Resistance
- Compact Size
- Fully Tinned Leads
- MIL-I-23053/5 Class III Slewing
- Supplied in packs of 10
- Custom & Axial Parts Available

DESCRIPTION

The 1800R Series of inductors are particularly suited to use with a wide variety of switching regulators. Offering high current handling with a small footprint, the devices are ideal where space is at a premium.

SELECTION GUIDE						
Order Code	Inductance $\pm 10\%$ (at 1kHz) μ H	DC Resistance m MAX	DC Current Continuous A MAX	Nominal Q at f kHz		Nominal Self Resonant Frequency MHz
				Q	f	
18R472	4.7 ¹	9	5.35	106	1000	35.1
18R682	6.8	12	4.15	73	500	26.3
18R103	10	15	3.45	59	500	23.8
18R153	15	18	3.00	55	500	17.0
18R223	22	25	2.42	51	500	14.1
18R333	33	40	2.00	48	500	11.5
18R473	47	55	1.65	46	500	9.85
18R683	68	70	1.35	27	100	8.29
18R104	100	100	1.20	40	100	7.40
18R154	150	165	1.10	40	100	5.58
18R224	220	230	0.90	39	100	4.00
18R254	250	255	0.80	40	100	3.85
18R334	330	335	0.73	49	100	3.57
18R474	470	465	0.60	50	100	2.81
18R684	680	630	0.53	48	100	2.43
18R105	1mH	1.0	0.44	92	50	1.82
18R155	1.5mH	1.5	0.33	106	50	1.60
18R225	2.2mH	2.2	0.30	106	50	1.41
18R335	3.3mH	3.5	0.22	139	50	1.04
18R475	4.7mH	4.6	0.20	126	40	0.87
18R685	6.8mH	7.0	0.15	143	40	0.71
18R106	10mH	12	0.13	142	40	0.58

TYPICAL CORE CHARACTERISTICS			
Inductance Temperature Coefficient	Resistance Temperature Coefficient	Curie Temperature T_C	Saturation Flux B_{SAT}
430ppm	4000ppm	190°C	325mT

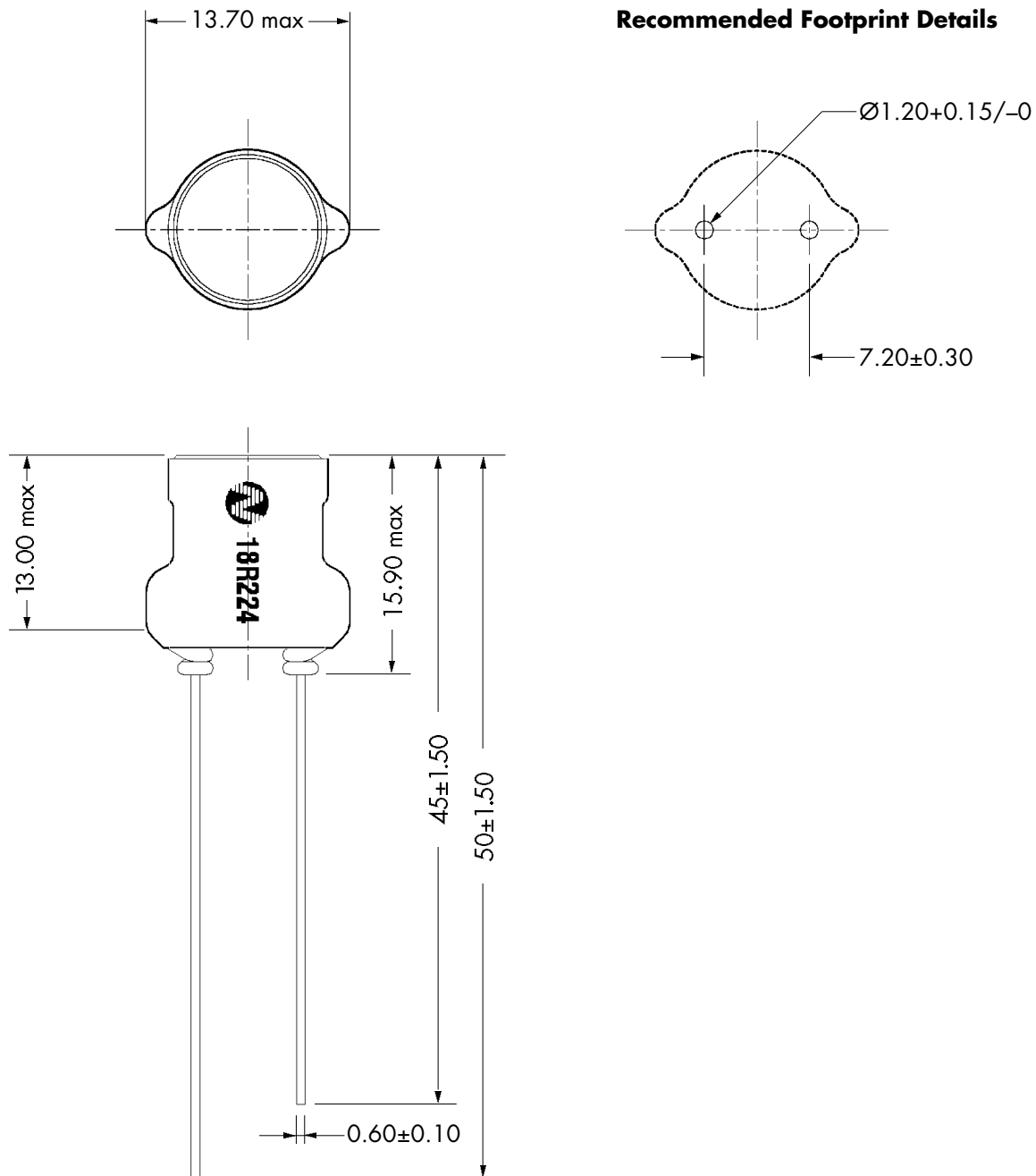
ABSOLUTE MAXIMUM RATINGS	
Operating free air temperature range	0°C to 70°C
Storage temperature range	-55°C to 125°C

¹ Tolerance $\pm 15\%$
Specifications typical at $T_A = 25^\circ\text{C}$

1800R SERIES

Radial Lead Inductors

MECHANICAL DIMENSIONS



All dimensions in mm

C&D Technologies (NCL) Limited reserve the right to alter or improve the specification, internal design or manufacturing process at any time, without notice. Please check with your supplier or visit our web site to ensure that you have the current and complete specification for your product before use.

© C&D Technologies (NCL) Limited 2000

NMP 1800R.2

No part of this publication may be copied, transmitted or stored in a retrieval system or reproduced in any way including, but not limited to, photography, photocopy, magnetic or other recording means, without prior written permission from C&D Technologies (NCL) Limited.

Instructions for use are available from www.dc-dc.com

C&D Technologies (NCL) Ltd
Tanners Drive, Blakelands North
Milton Keynes MK14 5BU, England
Tel: +44 (0)1908 615232
Fax: +44 (0)1908 617545
email: info@cdtechno-ncl.com

www: <http://www.dc-dc.com>

C&D Technologies (NCL), Inc.
8917 Glenwood Avenue, Raleigh
NC 27612, USA
Tel: +1 (919) 571-9405
Fax: +1 (919) 571-9262
email: info@us.cdtechno-ncl.com

C&D TECHNOLOGIES
Power Solutions