

The MRFIC Line

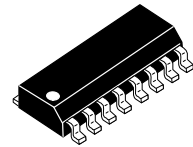
900 MHz GaAs Two-Stage Driver Amplifier

The MRFIC0904 is an integrated driver amplifier designed for class A/B operation in the 800 MHz to 1 GHz frequency range. The design utilizes Motorola's Advanced GaAs FET process to yield superior performance and efficiency in a cost effective monolithic device. Off-chip output matching provides maximum flexibility in design. Applications for the MRFIC0904 include GSM, AMPS, and ISM band transmitters.

- GSM Ramping/Gain Control of 45 dB with Power Control Function (PCNTRL)
- Class 4 P_{out} (1 dB Gain Compression) = 26 dBm @ 4.8 V (Typical)
- Class 4 Supply Current (1 dB) = 120 mA @ 4.8 V (Typical)
- Class 5 P_{out} (1 dB Gain Compression) = 24 dBm 3.6 V (Typical)
- Class 5 Supply Current (1 dB) = 120 mA @ 3.6 V (Typical)
- Low Cost Surface Mount Plastic Package
- Order MRFIC0904R2 for Tape and Reel.
R2 Suffix = 2,500 Units per 16 mm, 13 inch Reel.
- Device Marking = M0904

MRFIC0904

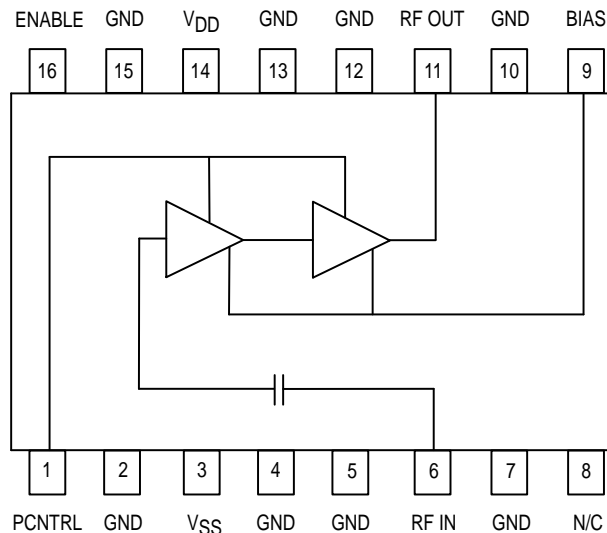
900 MHz GaAs
TWO STAGE DRIVER AMP
INTEGRATED CIRCUIT



CASE 751B-05
(SO-16)

MAXIMUM RATINGS (T_A = 25°C unless otherwise noted)

Rating	Symbol	Limit	Unit
Supply Voltage	V _{DD} V _{SS}	6.0 -3	Vdc
Power Control Voltage	PCNTRL	V _{DD}	Vdc
Enable Voltage	ENABLE	V _{DD}	Vdc
Input Power	P _{in}	5	dBm
Operating Ambient Temperature	T _A	-35 to +85	°C
Storage Temperature	T _{stg}	-65 to +150	°C
Thermal Resistance, Junction to Case	θ _{JC}	60	°C/W



Pin Connections and Functional Block Diagram

RECOMMENDED OPERATING RANGES ($T_A = 25^\circ\text{C}$ unless otherwise noted)

Parameter	Symbol	Value	Unit
Supply Voltage	V_{DD} V_{SS}	2.7 to 5.0 -2.75 to -2.25	Vdc
Bias Voltage Range	BIAS	0 to 1.0	Vdc
Power Control Voltage Range	PCNTRL	0 to 3.0	Vdc
Enable Voltage ON State	ENABLE	2.5	Vdc
Enable Voltage OFF State	ENABLE	0.5	Vdc
RF Frequency	f	800 to 1000	MHz

ELECTRICAL CHARACTERISTICS ($V_{DD} = 3.6\text{ V}$, $V_{SS} = -2.5\text{ V}$, $\text{BIAS} = 0.0\text{ V}$, $\text{PCNTRL} = 3.0\text{ V}$, $\text{ENABLE} = 3.0\text{ V}$, $P_{in} = -2\text{ dBm}$, $f = 900\text{ MHz}$, $Z_0 = 50\ \Omega$, $T_A = 25^\circ\text{C}$ unless otherwise noted)

Characteristic	Min	Typ	Max	Unit
Supply Current				mA
I_{DD}	—	120	160	
I_{SS}	—	1.0	1.75	
Standby Current: Off-mode (ENABLE = 0 V)				μA
I_{DD}	—	50	130	
I_{SS}	—	60	360	
Output Power	22.5	24	—	dBm
Output Power at 1 dB Gain Compression	—	24.5	—	dBm
Input Return Loss	—	14	—	dB
PCNTRL Current	—	200	—	μA
ENABLE Current	—	200	—	μA
Gain Control Range	—	45	—	dB
Enable/Control Input 3 dB Bandwidth	—	1	—	MHz

(1) All electrical Characteristics are measured in test circuit schematic as shown in Figure 1.

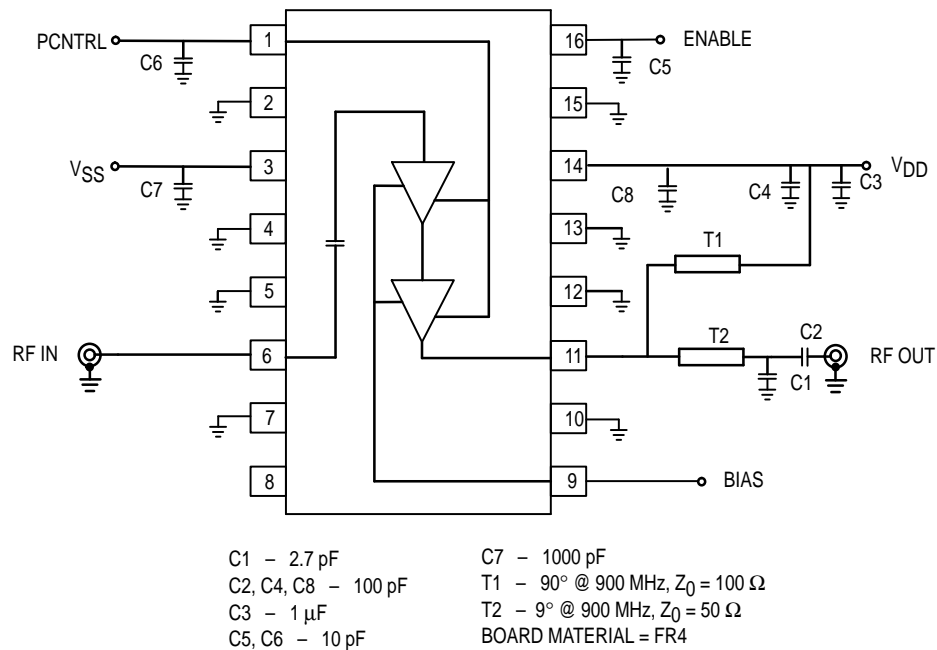


Figure 1. Applications Circuit Configuration

TYPICAL CHARACTERISTICS

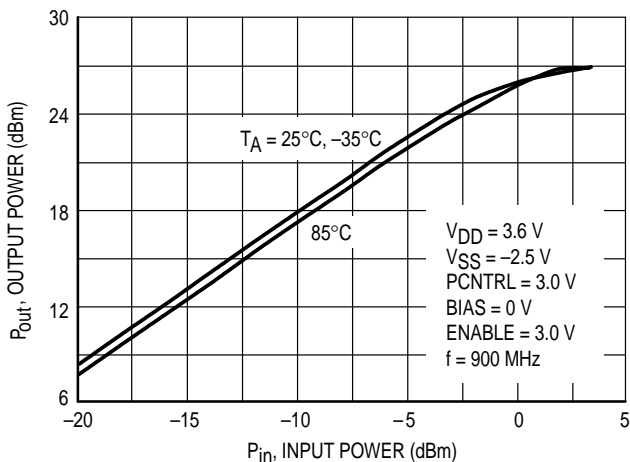


Figure 2. Output Power versus Input Power

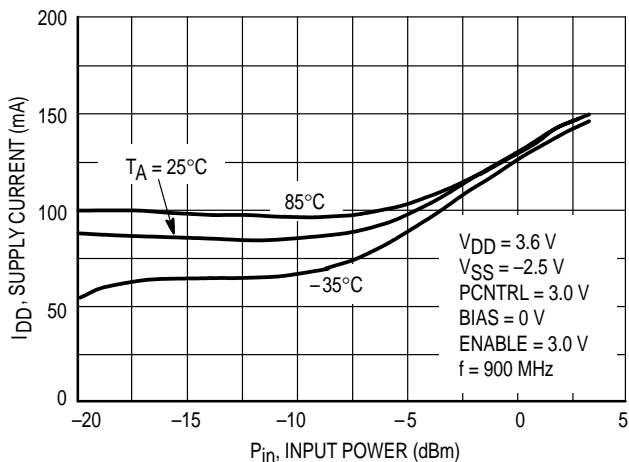


Figure 3. Supply Current versus Input Power

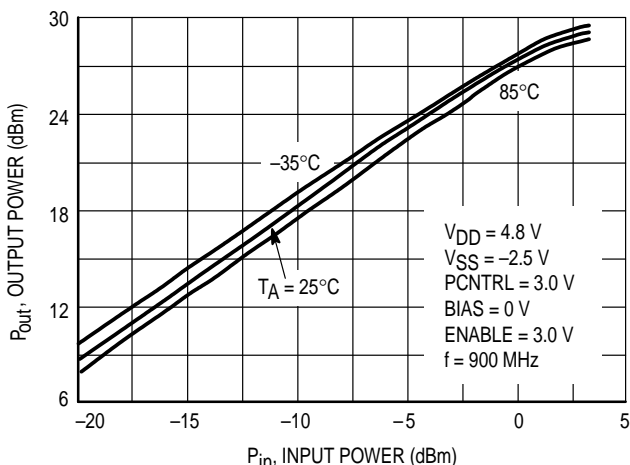


Figure 4. Output Power versus Input Power

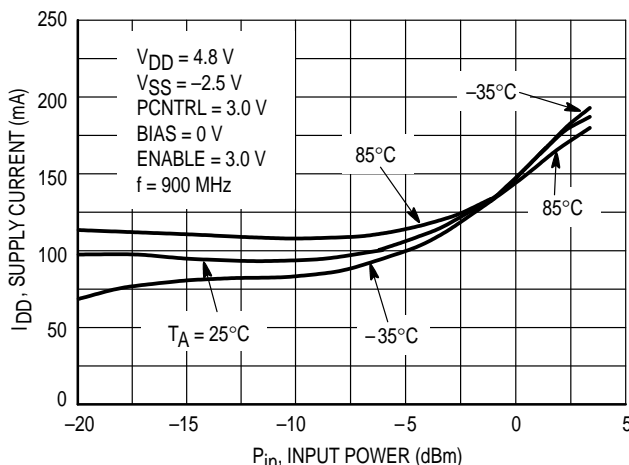


Figure 5. Supply Current versus Input Power

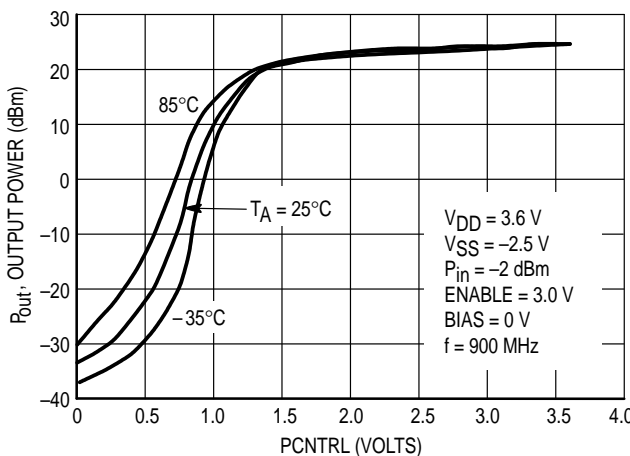


Figure 6. Output Power versus PCNTRL

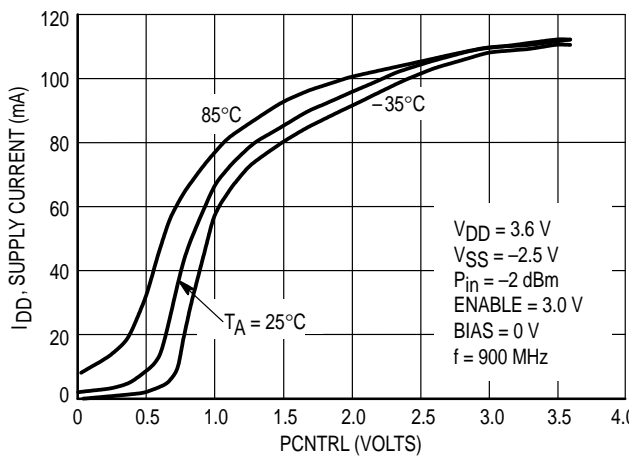


Figure 7. Supply Current versus PCNTRL

TYPICAL CHARACTERISTICS

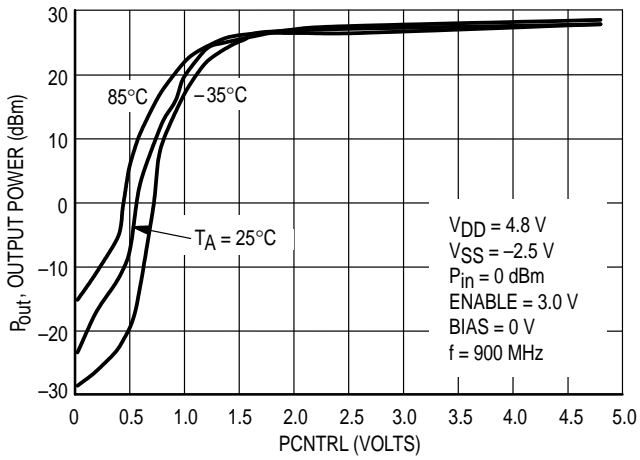


Figure 8. Output Power versus PCNTRL

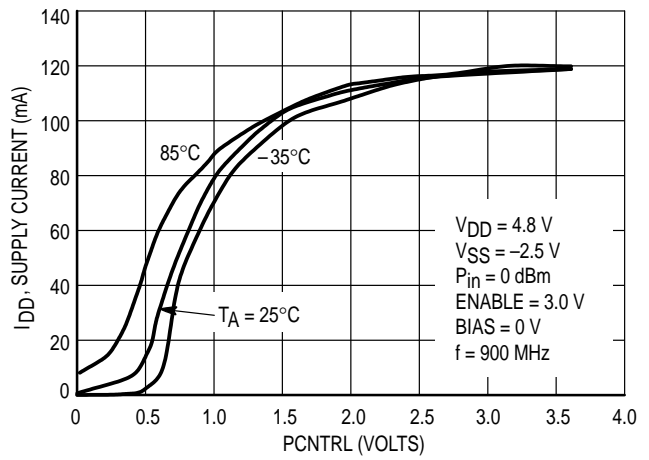


Figure 9. Supply Current versus PCNTRL

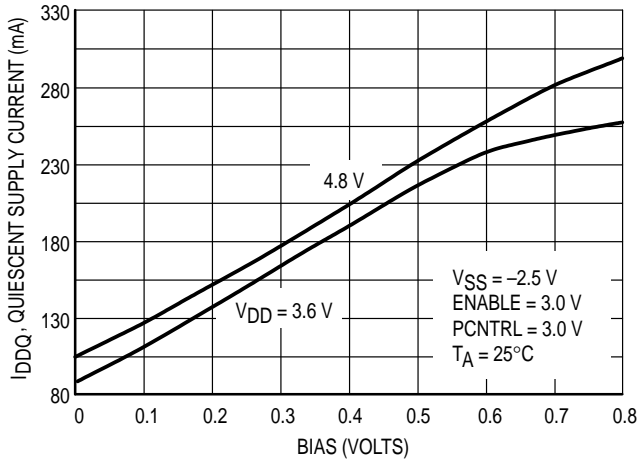


Figure 10. Quiescent Supply Current versus BIAS

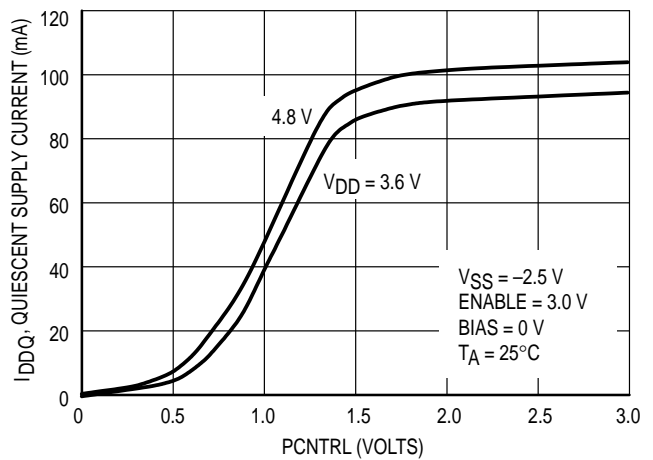


Figure 11. Quiescent Supply Current versus PCNTRL

Table 1. Scattering Parameters(V_{DD} = 3.6 V, V_{SS} = -2.5 V, BIAS = 0.0 V, PCNTRL, ENABLE = 3 V, 50 Ω System)

f MHz	S ₁₁		S ₂₁		S ₁₂		S ₂₂	
	S ₁₁	∠φ	S ₂₁	∠φ	S ₁₂	∠φ	S ₂₂	∠φ
500	0.922	-40.93	12.201	-76.39	0.002	72.64	0.276	166.48
550	0.887	-52.05	16.242	-98.58	0.002	62.03	0.276	169.80
600	0.826	-65.21	21.133	-116.66	0.003	44.52	0.297	175.47
650	0.698	-81.22	28.039	-140.66	0.004	26.65	0.342	173.06
700	0.419	-99.95	33.973	174.46	0.004	6.35	0.360	169.94
750	0.206	-106.43	32.195	145.72	0.006	-9.10	0.393	163.65
800	0.073	-56.19	31.685	121.12	0.006	-31.13	0.392	154.83
850	0.146	-4.45	29.419	85.45	0.006	-47.59	0.351	146.93
900	0.170	-1.59	25.996	64.50	0.006	-61.44	0.305	145.90
950	0.183	10.82	24.115	45.18	0.007	-80.54	0.276	152.91
1000	0.232	27.47	22.091	16.72	0.007	-107.22	0.287	162.87
1050	0.302	34.19	19.995	-5.08	0.007	-116.06	0.310	167.00
1100	0.395	34.85	17.411	-26.64	0.006	-125.77	0.337	170.51
1150	0.522	29.21	14.15	-52.28	0.006	-146.60	0.380	169.57
1200	0.607	23.25	11.961	-71.38	0.005	-154.46	0.403	167.34
1250	0.675	17.30	9.76	-88.04	0.005	-177.16	0.419	163.73
1300	0.743	9.17	7.951	-108.01	0.004	160.61	0.436	159.33

Table 2. Scattering Parameters(V_{DD} = 4.8 V, V_{SS} = -2.5 V, BIAS = 0.0 V, PCNTRL, ENABLE = 3 V, 50 Ω System)

f MHz	S ₁₁		S ₂₁		S ₁₂		S ₂₂	
	S ₁₁	∠φ	S ₂₁	∠φ	S ₁₂	∠φ	S ₂₂	∠φ
500	0.910	-41.17	12.58	-78.69	0.0012	65.66	0.228	168.72
550	0.873	-51.75	17.09	-99.91	0.0024	43.49	0.232	172.87
600	0.807	-64.98	22.33	-118.28	0.0032	48.13	0.252	177.75
650	0.671	-81.03	29.24	-142.97	0.0041	17.29	0.293	174.31
700	0.409	-100.12	35.95	172.30	0.0040	-10.22	0.326	172.83
750	0.200	-104.83	34.04	143.18	0.0055	-14.65	0.349	164.57
800	0.080	-53.72	33.08	118.78	0.0056	-28.05	0.345	156.12
850	0.142	-6.52	30.64	83.58	0.0057	-45.38	0.307	147.87
900	0.165	0.32	27.22	62.36	0.0065	-62.81	0.248	146.40
850	0.187	14.68	24.95	41.95	0.0066	-86.95	0.226	146.72
1000	0.252	28.28	22.30	14.13	0.0062	-100.71	0.257	167.95
1050	0.323	32.92	20.06	-7.52	0.0057	-113.16	0.279	172.05
1100	0.409	32.35	17.37	-28.14	0.0049	-121.71	0.310	173.62
1150	0.527	26.77	14.03	-53.24	0.0051	-152.49	0.349	171.86
1200	0.606	21.18	11.89	-71.66	0.0051	-159.64	0.365	169.36
1250	0.669	15.59	9.74	-87.41	0.0043	-155.55	0.381	163.46
1300	0.735	8.10	7.96	-107.51	0.0039	171.99	0.397	161.81

APPLICATIONS INFORMATION

DESIGN PHILOSOPHY

The MRFIC0904 is a versatile driver amplifier designed to operate in the 800 MHz to 1 GHz frequency range for cellular phone and Industrial, Scientific, and Medical (ISM) applications. The amplifier is designed using depletion mode GaAs MESFETs to perform at high efficiency at battery voltages of 3.6 and 4.8 Volts. While designed as a driver amplifier for a discrete transistor final stage, the device can act as a power amplifier for lower power systems such as ISM applications in telemetry and cordless telephones.

THEORY OF OPERATION

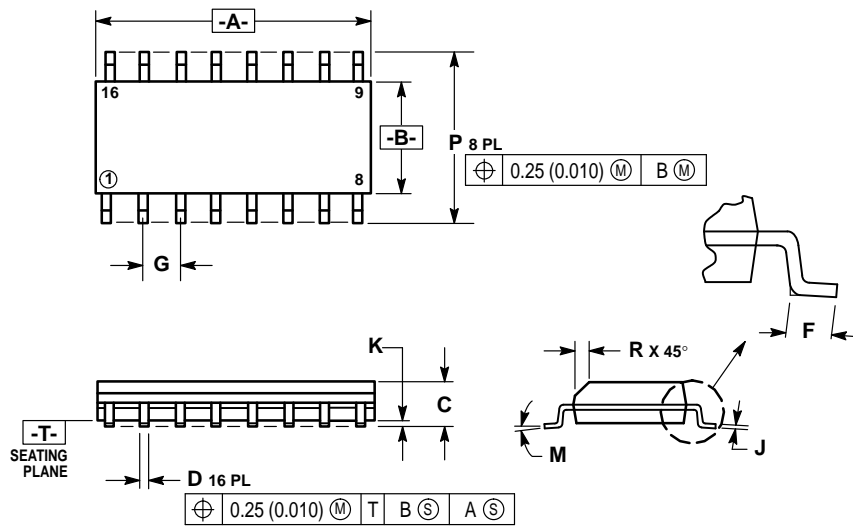
The MRFIC0904 has various control features making it versatile and applicable to both linear and saturated applications. The BIAS pin allows the setting of drain quiescent current. For non-linear applications such as GSM cellular, the pin can be grounded. For better gain and linearity, a positive voltage up to about 0.6 Volts can be applied. The PCNTRL pin allows

the control of the output power over a wide dynamic range with low AM to AM distortion such as is required in GSM and other cellular systems. As shown in Figures 6 through 9, PCNTRL affects both the output power and the drain current thus maintaining good efficiency over a range of output power. The ENABLE pin is used to control the on-off state of the device and is useful as a reduced current standby control. A logic high signal of more than 2.5 Volts turns the device on. A logic low signal of less than 0.5 Volts reduces total supply current to typically less than 200 μ A.

EVALUATION BOARDS

Evaluation boards are available for RF Monolithic Integrated Circuits by adding a "TF" suffix to the device type. For a complete list of currently available boards and ones in development for newly introduced product, please contact your local Motorola Distributor or Sales Office.

PACKAGE DIMENSIONS




NOTES:

1. DIMENSIONING AND TOLERANCING PER ANSI Y14.5M, 1982.
2. CONTROLLING DIMENSION: MILLIMETER.
3. DIMENSIONS A AND B DO NOT INCLUDE MOLD PROTRUSION.
4. MAXIMUM MOLD PROTRUSION 0.15 (0.006) PER SIDE.
5. DIMENSION D DOES NOT INCLUDE DAMBAR PROTRUSION. ALLOWABLE DAMBAR PROTRUSION SHALL BE 0.127 (0.005) TOTAL IN EXCESS OF THE D DIMENSION AT MAXIMUM MATERIAL CONDITION.

DIM	MILLIMETERS		INCHES	
	MIN	MAX	MIN	MAX
A	9.80	10.00	0.386	0.393
B	3.80	4.00	0.150	0.157
C	1.35	1.75	0.054	0.068
D	0.35	0.49	0.014	0.019
F	0.40	1.25	0.016	0.049
G	1.27 BSC		0.050 BSC	
J	0.19	0.25	0.008	0.009
K	0.10	0.25	0.004	0.009
M	0°	7°	0°	7°
P	5.80	6.20	0.229	0.244
R	0.25	0.50	0.010	0.019

**CASE 751B-05
ISSUE J**

Motorola reserves the right to make changes without further notice to any products herein. Motorola makes no warranty, representation or guarantee regarding the suitability of its products for any particular purpose, nor does Motorola assume any liability arising out of the application or use of any product or circuit, and specifically disclaims any and all liability, including without limitation consequential or incidental damages. "Typical" parameters can and do vary in different applications. All operating parameters, including "Typicals" must be validated for each customer application by customer's technical experts. Motorola does not convey any license under its patent rights nor the rights of others. Motorola products are not designed, intended, or authorized for use as components in systems intended for surgical implant into the body, or other applications intended to support or sustain life, or for any other application in which the failure of the Motorola product could create a situation where personal injury or death may occur. Should Buyer purchase or use Motorola products for any such unintended or unauthorized application, Buyer shall indemnify and hold Motorola and its officers, employees, subsidiaries, affiliates, and distributors harmless against all claims, costs, damages, and expenses, and reasonable attorney fees arising out of, directly or indirectly, any claim of personal injury or death associated with such unintended or unauthorized use, even if such claim alleges that Motorola was negligent regarding the design or manufacture of the part. Motorola and  are registered trademarks of Motorola, Inc. Motorola, Inc. is an Equal Opportunity/Affirmative Action Employer.

How to reach us:

USA / EUROPE: Motorola Literature Distribution;
P.O. Box 20912; Phoenix, Arizona 85036. 1-800-441-2447

JAPAN: Nippon Motorola Ltd.; Tatsumi-SPD-JLDC, Toshikatsu Otsuki,
6F Seibu-Butsuryu-Center, 3-14-2 Tatsumi Koto-Ku, Tokyo 135, Japan. 03-3521-8315

MFAX: RMFAX0@email.sps.mot.com - TOUCHTONE (602) 244-6609
INTERNET: <http://Design-NET.com>

HONG KONG: Motorola Semiconductors H.K. Ltd.; 8B Tai Ping Industrial Park,
51 Ting Kok Road, Tai Po, N.T., Hong Kong. 852-26629298



MRFIC0904/D

