

# DATA SHEET

**SA572**

Programmable analog compandor

Product specification

1998 Nov 03

IC17 Data Handbook

# Programmable analog compandor

# SA572

## DESCRIPTION

The SA572 is a dual-channel, high-performance gain control circuit in which either channel may be used for dynamic range compression or expansion. Each channel has a full-wave rectifier to detect the average value of input signal, a linearized, temperature-compensated variable gain cell ( $\Delta G$ ) and a dynamic time constant buffer. The buffer permits independent control of dynamic attack and recovery time with minimum external components and improved low frequency gain control ripple distortion over previous compandors.

The SA572 is intended for noise reduction in high-performance audio systems. It can also be used in a wide range of communication systems and video recording applications.

## FEATURES

- Independent control of attack and recovery time
- Improved low frequency gain control ripple
- Complementary gain compression and expansion with external op amp
- Wide dynamic range—greater than 110dB
- Temperature-compensated gain control
- Low distortion gain cell
- Low noise— $6\mu\text{V}$  typical
- Wide supply voltage range—6V-22V
- System level adjustable with external components

## ORDERING INFORMATION

DESCRIPTION	TEMPERATURE RANGE	ORDER CODE	DWG #
16-Pin Plastic Small Outline (SOL)	-40 to +85°C	SA572D	SOT162-1
16-Pin Plastic Dual In-Line Package (DIP)	-40 to +85°C	SA572N	SOT38-4

## ABSOLUTE MAXIMUM RATINGS

SYMBOL	PARAMETER	RATING	UNIT
$V_{CC}$	Supply voltage	22	$V_{DC}$
$T_A$	Operating temperature range SA572	-40 to +85	°C
$P_D$	Power dissipation	500	mW

## PIN CONFIGURATION

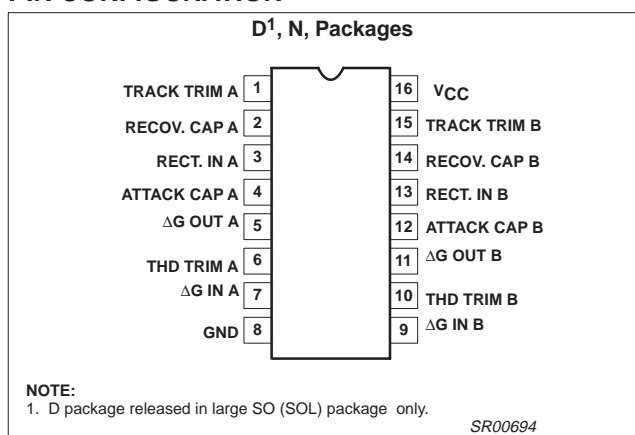


Figure 1. Pin Configuration

## APPLICATIONS

- Dynamic noise reduction system
- Voltage control amplifier
- Stereo expander
- Automatic level control
- High-level limiter
- Low-level noise gate
- State variable filter

# Programmable analog compandor

# SA572

## BLOCK DIAGRAM

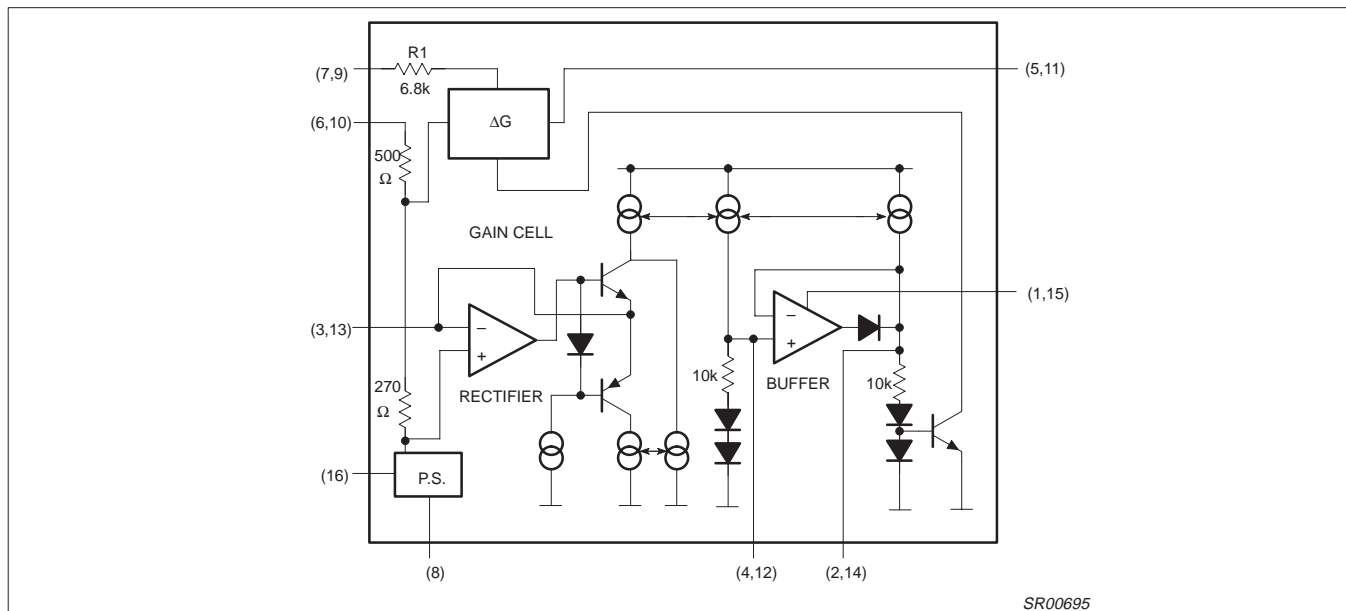


Figure 2. Block Diagram

## DC ELECTRICAL CHARACTERISTICS

Standard test conditions (unless otherwise noted)  $V_{CC}=15V$ ,  $T_A=25^\circ C$ ; Expander mode (see Test Circuit).  
 Input signals at unity gain level (0dB) =  $100mV_{RMS}$  at 1kHz;  $V_1 = V_2$ ;  $R_2 = 3.3k\Omega$ ;  $R_3 = 17.3k\Omega$ .

SYMBOL	PARAMETER	TEST CONDITIONS	SA572			UNIT
			Min	Typ	Max	
$V_{CC}$	Supply voltage		6		22	$V_{DC}$
$I_{CC}$	Supply current	No signal			6.3	mA
$V_R$	Internal voltage reference		2.3	2.5	2.7	$V_{DC}$
THD	Total harmonic distortion (untrimmed)	1kHz $C_A=1.0\mu F$		0.2	1.0	%
THD	Total harmonic distortion (trimmed)	1kHz $C_R=10\mu F$		0.05		%
THD	Total harmonic distortion (trimmed)	100Hz		0.25		%
	No signal output noise	Input to $V_1$ and $V_2$ grounded (20–20kHz)		6	25	$\mu V$
	DC level shift (untrimmed)	Input change from no signal to $100mV_{RMS}$		$\pm 20$	$\pm 50$	mV
	Unity gain level		-1.5	0	+1.5	dB
	Large-signal distortion	$V_1=V_2=400mV$		0.7	3	%
	Tracking error (measured relative to value at unity gain) = $[V_O - V_O(\text{unity gain})]dB - V_2dB$	Rectifier input $V_2=+6dB$ $V_1=0dB$		$\pm 0.2$		dB
		$V_2=-30dB$ $V_1=0dB$		$\pm 0.5$	-2.5, +1.6	dB
	Channel crosstalk	$200mV_{RMS}$ into channel A, measured output on channel B	60			dB
PSRR	Power supply rejection ratio	120Hz		70		dB

## Programmable analog compandor

SA572

## TEST CIRCUIT

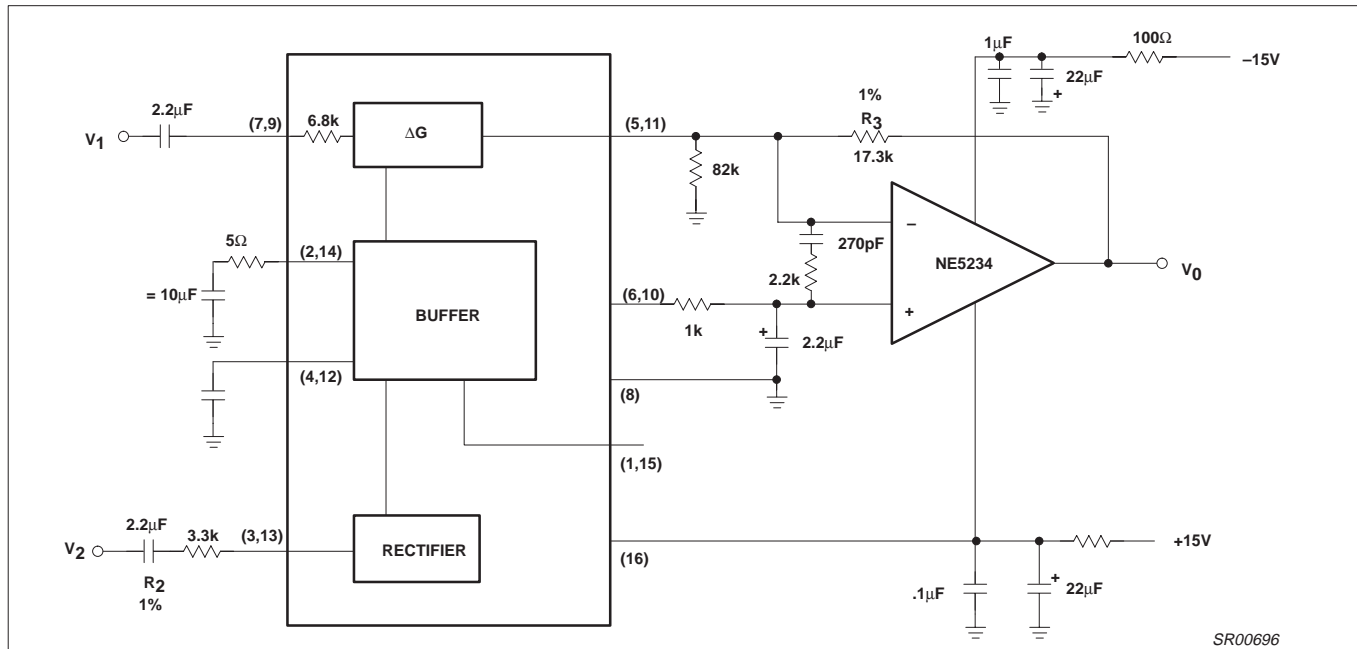


Figure 3. Test Circuit

### AUDIO SIGNAL PROCESSING IC COMBINES VCA AND FAST ATTACK/SLOW RECOVERY LEVEL SENSOR

In high-performance audio gain control applications, it is desirable to independently control the attack and recovery time of the gain control signal. This is true, for example, in compandor applications for noise reduction. In high end systems the input signal is usually split into two or more frequency bands to optimize the dynamic behavior for each band. This reduces low frequency distortion due to control signal ripple, phase distortion, high frequency channel overload and noise modulation. Because of the expense in hardware, multiple band signal processing up to now was limited to professional audio applications.

With the introduction of the Signetics SA572 this high-performance noise reduction concept becomes feasible for consumer hi fi applications. The SA572 is a dual channel gain control IC. Each channel has a linearized, temperature-compensated gain cell and an improved level sensor. In conjunction with an external low noise op

amp for current-to-voltage conversion, the VCA features low distortion, low noise and wide dynamic range.

The novel level sensor which provides gain control current for the VCA gives lower gain control ripple and independent control of fast attack, slow recovery dynamic response. An attack capacitor  $C_A$  with an internal 10k resistor  $R_A$  defines the attack time  $t_A$ . The recovery time  $t_R$  of a tone burst is defined by a recovery capacitor  $C_R$  and an internal 10k resistor  $R_R$ . Typical attack time of 4ms for the high-frequency spectrum and 40ms for the low frequency band can be obtained with 0.1μF and 1.0μF attack capacitors, respectively. Recovery time of 200ms can be obtained with a 4.7μF recovery capacitor for a 100Hz signal, the third harmonic distortion is improved by more than 10dB over the simple RC ripple filter with a single 1.0μF attack and recovery capacitor, while the attack time remains the same.

The SA572 is assembled in a standard 16-pin dual in-line plastic package and in oversized SOL package. It operates over a wide supply range from 6V to 22V. Supply current is less than 6mA. The SA572 is designed for applications from  $-40^{\circ}\text{C}$  to  $+85^{\circ}\text{C}$ .

# Programmable analog compandor

# SA572

## SA572 BASIC APPLICATIONS

### Description

The SA572 consists of two linearized, temperature-compensated gain cells ( $\Delta G$ ), each with a full-wave rectifier and a buffer amplifier as shown in the block diagram. The two channels share a 2.5V common bias reference derived from the power supply but otherwise operate independently. Because of inherent low distortion, low noise and the capability to linearize large signals, a wide dynamic range can be obtained. The buffer amplifiers are provided to permit control of attack time and recovery time independent of each other.

Partitioned as shown in the block diagram, the IC allows flexibility in the design of system levels that optimize DC shift, ripple distortion, tracking accuracy and noise floor for a wide range of application requirements.

### Gain Cell

Figure 4 shows the circuit configuration of the gain cell. Bases of the differential pairs  $Q_1$ - $Q_2$  and  $Q_3$ - $Q_4$  are both tied to the output and inputs of OPA A1. The negative feedback through  $Q_1$  holds the  $V_{BE}$  of  $Q_1$ - $Q_2$  and the  $V_{BE}$  of  $Q_3$ - $Q_4$  equal. The following relationship can be derived from the transistor model equation in the forward active region.

$$\Delta V_{BEQ3Q4} = \Delta V_{BEQ1Q2}$$

$$(V_{BE} = V_T I_{IN} IC/IS)$$

$$V_{Tn} \left( \frac{\frac{1}{2} I_G + \frac{1}{2} I_O}{I_S} \right) - V_{Tn} \left( \frac{\frac{1}{2} I_G - \frac{1}{2} I_O}{I_S} \right)$$

$$\text{where } I_{IN} = \frac{V_{IN}}{R_1}$$

$$R_1 = 6.8k\Omega$$

$$I_1 = 140\mu A$$

$$I_2 = 280\mu A$$

$$V_{Tn} I_{IN} \left( \frac{I_1 + I_{IN}}{I_S} \right) - V_{Tn} I_{IN} \left( \frac{I_2 - I_1 - I_{IN}}{I_S} \right) \quad (2)$$

$$\text{where } I_{IN} = \frac{V_{IN}}{R_1}$$

$$R_1 = 6.8k\Omega$$

$$I_1 = 140\mu A$$

$$I_2 = 280\mu A$$

$I_O$  is the differential output current of the gain cell and  $I_G$  is the gain control current of the gain cell.

If all transistors  $Q_1$  through  $Q_4$  are of the same size, equation (2) can be simplified to:

$$I_O = \frac{2}{I_2} \cdot I_{IN} \cdot I_G - \frac{1}{I_2} (I_2 - 2I_1) \cdot I_G \quad (3)$$

The first term of Equation 3 shows the multiplier relationship of a linearized two quadrant transconductance amplifier. The second term is the gain control feedthrough due to the mismatch of devices. In the design, this has been minimized by large matched devices and careful layout. Offset voltage is caused by the device mismatch and it leads to even harmonic distortion. The offset voltage can be trimmed out by feeding a current source within  $\pm 25\mu A$  into the THD trim pin.

The residual distortion is third harmonic distortion and is caused by gain control ripple. In a compandor system, available control of fast attack and slow recovery improve ripple distortion significantly. At the unity gain level of 100mV, the gain cell gives THD (total harmonic distortion) of 0.17% typ. Output noise with no input signals is only  $6\mu V$  in the audio spectrum (10Hz-20kHz). The output current  $I_O$  must feed the virtual ground input of an operational amplifier with a resistor from output to inverting input. The non-inverting input of the operational amplifier has to be biased at  $V_{REF}$  if the output current  $I_O$  is DC coupled.

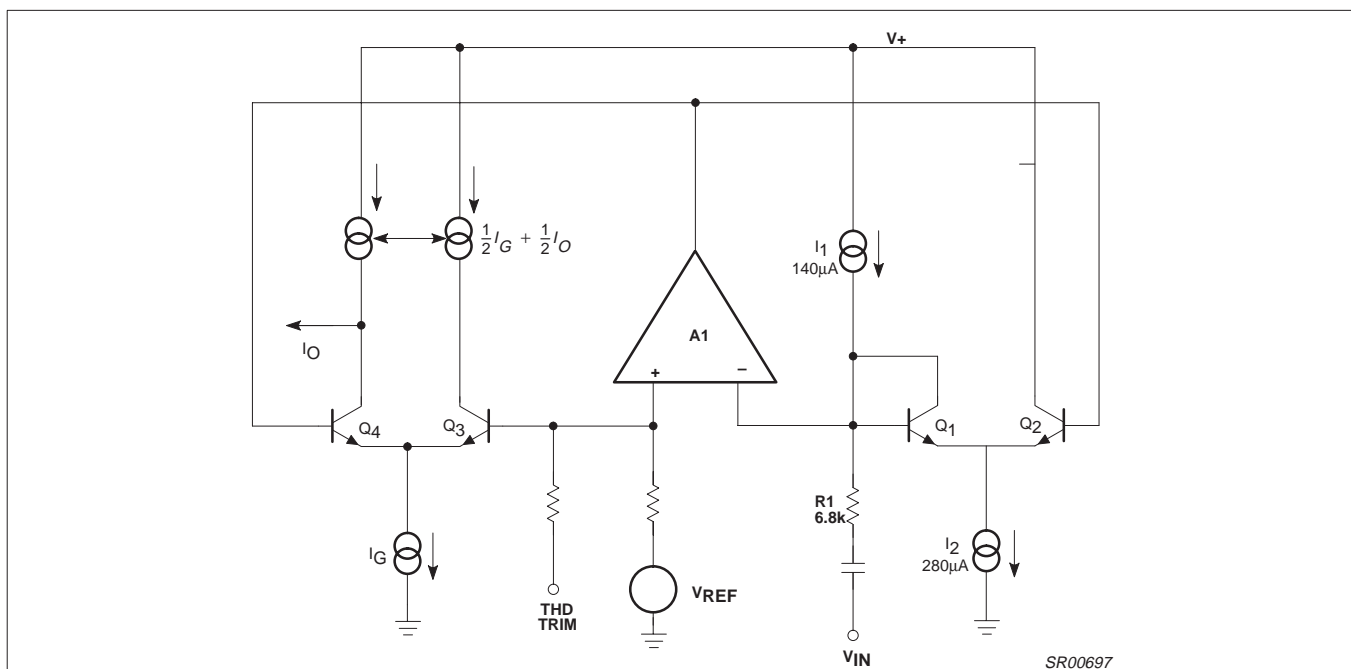


Figure 4. Basic Gain Cell Schematic

# Programmable analog compandor

# SA572

## Rectifier

The rectifier is a full-wave design as shown in Figure 5. The input voltage is converted to current through the input resistor  $R_2$  and turns on either  $Q_5$  or  $Q_6$  depending on the signal polarity. Deadband of the voltage to current converter is reduced by the loop gain of the gain block  $A_2$ . If AC coupling is used, the rectifier error comes only from input bias current of gain block  $A_2$ . The input bias current is typically about 70nA. Frequency response of the gain block  $A_2$  also causes second-order error at high frequency. The collector current of  $Q_6$  is mirrored and summed at the collector of  $Q_5$  to form the full wave rectified output current  $I_R$ . The rectifier transfer function is

$$I_R = \frac{V_{IN} - V_{REF}}{R_2} \quad (4)$$

If  $V_{IN}$  is AC-coupled, then the equation will be reduced to:

$$I_{RAC} = \frac{V_{IN(AVG)}}{R_2}$$

The internal bias scheme limits the maximum output current  $I_R$  to be around 300µA. Within a ±1dB error band the input range of the rectifier is about 52dB.

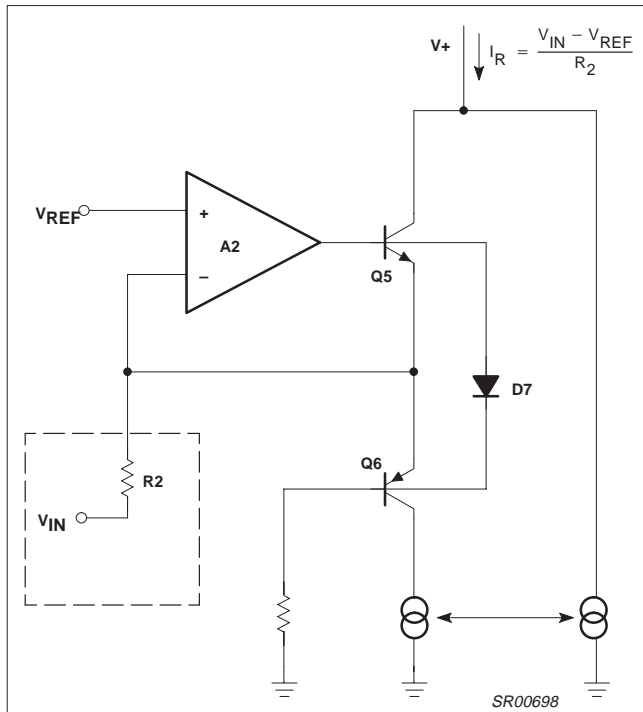


Figure 5. Simplified Rectifier Schematic

## Buffer Amplifier

In audio systems, it is desirable to have fast attack time and slow recovery time for a tone burst input. The fast attack time reduces transient channel overload but also causes low-frequency ripple distortion. The low-frequency ripple distortion can be improved with the slow recovery time. If different attack times are implemented in corresponding frequency spectrums in a split band audio system, high quality performance can be achieved. The buffer amplifier is designed to make this feature available with minimum external components. Referring to Figure 6, the rectifier output current is mirrored into the input and output of the unipolar buffer amplifier  $A_3$  through  $Q_8$ ,  $Q_9$  and  $Q_{10}$ . Diodes  $D_{11}$  and  $D_{12}$  improve tracking accuracy and provide common-mode bias for  $A_3$ . For a positive-going input signal, the buffer amplifier acts like a voltage-follower. Therefore, the output impedance of  $A_3$  makes the contribution of capacitor CR to attack time insignificant. Neglecting diode impedance, the gain  $G_a(t)$  for  $\Delta G$  can be expressed as follows:

$$G_a(t) = (G_{aINT} - G_{aFNL} e^{-\frac{t}{\tau_A}} + G_{aFNL})$$

$G_{aINT}$ =Initial Gain

$G_{aFNL}$ =Final Gain

$$\tau_A = R_A \cdot C_A = 10k \cdot C_A$$

where  $\tau_A$  is the attack time constant and  $R_A$  is a 10k internal resistor. Diode  $D_{15}$  opens the feedback loop of  $A_3$  for a negative-going signal if the value of capacitor CR is larger than capacitor CA. The recovery time depends only on  $CR \cdot R_R$ . If the diode impedance is assumed negligible, the dynamic gain  $G_R(t)$  for  $\Delta G$  is expressed as follows.

$$G_R(t) = (G_{RINT} - G_{RFNL} e^{-\frac{t}{\tau_R}} + G_{RFNL})$$

$$G_R(t) = (G_{RINT} - G_{RFNL}) e^{-\frac{t}{\tau_R}} + G_{RFNL}$$

$$\tau_R = R_R \cdot C_R = 10k \cdot C_R$$

where  $\tau_R$  is the recovery time constant and  $R_R$  is a 10k internal resistor. The gain control current is mirrored to the gain cell through  $Q_{14}$ . The low level gain errors due to input bias current of  $A_2$  and  $A_3$  can be trimmed through the tracking trim pin into  $A_3$  with a current source of ±3µA.



# Programmable analog compandor

# SA572

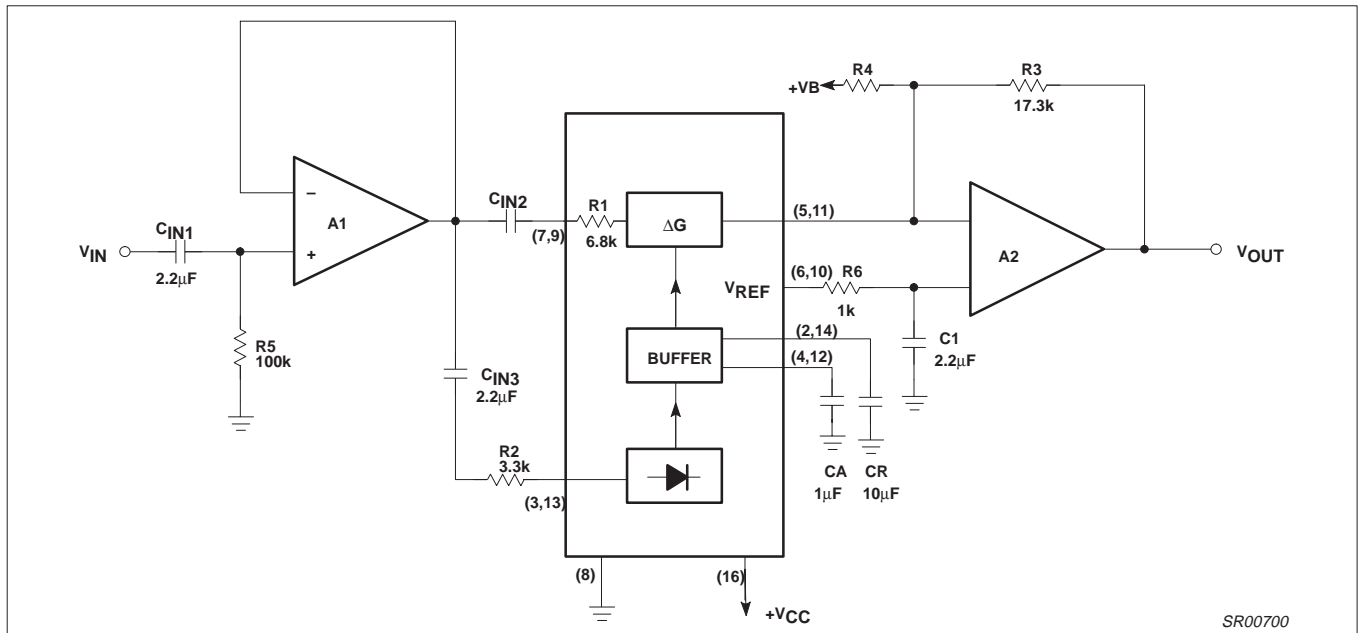


Figure 7. Basic Expander Schematic

## Basic Compressor

Figure 8 shows the hook-up of the circuit as a compressor. The IC is put in the feedback loop of the OPA A1. The system gain expression is as follows:

$$\frac{V_{OUT}}{V_{IN}} = \left( \frac{I_1}{2} \cdot \frac{R_2 \cdot R_1}{R_3 \cdot V_{IN(AVG)}} \right)^{\frac{1}{2}} \quad (7)$$

R<sub>DC1</sub>, R<sub>DC2</sub>, and CDC form a DC feedback for A<sub>1</sub>. The output DC level of A<sub>1</sub> is given by

$$V_{ODC} = V_{REF} \left( 1 + \frac{R_{DC1} + R_{DC2}}{R_4} \right) - V_B \cdot \left( \frac{R_{DC1} + R_{DC2}}{R_4} \right) \quad (8)$$

The zener diodes D<sub>1</sub> and D<sub>2</sub> are used for channel overload protection.

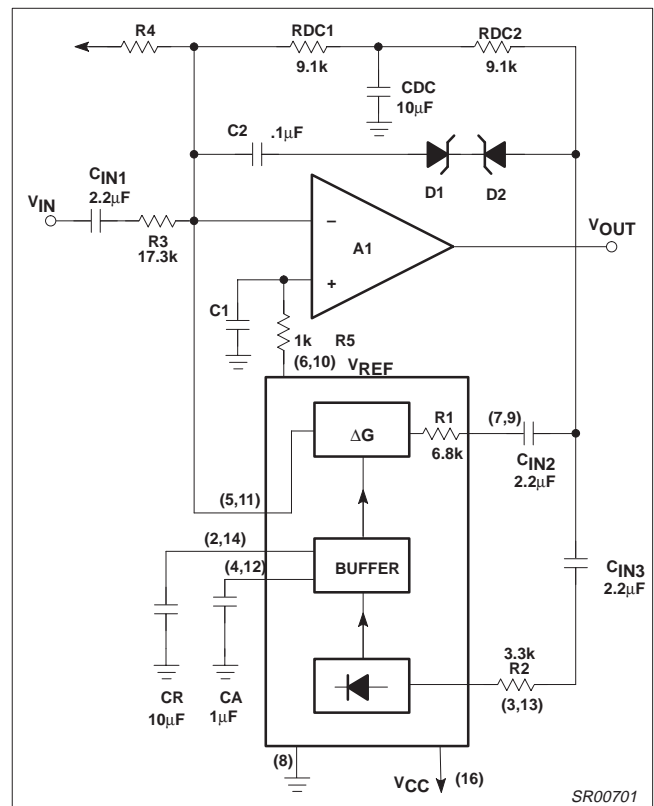


Figure 8. Basic Compressor Schematic



# Programmable analog compandor

# SA572

## Basic Compandor System

The above basic compressor and expander can be applied to systems such as tape/disc noise reduction, digital audio, bucket brigade delay lines. Additional system design techniques such as

bandlimiting, band splitting, pre-emphasis, de-emphasis and equalization are easy to incorporate. The IC is a versatile functional block to achieve a high performance audio system. Figure 9 shows the system level diagram for reference.

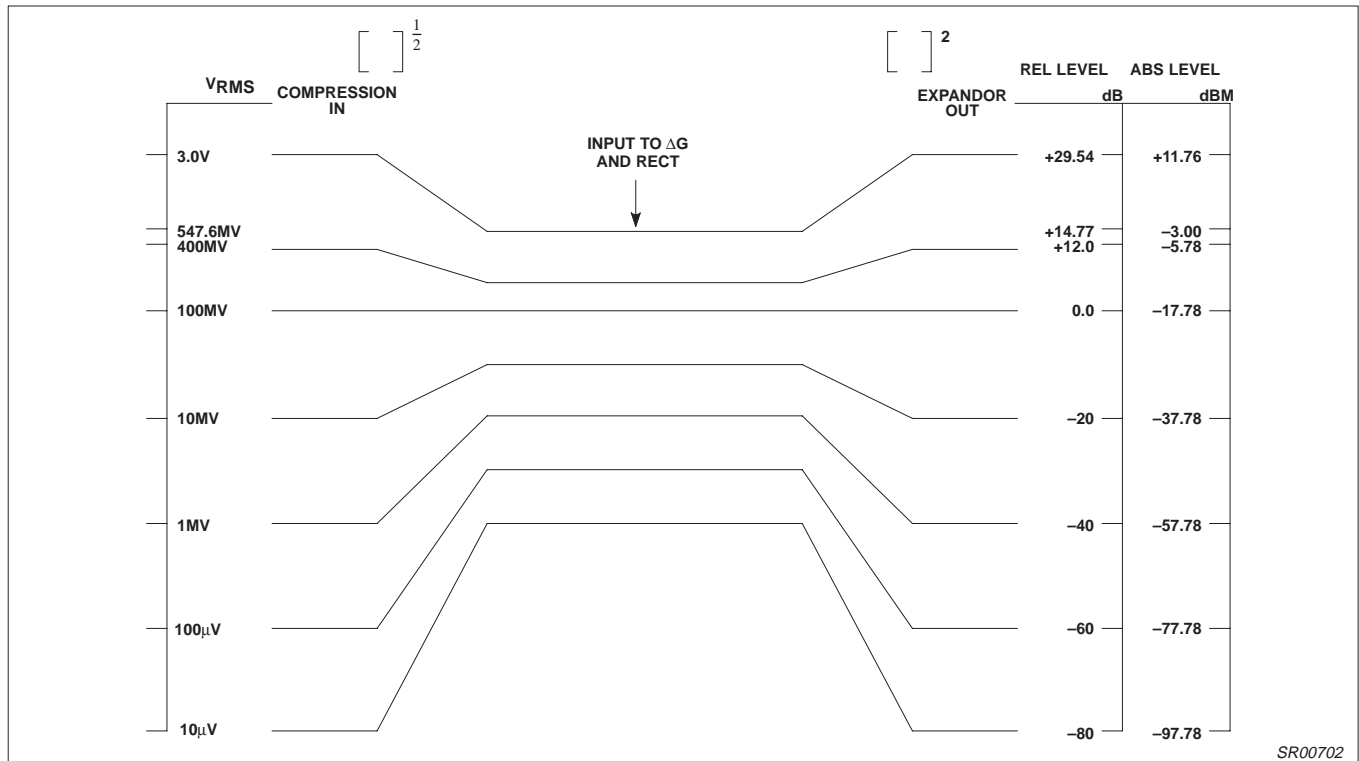


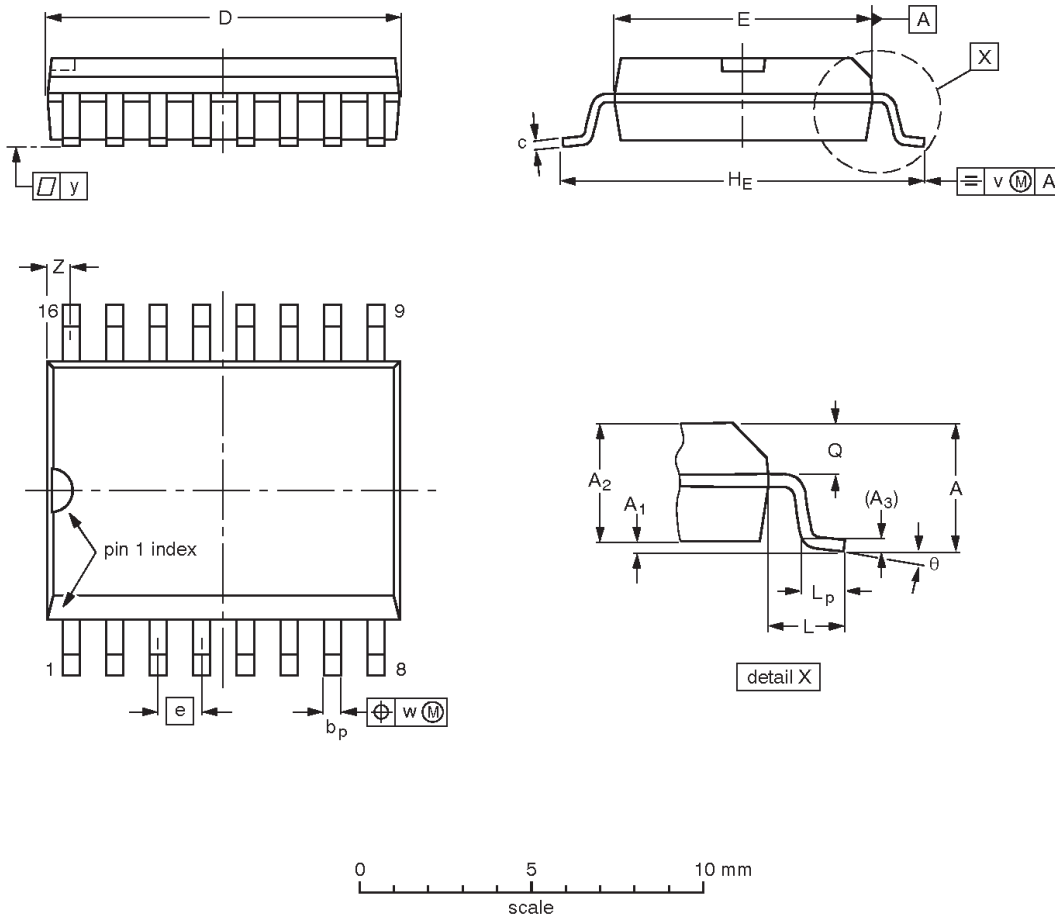
Figure 9. SA572 System Level

# Programmable analog compandor

# SA572

**SO16: plastic small outline package; 16 leads; body width 7.5 mm**

**SOT162-1**



**DIMENSIONS (inch dimensions are derived from the original mm dimensions)**

UNIT	A max.	A <sub>1</sub>	A <sub>2</sub>	A <sub>3</sub>	b <sub>p</sub>	c	D <sup>(1)</sup>	E <sup>(1)</sup>	e	H <sub>E</sub>	L	L <sub>p</sub>	Q	v	w	y	z <sup>(1)</sup>	θ
mm	2.65	0.30 0.10	2.45 2.25	0.25	0.49 0.36	0.32 0.23	10.5 10.1	7.6 7.4	1.27	10.65 10.00	1.4	1.1 0.4	1.1 1.0	0.25	0.25	0.1	0.9 0.4	8° 0°
inches	0.10	0.012 0.004	0.096 0.089	0.01	0.019 0.014	0.013 0.009	0.41 0.40	0.30 0.29	0.050	0.419 0.394	0.055	0.043 0.016	0.043 0.039	0.01	0.01	0.004	0.035 0.016	

**Note**

1. Plastic or metal protrusions of 0.15 mm maximum per side are not included.

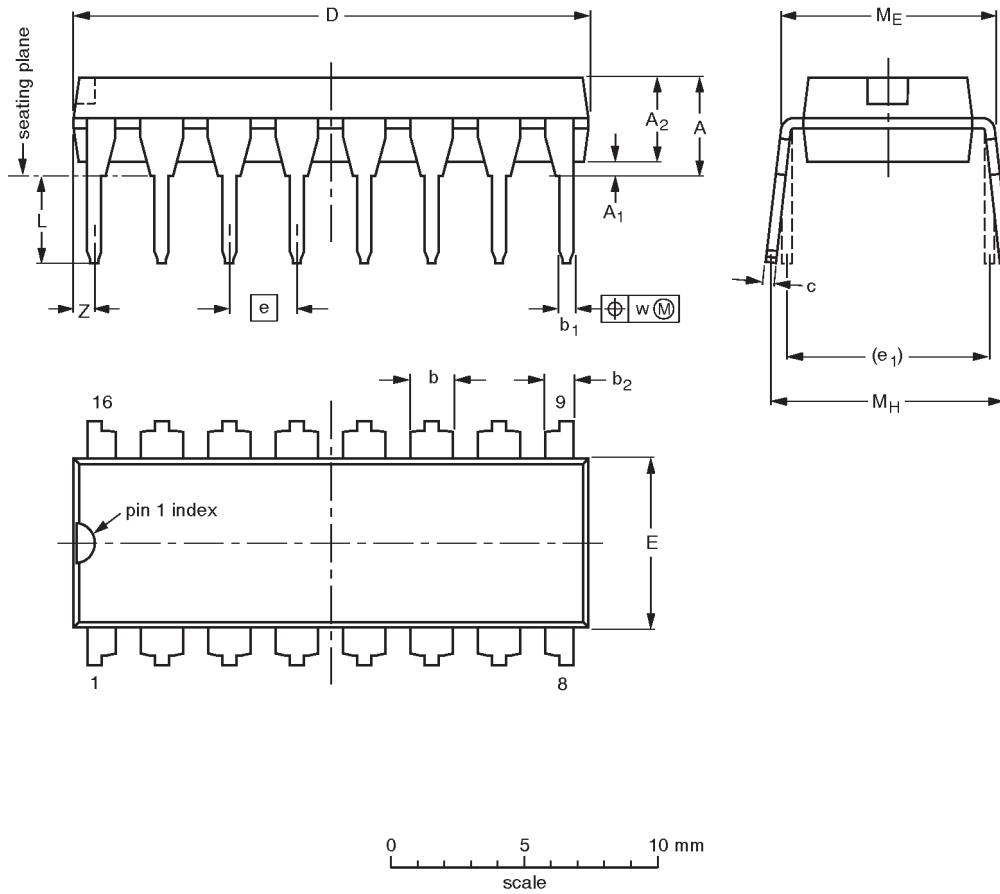
OUTLINE VERSION	REFERENCES				EUROPEAN PROJECTION	ISSUE DATE
	IEC	JEDEC	EIAJ			
SOT162-1	075E03	MS-013AA				95-01-24 97-05-22

# Programmable analog compandor

## SA572

DIP16: plastic dual in-line package; 16 leads (300 mil)

SOT38-4



**DIMENSIONS (inch dimensions are derived from the original mm dimensions)**

UNIT	A max.	A <sub>1</sub> min.	A <sub>2</sub> max.	b	b <sub>1</sub>	b <sub>2</sub>	c	D <sup>(1)</sup>	E <sup>(1)</sup>	e	e <sub>1</sub>	L	M <sub>E</sub>	M <sub>H</sub>	w	Z <sup>(1)</sup> max.
mm	4.2	0.51	3.2	1.73 1.30	0.53 0.38	1.25 0.85	0.36 0.23	19.50 18.55	6.48 6.20	2.54	7.62	3.60 3.05	8.25 7.80	10.0 8.3	0.254	0.76
inches	0.17	0.020	0.13	0.068 0.051	0.021 0.015	0.049 0.033	0.014 0.009	0.77 0.73	0.26 0.24	0.10	0.30	0.14 0.12	0.32 0.31	0.39 0.33	0.01	0.030

**Note**

1. Plastic or metal protrusions of 0.25 mm maximum per side are not included.

OUTLINE VERSION	REFERENCES				EUROPEAN PROJECTION	ISSUE DATE
	IEC	JEDEC	EIAJ			
SOT38-4						92-11-17 95-01-14

# Programmable analog compandor

SA572

## Data sheet status

Data sheet status	Product status	Definition [1]
Objective specification	Development	This data sheet contains the design target or goal specifications for product development. Specification may change in any manner without notice.
Preliminary specification	Qualification	This data sheet contains preliminary data, and supplementary data will be published at a later date. Philips Semiconductors reserves the right to make changes at any time without notice in order to improve design and supply the best possible product.
Product specification	Production	This data sheet contains final specifications. Philips Semiconductors reserves the right to make changes at any time without notice in order to improve design and supply the best possible product.

[1] Please consult the most recently issued datasheet before initiating or completing a design.

## Definitions

**Short-form specification** — The data in a short-form specification is extracted from a full data sheet with the same type number and title. For detailed information see the relevant data sheet or data handbook.

**Limiting values definition** — Limiting values given are in accordance with the Absolute Maximum Rating System (IEC 134). Stress above one or more of the limiting values may cause permanent damage to the device. These are stress ratings only and operation of the device at these or at any other conditions above those given in the Characteristics sections of the specification is not implied. Exposure to limiting values for extended periods may affect device reliability.

**Application information** — Applications that are described herein for any of these products are for illustrative purposes only. Philips Semiconductors make no representation or warranty that such applications will be suitable for the specified use without further testing or modification.

## Disclaimers

**Life support** — These products are not designed for use in life support appliances, devices or systems where malfunction of these products can reasonably be expected to result in personal injury. Philips Semiconductors customers using or selling these products for use in such applications do so at their own risk and agree to fully indemnify Philips Semiconductors for any damages resulting from such application.

**Right to make changes** — Philips Semiconductors reserves the right to make changes, without notice, in the products, including circuits, standard cells, and/or software, described or contained herein in order to improve design and/or performance. Philips Semiconductors assumes no responsibility or liability for the use of any of these products, conveys no license or title under any patent, copyright, or mask work right to these products, and makes no representations or warranties that these products are free from patent, copyright, or mask work right infringement, unless otherwise specified.

Philips Semiconductors  
811 East Arques Avenue  
P.O. Box 3409  
Sunnyvale, California 94088-3409  
Telephone 800-234-7381

© Copyright Philips Electronics North America Corporation 1998  
All rights reserved. Printed in U.S.A.

Date of release: 11-98

Document order number:

9397 750 04749

*Let's make things better.*