

GaAS MMIC SP4T SWITCH DC TO 2.0 GHz

FEBRUARY 2001

v01.0101

Features

LOW INSERTION LOSS: 0.4dB

INTEGRATED 2:4 DECODER

14 LEAD SOIC PACKAGE



General Description

The HMC165S14 is a low-cost SP4T switch in a 14-lead SOIC package for use in antenna diversity, switched filter banks, gain/attenuation selection, and general channel multiplexing applications. The switch can control signals up to 2.5 GHz and is especially suited for 800-1000 MHz basestation applications*. A 2:4 decoder is integrated on the switch, requiring only 2 control lines and a negative bias to select each RF path. Switch outputs are reflective shorts when "Off". The 2:4 decoder replaces 4 to 8 control lines normally required by GaAs SP4T switches. See positive bias/TTL SP4T HMC241QS16.

Guaranteed Performance

For 0/-5V Control and Vee = -5V in a 50 Ohm System, -40 to +85 deg C

Parameter	Frequency	Min.	Typ.	Max.	Units
Insertion Loss	DC - 0.5GHz		0.3	0.6	dB
	DC - 1.0GHz		0.5	0.8	dB
	DC - 2.0GHz		1.0	1.3	dB
Isolation	DC - 0.5GHz	35	39		dB
	DC - 1.0GHz	28	32		dB
	DC - 2.0GHz	20	24		dB
Return Loss	DC - 1.0GHz	16	20		dB
	DC - 2.0GHz	8.5	11		dB
Input Power for 1dB Compression	50 MHz		22		dBm
	0.5 - 2.0GHz		24		
Input Third Order Intercept	50 MHz		35		dBm
	0.5 - 2.0GHz		42		
Switching Characteristics tRISE, tFALL (10/90% RF) tON, tOFF (50% CTL to 10/90% RF)	DC - 2.0GHz		25		ns
			50		ns

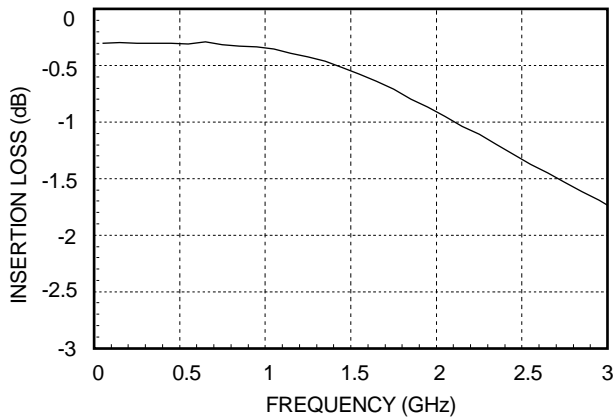


HMC165S14 SP4T SWITCH DC TO 2.0 GHz

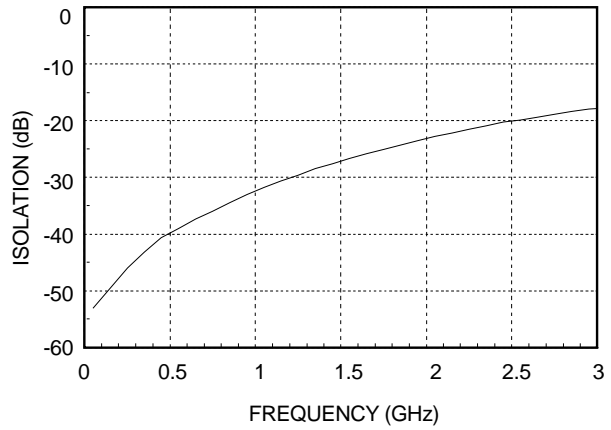
v01.0101

FEBRUARY 2001

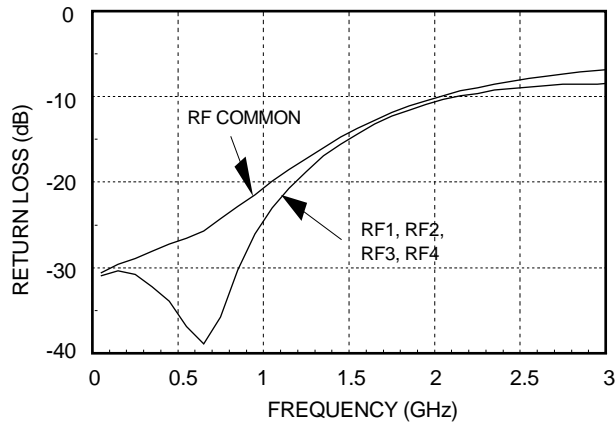
Insertion Loss



Isolation



Return Loss

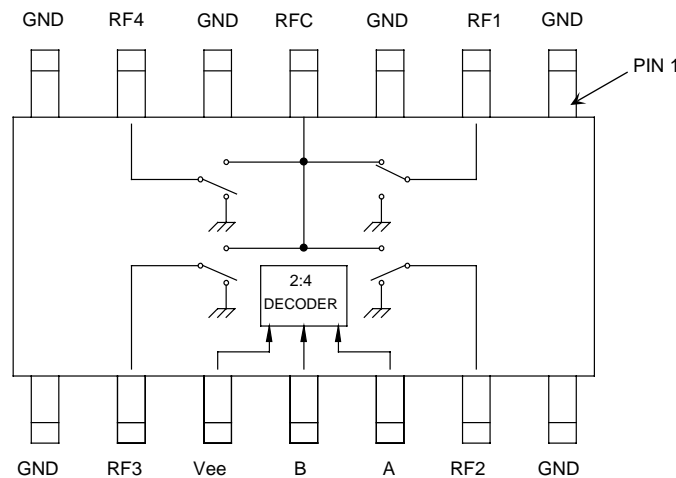


HMC165S14 SP4T SWITCH DC TO 2.0 GHz

FEBRUARY 2001

v01.0101

Functional Diagram



Absolute Maximum Ratings

Bias Voltage Range (Port Vee)	-7.0 Vdc
Control Voltage Range (A & B)	Vee -0.5V to +1.0 Vdc
Storage Temperature	-65 to +150 deg C
Operating Temperature	-40 to +85 deg C
Maximum Input Power	+27dBm (<500MHz) +30dBm (>500MHz)

Truth Table

Control Input		Signal Path State
A	B	RFCOM to:
High	High	RF1
Low	High	RF2
High	Low	RF3
Low	Low	RF4

Bias Voltage & Current

Vee Range = -5.0 Vdc ± 10%		
Vee (Vdc)	Iee (Typ.) (mA)	Iee (Max.) (mA)
-5.0	3.0	6.0

Control Voltages

State	Bias Condition
Low	0 to -3 VDC @ 220uA Typ.
High	Vee +0.8 VDC @ 100uA Max.

7

SWITCHES

SP4T

SMT

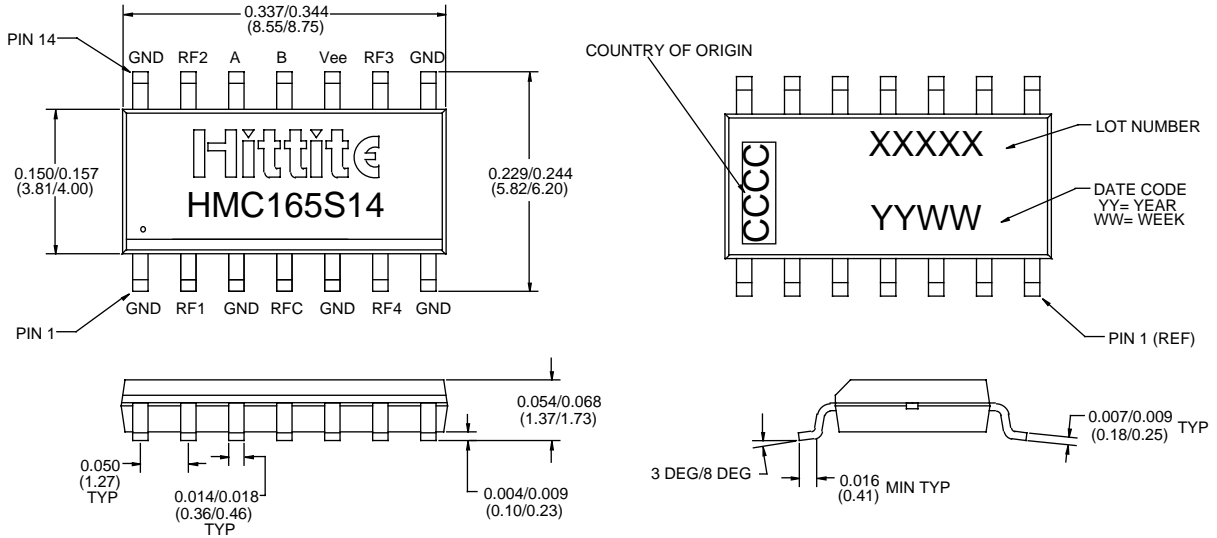


HMC165S14 SP4T SWITCH DC TO 2.0 GHz

v01.0101

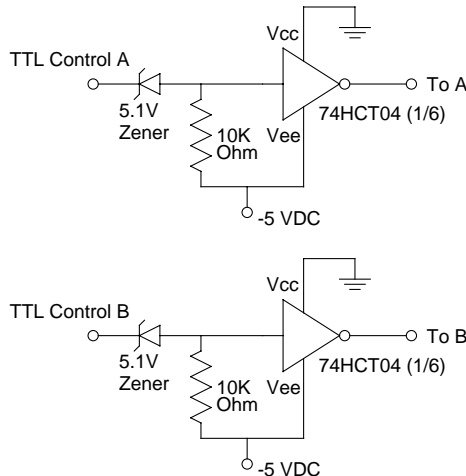
FEBRUARY 2001

Outline



- 1) MATERIAL:
 - A) PACKAGE BODY LOW STRESS INJECTION MOLDED PLASTIC, SILICA & SILICONE IMPREGNATED
 - B) LEADFRAME MATERIAL: COPPER ALLOY
2. PLATING: LEAD-TIN SOLDER PLATE
3. DIMENSIONS ARE IN INCHES (MILLIMETERS) UNLESS OTHERWISE SPECIFIED TOL. ARE $\pm 0.005 (\pm 0.13)$

TTL Interface Circuit



Note:

Control inputs A and B can be driven directly with TTL logic with -5 Volts applied to the HCT logic gates (Vee) and to Vee (pin 10) of the RF switch.