

HYS72T32000GR (256 MByte)
HYS72T64001GR (512 MByte)
HYS72T64020GR (512 MByte)

DDR2 Registered DIMM Modules

Memory Products



Never stop thinking.

Low Profile 240-pin Registered DDR2 SDRAM Modules Datasheet

256 MByte & 512 MByte Modules PC2-3200R /-4200R /-5300R

- 240-pin Registered 8-Byte ECC Dual-In-Line DDR2 SDRAM Module for PC, Workstation and Server main memory applications
- One rank 32Mb x 72, 64Mb x 72 and two ranks 64Mb x 72 organizations
- JEDEC standard Double Data Rate 2 Synchronous DRAMs (DDR2 SDRAMs) with + 1.8 V (± 0.1 V) power supply
- Modules built with 256 Mb DDR2 SDRAMs in 60-ball FBGA chips package
- Programmable $\overline{\text{CAS}}$ Latencies (3, 4 & 5), Burst Length (4 & 8) and Burst Type.
- Auto Refresh and Self Refresh
- All inputs and outputs SSTL_1.8 compatible
- Performance:

Speed Grade Indicator	-5	-3.7	-3	Unit
Component Speed Grade on Module	DDR2-400	DDR2-533	DDR2-667	
Module Speed Grade	PC2-3200	PC2-4200	PC2-5300	
Max. Clock Frequency @ CL = 3	200	200	200	MHz
Max. Clock Frequency @ CL = 4 & 5	200	266	333	MHz

1.0 Description

The INFINEON HYS72T32000GR, HYS72T64020GR and HYS72T64001 are low profile Registered DIMM modules with 30,00 mm height based on DDR2 technology. DIMMs are available in 32M x 72 (256 MByte), 2 x 32M x 72 (512 MByte) and 64M x 72 (512 MByte) organisation and density, intended for mounting into 240 pin connector sockets.

The memory array is designed with 256Mbit Double Data Rate (DDR2) Synchronous DRAMs for ECC applications. All control and address signals are re-driven on the DIMM using register devices and a PLL for the clock distribution. This reduces capacitive loading to the system bus, but adds one cycle to the SDRAM timing. Decoupling capacitors are mounted on the PCB board, which provide a proper voltage supply impedance over the whole frequency range of operations as number and values are accordant to the JEDEC specification. The DIMMs feature serial presence detect based on a serial E²PROM device using the 2-pin I²C protocol. The first 128 bytes are programmed with configuration data and the second 128 bytes are available to the customer.

1.1 Ordering Information

Type & Partnumber	Compliance Code	Description	SDRAM Technology
PC2-3200 (DDR2-400):			
HYS72T32000GR-5-A	PC2-3200R-33310-A	one rank 256 MB Reg. DIMM	256 Mbit (x8)
HYS72T64020GR-5-A	PC2-3200R-33310-B	two ranks 512 MB Reg. DIMM	256 Mbit (x8)
HYS72T64001GR-5-A	PC2-3200R-33310-C	one ranks 512 MB Reg.DIMM	256 Mbit (x4)
PC2-4200 (DDR2-533):			
HYS72T32000GR-3.7-A	PC2-4200R-44410-A	one rank 256 MB Reg. DIMM	256 Mbit (x8)
HYS72T64020GR-3.7-A	PC2-4200R-44410-B	two ranks 512 MB Reg. DIMM	256 Mbit (x8)
HYS72T64001GR-3.7-A	PC2-4200R-44410-C	one ranks 512 MB Reg.DIMM	256 Mbit (x4)
PC2-5300 (DDR2-667):			
HYS72T32000GR-3-A	PC2-5300R-44410-A	one rank 256 MB Reg. DIMM	256 Mbit (x8)
HYS72T64020GR-3-A	PC2-5300R-44410-B	two ranks 512 MB Reg. DIMM	256 Mbit (x8)
HYS72T64001GR-3-A	PC2-5300R-44410-C	one ranks 512 MB Reg.DIMM	256 Mbit (x4)
Notes:			
1. All part numbers end with a place code, designating the silicon die revision. Example: HYS 72T32000GR-5-A, indicating Rev. A dies are used for DDR2 SDRAM components. For all INFINEON DDR2 module and component nomenclature see section 8 of this datasheet.			
2. The Compliance Code is printed on the module label and describes the speed grade, f.e. "PC2-4200R-44410-C", where 4200R means Registered DIMM modules with 4.26 GB/sec Module Bandwidth and "44410" means CAS latency = 4, trcd latency = 4 and trp latency = 4 using the latest JEDEC SPD Revision 1.0 and produced on the Raw Card "C".			

1.2 Address Format

Part Number	DIMM Density	Organization	Memory Ranks	DDR2-SDRAMs	# of SDRAMs	# of row/bank/ column bits
HYS72T32000GR	256 MB	32Mb × 72	1	(256Mb) 32Mb × 8	9	13/2/10
HYS72T64020GR	512 MB	2 × 32Mb × 72	2	(256Mb) 32Mb × 8	18	13/2/10
HYS72T64001GR-	512 MB	64Mb x 72	1	(256Mb) 64Mb × 4	18	13/2/11

1.3 Components on Modules and RawCard

DIMM Density	DRAM components reference datasheet	PLL	Register	Raw Card
256 MB	HYB18T256800AC	1:10, 1.8V, CU877	1:1 25-bit 1.8V SSTU32864	A
512 MB	HYB18T256800AC	1:10, 1.8V, CU877	1:2 14-bit 1.8V SSTU32864	B
512 MB	HYB18T256400AC	1:10, 1.8V, CU877	1:2 14-bit 1.8V SSTU32864	C

For a detailed description of all functionalities of the DRAM components on these modules see the referenced component datasheet

1.4 Pin Definition and Function

Pin Name	Description	Pin Name	Description
A[12:0]	Row Address Inputs	CB[7:0]	DIMM ECC Check Bits
A11, A[9:0]	Column Address Inputs ⁴⁾	DQS[8:0]	SDRAM low data strobes
A10/AP	Column Address Input for Auto-Precharge	DM[8:0] / DQS[17:9]	SDRAM low data mask/ high data strobes
BA[1:0]	SDRAM Bank Selects	\overline{DQS} [17:0]	SDRAM differential data strobes
CK0	Clock input (positive line of differential pair)	SCL	Serial bus clock
$\overline{CK0}$	Clock input (negative line of differential pair)	SDA	Serial bus data line
\overline{RAS}	Row Address Strobe	SA[2:0]	slave address select
\overline{CAS}	Column Address Strobe	V_{DD}	Power (+ 1.8 V)
\overline{WE}	Read/Write Input	V_{REF}	I/O reference supply
\overline{CS} [1:0]	Chip Selects ³⁾	V_{SS}	Ground
CKE[1:0]	Clock Enable ³⁾	V_{DDSPD}	EEPROM power supply
ODT[1:0]	Active termination control lines ^{1) 3)}	\overline{RESET}	Register and PLL control pin ²⁾
DQ[63:0]	Data Input/Output	NC	No connection

1) Active termination only applies to DQ, DQS, \overline{DQS} and DM signals

2) When low, all register outputs will be driven low and the PLL clocks to the DRAM and registers will be set to low levels (the PLL will remain synchronized with the input clock)

3) \overline{CS} 1, ODT1 and CKE1 are used on dual rank modules only

4) Column address A11 is used on modules based on x4 organised 256Mb DDR2 components only.

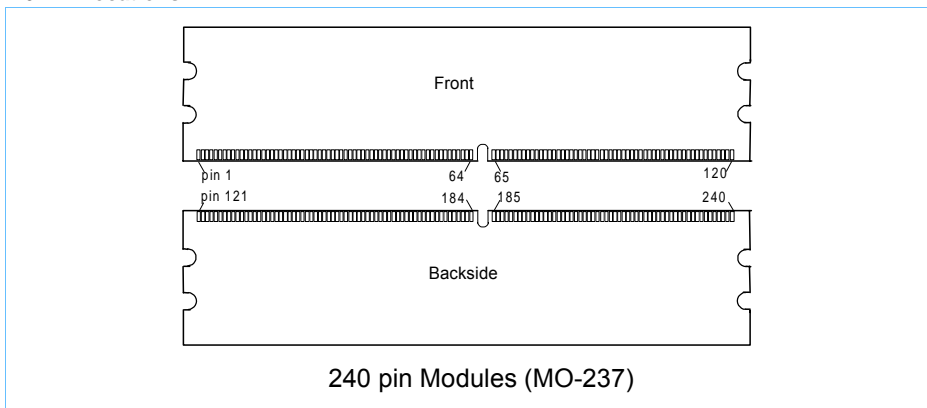
1.5 Pin Configuration

PIN#	Symbol	PIN#	Symbol	PIN#	Symbol	PIN#	Symbol
1	VREF	121	VSS	61	A4	181	VDDQ
2	VSS	122	DQ4	62	VDDQ	182	A3
3	DQ0	123	DQ5	63	A2	183	A1
4	DQ1	124	VSS	64	VDD	184	VDD
5	VSS	125	DM0, DQS9	KEY		KEY	
6	DQS0	126	DQS9	65	VSS	185	CK0
7	DQS0	127	VSS	66	VSS	186	CK0
8	VSS	128	DQ6	67	VDD	187	VDD
9	DQ2	129	DQ7	68	NC	188	A0
10	DQ3	130	VSS	69	VDD	189	VDD
11	VSS	131	DQ12	70	A10/AP	190	BA1
12	DQ8	132	DQ13	71	BA0	191	VDDQ
13	DQ9	133	VSS	72	VDDQ	192	RAS
14	VSS	134	DM1, DQS10	73	WE	193	CS0
15	DQS1	135	DQS10	74	CAS	194	VDDQ
16	DQS1	136	VSS	75	VDDQ	195	ODT0
17	VSS	137	NC	76	CS1	196	NC
18	RESET	138	NC	77	ODT1	197	VDD
19	NC	139	VSS	78	VDDQ	198	VSS
20	VSS	140	DQ14	79	VSS	199	DQ36
21	DQ10	141	DQ15	80	DQ32	200	DQ37
22	DQ11	142	VSS	81	DQ33	201	VSS
23	VSS	143	DQ20	82	VSS	202	DM4, DQS13
24	DQ16	144	DQ21	83	DQS4	203	DQS13
25	DQ17	145	VSS	84	DQS4	204	VSS
26	VSS	146	DM2, DQS11	85	VSS	205	DQ38
27	DQS2	147	DQS11	86	DQ34	206	DQ39
28	DQS2	148	VSS	87	DQ35	207	VSS
29	VSS	149	DQ22	88	VSS	208	DQ44
30	DQ18	150	DQ23	89	DQ40	209	DQ45
31	DQ19	151	VSS	90	DQ41	210	VSS
32	VSS	152	DQ28	91	VSS	211	DM5, DQS14
33	DQ24	153	DQ29	92	DQS5	212	DQS14
34	DQ25	154	VSS	93	DQS5	213	VSS
35	VSS	155	DM3, DQS12	94	VSS	214	DQ46
36	DQS3	156	DQS12	95	DQ42	215	DQ47
37	DQS3	157	VSS	96	DQ43	216	VSS
38	VSS	158	DQ30	97	VSS	217	DQ52
39	DQ26	159	DQ31	98	DQ48	218	DQ53
40	DQ27	160	VSS	99	DQ49	219	VSS

Pin Configuration (cont'd)

PIN#	Symbol	PIN#	Symbol	PIN#	Symbol	PIN#	Symbol
41	VSS	161	CB4	100	VSS	220	NC
42	CB0	162	CB5	101	SA2	221	NC
43	CB1	163	VSS	102	NC	222	VSS
44	VSS	164	DM8, DQS17	103	VSS	223	DM6, DQS15
45	DQS8	165	DQS17	104	DQS6	224	DQS15
46	DQS8	166	VSS	105	DQS6	225	VSS
47	VSS	167	CB6	106	VSS	226	DQ54
48	CB2	168	CB7	107	DQ50	227	DQ55
49	CB3	169	VSS	108	DQ51	228	VSS
50	VSS	170	VDDQ	109	VSS	229	DQ60
51	VDDQ	171	NC, CKE1	110	DQ56	230	DQ61
52	CKE0	172	VDD	111	DQ57	231	VSS
53	VDD	173	NC	112	VSS	232	DM7, DQS16
54	NC	174	NC	113	DQS7	233	DQS16
55	NC	175	VDDQ	114	DQS7	234	VSS
56	VDDQ	176	A12	115	VSS	235	DQ62
57	A11	177	A9	116	DQ58	236	DQ63
58	A7	178	VDD	117	DQ59	237	VSS
59	VDD	179	A8	118	VSS	238	VDDSPD
60	A5	180	A6	119	SDA	239	SA0
				120	SCL	240	SA1

1.6 Pin Locations



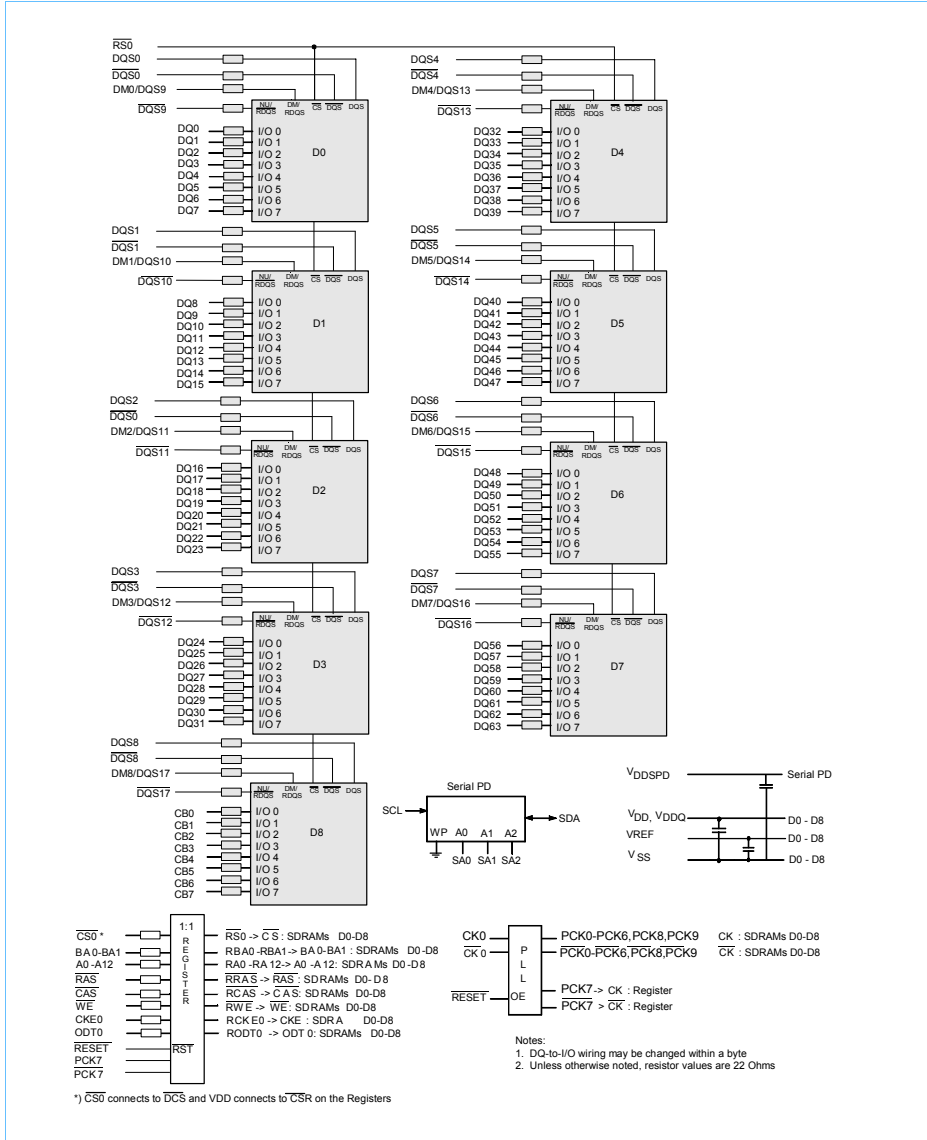
1.7 Registered DIMM Input/Output Functional Description

Symbol	Type	Polarity	Function
CK0, $\overline{\text{CK0}}$	Input	Cross point	The system clock inputs. All address and command lines are sampled on the cross point of the rising edge of CK and the falling edge of $\overline{\text{CK}}$. An on-board DLL circuit is driven from the clock inputs and output timing for read operations is synchronized to the input clock.
CKE[1:0]	Input	Active High	CKE high activates and CKE low deactivates internal clock signals and device input buffers and output drivers of the SDRAMs. Taking CKE low provides Precharge Power-Down and Self-Refresh operation (all banks idle), or Active Power-Down (row Active in any bank).
$\overline{\text{CS}}[1:0]$	Input	Active Low	Enables the associated SDRAM command decoder when low and disables decoder when high. When decoder is disabled, new commands are ignored and previous operations continue. The input signals also disable all outputs (except CKE and ODT) of the register(s) on the DIMM when both inputs are high. When both CS[1:0] are high, all register outputs (except CK, ODT and Chip select) remain in the previous state.
ODT[1:0]	Input	Active High	On-Die Termination control signals
$\overline{\text{RAS}}$, $\overline{\text{CAS}}$, $\overline{\text{WE}}$	Input	Active Low	When sampled at the positive edge of the clock, $\overline{\text{RAS}}$, $\overline{\text{CAS}}$ and $\overline{\text{WE}}$ define the operation to be executed by the SDRAM.
DM[8:0]	Input	Active High	Masks write data when high, issued concurrently with input data.
BA[1:0]	Input	-	Selects which internal SDRAM memory bank is activated
A[12:0]	Input	-	During Bank Activate command cycle, Address defines the row address. During a Read or Write command cycle, Address defines the column address. In addition to the column address, A10(=AP) is used to invoke Auto-Precharge operation at the end of the burst read or write cycle. If AP is high, Auto Precharge is selected and BA[1:0] defines the bank to be precharged. If AP is low, Auto-Precharge is disabled. During a Precharge command cycle, AP is used in conjunction with BA[1:0] to control which bank(s) to precharge. If AP is high, all banks will be precharged regardless of the state of BA[1:0]. If AP is low, BA[1:0] are used to define which bank to precharge.
DQ[63:0], CB[7:0]	I/O	-	Data and Check Bit Input /Output pins.
DQS[17:0], $\overline{\text{DQS}}[17:0]$	I/O	Cross point	The data strobes, associated with one data byte, source with data transfer. In Write mode, the data strobe is sourced by the controller and is centered in the data window. In Read mode the data strobe is sourced by the DDR2 SDRAM and is sent at the leading edge of the data window. DQS signals are complements, and timing is relative to the crosspoint of respective DQS and $\overline{\text{DQS}}$. If the module is to be operated in single ended strobe mode, all DQS signals must be tied on the system board to VSS and DDR2 SDRAM mode registers programmed appropriately.
SA[2:0]	Input	-	These signals are tied at the system planar to either VSS or VDDSPD to configure the serial SPD EEPROM address range
SDA	I/O	-	This bidirectional pin is used to transfer data into and out of the SPD EEPROM. A resistor maybe connected from the SDA bus line to VDDSPD on the system planar to act as a pull-up.
SCL	Input	-	This signal is used to clock data into the SPD EEPROM. A resistor maybe connected from the SCL bus line to VDDSPD on the system planar to act as a pull-up.
$\overline{\text{RESET}}$	Input	-	The RESET pin is connected to the RST pin on the register and to the OE pin on the PLL. When low, all register outputs will be driven low and the PLL clocks to the DRAMs and the register(s) will be set to low level. The PLL will remain synchronized with the input clock.
V _{DD} , V _{SS}	Supply	-	Power and ground for the DDR SDRAM input buffers and core logic.
V _{REF}	Supply	-	Reference voltage for the SSTL-18 inputs.
V _{VDDSPD}	Supply	-	Serial EEPROM positive power supply, wired to a separated power pin at the connector which supports from 1.7 Volt to 3.6 Volt.

Note: CS1, ODT1 and CKE1 are used on dual rank modules only.

2.0 Block Diagrams (cont'd)

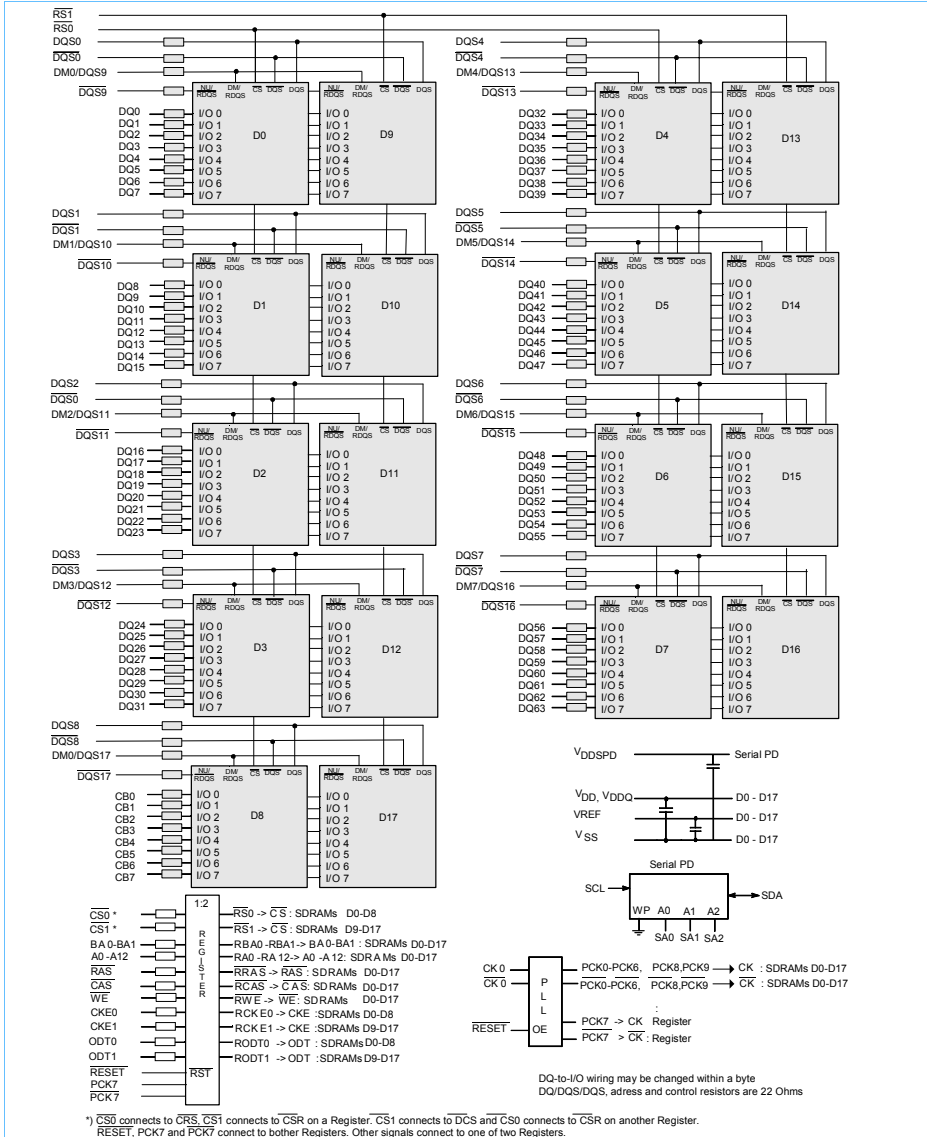
2.1 One Rank 32M x 72 (256 MByte) DDR2 SDRAM DIMM Module (x8 components) HYS72T32000GR on Raw Card A



Block Diagrams (cont'd)

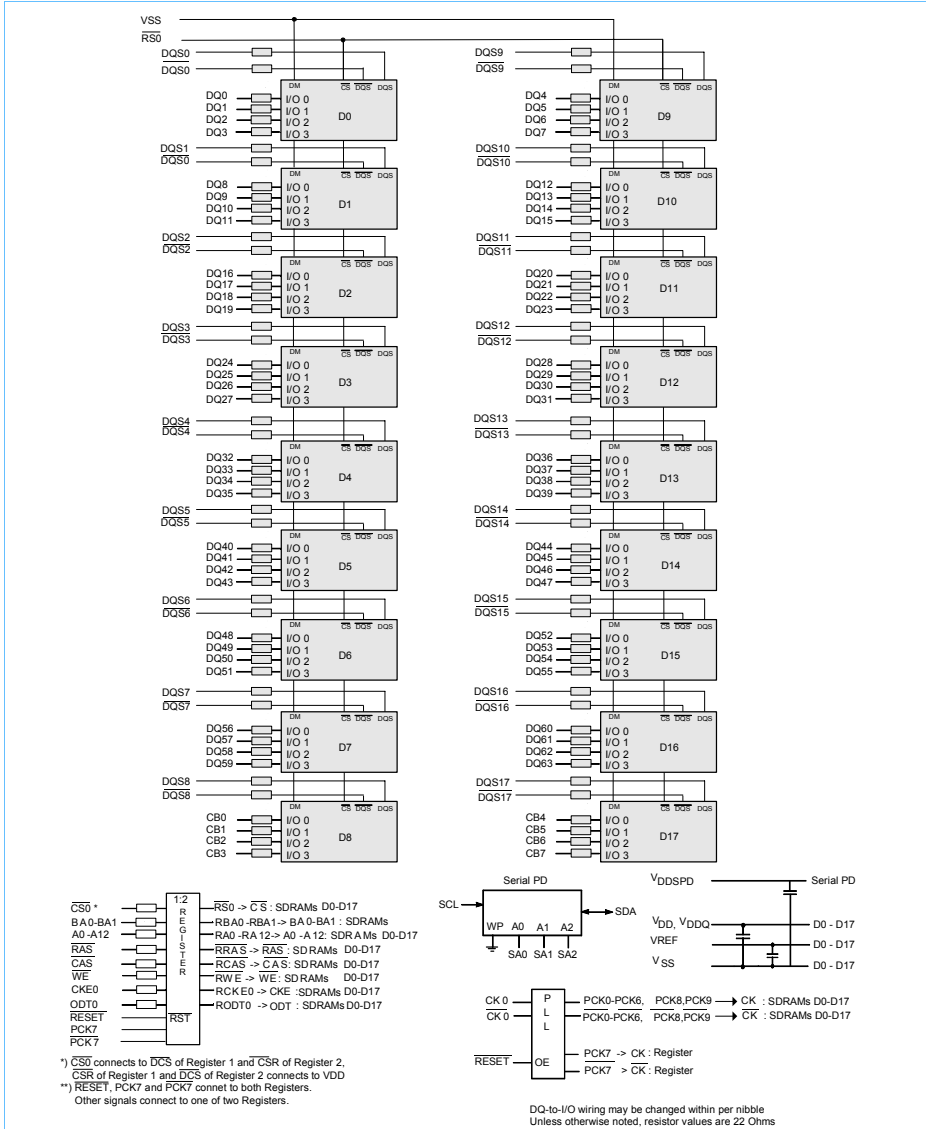
2.2 64M x 72 (512 MByte) two rank DDR2 SDRAM DIMM Modules (x8 components)

HYS72T64020GR on Raw Card B



Block Diagrams (cont'd)

2.3 One Rank 64M x 72 (512 MByte) DDR2 SDRAM DIMM Modules (x4 components) HYS72T64001GR on Raw Card C



3.0 Absolute Maximum Ratings

Parameter	Symbol	Limit Values		Unit
		min.	max.	
Voltage on any pins relative to V_{SS}	V_{IN}, V_{OUT}	- 0.5	2.3	V
Voltage on V_{DD} relative to V_{SS}	V_{DD}	- 1.0	2.3	V
Voltage on V_{DDQ} relative to V_{SS}	V_{DDQ}	- 0.5	2.3	
Storage temperature range	T_{STG}	-55	+100	°C

Stresses greater than those listed under "Absolute Maximum Ratings" may cause permanent damage to the device. This is a stress rating only and functional operation of the device at these or any other conditions above those indicated in the operational sections of this specification is not implied. Exposure to absolute maximum rating conditions for extended periods may affect reliability.

3.1 Operating Temperature Range

Parameter	Symbol	Limit Values		Unit	Notes
		min.	max.		
DIMM Module Operating Temperature Range (ambient)	TOPR	0	+55	°C	
DRAM Component Case Temperature Range	TCASE	0	+95	°C	1 - 4

1. DRAM Component Case Temperature is the surface temperature in the center on the top side of any of the DRAMs. For measurement conditions, please refer to the JEDEC document JESD51-2.
2. Within the DRAM Component Case Temperature range all DRAM specification will be supported.
3. Above 85°C DRAM case temperature the Auto-Refresh command interval has to be reduced to tREFI = 3.9 µs.
4. Self-Refresh period is hard-coded in the DRAMs and therefore it is imperative that the system ensures the DRAM is below 85°C case temperature before initiating self-refresh operation.

3.2 Supply Voltage Levels and DC Operating Conditions

Parameter	Symbol	Limit Values			Unit	Notes
		min.	nom.	max.		
Device Supply Voltage	V_{DD}	1.7	1.8	1.9	V	-
Output Supply Voltage	V_{DDQ}	1.7	1.8	1.9	V	1)
Input Reference Voltage	V_{REF}	$0.49 \times V_{DDQ}$	$0.5 \times V_{DDQ}$	$0.51 \times V_{DDQ}$	V	2)
EEPROM Supply Voltage	V_{DDSPD}	1.7	-	3.6	V	
DC Input Logic High	$V_{IH(DC)}$	$V_{REF} + 0.125$	-	$V_{DDQ} + 0.3$	V	
DC Input Logic Low	$V_{IL(DC)}$	- 0.30	-	$V_{REF} - 0.125$	V	
In / Output Leakage Current	I_L	- 5	-	5	µA	3)

- 1 Under all conditions, V_{DDQ} must be less than or equal to V_{DD}
- 2 Peak to peak AC noise on V_{REF} may not exceed $\pm 2\% V_{REF(DC)}$. V_{REF} is also expected to track noise variations in V_{DDQ} .
- 3 For any pin on the DIMM connector under test input of $0 V \leq V_{IN} \leq V_{DDQ} + 0.3 V$.

4.0 I_{DD} Specifications and Conditions

4.1 256MByte Registered Module HYS72T32000GR (one rank, nine components x8)

256 MByte HYS72T32000GR		PC2-3200 “-5”	PC2-4200 “-3.7”	PC2-5300 “-3”		
Symbol	Parameter / Condition	max.	max.	max.	Unit	Note
I _{DD0}	Operating Current	700	828	957	mA	1
I _{DD1}	Operating Current	745	873	1002	mA	1
I _{DD2P}	Precharge PD Standby Current	286	369	453	mA	1
I _{DD2N}	Precharge Standby Current	502	657	822	mA	1
I _{DD2Q}	Precharge Quiet Standby Current	430	558	687	mA	1
I _{DD3P(0)}	Active PD Standby Current	367	477	597	mA	1
I _{DD3P(1)}	LP Active PD Standby Current	286	369	867	mA	1
I _{DD3N}	Active Standby Current	520	648	777	mA	1
I _{DD4R}	Operating Current Burst Read	790	963	1137	mA	1
I _{DD4W}	Operating Current Burst Write	880	1098	1317	mA	1
I _{DD5B}	Auto-Refresh Current (tRFCmin.)	970	1098	1227	mA	1
I _{DD5D}	Auto-Refresh Current (tREFI)	304	387	471	mA	1
I _{DD6}	Self-Refresh Current	36	36	36	mA	1
I _{DD7}	Operating Current	1375	1548	1722	mA	1

Note: 1) Calculated values from component data. ODT disabled. IDD1, IDD4R, and IDD7 are defined with the outputs disabled. Currents includes Registers and PLL.

4.2 512 MByte Registered Module HYS72T64020GR (two ranks, eighteen components x8)

512 MByte HYS72T64020GR		PC2-3200 “-5”	PC2-4200 “-3.7”	PC2-5300 “-3”		
Symbol	Parameter / Condition	max.	max.	max.	Unit	Note
I _{DD0}	Operating Current	854	1021	1190	mA	1, 2
I _{DD1}	Operating Current	899	1066	1235	mA	1, 2
I _{DD2P}	Precharge PD Standby Current	440	562	686	mA	1, 3
I _{DD2N}	Precharge Standby Current	872	1138	1424	mA	1, 3
I _{DD2Q}	Precharge Quiet Standby Current	728	940	1154	mA	1, 3
I _{DD3P(0)}	Active PD Standby Current	602	778	974	mA	1, 3
I _{DD3P(1)}	LP Active PD Standby Current	440	562	686	mA	1, 3
I _{DD3N}	Active Standby Current	908	1120	1334	mA	1, 3
I _{DD4R}	Operating Current Burst Read	944	1156	1370	mA	1, 2
I _{DD4W}	Operating Current Burst Write	1034	1291	1550	mA	1, 2
I _{DD5B}	Auto-Refresh Current (tRFCmin.)	1126	1291	1460	mA	1, 2
I _{DD5D}	Auto-Refresh Current (tREFI)	476	598	722	mA	1, 3
I _{DD6}	Self-Refresh Current	72	72	72	mA	1, 3
I _{DD7}	Operating Current	1529	1741	1955	mA	1, 2

Notes: 1) Calculated values from component data. ODT disabled. IDD1, IDD4R, and IDD7 are defined with the outputs disabled. Currents includes Registers and PLL.
 2) The other rank is in IDD2P Precharge Power-Down Standby Current mode
 3) Both ranks are in the same IDD current mode

4.3 512 Mbyte Registered Module HYS72T64001GR (one rank, eighteen components x4)

512 MByte HYS72T64001GR		PC2-3200 “-5”	PC2-4200 “-3.7”	PC2-5300 “-3”		
Symbol	Parameter / Condition	max.	max.	max.	Unit	Note
I _{DD0}	Operating Current	1268	1480	1694	mA	1
I _{DD1}	Operating Current	1358	1570	1784	mA	1
I _{DD2P}	Precharge PD Standby Current	440	562	686	mA	1
I _{DD2N}	Precharge Standby Current	872	1138	1424	mA	1
I _{DD2Q}	Precharge Quiet Standby Current	728	940	1154	mA	1
I _{DD3P(0)}	Active PD Standby Current	602	778	974	mA	1
I _{DD3P(1)}	LP Active PD Standby Current	440	562	686	mA	1
I _{DD3N}	Active Standby Current	908	1120	1334	mA	1
I _{DD4R}	Operating Current Burst Read	1448	1750	2054	mA	1
I _{DD4W}	Operating Current Burst Write	1628	2020	2414	mA	1
I _{DD5B}	Auto-Refresh Current (tRFCmin.)	1808	2020	2234	mA	1
I _{DD5D}	Auto-Refresh Current (tREFI)	476	598	722	mA	1
I _{DD6}	Self-Refresh Current	72	72	72	mA	1
I _{DD7}	Operating Current	2618	2920	3224	mA	1

Note: 1) Calculated values from component data. ODT disabled. IDD1, IDD4R, and IDD7 are defined with the outputs disabled. Currents includes Registers and PLL.

4.4 I_{DD} Measurement Conditions

Symbol	Parameter/Condition
I _{DD0}	Operating Current - One bank Active - Precharge tCK = tCK(IDD), tRC = tRC(IDD), tRAS = tRASmin(IDD), CKE is HIGH, \overline{CS} is high between valid commands. Address and control inputs are SWITCHING, Databus inputs are SWITCHING.
I _{DD1}	Operating Current - One bank Active - Read - Precharge IOUT = 0 mA, BL = 4, tCK = tCK(IDD), tRC = tRC(IDD), tRAS = tRASmin(IDD), tRCD = tRCD(IDD), AL = 0, CL = CL(IDD); CKE is HIGH, \overline{CS} is high between valid commands. Address and control inputs are SWITCHING, Databus inputs are SWITCHING.
I _{DD2P}	Precharge Power-Down Current: All banks idle; CKE is LOW; tCK = tCK(IDD); Other control and address inputs are STABLE, Data bus inputs are FLOATING.
I _{DD2N}	Precharge Standby Current: All banks idle; \overline{CS} is HIGH; CKE is HIGH; tCK = tCK(IDD); Other control and address inputs are SWITCHING, Data bus inputs are SWITCHING.
I _{DD2Q}	Precharge Quiet Standby Current: All banks idle; \overline{CS} is HIGH; CKE is HIGH; tCK = tCK(IDD); Other control and address inputs are STABLE, Data bus inputs are FLOATING.
I _{DD3P(0)}	Active Power-Down Current: All banks open; tCK = tCK(IDD), CKE is LOW; Other control and address inputs are STABLE, Data bus inputs are FLOATING. MRS A12 bit is set to "0" (Fast Power-down Exit);
I _{DD3P(1)}	Active Power-Down Current: All banks open; tCK = tCK(IDD), CKE is LOW; Other control and address inputs are STABLE, Data bus inputs are FLOATING. MRS A12 bit is set to "1" (Slow Power-down Exit);
I _{DD3N}	Active Standby Current: All banks open; tCK = tCK(IDD); tRAS = tRASmax(IDD); tRP = tRP(IDD), CKE is HIGH; \overline{CS} is high between valid commands. Other control and address inputs are SWITCHING, Data bus inputs are SWITCHING.
I _{DD4R}	Operating Current - Burst Read: All banks open; Continuous burst reads; BL = 4; AL = 0, CL = CL(IDD); tCK = tCK(IDD); tRAS = tRASmax(IDD), tRP = tRP(IDD); CKE is HIGH, \overline{CS} is high between valid commands. Address inputs are SWITCHING; Data Bus inputs are SWITCHING; IOUT = 0mA.
I _{DD4W}	Operating Current - Burst Write: All banks open; Continuous burst writes; BL = 4; AL = 0, CL = CL(IDD); tCK = tCK(IDD); tRAS = tRASmax(IDD), tRP = tRP(IDD); CKE is HIGH, \overline{CS} is high between valid commands. Address inputs are SWITCHING; Data Bus inputs are SWITCHING;
I _{DD5B}	Burst Auto-Refresh Current: tCK = tCK(IDD), Refresh command every tRFC = tRFC(IDD) interval, CKE is HIGH, \overline{CS} is HIGH between valid commands. Other control and address inputs are SWITCHING, Data bus inputs are SWITCHING.
I _{DD5D}	Distributed Auto-Refresh Current: tCK = tCK(IDD), Refresh command every tREFI = tREFI interval, CKE is LOW and \overline{CS} is HIGH between valid commands. Other control and address inputs are SWITCHING, Data bus inputs are SWITCHING.
I _{DD6}	Self-Refresh Current: CKE ≤ 0.2V; external clock off, CK and \overline{CK} at 0V; Other control and address inputs are FLOATING, Data bus inputs are FLOATING. RESET = Low. IDD6 current values are guaranteed up to TCASE of 85°C max.
I _{DD7}	All Bank Interleave Read Current: 1. All banks interleaving reads, IOUT = 0 mA; BL = 4, CL=CL(IDD), AL = tRCD(IDD) - 1*tCK(IDD); tCK = tCK(IDD), tRC = tRC(IDD), tRRD = tRRD(IDD); CKE is HIGH, \overline{CS} is high between valid commands, Address bus inputs are STABLE during DESELECTS; Data bus is SWITCHING. 2. Timing pattern: - DDR2 -400: A0 RA0 A1 RA1 A2 RA2 A3 RA3 D D D D - DDR2 -533: A0 RA0 D A1 RA1 D A2 RA2 D A3 RA3 D D D D - DDR2 -667: A0 RA0 D D A1 RA1 D D A2 RA2 D D A3 RA3 D D D D 3. Legend: A = Activate, RA = Read with Auto-Precharge, D=DESELECT
Notes:	
1. IDD specifications are tested after the device is properly initialized and IDD parameter are specified with ODT disabled.	
2. Definitions for IDD: LOW is defined as VIN ≤ VIL(ac)max; HIGH is defined as VIN ≥ VIH(ac)min. STABLE is defined as inputs are stable at a HIGH or LOW level. FLOATING is defined as inputs are VREF = VDDQ / 2. SWITCHING is defined as: inputs are changing between HIGH and LOW every other clock (once per two cycles) for address and control signals, and inputs changing between HIGH and LOW every other data transfer (once per cycle) for DQ signals not including mask or strobes.	
3. IDD1, IDD4R, and IDD7 current measurements are defined with the outputs disabled (Iout = 0 mA). To achieve this on module level the output buffers can be disabled using an EMRS(1) (Extended Mode Register Command) by setting A12 bit to HIGH.	
3. For two rank modules: For all active current measurements the other rank is in Precharge Power-Down Mode IDD2P	
4. RESET signal is high for all currents, except for IDD6 "Self Refresh".	
5. All current measurements includes Register and PLL current consumption.	

4.5 I_{DD} Measurement Conditions (cont'd)

For testing the IDD parameters, the following timing parameters are used:

Parameter	Symbol	-5	-3.7	-3	Unit
		PC2-3200	PC2-4200	PC2-5300	
		3-3-3	4-4-4	4-4-4	
CAS Latency	CL(IDD)	3	4	4	tCK
Clock Cycle Time	tCK(IDD)	5	3.75	3	ns
Active to Read or Write delay	tRCD(IDD)	15	15	12	ns
Active to Active / Auto-Refresh command period	tRC(IDD)	60	60	57	ns
Active bank A to Active bank B command delay	tRRD(IDD)	7.5	7.5	7.5	ns
Active to Precharge Command	tRASmin(IDD)	45	45	45	ns
	tRASmax(IDD)	70000	70000	70000	ns
Precharge Command Period	tRP(IDD)	15	15	12	ns
Auto-Refresh to Active / Auto-Refresh command period	tRFC(IDD)	75	75	75	ns
Average periodic Refresh interval	tREFI	7.8	7.8	7.8	µs

4.5 ODT (On Die Termination) Current

The ODT function adds additional current consumption to the DDR2 SDRAM when enabled by the EMRS(1). Depending on address bits A6 & A2 in the EMRS(1) a "weak" or "strong" termination can be selected. The current consumption for any terminated input pin, depends on the input pin is in tri-state or driving "0" or "1", as long a ODT is enabled during a given period of time.

ODT current per terminated pin:

		EMRS(1) State	min.	typ.	max.	Unit
Enabled ODT current per DQ added IDDQ current for ODT enabled; ODT is HIGH; Data Bus inputs are FLOATING	IODTO	A6 = 0, A2 = 1	5	6	7.5	mA/DQ
		A6 = 1, A2 = 0	2.5	3	3.75	mA/DQ
Active ODT current per DQ added IDDQ current for ODT enabled; ODT is HIGH; worst case of Data Bus inputs are STABLE or SWITCHING.	IODTT	A6 = 0, A2 = 1	10	12	15	mA/DQ
		A6 = 1, A2 = 0	5	6	7.5	mA/DQ
note: For power consumption calculations the ODT duty cycle has to be taken into account						

5.0 Electrical Characteristics & AC Timings

5.1 AC Timing Parameter by Speed Grade (Component level data, for reference only)

Symbol	Parameter	-5 DDR2 -400		-3.7 DDR2 -533		-3 DDR2 -667		Unit	
		Min	Max	Min	Max	Min	Max		
t_{AC}	DQ output access time from CK / \overline{CK}	- 600	+ 600	-500	+500	-450	+450	ps	
t_{DQSQ}	DQS output access time from CK / \overline{CK}	- 500	+ 500	-450	+450	-400	+400	ps	
t_{CH}	CK, \overline{CK} high-level width	0.45	0.55	0.45	0.55	0.45	0.55	t_{CK}	
t_{CL}	CK, \overline{CK} low-level width	0.45	0.55	0.45	0.55	0.45	0.55	t_{CK}	
t_{HP}	Clock Half Period	min. (t_{CL} , t_{CH})		min. (t_{CL} , t_{CH})		min. (t_{CL} , t_{CH})			
t_{CK}	Clock cycle time	CL = 3	5000	8000	5000	8000	5000	8000	ps
		CL = 4 & 5	5000	8000	3750	8000	3000	8000	ps
t_{IS}	Address and control input setup time	600	-	600	-	tbd.	-	ps	
t_{IH}	Address and control input hold time	600	-	600	-	tbd.	-	ps	
t_{DS}	DQ and DM input setup time	400	-	350	-	300	-	ps	
t_{DH}	DQ and DM input hold time	400	-	350	-	300	-	ps	
t_{IPW}	Control and Addr. input pulse width (each input)	0.6	-	0.6	-	0.6	-	t_{CK}	
t_{DIPW}	DQ and DM input pulse width (each input)	0.35	-	0.35	-	0.35	-	t_{CK}	
t_{HZ}	Data-out high-impedance time from CK / \overline{CK}	-	t_{ACmax}	-	t_{ACmax}	-	t_{ACmax}	ps	
$t_{LZ(DQ)}$	DQ low-impedance from CK / \overline{CK}	$2 \cdot t_{ACmin}$	t_{ACmax}	$2 \cdot t_{ACmin}$	t_{ACmax}	$2 \cdot t_{ACmin}$	t_{ACmax}	ps	
$t_{LZ(DQS)}$	DQS low-impedance from CK / \overline{CK}	t_{ACmin}	t_{ACmax}	t_{ACmin}	t_{ACmax}	t_{ACmin}	t_{ACmax}	ps	
t_{DQSQ}	DQS-DQ skew (for DQS & associated DQ signals)	-	350	-	300	-	250	ps	
t_{QHS}	Data hold skew factor	-	450	-	400	-	350	ps	
t_{QH}	Data Output hold time from DQS	$t_{HP}-t_{QHS}$	-	$t_{HP}-t_{QHS}$	-	$t_{HP}-t_{QHS}$	-		
t_{DQSS}	Write command to 1st DQS latching transition	WL -0.25	WL +0.25	WL -0.25	WL +0.25	WL -0.25	WL +0.25	t_{CK}	
$t_{DQSL,H}$	DQS input low (high) pulse width (write cycle)	0.35	-	0.35	-	0.35	-	t_{CK}	
t_{DSS}	DQS falling edge to CLK setup time (write cycle)	0.2	-	0.2	-	0.2	-	t_{CK}	
t_{DSH}	DQS falling edge hold time from CLK (write cycle)	0.2	-	0.2	-	0.2	-	t_{CK}	
t_{MRD}	Mode register set command cycle time	2	-	2	-	2	-	t_{CK}	
t_{WPRE}	Write preamble	0.25	-	0.25	-	0.35	-	t_{CK}	
t_{WPST}	Write postamble	0.40	0.60	0.40	0.60	0.40	0.60	t_{CK}	
t_{RPRE}	Read preamble	0.9	1.1	0.9	1.1	0.9	1.1	t_{CK}	
t_{RPST}	Read postamble	0.40	0.60	0.40	0.60	0.40	0.60	t_{CK}	
t_{RAS}	Active to Precharge command	45	70000	45	70000	45	70000	ns	
t_{RC}	Active to Active/Auto-refresh command period	60	-	60	-	57	-	ns	
t_{RFC}	Auto-refresh to Active/Auto-refresh command period	75	-	75	-	75	-	ns	

Symbol	Parameter	-5 DDR2 -400		-3.7 DDR2 -533		-3 DDR2 -667		Unit
		Min	Max	Min	Max	Min	Max	
t_{RCD}	Active to Read or Write delay (with and without Auto-Precharge) delay	15	-	15	-	12	-	ns
t_{RP}	Precharge command period	15	-	15	-	12	-	ns
t_{RRD}	Active bank A to Active bank B command (1k page size)	7.5	-	7.5	-	7.5	-	ns
t_{CCD}	CAS A to CAS B Command Period	2	-	2	-	2	-	t_{CK}
t_{WR}	Write recovery time	15	-	15	-	15	-	ns
t_{DAL}	Auto precharge write recovery + precharge time	WR+tRP	-	WR+tRP	-	WR+tRP	-	t_{CK}
t_{WTR}	Internal write to read command delay	10	-	7.5	-	7.5	-	ns
t_{RTP}	Internal read to precharge command delay	7.5	-	7.5	-	7.5	-	ns
t_{XARD}	Exit power down to any valid command (other than NOP or Deselect)	2	-	2	-	2	-	t_{CK}
t_{XARDS}	Exit active power-down mode to read command (slew exit, lower power)	6 - AL	-	6 - AL	-	6 - AL	-	t_{CK}
t_{XP}	Exit precharge power-down to any valid command (other than NOP or Deselect)	2	-	2	-	2	-	t_{CK}
t_{XSRD}	Exit Self-Refresh to read command	200	-	200	-	200	-	t_{CK}
t_{XSNR}	Exit Self-Refresh to non-read command	tRFC + 10	-	tRFC + 10	-	tRFC + 10	-	ns
t_{CKE}	CKE minimum high and low pulse width	3	-	3	-	3	-	t_{CK}
t_{OIT}	OCD drive mode output delay	0	12	0	12	0	12	ns
t_{DELAY}	Minimum time clocks remain ON after CKE asynchronously drops low	tIS+tCK +tIH	-	tIS+tCK +tIH	-	tIS+tCK +tIH	-	ns
t_{REFI}	Average Periodic Refresh Interval	0°C - 85°C	-	7.8	-	7.8	-	7.8
		85°C - 95°C	-	3.9	-	3.9	-	3.9

1. For details and notes see the relevant INFINEON component datasheet
2. Timing definition and values for tis, tih, tds and tdh may change due to actual JEDEC work. This may also effect the SPD code for these parameters.

5.2 ODT AC Electrical Characteristics and Operating Conditions (all speed bins)

Symbol	Parameter / Condition		min.	max.	Units
t_{AOND}	ODT turn-on delay		2	2	t_{CK}
t_{AON}	ODT turn-on	DDR2-400/533	tAC(min)	tAC(max) + 1 ns	ns
		DDR2-667	tAC(min)	tAC(max) + 0.7 ns	
t_{AONPD}	ODT turn-on (Power-Down Modes)		tAC(min) + 2 ns	2 tCK + tAC(max) + 1 ns	ns
t_{AOFD}	ODT turn-off delay		2.5	2.5	t_{CK}
t_{AOF}	ODT turn-off		tAC(min)	tAC(max) + 0.6 ns	ns
t_{AOFPD}	ODT turn-off delay (Power-Down Modes)		tAC(min) + 2 ns	2.5 tCK + tAC(max) + 1 ns	ns
t_{ANPD}	ODT to Power Down Mode Entry Latency		3	-	t_{CK}
t_{AXPD}	ODT Power Down Exit Latency		8	-	t_{CK}

6.0 Serial Presence Detect Codes for Registered DIMM Modules

Byte#	Description	Speed Grade	SPD Entry Value	Hex Value		
				HYS72T32000GR	HYS72T64020GR	HYS72T64001GR
	Note: "-5" := DDR2-3200 (DDR2-400) "-3.7" := DDR2-4200 (DDR2-533) "-3" := DDR2-5300 (DDR2-667)					
0	Number of SPD Bytes	all	128	80		
1	Total Bytes in Serial PD	all	256	08		
2	Memory Type	all	DDR2-SDRAM	08		
3	Number of Row Addresses	all	13	0D		
4	Number of Column Addresses	all	10 / 11	0A	0A	0B
5	Number of DIMM Ranks, Package and Height	all	1 / 2	60	61	60
6	Module Data Width	all	x72	48		
7	Not used	all	not used	00		
8	Module Interface Levels	all	SSTL_1.8	05		
9	Min. Clock Cycle Time at $\overline{\text{CAS}}$ Latency = 5	-5	5 ns	50		
		-3.7	3.7 ns	3D		
		-3	3 ns	30		
10	SDRAM Access Time from Clock at CL = 5	-5	0.6 ns	60		
		-3.7	0.5 ns	50		
		-3	0.45 ns	45		
11	DIMM Configuration Type	all	ECC	02		
12	Refresh Rate/Type	all	7.8 μs / SR	82		
13	SDRAM Width, Primary	all	x8, x4	08	08	04
14	Error Checking SDRAM Data Width	all	x8, x4	08	08	04
15	Not used	all	not used	00		
16	Burst Length Supported	all	4 & 8	0C		
17	Number of SDRAM Banks	all	4	04		
18	Supported $\overline{\text{CAS}}$ Latencies	all	5, 4, 3	38		
19	Not used	all	not used	00		
20	DIMM Type Information	all	Reg. DIMM	01		
21	SDRAM Module Attributes	all	see note 1	00		
22	SDRAM Device Attributes: General	all	incl. weak driver	01		
23	Min. Clock Cycle Time at $\overline{\text{CAS}}$ Latency = 4	-5	5 ns	50		
		-3.7	3.7 ns	3D		
		-3	3 ns	30		
24	SDRAM Access Time from Clock at CL = 4	-5	0.6 ns	60		
		-3.7	0.5 ns	50		
		-3	0.45 ns	45		
25	Min. Clock Cycle Time at $\overline{\text{CAS}}$ Latency = 3	all	5 ns	50		
26	SDRAM Access Time from Clock at CL = 3	all	0.6 ns	60		
27	Minimum Row Precharge Time (tRP)	-5 & -3.7	15 ns	3C		
		-3	12 ns	30		
28	Minimum Row Act. to Row Act. Delay (tRRD)	all	7.5 ns	1E		
29	Minimum $\overline{\text{RAS}}$ to $\overline{\text{CAS}}$ Delay (tRCD)	-5 & -3.7	15 ns	3C		
		-3	12 ns	30		
30	Minimum $\overline{\text{RAS}}$ Pulse Width (tRAS)	all	45 ns	2D		
31	Module Density (per rank)	all		40	40	80

Byte#	Description	Speed Grade	SPD Entry Value	Hex Value		
				HYS72T3200GR	HYS72T6402GR	HYS72T64001GR
	Note: "-5" := DDR2-3200 (DDR2-400) "-3.7" := DDR2-4200 (DDR2-533) "-3" := DDR2-5300 (DDR2-667)					
32	Address and Command Setup Time (tIS)	-5	0.60 ns	60		
		-3.7	0.50 ns	50		
		-3	0.45 ns	45		
33	Address and Command Hold Time (tIH)	-5	0.60ns	60		
		-3.7	0.50 ns	50		
		-3	0.45ns	45		
34	Data Input Setup Time (tDS)	-5	0.40 ns	40		
		-3.7	0.35 ns	35		
		-3	0.30 ns	30		
35	Data Input Hold Time (tDH)	-5	0.40 ns	40		
		-3.7	0.35 ns	35		
		-3	0.30 ns	30		
36	Write Recovery Time (tWR)	all	15 ns	3C		
37	Internal Write to Read Command delay (tWTR)	-5	10 ns	28		
		-3.7 & -3	7.5 ns	1E		
38	Internal Read to Precharge delay (tRTP)	all	7.5 ns	1E		
39	Not used		not used	00		
40	Extension of Byte 41 tRC and Byte 42 tRFC	all		00		
41	Minimum Core Cycle Time (tRC)	-5 & -3.7	60 ns	3C		
		-3	57 ns	39		
42	Min. Auto Refresh Command Cycle Time (tRFC)	all	75 ns	4B		
43	Maximum Clock Cycle Time tck	all	8 ns	80		
44	Max. DQS-DQ Skew (tDQSQmax.)	-5	0.35 ns	23		
		-3.7	0.30 ns	1E		
		-3	0.25 ns	19		
45	Read Data Hold Skew Factor (tQHS)	-5	0.45 ns	2D		
		-3.7	0.40 ns	28		
		-3	0.35 ns	23		
46	PLL Relock Time		15.0 µs	0F		
47-61	Reserved for "Delta Temperature in SPD"		see note 1	00		
62	SPD Revision		Revision 1.0	10		
63	Checksum for Bytes 0 - 62	-5		7D	7E	B6
		-3.7		tbd.	tbd.	tbd.
		-3		tbd.	tbd.	tbd.
64	Manufacturers JEDEC ID Code		INFINEON	C1		
65-71	Not used		not used	00		
72	Module Assembly Location			XX		
73-90	Module Part Number			XX		
91-92	Module Revision Code			XX		
93-94	Module Manufacturing Date		Year/Week Code	XX		
95-98	Module Serial Number		Serial Number	XX		
99-127	Manufacturer's Specific Data		blank	FF		
128-255	Open for Customer use		blank			

Note 1 : Will be used for future SPD Code Revisions. For details of "Delta Temperature in SPD" see JEDEC ballot JC-42.5 Item # 1468.

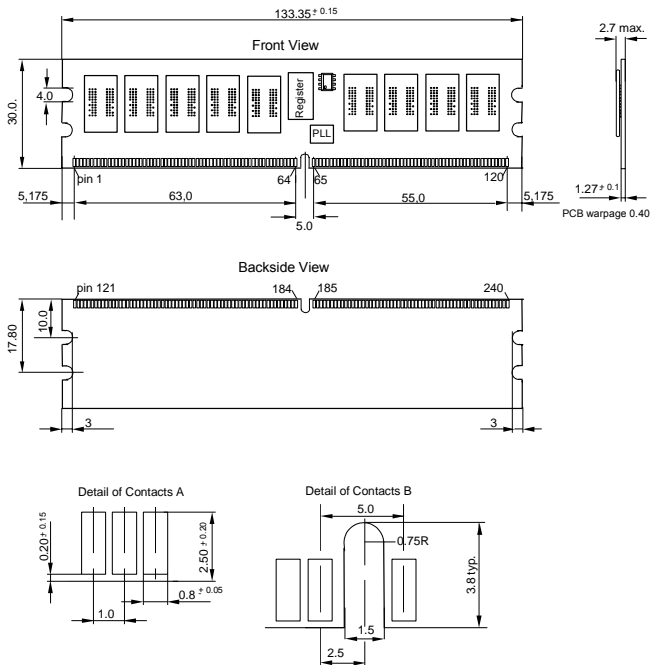
7.0 Package Outline

7.1 Raw Card A

Module Package

DDR2 Registered DIMM Modules Raw Card A

one physical rank, 9 components x8 organised



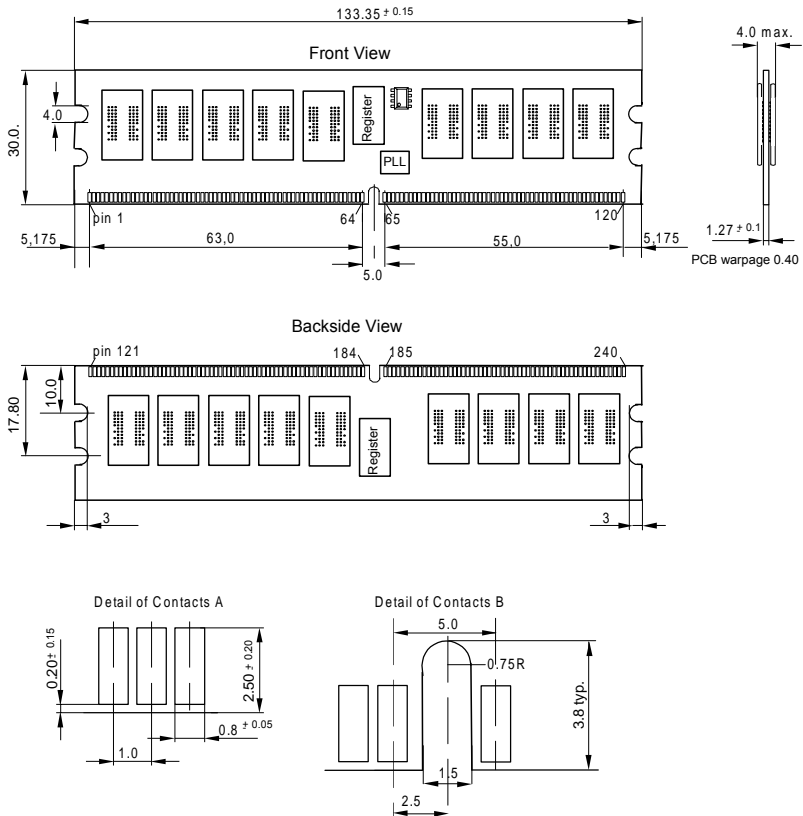
note: all outline dimensions and tolerances are in accordance with the JEDEC standard (MO-237)

7.3 Raw Card C

Module Package

DDR2 Registered DIMM Modules Raw Card C

one physical rank, 18 components x4 organised



note: all outline dimensions and tolerances are in accordance with the JEDEC standard (MO-237)

8.0 Nomenclature (Modules & Components)

8.1 DDR2 DIMM Modules

		1	2	3	4	5	6	7	8	9	10	11						
Example:		H	Y	S	6	4	T	6	4	0	2	0	G	R	-	5	-	A
1	INFINEON Prefix	HYS for DIMM Modules					7	Product Variations		0 = standard 2 = dual die package								
2	Module Data Width	64 = Non-ECC Modules 72 = ECC Modules					8	Package		G= BGA components								
3	DRAM Technology	T = DDR2					9	Module Type		R = Registered DIMMs U = Unbuffered DIMMs DL = Small Outline DIMMs								
4	Memory Density per I/O	32 = 32 Mb 64 = 64 Mb 128 = 128 Mb 256 = 256 Mb					10	Speed Grade		-5 = PC2-3200 (DDR2-400) -3.7 = PC2-4200 (DDR2-533) -3 = PC2-5300 (DDR2-667)								
5	Raw Card Generation	0 = first generation					11	Die Revision		A = 1st Generation B = 2nd Generation C = 3rd Generation								
6	Number of Memory Ranks	0 = One Rank 2 = Two Ranks					Multiplying "Memory Density per I/O" with "Module Data Width" and dividing by 8 for Non-ECC and 9 for ECC modules gives the overall module memory density in MBytes.											

8.2 DDR2 Memory Components

		1	2	3	4	5	6	7	8	9							
Example:		H	Y	B	1	8	T	2	5	6	4	0	0	A	C	-	5
1	INFINEON Component Prefix	HYB for DRAM Components					6	Product Variations		0 = standard							
2	Power Supply Voltage	18 = 1.8 V Power Supply					7	Die Revision		A = 1st Generation B = 2nd Generation C = 3rd Generation							
3	DRAM Technology	T = DDR2					8	Package Type		C = BGA package F = BGA package (lead and halogen free)							
4	Memory Density	256 = 256 Mb 512 = 512 Mb 1G = 1024Mb					9	Speed Grade		-5 = ...DDR2-400 -3.7 = ...DDR2-533 -3 = ...DDR2-667							
5	Memory Organisation	40 = x4, 4 data in/outputs 80 = x8, 8 data in/outputs 16 = x16, 16 data in/outputs															

