



## LC864132B/28B/24B/20B/16B/12B

### 8-bit Single Chip Microcontroller

## Overview

The LC864132B/28B/24B/20B/16B/12B microcontrollers are 8-bit single chip microcontrollers with the following on-chip functional blocks:

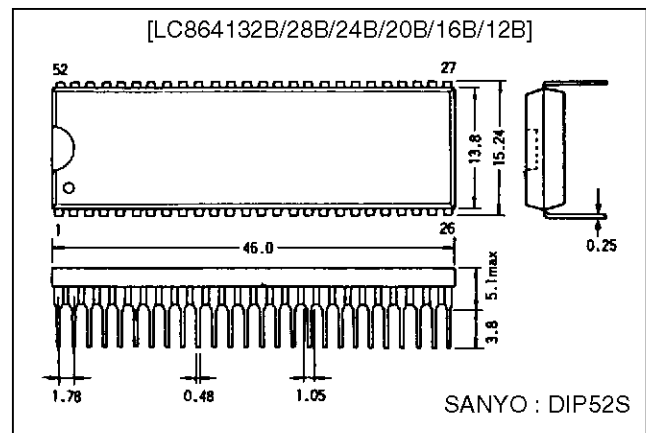
- CPU : Operable at a minimum bus cycle time of 0.5  $\mu$ s
- On-chip ROM maximum capacity : 32K bytes
- On-chip RAM capacity : 384 bytes
- CRT display RAM : 640  $\times$  9 bits
- Closed-caption TV controller and the on-screen display controller
- 16-bit timer/counter
- 4-channel  $\times$  4-bit A/D Converter
- 8-bit synchronous serial-interface circuit
- Closed-caption data slicer
- 12-source 10-vector interrupt system

All of the above functions are fabricated on a single chip.

## Package Dimensions

unit : mm

### 3128-DIP52S



## Features

- |                                  |           |                                       |
|----------------------------------|-----------|---------------------------------------|
| (1) Read-only memory (ROM) :     | LC864132B | 32768 $\times$ 8 bits                 |
|                                  | LC864128B | 28672 $\times$ 8 bits                 |
|                                  | LC864124B | 24576 $\times$ 8 bits                 |
|                                  | LC864120B | 20480 $\times$ 8 bits                 |
|                                  | LC864116B | 16384 $\times$ 8 bits                 |
|                                  | LC864112B | 12288 $\times$ 8 bits                 |
| (2) Random access memory (RAM) : |           | 384 $\times$ 8 bits                   |
|                                  |           | 640 $\times$ 9 bits (for CRT display) |

## LC864132B/28B/24B/20B/16B/12B

---

### (3) OSD functions

- Screen for display : 34 columns × 16 rows (at standard character size)
- Display for RAM : 640 × 9 bits (6 columns for control + 34 columns for display) × 16 rows × 9 bits
- 252 kinds of user specified characters
  - 125 kinds 9 × 9 dots
  - 127 kinds 12 × 18 dots
- Various character attributes
  - Character colors : 16 colors
  - Character background colors : 16 colors
  - Fringe / shadow colors : 16 colors
  - Full screen colors : 16 colors
  - Fringe / shadow
  - Rounding
  - Underline
  - Italic character (slanting)
- Close-character attribute data changing available
- Vertical display start line setting in row unit available (Row overlapping available)
- Horizontal display start position setting available
- Display mode specification by row (Display mode mixable)
  - caption mode / text mode / OSD mode
- Eight kinds of character size
  - Horiz. × Vert. = (1 × 1), (1 × 2), (2 × 2), (2 × 4)
  - (1.5 × 1), (1.5 × 2), (3 × 2), (3 × 4)
- Shuttering and scrolling in row unit available
- Horizontal character pitch selectable : 9 to 16 dots
- Polarity of R, G, B, I, BL output programmable
- Polarity of HS, VS input programmable

### (4) Bus cycle time / instruction-cycle time

The LC864132B/24B/20B/16B/12B microcontrollers are designed to read the ROM twice within one instruction cycle. It has about 1.7 times performance capability within the same instruction-cycle compared to our 4-bit microcontrollers (LC66000 series).

The bus cycle time indicates the speed to read ROM.

Bus cycle time	Instruction cycle time	System clock oscillation	Oscillation frequency	Voltage
0.5 μs	1.0 μs	Ceramic (CR)	12 MHz	4.5 V to 5.5 V
7.5 μs	15.0 μs	Internal RC	800 kHz	4.5 V to 5.5 V

### (5) Ports

- Input/output port : 2 ports (16 lines)
  - Input/output port programmable in nibble unit : 1 port (8 lines)
  - (When the N-ch open drain output is selected, the data in a bit can be inputted.)
  - Input/output port programmable in a bit : 1 port (8 lines)
- Input Port : 2 ports (8 lines)

### (6) A/D converter

- 4 channel × 4-bit A/D converter (converted with program)

### (7) PWM output

- 10-channel × 7-bit PWM

### (8) Timer

- Timer 0 : 16-bit timer / counter
  - 2-bit prescaler + 8-bit built-in programmable prescaler
  - Mode 0 : Two 8-bit timers with a programmable prescaler
  - Mode 1 : 8-bit timer with a programmable prescaler + 8-bit counter
  - Mode 2 : 16-bit timer with a programmable prescaler
  - Mode 3 : 16-bit counter

The resolution of timer is 1 tCYC.
- Timer 1 : 16-bit timer / PWM
  - Mode 0 : Two 8-bit timers
  - Mode 1 : 8-bit timer + 8-bit PWM
  - Mode 2 : 16-bit timer
  - Mode 3 : Variable-bit PWM (9 to 16 bits)

In Mode 0 and Mode 1, the resolution of Timer and PWM is tCYC.  
In Mode 2 and Mode 3, the resolution of Timer and PWM selectable : tCYC or 1/2tCYC by program.

### (9) Remote control receiver circuit (shares with the P73/INT3/T0IN terminal)

- Noise rejection function
- Polarity switching

### (10) Watchdog timer

- External RC circuit is required
- Interrupt or system reset is selectable

### (11) Interrupts

- 12-source 10-vectored interrupts
  1. External interrupt INT0
  2. External interrupt INT1
  3. External interrupt INT2, Timer/counter T0L (Lower 8 bits)
  4. External interrupt INT3
  5. Timer/counter T0H (Upper 8 bits)
  6. Timer T1H, T1L
  7. Serial interface 0 (SIO0)
  8. Data slicer
  9. Vertical synchronous signal interrupt ( $\overline{VS}$ )
  10. Port 0
- Interrupt priority control available
  - Three interrupt priorities are supported (low, high and the highest) and multilevel nesting is possible. Low or high priority can be assigned to the interrupts from 3 to 10 listed above. For the external interrupt INT0 and INT1, high or the highest priority can be set.

### (12) Sub-routine stack level

- A maximum of 128 levels (Sets the stack inside a RAM.)

### (13) Multiplication/division instruction

- 16 bits  $\times$  8 bits ( 7 instruction cycle times)
- 16 bits / 8 bits ( 7 instruction cycle times)

(14) 3 oscillation circuits

- On-chip RC oscillation circuit for the system clock
- On-chip CF oscillation circuit for the system clock
- On-chip LC oscillation circuit for the CRT synchronization

(15) Standby function

- HALT mode function

The HALT mode is used to reduce the power dissipation. In this operation mode, the program execution is stopped. This mode can be released by the interrupt request signals or the system reset.

- HOLD mode

The HOLD mode is used to stop oscillations; the RC (internal) and the ceramic oscillations.

This mode can be released by the following conditions.

- Pull the reset terminal ( $\overline{\text{RES}}$ ) to a low level.
- Feed the selected level to either P70/INT0 or P71/INT1.
- Feed the Port 0 interrupt condition.

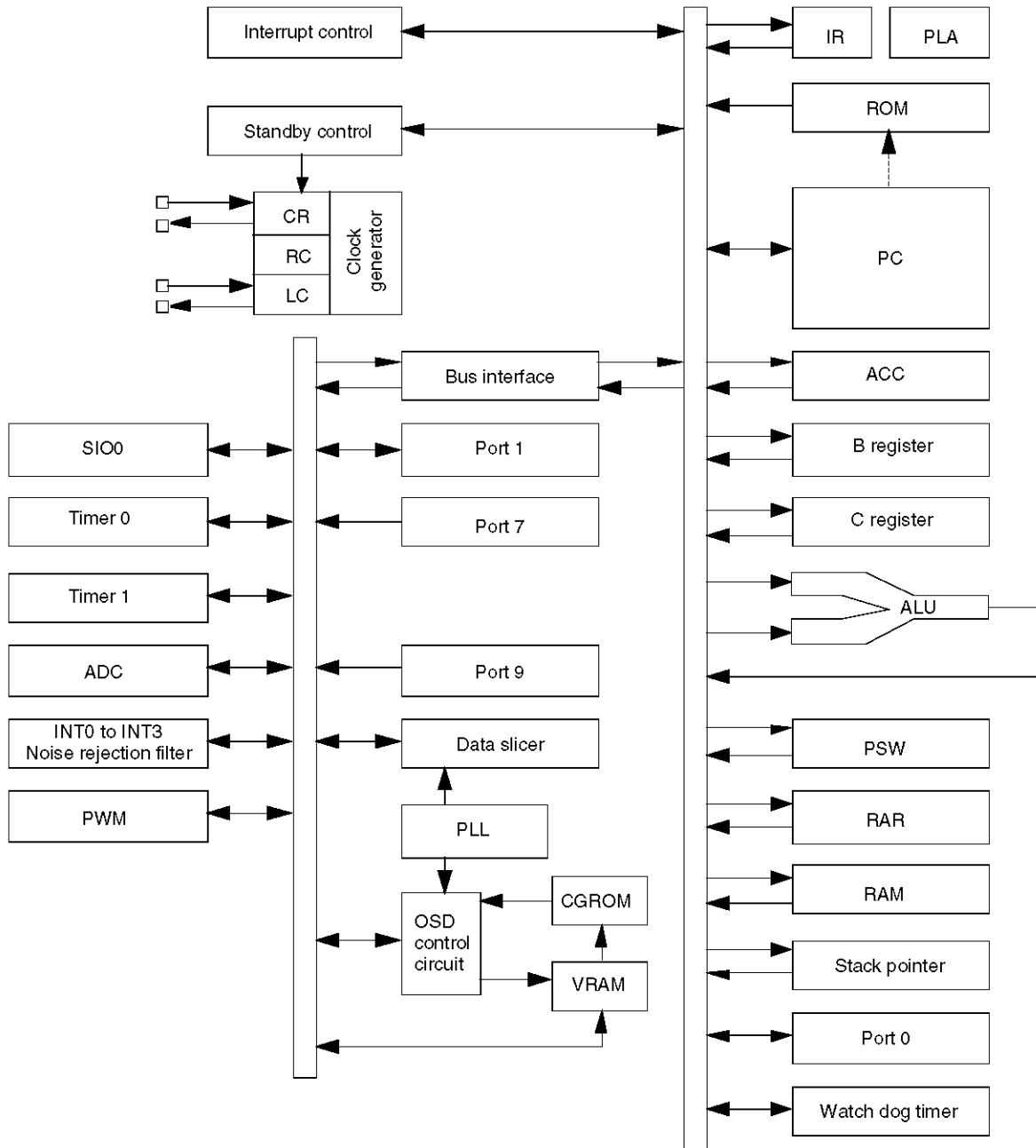
(16) Factory shipment

DIP52S

(17) Development Tool

- Evaluation chip : LC866098
- EPROM with a window : LC86E4164
- One time : LC86P4164
- Emulator : EVA86000 (Main) + ECB864100 (Evaluation board) + POD864100 (Pod)

System Block Diagram



Pin Assignment

P10/SO0	1	52	P07
P11/SI0/SB0	2	51	P06
P12/SCK0	3	50	P05
P13	4	49	P04
P14	5	48	P03
P15	6	47	P02
P16	7	46	P01
P17/PWM	8	45	P00
DVSS	9	44	P73/INT3/T0IN
CF1	10	43	P72/INT2/T0IN
CF2	11	42	P71/INT1
DVDD	12	41	P70/INT0
P90/AN0	13	40	PWM9
P91/AN1	14	39	PWM8
P92/AN2	15	38	PWM7
P93/AN3	16	37	PWM6
$\overline{\text{RES}}$	17	36	PWM5
LC1	18	35	PWM4
LC2	19	34	PWM3
FILT	20	33	PWM2
AVDD	21	32	PWM1
AVSS	22	31	PWM0
CVIN	23	30	BL
$\overline{\text{VS}}$	24	29	B
$\overline{\text{HS}}$	25	28	G
I	26	27	R

Top veiw

## LC864132B/28B/24B/20B/16B/12B

### Pin Description

- Port option can be specified in bit units except the pull-up resistor selection of port 0.

Pin Description Table

Pin name	Pin No.	I/O	Function description	Option								
DVSS	9	—	Negative power supply for digital circuit									
CF1	10	Input	Input terminal for ceramic resonator									
CF2	11	Output	Output terminal for ceramic resonator									
DVDD	12	—	Positive power supply for digital circuit									
$\overline{\text{RES}}$	17	Input	Reset terminal									
LC1	18	Input	LC oscillation circuit input terminal									
LC2	19	Output	LC oscillation circuit output terminal									
FILT	20	Output	Filter terminal for PLL									
AVDD	21	—	Positive power supply for analog circuit									
AVSS	22	—	Negative power supply for analog circuit									
CVIN	23	Input	Video signal input terminal									
$\overline{\text{VS}}$	24	Input	Vertical synchronization signal input terminal									
$\overline{\text{HS}}$	25	Input	Horizontal synchronization signal input terminal									
I	26	Output	Image intensity output									
R	27	Output	Red (R) output terminal of RGB image output									
G	28	Output	Green (G) output terminal of RGB image output									
B	29	Output	Blue (B) output terminal of RGB image output									
BL	30	Output	Fast blanking control signal Switch TV image signal and caption/OSD image signal									
PWM0 to PWM9	31 to 40	Output	PWM0 to 9 output terminals 15 V withstand									
Port 0 P00 to P07	45 to 52	I/O	8-bit Input/output ports Input/output can be specified in nibble unit HOLD release input Interrupt input	Pull-up resistor Provided/not provided (in bit units) Output Format CMOS/Nch-OD (in bit units)								
Port 1 P10 to P17					1 to 8	I/O	8-bit Input/output ports Input/output can be specified in bit units Other functions <table border="1" style="margin-left: 20px;"> <tr><td>P10</td><td>SIO0 data output</td></tr> <tr><td>P11</td><td>SIO0 data input/bus input/output</td></tr> <tr><td>P12</td><td>SIO0 clock input/output</td></tr> <tr><td>P17</td><td>Timer 1 (PWM) output</td></tr> </table>	P10	SIO0 data output	P11	SIO0 data input/bus input/output	P12
P10	SIO0 data output											
P11	SIO0 data input/bus input/output											
P12	SIO0 clock input/output											
P17	Timer 1 (PWM) output											
Port 7 P70 P71 to P73	41 42 to 44	I/O Input	4-bit input port Other functions <table border="1" style="margin-left: 20px;"> <tr><td>P70</td><td>INT0 input/HOLD release input/ Nch-transistor output for watchdog timer</td></tr> <tr><td>P71</td><td>INT1 input/HOLD release input</td></tr> <tr><td>P72</td><td>INT2 input/timer 0 event input</td></tr> <tr><td>P73</td><td>INT3 input (noise rejection filter attached input/ timer 0 event input)</td></tr> </table>	P70	INT0 input/HOLD release input/ Nch-transistor output for watchdog timer	P71	INT1 input/HOLD release input	P72	INT2 input/timer 0 event input	P73	INT3 input (noise rejection filter attached input/ timer 0 event input)	Pull-up resistor provided/ not provided (in bit units)
P70				INT0 input/HOLD release input/ Nch-transistor output for watchdog timer								
P71	INT1 input/HOLD release input											
P72	INT2 input/timer 0 event input											
P73	INT3 input (noise rejection filter attached input/ timer 0 event input)											
Interrupt receiver format vector address												
	Rising	Falling	Rising/falling	H level	L level	Vector						
INT0	enable	enable	disable	enable	enable	03H						
INT1	enable	enable	disable	enable	enable	0BH						
INT2	enable	enable	enable	disable	disable	13H						
INT3	enable	enable	enable	disable	disable	1BH						

Continued on next page.

## LC864132B/28B/24B/20B/16B/12B

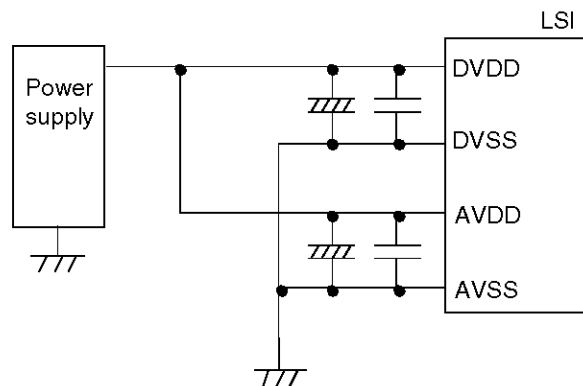
Continued from preceding page.

Pin name	Pin No.	I/O	Function Description	Option
Port 9	13 to 16	Input	4-bit input port	
P90 to P93			Other function	
			AD converter input port (4 lines)	

- Any port option can be selected in bit units.
- Port 0 portion : Pull-up resistor is provided when CMOS output is selected.  
The pull-up resistor is not provided when N-ch Open Drain is selected.
- Port 1 option : Programmable pull-up resistor is provided when any output form is selected.
  
- Port status in reset

Terminal	I/O	Pull-up resistor status at selecting pull-up option
Port 0	Input	Pull-up resistor OFF, ON after reset release
Port 1	Input	Programmable pull-up resistor OFF
Port 7	Input	Fixed pull-up resistor provided

- AVDD and AVSS are the power supply terminals for built-in analog circuit while DVDD and DVSS are the power supply terminals for built-in digital circuit. Connect them like the following figure to reduce the mutual noise-influence.





**Specifications**

**1. Absolute Maximum Ratings at Ta = 25°C, VSS = 0 V**

Parameter		Symbol	Pins	Conditions	Ratings			Unit		
					V <sub>DD</sub> [V]	min	typ		max	
Supply voltage		V <sub>DDmax</sub>	DVDD, AVDD	DVDD = AVDD		-0.3		7.0	V	
Input voltage		V <sub>I</sub> (1)	<ul style="list-style-type: none"> <li>• P71,72,73</li> <li>• Port 9</li> <li>• <math>\overline{RES}, \overline{HS}, \overline{VS}, CVIN</math></li> </ul>			-0.3		V <sub>DD</sub> +0.3		
Output voltage		V <sub>O</sub> (1)	R, G, B, BL, I, FILT			-0.3		V <sub>DD</sub> +0.3		
		V <sub>O</sub> (2)	PWM0 to PWM9			-0.3		15		
Input/output voltage		V <sub>IO</sub>	Ports 0, 1, P70			-0.3		V <sub>DD</sub> +0.3		
High-level output current	Peak output current	I <sub>OPH</sub> (1)	Ports 0, 1	<ul style="list-style-type: none"> <li>• Pull-up MOS transistor output</li> <li>• At each pin</li> </ul>		-2			mA	
		I <sub>OPH</sub> (2)	Ports 0, 1	<ul style="list-style-type: none"> <li>• CMOS output</li> <li>• At each pin</li> </ul>		-4				
		I <sub>OPH</sub> (3)	R, G, B, BL, I	<ul style="list-style-type: none"> <li>• CMOS output</li> <li>• At each pins</li> </ul>		-5				
	Total output current	ΣI <sub>OA</sub> H(1)	Port 1	The total of all pins			-10			
		ΣI <sub>OA</sub> H(2)	Port 0	The total of all pins			-10			
		ΣI <sub>OA</sub> H(3)	R, G, B, BL, I	The total of all pins			-15			
Low-level output current	Peak output current	I <sub>OPL</sub> (1)	Ports 0,1	At each pin				20		
		I <sub>OPL</sub> (2)	P70	At each pin				30		
		I <sub>OPL</sub> (3)	<ul style="list-style-type: none"> <li>• R, G, B, BL, I</li> <li>• PWM0 to PWM9</li> </ul>	At each pin				5		
	Total output current	ΣI <sub>OAL</sub> (1)	Port 0	The total of all pins					40	
		ΣI <sub>OAL</sub> (2)	Port 1, P70	The total of all pins					40	
		ΣI <sub>OAL</sub> (3)	R, G, B, BL, I	The total of all pins					15	
		ΣI <sub>OAL</sub> (4)	PWM0 to PWM9	The total of all pins					30	
Maximum power dissipation		Pd max	DIP52S	Ta = -30 to +70°C				430	mW	
Operating temperature range		Topr				-30		+70	°C	
Storage temperature range		Tstg				-55		+150		

\* DVSS and AVSS must be supplied the same voltage, V<sub>SS</sub>.      V<sub>SS</sub> = DVSS = AVSS  
 DVDD and AVDD must be supplied the same voltage, V<sub>DD</sub>.      V<sub>DD</sub> = DVDD = AVDD

## LC864132B/28B/24B/20B/16B/12B

### 2. Recommended Operating Range at Ta = -30°C to +70°C, VSS = 0 V

Parameter	Symbol	Pins	Conditions	Ratings			Unit	
				V <sub>DD</sub> [V]	min	typ		max
Operating supply voltage range	V <sub>DD</sub>	DVDD, AVDD	0.98 μs ≤ tCYC ≤ 1.02 μs		4.5		5.5	V
Hold voltage	V <sub>HD</sub>	DVDD, AVDD	RAMs and the registers hold data at HOLD mode.		2.0		5.5	
Input high-level voltage	V <sub>IH</sub> (1)	Port 0 (Schmitt)	Output disable	4.5 to 5.5	0.6V <sub>DD</sub>		V <sub>DD</sub>	
	V <sub>IH</sub> (2)	• Port 1 (Schmitt) • P72, 73 • HS, VS	Output disable	4.5 to 5.5	0.75V <sub>DD</sub>		V <sub>DD</sub>	
	V <sub>IH</sub> (3)	• P70 port input / interrupt • P71 • RES (Schmitt)	Output N-channel transistor OFF	4.5 to 5.5	0.75V <sub>DD</sub>		V <sub>DD</sub>	
	V <sub>IH</sub> (4)	• P70 Watchdog timer input	Output N-channel transistor OFF	4.5 to 5.5	V <sub>DD</sub> -0.5		V <sub>DD</sub>	
	V <sub>IH</sub> (5)	Port 9 port input		4.5 to 5.5	0.7V <sub>DD</sub>		V <sub>DD</sub>	
Input low-level voltage	V <sub>IL</sub> (1)	Port 0 (Schmitt)	Output disable	4.5 to 5.5	V <sub>SS</sub>		0.2V <sub>DD</sub>	
	V <sub>IL</sub> (2)	• Port 1 (Schmitt) • P72, 73 • HS, VS • Port 9	Output disable	4.5 to 5.5	V <sub>SS</sub>		0.25V <sub>DD</sub>	
	V <sub>IL</sub> (3)	• P70 port input / interrupt • P71 • RES (Schmitt)	N-channel transistor OFF	4.5 to 5.5	V <sub>SS</sub>		0.25V <sub>DD</sub>	
	V <sub>IL</sub> (4)	• P70 Watchdog timer input	N-channel transistor OFF	4.5 to 5.5	V <sub>SS</sub>		0.6V <sub>DD</sub>	
	V <sub>IL</sub> (5)	Port 9 port input		4.5 to 5.5	V <sub>SS</sub>		0.3V <sub>DD</sub>	
CVIN input amplitude	V <sub>CVIN</sub>	CVIN		5.0	1Vp-p -3 dB	1Vp-p	1Vp-p +3 dB	Vp-p *
Operation cycle time	tCYC(1)		OSD function	4.5 to 5.5	0.98	1	1.02	μs
	tCYC(2)		Except OSD function	4.5 to 5.5	0.98		30	

\* Vp-p: Peak-to-peak voltage

## LC864132B/28B/24B/20B/16B/12B

Parameter	Symbol	Pins	Conditions	Ratings			Unit	
				V <sub>DD</sub> [V]	min	typ		max
Oscillation frequency range (Note 1)	FmCF	CF1,CF2	12 MHz (ceramic resonator oscillation) Refer to Figure 1.	4.5 to 5.5	11.76	12	12.24	MHz
	FmLC	LC1,LC2	14.11 MHz (LC oscillation) Refer to Figure 2.	4.5 to 5.5		14.11		
	FmRC		RC oscillation	4.5 to 5.5	0.4	1.5	3.0	
Oscillation stable time period (Note 2)	tms CF	CF1,CF2	12 MHz (ceramic resonator oscillation) Refer to Figure 3.	4.5 to 5.5		0.02	0.2	ms

(Note 1) The oscillation constant is shown on Table 1 and Table 2.

(Note 2) The oscillation stable time period is the time necessary for the oscillation to become stable after the following conditions.

1. Supplying voltage.
2. Release the HOLD mode.
3. Release stopping the main-clock oscillation.

## LC864132B/28B/24B/20B/16B/12B

### 3. Electrical Characteristics at Ta = -30°C to +70°C , V<sub>SS</sub> = 0 V

Parameter	Symbol	Pins	Conditions	Ratings			Unit	
				V <sub>DD</sub> [V]	min	typ		max
Input high-level current	I <sub>IH</sub> (1)	<ul style="list-style-type: none"> <li>Port 1</li> <li>Port 0 without pull-up MOS transistor</li> </ul>	<ul style="list-style-type: none"> <li>Output disable</li> <li>Pull-up MOS transistor OFF</li> <li>V<sub>IN</sub> = V<sub>DD</sub> (including the off-leak current of the output transistor)</li> </ul>	4.5 to 5.5			1	μA
	I <sub>IH</sub> (2)	<ul style="list-style-type: none"> <li>Port 7 without pull-up MOS transistor</li> <li>Port 9</li> <li><math>\overline{RES}</math></li> <li>HS, VS</li> </ul>	V <sub>IN</sub> = V <sub>DD</sub>	4.5 to 5.5			1	
Input low-level current	I <sub>IL</sub> (1)	<ul style="list-style-type: none"> <li>Port 1</li> <li>Port 0 without pull-up MOS transistor</li> </ul>	<ul style="list-style-type: none"> <li>Output disable</li> <li>Pull-up MOS transistor OFF</li> <li>V<sub>IN</sub> = V<sub>DD</sub> (including the off-leak current of the output transistor)</li> </ul>	4.5 to 5.5	-1			
	I <sub>IL</sub> (2)	<ul style="list-style-type: none"> <li>Port 7 without pull-up MOS transistor</li> <li>Port 9</li> </ul>	V <sub>IN</sub> = V <sub>SS</sub>	4.5 to 5.5	-1			
	I <sub>IL</sub> (3)	<ul style="list-style-type: none"> <li><math>\overline{RES}</math></li> <li>HS, VS</li> </ul>	V <sub>IN</sub> = V <sub>SS</sub>	4.5 to 5.5	-1			
Output high-level voltage	V <sub>OH</sub> (1)	CMOS output of ports 0,1	I <sub>OH</sub> = -1.0 mA	4.5 to 5.5	V <sub>DD</sub> -1			V
	V <sub>OH</sub> (2)	R, G, B, BL, I	I <sub>OH</sub> = -0.1 mA	4.5 to 5.5	V <sub>DD</sub> -0.5			
Output low-level voltage	V <sub>OL</sub> (1)	Ports 0,1	I <sub>OL</sub> = 10 mA	4.5 to 5.5			1.5	
	V <sub>OL</sub> (2)	Ports 0,1	<ul style="list-style-type: none"> <li>I<sub>OL</sub> = 1.6 mA</li> <li>The total current of the ports 0, 1 is not over 40 mA.</li> </ul>	4.5 to 5.5			0.4	
	V <sub>OL</sub> (3)	<ul style="list-style-type: none"> <li>R, G, B, BL, I</li> <li>PWM0 to PWM9</li> </ul>	<ul style="list-style-type: none"> <li>I<sub>OL</sub> = 3.0 mA</li> <li>The current of any unmeasured pin is not over 3 mA.</li> </ul>	4.5 to 5.5			0.4	
	V <sub>OL</sub> (4)	P70	I <sub>OL</sub> = 1 mA	4.5 to 5.5			0.4	
Pull-up MOS transistor resistance	R <sub>pu</sub>	<ul style="list-style-type: none"> <li>P 0,1</li> <li>P 7</li> </ul>	V <sub>OH</sub> = 0.9V <sub>DD</sub>	4.5 to 5.5	13	38	80	kΩ
Output off-leakage current	I <sub>OFF</sub>	PWM0 to PWM9	V <sub>OUT</sub> = 13.5 V	4.5 to 5.5			5	μA
Hysteresis voltage	V <sub>HIS</sub>	<ul style="list-style-type: none"> <li>Ports 0, 1</li> <li>Port 7</li> <li><math>\overline{RES}</math></li> <li>HS, VS</li> </ul>	Output disable	4.5 to 5.5		0.1V <sub>DD</sub>		V

Continued to next page.

## LC864132B/28B/24B/20B/16B/12B

Continued from preceding page.

Parameter	Symbol	Pins	Conditions	Ratings			Unit	
				V <sub>DD</sub> [V]	min	typ		max
Input clamp voltage	V <sub>CLMP</sub>	CVIN		5.0	2.3	2.5	2.7	V
Pin capacitance	CP	All pins	<ul style="list-style-type: none"> <li>• f = 1 MHz</li> <li>• Unmeasured input pins are set to V<sub>SS</sub> level.</li> <li>• Ta = 25°C</li> </ul>	4.5 to 5.5		10		pF

### 4. Serial Input/Output Characteristics at Ta = -30°C to +70°C, V<sub>SS</sub> = 0 V

Parameter	Symbol	Pins	Conditions	Ratings			Unit		
				V <sub>DD</sub> [V]	min	typ		max	
Serial clock	Input clock	Cycle	tCKCY(1)	<ul style="list-style-type: none"> <li>• SCK0</li> <li>• SCLK0</li> </ul> Refer to Figure 5.	4.5 to 5.5	2			tCYC
		Low level pulse width	tCKL(1)			1			
		High level pulse width	tCKH(1)			1			
	Output clock	Cycle	tCKCY(2)	<ul style="list-style-type: none"> <li>• SCK0</li> <li>• SCLK0</li> </ul> • Use a pull-up resistor (1 kΩ) during open drain output • Refer to Figure 5.	4.5 to 5.5	2			
		Low level pulse width	tCKL(2)				1/2tCKCY		
		High level pulse width	tCKH(2)				1/2tCKCY		
Serial input	Data set-up time	tICK	<ul style="list-style-type: none"> <li>• SI0</li> </ul> • Data set-up to SCK0 rising • Data hold from SCK0 rising • Refer to Figure 5.	4.5 to 5.5	0.1			μs	
	Data hold time	tCKI			0.1				
Serial output	Output delay time (External serial clock)	tCKO(1)	<ul style="list-style-type: none"> <li>• SO0</li> </ul> • Use a pull-up resistor (1 kΩ) during open drain output. • Data set-up to SCK0 falling • Data hold from SCK0 falling • Refer to Figure 5.	4.5 to 5.5			7/12tCYC +0.2	μs	
	Output delay time (Internal serial clock)	tCKO(2)					1/3tCYC +0.2		

## LC864132B/28B/24B/20B/16B/12B

### 5. Pulse Input Conditions at $T_a = -30^{\circ}\text{C}$ to $+70^{\circ}\text{C}$ , $V_{SS} = 0\text{ V}$

Parameter	Symbol	Pins	Conditions	Ratings			Unit	
				$V_{DD}$ [V]	min	typ		max
High/low level pulse width	tPIH(1) tPIL(1)	• INT0, INT1 • INT2/T0IN	• Interrupt acceptable • Timer0-countable	4.5 to 5.5	1			tCYC
	tPIH(2) tPIL(2)	INT3/T0IN (The noise rejection clock is selected to 1/1)	• Interrupt acceptable • Timer0-countable	4.5 to 5.5	2			
	tPIH(3) tPIL(3)	INT3/T0IN (The noise rejection clock is selected to 1/16)	• Interrupt acceptable • Timer0-countable	4.5 to 5.5	32			
	tPIL(4)	$\overline{\text{RES}}$	Reset acceptable	4.5 to 5.5	200			$\mu\text{s}$
	tPIH(5) tPIL(5)	$\overline{\text{HS}}, \overline{\text{VS}}$	Display position controllable Each active edge of $\overline{\text{HS}}, \overline{\text{VS}}$ must be more than 1tCYC. Refer to Figure 7.	4.5 to 5.5	10			tCYC
Rising/falling time	tTHL tTLH	$\overline{\text{HS}}$	Refer to Figure 7.	4.5 to 5.5			500	ns
Horizontal pull-in range	FH	$\overline{\text{HS}}$	The monitor point in figure 10 is $1/2 V_{DD}$ .	4.5 to 5.5	15.23	15.73	16.23	kHz

### 6. A/D converter Characteristics at $T_a = -30^{\circ}\text{C}$ to $+70^{\circ}\text{C}$ , $V_{SS} = 0\text{ V}$

Parameter	Symbol	Pins	Conditions	Ratings			Unit	
				$V_{DD}$ [V]	min	typ		max
Resolution	N			4.5 to 5.5		4		bit
Absolute precision	ET		(Note 3)	4.5 to 5.5		$\pm 1/4$	$\pm 1/2$	LSB
Conversion time	tCAD	From selecting $V_{ref}$ to resulting	1 bit conversion time = 2tCYC	4.5 to 5.5			1.96	$\mu\text{s}$
Reference current	$I_{REF}$		(Regulate the ladder resistor)	4.5 to 5.5		1.0	2.0	mA
Analog input voltage range	$V_{AIN}$	AN0 to AN3		4.5 to 5.5	$V_{SS}$		$V_{DD}$	V
Analog port input current	$I_{AINH}$		$V_{AIN} = V_{DD}$	4.5 to 5.5			1	$\mu\text{A}$
	$I_{AINL}$		$V_{AIN} = V_{SS}$	4.5 to 5.5	-1			

(Note 3) Absolute precision excepts quantizing error ( $\pm 1/2$  LSB).

## LC864132B/28B/24B/20B/16B/12B

### 7. Current Drain Characteristics at $T_a = -30^{\circ}\text{C}$ to $+70^{\circ}\text{C}$ , $V_{SS} = 0\text{ V}$

Parameter	Symbol	Pins	Conditions	Ratings			Unit	
				$V_{DD}$ [V]	min	typ		max
Current drain during basic operation (Note 4)	$I_{DDOP}(1)$	DVDD, AVDD	<ul style="list-style-type: none"> <li>• FmCF = 12 MHz Ceramic resonator oscillation</li> <li>• FmLC = 14.11 MHz LC oscillation</li> <li>• System clock : CF oscillation</li> <li>• Internal RC oscillation stops</li> </ul>	4.5 to 5.5		16	28	mA
Current drain in HALT mode (Note 4)	$I_{DDHALT}(1)$	DVDD, AVDD	<ul style="list-style-type: none"> <li>• HALT mode</li> <li>• FmCF = 12 MHz Ceramic resonator oscillation</li> <li>• FmLC = 0 Hz (oscillation stops)</li> <li>• System clock : CF oscillation</li> <li>• Internal RC oscillation stops.</li> </ul>	4.5 to 5.5		5	10	mA
	$I_{DDHALT}(2)$	DVDD, AVDD	<ul style="list-style-type: none"> <li>• HALT mode</li> <li>• FmCF = 0 MHz (oscillation stops)</li> <li>• FmLC = 0 Hz (oscillation stops)</li> <li>• System clock : Internal RC</li> </ul>	4.5 to 5.5		600	1200	$\mu\text{A}$
Current drain in HOLD mode (Note 4)	$I_{DDHOLD}$	DVDD, AVDD	<ul style="list-style-type: none"> <li>• HOLD mode</li> <li>• All oscillation stops.</li> </ul>	4.5 to 5.5		0.05	20	$\mu\text{A}$

(Note 4) The currents of the output transistors and the pull-up MOS transistors are ignored.

## LC864132B/28B/24B/20B/16B/12B

Oscillation type	Manufacturer	Oscillator	C1	C2
12 MHz ceramic resonator oscillation	Murata	CSA12.0MTZ	33 pF	33 pF
		CST12.0MTW	on chip	
	Kyocera	KBR-12.0M	47 pF	47 pF

\* Both C1 and C2 must use an K rank ( $\pm 10\%$ ) and an SL characteristics.

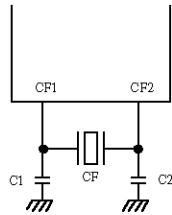
**Table 1. Ceramic Resonator Oscillation Guaranteed Constant (main-clock)**

Oscillation type	L	C3	C4
14.11MHz LC oscillation	4.7 $\mu\text{H}$	33 pF	45 pF (Trimmer)
	4.7 $\mu\text{H} \pm 10\%$ (Variable)	33 pF	33 pF

\* See Figure 11, 12.

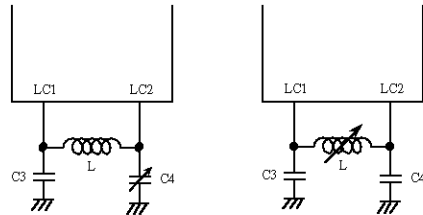
**Table 2. LC Oscillation Guaranteed Constant (OSD clock)**

- (Notes)
- Since the circuit pattern affects the oscillation frequency, place the oscillation-related parts as close to the oscillation pins as possible with the shortest pattern length.
  - If you use other oscillators than those shown above, we provide no guarantee for the characteristics.
  - Adjust the voltage of monitor point in figure 10 to  $1/2 V_{\text{DD}} \pm 10\%$  by the LC oscillation constant 'L' or 'C' to lock the PLL circuit.



Main clock

**Figure 1 Ceramic Resonator Oscillation**



OSD clock

**Figure 2 LC Resonator Oscillation**



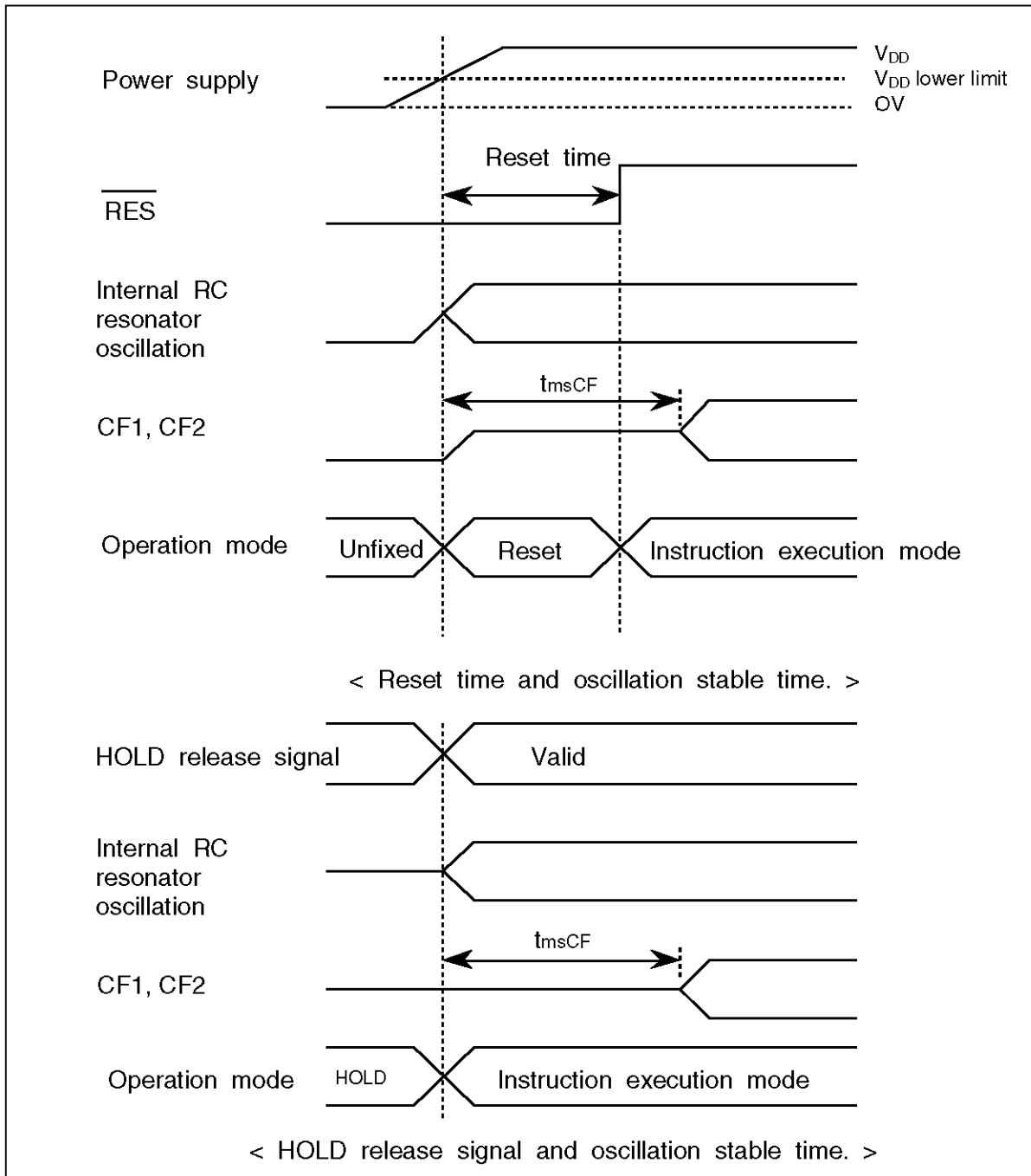
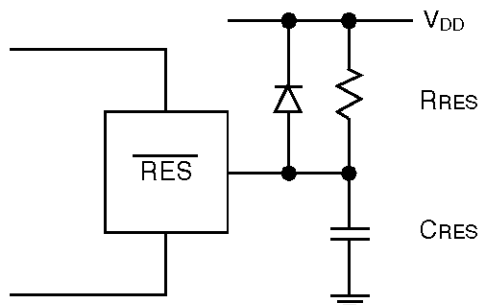


Figure 3 Oscillation Stable Time



(Note) Set the values of  $C_{RES}$ ,  $R_{RES}$  so that the reset time is 200  $\mu$ s or longer.

Figure 4 Reset Circuit

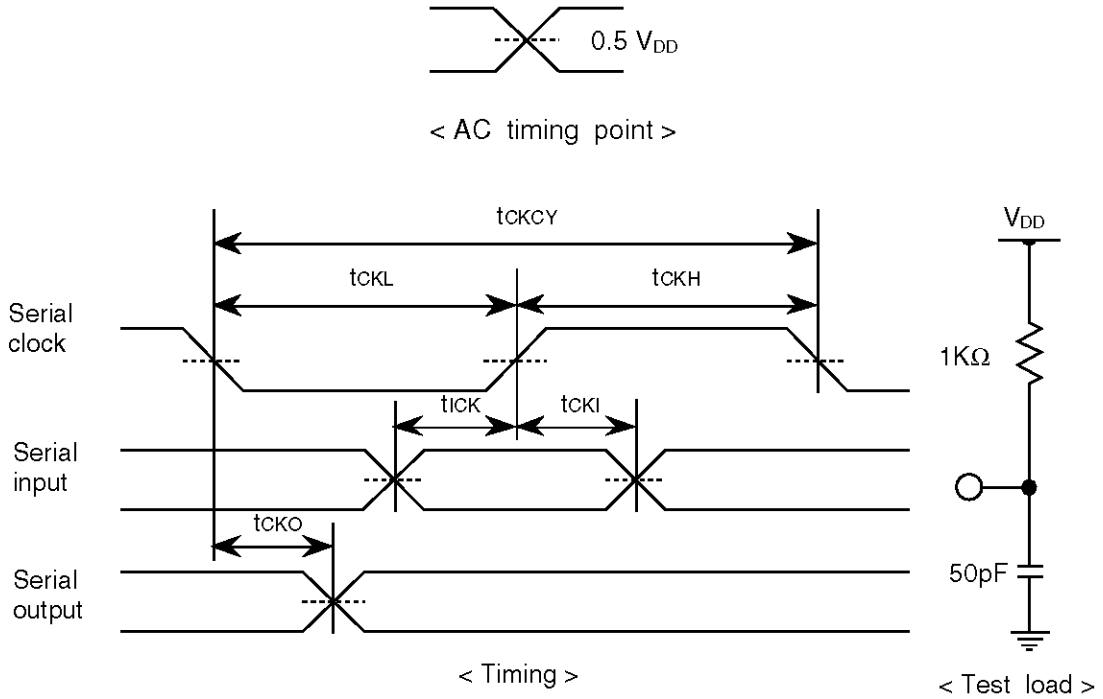


Figure 5 Serial Input/output Test Condition

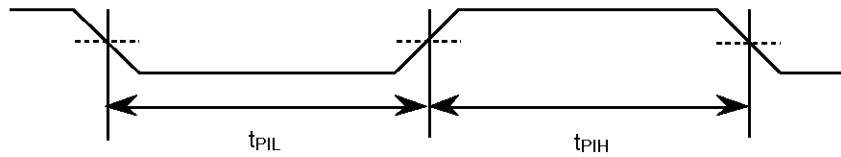


Figure 6 Pulse Input Timing Condition - 1

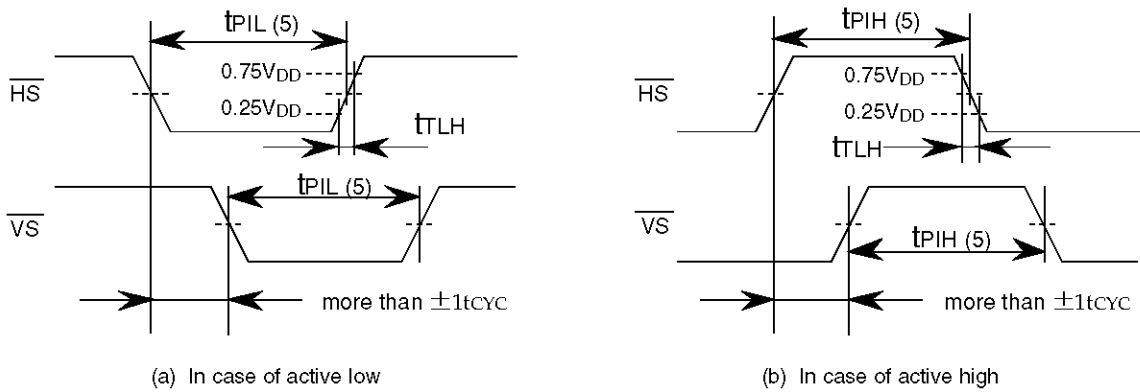


Figure 7 Pulse Input Timing Condition - 2

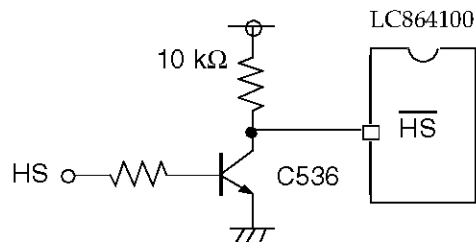


Figure 8 Recommended Interface Circuit

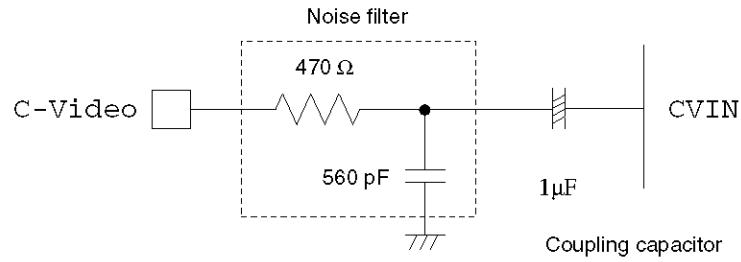


Figure 9 CVIN Recommended Circuit

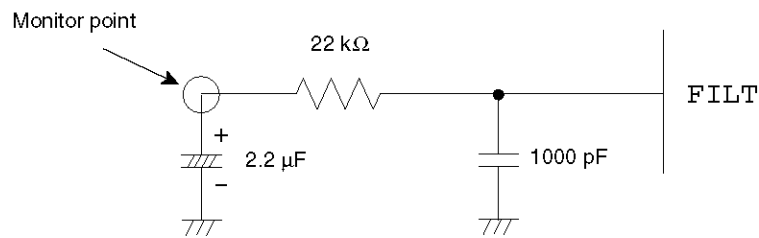


Figure 10 FILT Recommended Circuit

(Note) • Place the parts connected FILT terminal as close to the Filter as possible with the pattern length on the board.

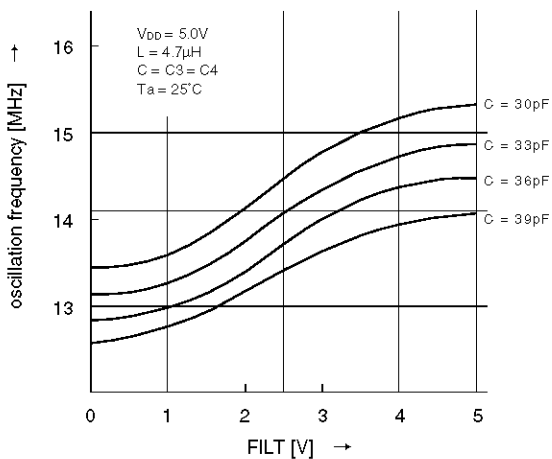


Figure 11 FILT-LC Oscillation Frequency (1)

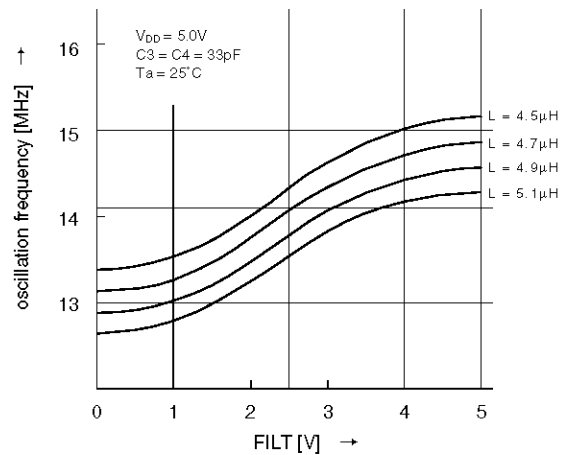


Figure 12 FILT-LC Oscillation Frequency (2)

- No products described or contained herein are intended for use in surgical implants, life-support systems, aerospace equipment, nuclear power control systems, vehicles, disaster/crime-prevention equipment and the like, the failure of which may directly or indirectly cause injury, death or property loss.
- Anyone purchasing any products described or contained herein for an above-mentioned use shall:
  - ① Accept full responsibility and indemnify and defend SANYO ELECTRIC CO., LTD., its affiliates, subsidiaries and distributors and all their officers and employees, jointly and severally, against any and all claims and litigation and all damages, cost and expenses associated with such use
  - ② Not impose any responsibility for any fault or negligence which may be cited in any such claim or litigation on SANYO ELECTRIC CO., LTD., its affiliates, subsidiaries and distributors or any of their officers and employees jointly or severally.
- Information (including circuit diagrams and circuit parameters) herein is for example only; it is not guaranteed for volume production. SANYO believes information herein is accurate and reliable, but no guarantees are made or implied regarding its use or any infringements of intellectual property rights or other rights of third parties.

This catalog provides information as of March, 1998. Specifications and information herein are subject to change without notice.

---