



Electronic Volume Controller IC

PT2257

DESCRIPTION

PT2257 is an Electronic Volume Controller IC utilizing CMOS Technology specially designed for the new generation of AV Entertainment Products. It has two (2) built-in channels making it ideally suitable for mono and stereo sound applications. PT2257 provides an I²C Control Interface, an attenuation range of 0 to -79 dB, low noise, high channel separation. Housed in 8-pin, DIP or SO Package, PT2257's pin assignments and application circuit are optimized for easy PCB Layout and cost saving advantages.

FEATURES

- CMOS Technology
- Low Power Consumption
- Least External Components
- Attenuation Range: 0 to -79 dB at 1dB/step
- Operating Voltage: 5 to 9 V
- Low Noise, S/N Ratio > 100dB (A-weighting)
- Two Channel Output
- Available in 8-pin, DIP or SO Package

APPLICATIONS

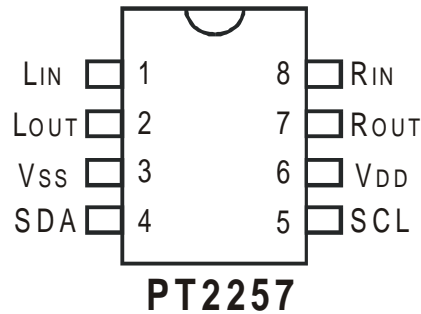
- AV Surround Audio Equipment
- Car Audio
- Mini Compo
- Computer Multi-Media Speaker
- Other Audio Equipments



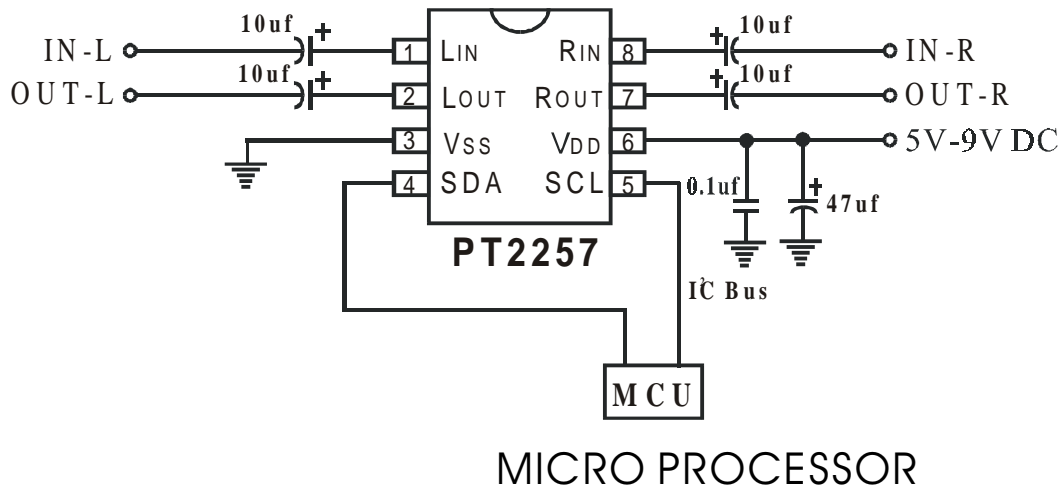
Electronic Volume Controller IC

PT2257

PIN CONFIGURATION



APPLICATION CIRCUIT



ORDER INFORMATION

Valid Part Number	Package
PT2257	8-Pin, DIP (300 mil)
PT2257-S	8-Pin, SO (150 mil)