

AN6308, AN6308S

Analog Switch ICs for VCR

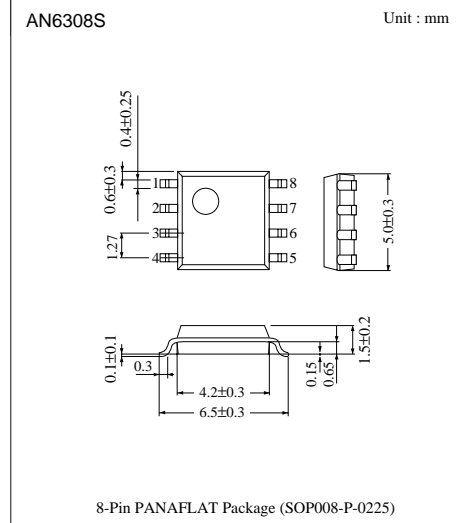
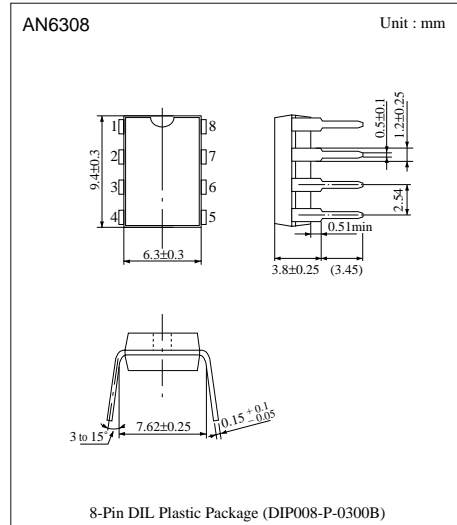
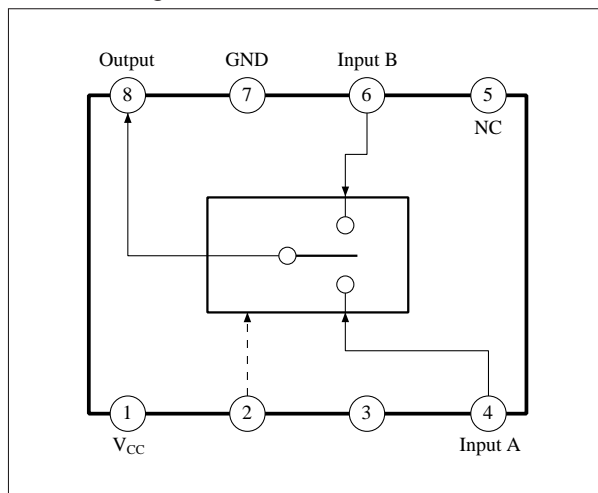
■ Overview

The AN6308 and the AN6308S are integrated circuits designed for video band analog switching.

■ Features

- Good frequency response : 10MHz flat
- High speed switching : 70ns typ.
- Low power consumption : 13mW typ.
- Supply voltage : 5V

■ Block Diagram



■ Pin Descriptions

Pin No.	Pin name
1	V _{CC}
2	Select
3	Bias
4	Input A
5	NC
6	Input B
7	GND
8	Output

■ Absolute Maximum Ratings (Ta = 25°C)

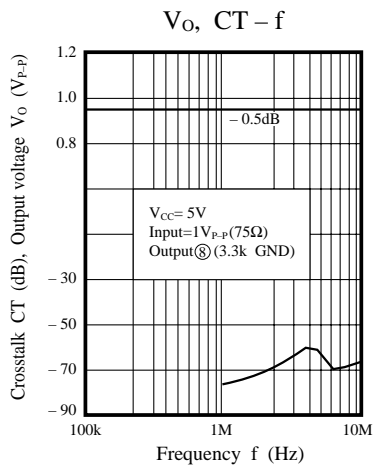
Parameter	Symbol	Rating	Unit
Supply voltage	V _{CC}	6.0	V
Power dissipation	P _D	30	mW
Operating ambient temperature	T _{opr}	- 20 to + 70	°C
Storage temperature	AN6308	T _{stg}	°C
	AN6308S		

■ Electrical Characteristics (V_{CC} = 5V, Ta = 25°C ± 2°C)

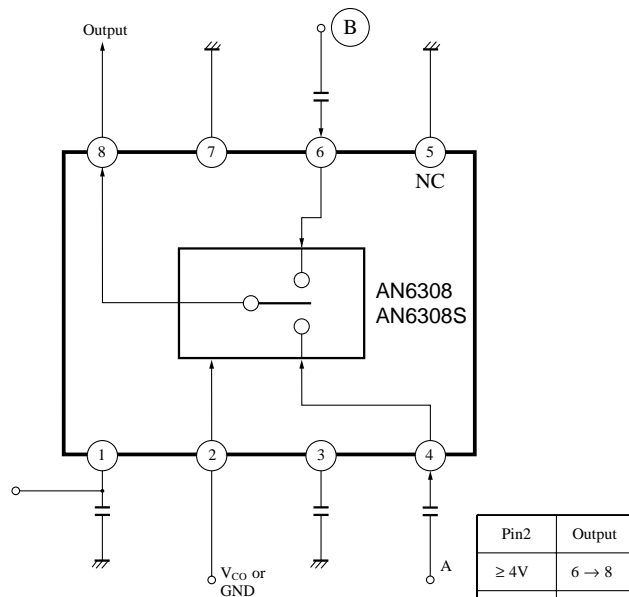
Parameter	Symbol	Condition	min	typ	max	Unit
Circuit current	I ₁		1.6	—	3.7	mA
Cross talk	CT ₈	f = 4MHz/1V _{P-P}	—	—	-50	dB
SW level difference	V _{O (offset)}		—	—	10	mV
Select sensitivity (A)	S _{(2) 4}		—	—	1.0	V
Select sensitivity (A)	S _{(2) 6}		4.0	—	—	V

Note) Operating supply voltage range V_{CC} (crp.) = 4.5V to 5.5V

■ Characteristics Curve



■ Application Circuit



- (1) Max. input 2.0V_{P-P} typ. (V_{CC} = 5V)
- (2) 4 6 Z_{in} = 5kΩ (typ.)
- (3) Output emitter follower, Current 2mA max.