

## Advance Information

MPC8272EC  
Rev. 0.2 12/2003

MPC8272  
PowerQUICC II™ Family  
Hardware Specifications



This hardware specification contains detailed information on power considerations, DC/AC electrical characteristics, and AC timing specifications for the MPC8272 family of devices—the MPC8272, the MPC8248, the MPC8271, and the MPC8247. These devices are .13μm (HiP7) members of the PowerQUICC II™ family of integrated communications processors. They include on a single chip a 32-bit PowerPC™ core that incorporates memory management units (MMUs) and instruction and data caches and that implements the PowerPC instruction set; a modified communications processor module (CPM); and an integrated security engine (SEC) for encryption (the MPC8272 and the MPC8248 only).

All four devices are collectively referred to throughout this hardware specification as ‘the MPC8272’ unless otherwise noted. The following topics are addressed:

Topic	Page
Section 1, “Overview”	2
Section 2, “Operating Conditions”	7
Section 3, “DC Electrical Characteristics”	8
Section 4, “Thermal Characteristics”	11
Section 5, “Power Dissipation”	14
Section 6, “AC Electrical Characteristics”	14
Section 7, “Clock Configuration Modes”	22
Section 8, “Pinout”	39
Section 9, “Package”	51
Section 10, “Ordering Information”	53
Section 11, “Document Revision History”	53

PRELIMINARY—SUBJECT TO CHANGE WITHOUT NOTICE

**For More Information On This Product,  
Go to: [www.freescale.com](http://www.freescale.com)**

# 1 Overview

Table 1 shows the functionality supported by each device in the MPC8272 family.

**Table 1. MPC8272 PowerQUICC II Family Functionality**

Functionality	Package <sup>1</sup>	Devices			
		MPC8272	MPC8248	MPC8271	MPC8247
Serial communications controllers (SCCs)		3	3	3	3
QUICC multi-channel controller (QMC)		Yes	Yes	Yes	Yes
Fast communication controllers (FCCs)		2	2	2	2
I-Cache (Kbyte)		16	16	16	16
D-Cache (Kbyte)		16	16	16	16
Ethernet (10/100)		2	2	2	2
UTOPIA II Ports		1	0	1	0
Multi-channel controllers (MCCs)		0	0	0	0
PCI bridge		Yes	Yes	Yes	Yes
Transmission convergence (TC) layer		—	—	—	—
Inverse multiplexing for ATM (IMA)		—	—	—	—
Universal serial bus (USB) 2.0 full/low rate		1	1	1	1
Security engine (SEC)		Yes	Yes	—	—

<sup>1</sup> Refer to Table 2.

Devices in the MPC8272 family are available in two packages—the VR or ZQ package—as shown in Table 2. For package ordering information, refer to Section 10, “Ordering Information.”

**Table 2. MPC8272 PowerQUICC II Device Packages**

Code (Package)	VR (516 PBGA—Lead free)	ZQ (516 PBGA—Lead spheres)
Device	MPC8272VR	MPC8272ZQ
	MPC8248VR	MPC8248ZQ
	MPC8271VR	MPC8271ZQ
	MPC8247VR	MPC8247ZQ

Figure 1 shows the block diagram of the MPC8272.

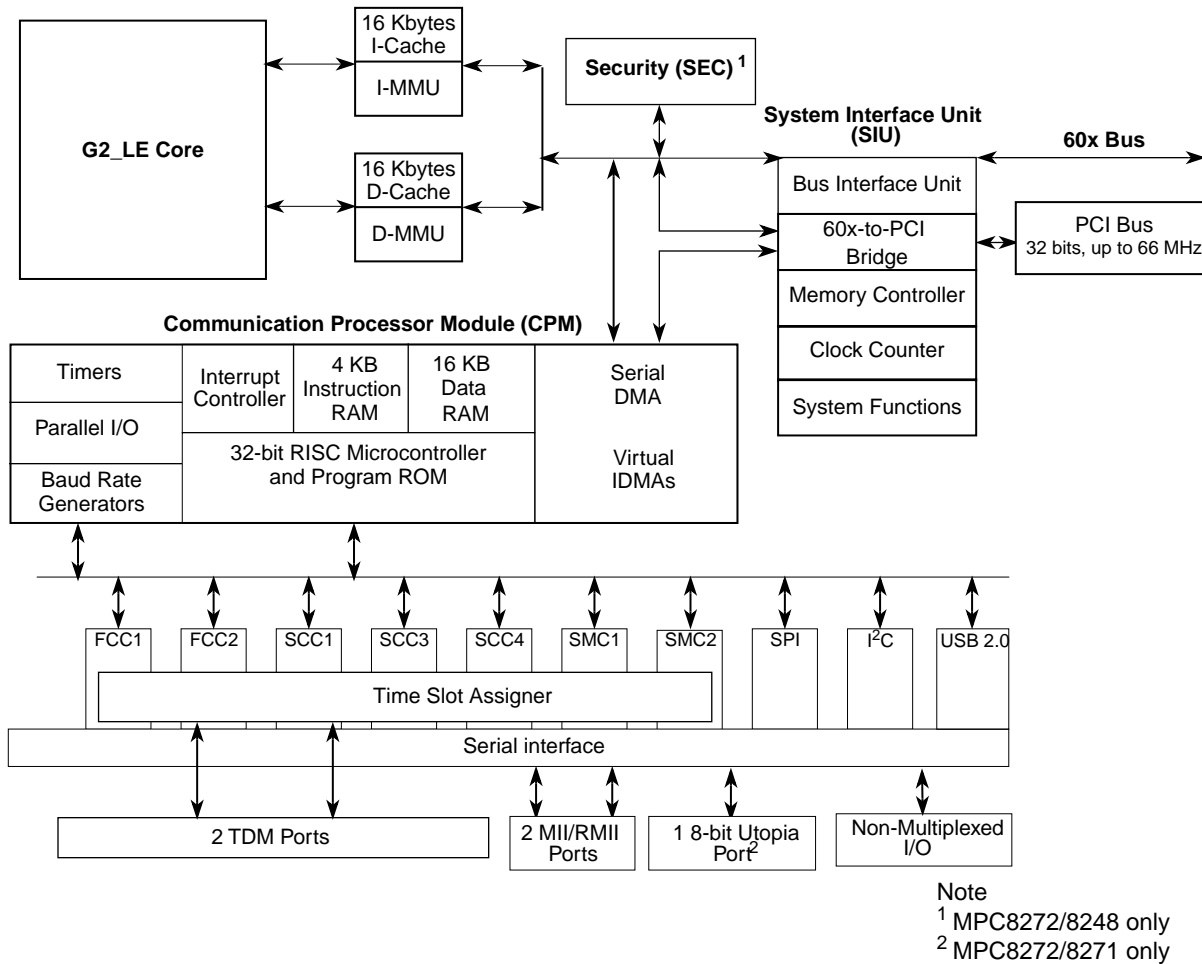


Figure 1. Block Diagram

## 1.1 Features

The major features of the MPC8272 are as follows:

- Dual-issue integer (G2\_LE) core
  - A core version of the MPC603e microprocessor
  - System core microprocessor supporting frequencies of 266-400 MHz
  - Separate 16-Kbyte data and instruction caches:
    - Four-way set associative
    - Physically addressed
    - LRU replacement algorithm
  - PowerPC architecture-compliant memory management unit (MMU)
  - Common on-chip processor (COP) test interface
  - Supports bus snooping for cache coherency
  - Floating-point unit (FPU) supports floating-point arithmetic
  - Support for cache locking
- Low-power consumption
- Separate power supply for internal logic (1.5 V) and for I/O (3.3 V)

## Overview

- Separate PLLs for G2\_LE core and for the communications processor module (CPM)
  - G2\_LE core and CPM can run at different frequencies for power/performance optimization
  - Internal core/bus clock multiplier that provides 2:1, 2.5:1, 3:1, 3.5:1, 4:1, 4.5:1, 5:1, 5.5:1, 6:1, 7:1, and 8:1 ratios
  - Internal CPM/bus clock multiplier that provides 2:1, 2.5:1, 3:1, 3.5:1, 4:1, 5:1, and 6:1 ratios
- 64-bit data and 32-bit address 60x bus
  - Bus supports multiple master designs—up to two external masters
  - Supports single transfers and burst transfers
  - 64-, 32-, 16-, and 8-bit port sizes controlled by on-chip memory controller
- 60x-to-PCI bridge
  - Programmable host bridge and agent
  - 32-bit data bus, 66 MHz, 3.3 V
  - Synchronous and asynchronous 60x and PCI clock modes
  - All internal address space available to external PCI host
  - DMA for memory block transfers
  - PCI-to-60x address remapping
- System interface unit (SIU)
  - Clock synthesizer
  - Reset controller
  - Real-time clock (RTC) register
  - Periodic interrupt timer
  - Hardware bus monitor and software watchdog timer
  - IEEE 1149.1 JTAG test access port
- Eight bank memory controller
  - Glueless interface to SRAM, page mode SDRAM, DRAM, EPROM, Flash, and other user-definable peripherals
  - Byte write enables
  - 32-bit address decodes with programmable bank size
  - Three user programmable machines, general-purpose chip-select machine, and page mode pipeline SDRAM machine
  - Byte selects for 64-bit bus width (60x)
  - Dedicated interface logic for SDRAM
- Disable CPU mode
- Integrated security engine (SEC) (MPC8272 and MPC8248 only)
  - Supports DES, 3DES, MD-5, SHA-1, AES, PKEU, RNG and RC-4 encryption algorithms in hardware
- Communications processor module (CPM)
  - Embedded 32-bit communications processor (CP) uses a RISC architecture for flexible support for communications peripherals
  - Interfaces to G2\_LE core through on-chip dual-port RAM and DMA controller. (Dual-port RAM size is 16 Kbyte plus 4Kbyte dedicated instruction RAM.)

- Universal serial bus (USB) controller
  - Supports USB 2.0 full/low rate compatible
  - USB host mode
    - Supports control, bulk, interrupt, and isochronous data transfers
    - CRC16 generation and checking
    - NRZI encoding/decoding with bit stuffing
    - Supports both 12- and 1.5-Mbps data rates (automatic generation of preamble token and data rate configuration). Note that low-speed operation requires an external hub.
    - Flexible data buffers with multiple buffers per frame
    - Supports local loopback mode for diagnostics (12 Mbps only)
  - Supports USB slave mode
    - Four independent endpoints support control, bulk, interrupt, and isochronous data transfers
    - CRC16 generation and checking
    - CRC5 checking
    - NRZI encoding/decoding with bit stuffing
    - 12- or 1.5-Mbps data rate
    - Flexible data buffers with multiple buffers per frame
    - Automatic retransmission upon transmit error
  - Serial DMA channels for receive and transmit on all serial channels
  - Parallel I/O registers with open-drain and interrupt capability
  - Virtual DMA functionality executing memory-to-memory and memory-to-I/O transfers
  - Two fast communication controllers (FCCs) supporting the following protocols:
    - 10-/100-Mbit Ethernet/IEEE 802.3 CDMA/CS interface through media independent interface (MII)
    - Transparent
    - HDLC—up to T3 rates (clear channel)
    - One of the FCCs supports ATM (MPC8272 and MPC8271 only)—full-duplex SAR at 155 Mbps, 8-bit UTOPIA interface 31 Mphys, AAL5, AAL1, AAL2, AAL0 protocols, TM 4.0 CBR, VBR, UBR, ABR traffic types, up to 64-K external connections
  - Three serial communications controllers (SCCs) identical to those on the MPC860 supporting the digital portions of the following protocols:
    - Ethernet/IEEE 802.3 CDMA/CS
    - HDLC/SDLC and HDLC bus
    - Universal asynchronous receiver transmitter (UART)
    - Synchronous UART
    - Binary synchronous (BiSync) communications
    - Transparent
    - QUICC multichannel controller (QMC) up to 64 channels
      - Independent transmit and receive routing, frame synchronization.
      - Serial-multiplexed (full-duplex) input/output 2048-, 1544-, and 1536-Kbps PCM highways

## Overview

- Compatible with T1/DS1 24-channel and CEPT E1 32-channel PCM highway, ISDN basic rate, ISDN primary rate, and user defined.
- Subchanneling on each time slot.
- Independent transmit and receive routing, frame synchronization and clocking
- Concatenation of any not necessarily consecutive time slots to channels independently for Rx/Tx
- Supports H1, H11, and H12 channels
- Allows dynamic allocation of channels
- SCC3 in NMSI mode is not usable when USB is enabled.
- Two serial management controllers (SMCs), identical to those of the MPC860
  - Provides management for BRI devices as general-circuit interface (GCI) controllers in time-division-multiplexed (TDM) channels
  - Transparent
  - UART (low-speed operation)
- One serial peripheral interface identical to the MPC860 SPI
- One I<sup>2</sup>C controller (identical to the MPC860 I<sup>2</sup>C controller)
  - Microwire compatible
  - Multiple-master, single-master, and slave modes
- Up to two TDM interfaces
  - Supports one group of two TDM channels
  - 1024 bytes of SI RAM
- Eight independent baud rate generators and 14 input clock pins for supplying clocks to FCC, SCC, SMC, and USB serial channels
- Four independent 16-bit timers that can be interconnected as two 32-bit timers
- PCI bridge
  - PCI Specification revision 2.2-compliant and supports frequencies up to 66 MHz
  - On-chip arbitration
  - Support for PCI to 60x memory and 60x memory to PCI streaming
  - PCI host bridge or peripheral capabilities
  - Includes four DMA channels for the following transfers:
    - PCI-to-60x to 60x-to-PCI
    - 60x-to-PCI to PCI-to-60x
    - PCI-to-60x to PCI-to-60x
    - 60x-to-PCI to 60x-to-PCI
  - Includes the configuration registers required by the PCI standard (which are automatically loaded from the EPROM to configure the MPC8272) and message and doorbell registers
  - Supports the I<sub>2</sub>O standard
  - Hot-Swap friendly (supports the Hot Swap Specification as defined by PICMG 2.1 R1.0 August 3, 1998)
  - Support for 66-MHz, 3.3-V specification
  - 60x-PCI bus core logic, which uses a buffer pool to allocate buffers for each port

## 2 Operating Conditions

Table 3 shows the maximum electrical ratings.

**Table 3. Absolute Maximum Ratings**<sup>1</sup>

Rating	Symbol	Value	Unit
Core supply voltage <sup>2</sup>	VDD	-0.3 – 2.25	V
PLL supply voltage <sup>2</sup>	VCCSYN	-0.3 – 2.25	V
I/O supply voltage <sup>3</sup>	VDDH	-0.3 – 4.0	V
Input voltage <sup>4</sup>	VIN	GND(-0.3) – 3.6	V
Junction temperature	T <sub>j</sub>	120	°C
Storage temperature range	T <sub>STG</sub>	(-55) – (+150)	°C

<sup>1</sup> Absolute maximum ratings are stress ratings only; functional operation (see Table 4) at the maximums is not guaranteed. Stress beyond those listed may affect device reliability or cause permanent damage.

<sup>2</sup> **Caution:** VDD/VCCSYN must not exceed VDDH by more than 0.4 V at any time, including during power-on reset.

<sup>3</sup> **Caution:** VDDH can exceed VDD/VCCSYN by 3.3 V during power on reset by no more than 100 mSec. VDDH should not exceed VDD/VCCSYN by more than 2.5 V during normal operation.

<sup>4</sup> **Caution:** VIN must not exceed VDDH by more than 2.5 V at any time, including during power-on reset.

Table 4 lists recommended operational voltage conditions.

**Table 4. Recommended Operating Conditions**<sup>1</sup>

Rating	Symbol	Value	Unit
Core supply voltage	VDD	1.45 – 1.60	V
PLL supply voltage	VCCSYN	1.45 – 1.60	V
I/O supply voltage	VDDH	3.135 – 3.465	V
Input voltage	VIN	GND (-0.3) – 3.465	V
Junction temperature (maximum)	T <sub>j</sub>	105 <sup>2</sup>	°C
Ambient temperature	T <sub>A</sub>	0–70 <sup>2</sup>	°C

<sup>1</sup> **Caution:** These are the recommended and tested operating conditions. Proper operation outside of these conditions is not guaranteed.

<sup>2</sup> Note that for extended temperature parts the range is (-40)<sub>T<sub>A</sub></sub> – 105<sub>T<sub>j</sub></sub>.

### NOTE: Core, PLL, and I/O Supply Voltages

VDDH, VCCSYN, and VDD must track each other and must vary in the same direction—either in the positive direction (+0.165 VDDH and +0.075 VDD) or in the negative direction (-0.165 VDDH and -0.075 VDD).

This device contains circuitry protecting against damage due to high static voltage or electrical fields; however, it is advised that normal precautions be taken to avoid application of any voltages higher than maximum-rated voltages to this high-impedance circuit. Reliability of operation is enhanced if unused inputs are tied to an appropriate logic voltage level (either GND or V<sub>CC</sub>).

## DC Electrical Characteristics

Figure 2 shows the overshoot and undershoot voltage of the 60x bus memory interface of the MPC8272. Note that in PCI mode the I/O interface is different.

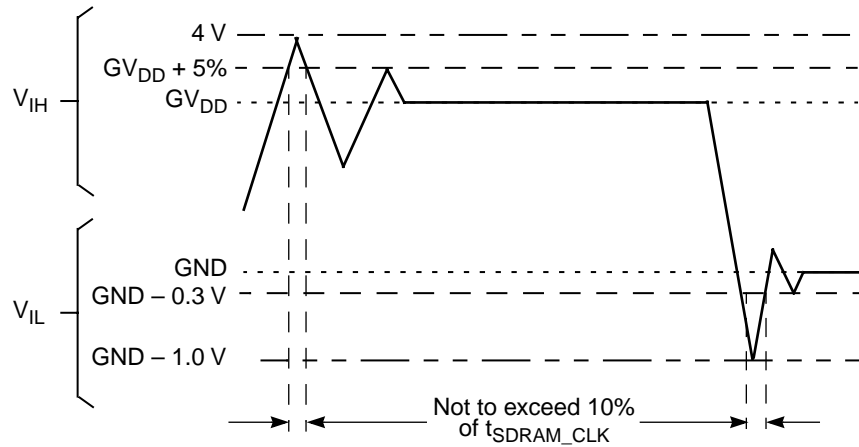


Figure 2. Overshoot/Undershoot Voltage

### 3 DC Electrical Characteristics

Table 5 shows DC electrical characteristics.

Table 5. DC Electrical Characteristics <sup>1</sup>

Characteristic	Symbol	Min	Max	Unit
Input high voltage— all inputs except $\overline{\text{TRST}}$ and $\overline{\text{PORESET}}$ <sup>2</sup>	$V_{IH}$	2.0	3.465	V
Input low voltage	$V_{IL}$	GND	0.8	V
CLKIN input high voltage	$V_{IHC}$	2.4	3.465	V
CLKIN input low voltage	$V_{ILC}$	GND	0.4	V
Input leakage current, $V_{IN} = V_{DDH}$ <sup>3</sup>	$I_{IN}$	—	10	$\mu\text{A}$
Hi-Z (off state) leakage current, $V_{IN} = V_{DDH}$ <sup>3</sup>	$I_{OZ}$	—	10	$\mu\text{A}$
Signal low input current, $V_{IL} = 0.8\text{ V}$	$I_L$	—	1	$\mu\text{A}$
Signal high input current, $V_{IH} = 2.0\text{ V}$	$I_H$	—	1	$\mu\text{A}$
Output high voltage, $I_{OH} = -2\text{ mA}$ except UTOPIA mode, and open drain pins	$V_{OH}$	2.4	—	V
In UTOPIA mode <sup>4</sup> (UTOPIA pins only): $I_{OH} = -8.0\text{ mA}$ PA[8–31] PB[18–31] PC[0–1,4–29] PD[7–25, 29–31]				
In UTOPIA mode <sup>4</sup> (UTOPIA pins only): $I_{OL} = 8.0\text{ mA}$ PA[8–31] PB[18–31] PC[0–1,4–29] PD[7–25, 29–31]	$V_{OL}$	—	0.5	V



Table 5. DC Electrical Characteristics <sup>1</sup> (continued)

Characteristic	Symbol	Min	Max	Unit
$I_{OL} = 6.0\text{mA}$ BR BG/IRQ6 ABB/IRQ2 TS A[0-31] TT[0-4] TBST TSIZE[0-3] AACK ARTRY DBG/IRQ7 DBB/IRQ3 D[0-63] IRQ3/CKSTP_OUT/EXT_BR3 IRQ4/CORE_SRESET/EXT_BG3 IRQ5/TBEN/EXT_DBG3/CINT PSDVAL TA TEA GBL/IRQ1 CI/BADDR29/IRQ2 WT/BADDR30/IRQ3 BADDR31/IRQ5/CINT CPU_BR/INT_OUT IRQ0/NMI_OUT PORESET/PCI_RST HRESET SRESET RSTCONF	V <sub>OL</sub>	—	0.4	V

Table 5. DC Electrical Characteristics <sup>1</sup> (continued)

Characteristic	Symbol	Min	Max	Unit
$I_{OL} = 5.3\text{mA}$ $\overline{CS}[0-5]$ CS6/ $\overline{BCTL1}/\overline{SMI}$ CS7/ $\overline{TLBSYNC}$ BADDR27/ $\overline{IRQ1}$ BADDR28/ $\overline{IRQ2}$ ALE/ $\overline{IRQ4}$ BCTL0 $\overline{PWE}[0-7]/\overline{PSDDQM}[0-7]/\overline{PBS}[0-7]$ PSDA10/ $\overline{PGPL0}$ $\overline{PSDWE}/\overline{PGPL1}$ $\overline{POE}/\overline{PSDRAS}/\overline{PGPL2}$ PSDCAS/ $\overline{PGPL3}$ PGTA/ $\overline{PUPMWAIT}/\overline{PGPL4}$ PSDAMUX/ $\overline{PGPL5}$ PCI_CFG0 ( $\overline{PCI\_HOST\_EN}$ ) PCI_CFG1 ( $\overline{PCI\_ARB\_EN}$ ) PCI_CFG2 (DLL_ENABLE) MODCK1/ $\overline{RSRV}/\overline{TC}(0)/\overline{BNKSEL}(0)$ MODCK2/ $\overline{CSE0}/\overline{TC}(1)/\overline{BNKSEL}(1)$ MODCK3/ $\overline{CSE1}/\overline{TC}(2)/\overline{BNKSEL}(2)$ $I_{OL} = 3.2\text{mA}$ PCI_PAR $\overline{PCI\_FRAME}$ $\overline{PCI\_TRDY}$ $\overline{PCI\_IRDY}$ $\overline{PCI\_STOP}$ $\overline{PCI\_DEVSEL}$ $\overline{PCI\_IDSEL}$ $\overline{PCI\_PERR}$ $\overline{PCI\_SERR}$ $\overline{PCI\_REQ0}$ $\overline{PCI\_REQ1}/\overline{CPI\_HS\_ES}$ $\overline{PCI\_GNT0}$ $\overline{PCI\_GNT1}/\overline{CPI\_HS\_LES}$ $\overline{PCI\_GNT2}/\overline{CPI\_HS\_ENUM}$ $\overline{PCI\_RST}$ $\overline{PCI\_INTA}$ $\overline{PCI\_REQ2}$ DLLOUT $\overline{PCI\_AD}(0-31)$ $\overline{PCI\_C}(0-3)/\overline{BE}(0-3)$ PA[8-31] PB[18-31] PC[0-1,4-29] PD[7-25, 29-31] TDO	V <sub>OL</sub>	—	0.4	V

<sup>1</sup> The default configuration of the CPM pins (PA[8-31], PB[18-31], PC[0-1,4-29], PD[7-25, 29-31]) is input. To prevent excessive DC current, it is recommended either to pull unused pins to GND or VDDH, or to configure them as outputs.

<sup>2</sup>  $\overline{TRST}$  and  $\overline{PORESET}$  should be tied to VDDH via a 2K  $\Omega$  external pull-up resistor.

<sup>3</sup> The leakage current is measured for nominal VDDH, VCCSYN, and VDD.

<sup>4</sup> MPC8272 and MPC8271 only.

## 4 Thermal Characteristics

Table 6 describes thermal characteristics. Refer to Table 2 for information on a given device's package. Discussions of each characteristic are provided in sections 4.1 through 4.7. For these discussions,  $P_D = (V_{DD} \times I_{DD}) + P_{I/O}$ , where  $P_{I/O}$  is the power dissipation of the I/O drivers.

**Table 6. Thermal Characteristics**

Characteristic	Symbol	Value	Unit	Air Flow
Junction-to-ambient— single-layer board <sup>1</sup>	$R_{\theta JA}$	27	°C/W	Natural convection
		21		1 m/s
Junction-to-ambient— four-layer board	$R_{\theta JA}$	19	°C/W	Natural convection
		16		1 m/s
Junction-to-board <sup>2</sup>	$R_{\theta JB}$	11	°C/W	—
Junction-to-case <sup>3</sup>	$R_{\theta JC}$	8	°C/W	—
Junction-to-package top <sup>4</sup>	$R_{\theta JT}$	2	°C/W	—

<sup>1</sup> Assumes no thermal vias

<sup>2</sup> Thermal resistance between the die and the printed circuit board per JEDEC JESD51-8. Board temperature is measured on the top surface of the board near the package.

<sup>3</sup> Thermal resistance between the die and the case top surface as measured by the cold plate method (MIL SPEC-883 Method 1012.1).

<sup>4</sup> Thermal characterization parameter indicating the temperature difference between package top and the junction temperature per JEDEC JESD51-2. When Greek letters are not available, the thermal characterization parameter is written as Psi-JT.

### 4.1 Estimation with Junction-to-Ambient Thermal Resistance

An estimation of the chip junction temperature,  $T_J$ , in °C can be obtained from the equation:

$$T_J = T_A + (R_{\theta JA} \times P_D)$$

where:

$T_A$  = ambient temperature (°C)

$R_{\theta JA}$  = package junction-to-ambient thermal resistance (°C/W)

$P_D$  = power dissipation in package

The junction-to-ambient thermal resistance is an industry standard value which provides a quick and easy estimation of thermal performance. However, the answer is only an estimate; test cases have demonstrated that errors of a factor of two (in the quantity  $T_J - T_A$ ) are possible.

## 4.2 Estimation with Junction-to-Case Thermal Resistance

Historically, the thermal resistance has frequently been expressed as the sum of a junction-to-case thermal resistance and a case-to-ambient thermal resistance:

$$R_{\theta JA} = R_{\theta JC} + R_{\theta CA}$$

where:

$R_{\theta JA}$  = junction-to-ambient thermal resistance (°C/W)

$R_{\theta JC}$  = junction-to-case thermal resistance (°C/W)

$R_{\theta CA}$  = case-to-ambient thermal resistance (°C/W)

$R_{\theta JC}$  is device related and cannot be influenced by the user. The user adjusts the thermal environment to affect the case-to-ambient thermal resistance,  $R_{\theta CA}$ . For instance, the user can change the air flow around the device, add a heat sink, change the mounting arrangement on the printed circuit board, or change the thermal dissipation on the printed circuit board surrounding the device. This thermal model is most useful for ceramic packages with heat sinks where some 90% of the heat flows through the case and the heat sink to the ambient environment. For most packages, a better model is required.

## 4.3 Estimation with Junction-to-Board Thermal Resistance

A simple package thermal model which has demonstrated reasonable accuracy (about 20%) is a two-resistor model consisting of a junction-to-board and a junction-to-case thermal resistance. The junction-to-case thermal resistance covers the situation where a heat sink is used or where a substantial amount of heat is dissipated from the top of the package. The junction-to-board thermal resistance describes the thermal performance when most of the heat is conducted to the printed circuit board. It has been observed that the thermal performance of most plastic packages, especially PBGA packages, is strongly dependent on the board temperature.

If the board temperature is known, an estimate of the junction temperature in the environment can be made using the following equation:

$$T_J = T_B + (R_{\theta JB} \times P_D)$$

where:

$R_{\theta JB}$  = junction-to-board thermal resistance (°C/W)

$T_B$  = board temperature (°C)

$P_D$  = power dissipation in package

If the board temperature is known and the heat loss from the package case to the air can be ignored, acceptable predictions of junction temperature can be made. For this method to work, the board and board mounting must be similar to the test board used to determine the junction-to-board thermal resistance, namely a 2s2p (board with a power and a ground plane) and by attaching the thermal balls to the ground plane.

## 4.4 Estimation Using Simulation

When the board temperature is not known, a thermal simulation of the application is needed. The simple two-resistor model can be used with the thermal simulation of the application, or a more accurate and complex model of the package can be used in the thermal simulation.

## 4.5 Experimental Determination

To determine the junction temperature of the device in the application after prototypes are available, the thermal characterization parameter ( $\Psi_{JT}$ ) can be used to determine the junction temperature with a measurement of the temperature at the top center of the package case using the following equation:

$$T_J = T_T + (\Psi_{JT} \times P_D)$$

where:

$\Psi_{JT}$  = thermal characterization parameter

$T_T$  = thermocouple temperature on top of package

$P_D$  = power dissipation in package

The thermal characterization parameter is measured per JEDEC JESD51-2 specification using a 40 gauge type T thermocouple epoxied to the top center of the package case. The thermocouple should be positioned so that the thermocouple junction rests on the package. A small amount of epoxy is placed over the thermocouple junction and over 1 mm of wire extending from the junction. The thermocouple wire is placed flat against the case to avoid measurement errors caused by cooling effects of the thermocouple wire.

## 4.6 Layout Practices

Each  $V_{CC}$  pin should be provided with a low-impedance path to the board's power supply. Each ground pin should likewise be provided with a low-impedance path to ground. The power supply pins drive distinct groups of logic on chip. The  $V_{CC}$  power supply should be bypassed to ground using at least four 0.1  $\mu$ F bypass capacitors located as close as possible to the four sides of the package. The capacitor leads and associated printed circuit traces connecting to chip  $V_{CC}$  and ground should be kept to less than half an inch per capacitor lead. A four-layer board employing two inner layers as  $V_{CC}$  and GND planes is recommended.

All output pins on the MPC8272 have fast rise and fall times. Printed circuit (PC) trace interconnection length should be minimized in order to minimize overdamped conditions and reflections caused by these fast output switching times. This recommendation particularly applies to the address and data buses. Maximum PC trace lengths of six inches are recommended. Capacitance calculations should consider all device loads as well as parasitic capacitances due to the PC traces. Attention to proper PCB layout and bypassing becomes especially critical in systems with higher capacitive loads because these loads create higher transient currents in the  $V_{CC}$  and GND circuits. Pull up all unused inputs or signals that will be inputs during reset. Special care should be taken to minimize the noise levels on the PLL supply pins.

## 4.7 References

Semiconductor Equipment and Materials International 805 East Middlefield Rd. Mountain View, CA 94043	(415) 964-5111
MIL-SPEC and EIA/JESD (JEDEC) Specifications (Available from Global Engineering Documents)	800-854-7179 or 303-397-7956
JEDEC Specifications	<a href="http://www.jedec.org">http://www.jedec.org</a>

1. C.E. Triplett and B. Joiner, "An Experimental Characterization of a 272 PBGA Within an Automotive Engine Controller Module," Proceedings of SemiTherm, San Diego, 1998, pp. 47–54.
2. B. Joiner and V. Adams, "Measurement and Simulation of Junction to Board Thermal Resistance and Its Application in Thermal Modeling," Proceedings of SemiTherm, San Diego, 1999, pp. 212–220.

## 5 Power Dissipation

Table 7 provides preliminary, estimated power dissipation for various configurations. Note that suitable thermal management is required to ensure the junction temperature does not exceed the maximum specified value. Also note that the I/O power should be included when determining whether to use a heat sink. For a complete list of possible clock configurations, refer to Section 7, “Clock Configuration Modes.”

**Table 7. Estimated Power Dissipation for Various Configurations<sup>1</sup>**

Bus (MHz)	CPM Multiplication Factor	CPM (MHz)	CPU Multiplication Factor	CPU (MHz)	P <sub>INT</sub> (W) <sup>2, 3</sup>	
					V <sub>DDI</sub> 1.5 Volts	
					Nominal	Maximum
66.67	3	200	4	266	0.75	0.8
100	2	200	3	300	0.85	0.9
100	2	200	4	400	1	1.05

<sup>1</sup> Test temperature = 105° C)

<sup>2</sup> P<sub>INT</sub> = I<sub>DD</sub> × V<sub>DD</sub> Watts

<sup>3</sup> Values do not include I/O. Add the following estimates for active I/O based on the following bus speeds:

66.7 MHz = 0.35 W (nominal), 0.4 W (maximum)

83.3 MHz = 0.4 W (nominal), 0.5 W (maximum)

100 MHz = 0.5 W (nominal), 0.6 W (maximum)

## 6 AC Electrical Characteristics

The following sections include illustrations and tables of clock diagrams, signals, and CPM outputs and inputs for 66.67-/83.33-/100-MHz MPC8272 devices. Note that AC timings are based on a 50-pf load. Typical output buffer impedances are shown in Table 8.

**Table 8. Output Buffer Impedances<sup>1</sup>**

Output Buffers	Typical Impedance (Ω)
60x bus	45
Memory controller	45
Parallel I/O	45
PCI	25

<sup>1</sup> These are typical values at 65° C. Impedance may vary by ±25% with process and temperature.

### 6.1 CPM AC Characteristics

Table 9 lists CPM output characteristics.

**Table 9. AC Characteristics for CPM Outputs <sup>1</sup>**

Spec Number		Characteristic	Value (ns)					
Max	Min		Maximum Delay			Minimum Delay		
			66 MHz	83 MHz	100 MHz	66 MHz	83 MHz	100 MHz
sp36a	sp37a	FCC outputs—internal clock (NMSI)	6	5.5	5.5	1	1	1
sp36b	sp37b	FCC outputs—external clock (NMSI)	14	12	12	2	2	2
sp38a	sp39a	SCC/SMC/SPI/I2C outputs—internal clock (NMSI)	19	16	16	1	0.5	0.5
sp38b	sp39b	SCC/SMC/SPI/I2C outputs—external clock (NMSI)	19	16	16	2	2	2
sp40	sp41	TDM outputs/SI	14	12	12	5	3	3
sp42	sp43	TIMER/IDMA outputs	14	11	11	1	0.5	0.5
sp42a	sp43a	PIO outputs	14	11	11	0.5	0.5	0.5

<sup>1</sup> Output specifications are measured from the 50% level of the rising edge of CLKIN to the 50% level of the signal. Timings are measured at the pin.

Table 10 lists CPM input characteristics.

**Table 10. AC Characteristics for CPM Inputs <sup>1</sup>**

Spec Number		Characteristic	Value (ns)					
Setup	Hold		Setup			Hold		
			66 MHz	83 MHz	100 MHz	66 MHz	83 MHz	100 MHz
sp16a	sp17a	FCC inputs—internal clock (NMSI)	10	8	8	0	0	0
sp16b	sp17b	FCC inputs—external clock (NMSI)	3	2.5	2.5	2	2	2
sp18a	sp19a	SCC/SMC/SPI/I2C inputs—internal clock (NMSI)	20	16	16	0	0	0
sp18b	sp19b	SCC/SMC/SPI/I2C inputs—external clock (NMSI)	5	4	4	2	2	2
sp20	sp21	TDM inputs/SI	7	5	5	4	3	3
sp22	sp23	PIO/TIMER/IDMA inputs	10	8	8	0.5	0.5	0.5

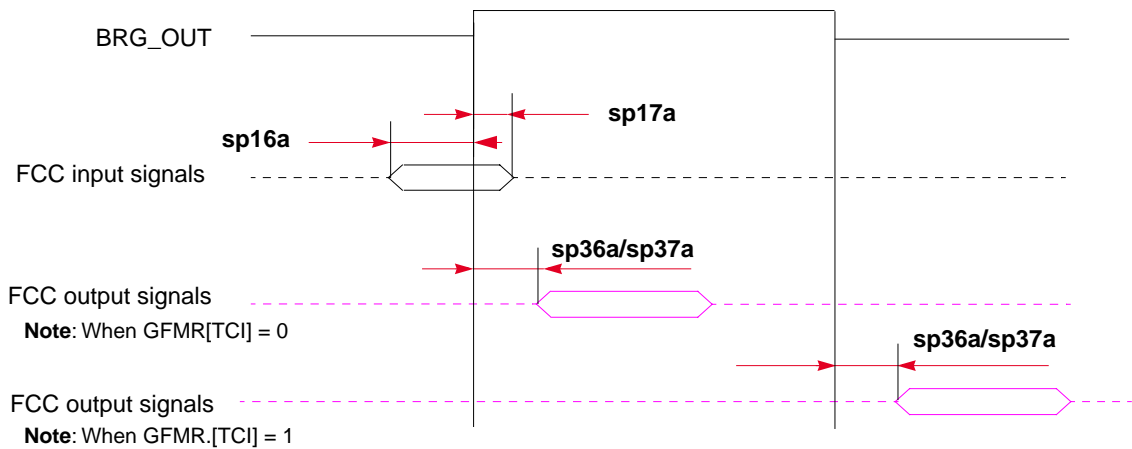
<sup>1</sup> Input specifications are measured from the 50% level of the signal to the 50% level of the rising edge of CLKIN. Timings are measured at the pin.

**NOTE**

Although the specifications generally reference the rising edge of the clock, the following AC timing diagrams also apply when the falling edge is the active edge.

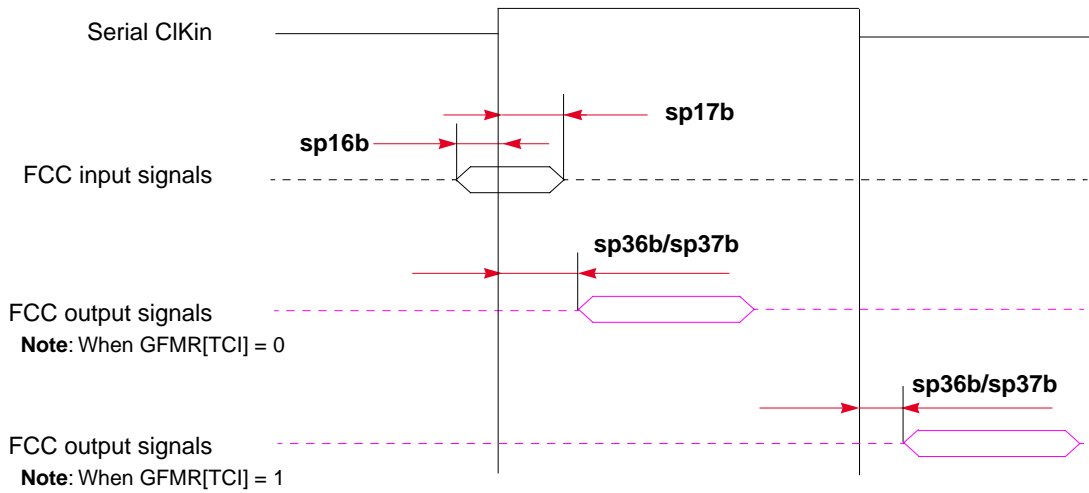
**Freescale Semiconductor, Inc.**  
**AC Electrical Characteristics**

Figure 3 shows the FCC internal clock.



**Figure 3. FCC Internal Clock Diagram**

Figure 4 shows the FCC external clock.



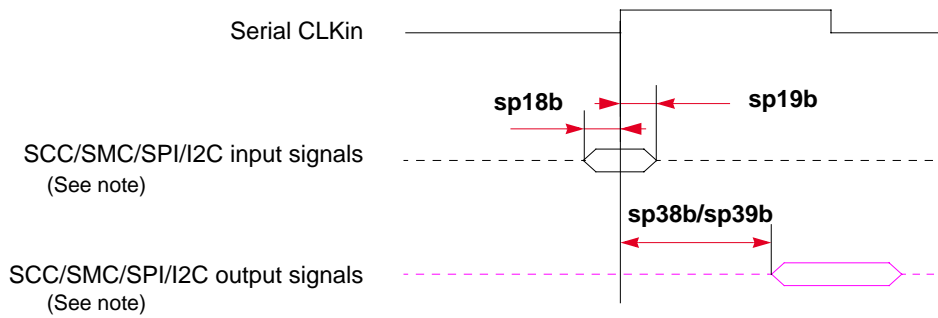
**Figure 4. FCC External Clock Diagram**



# Freescale Semiconductor, Inc.

## AC Electrical Characteristics

Figure 5 shows the SCC/SMC/SPI/I<sup>2</sup>C external clock.

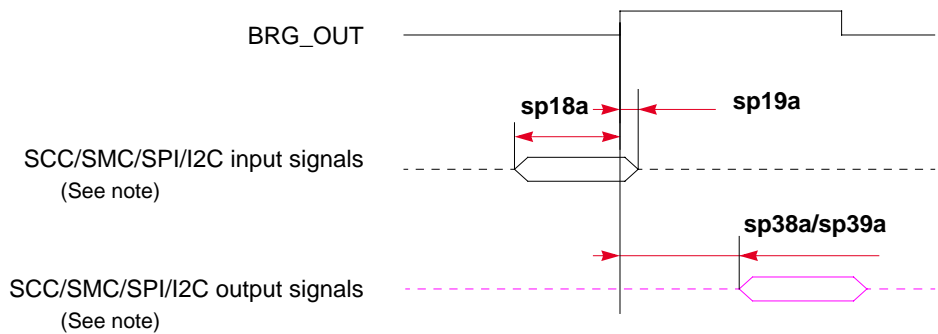


**Note:** There are four possible timing conditions for SCC and SPI:

1. Input sampled on the rising edge and output driven on the rising edge (shown).
2. Input sampled on the rising edge and output driven on the falling edge.
3. Input sampled on the falling edge and output driven on the falling edge.
4. Input sampled on the falling edge and output driven on the rising edge.

**Figure 5. SCC/SMC/SPI/I<sup>2</sup>C External Clock Diagram**

Figure 6 shows the SCC/SMC/SPI/I<sup>2</sup>C internal clock.



**Note:** There are four possible timing conditions for SCC and SPI:

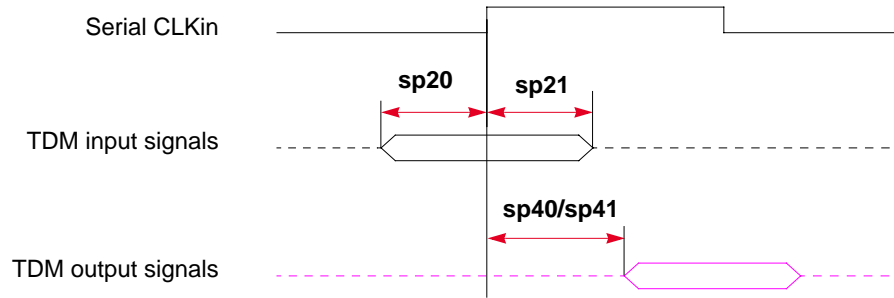
1. Input sampled on the rising edge and output driven on the rising edge (shown).
2. Input sampled on the rising edge and output driven on the falling edge.
3. Input sampled on the falling edge and output driven on the falling edge.
4. Input sampled on the falling edge and output driven on the rising edge.

**Figure 6. SCC/SMC/SPI/I<sup>2</sup>C Internal Clock Diagram**

# Freescale Semiconductor, Inc.

## AC Electrical Characteristics

Figure 7 shows TDM input and output signals.

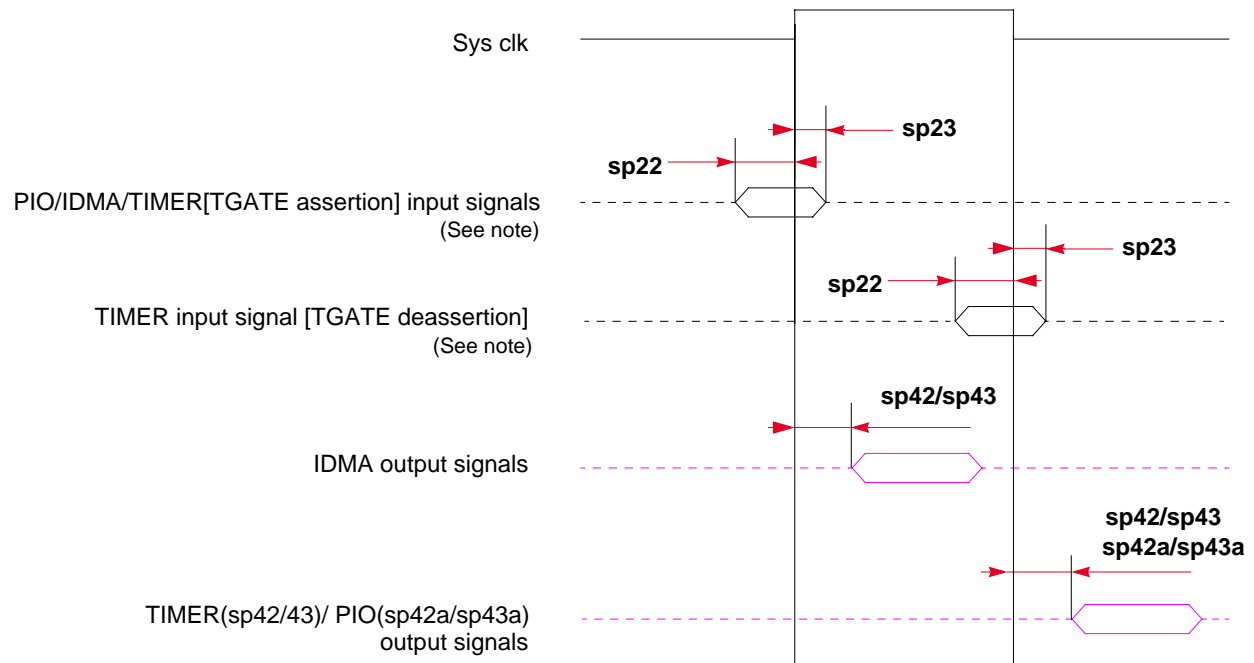


**Note:** There are four possible TDM timing conditions:

1. Input sampled on the rising edge and output driven on the rising edge (shown).
2. Input sampled on the rising edge and output driven on the falling edge.
3. Input sampled on the falling edge and output driven on the falling edge.
4. Input sampled on the falling edge and output driven on the rising edge.

**Figure 7. TDM Signal Diagram**

Figure 8 shows PIO and timer signals.



**Note:** TGATE is asserted on the rising edge of the clock; it is deasserted on the falling edge.

**Figure 8. PIO and Timer Signal Diagram**

## 6.2 SIU AC Characteristics

Table 11 lists SIU input characteristics.

### NOTE: PCI AC Timing

The MPC8272 meets the timing requirements of *PCI Specification Revision 2.2*. Refer to Section 7, “Clock Configuration Modes” and “Note: Tval (Output Hold)” to determine if a specific clock configuration is compliant.

**Table 11. AC Characteristics for SIU Inputs <sup>1</sup>**

Spec Number		Characteristic	Value (ns)					
Setup	Hold		Setup			Hold		
			66 MHz	83 MHz	100 MHz	66 MHz	83 MHz	100 MHz
sp11	sp10	AACK/TA/TS/DBG/BG/BR	6	5	3.5	0.5	0.5	0.5
sp11a	sp10	ARTRY/TEA	6	5	4	0.5	0.5	0.5
sp12	sp10	Data bus in normal mode	5	4	3.5	0.5	0.5	0.5
sp13	sp10	Data bus in pipeline mode	5	4	2.5	0.5	0.5	0.5
sp15	sp10	All other pins	5	4	3.5	0.5	0.5	0.5

<sup>1</sup> Input specifications are measured from the 50% level of the signal to the 50% level of the rising edge of CLKIN. Timings are measured at the pin.

Table 12 lists SIU output characteristics.

**Table 12. AC Characteristics for SIU Outputs <sup>1</sup>**

Spec Number		Characteristic	Value (ns)					
Max	Min		Maximum Delay			Minimum Delay		
			66 MHz	83 MHz	100 MHz	66 MHz	83 MHz	100 MHz
sp31	sp30	PSDVAL/TEA/TA	7	6	5.5	1	1	1
sp32	sp30	ADD/ADD_atr./BADDR/CI/GBL/WT	8	6.5	5.5	1	1	1
sp33	sp30	Data bus <sup>2</sup>	6.5	6.5	5.5	0.5	0.5	0.5
sp34	sp30	Memory controller signals/ALE	6	5.5	5.5	1	1	1
sp35	sp30	All other signals	6	5.5	5.5	1	1	1

<sup>1</sup> Output specifications are measured from the 50% level of the rising edge of CLKIN to the 50% level of the signal. Timings are measured at the pin.

<sup>2</sup> To achieve 1 ns of hold time at 66.67/83.33/100 MHz, a minimum loading of 20 pF is required.

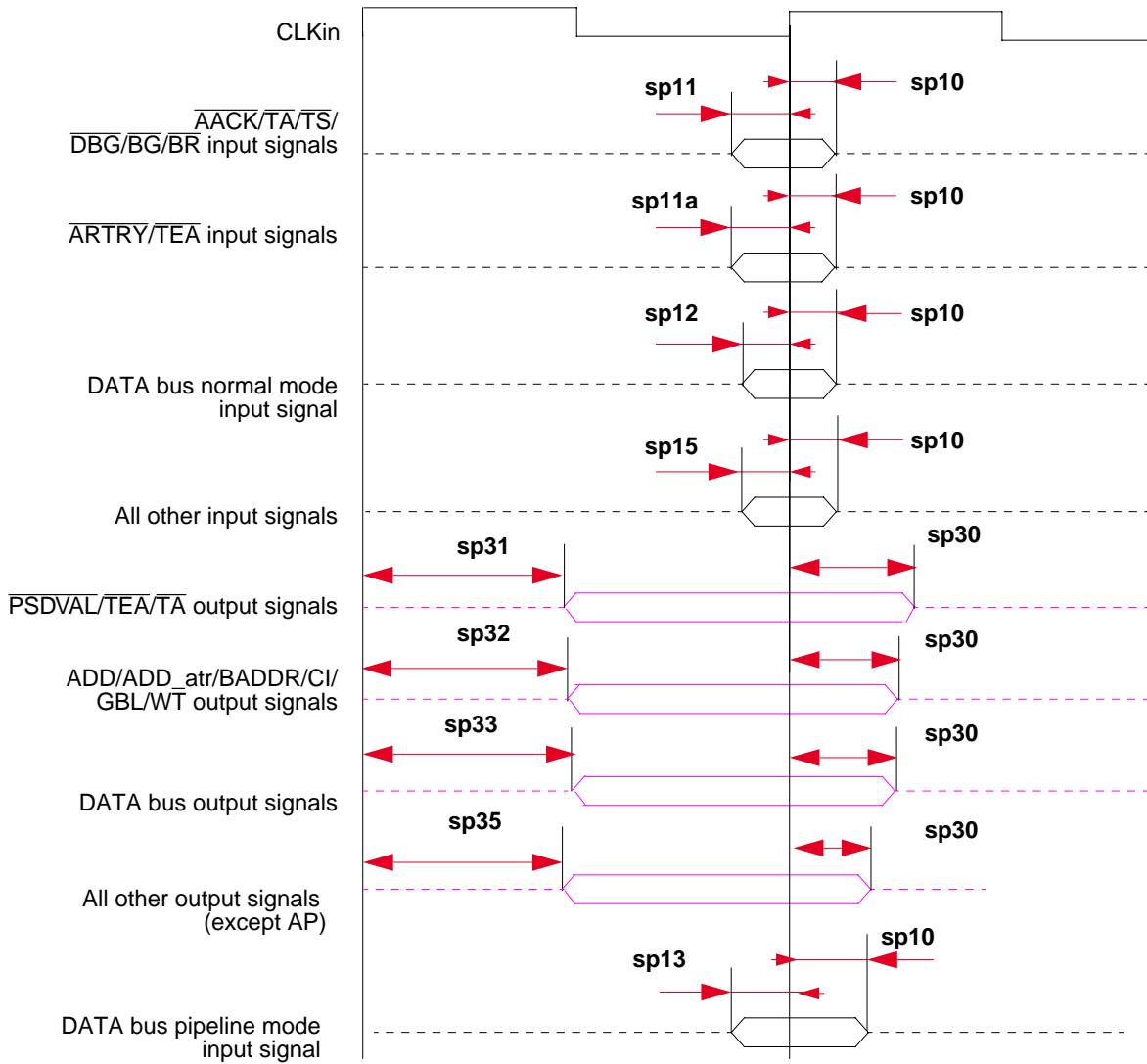
### NOTE

Activating data pipelining (setting BRx[DR] in the memory controller) improves the AC timing.

Figure 9 shows the interaction of several bus signals.

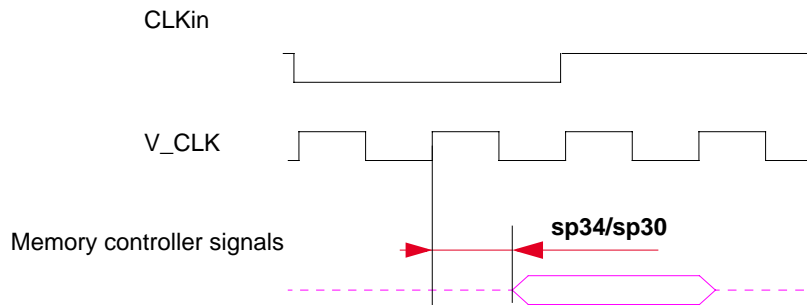
# Freescale Semiconductor, Inc.

## AC Electrical Characteristics



**Figure 9. Bus Signals**

Figure 10 shows signal behavior in MEMC mode.



**Figure 10. MEMC Mode Diagram**

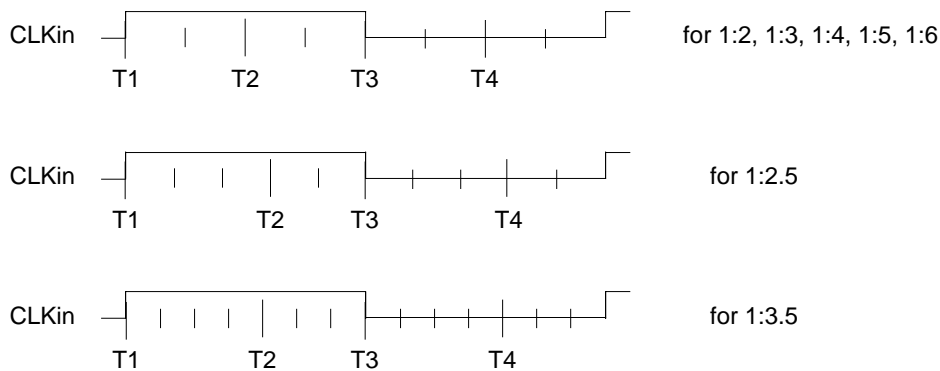
**NOTE**

Generally, all MPC8272 bus and system output signals are driven from the rising edge of the input clock (CLKin). Memory controller signals, however, trigger on four points within a CLKin cycle. Each cycle is divided by four internal ticks: T1, T2, T3, and T4. T1 always occurs at the rising edge, and T3 at the falling edge, of CLKin. However, the spacing of T2 and T4 depends on the PLL clock ratio selected, as shown in Table 13.

**Table 13. Tick Spacing for Memory Controller Signals**

PLL Clock Ratio	Tick Spacing (T1 Occurs at the Rising Edge of CLKin)		
	T2	T3	T4
1:2, 1:3, 1:4, 1:5, 1:6	1/4 CLKin	1/2 CLKin	3/4 CLKin
1:2.5	3/10 CLKin	1/2 CLKin	8/10 CLKin
1:3.5	4/14 CLKin	1/2 CLKin	11/14 CLKin

Figure 11 is a representation of the information in Table 13.



**Figure 11. Internal Tick Spacing for Memory Controller Signals**

**NOTE**

The UPM machine outputs change on the internal tick determined by the memory controller programming; the AC specifications are relative to the internal tick. Note that SDRAM and GPCM machine outputs change on CLKin's rising edge.

## 7 Clock Configuration Modes

As shown in Table 14, the clocking mode is set according to two sources:

- PCI\_CFG[0]— An input signal. Also defined as “PCI\_HOST\_EN.” Refer to the Chapter 6, “External Signals,” and Chapter 9, “PCI Bridge,” in the *MPC8272 PowerQUICC II™ Family Reference Manual*.
- PCI\_MODCK—Bit 27 in the Hard Reset Configuration Word. Refer to Chapter 5, “Reset,” in the *MPC8272 PowerQUICC II™ Family Reference Manual*.

**Table 14. MPC8272 Clocking Modes**

Pins		Clocking Mode	PCI Clock Frequency Range (MHZ)	Reference
PCI_CFG[0] <sup>1</sup>	PCI_MODCK <sup>2</sup>			
0	0	PCI host	50–66	Table 15
0	1		25–50	Table 16
1	0	PCI agent	50–66	Table 17
1	1		25–50	Table 18

<sup>1</sup> PCI\_HOST\_EN

<sup>2</sup> Determines PCI clock frequency range.

Within each mode, the configuration of bus, core, PCI, and CPM frequencies is determined by seven bits during the power-on reset—three hardware configuration pins (MODCK[1–3]) and four bits from hardware configuration word[28–31] (MODCK\_H). Both the PLLs and the dividers are set according to the selected clock operation mode as described in the following sections.

### NOTE

Clock configurations change only after  $\overline{\text{PORESET}}$  is asserted.

### NOTE: Tval (Output Hold)

The minimum Tval = 2 when PCI\_MODCK = 1, and the minimum Tval = 1 when PCI\_MODCK = 0. Therefore, designers should use clock configurations that fit this condition to achieve PCI-compliant AC timing.

## 7.1 PCI Host Mode

Table 15 and Table 16 show configurations for PCI host mode. The frequency values listed are for the purpose of illustration only. Users must select a mode and input bus frequency so that the resulting configuration does not exceed the frequency rating of the user’s device. Note that in PCI host mode the input clock is the bus clock.

# Freescale Semiconductor, Inc.

## Clock Configuration Modes

Table 15. Clock Configurations for PCI Host Mode (PCI\_MODCK=0)<sup>1, 2</sup>

Mode <sup>3</sup>	Bus Clock (MHz)		CPM Multiplication Factor <sup>4</sup>	CPM Clock (MHz)		CPU Multiplication Factor <sup>5</sup>	CPU Clock (MHz)		PCI Division Factor	PCI Clock (MHz)	
	Low	High		Low	High		Low	High		Low	High
MODCK_H-MODCK[1-3]											
<b>Default Modes (MODCK_H=0000)</b>											
0000_000	50.0	66.7	2	100.0	133.3	2.5	125.0	166.7	2	50.0	66.7
0000_001	50.0	66.7	2	100.0	133.3	3	150.0	200.0	2	50.0	66.7
0000_010	60.0	80.0	2.5	150.0	200.0	3	180.0	240.0	3	50.0	66.7
0000_011	71.4	80.0	2.5	178.6	200.0	3.5	250.0	280.0	3	59.5	66.7
0000_100	62.5	80.0	2.5	156.3	200.0	4	250.0	320.0	3	52.1	66.7
0000_101	50.0	66.7	3	150.0	200.0	3	150.0	200.0	3	50.0	66.7
0000_110	PCI host mode (PCI_MODCK=1) only (refer to Table 16)										
0000_111	62.5	66.7	3	187.5	200.0	4	250.0	266.6	3	62.5	66.7
<b>Full Configuration Modes</b>											
0001_000	50.0	66.7	3	150.0	200.0	5	250.0	333.3	3	50.0	66.7
0001_001	50.0	66.7	3	150.0	200.0	6	300.0	400.0	3	50.0	66.7
0001_010	50.0	66.7	3	150.0	200.0	7	350.0	466.6	3	50.0	66.7
0001_011	50.0	66.7	3	150.0	200.0	8	400.0	533.3	3	50.0	66.7
<b>Reserved</b>											
0010_000	50.0	66.7	4	200.0	266.6	5	250.0	333.3	4	50.0	66.7
0010_001	50.0	66.7	4	200.0	266.6	6	300.0	400.0	4	50.0	66.7
0010_010	50.0	66.7	4	200.0	266.6	7	350.0	466.6	4	50.0	66.7
0010_011	50.0	66.7	4	200.0	266.6	8	400.0	533.3	4	50.0	66.7
<b>Reserved</b>											
0010_100	75.0	100.0	4	300.0	400.0	5	375.0	500.0	6	50.0	66.7
0010_101	75.0	100.0	4	300.0	400.0	5.5	412.5	549.9	6	50.0	66.7
0010_110	75.0	100.0	4	300.0	400.0	6	450.0	599.9	6	50.0	66.7
<b>Reserved</b>											
0011_000	50.0	66.7	5	250.0	333.3	5	250.0	333.3	5	50.0	66.7
0011_001	50.0	66.7	5	250.0	333.3	6	300.0	400.0	5	50.0	66.7
0011_010	50.0	66.7	5	250.0	333.3	7	350.0	466.6	5	50.0	66.7
0011_011	50.0	66.7	5	250.0	333.3	8	400.0	533.3	5	50.0	66.7
<b>Reserved</b>											
0100_000	Reserved										
0100_001	50.0	66.7	6	300.0	400.0	6	300.0	400.0	6	50.0	66.7

# Freescale Semiconductor, Inc.

## Clock Configuration Modes

Table 15. Clock Configurations for PCI Host Mode (PCI\_MODCK=0) <sup>1,2</sup> (continued)

Mode <sup>3</sup>	Bus Clock (MHz)		CPM Multiplication Factor <sup>4</sup>	CPM Clock (MHz)		CPU Multiplication Factor <sup>5</sup>	CPU Clock (MHz)		PCI Division Factor	PCI Clock (MHz)	
	Low	High		Low	High		Low	High		Low	High
MODCK_H-MODCK[1-3]											
0100_010	50.0	66.7	6	300.0	400.0	7	350.0	466.6	6	50.0	66.7
0100_011	50.0	66.7	6	300.0	400.0	8	400.0	533.3	6	50.0	66.7
0101_000	50.0	66.7	2	100.0	133.3	2.5	125.0	166.7	2	50.0	66.7
0101_001	50.0	66.7	2	100.0	133.3	3	150.0	200.0	2	50.0	66.7
0101_010	PCI host mode (PCI_MODCK=1) only (refer to Table 16)										
0101_011	62.5	66.7	2	125.0	133.3	4	250.0	266.6	2	62.5	66.7
0101_100	55.6	66.7	2	111.1	133.3	4.5	250.0	300.0	2	55.6	66.7
0101_101	83.3	111.1	3	250.0	333.3	3.5	291.7	388.9	5	50.0	66.7
0101_110	83.3	111.1	3	250.0	333.3	4	333.3	444.4	5	50.0	66.7
0101_111	83.3	111.1	3	250.0	333.3	4.5	375.0	500.0	5	50.0	66.7
0110_000	60.0	80.0	2.5	150.0	200.0	2.5	150.0	200.0	3	50.0	66.7
0110_001	60.0	80.0	2.5	150.0	200.0	3	180.0	240.0	3	50.0	66.7
0110_010	71.4	80.0	2.5	178.6	200.0	3.5	250.0	280.0	3	59.5	66.7
0110_011	62.5	80.0	2.5	156.3	200.0	4	250.0	320.0	3	52.1	66.7
0110_100	60.0	80.0	2.5	150.0	200.0	4.5	270.0	360.0	3	50.0	66.7
0110_101	60.0	80.0	2.5	150.0	200.0	5	300.0	400.0	3	50.0	66.7
0110_110	60.0	80.0	2.5	150.0	200.0	6	360.0	480.0	3	50.0	66.7
0111_000	Reserved										
0111_001	50.0	66.7	3	150.0	200.0	3	150.0	200.0	3	50.0	66.7
0111_010	PCI host mode (PCI_MODCK=1) only (refer to Table 16)										
0111_011	62.5	66.7	3	187.5	200.0	4	250.0	266.6	3	62.5	66.7
0111_100	55.6	66.7	3	166.7	200.0	4.5	250.0	300.0	3	55.6	66.7
1000_000	Reserved										
1000_001	66.7	88.9	3	200.0	266.6	3	200.0	266.6	4	50.0	66.7
1000_010	71.4	88.9	3	214.3	266.6	3.5	250.0	311.1	4	53.6	66.7
1000_011	66.7	88.9	3	200.0	266.6	4	266.7	355.5	4	50.0	66.7



# Freescale Semiconductor, Inc.

## Clock Configuration Modes

Table 15. Clock Configurations for PCI Host Mode (PCI\_MODCK=0) <sup>1,2</sup> (continued)

Mode <sup>3</sup>	Bus Clock (MHz)		CPM Multiplication Factor <sup>4</sup>	CPM Clock (MHz)		CPU Multiplication Factor <sup>5</sup>	CPU Clock (MHz)		PCI Division Factor	PCI Clock (MHz)	
	Low	High		Low	High		Low	High		Low	High
1000_100	66.7	88.9	3	200.0	266.6	4.5	300.0	400.0	4	50.0	66.7
1000_101	66.7	88.9	3	200.0	266.6	6	400.0	533.3	4	50.0	66.7
1000_110	66.7	88.9	3	200.0	266.6	6.5	433.3	577.7	4	50.0	66.7
1001_000	57.1	76.2	3.5	200.0	266.6	2.5	142.9	190.5	4	50.0	66.7
1001_001	57.1	76.2	3.5	200.0	266.6	3	171.4	228.5	4	50.0	66.7
1001_010	71.4	76.2	3.5	250.0	266.6	3.5	250.0	266.6	4	62.5	66.7
1001_011	62.5	76.2	3.5	218.8	266.6	4	250.0	304.7	4	54.7	66.7
1001_100	57.1	76.2	3.5	200.0	266.6	4.5	257.1	342.8	4	50.0	66.7
1001_101	85.7	114.3	3.5	300.0	400.0	5	428.6	571.4	6	50.0	66.7
1001_110	85.7	114.3	3.5	300.0	400.0	5.5	471.4	628.5	6	50.0	66.7
1001_111	85.7	114.3	3.5	300.0	400.0	6	514.3	685.6	6	50.0	66.7
1010_000	75.0	100.0	2	150.0	200.0	2	150.0	200.0	3	50.0	66.7
1010_001	75.0	100.0	2	150.0	200.0	2.5	187.5	250.0	3	50.0	66.7
1010_010	75.0	100.0	2	150.0	200.0	3	225.0	300.0	3	50.0	66.7
1010_011	75.0	100.0	2	150.0	200.0	3.5	262.5	350.0	3	50.0	66.7
1010_100	75.0	100.0	2	150.0	200.0	4	300.0	400.0	3	50.0	66.7
1010_101	100.0	133.3	2	200.0	266.6	2.5	250.0	333.3	4	50.0	66.7
1010_110	100.0	133.3	2	200.0	266.6	3	300.0	400.0	4	50.0	66.7
1010_111	100.0	133.3	2	200.0	266.6	3.5	350.0	466.6	4	50.0	66.7
1011_000	Reserved										
1011_001	80.0	106.7	2.5	200.0	266.6	2.5	200.0	266.6	4	50.0	66.7
1011_010	80.0	106.7	2.5	200.0	266.6	3	240.0	320.0	4	50.0	66.7
1011_011	80.0	106.7	2.5	200.0	266.6	3.5	280.0	373.3	4	50.0	66.7
1011_100	80.0	106.7	2.5	200.0	266.6	4	320.0	426.6	4	50.0	66.7
1011_101	80.0	106.7	2.5	200.0	266.6	4.5	360.0	480.0	4	50.0	66.7

**Table 15. Clock Configurations for PCI Host Mode (PCI\_MODCK=0) <sup>1,2</sup> (continued)**

Mode <sup>3</sup>	Bus Clock (MHz)		CPM Multiplication Factor <sup>4</sup>	CPM Clock (MHz)		CPU Multiplication Factor <sup>5</sup>	CPU Clock (MHz)		PCI Division Factor	PCI Clock (MHz)	
	Low	High		Low	High		Low	High		Low	High
1101_000	100.0	133.3	2.5	250.0	333.3	3	300.0	400.0	5	50.0	66.7
1101_001	100.0	133.3	2.5	250.0	333.3	3.5	350.0	466.6	5	50.0	66.7
1101_010	100.0	133.3	2.5	250.0	333.3	4	400.0	533.3	5	50.0	66.7
1101_011	100.0	133.3	2.5	250.0	333.3	4.5	450.0	599.9	5	50.0	66.7
1101_100	100.0	133.3	2.5	250.0	333.3	5	500.0	666.6	5	50.0	66.7
1101_101	125.0	166.7	2	250.0	333.3	3	375.0	500.0	5	50.0	66.7
1101_110	125.0	166.7	2	250.0	333.3	4	500.0	666.6	5	50.0	66.7
1110_000	100.0	133.3	3	300.0	400.0	3.5	350.0	466.6	6	50.0	66.7
1110_001	100.0	133.3	3	300.0	400.0	4	400.0	533.3	6	50.0	66.7
1110_010	100.0	133.3	3	300.0	400.0	4.5	450.0	599.9	6	50.0	66.7
1110_011	100.0	133.3	3	300.0	400.0	5	500.0	666.6	6	50.0	66.7
1110_100	100.0	133.3	3	300.0	400.0	5.5	550.0	733.3	6	50.0	66.7
1100_000	Reserved										
1100_001	Reserved										
1100_010	Reserved										

<sup>1</sup> The “low” values are the minimum allowable frequencies for a given clock mode. The minimum bus frequency guarantees the required minimum CPU operating frequency. Minimum CPU frequency is determined by the clock mode. For modes with a CPU multiplication factor ≤ 3, the minimum CPU frequency is 125 MHz or 150 MHz, as shown in the table. For modes with a CPU multiplication factor ≥ 3.5, the minimum CPU frequency is 250 MHz. The “high” values are for the purpose of illustration only. Users must select a mode and input bus frequency so that the resulting configuration does not exceed the frequency rating of the user’s device.

<sup>2</sup> PCI\_MODCK determines the PCI clock frequency range. Refer to Table 16 for lower range configurations.

<sup>3</sup> MODCK\_H = hard reset configuration word [28–31] (refer to Section 5.4 in the *MPC8260 User’s Manual*). MODCK[1-3] = three hardware configuration pins.

<sup>4</sup> CPM multiplication factor = CPM clock/bus clock

<sup>5</sup> CPU multiplication factor = Core PLL multiplication factor

# Freescale Semiconductor, Inc.

## Clock Configuration Modes

Table 16. Clock Configurations for PCI Host Mode (PCI\_MODCK=1)<sup>1, 2</sup>

Mode <sup>3</sup>	Bus Clock (MHz)		CPM Multiplication Factor <sup>4</sup>	CPM Clock (MHz)		CPU Multiplication Factor <sup>5</sup>	CPU Clock (MHz)		PCI Division Factor	PCI Clock (MHz)	
	Low	High		Low	High		Low	High		Low	High
MODCK_H-MODCK[1-3]											
<b>Default Modes (MODCK_H=0000)</b>											
0000_000	50.0	100.0	2	100.0	200.0	2.5	125.0	250.0	4	25.0	50.0
0000_001	50.0	100.0	2	100.0	200.0	3	150.0	300.0	4	25.0	50.0
0000_010	60.0	120.0	2.5	150.0	300.0	3	180.0	360.0	6	25.0	50.0
0000_011	71.4	120.0	2.5	178.6	300.0	3.5	250.0	420.0	6	29.8	50.0
0000_100	62.5	120.0	2.5	156.3	300.0	4	250.0	480.0	6	26.0	50.0
0000_101	50.0	100.0	3	150.0	300.0	3	150.0	300.0	6	25.0	50.0
0000_110	71.4	100.0	3	214.3	300.0	3.5	250.0	350.0	6	35.7	50.0
0000_111	62.5	100.0	3	187.5	300.0	4	250.0	400.0	6	31.3	50.0
<b>Full Configuration Modes</b>											
0001_000	50.0	100.0	3	150.0	300.0	5	250.0	500.0	6	25.0	50.0
0001_001	50.0	100.0	3	150.0	300.0	6	300.0	600.0	6	25.0	50.0
0001_010	50.0	100.0	3	150.0	300.0	7	350.0	700.0	6	25.0	50.0
0001_011	50.0	100.0	3	150.0	300.0	8	400.0	800.0	6	25.0	50.0
<b>Full Configuration Modes</b>											
0010_000	50.0	100.0	4	200.0	400.0	5	250.0	500.0	8	25.0	50.0
0010_001	50.0	100.0	4	200.0	400.0	6	300.0	600.0	8	25.0	50.0
0010_010	50.0	100.0	4	200.0	400.0	7	350.0	700.0	8	25.0	50.0
0010_011	50.0	100.0	4	200.0	400.0	8	400.0	800.0	8	25.0	50.0
<b>Full Configuration Modes</b>											
0010_100	50.0	75.0	4	200.0	300.0	5	250.0	375.0	6	33.3	50.0
0010_101	45.5	75.0	4	181.8	300.0	5.5	250.0	412.5	6	30.3	50.0
0010_110	41.7	75.0	4	166.7	300.0	6	250.0	450.0	6	27.8	50.0
<b>Full Configuration Modes</b>											
0011_000	50.0	50.0	5	250.0	250.0	5	250.0	250.0	5	50.0	50.0
0011_001	41.7	50.0	5	208.3	250.0	6	250.0	300.0	5	41.7	50.0
0011_010	35.7	50.0	5	178.6	250.0	7	250.0	350.0	5	35.7	50.0
0011_011	31.3	50.0	5	156.3	250.0	8	250.0	400.0	5	31.3	50.0
<b>Full Configuration Modes</b>											
0100_000	Reserved										
0100_001	41.7	50.0	6	250.0	300.0	6	250.0	300.0	6	41.7	50.0

# Freescale Semiconductor, Inc.

## Clock Configuration Modes

Table 16. Clock Configurations for PCI Host Mode (PCI\_MODCK=1) <sup>1,2</sup> (continued)

Mode <sup>3</sup>	Bus Clock (MHz)		CPM Multiplication Factor <sup>4</sup>	CPM Clock (MHz)		CPU Multiplication Factor <sup>5</sup>	CPU Clock (MHz)		PCI Division Factor	PCI Clock (MHz)		
	MODCK_H-MODCK[1-3]	Low		High	Low		High	Low		High	Low	High
0100_010		35.7	50.0	6	214.3	300.0	7	250.0	350.0	6	35.7	50.0
0100_011		31.3	50.0	6	187.5	300.0	8	250.0	400.0	6	31.3	50.0
0101_000		50.0	100.0	2	100.0	200.0	2.5	125.0	250.0	4	25.0	50.0
0101_001		50.0	100.0	2	100.0	200.0	3	150.0	300.0	4	25.0	50.0
0101_010		71.4	100.0	2	142.9	200.0	3.5	250.0	350.0	4	35.7	50.0
0101_011		62.5	100.0	2	125.0	200.0	4	250.0	400.0	4	31.3	50.0
0101_100		55.6	100.0	2	111.1	200.0	4.5	250.0	450.0	4	27.8	50.0
0101_101		71.4	83.3	3	214.3	250.0	3.5	250.0	291.7	5	42.9	50.0
0101_110		62.5	83.3	3	187.5	250.0	4	250.0	333.3	5	37.5	50.0
0101_111		55.6	83.3	3	166.7	250.0	4.5	250.0	375.0	5	33.3	50.0
0110_000		60.0	120.0	2.5	150.0	300.0	2.5	150.0	300.0	6	25.0	50.0
0110_001		60.0	120.0	2.5	150.0	300.0	3	180.0	360.0	6	25.0	50.0
0110_010		71.4	120.0	2.5	178.6	300.0	3.5	250.0	420.0	6	29.8	50.0
0110_011		62.5	120.0	2.5	156.3	300.0	4	250.0	480.0	6	26.0	50.0
0110_100		60.0	120.0	2.5	150.0	300.0	4.5	270.0	540.0	6	25.0	50.0
0110_101		60.0	120.0	2.5	150.0	300.0	5	300.0	600.0	6	25.0	50.0
0110_110		60.0	120.0	2.5	150.0	300.0	6	360.0	720.0	6	25.0	50.0
0111_000	Reserved											
0111_001		50.0	100.0	3	150.0	300.0	3	150.0	300.0	6	25.0	50.0
0111_010		71.4	100.0	3	214.3	300.0	3.5	250.0	350.0	6	35.7	50.0
0111_011		62.5	100.0	3	187.5	300.0	4	250.0	400.0	6	31.3	50.0
0111_100		55.6	100.0	3	166.7	300.0	4.5	250.0	450.0	6	27.8	50.0
1000_000	Reserved											
1000_001		66.7	133.3	3	200.0	400.0	3	200.0	400.0	8	25.0	50.0
1000_010		71.4	133.3	3	214.3	400.0	3.5	250.0	466.7	8	26.8	50.0
1000_011		66.7	133.3	3	200.0	400.0	4	266.7	533.3	8	25.0	50.0

# Freescale Semiconductor, Inc.

## Clock Configuration Modes

Table 16. Clock Configurations for PCI Host Mode (PCI\_MODCK=1) <sup>1,2</sup> (continued)

Mode <sup>3</sup>	Bus Clock (MHz)		CPM Multiplication Factor <sup>4</sup>	CPM Clock (MHz)		CPU Multiplication Factor <sup>5</sup>	CPU Clock (MHz)		PCI Division Factor	PCI Clock (MHz)	
	Low	High		Low	High		Low	High		Low	High
1000_100	66.7	133.3	3	200.0	400.0	4.5	300.0	600.0	8	25.0	50.0
1000_101	66.7	133.3	3	200.0	400.0	6	400.0	800.0	8	25.0	50.0
1000_110	66.7	133.3	3	200.0	400.0	6.5	433.3	866.7	8	25.0	50.0
1001_000	Reserved										
1001_001	Reserved										
1001_010	71.4	114.3	3.5	250.0	400.0	3.5	250.0	400.0	8	31.3	50.0
1001_011	62.5	114.3	3.5	218.8	400.0	4	250.0	457.1	8	27.3	50.0
1001_100	57.1	114.3	3.5	200.0	400.0	4.5	257.1	514.3	8	25.0	50.0
1001_101	50.0	85.7	3.5	175.0	300.0	5	250.0	428.6	6	29.2	50.0
1001_110	45.5	85.7	3.5	159.1	300.0	5.5	250.0	471.4	6	26.5	50.0
1001_111	42.9	85.7	3.5	150.0	300.0	6	257.1	514.3	6	25.0	50.0
1010_000	75.0	150.0	2	150.0	300.0	2	150.0	300.0	6	25.0	50.0
1010_001	75.0	150.0	2	150.0	300.0	2.5	187.5	375.0	6	25.0	50.0
1010_010	75.0	150.0	2	150.0	300.0	3	225.0	450.0	6	25.0	50.0
1010_011	75.0	150.0	2	150.0	300.0	3.5	262.5	525.0	6	25.0	50.0
1010_100	75.0	150.0	2	150.0	300.0	4	300.0	600.0	6	25.0	50.0
1010_101	100.0	200.0	2	200.0	400.0	2.5	250.0	500.0	8	25.0	50.0
1010_110	100.0	200.0	2	200.0	400.0	3	300.0	600.0	8	25.0	50.0
1010_111	100.0	200.0	2	200.0	400.0	3.5	350.0	700.0	8	25.0	50.0
1011_000	Reserved										
1011_001	80.0	160.0	2.5	200.0	400.0	2.5	200.0	400.0	8	25.0	50.0
1011_010	80.0	160.0	2.5	200.0	400.0	3	240.0	480.0	8	25.0	50.0
1011_011	80.0	160.0	2.5	200.0	400.0	3.5	280.0	560.0	8	25.0	50.0
1011_100	80.0	160.0	2.5	200.0	400.0	4	320.0	640.0	8	25.0	50.0
1011_101	80.0	160.0	2.5	200.0	400.0	4.5	360.0	720.0	8	25.0	50.0
1101_000	50.0	100.0	2.5	125.0	250.0	3	150.0	300.0	5	25.0	50.0

**Table 16. Clock Configurations for PCI Host Mode (PCI\_MODCK=1) <sup>1,2</sup> (continued)**

Mode <sup>3</sup>	Bus Clock (MHz)		CPM Multiplication Factor <sup>4</sup>	CPM Clock (MHz)		CPU Multiplication Factor <sup>5</sup>	CPU Clock (MHz)		PCI Division Factor	PCI Clock (MHz)	
	Low	High		Low	High		Low	High		Low	High
1101_001	71.4	100.0	2.5	178.6	250.0	3.5	250.0	350.0	5	35.7	50.0
1101_010	62.5	100.0	2.5	156.3	250.0	4	250.0	400.0	5	31.3	50.0
1101_011	55.6	100.0	2.5	138.9	250.0	4.5	250.0	450.0	5	27.8	50.0
1101_100	50.0	100.0	2.5	125.0	250.0	5	250.0	500.0	5	25.0	50.0
1101_101	62.5	125.0	2	125.0	250.0	3	187.5	375.0	5	25.0	50.0
1101_110	62.5	125.0	2	125.0	250.0	4	250.0	500.0	5	25.0	50.0
1110_000	71.4	100.0	3	214.3	300.0	3.5	250.0	350.0	6	35.7	50.0
1110_001	62.5	100.0	3	187.5	300.0	4	250.0	400.0	6	31.3	50.0
1110_010	55.6	100.0	3	166.7	300.0	4.5	250.0	450.0	6	27.8	50.0
1110_011	50.0	100.0	3	150.0	300.0	5	250.0	500.0	6	25.0	50.0
1110_100	50.0	100.0	3	150.0	300.0	5.5	275.0	550.0	6	25.0	50.0
1100_000	Reserved										
1100_001	Reserved										
1100_010	Reserved										

<sup>1</sup> The “low” values are the minimum allowable frequencies for a given clock mode. The minimum bus frequency guarantees the required minimum CPU operating frequency. Minimum CPU frequency is determined by the clock mode. For modes with a CPU multiplication factor ≤ 3, the minimum CPU frequency is 125 MHz or 150 MHz, as shown in the table. For modes with a CPU multiplication factor ≥ 3.5, the minimum CPU frequency is 250 MHz. The “high” values are for the purpose of illustration only. Users must select a mode and input bus frequency so that the resulting configuration does not exceed the frequency rating of the user’s device.

<sup>2</sup> PCI\_MODCK determines the PCI clock frequency range. Refer to Table 15 for higher range configurations.

<sup>3</sup> MODCK\_H = hard reset configuration word [28–31] (refer to Section 5.4 in the *MPC8260 User’s Manual*). MODCK[1-3] = three hardware configuration pins.

<sup>4</sup> CPM multiplication factor = CPM clock/bus clock

<sup>5</sup> CPU multiplication factor = Core PLL multiplication factor

## 7.2 PCI Agent Mode

Table 17 and Table 18 show configurations for PCI agent mode. The frequency values listed are for the purpose of illustration only. Users must select a mode and input bus frequency so that the resulting configuration does not exceed the frequency rating of the user’s device. Note that in PCI agent mode the input clock is PCI clock.

# Freescale Semiconductor, Inc.

## Clock Configuration Modes

Table 17. Clock Configurations for PCI Agent Mode (PCI\_MODCK=0) <sup>1, 2</sup>

Mode <sup>3</sup>	PCI Clock (MHz)		CPM Multiplication Factor <sup>4</sup>	CPM Clock (MHz)		CPU Multiplication Factor <sup>5</sup>	CPU Clock (MHz)		Bus Division Factor	Bus Clock (MHz)	
	MODCK_H-MODCK[1-3]	Low		High	Low		High	Low		High	Low
<b>Default Modes (MODCK_H=0000)</b>											
0000_000	50.0	66.7	2	100.0	133.3	2.5	125.0	166.7	2	50.0	66.7
0000_001	50.0	66.7	2	100.0	133.3	3	150.0	200.0	2	50.0	66.7
0000_010	50.0	66.7	3	150.0	200.0	3	150.0	200.0	3	50.0	66.7
0000_011	62.5	66.7	3	187.5	200.0	4	250.0	266.6	3	62.5	66.7
0000_100	50.0	66.7	3	150.0	200.0	3	180.0	240.0	2.5	60.0	80.0
0000_101	59.5	66.7	3	178.6	200.0	3.5	250.0	280.0	2.5	71.4	80.0
0000_110	53.6	66.7	4	214.3	266.6	3.5	250.0	311.1	3	71.4	88.9
0000_111	50.0	66.7	4	200.0	266.6	3	240.0	320.0	2.5	80.0	106.7
<b>Full Configuration Modes</b>											
0001_001	Reserved										
0001_010	Reserved										
0001_011	Reserved										
0001_100	62.5	66.7	2	125.0	133.3	8	250.0	266.6	4	31.3	33.3
<b>0010_000 - 0010_011</b>											
0010_001	50.0	66.7	3	150.0	200.0	3	180.0	240.0	2.5	60.0	80.0
0010_010	59.5	66.7	3	178.6	200.0	3.5	250.0	280.0	2.5	71.4	80.0
0010_011	52.1	66.7	3	156.3	200.0	4	250.0	320.0	2.5	62.5	80.0
0010_100	50.0	66.7	3	150.0	200.0	4.5	270.0	360.0	2.5	60.0	80.0
<b>0011_000 - 0011_100</b>											
0011_000	Reserved										
0011_001	Reserved										
0011_010	Reserved										
0011_011	Reserved										
0011_100	Reserved										
<b>0100_000 - 0100_011</b>											
0100_000	Reserved										
0100_001	50.0	66.7	3	150.0	200.0	3	150.0	200.0	3	50.0	66.7
0100_010	Reserved										
0100_011	62.5	66.7	3	187.5	200.0	4	250.0	266.6	3	62.5	66.7

# Freescale Semiconductor, Inc.

## Clock Configuration Modes

Table 17. Clock Configurations for PCI Agent Mode (PCI\_MODCK=0) <sup>1, 2</sup> (continued)

Mode <sup>3</sup>	PCI Clock (MHz)		CPM Multiplication Factor <sup>4</sup>	CPM Clock (MHz)		CPU Multiplication Factor <sup>5</sup>	CPU Clock (MHz)		Bus Division Factor	Bus Clock (MHz)		
	MODCK_H-MODCK[1-3]	Low		High	Low		High	Low		High	Low	High
0100_100		55.6	66.7	3	166.7	200.0	4.5	250.0	300.0	3	55.6	66.7
0101_000		50.0	66.7	5	250.0	333.3	2.5	250.0	333.3	2.5	100.0	133.3
0101_001		50.0	66.7	5	250.0	333.3	3	300.0	400.0	2.5	100.0	133.3
0101_010		50.0	66.7	5	250.0	333.3	3.5	350.0	466.6	2.5	100.0	133.3
0101_011		50.0	66.7	5	250.0	333.3	4	400.0	533.3	2.5	100.0	133.3
0101_100		50.0	66.7	5	250.0	333.3	4.5	450.0	599.9	2.5	100.0	133.3
0101_101		50.0	66.7	5	250.0	333.3	5	500.0	666.6	2.5	100.0	133.3
0101_110		50.0	66.7	5	250.0	333.3	5.5	550.0	733.3	2.5	100.0	133.3
0110_000	Reserved											
0110_001		50.0	66.7	4	200.0	266.6	3	200.0	266.6	3	66.7	88.9
0110_010		53.6	66.7	4	214.3	266.6	3.5	250.0	311.1	3	71.4	88.9
0110_011		50.0	66.7	4	200.0	266.6	4	266.7	355.5	3	66.7	88.9
0110_100		50.0	66.7	4	200.0	266.6	4.5	300.0	400.0	3	66.7	88.9
0111_000		50.0	66.7	3	150.0	200.0	2	150.0	200.0	2	75.0	100.0
0111_001		50.0	66.7	3	150.0	200.0	2.5	187.5	250.0	2	75.0	100.0
0111_010		50.0	66.7	3	150.0	200.0	3	225.0	300.0	2	75.0	100.0
0111_011		50.0	66.7	3	150.0	200.0	3.5	262.5	350.0	2	75.0	100.0
1000_000	Reserved											
1000_001		50.0	66.7	3	150.0	200.0	2.5	150.0	200.0	2.5	60.0	80.0
1000_010		50.0	66.7	3	150.0	200.0	3	180.0	240.0	2.5	60.0	80.0
1000_011		59.5	66.7	3	178.6	200.0	3.5	250.0	280.0	2.5	71.4	80.0
1000_100		52.1	66.7	3	156.3	200.0	4	250.0	320.0	2.5	62.5	80.0
1000_101		50.0	66.7	3	150.0	200.0	4.5	270.0	360.0	2.5	60.0	80.0
1001_000	Reserved											
1001_001	Reserved											
1001_010	Reserved											



# Freescale Semiconductor, Inc.

## Clock Configuration Modes

Table 17. Clock Configurations for PCI Agent Mode (PCI\_MODCK=0)<sup>1, 2</sup> (continued)

Mode <sup>3</sup>	PCI Clock (MHz)		CPM Multiplication Factor <sup>4</sup>	CPM Clock (MHz)		CPU Multiplication Factor <sup>5</sup>	CPU Clock (MHz)		Bus Division Factor	Bus Clock (MHz)		
	MODCK_H-MODCK[1-3]	Low		High	Low		High	Low		High	Low	High
1001_011		62.5	66.7	4	250.0	266.6	4	250.0	266.6	4	62.5	66.7
1001_100		55.6	66.7	4	222.2	266.6	4.5	250.0	300.0	4	55.6	66.7
1010_000	Reserved											
1010_001		50.0	66.7	4	200.0	266.6	3	200.0	266.6	3	66.7	88.9
1010_010		53.6	66.7	4	214.3	266.6	3.5	250.0	311.1	3	71.4	88.9
1010_011		50.0	66.7	4	200.0	266.6	4	266.7	355.5	3	66.7	88.9
1010_100		50.0	66.7	4	200.0	266.6	4.5	300.0	400.0	3	66.7	88.9
1011_000	Reserved											
1011_001		50.0	66.7	4	200.0	266.6	2.5	200.0	266.6	2.5	80.0	106.7
1011_010		50.0	66.7	4	200.0	266.6	3	240.0	320.0	2.5	80.0	106.7
1011_011		50.0	66.7	4	200.0	266.6	3.5	280.0	373.3	2.5	80.0	106.7
1011_100		50.0	66.7	4	200.0	266.6	4	320.0	426.6	2.5	80.0	106.7
1011_101		50.0	66.7	4	200.0	266.6	2.5	250.0	333.3	2	100.0	133.3
1011_110		50.0	66.7	4	200.0	266.6	3	300.0	400.0	2	100.0	133.3
1011_111		50.0	66.7	4	200.0	266.6	3.5	350.0	466.6	2	100.0	133.3
1100_101		50.0	66.7	6	300.0	400.0	4	400.0	533.3	3	100.0	133.3
1100_110		50.0	66.7	6	300.0	400.0	4.5	450.0	599.9	3	100.0	133.3
1100_111		50.0	66.7	6	300.0	400.0	5	500.0	666.6	3	100.0	133.3
1101_000		50.0	66.7	6	300.0	400.0	5.5	550.0	733.3	3	100.0	133.3
1101_001		50.0	66.7	6	300.0	400.0	3.5	420.0	559.9	2.5	120.0	160.0
1101_010		50.0	66.7	6	300.0	400.0	4	480.0	639.9	2.5	120.0	160.0
1101_011		50.0	66.7	6	300.0	400.0	4.5	540.0	719.9	2.5	120.0	160.0
1101_100		50.0	66.7	6	300.0	400.0	5	600.0	799.9	2.5	120.0	160.0
1110_000		50.0	66.7	5	250.0	333.3	2.5	312.5	416.6	2	125.0	166.7
1110_001		50.0	66.7	5	250.0	333.3	3	375.0	500.0	2	125.0	166.7

# Freescale Semiconductor, Inc.

## Clock Configuration Modes

**Table 17. Clock Configurations for PCI Agent Mode (PCI\_MODCK=0)<sup>1, 2</sup> (continued)**

Mode <sup>3</sup>	PCI Clock (MHz)		CPM Multiplication Factor <sup>4</sup>	CPM Clock (MHz)		CPU Multiplication Factor <sup>5</sup>	CPU Clock (MHz)		Bus Division Factor	Bus Clock (MHz)	
	Low	High		Low	High		Low	High		Low	High
1110_010	50.0	66.7	5	250.0	333.3	3.5	437.5	583.3	2	125.0	166.7
1110_011	50.0	66.7	5	250.0	333.3	4	500.0	666.6	2	125.0	166.7
1110_100	50.0	66.7	5	250.0	333.3	4	333.3	444.4	3	83.3	111.1
1110_101	50.0	66.7	5	250.0	333.3	4.5	375.0	500.0	3	83.3	111.1
1110_110	50.0	66.7	5	250.0	333.3	5	416.7	555.5	3	83.3	111.1
1110_111	50.0	66.7	5	250.0	333.3	5.5	458.3	611.1	3	83.3	111.1
1100_000	Reserved										
1100_001	Reserved										
1100_010	Reserved										

<sup>1</sup> The “low” values are the minimum allowable frequencies for a given clock mode. The minimum bus frequency guarantees the required minimum CPU operating frequency. Minimum CPU frequency is determined by the clock mode. For modes with a CPU multiplication factor ≤ 3, the minimum CPU frequency is 125 MHz or 150 MHz, as shown in the table. For modes with a CPU multiplication factor ≥ 3.5, the minimum CPU frequency is 250 MHz. The “high” values are for the purpose of illustration only. Users must select a mode and input bus frequency so that the resulting configuration does not exceed the frequency rating of the user’s device.

<sup>2</sup> PCI\_MODCK determines the PCI clock frequency range. Refer to Table 18 for lower range configurations.

<sup>3</sup> MODCK\_H = hard reset configuration word [28–31] (refer to Section 5.4 in the *MPC8260 User’s Manual*). MODCK[1-3] = three hardware configuration pins.

<sup>4</sup> CPM multiplication factor = CPM clock/bus clock

<sup>5</sup> CPU multiplication factor = Core PLL multiplication factor

**Table 18. Clock Configurations for PCI Agent Mode (PCI\_MODCK=1)<sup>1, 2</sup>**

Mode <sup>3</sup>	PCI Clock (MHz)		CPM Multiplication Factor <sup>4</sup>	CPM Clock (MHz)		CPU Multiplication Factor <sup>5</sup>	CPU Clock (MHz)		Bus Division Factor	Bus Clock (MHz)	
	Low	High		Low	High		Low	High		Low	High
<b>Default Modes (MODCK_H=0000)</b>											
0000_000	25.0	50.0	4	100.0	200.0	2.5	125.0	250.0	2	50.0	100.0
0000_001	25.0	50.0	4	100.0	200.0	3	150.0	300.0	2	50.0	100.0
0000_010	25.0	50.0	6	150.0	300.0	3	150.0	300.0	3	50.0	100.0
0000_011	31.3	50.0	6	187.5	300.0	4	250.0	400.0	3	62.5	100.0
0000_100	25.0	50.0	6	150.0	300.0	3	180.0	360.0	2.5	60.0	120.0
0000_101	29.8	50.0	6	178.6	300.0	3.5	250.0	420.0	2.5	71.4	120.0

# Freescale Semiconductor, Inc.

## Clock Configuration Modes

Table 18. Clock Configurations for PCI Agent Mode (PCI\_MODCK=1)<sup>1, 2</sup> (continued)

Mode <sup>3</sup>	PCI Clock (MHz)		CPM Multiplication Factor <sup>4</sup>	CPM Clock (MHz)		CPU Multiplication Factor <sup>5</sup>	CPU Clock (MHz)		Bus Division Factor	Bus Clock (MHz)		
	MODCK_H-MODCK[1-3]	Low		High	Low		High	Low		High	Low	High
0000_110		26.8	50.0	8	214.3	400.0	3.5	250.0	466.7	3	71.4	133.3
0000_111		25.0	50.0	8	200.0	400.0	3	240.0	480.0	2.5	80.0	160.0
<b>Full Configuration Modes</b>												
0001_001		50.0	50.0	4	200.0	200.0	5	250.0	250.0	4	50.0	50.0
0001_010		41.7	50.0	4	166.7	200.0	6	250.0	300.0	4	41.7	50.0
0001_011		35.7	50.0	4	142.9	200.0	7	250.0	350.0	4	35.7	50.0
0001_100		31.3	50.0	4	125.0	200.0	8	250.0	400.0	4	31.3	50.0
0010_001		25.0	50.0	6	150.0	300.0	3	180.0	360.0	2.5	60.0	120.0
0010_010		29.8	50.0	6	178.6	300.0	3.5	250.0	420.0	2.5	71.4	120.0
0010_011		26.0	50.0	6	156.3	300.0	4	250.0	480.0	2.5	62.5	120.0
0010_100		25.0	50.0	6	150.0	300.0	4.5	270.0	540.0	2.5	60.0	120.0
0011_000	Reserved											
0011_001		31.3	50.0	4	125.0	200.0	2.5	104.3	166.7	3	41.7	66.7
0011_010	Reserved											
0011_011		46.9	50.0	4	187.5	200.0	4	250.0	266.7	3	62.5	66.7
0011_100		41.7	50.0	4	166.7	200.0	4.5	250.0	300.0	3	55.6	66.7
0100_000	Reserved											
0100_001		25.0	50.0	6	150.0	300.0	3	150.0	300.0	3	50.0	100.0
0100_010		35.7	50.0	6	214.3	300.0	3.5	250.0	350.0	3	71.4	100.0
0100_011		31.3	50.0	6	187.5	300.0	4	250.0	400.0	3	62.5	100.0
0100_100		27.8	50.0	6	166.7	300.0	4.5	250.0	450.0	3	55.6	100.0
0101_000		25.0	50.0	5	125.0	250.0	2.5	125.0	250.0	2.5	50.0	100.0
0101_001		25.0	50.0	5	125.0	250.0	3	150.0	300.0	2.5	50.0	100.0
0101_010		35.7	50.0	5	178.6	250.0	3.5	250.0	350.0	2.5	71.4	100.0
0101_011		31.3	50.0	5	156.3	250.0	4	250.0	400.0	2.5	62.5	100.0
0101_100		27.8	50.0	5	138.9	250.0	4.5	250.0	450.0	2.5	55.6	100.0
0101_101		25.0	50.0	5	125.0	250.0	5	250.0	500.0	2.5	50.0	100.0

# Freescale Semiconductor, Inc.

## Clock Configuration Modes

Table 18. Clock Configurations for PCI Agent Mode (PCI\_MODCK=1)<sup>1, 2</sup> (continued)

Mode <sup>3</sup>	PCI Clock (MHz)		CPM Multiplication Factor <sup>4</sup>	CPM Clock (MHz)		CPU Multiplication Factor <sup>5</sup>	CPU Clock (MHz)		Bus Division Factor	Bus Clock (MHz)	
	MODCK_H-MODCK[1-3]	Low		High	Low		High	Low		High	Low
0101_110	25.0	50.0	5	125.0	250.0	5.5	275.0	550.0	2.5	50.0	100.0
0110_000	Reserved										
0110_001	25.0	50.0	8	200.0	400.0	3	200.0	400.0	3	66.7	133.3
0110_010	26.8	50.0	8	214.3	400.0	3.5	250.0	466.7	3	71.4	133.3
0110_011	25.0	50.0	8	200.0	400.0	4	266.7	533.3	3	66.7	133.3
0110_100	25.0	50.0	8	200.0	400.0	4.5	300.0	600.0	3	66.7	133.3
0111_000	25.0	50.0	6	150.0	300.0	2	150.0	300.0	2	75.0	150.0
0111_001	25.0	50.0	6	150.0	300.0	2.5	187.5	375.0	2	75.0	150.0
0111_010	25.0	50.0	6	150.0	300.0	3	225.0	450.0	2	75.0	150.0
0111_011	25.0	50.0	6	150.0	300.0	3.5	262.5	525.0	2	75.0	150.0
1000_000	Reserved										
1000_001	25.0	50.0	6	150.0	300.0	2.5	150.0	300.0	2.5	60.0	120.0
1000_010	25.0	50.0	6	150.0	300.0	3	180.0	360.0	2.5	60.0	120.0
1000_011	29.8	50.0	6	178.6	300.0	3.5	250.0	420.0	2.5	71.4	120.0
1000_100	26.0	50.0	6	156.3	300.0	4	250.0	480.0	2.5	62.5	120.0
1000_101	25.0	50.0	6	150.0	300.0	4.5	270.0	540.0	2.5	60.0	120.0
1001_000	Reserved										
1001_001	Reserved										
1001_010	Reserved										
1001_011	31.3	50.0	8	250.0	400.0	4	250.0	400.0	4	62.5	100.0
1001_100	27.8	50.0	8	222.2	400.0	4.5	250.0	450.0	4	55.6	100.0
1010_000	Reserved										
1010_001	25.0	50.0	8	200.0	400.0	3	200.0	400.0	3	66.7	133.3
1010_010	26.8	50.0	8	214.3	400.0	3.5	250.0	466.7	3	71.4	133.3
1010_011	25.0	50.0	8	200.0	400.0	4	266.7	533.3	3	66.7	133.3
1010_100	25.0	50.0	8	200.0	400.0	4.5	300.0	600.0	3	66.7	133.3

# Freescale Semiconductor, Inc.

## Clock Configuration Modes

Table 18. Clock Configurations for PCI Agent Mode (PCI\_MODCK=1)<sup>1, 2</sup> (continued)

Mode <sup>3</sup>	PCI Clock (MHz)		CPM Multiplication Factor <sup>4</sup>	CPM Clock (MHz)		CPU Multiplication Factor <sup>5</sup>	CPU Clock (MHz)		Bus Division Factor	Bus Clock (MHz)	
	Low	High		Low	High		Low	High		Low	High
MODCK_H-MODCK[1-3]											
1011_000	Reserved										
1011_001	25.0	50.0	8	200.0	400.0	2.5	200.0	400.0	2.5	80.0	160.0
1011_010	25.0	50.0	8	200.0	400.0	3	240.0	480.0	2.5	80.0	160.0
1011_011	25.0	50.0	8	200.0	400.0	3.5	280.0	560.0	2.5	80.0	160.0
1011_100	25.0	50.0	8	200.0	400.0	4	320.0	640.0	2.5	80.0	160.0
1011_101	25.0	50.0	8	200.0	400.0	2.5	250.0	500.0	2	100.0	200.0
1011_110	25.0	50.0	8	200.0	400.0	3	300.0	600.0	2	100.0	200.0
1011_111	25.0	50.0	8	200.0	400.0	3.5	350.0	700.0	2	100.0	200.0
1100_101	31.3	50.0	6	187.5	300.0	4	250.0	400.0	3	62.5	100.0
1100_110	27.8	50.0	6	166.7	300.0	4.5	250.0	450.0	3	55.6	100.0
1100_111	25.0	50.0	6	150.0	300.0	5	250.0	500.0	3	50.0	100.0
1101_000	25.0	50.0	6	150.0	300.0	5.5	275.0	550.0	3	50.0	100.0
1101_001	29.8	50.0	6	178.6	300.0	3.5	250.0	420.0	2.5	71.4	120.0
1101_010	26.0	50.0	6	156.3	300.0	4	250.0	480.0	2.5	62.5	120.0
1101_011	25.0	50.0	6	150.0	300.0	4.5	270.0	540.0	2.5	60.0	120.0
1101_100	25.0	50.0	6	150.0	300.0	5	300.0	600.0	2.5	60.0	120.0
1110_000	25.0	50.0	5	125.0	250.0	2.5	156.3	312.5	2	62.5	125.0
1110_001	25.0	50.0	5	125.0	250.0	3	187.5	375.0	2	62.5	125.0
1110_010	28.6	50.0	5	142.9	250.0	3.5	250.0	437.5	2	71.4	125.0
1110_011	25.0	50.0	5	125.0	250.0	4	250.0	500.0	2	62.5	125.0
1110_100	37.5	50.0	5	187.5	250.0	4	250.0	333.3	3	62.5	83.3
1110_101	33.3	50.0	5	166.7	250.0	4.5	250.0	375.0	3	55.6	83.3
1110_110	30.0	50.0	5	150.0	250.0	5	250.0	416.7	3	50.0	83.3
1110_111	27.3	50.0	5	136.4	250.0	5.5	250.0	458.3	3	45.5	83.3

**Table 18. Clock Configurations for PCI Agent Mode (PCI\_MODCK=1)<sup>1, 2</sup> (continued)**

Mode <sup>3</sup>	PCI Clock (MHz)		CPM Multiplication Factor <sup>4</sup>	CPM Clock (MHz)		CPU Multiplication Factor <sup>5</sup>	CPU Clock (MHz)		Bus Division Factor	Bus Clock (MHz)	
	Low	High		Low	High		Low	High		Low	High
1100_000	Reserved										
1100_001	Reserved										
1100_010	Reserved										

<sup>1</sup> The “low” values are the minimum allowable frequencies for a given clock mode. The minimum bus frequency guarantees the required minimum CPU operating frequency. Minimum CPU frequency is determined by the clock mode. For modes with a CPU multiplication factor  $\leq 3$ , the minimum CPU frequency is 125 MHz or 150 MHz, as shown in the table. For modes with a CPU multiplication factor  $\geq 3.5$ , the minimum CPU frequency is 250 MHz. The “high” values are for the purpose of illustration only. Users must select a mode and input bus frequency so that the resulting configuration does not exceed the frequency rating of the user’s device.

<sup>2</sup> PCI\_MODCK determines the PCI clock frequency range. Refer to Table 17 for higher range configurations.

<sup>3</sup> MODCK\_H = hard reset configuration word [28–31] (refer to Section 5.4 in the *MPC8260 User’s Manual*). MODCK[1-3] = three hardware configuration pins.

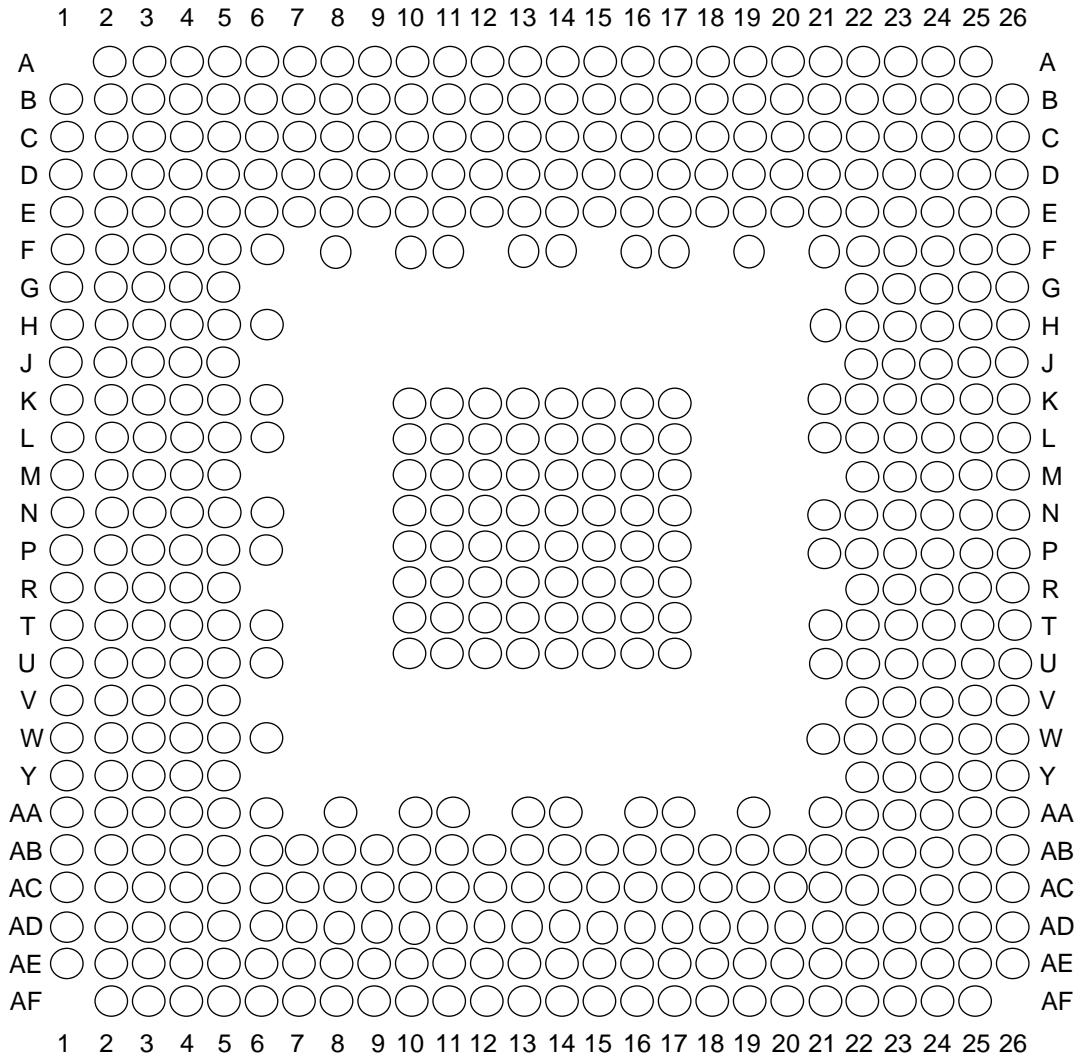
<sup>4</sup> CPM multiplication factor = CPM clock/bus clock

<sup>5</sup> CPU multiplication factor = Core PLL multiplication factor

# 8 Pinout

The figure and table below show the pin assignments and pinout for the 516 PBGA package.

Figure 12 shows the pinout of the 516 PBGA package as viewed from the top surface.



Not to Scale

Figure 12. Pinout of the 516 PBGA Package (View from Top)

## Pinout

Table 19 shows the pinout of the MPC8272. Note that the pins in the ‘MPC8272/8271 only’ column relate to Utopia functionality.

**Table 19. Pinout**

Pin Name		Ball
MPC8272/MPC8248 and MPC8271/MPC8247	MPC8272/MPC8271 only	
$\overline{BR}$		A19
$\overline{BG}/IRQ6$		D2
$\overline{ABB}/IRQ2$		C1
$\overline{TS}$		D1
A0		A3
A1		B5
A2		D8
A3		C6
A4		A4
A5		A6
A6		B6
A7		C7
A8		B7
A9		A7
A10		D9
A11		E11
A12		C9
A13		B9
A14		D11
A15		A9
A16		B10
A17		A10
A18		B11
A19		A11
A20		D12
A21		A12
A22		D13
A23		B13
A24		C13
A25		C14



Table 19. Pinout (continued)

Pin Name		Ball
MPC8272/MPC8248 and MPC8271/MPC8247	MPC8272/MPC8271 only	
A26		B14
A27		D14
A28		E14
A29		A14
A30		B15
A31		A15
TT0		B3
TT1		E8
TT2		D7
TT3		C4
TT4		E7
$\overline{\text{TBST}}$		E3
TSIZ0		E4
TSIZ1		E5
TSIZ2		C3
TSIZ3		D5
$\overline{\text{AACK}}$		D3
$\overline{\text{ARTRY}}$		C2
$\overline{\text{DBG/IRQ7}}$		F16
$\overline{\text{DBB/IRQ3}}$		D18
D0		AC1
D1		AA1
D2		V3
D3		R5
D4		P4
D5		M4
D6		J4
D7		G1
D8		W6
D9		Y3
D10		V1
D11		N6

**Table 19. Pinout (continued)**

Pin Name		Ball
MPC8272/MPC8248 and MPC8271/MPC8247	MPC8272/MPC8271 only	
D12		P3
D13		M2
D14		J5
D15		G3
D16		AB3
D17		Y1
D18		T4
D19		T3
D20		P2
D21		M1
D22		J1
D23		G4
D24		AB2
D25		W4
D26		V2
D27		T1
D28		N5
D29		L1
D30		H1
D31		G5
D32		W5
D33		W2
D34		T5
D35		T2
D36		N1
D37		K3
D38		H2
D39		F1
D40		AA2
D41		W1
D42		U3
D43		R2

Table 19. Pinout (continued)

Pin Name		Ball
MPC8272/MPC8248 and MPC8271/MPC8247	MPC8272/MPC8271 only	
D44		N2
D45		L2
D46		H4
D47		F2
D48		AB1
D49		U4
D50		U1
D51		R3
D52		N3
D53		K2
D54		H5
D55		F4
D56		AA3
D57		U5
D58		U2
D59		P5
D60		M3
D61		K4
D62		H3
D63		E1
IRQ3/CKSTP_OUT/EXT_BR3		B16
IRQ4/CORE_SRESET/EXT_BG3		C15
IRQ5/TBEN/EXT_DBG3/CINT		Y4
PSDVAL		C19
TA		AA4
TEA		AB6
GBL/IRQ1		D15
CI/BADDR29/IRQ2		D16
WT/BADDR30/IRQ3		C16
BADDR31/IRQ5/CINT		E17
CPU_BR/INT_OUT		B20
CS0		AE6

Table 19. Pinout (continued)

Pin Name		Ball
MPC8272/MPC8248 and MPC8271/MPC8247	MPC8272/MPC8271 only	
$\overline{\text{CS1}}$		AD7
$\overline{\text{CS2}}$		AF5
$\overline{\text{CS3}}$		AC8
$\overline{\text{CS4}}$		AF6
$\overline{\text{CS5}}$		AD8
$\overline{\text{CS6/BCTL1/SMI}}$		AC9
$\overline{\text{CS7/TLBISYNC}}$		AB9
$\overline{\text{BADDR27/IRQ1}}$		AB8
$\overline{\text{BADDR28/IRQ2}}$		AC7
$\overline{\text{ALE/IRQ4}}$		AF4
$\overline{\text{BCTL0}}$		AF3
$\overline{\text{PWE0/PSDDQM0/PBS0}}$		AD6
$\overline{\text{PWE1/PSDDQM1/PBS1}}$		AE5
$\overline{\text{PWE2/PSDDQM2/PBS2}}$		AE3
$\overline{\text{PWE3/PSDDQM3/PBS3}}$		AF2
$\overline{\text{PWE4/PSDDQM4/PBS4}}$		AC6
$\overline{\text{PWE5/PSDDQM5/PBS5}}$		AC5
$\overline{\text{PWE6/PSDDQM6/PBS6}}$		AD4
$\overline{\text{PWE7/PSDDQM7/PBS7}}$		AB5
$\overline{\text{PSDA10/PGPL0}}$		AE2
$\overline{\text{PSDWE/PGPL1}}$		AD3
$\overline{\text{POE/PSDRAS/PGPL2}}$		AB4
$\overline{\text{PSDCAS/PGPL3}}$		AC3
$\overline{\text{PGTA/PUPMWAIT/PGPL4}}$		AD2
$\overline{\text{PSDAMUX/PGPL5}}$		AC2
$\overline{\text{PCI\_MODE}}^1$		AD22 $\overline{1}$
$\overline{\text{PCI\_CFG0 (PCI\_HOST\_EN)}}$		AC21
$\overline{\text{PCI\_CFG1 (PCI\_ARB\_EN)}}$		AE22
$\overline{\text{PCI\_CFG2 (DLL\_ENABLE)}}$		AE23
$\overline{\text{PCI\_PAR}}$		AF12
$\overline{\text{PCI\_FRAME}}$		AD15
$\overline{\text{PCI\_TRDY}}$		AF16

Table 19. Pinout (continued)

Pin Name		Ball
MPC8272/MPC8248 and MPC8271/MPC8247	MPC8272/MPC8271 only	
PCI_IRDY		AF15
PCI_STOP		AE15
PCI_DEVSEL		AE14
PCI_IDSEL		AC17
PCI_PERR		AD14
PCI_SERR		AD13
PCI_REQ0		AE20
PCI_REQ1/CPCI_HS_ES		AF14
PCI_GNT0		AD20
PCI_GNT1/CPCI_HS_LED		AE13
PCI_GNT2/CPCI_HS_ENUM		AF21
PCI_RST		AF22
PCI_INTA		AE21
PCI_REQ2		AB14
DLLOUT		AC22
PCI_AD0		AF7
PCI_AD1		AE10
PCI_AD2		AB10
PCI_AD3		AD10
PCI_AD4		AE9
PCI_AD5		AF8
PCI_AD6		AC10
PCI_AD7		AE11
PCI_AD8		AB11
PCI_AD9		AF10
PCI_AD10		AF9
PCI_AD11		AB12
PCI_AD12		AC12
PCI_AD13		AD12
PCI_AD14		AF11
PCI_AD15		AB13
PCI_AD16		AE16

Table 19. Pinout (continued)

Pin Name		Ball
MPC8272/MPC8248 and MPC8271/MPC8247	MPC8272/MPC8271 only	
PCI_AD17		AF17
PCI_AD18		AD16
PCI_AD19		AC16
PCI_AD20		AF18
PCI_AD21		AB16
PCI_AD22		AD17
PCI_AD23		AF19
PCI_AD24		AB17
PCI_AD25		AF20
PCI_AD26		AE19
PCI_AD27		AC18
PCI_AD28		AB18
PCI_AD29		AD19
PCI_AD30		AD21
PCI_AD31		AC20
PCI_C0/BE0		AE12
PCI_C1/BE1		AF13
PCI_C2/BE2		AC15
PCI_C3/BE3		AE18
IRQ0/NMI_OUT		A17
TRST <sup>2</sup>		E21
TCK		B22
TMS		C23
TDI		B24
TDO		A22
TRIS		B23
PORESET <sup>2</sup> /PCI_RST		C24
HRESET		D22
SRESET		F22
RSTCONF		A24
MODCK1/RSRV/TC0/BNKSEL0		A20
MODCK2/CSE0/TC1/BNKSEL1		C20

Table 19. Pinout (continued)

Pin Name		Ball
MPC8272/MPC8248 and MPC8271/MPC8247	MPC8272/MPC8271 only	
MODCK3/CSE1/TC2/BNKSEL2		A21
CLKIN1		D21
PA8/SMRXD2		AF25 <sup>3</sup>
PA9/SMTXD2		AA22 <sup>3</sup>
PA10/MSNUM5	FCC1_UT_RXD0	AB23 <sup>3</sup>
PA11/MSNUM4	FCC1_UT_RXD1	AD26 <sup>3</sup>
PA12/MSNUM3	FCC1_UT_RXD2	AD25 <sup>3</sup>
PA13/MSNUM2	FCC1_UT_RXD3	AA24 <sup>3</sup>
PA14/FCC1_MII_HDLC_RXD3	FCC1_UT_RXD4	W22 <sup>3</sup>
PA15/FCC1_MII_HDLC_RXD2	FCC1_UT_RXD5	Y24 <sup>3</sup>
PA16/FCC1_MII_HDLC_RXD1	FCC1_UT_RXD6	T22 <sup>3</sup>
PA17/FCC1_MII_HDLC_RXD0/ FCC1_MII_TRAN_RXD/FCC1_RMII_R XD0	FCC1_UT_RXD7	W26 <sup>3</sup>
PA18/FCC1_MII_HDLC_TXD0/FCC1_ MII_TRAN_TXD/ FCC1_RMII_TXD0	FCC1_UT_TXD7	V26 <sup>3</sup>
PA19/FCC1_MII_HDLC_TXD1/FCC1_ RMII_TXD1	FCC1_UT_TXD6	R23 <sup>3</sup>
PA20/FCC1_MII_HDLC_TXD2	FCC1_UT_TXD5	P25 <sup>3</sup>
PA21/FCC1_MII_HDLC_TXD3	FCC1_UT_TXD4	N22 <sup>3</sup>
PA22	FCC1_UT_TXD3	N26 <sup>3</sup>
PA23	FCC1_UT_TXD2	N23 <sup>3</sup>
PA24/MSNUM1	FCC1_UT_TXD1	H26 <sup>3</sup>
PA25/MSNUM0	FCC1_UT_TXD0	G25 <sup>3</sup>
PA26/FCC1_MII_RMII_RX_ER	FCC1_UT_RXCLAV	L22 <sup>3</sup>
PA27/FCC1_MII_RX_DV/FCC1_RMII_ CRS_DV	FCC1_UT_RXSOC	G24 <sup>3</sup>
PA28/FCC1_MII_RMII_TX_EN	FCC1_UT_RXENB	G23 <sup>3</sup>
PA29/FCC1_MII_TX_ER	FCC1_UT_TXSOC	B26 <sup>3</sup>
PA30/FCC1_MII_CRD/FCC1_RTS	FCC1_UT_TXCLAV	A25 <sup>3</sup>
PA31/FCC1_MII_COL	FCC1_UT_TXENB	G22 <sup>3</sup>
PB18/FCC2_MII_HDLC_RXD3/L1CLKOD2		T25 <sup>3</sup>
PB19/FCC2_MII_HDLC_RXD2/L1RQD2		P22 <sup>3</sup>

Table 19. Pinout (continued)

Pin Name		Ball
MPC8272/MPC8248 and MPC8271/MPC8247	MPC8272/MPC8271 only	
PB20/FCC2_MII_HDLC_RMII_RXD1		L25 <sup>3</sup>
PB21/FCC2_MII_HDLC_RMII_RXD0/FCC2_TRAN_RXD		J26 <sup>3</sup>
PB22/FCC2_MII_HDLC_TXD0/FCC2_TRAN_TXD/ FCC2_RMII_TXD0		U23 <sup>3</sup>
PB23/FCC2_MII_HDLC_TXD1/FCC2_RMII_TXD1		U26 <sup>3</sup>
PB24/FCC2_MII_HDLC_TXD2/L1RSYNCB2		M24 <sup>3</sup>
PB25/FCC2_MII_HDLC_TXD3/L1TSYNCB2		M23 <sup>3</sup>
PB26/FCC2_MII_CRS/L1RXDB2		H24 <sup>3</sup>
PB27/FCC2_MII_COL/L1TXDB2		E25 <sup>3</sup>
PB28/FCC2_MII_RMII_RX_ER/FCC2_RTS/TXD1		D26 <sup>3</sup>
PB29/FCC2_MII_RMII_TX_EN		K21 <sup>3</sup>
PB30/FCC2_MII_RX_DV/FCC2_RMII_CRS_DV		D24 <sup>3</sup>
PB31/FCC2_MII_TX_ER		E23 <sup>3</sup>
PC0/DREQ3/BRGO7/SMSYN1/L1CLKOA2		AF23 <sup>3</sup>
PC1/BRGO6/L1RQA2		AD23 <sup>3</sup>
PC4/SMRXD1/SI2_L1ST4/FCC2_CD		AB22 <sup>3</sup>
PC5/SMTXD1/SI2_L1ST3/FCC2_CTS		AE24 <sup>3</sup>
PC6/FCC1_CD/SI2_L1ST2	FCC1_UT_RXADDR2	AF24 <sup>3</sup>
PC7/FCC1_CTS	FCC1_UT_TXADDR2	AE26 <sup>3</sup>
PC8/CD4/RTS1/SI2_L1ST2/CTS3		AC24 <sup>3</sup>
PC9/CTS4/L1TSYNCA2		AA23 <sup>3</sup>
PC10/CD3/USB_RN		AB25 <sup>3</sup>
PC11/CTS3/USB_RP/L1TXD3A2		V22 <sup>3</sup>
PC12/DONE3	FCC1_UT_RXADDR1	AA26 <sup>3</sup>
PC13/BRGO5	FCC1_UT_TXADDR1	V23 <sup>3</sup>
PC14/CD1	FCC1_UT_RXADDR0	W24 <sup>3</sup>
PC15/CTS1	FCC1_UT_TXADDR0	U24 <sup>3</sup>
PC16/CLK16		T23 <sup>3</sup>
PC17/CLK15/BRGO8/DONE2		T26 <sup>3</sup>
PC18/CLK14/TGATE2		R26 <sup>3</sup>
PC19/CLK13/BRGO7/TGATE1		P24 <sup>3</sup>
PC20/CLK12/USBOE		L26 <sup>3</sup>



Table 19. Pinout (continued)

Pin Name		Ball
MPC8272/MPC8248 and MPC8271/MPC8247	MPC8272/MPC8271 only	
PC21/CLK11/BRGO6/CP_INT		L24 <sup>3</sup>
PC22/CLK10/DONE3	FCC1_UT_TXPRTY	L23 <sup>3</sup>
PC23/CLK9/BRGO5/DACK3/CD1		K24 <sup>3</sup>
PC24/CLK8/TIN3/TOUT4/DREQ2/BRGO1		K23 <sup>3</sup>
PC25/CLK7/BRGO4/DACK2/SPISEL		F26 <sup>3</sup>
PC26/CLK6/TOUT3/TMCLK		H23 <sup>3</sup>
PC27/CLK5/BRGO3/TOUT1	FCC1_UT_RXPRTY	K22 <sup>3</sup>
PC28/CLK4/TIN1/TOUT2/SPICLK		D25 <sup>3</sup>
PC29/CLK3/TIN2/BRGO2/CTS1		F24 <sup>3</sup>
PD7/SMSYN2	FCC1_UT_TXADDR3	AB21 <sup>3</sup>
PD14/I2CSCL		AC26 <sup>3</sup>
PD15/I2CSDA		Y23 <sup>3</sup>
PD16/SPIMISO	FCC1_UT_TXPRTY	AA25 <sup>3</sup>
PD17/BRGO2/SPIMOSI	FCC1_UT_RXPRTY	Y26 <sup>3</sup>
PD18/SPICLK	FCC1_UT_RXADDR4	W25 <sup>3</sup>
PD19/SPISEL/BRGO1	FCC1_UT_TXADDR4	V25 <sup>3</sup>
PD20/RTS4/L1RSYNCA2		R24 <sup>3</sup>
PD21/TXD4/L1RXD0A2		P23 <sup>3</sup>
PD22/RXD4/L1TXD0A2		N25 <sup>3</sup>
PD23/RTS3/USB_TP		K26 <sup>3</sup>
PD24/TXD3/USB_TN		K25 <sup>3</sup>
PD25/RXD3/USB_RXD		J25 <sup>3</sup>
PD29/RTS1	FCC1_UT_RXADDR3	C26 <sup>3</sup>
PD30/TXD1		E24 <sup>3</sup>
PD31/RXD1		B25 <sup>3</sup>
VCCSYN		C18
VCCSYN1		K6
CLKIN2		C21
No connect <sup>4</sup>		D19 <sup>4</sup> , J3 <sup>4</sup> , AD24 <sup>5</sup>

Table 19. Pinout (continued)

Pin Name		Ball
MPC8272/MPC8248 and MPC8271/MPC8247	MPC8272/MPC8271 only	
I/O power		B4, F3, J2, N4, AD1, AD5, AE8, AC13, AD18, AB24, AB26, W23, R25, M25, F25, C25, C22, B17, B12, B8, E6, F6, H6, L5, L6, P6, T6, U6, V5, Y5, AA6, AA8, AA10, AA11, AA14, AA16, AA17, AB19, AB20, W21, U21, T21, P21, N21, M22, J22, H21, F21, F19, F17, E16, F14, E13, E12, F10, E10, E9
Core Power		F5, K5, M5, AA5, AB7, AA13, AA19, AA21, Y22, AC25, U22, R22, L21, H22, E22, E20, E15, F13, F11, F8, L3, V4, W3, AC11, AD11, AB15, U25, T24, J24, H25, F23, B19, D17, C17, D10, C10
Ground		E19, E2, K1, Y2, AE1, AE4, AD9, AC14, AE17, AC19, AE25, V24, P26, M26, G26, E26, B21, C12, C11, C8, A8, B18, A18, A2, B1, B2, A5, C5, D4, D6, G2, L4, P1, R1, R4, AC4, AE7, AC23, Y25, N24, J23, A23, D23, D20, E18, A13, A16, K10, K11, K12, K13, K14, K15, K16, K17, L10, L11, L12, L13, L14, L15, L16, L17, M10, M11, M12, M13, M14, M15, M16, M17, N10, N11, N12, N13, N14, N15, N16, N17, P10, P11, P12, P13, P14, P15, P16, P17, R10, R11, R12, R13, R14, R15, R16, R17, T10, T11, T12, T13, T14, T15, T16, T17, U10, U11, U12, U13, U14, U15, U16, U17

- <sup>1</sup> Must be tied to ground.
- <sup>2</sup> Should be tied to VDDH via a 2K  $\Omega$  external pull-up resistor.
- <sup>3</sup> The default configuration of the CPM pins (PA[8–31], PB[18–31], PC[0–1,4–29], PD[7–25, 29–31]) is input. To prevent excessive DC current, it is recommended either to pull unused pins to GND or VDDH, or to configure them as outputs.
- <sup>4</sup> This pin is not connected. It should be left floating.
- <sup>5</sup> Must be pulled down or left floating

## 9 Package

Figure 13 shows the side profile of the PBGA package.

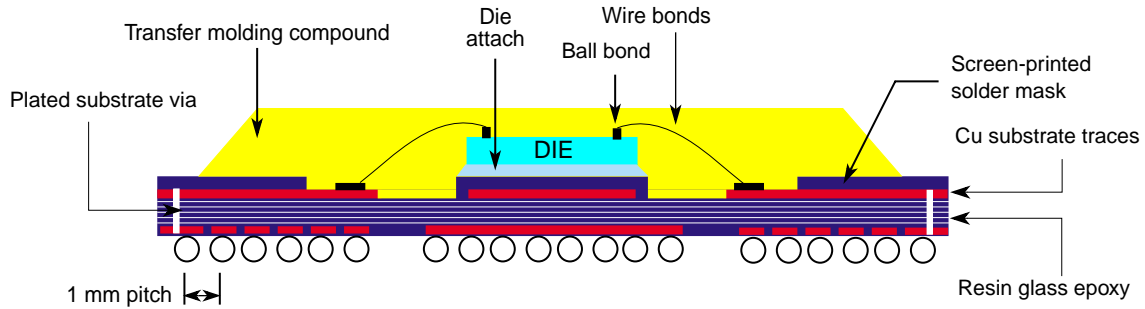


Figure 13. Side View of the PBGA Package Remove

Table 20 provides package parameters. Figure 14 provides the mechanical dimensions and bottom surface nomenclature of the 516 PBGA package.

Table 20. Package Parameters

Code	Type	Outline (mm)	Interconnects	Pitch (mm)	Nominal Unmounted Height (mm)
VR, ZQ	PBGA	27 x 27	516	1	2.25

### NOTE: Temperature Reflow for the VR Package

In the VR package, sphere composition is lead-free (refer to Table 2). This requires higher temperature reflow than what is required for other PowerQUICC II packages. Users should consult “Motorola PowerQUICC II™ Pb-Free Packaging Information” (MPC8250PBFREEPKG) available at [www.motorola.com/semiconductors](http://www.motorola.com/semiconductors).



## 10 Ordering Information

Figure 15 provides an example of the Motorola part numbering nomenclature for the MPC8272. In addition to the processor frequency, the part numbering scheme also consists of a part modifier that indicates any enhancement(s) in the part from the original production design. Each part number also contains a revision code that refers to the die mask revision number and is specified in the part numbering scheme for identification purposes only. For more information, contact a local Motorola sales office.

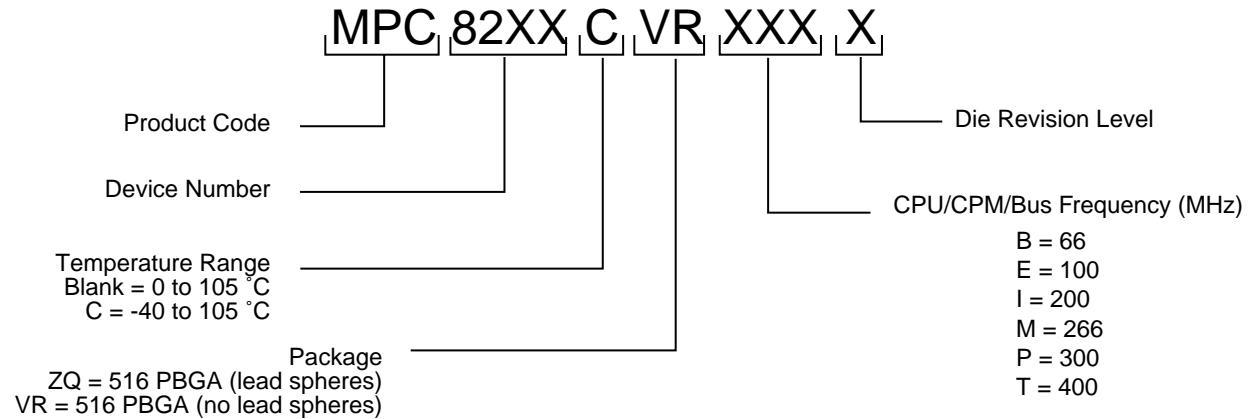


Figure 15. Motorola Part Number Key

## 11 Document Revision History

Table 21 lists significant changes between revisions of this hardware specification.

Table 21. Document Revision History

Revision	Date	Substantive Changes
0	5/2003	NDA release

### Table 21. Document Revision History

Revision	Date	Substantive Changes
0.1	9/2003	<ul style="list-style-type: none"> <li>• Addition of the MPC8271 and the MPC8247 (these devices do not have a security engine)</li> <li>• Table 5: Addition of note 2 to <math>V_{IH}</math></li> <li>• Table 5: Changed <math>I_{OL}</math> for 60x signals to 6.0 mA</li> <li>• Modification of note 1 for Table 15, Table 16, Table 17, and Table 18</li> <li>• Table 19: Addition of ball AD9 to GND. In rev 0 of this document, AD8 was listed as assigned to both <math>\overline{CS5}</math> and GND. AD8 is only assigned to <math>\overline{CS5}</math>.</li> <li>• Table 19: Addition of note 4 to Thermal0 (D19) and Thermal1(J3)</li> <li>• Addition of ZQ package code to Figure 15</li> </ul>
0.2	12/2003	<ul style="list-style-type: none"> <li>• Table 1: New</li> <li>• Table 2: New</li> <li>• Table 4: Modification of VDD and VCCSYN to 1.45–1.60 V</li> <li>• Table 5: Addition of note 2 regarding <math>\overline{TRST}</math> and <math>\overline{PORESET}</math> (see <math>V_{IH}</math> row of Table 5)</li> <li>• Table 5 and Table 19: Addition of muxed signals               <ul style="list-style-type: none"> <li><math>\overline{CPCI\_HS\_ES}</math> to <math>\overline{PCI\_REQ1}</math> (AF14)</li> <li><math>\overline{CPCI\_HS\_LED}</math> to <math>\overline{PCI\_GNT1}</math> (AE13)</li> <li><math>\overline{CPCI\_HS\_ENUM}</math> to <math>\overline{PCI\_GNT2}</math> (AF21)</li> </ul> </li> <li>• Table 5 and Table 19: Modification of PCI signal names for consistency with PCI signal names on other PowerQUICC II devices:               <ul style="list-style-type: none"> <li><math>\overline{PCI\_CFG0}</math> (<math>\overline{PCI\_HOST\_EN}</math>) (AC21)</li> <li><math>\overline{PCI\_CFG1}</math> (<math>\overline{PCI\_ARB\_EN}</math>) (AE22)</li> <li><math>\overline{PCI\_CFG2}</math> (<math>\overline{DLL\_ENABLE}</math>) (AE23)</li> <li><math>\overline{PCI\_PAR}</math> (AF12)</li> <li><math>\overline{PCI\_FRAME}</math> (AD15)</li> <li><math>\overline{PCI\_TRDY}</math> (AF16)</li> <li><math>\overline{PCI\_IRDY}</math> (AF15)</li> <li><math>\overline{PCI\_STOP}</math> (AE15)</li> <li><math>\overline{DEVSEL}</math> (AE14)</li> <li><math>\overline{PCI\_IDSEL}</math> (AC17)</li> <li><math>\overline{PCI\_PERR}</math> (AD14)</li> <li><math>\overline{PCI\_SERR}</math> (AD13)</li> <li><math>\overline{PCI\_REQ0-2}</math> (AAE20, AF14, AB14)</li> <li><math>\overline{PCI\_GNT0-2}</math> (AD20, AE13, AF21)</li> <li><math>\overline{PCI\_RST}</math> (AF22)</li> <li><math>\overline{PCI\_INTA}</math> (AE21)</li> <li><math>\overline{PCI\_C0-3}</math> (AE12, AF13, AC15, AE18)</li> <li><math>\overline{PCI\_AD0-31}</math></li> </ul> </li> <li>• Table 5 and Table 19: Corrected assertion level (added “<math>\overline{\hspace{1em}}</math>”) <math>\overline{PCI\_HOST\_EN}</math> (AC21) and <math>\overline{PCI\_ARB\_EN}</math> (AE22)</li> <li>• Table 6: Addition of <math>R_{\theta JT}</math> and note 4</li> <li>• Sections 4.1–4.5 and 4.7 on thermal characteristics: New</li> <li>• Section 7, “Clock Configuration Modes”: Modification to first paragraph. Note that <math>\overline{PCI\_MODCK}</math> is a bit in the Hard Reset Configuration Word. It is not an input signal as it is in the MPC8280 Family and MPC8260 Family.</li> <li>• Addition of “Note: Temperature Reflow for the VR Package” on page 51</li> <li>• Table 19: Addition of note 2 to <math>\overline{TRST}</math> (E21) and <math>\overline{PORESET}</math> (C24)</li> <li>• Table 19: Removal of Thermal0 (D19) and Thermal1(J3). These pins are now “No connects.” Note 4 unchanged.</li> <li>• Table 19: Removal of Spare0 (AD24). This pin is now a “No connect.” Note 5 unchanged.</li> <li>• Table 19: Addition of <math>\overline{PCI\_MODE}</math> (AD22). This pin was previously listed as “Ground.” Addition of note 1.</li> </ul>

THIS PAGE INTENTIONALLY LEFT BLANK

# Freescale Semiconductor, Inc.

## HOW TO REACH US:

### USA/EUROPE/LOCATIONS NOT LISTED:

Motorola Literature Distribution  
P.O. Box 5405, Denver, Colorado 80217  
1-480-768-2130  
(800) 521-6274

### JAPAN:

Motorola Japan Ltd.  
SPS, Technical Information Center  
3-20-1, Minami-Azabu Minato-ku  
Tokyo 106-8573 Japan  
81-3-3440-3569

### ASIA/PACIFIC:

Motorola Semiconductors H.K. Ltd.  
Silicon Harbour Centre, 2 Dai King Street  
Tai Po Industrial Estate, Tai Po, N.T., Hong Kong  
852-26668334

### TECHNICAL INFORMATION CENTER:

(800) 521-6274

### HOME PAGE:

[www.motorola.com/semiconductors](http://www.motorola.com/semiconductors)

Information in this document is provided solely to enable system and software implementers to use Motorola products. There are no express or implied copyright licenses granted hereunder to design or fabricate any integrated circuits or integrated circuits based on the information in this document.

Motorola reserves the right to make changes without further notice to any products herein.

Motorola makes no warranty, representation or guarantee regarding the suitability of its products for any particular purpose, nor does Motorola assume any liability arising out of the application or use of any product or circuit, and specifically disclaims any and all liability, including without limitation consequential or incidental damages. "Typical" parameters which may be provided in Motorola data sheets and/or specifications can and do vary in different applications and actual performance may vary over time. All operating parameters, including "Typicals" must be validated for each customer application by customer's technical experts. Motorola does not convey any license under its patent rights nor the rights of others. Motorola products are not designed, intended, or authorized for use as components in systems intended for surgical implant into the body, or other applications intended to support or sustain life, or for any other application in which the failure of the Motorola product could create a situation where personal injury or death may occur. Should Buyer purchase or use Motorola products for any such unintended or unauthorized application, Buyer shall indemnify and hold Motorola and its officers, employees, subsidiaries, affiliates, and distributors harmless against all claims, costs, damages, and expenses, and reasonable attorney fees arising out of, directly or indirectly, any claim of personal injury or death associated with such unintended or unauthorized use, even if such claim alleges that Motorola was negligent regarding the design or manufacture of the part.



Motorola and the Stylized M Logo are registered in the U.S. Patent and Trademark Office. digital dna is a trademark of Motorola, Inc. The described product contains a PowerPC processor core. The PowerPC name is a trademark of IBM Corp. and used under license. All other product or service names are the property of their respective owners. Motorola, Inc. is an Equal Opportunity/Affirmative Action Employer.

© Motorola, Inc. 2003

MPC8272EC

**For More Information On This Product,  
Go to: [www.freescale.com](http://www.freescale.com)**