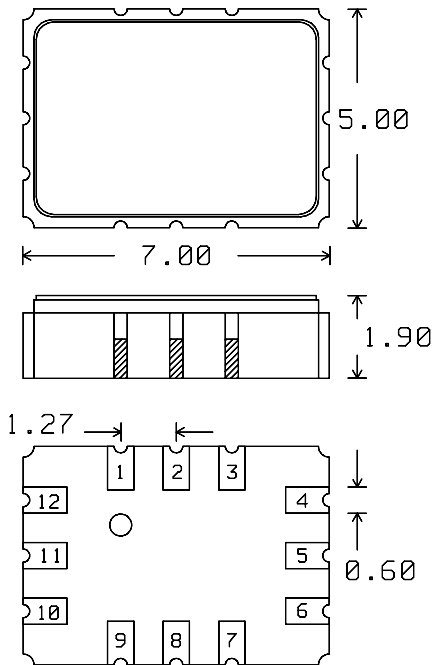


PACKAGE OUTLINE

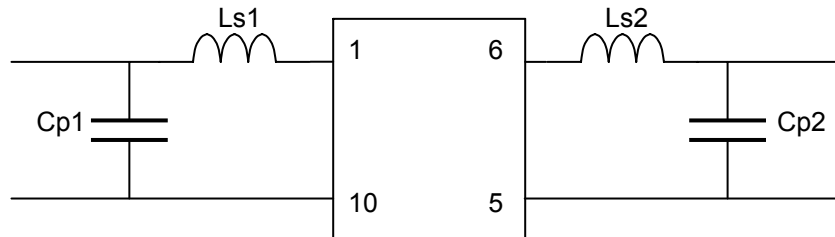


Units: mm

Pin Configuration:

Input:	10
Input Return	12
Output:	4
Output Return	6
Ground:	1,2,3,5,7,8,9,11

MATCHING CIRCUIT



Typical component values: Ls1 = 18 nH Ls2 = 18 nH
 Cp1 = 33 pF Cp2 = 31 pF

Notes:

1. Component values may change depending on board layout. Component values shown are those used in the Micro Networks test fixture.
2. Recommended maximum component tolerances – inductors 2%, capacitors 1%. Minimum inductor Q=45.

ISO 9001
Registered