

### RB5P0070M

Video Interface ICs for TFT-LCDs

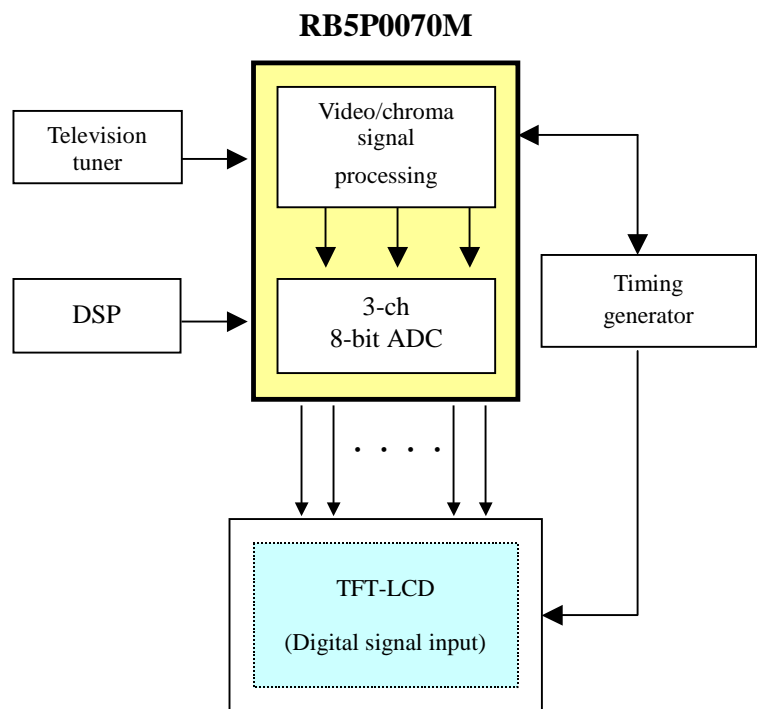
#### < Outline >

The RB5P0070M is a video interface IC that can be adapted for use with digital TFT color liquid crystal display equipment, and because it can be used with composite video, Y/C, and analog RGB signal input, it is highly suited to systems that display television images, such as car navigation and portable DVD players.

#### < Main Specifications >

- For digital signal input TFT-LCD panel
- Built-in composite video input signal, Y/C input signal, analog RGB input signal.
- Built-in 8-bit 3ch ADC
- For VGA wide (800 x 480 dot, aspect ratio 16:9)
- 16-bit YUV output mode
- Color decode: NTSC/PAL
- Supply voltage: 2.7 to 3.6 V  
6.5 to 8.0 V
- Power consumption: 330 mW(TYP.)
- ADC clock frequency: 36 MHz (MAX.)
- Operating temperature: -30 to 85 °C
- Package: 72QFP(P-QFP072-1010)

#### < System Configuration Example >



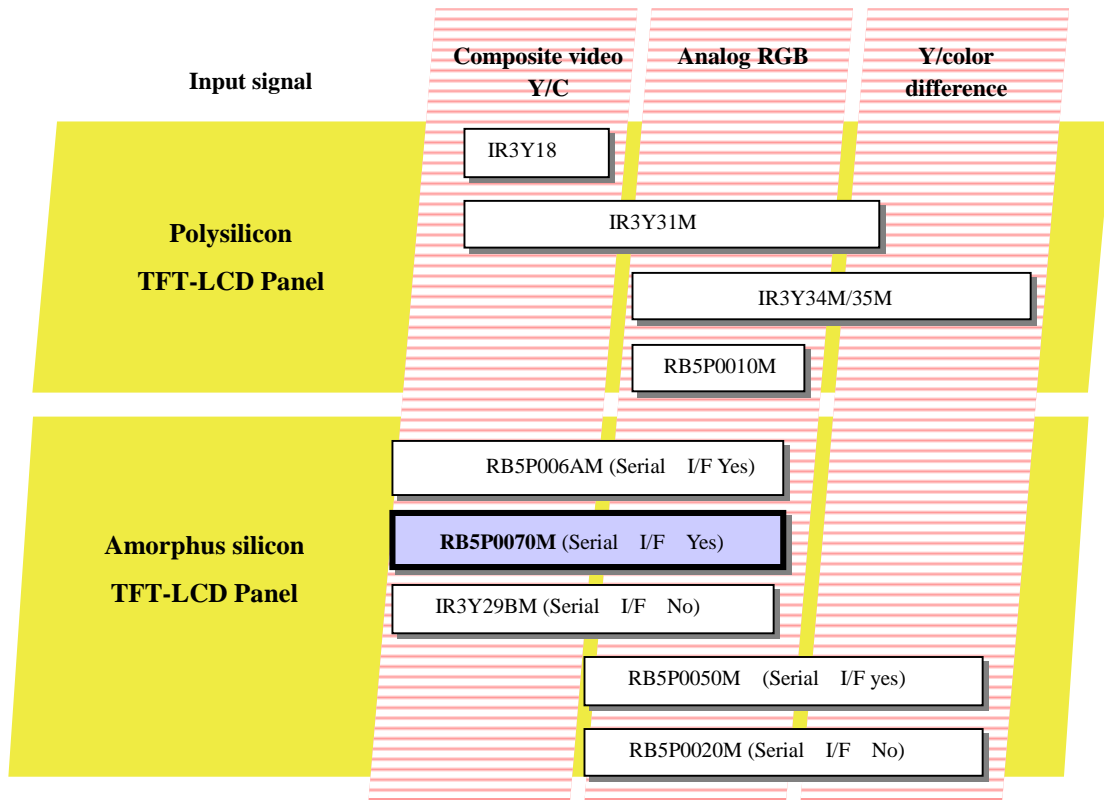
Animation correspondence digital input panel  
[SHARP's : LQ042B5DG02 /  
LQ065Y5DG01 /  
LQ070Y5DR03 ]

< Product Line-up of Video Interface ICs for TFT-LCDs >

\* Under development

Model No.	Input signal			Color decode	Serial data control	Supply voltage (V)	Power consumption (mW)TYP.	Package
	Composite video	Y/C	Analog RGB					
<b>IR3Y29AM/IR3Y29BM</b>	O	O	O	NTSC /PAL	-	5/7.5	190	P-QFP048-0707
<b>RB5P006AM</b>	O	O	O		O	3/5/13	120	P-QFP048-1010
* <b>RB5P0070M</b>	O	O	O		O	3/7	330	P-QFP072-1010

< Input Signal/ Adaptive LCD Panel >



Contact SHARP in order to obtain the latest device specification sheets before using any SHARP device. Manufacturing locations are also subject to change without notice. In the absence of confirmation by device specification sheets, SHARP takes no responsibility for any defects that occur in equipment using any SHARP devices shown in catalogs, data books, etc. The circuit application examples in this publication are provided to explain representative applications of SHARP devices and are not intended to guarantee any circuit design or license any intellectual property right. SHARP takes no responsibility for any problems related to any intellectual property right of a third party resulting from the use of SHARP devices. SHARP reserves the right to make changes in the specifications, characteristics, data, materials, structures and other contents described herein at any time without notice in order to improve design or reliability.