



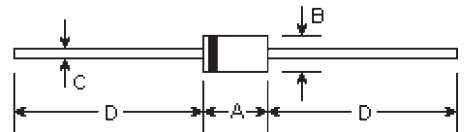
FR301 THRU FR307

FAST RECOVERY RECTIFIER
Reverse Voltage - 50 to 1000 Volts
Forward Current - 3.0 Amperes

Features

- Plastic package has Underwriters Laboratory Flammability Classification 94V-0
- Fast switching for high efficiency
- Construction utilizes void-free molded plastic technique
- 3.0 ampere operation at $T_A=75^\circ\text{C}$ with no thermal runaway
- High temperature soldering guaranteed: $250^\circ\text{C}/10$ seconds, 0.375"(9.5mm) lead length, 5 lbs. (2.3kg) tension

DO-201AD



Mechanical Data

- **Case:** DO-201AD molded plastic body
- **Terminals:** Plated axial leads, solderable per MIL-STD-750, method 2026
- **Polarity:** Color band denotes cathode end
- **Mounting Position:** Any
- **Weight:** 0.042 ounce, 1.195 grams

DIM	DIMENSIONS				Note
	inches		mm		
	Min.	Max.	Min.	Max.	
A	0.283	0.374	7.20	9.50	
B	0.189	0.208	4.80	5.30	ϕ
C	0.048	0.051	1.20	1.30	ϕ
D	1.000	-	25.40	-	

Maximum Ratings and Electrical Characteristics @25°C unless otherwise specified

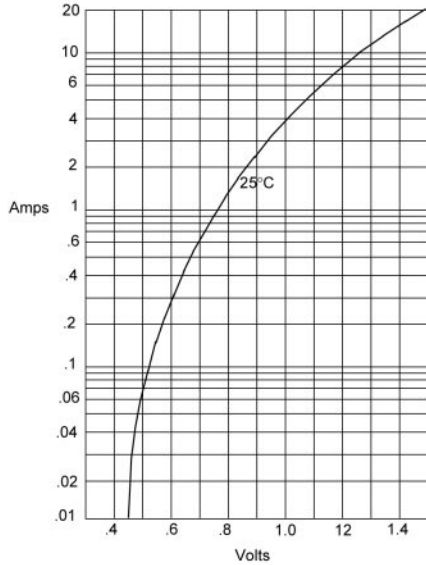
	Symbols	FR301	FR302	FR303	FR304	FR305	FR306	FR307	FR307-STR	Units
Maximum repetitive peak reverse voltage	V_{RRM}	50	100	200	400	600	800	1000	1000	Volts
Maximum RMS voltage	V_{RMS}	35	70	140	280	420	560	700	700	Volts
Maximum DC blocking voltage	V_{DC}	50	100	200	400	600	800	1000	1000	Volts
Average forward rectified current at $T_A=75^\circ\text{C}$	$I_{(AV)}$	3.0								Amps
Peak forward surge current 8.3mS single half sine-wave (MIL-STD-750D 4066 method)	I_{FSM}	200.0								Amps
Maximum instantaneous forward voltage at $I_{FM}=3.0\text{A}$, $T_A=25^\circ\text{C}$ (Note 3)	V_F	1.3								Volts
Maximum DC reverse current $T_A=25^\circ\text{C}$ at rated DC blocking voltage $T_A=55^\circ\text{C}$	I_R	10.0 150.0								µA
Maximum reverse recovery time (Note 1)	T_{rr}	150			250		500		250	nS
Typical junction capacitance (Note 2)	C_J	65.0								pF
Operating and storage temperature range	T_J, T_{STG}	-65 to +150								°C

Notes:

- (1) Reverse recovery test conditions: $I_F=0.5\text{A}$, $I_R=1.0\text{A}$, $I_{rr}=0.25\text{A}$
- (2) Measured at 1.0MHz and applied reverse voltage of 4.0 volts
- (3) Pulse test: pulse width 300µSec, Duty cycle 1%

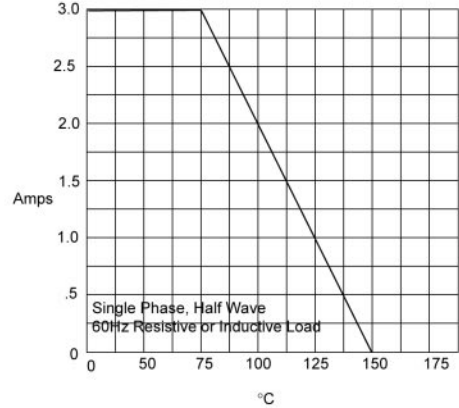
RATINGS AND CHARACTERISTIC CURVES

Figure 1
Typical Forward Characteristics



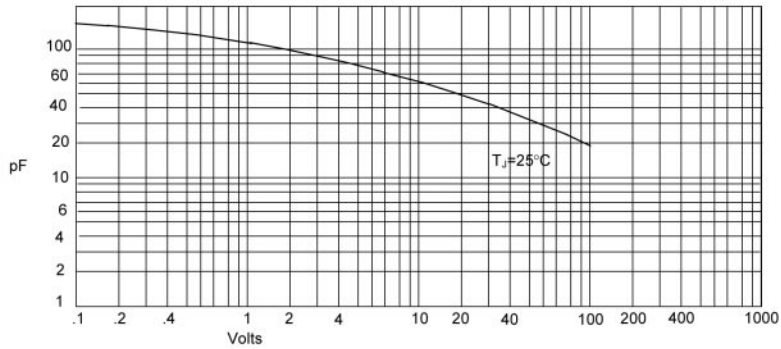
Instantaneous Forward Current - Amperes *versus*
Instantaneous Forward Voltage - Volts

Figure 2
Forward Derating Curve



Average Forward Rectified Current - Amperes *versus*
Ambient Temperature - °C

Figure 3
Junction Capacitance



Junction Capacitance - pF *versus*
Reverse Voltage - Volts

RATINGS AND CHARACTERISTIC CURVES

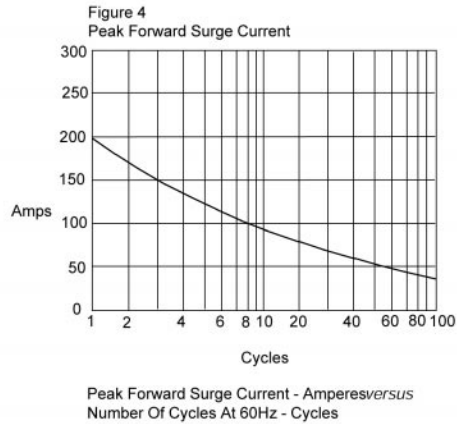
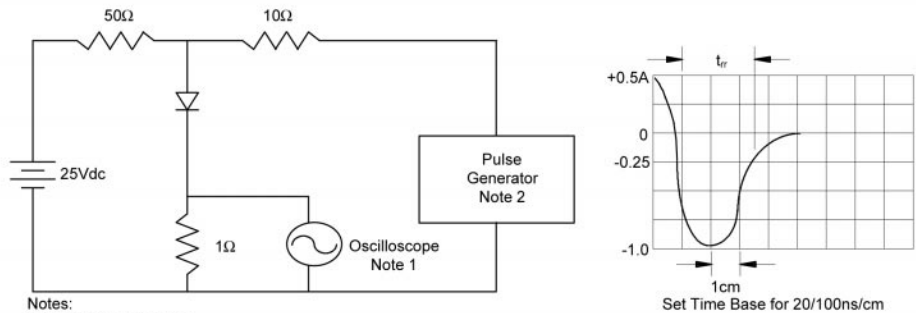


Figure 5
Reverse Recovery Time Characteristic And Test Circuit Diagram



- Notes:
1. Rise Time = 7ns max.
Input impedance = 1 megohm, 22pF
 2. Rise Time = 10ns max.
Source impedance = 50 ohms
 3. Resistors are non-inductive