

CS4390

24-Bit, Stereo D/A Converter for Digital Audio

The following information is based on the technical datasheet:

CS4390 DS264PP1 MAY '97

Please contact Cirrus Logic : Crystal Semiconductor Products Division for further information.

CRYSTAL SEMICONDUCTOR PRODUCTS DIVISION PRODUCT INFORMATION

Copyright © Cirrus Logic, Inc. 1998
(All Rights Reserved)

PI264PP1 JAN '98

24-Bit, Stereo D/A Converter for Digital Audio

Features

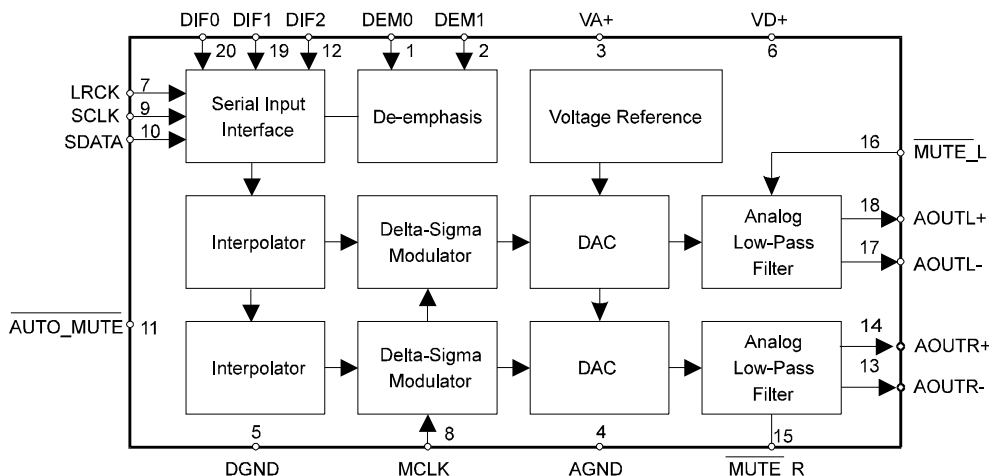
- 24-Bit Conversion
- 115 dB Signal-to-Noise-Ratio (EIAJ)
- 106 dB Dynamic Range
- -97 dB THD+N
- 128x Oversampling
- Low Clock Jitter Sensitivity
- Filtered Line-Level Outputs
 - Linear Phase Filtering
 - Zero Phase Error Between Channels
- Adjustable System Sampling Rates
 - including 32 kHz, 44.1 kHz & 48 kHz
- Digital De-emphasis for 32 kHz, 44.1 kHz & 48 kHz
- Pin Compatible with CS4329

Description

The CS4390 is a complete stereo digital-to-analog output system. In addition to the traditional D/A function, the CS4390 includes a digital interpolation filter followed by 128X oversampled delta-sigma modulator. The modulator output controls the reference voltage input to an ultra-linear analog low-pass filter. This architecture allows for infinite adjustment of sample rate between 1 and 50 kHz while maintaining linear phase response simply by changing the master clock frequency.

The CS4390 also includes an extremely flexible serial port utilizing mode select pins to support multiple interface formats.

The master clock can be either 256, 384, or 512 times the input sample rate, supporting various audio environments.



Overview

The CS4390 is a complete stereo digital-to-analog system including 128× digital interpolation, fourth-order delta-sigma digital-to-analog conversion, 128× oversampled one-bit delta-sigma modulator and analog filtering. This architecture provides a low sensitivity to clock jitter. The DAC converts digital data at any input sample rate between 1 and 50 kHz, including the standard audio rates of 48, 44.1 and 32 kHz.

The primary purpose of using delta-sigma modulation techniques is to avoid the limitations of laser trimmed resistive DAC architectures by using an inherently linear 1-bit DAC. The advantages of a 1-bit DAC include: ideal differential linearity, no distortion mechanisms due to resistor matching errors and no linearity drift over time and temperature due to variations in resistor values.

FAQs

- 1) What is the difference between the CS4329 and the CS4390?
A: Although the analog performance of the CS4329 and CS4390 is essentially the same, the CS4390 supports 24-bit conversion.

- 2) What would happen if you input 24-bit data into a 20-bit converter D/A converter like the CS4329?
A: A 20-bit D/A converter will provide poor distortion performance when presented 24-bit data. The 24-bit CS4390 however will be able to provide true high performance 24-bit conversion without any degradation in the distortion performance.

- 3) Is the CS4390 always a pin compatible replacement for the CS4329?
A: The CS4390 can replace the CS4329 in any socket without requiring any layout change by the customer. The only exception is if the customer is using the CS4329 in the right justified 18-bit mode(Format 1 in the CS4329 data sheet).

Ordering Information


CS4390-KP	-10 to 70 ×C	20-pin Plastic DIP
CS4390-KS	-10 to 70 ×C	20-pin Plastic SSOP
CDB4390 CS4390 Evaluation Board		

For further information on Crystal products, please visit our website “www.crystal.com” or call our literature department (800) 888-5016 ext. 3594 or (512) 912-3594 for data sheets and application notes.

Schematic & Layout Review Service

Confirm Optimum
Schematic & Layout
Before Building Your Board.

For Our Free Review Service
Call Applications Engineering.



C a l l : (5 1 2) 4 4 5 - 7 2 2 2

Sales Office and Applications Support

UNITED STATES

Sales Office and Applications Support:

WESTERN AREA

Cirrus Logic
Crystal Semiconductor Div.
50 Airport Pkwy.
San Jose, CA 95110
Ph: 408-437-7743
FAX: 408-437-4943

Cirrus Logic
Crystal Semiconductor Div.
6 Venture,
Ste. 100
Irvine, CA 92718
Ph: 714-453-5910
FAX: 714-453-5914

CENTRAL AREA

Cirrus Logic
Crystal Semiconductor Div.
14205 Burnet Rd.,
Ste. 400
Austin, TX 78728
Ph: 512-255-8893
FAX: 512-255-0733

EASTERN AREA

Cirrus Logic
Crystal Semiconductor Div.
5511 Capital Center Dr.,
Ste. 103
Raleigh, NC 27606
Ph: 919-859-5393
FAX: 919-859-5334

Cirrus Logic
10 New England Business Center,
Ste. 100
Andover, MA 01810
Ph: 978-794-9138
FAX: 978-794-9998

Cirrus Logic
Crystal Semiconductor Div.
10440 Little Patuxent Pkwy.,
Ste. 300
Columbia, MD 21044-3559
Ph: 410-740-5654
FAX: 410-740-6961

EUROPE

Sales Office and Applications Support:

Cirrus Logic France
Immeuble Andre Malraux
93561 Rosny s/s Bois CEDEX,
France
Ph: +33(148)122812
FAX: +33(148)122810

Cirrus Logic
Crystal Semiconductor (UK) Ltd.
Spectrum Point,
279 Farnborough Rd.,
Farnborough,
Hampshire GU14 7LS,
United Kingdom
Ph: +44(0)1252372762
FAX: +44(0)1252372763

Cirrus Logic GmbH
Muehlfelder-Strasse 2
D-82211 Herrsching, Germany
Ph: +49(08152)92460
FAX: +49(08152)924699

FAR EAST

Sales Office and Applications Support:

CHINA

Cirrus Logic International Ltd.
A-1403, Qiancun Commercial
Mansion
Beijing, China 100029
Ph: (8610)6443-0783
Ph: (8610)6443-0784
Ph: (8610)6443-0785
FAX: (8610)6443-0786

HONG KONG

Cirrus Logic International Ltd.
1203 Park Tower
15 Austin Rd., Tsimshatsui
Kowloon, Hong Kong
Ph: (852)2376-0801
FAX: (852)2375-1202

KOREA

Cirrus Logic, Korea Co., Ltd.
Rm 1302 SangKyung Bldg., 824-
21 YeokSam-Dong,
KangNam-Ku,
Seoul, Korea
Ph: +82(2)565-8561
FAX: +82(2)565-8565

SINGAPORE

Cirrus Logic
Crystal International
6 Kaki Bukit Ave. 1,
Ste. 03-03
Singapore 417940
Ph: +65-743-4111
FAX: +65-742-4111

TAIWAN

Cirrus Logic International Ltd.
Taiwan Branch
10F, No.214 Tun Hwa North Rd.
Taipei, Taiwan R.O.C.
Ph: +886(2)2718-4533
FAX: +886(2)2718-4526

JAPAN

Sales Office and Applications Support:

Cirrus Logic K.K.
Shinjuku Green Tower, Bldg. 26F
6-14-1 Nishi-Shinjuku,
Shinjuku-ku,
Tokyo, 160
Japan
Ph: +81(03)3340-9111
FAX: +81(03)3340-9120



**CRYSTAL SEMICONDUCTOR
PRODUCTS DIVISION**

**PO BOX 17847
4210 S. INDUSTRIAL DRIVE
AUSTIN, TEXAS 78744
512.445.7222 / 800.888.5016
FAX: 512.445.7581**

**WORLDWIDE WEB:
<http://www.crystal.com>**