

SN8P2501A

USER'S MANUAL

Preliminary Specification Version 0.2

SONiX 8-Bit Micro-Controller

SONiX reserves the right to make change without further notice to any products herein to improve reliability, function or design. SONiX does not assume any liability arising out of the application or use of any product or circuit described herein; neither does it convey any license under its patent rights nor the rights of others. SONiX products are not designed, intended, or authorized for use as components in systems intended, for surgical implant into the body, or other applications intended to support or sustain life, or for any other application in which the failure of the SONiX product could create a situation where personal injury or death may occur. Should Buyer purchase or use SONiX products for any such unintended or unauthorized application. Buyer shall indemnify and hold SONiX and its officers, employees, subsidiaries, affiliates and distributors harmless against all claims, cost, damages, and expenses, and reasonable attorney fees arising out of, directly or indirectly, any claim of personal injury or death associated with such unintended or unauthorized use even if such claim alleges that SONiX was negligent regarding the design or manufacture of the part.

AMENDMENT HISTORY

Version	Date	Description
VER 0.1	Jan. 2004	Preliminary Version 0.1 first issue
VER 0.2	Jan. 2004	Preliminary Version 0.2. Add SSOP 16 pin package information.

Table of Content

AMENDMENT HISTORY	1
1 PRODUCT OVERVIEW	6
1.1 SYSTEM BLOCK DIAGRAM.....	7
1.2 PIN ASSIGNMENT.....	8
1.3 PIN DESCRIPTIONS	8
1.4 PIN CIRCUIT DIAGRAMS.....	9
2 CENTRAL PROCESSOR UNIT (CPU).....	10
2.1 MEMORY MAP	10
2.1.1 PROGRAM MEMORY (ROM).....	10
2.1.2 DATA MEMORY (RAM)	17
2.1.3 CODE OPTION TABLE.....	18
2.1.4 SYSTEM REGISTER	19
2.2 ACCUMULATOR.....	22
2.3 PROGRAM FLAG	23
2.3.1 RESET FLAG.....	23
2.3.2 CARRY FLAG	23
2.3.3 DECIMAL CARRY FLAG	23
2.3.4 ZERO FLAG.....	23
2.4 PROGRAM COUNTER.....	24
2.4.1 ONE ADDRESS SKIPPING	24
2.4.2 MULTI-ADDRESS JUMPING.....	25
2.5 ADDRESSING MODE.....	26
2.5.1 IMMEDIATE ADDRESSING MODE	26
2.5.2	26
2.5.3 DIRECTLY ADDRESSING MODE	26
2.5.4	26
2.5.5 INDIRECTLY ADDRESSING MODE	26
2.6 STACK OPERATIONS.....	27
2.6.1 OVERVIEW.....	27
2.6.2 STACK REGISTERS	28
2.6.3 STACK OPERATION EXAMPLE	29

3	RESET	30
3.1	OVERVIEW	30
3.2	EXTERNAL RESET DESCRIPTION	31
3.3	LOW VOLTAGE DETECTOR (LVD) DESCRIPTION	32
4	OSCILLATOR AND SYSTEM CLOCK.....	33
4.1	OVERVIEW	33
4.2	CLOCK BLOCK DIAGRAM	33
4.3	OSCM REGISTER DESCRIPTION	34
4.4	EXTERNAL SYSTEM OSCILLATOR CIRCUITS	35
4.4.1	OSCILLATOR FREQUENCY MEASUREMENT	36
4.4.2	INTERNAL LOW-SPEED RC OSCILLATOR	37
5	SYSTEM OPERATION MODE	38
5.1	OVERVIEW	38
5.2	NORMAL MODE	38
5.3	SLOW MODE	38
5.4	GREEN MODE	38
5.5	POWER DOWN MODE	38
5.6	SYSTEM MODE CONTROL	39
5.6.1	SYSTEM MODE SWITCHING	40
5.7	WAKEUP	42
5.7.1	OVERVIEW	42
5.7.2	WAKEUP TIME	42
5.7.3	P1W WAKEUP CONTROL REGISTER	42
6	INTERRUPT.....	43
6.1	OVERVIEW	43
6.2	INTEN INTERRUPT ENABLE REGISTER	43
6.3	INTRQ INTERRUPT REQUEST REGISTER	44
6.4	INTERRUPT OPERATION DESCRIPTION	44

6.4.1	GIE GLOBAL INTERRUPT OPERATION	44
6.4.2	INT0 (P0.0) INTERRUPT OPERATION	45
6.4.3	T0 INTERRUPT OPERATION	46
6.4.4	TC0 INTERRUPT OPERATION.....	47
6.4.5	MULTI-INTERRUPT OPERATION.....	48

7

I/O PORT	49
-----------------------	-----------

7.1	I/O PORT MODE.....	49
7.2	I/O PULL UP REGISTER	50
7.3	I/O OPEN-DRAIN REGISTER.....	50
7.4	I/O PORT DATA REGISTER.....	51

8

TIMERS.....	52
--------------------	-----------

8.1	WATCHDOG TIMER.....	52
8.2	TIMER 0 (T0)	53
8.2.1	OVERVIEW.....	53
8.2.2	T0M MODE REGISTER	53
8.2.3	T0C COUNTING REGISTER.....	54
8.3	TIMER/COUNTER 0 (TC0)	55
8.3.1	OVERVIEW.....	55
8.3.2	TC0M MODE REGISTER	56
8.3.3	TC0C COUNTING REGISTER	57
8.4	BUZZER OUTPUT	58
8.4.1	TC0OUT FREQUENCY TABLE	59
8.5	PWM FUNCTION DESCRIPTION.....	61
8.5.1	OVERVIEW.....	61
8.5.2	PWM PROGRAM DESCRIPTION	62

9

INSTRUCTION SET TABLE.....	63
-----------------------------------	-----------

10

ELECTRICAL CHARACTERISTIC.....	64
---------------------------------------	-----------

10.1	ABSOLUTE MAXIMUM RATING	64
------	-------------------------------	----

10.2	ELECTRICAL CHARACTERISTIC.....	64
------	--------------------------------	----

11

PACKAGE INFORMATION.....	65
---------------------------------	-----------

11.1	P-DIP 14 PIN.....	65
11.2	SOP 14 PIN.....	66
11.3	SSOP 16 PIN	67

1 PRODUCT OVERVIEW

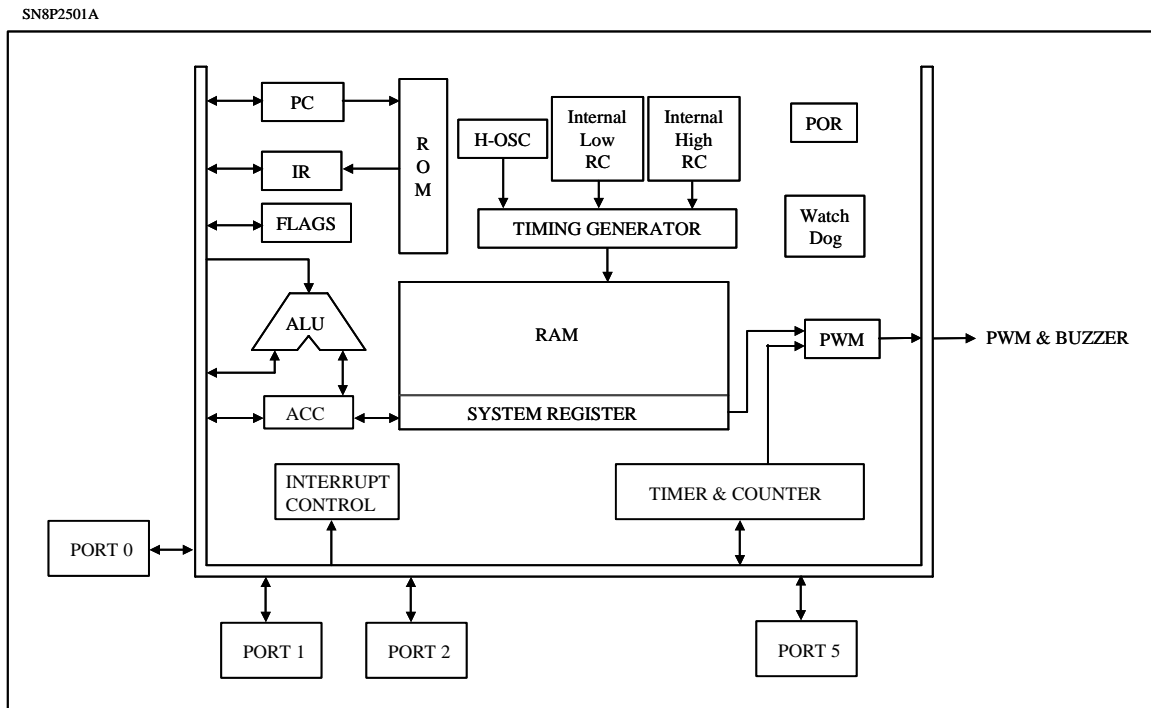
FEATURES

- ◆ **Memory configuration**
OTP ROM size: 1K * 16 bits.
RAM size: 48 * 8 bits.
- ◆ **Four levels stack buffer.**
- ◆ **I/O pin configuration**
Input only: P1.1.
Bi-directional: P0, P1, P2, P5.
Wakeup: P0, P1.
Pull-up resistors: P0, P1, P2, P5.
External interrupt: P0.
One pin with open-drain: P1.0.
- ◆ **3 interrupt sources**
Two internal interrupts: T0, TC0.
One external interrupts: INT0.
- ◆ **Powerful instructions**
One clock per machine cycle
Most of instructions are one cycle only.
All ROM area JMP instruction.
All ROM area lookup table function (MOVC)
- ◆ **One channel PWM output. (PWM0)**
- ◆ **One channel Buzzer output. (BZ0)**
- ◆ **Two 8-bit timer counters. (T0, TC0).**
- ◆ **One RTC timer. (T0)**
- ◆ **On chip watchdog timer.**
- ◆ **Three system clocks**
External high clock: RC type up to 10 MHz
External high clock: Crystal type up to 16 MHz
Internal low clock: RC type 16KHz(3V), 32KHz(5V)
Internal high clock: 16MHz RC type.
- ◆ **Four operating modes**
Normal mode: Both high and low clock active
Slow mode: Low clock only
Sleep mode: Both high and low clock stop
Green mode: Periodical wakeup by T0 Timer
- ◆ **Package (Chip form support)**
PDIP 14 pins
SOP 14 pins
SSOP 16 pins

FEATURES TABLE

CHIP	ROM	RAM	Stack	Timer		RTC	I/O	Green Mode	PWM	Wakeup Pin No.	Package
				T0	TC0				Buzzer		
SN8P2501A	1K*16	48	4	V	V	V	12	V	V	5	DIP14/SOP14/SSOP16
SN8P1602B	1K*16	48	4	-	V	-	14	V	-	6	DIP18/SOP18/SSOP20
SN8P2602A	1K*16	48	4	V	V	-	15	V	V	7	DIP18/SOP18/SSOP20

1.1 SYSTEM BLOCK DIAGRAM



1.2 PIN ASSIGNMENT

SN8P2501AP (P-DIP 14 pins)
SN8P2501AS (SOP 14 pins)
SN8P2501AX (SSOP 16 pins)

P2.2	1	U	14	P2.3
P2.1	2		13	P2.4
P2.0	3		12	P2.5
VDD	4		11	VSS
XIN/P1.3	5		10	P0.0/INT0
XOUT/P1.2	6		9	P1.0
VPP/RST/P1.1	7		8	P5.4/PWM0/BZ0

SN8P2501AP
SN8P2501AS

P2.2	1	U	16	P2.3
P2.1	2		15	P2.4
P2.0	3		14	P2.5
VDD	4		13	VSS
VDD	5		12	VSS
XIN/P1.3	6		11	P0.0/INT0
XOUT/P1.2	7		10	P1.0
VPP/RST/P1.1	8		9	P5.4/PWM0/BZ0

SN8P2501AX

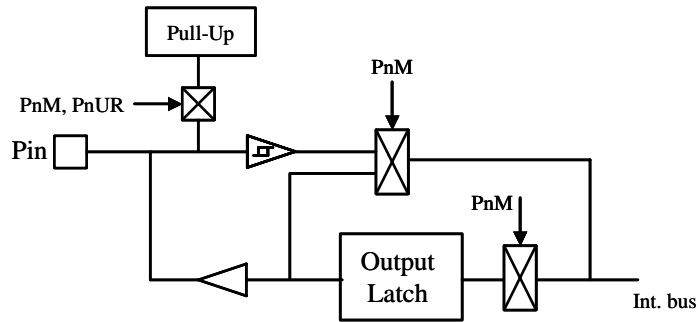
1.3 PIN DESCRIPTIONS

➤ SN8P2501A

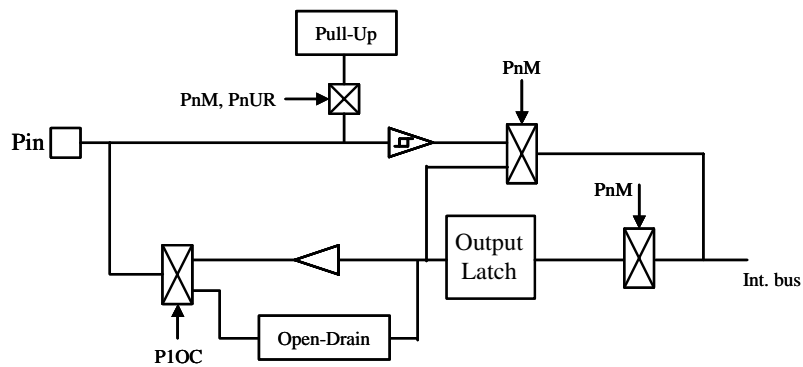
PAD NAME	TYPE	DESCRIPTION
VDD, VSS	P	Power supply input pins. Place the 0.1μF bypass capacitor between the VDD and VSS pin.
P1.1/RST/VPP	I, P	P1.1: Input only pin (Schmitt trigger) if disable external reset function. P1.1 without build-in pull-up resistor RST: System reset input pin. Schmitt trigger structure, low active, normal stay to "high". VPP: OTP programming pin.
P1.3/XIN	I/O	P1.3: I/O pin (Schmitt trigger) if high clock select internal high RC oscillator / Built-in pull-up resistor. XIN: Oscillator input pin if high clock select external oscillator (crystal or RC type).
P1.2/XOUT	I/O	P1.2: I/O pin (Schmitt trigger) if high clock select internal high RC oscillator or external RC type oscillator / Built-in pull-up resistor. XOUT: Oscillator output pin if high clock select external crystal type oscillator.
P0.0/INT0	I/O	P0.0: I/O pin (Schmitt trigger) and shared with INT0 trigger pin (Schmitt trigger) / Built-in pull-up resistor. TC0 event counter clock input pin.
P1.0	I/O	Port 1.0 bi-direction pin (Schmitt trigger) / Built-in pull-up resistor / Open-Drain pin.
P5.4/BZ0/PWM0	I/O	Port 5.4 bi-direction pin (Schmitt trigger) / Built-in pull-up resistor. TC0 ÷ 2 signal output pin for buzzer and PWM output pin.
P2.0~P2.5	I/O	Port 2.0~Port 2.5 bi-direction pins (Schmitt trigger) / Built-in pull-up resistors.

1.4 PIN CIRCUIT DIAGRAMS

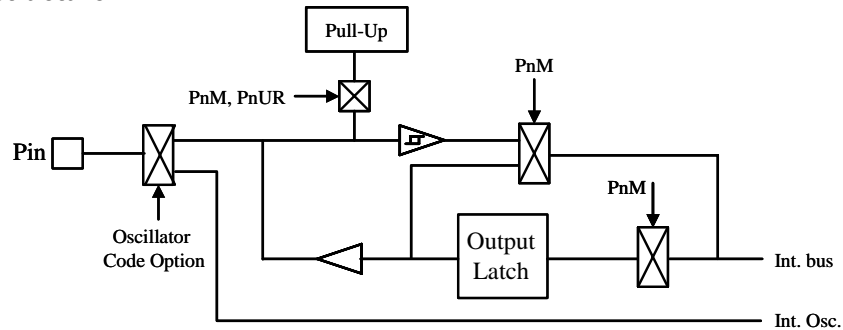
Port 0, 2, 5 structure:



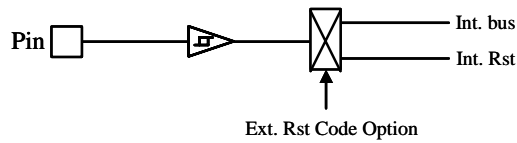
Port 1.0 structure:



Port 1.2 and Port 1.3 structure:



Port 1.1 structure:

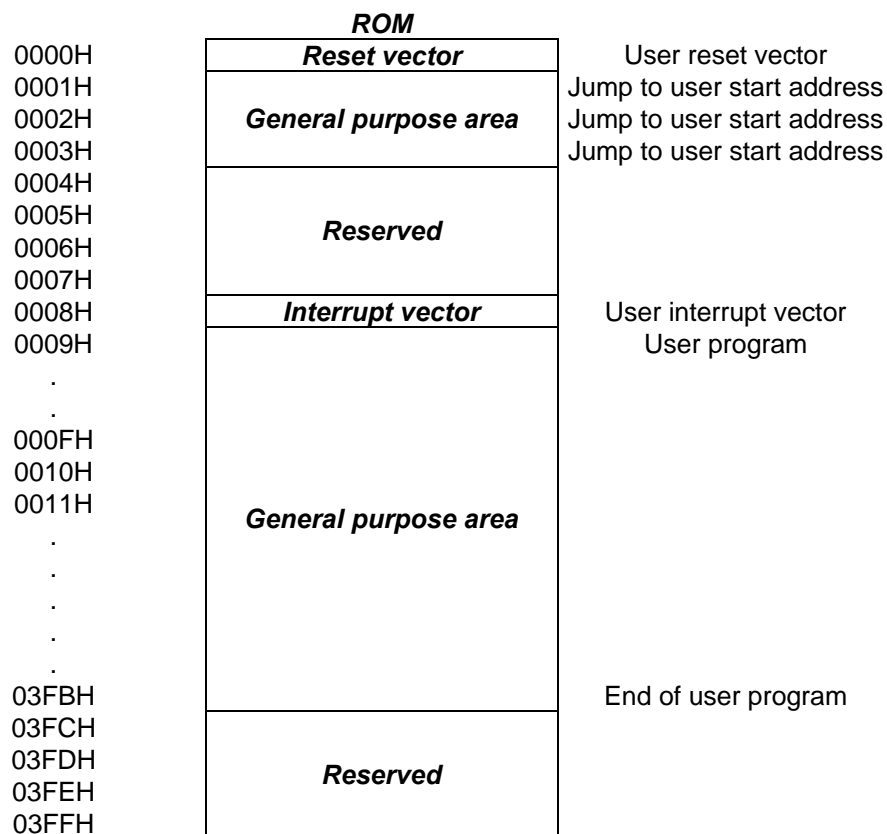


2 CENTRAL PROCESSOR UNIT (CPU)

2.1 MEMORY MAP

2.1.1 PROGRAM MEMORY (ROM)

➤ 1K words ROM



USER RESET VECTOR ADDRESS (0000H)

A one-word vector address area is used to execute system reset. After power on reset or watchdog timer overflow reset, then the chip will restart the program from address 0000h and all system registers will be set as default values. The following example shows the way to define the reset vector in the program memory.

⇒ **Programming Tip: Defining Reset Vector**

CHIP SN8P2501A

```

ORG      0          ; 0000H
JMP      START    ; Jump to user program address.
.          ; 0004H ~ 0007H are reserved

START:   ORG      10H          ; 0010H, The head of user program.
.          ; User program
.
.
ENDP                    ; End of program

```

INTERRUPT VECTOR ADDRESS (0008H)

A 1-word vector address area is used to execute interrupt request. If any interrupt service executes, the program counter (PC) value is stored in stack buffer and jump to 0008h of program memory to execute the vectored interrupt. Users have to define the interrupt vector. The following example shows the way to define the interrupt vector in the program memory.

Programming Tip: Defining Interrupt Vector (Example 1)

CHIP SN8P2501A

```

.DATA      ACCBUF
          PFLAGBUF

.CODE

ORG      0          ; 0000H
JMP      START    ; Jump to user program address.
.          ; 0004H ~ 0007H are reserved

ORG      8          ; Interrupt service routine
B0XCH     A, ACCBUF  ; B0XCH doesn't change C, Z flag
B0MOV     A, PFLAG
B0MOV     PFLAGBUF, A ; Save PFLAG register in a buffer
.
.
B0MOV     A, PFLAGBUF
B0MOV     PFLAG, A   ; Restore PFLAG register from buffer
B0XCH     A, ACCBUF  ; B0XCH doesn't change C, Z flag
RETI     ; End of interrupt service routine

START:   ; The head of user program.
.          ; User program
.
JMP      START    ; End of user program

ENDP                    ; End of program

```

Programming Tip: Defining Interrupt Vector (Example 2)**CHIP SN8P2501A**

```

.DATA      ACCBUF
           PFLAGBUF

.CODE

           ORG      0           ; 0000H
           JMP      START       ; Jump to user program address.
           .                   ; 0001H ~ 0007H are reserved

           ORG      08
           JMP      MY_IRQ     ; 0008H, Jump to interrupt service routine address

START:   ORG      10H         ; 0010H, The head of user program.
           .                   ; User program
           .
           .
           JMP      START     ; End of user program

MY_IRQ: ; The head of interrupt service routine
           B0XCH   A, ACCBUF   ; B0XCH doesn't change C, Z flag
           B0MOV   A, PFLAG
           B0MOV   PFLAGBUF, A ; Save PFLAG register in a buffer
           .
           .
           B0MOV   A, PFLAGBUF ; Restore PFLAG register from buffer
           B0MOV   PFLAG, A   ; B0XCH doesn't change C, Z flag
           B0XCH   A, ACCBUF
           RETI              ; End of interrupt service routine

           ENDP              ; End of program

```

➤ **Remark: It is easy to understand the rules of SONiX program from demo programs given above. These points are as following:**

1. **The address 0000H is a "JMP" instruction to make the program starts from the beginning.**
2. **The 0004H~0007H are reserved. Users is NOT allow to use 0004H~0007H addresses. We strongly suggest users DO NOT take this value into the Check Sum. For detailed information, please check the following Checksum Calculation section.**

CHECKSUM CALCULATION

The ROM addresses 0004H~0007H and last address are reserved area. User should avoid these addresses (0004H~0007H and last address) when calculate the Checksum value.

➔ **Example:**

The demo program shows how to avoid 0004H~0007H when calculated Checksum from 00H to the end of user's code

```

MOV      A,#END_USER_CODE$L
B0MOV   END_ADDR1,A      ;save low end address to end_addr1
MOV      A,#END_USER_CODE$M
B0MOV   END_ADDR2,A      ;save middle end address to end_addr2
CLR     Y                  ;set Y to 00H
CLR     Z                  ;set Z to 00H

@@:
CALL    YZ_CHECK          ;call function of check yz value
MOVC
B0BSET  FC                ;clear C flag
ADD     DATA1,A          ;add A to Data1
MOV     A,R
ADC     DATA2,A          ;add R to Data2
JMP     END_CHECK         ;check if the YZ address = the end of code

AAA:
INCMS   Z                  ;Z=Z+1
JMP     @B                 ;if Z!= 00H calculate to next address
JMP     Y_ADD_1           ;if Z=00H increase Y

END_CHECK:
MOV     A,END_ADDR1
CMPRS   A,Z                ;check if Z = low end address
JMP     AAA               ;if Not jump to checksum calculate
MOV     A,END_ADDR2
CMPRS   A,Y                ;if Yes, check if Y = middle end address
JMP     AAA               ;if Not jump to checksum calculate
JMP     CHECKSUM_END      ;if Yes checksum calculated is done.
;check if YZ=0004H

YZ_CHECK:
MOV     A,#04H
CMPRS   A,Z                ;check if Z=04H
RET     ;if Not return to checksum calculate
MOV     A,#00H
CMPRS   A,Y                ;if Yes, check if Y=00H
RET     ;if Not return to checksum calculate
;if Yes, increase 4 to Z
INCMS   Z
INCMS   Z
INCMS   Z
INCMS   Z
RET     ;set YZ=0008H then return

Y_ADD_1:
INCMS   Y                  ;increase Y
NOP
JMP     @B                 ;jump to checksum calculate

CHECKSUM_END:
.....
.....

END_USER_CODE:           ;Label of program end

```

GENERAL PURPOSE PROGRAM MEMORY AREA

The ROM location 0009H~03FBH are used as general-purpose memory. The area is to store both instruction's op-code and look-up table data. The SN8P2501A includes jump table function by using program counter (PC) and look-up table function by using ROM code registers (R, Y, Z).

LOOK-UP TABLE DESCRIPTION

In the ROM's data lookup function, Y register is pointed to the bit 8~bit 15 and Z register to the bit 0~bit 7 data of ROM address. After MOVC instruction executed, the low-byte data will be stored in ACC and high-byte data stored in R register.

➔ **Example: To look up the ROM data located "TABLE1".**

```

B0MOV    Y, #TABLE1$M    ; To set lookup table1's middle address
B0MOV    Z, #TABLE1$L    ; To set lookup table1's low address.
MOVC     ; To lookup data, R = 00H, ACC = 35H
;
;
; Increment the index address for next address
INCMS   Z             ; Z+1
JMP     @F           ; Not overflow
INCMS   Y             ; Z overflow (FFH → 00), → Y=Y+1
NOP
;
;
@@:      MOVC           ; To lookup data, R = 51H, ACC = 05H.
;
TABLE1:  DW             ; To define a word (16 bits) data.
         DW             ; "
         DW             ; "
         DW             ; "

```

➤ **CAUTION:** The Y register will not increase automatically when Z register crosses boundary from 0xFF to 0x00. Therefore, user must take care such situation to avoid loop-up table errors. If Z register overflows, Y register must be added one. The following INC_YZ macro shows a simple method to process Y and Z registers automatically.

➔ **Example: INC_YZ Macro**

```

INC_YZ   MACRO
         INCMS   Z           ; Z+1
         JMP     @F         ; Not overflow
;
         INCMS   Y           ; Y+1
         NOP          ; Not overflow
@@:
         ENDM

```

The other example of loop-up table is to add Y or Z index register by accumulator. Please be careful if “carry” happen.

➔ **Example: Increase Y and Z register by B0ADD/ADD instruction**

```
B0MOV    Y, #TABLE1$M    ; To set lookup table's middle address.
B0MOV    Z, #TABLE1$L    ; To set lookup table's low address.
```

```
B0MOV    A, BUF          ; Z = Z + BUF.
B0ADD    Z, A
```

```
B0BTS1   FC              ; Check the carry flag.
JMP      GETDATA        ; FC = 0
INCMS    Y               ; FC = 1. Y+1.
NOP
```

```
GETDATA:
MOV      MOV              ;
                ; To lookup data. If BUF = 0, data is 0x0035
                ; If BUF = 1, data is 0x5105
                ; If BUF = 2, data is 0x2012
```

```
TABLE1:
        .
        DW    0035H    ; To define a word (16 bits) data.
        DW    5105H    ; “
        DW    2012H    ; “
```


JUMP TABLE DESCRIPTION

The jump table operation is one of multi-address jumping function. Add low-byte program counter (PCL) and ACC value to get one new PCL. The new program counter (PC) points to a series jump instructions as a listing table. It is easy to make a multi-jump program depends on the value of the accumulator (A).

➔ Example :

```

ORG      0X0100      ; The jump table is from the head of the ROM boundary

B0ADD    PCL, A      ; PCL = PCL + ACC, the PCH can't be changed.
JMP      A0POINT    ; ACC = 0, jump to A0POINT
JMP      A1POINT    ; ACC = 1, jump to A1POINT
JMP      A2POINT    ; ACC = 2, jump to A2POINT
JMP      A3POINT    ; ACC = 3, jump to A3POINT

```

SONiX provides a macro for safe jump table function. This macro will check the ROM boundary and move the jump table to the right position automatically. The side effect of this macro maybe wastes some ROM size.

```

@JMP_A   MACRO      VAL
IF      (($+1) !& 0XFF00) != (($+(VAL)) !& 0XFF00)
JMP     ($ | 0XFF)
ORG     ($ | 0XFF)
ENDIF
ADD     PCL, A
ENDM

```

➤ **Note:** “VAL” is the number of the jump table listing number.

➔ Example: “@JMP_A” application in SONiX macro file called “MACRO3.H”.

```

B0MOV    A, BUF0    ; “BUF0” is from 0 to 4.
@JMP_A  5           ; The number of the jump table listing is five.
JMP     A0POINT    ; If ACC = 0, jump to A0POINT
JMP     A1POINT    ; ACC = 1, jump to A1POINT
JMP     A2POINT    ; ACC = 2, jump to A2POINT
JMP     A3POINT    ; ACC = 3, jump to A3POINT
JMP     A4POINT    ; ACC = 4, jump to A4POINT

```

If the jump table position is from 00FDH to 0101H, the “@JMP_A” macro will make the jump table to start from 0100h.

2.1.2 DATA MEMORY (RAM)

- 48 X 8-bit RAM

		<i>RAM location</i>		
BANK 0	Address			
	000h	General purpose area		
	“			
	“			
	“			
	“			
	02Fh			
	080h	System register	80h~FFh of Bank 0 store system registers (128 bytes).	
	“			
	“			
	“			
	“			
0FFh	End of bank 0 area			

2.1.3 CODE OPTION TABLE

Code Option	Content	Function Description
High_Clk	RC	Low cost RC for external high clock oscillator and XOUT becomes to general purpose I/O (P1.2).
	32K X'tal	Low frequency, power saving crystal (e.g. 32.768KHz) for external high clock oscillator.
	12M X'tal	High speed crystal /resonator (e.g. 12MHz) for external high clock oscillator.
	4M X'tal	Standard crystal /resonator (e.g. 4M) for external high clock oscillator.
	IHRC_16M	Internal high RC 16MHz and external oscillator pins as general purpose I/O (XIN to P1.3, XOUT to P1.2).
	IHRC_RTC	Internal high RC 16MHz with RTC function and external oscillator pins connect with 32.768KHz crystal to generating real time clock.
Watch_Dog	Always_On	Watchdog timer always on even in power down and green mode.
	Enable	Enable watchdog timer. Watchdog timer stops in power down mode and green mode.
	Disable	Disable Watchdog function.
Fcpu	Fosc/1	Instruction cycle is oscillator clock. Notice: In Fosc/1, Low Power must be disabled
	Fosc/2	Instruction cycle is 2 oscillator clocks. Notice: In Fosc/2 Low Power must be disabled
	Fosc/4	Instruction cycle is 4 oscillator clocks.
	Fosc/8	Instruction cycle is 8 oscillator clocks.
	Fosc/16	Instruction cycle is 16 oscillator clocks.
	Fosc/32	Instruction cycle is 32 oscillator clocks.
	Fosc/64	Instruction cycle is 64 oscillator clocks.
16M_IHRC	-2MHz	Internal high RC 16MHz typical frequency - 2MHz.
	-1MHz	Internal high RC 16MHz typical frequency -1MHz.
	Normal	Internal high RC 16MHz typical frequency.
	+1MHz	Internal high RC 16MHz typical frequency + 1MHz.
	+2MHz	Internal high RC 16MHz typical frequency + 2MHz.
Reset_Pin	Reset	Enable External reset pin.
	P11	Enable P1.1 input only without pull-up resistor.
Security	Enable	Enable ROM code Security function.
	Disable	Disable ROM code Security function.
Low Power	Enable	Enable Low Power function to save Operating current.
	Disable	Normal.
Noise_Filter	Enable	Enable Noise Filter and the Fcpu is Fosc/4~Fosc/64.
	Disable	Disable Noise Filter and the Fcpu is Fosc/1~Fosc/64.

Notice:

- **If users define watchdog as "Always_On", assembler will Enable "Watch_Dog" automatically.**
- **Enable "Low Power" option will reduce operating current except in "High_Clk = 32K X'tal" and slow mode.**
- **Enable "Low Power" will limit the Fcpu = Fosc/4 ~ Fosc/64.**
- **Enable "Noise_Filter" will limit the Fcpu = Fosc/4 ~ Fosc/64.**
- **Fcpu code option is only available for High Clock.**

2.1.4 SYSTEM REGISTER

BYTES of SYSTEM REGISTER

➤ **SN8P2501A**

	0	1	2	3	4	5	6	7	8	9	A	B	C	D	E	F
8	-	-	R	Z	Y	-	PFLAG	-	OPTION	-	-	-	-	-	-	-
9	-	-	-	-	-	-	-	-	-	-	-	-	-	-	-	-
A	-	-	-	-	-	-	-	-	-	-	-	-	-	-	-	-
B	-	-	-	-	-	-	-	-	P0M	-	-	-	-	-	-	PEDGE
C	P1W	P1M	P2M	-	-	P5M	-	-	INTRQ	INTEN	OSCM	-	WDTR	TC0R	PCL	PCH
D	P0	P1	P2	-	-	P5	-	-	T0M	T0C	TC0M	TC0C	-	-	-	STKP
E	P0UR	P1UR	P2UR	-	-	P5UR	-	@YZ	-	P1OC	-	-	-	-	-	-
F	-	-	-	-	-	-	-	-	STK3L	STK3H	STK2L	STK2H	STK1L	STK1H	STK0L	STK0H

Description

PFLAG = ROM page and special flag register.
P1W = Port 1 wakeup register.
PEDGE = P0.0 edge direction register.
PnM = Port n input/output mode register.
P1OC = Port 1 open-drain control register.
INTRQ = Interrupt request register.
OSCM = Oscillator mode register.
T0M = T0 mode register.
TC0M = TC0 mode register.
TC0R = TC0 auto-reload data buffer.
STKP = Stack pointer buffer.
@YZ = RAM YZ indirect addressing index pointer.

R = Working register and ROM look-up data buffer.
Y, Z = Working, @YZ and ROM addressing register.
OPTION = RTC period selection register.
Pn = Port n data buffer.
PnUR = Port n pull-up resistor control register.
INTEN = Interrupt enable register.
PCH, PCL = Program counter.
T0C = TC0 counting register.
TC0C = TC0 counting register.
WDTR = Watchdog timer clear register.
STK0-STK3 = Stack 0 ~ stack 3 buffer.

BITS of SYSTEM REGISTER

 ➤ **SN8P2501A system register table**

Address	Bit7	Bit6	Bit5	Bit4	Bit3	Bit2	Bit1	Bit0	R/W	Remarks
082H	RBIT7	RBIT6	RBIT5	RBIT4	RBIT3	RBIT2	RBIT1	RBIT0	R/W	R
083H	ZBIT7	ZBIT6	ZBIT5	ZBIT4	ZBIT3	ZBIT2	ZBIT1	ZBIT0	R/W	Z
084H	YBIT7	YBIT6	YBIT5	YBIT4	YBIT3	YBIT2	YBIT1	YBIT0	R/W	Y
086H	NT0	NPD	-	-	-	C	DC	Z	R/W	PFLAG
088H	-	-	-	-	RTC1	RTC0	-	-	R/W	OPTION
0B8H	-	-	-	-	-	-	-	P00M	R/W	P0M
0BFH	-	-	-	P00G1	P00G0	-	-	-	R/W	PEDGE
0C0H	-	-	-	-	P13W	P12W	P11W	P10W	W	P1W wakeup register
0C1H	-	-	-	-	P13M	P12M	-	P10M	R/W	P1M I/O direction
0C2H	-	-	P25M	P24M	P23M	P22M	P21M	P20M	R/W	P2M I/O direction
0C5H	-	-	-	P54M	-	-	-	-	R/W	P5M I/O direction
0C8H	-	-	TC0IRQ	T0IRQ	-	-	-	P00IRQ	R/W	INTRQ
0C9H	-	-	TC0IEN	T0IEN	-	-	-	P00IEN	R/W	INTEN
0CAH	0	0	0	CPUM1	CPUM0	CLKMD	STPHX	0	R/W	OSCM
0CCH	WDTR7	WDTR6	WDTR5	WDTR4	WDTR3	WDTR2	WDTR1	WDTR0	W	WDTR
0CDH	TC0R7	TC0R6	TC0R5	TC0R4	TC0R3	TC0R2	TC0R1	TC0R0	W	TC0R
0CEH	PC7	PC6	PC5	PC4	PC3	PC2	PC1	PC0	R/W	PCL
0CFH	-	-	-	-	-	-	PC9	PC8	R/W	PCH
0D0H	-	-	-	-	-	-	-	P00	R/W	P0 data buffer
0D1H	-	-	-	-	P13	P12	P11	P10	R/W	P1 data buffer
0D2H	-	-	P25	P24	P23	P22	P21	P20	R/W	P2 data buffer
0D5H	-	-	-	P54	-	-	-	-	R/W	P5 data buffer
0D8H	T0ENB	T0rate2	T0rate1	T0rate0	-	-	-	T0TB	R/W	T0M
0D9H	T0C7	T0C6	T0C5	T0C4	T0C3	T0C2	T0C1	T0C0	R/W	T0C
0DAH	TC0ENB	TC0rate2	TC0rate1	TC0rate0	TC0CKS	ALOAD0	TC0OUT	PWM0OUT	R/W	TC0M
0DBH	TC0C7	TC0C6	TC0C5	TC0C4	TC0C3	TC0C2	TC0C1	TC0C0	R/W	TC0C
0DFH	GIE	-	-	-	-	STKPB2	STKPB1	STKPB0	R/W	STKP stack pointer
0E0H	-	-	-	-	-	-	-	P00R	W	P0 pull-up register
0E1H	-	-	-	-	P13R	P12R	-	P10R	W	P1 pull-up register
0E2H	-	-	P25R	P24R	P23R	P22R	P21R	P20R	W	P2 pull-up register
0E5H	-	-	-	P54R	-	-	-	-	W	P5 pull-up register
0E7H	@YZ7	@YZ6	@YZ5	@YZ4	@YZ3	@YZ2	@YZ1	@YZ0	R/W	@YZ index pointer
0E9H	-	-	-	-	-	-	-	P10OC	W	P10Copen-drain
0F8H	S3PC7	S3PC6	S3PC5	S3PC4	S3PC3	S3PC2	S3PC1	S3PC0	R/W	STK3L
0F9H	-	-	-	-	-	-	S3PC9	S3PC8	R/W	STK3H
0FAH	S2PC7	S2PC6	S2PC5	S2PC4	S2PC3	S2PC2	S2PC1	S2PC0	R/W	STK2L
0FBH	-	-	-	-	-	-	S2PC9	S2PC8	R/W	STK2H
0FCH	S1PC7	S1PC6	S1PC5	S1PC4	S1PC3	S1PC2	S1PC1	S1PC0	R/W	STK1L
0FDH	-	-	-	-	-	-	S1PC9	S1PC8	R/W	STK1H
0FEH	S0PC7	S0PC6	S0PC5	S0PC4	S0PC3	S0PC2	S0PC1	S0PC0	R/W	STK0L
0FFH	-	-	-	-	-	-	S0PC9	S0PC8	R/W	STK0H

 ➤ **Note**

- a): To avoid system error, please be sure to put all the "0" and "1" as it indicates in the above table
- b). All of register names had been declared in SN8ASM assembler.
- c). One-bit name had been declared in SN8ASM assembler with "F" prefix code.
- d). "b0bset", "b0bclr", "bset", "bclr" instructions are only available to the "R/W" registers.
- e). For detail description, please refer to the "System Register Quick Reference Table"

Y, Z REGISTERS

The Y and Z registers are the 8-bit buffers. There are three major functions of these registers.

- can be used as general working registers
- can be used as RAM data pointers with @YZ register
- can be used as ROM data pointer with the MOVC instruction for look-up table

084H	Bit 7	Bit 6	Bit 5	Bit 4	Bit 3	Bit 2	Bit 1	Bit 0
Y	YBIT7	YBIT6	YBIT5	YBIT4	YBIT3	YBIT2	YBIT1	YBIT0
Read/Write	R/W	R/W	R/W	R/W	R/W	R/W	R/W	R/W
After reset	0	0	0	0	0	0	0	0

083H	Bit 7	Bit 6	Bit 5	Bit 4	Bit 3	Bit 2	Bit 1	Bit 0
Z	ZBIT7	ZBIT6	ZBIT5	ZBIT4	ZBIT3	ZBIT2	ZBIT1	ZBIT0
Read/Write	R/W	R/W	R/W	R/W	R/W	R/W	R/W	R/W
After reset	0	0	0	0	0	0	0	0

⇒ **Example:** uses YZ register as the data pointer to access data in the RAM address 025H of bank0.

```
B0MOV    Y, #00H        ; To set RAM bank 0 for Y register
B0MOV    Z, #25H        ; To set location 25H for Z register
B0MOV    A, @YZ         ; To read a data into ACC
```

⇒ **Example:** uses the YZ register as data pointer to clear the RAM data

```
B0MOV    Y, #0          ; Y = 0, bank 0
B0MOV    Z, #07FH       ; Y = 7FH, the last address of the data memory area
```

CLR_YZ_BUF:

```
CLR      @YZ            ; Clear @YZ to be zero

DECMS    Z              ; Z - 1, if Z= 0, finish the routine
JMP      CLR_YZ_BUF     ; Not zero
```

```
CLR      @YZ
```

END_CLR: ; End of clear general purpose data memory area of bank 0

R REGISTERS

R register is an 8-bit buffer. There are two major functions of the register.

- can be used as working register
- for store high-byte data of look-up table
(MOVC instruction executed, the high-byte data of specified ROM address will be stored in R register and the low-byte data will be stored in ACC).

082H	Bit 7	Bit 6	Bit 5	Bit 4	Bit 3	Bit 2	Bit 1	Bit 0
R	RBIT7	RBIT6	RBIT5	RBIT4	RBIT3	RBIT2	RBIT1	RBIT0
Read/Write	R/W	R/W	R/W	R/W	R/W	R/W	R/W	R/W
After reset	0	0	0	0	0	0	0	0

➤ **Note:** Please refer to the "LOOK-UP TABLE DESCRIPTION" about R register look-up table application.

2.2 ACCUMULATOR

The ACC is an 8-bit data register responsible for transferring or manipulating data between ALU and data memory. If the result of operating is zero (Z) or there is carry (C or DC) occurrence, then these flags will be set to PFLAG register.

ACC is not in data memory (RAM), so ACC can't be access by "B0MOV" instruction during the instant addressing mode.

➤ **Example: Read and write ACC value.**

; Read ACC data and store in BUF data memory

```
MOV     BUF, A
```

; Write a immediate data into ACC

```
MOV     A, #0FH
```

; Write ACC data from BUF data memory

```
MOV     A, BUF
```

The system doesn't store ACC and PFLAG value when interrupt executed. ACC and PFLAG data must be saved to other data memories.

➤ **Example: Protect ACC and working registers.**

```
ACCBUF EQU 00H ; ACCBUF is ACC data buffer.
PFLAGBUF EQU 01H ; PFLAGBUF is PFLAG data buffer.
```

INT_SERVICE:

```

B0XCH  A, ACCBUF ; Store ACC value.
B0MOV  A,PFLAG
B0MOV  PFLAGBUF,A ; Store PFLAG value.
.
.
B0MOV  A,PFLAGBUF ; Re-load PFLAG value.
B0MOV  PFLAG,A
B0XCH  A, ACCBUF ; Re-load ACC value.

RETI ; Exit interrupt service vector
```

➤ **Note: To save and re-load ACC data, users must use "B0XCH" instruction, or else the PFLAG Register might be modified by ACC operation.**

2.3 PROGRAM FLAG

The PFLAG includes carry flag (C), decimal carry flag (DC) and zero flag (Z). If the result of operating is zero or there is carry, borrow occurrence, then these flags will be set to PFLAG register.

086H	Bit 7	Bit 6	Bit 5	Bit 4	Bit 3	Bit 2	Bit 1	Bit 0
PFLAG	NT0	NPD	-	-	-	C	DC	Z
Read/Write	R/W	R/W	-	-	-	R/W	R/W	R/W
After reset	-	-	-	-	-	0	0	0

2.3.1 RESET FLAG

NT0	NPD	Reset Status
0	0	Watch-dog time out
0	1	Reserved
1	0	Reset by LVD
1	1	Reset by external Reset Pin

2.3.2 CARRY FLAG

C = 1: When executed arithmetic addition with overflow or executed arithmetic subtraction without borrow or executed rotation instruction with logic "1" shifting out.

C = 0: When executed arithmetic addition without overflow or executed arithmetic subtraction with borrow or executed rotation instruction with logic "0"

2.3.3 DECIMAL CARRY FLAG

DC = 1: If executed arithmetic addition with overflow of low nibble or executed arithmetic subtraction without borrow of low nibble.

DC = 0: If executed arithmetic addition without overflow of low nibble or executed arithmetic subtraction with borrow of low nibble.

2.3.4 ZERO FLAG

Z = 1: When the content of ACC or target memory is zero after executing instructions involving a zero flag.

Z = 0: When the content of ACC or target memory is not zero after executing instructions involving a zero flag.

2.4 PROGRAM COUNTER

The program counter (PC) is a 10-bit binary counter separated into the high-byte 2 and the low-byte 8 bits. This counter is responsible for pointing a location in order to fetch an instruction for kernel circuit. Normally, the program counter is automatically incremented with each instruction during program execution.

Besides, it can be replaced with specific address by executing CALL or JMP instruction. When JMP or CALL instruction is executed, the destination address will be inserted to bit 0 ~ bit 9.

	Bit 15	Bit 14	Bit 13	Bit 12	Bit 11	Bit 10	Bit 9	Bit 8	Bit 7	Bit 6	Bit 5	Bit 4	Bit 3	Bit 2	Bit 1	Bit 0
PC	-	-	-	-	-	-	PC9	PC8	PC7	PC6	PC5	PC4	PC3	PC2	PC1	PC0
After reset	-	-	-	-	-	-	0	0	0	0	0	0	0	0	0	0
	PCH								PCL							

2.4.1 ONE ADDRESS SKIPPING

There are nine instructions (CMPRS, INCS, INCMS, DECS, DECMS, BTS0, BTS1, B0BTS0, B0BTS1) with one address skipping function. If the result of these instructions is true, the PC will add 2 steps to skip next instruction.

If the condition of bit test instruction is true, the PC will add 2 steps to skip next instruction.

```

B0BTS1   FC           ; To skip, if Carry_flag = 1
JMP      C0STEP      ; Else jump to C0STEP.

C0STEP:    .
           NOP

B0MOV    A, BUF0      ; Move BUF0 value to ACC.
B0BTS0   FZ           ; To skip, if Zero flag = 0.
JMP      C1STEP      ; Else jump to C1STEP.

C1STEP:    .
           NOP

```

If the ACC is equal to the immediate data or memory, the PC will add 2 steps to skip next instruction.

```

CMPRS    A, #12H      ; To skip, if ACC = 12H.
JMP      C0STEP      ; Else jump to C0STEP.

C0STEP:    .
           NOP

```

If the destination increased by 1, which results overflow of 0xFF to 0x00, the PC will add 2 steps to skip next instruction.

```

INCS instruction:
INCS     BUF0
JMP      C0STEP      ; Jump to C0STEP if ACC is not zero.

C0STEP:    ...
           NOP

```

INCMS instruction:

```

INCMS      BUF0
  JMP      C0STEP      ; Jump to C0STEP if BUF0 is not zero.
  ...
C0STEP:     NOP

```

If the destination decreased by 1, which results underflow of 0x00 to 0xFF, the PC will add 2 steps to skip next instruction.

DECS instruction:

```

DECS      BUF0
  JMP      C0STEP      ; Jump to C0STEP if ACC is not zero.
  ...
C0STEP:     NOP

```

DECMS instruction:

```

DECMS     BUF0
  JMP      C0STEP      ; Jump to C0STEP if BUF0 is not zero.
  ...
C0STEP:     NOP

```

2.4.2 MULTI-ADDRESS JUMPING

Users can jump around the multi-address by either JMP instruction or ADD M, An instruction (M = PCL) to activate multi-address jumping function. If carry flag occurs after execution of ADD PCL, A, the carry flag will not affect PCH register.

⇒ **Example: If PC = 0323H (PCH = 03H, PCL = 23H)**

```

; PC = 0323H
      MOV      A, #28H
      B0MOV    PCL, A      ; Jump to address 0328H
      .
      .
; PC = 0328H
      .
      .
      MOV      A, #00H
      B0MOV    PCL, A      ; Jump to address 0300H

```

⇒ **Example: If PC = 0323H (PCH = 03H, PCL = 23H)**

```

; PC = 0323H
      B0ADD    PCL, A      ; PCL = PCL + ACC, the PCH cannot be changed.
      JMP      A0POINT    ; If ACC = 0, jump to A0POINT
      JMP      A1POINT    ; ACC = 1, jump to A1POINT
      JMP      A2POINT    ; ACC = 2, jump to A2POINT
      JMP      A3POINT    ; ACC = 3, jump to A3POINT
      .
      .
      ;

```

2.5 ADDRESSING MODE

2.5.1 IMMEDIATE ADDRESSING MODE

The immediate addressing mode uses an immediate data to set up the location (“MOV A, # I”, “B0MOV M, # I”) in ACC or specific RAM.

➔ **Example: Immediate addressing mode**

```
MOV A, #12H ; To set an immediate data 12H into ACC
```

2.5.2

2.5.3 DIRECTLY ADDRESSING MODE

The directly addressing mode moves the content of RAM location in or out of ACC.(“MOV A,12H”, “MOV 12H, A”).

➔ **Example: Directly addressing mode**

```
B0MOV A, 12H ; To get a content of location 12H of bank 0 and save in ACC
```

2.5.4

2.5.5 INDIRECTLY ADDRESSING MODE

The indirectly addressing mode is to access the memory by the data pointer registers (Y/Z).

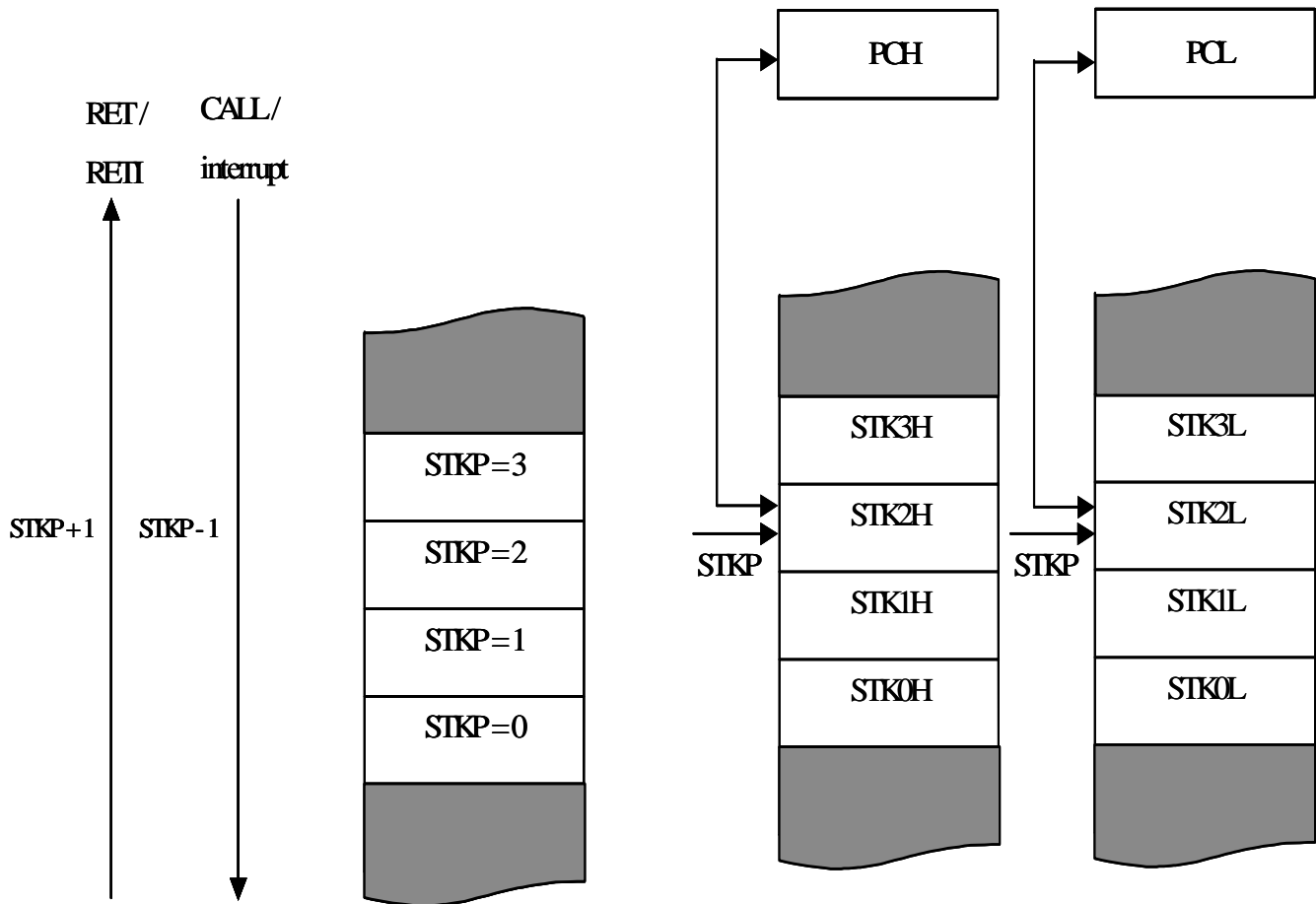
➔ **Example: Indirectly addressing mode with @YZ register**

```
CLR Y ; To clear Y register to access RAM bank 0.
B0MOV Z, #12H ; To set an immediate data 12H into Z register.
B0MOV A, @YZ ; Use data pointer @YZ reads a data from RAM location
; 012H into ACC.
```

2.6 STACK OPERATIONS

2.6.1 OVERVIEW

The stack buffer of SN8P Series MCU has 4-level. These buffers are designed to push and pop up program counter's (PC) data when interrupt service routine is executed. The STKP register is a pointer designed to point active level in order to push or pop up data from stack buffer. The STKnH and STKnL are the stack buffers to store program counter (PC) data.



2.6.2 STACK REGISTERS

The stack pointer (STKP) is a 3-bit register to store the address used to access the stack buffer, 10-bit data memory (STKnH and STKnL) set aside for temporary storage of stack addresses.

The two stack operations are writing to the top of the stack (push) and reading from the top of stack (pop). Push operation decrements the STKP and the pop operation increments each time. That makes the STKP always point to the top address of stack buffer and write the last program counter value (PC) into the stack buffer.

The program counter (PC) value is stored in the stack buffer before a CALL instruction executed or during interrupt service routine. Stack operation is a LIFO type (Last in and first out). The stack pointer (STKP) and stack buffer (STKnH and STKnL) are located in the system register area bank 0.

0DFH	Bit 7	Bit 6	Bit 5	Bit 4	Bit 3	Bit 2	Bit 1	Bit 0
STKP	GIE	-	-	-	-	STKPB2	STKPB1	STKPB0
Read/Write	R/W	-	-	-	-	R/W	R/W	R/W
After reset	0	-	-	-	-	1	1	1

STKPBn: Stack pointer (n = 0 ~ 2)

GIE: Global interrupt control bit. 0 = disable, 1 = enable. Please refer to the interrupt chapter.

➔ **Example: Stack pointer (STKP) reset, we strongly recommended to clear the stack pointers in the beginning of the program.**

```
MOV      A, #00000111B
B0MOV   STKP, A
```

0F0H~0FFH	Bit 7	Bit 6	Bit 5	Bit 4	Bit 3	Bit 2	Bit 1	Bit 0
STKnH	-	-	-	-	-	-	SnPC9	SnPC8
Read/Write	-	-	-	-	-	-	R/W	R/W
After reset	-	-	-	-	-	-	0	0

STKn = <STKnH , STKnL> (n = 3 ~ 0)

0F0H~0FFH	Bit 7	Bit 6	Bit 5	Bit 4	Bit 3	Bit 2	Bit 1	Bit 0
STKnL	SnPC7	SnPC6	SnPC5	SnPC4	SnPC3	SnPC2	SnPC1	SnPC0
Read/Write	R/W	R/W	R/W	R/W	R/W	R/W	R/W	R/W
After reset	0	0	0	0	0	0	0	0

For SN8P2501A : STKn = <STKnH , STKnL> (n = 3 ~ 0)

2.6.3 STACK OPERATION EXAMPLE

The two kinds of Stack-Save operations refer to the stack pointer (STKP) and write the content of program counter (PC) to the stack buffer are CALL instruction and interrupt service. Under each condition, the STKP decreases and points to the next available stack location. The stack buffer stores the program counter about the op-code address. The Stack-Save operation is as the following table.

Stack Level	STKP Register			Stack Buffer		Description
	STKPB2	STKPB1	STKPB0	High Byte	Low Byte	
0	1	1	1	Free	Free	-
1	1	1	0	STK0H	STK0L	-
2	1	0	1	STK1H	STK1L	-
3	1	0	0	STK2H	STK2L	-
4	0	1	1	STK3H	STK3L	-
> 4	0	1	0	-	-	Stack Over, error

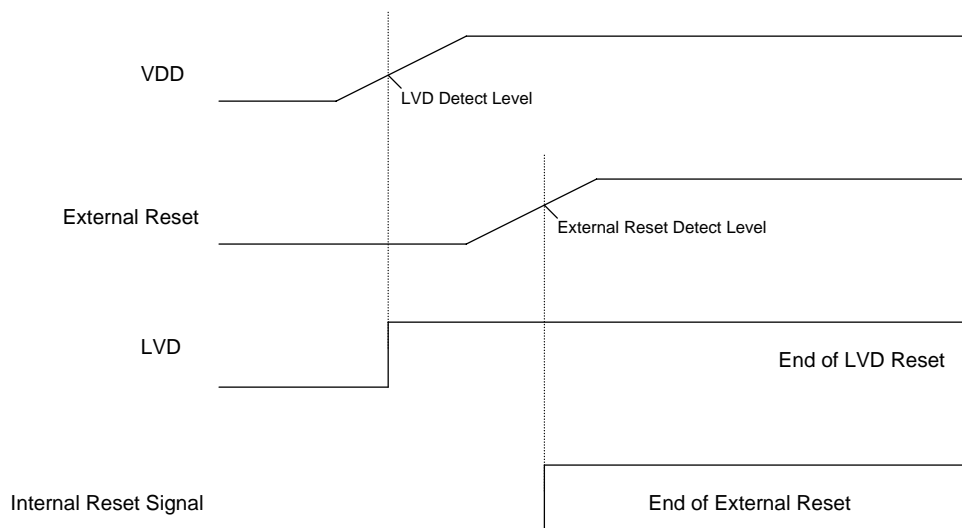
There are Stack-Restore operations correspond to each push operation to restore the program counter (PC). The RETI instruction uses for interrupt service routine. The RET instruction is for CALL instruction. When a pop operation occurs, the STKP is incremented and points to the next free stack location. The stack buffer restores the last program counter (PC) to the program counter registers. The Stack-Restore operation is as the following table.

Stack Level	STKP Register			Stack Buffer		Description
	STKPB2	STKPB1	STKPB0	High Byte	Low Byte	
4	0	1	1	STK3H	STK3L	-
3	1	0	0	STK2H	STK2L	-
2	1	0	1	STK1H	STK1L	-
1	1	1	0	STK0H	STK0L	-
0	1	1	1	Free	Free	-

3 RESET

3.1 OVERVIEW

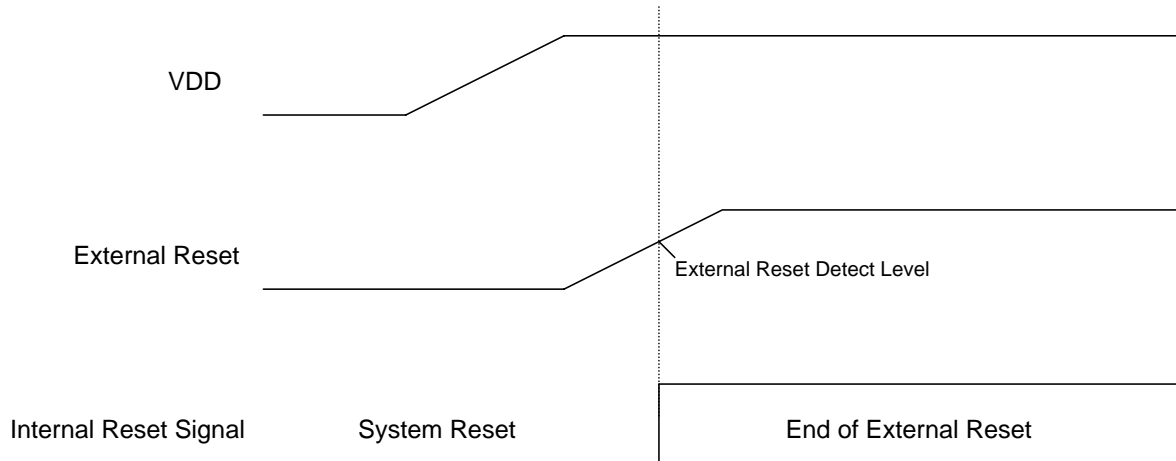
This MCU provides two system resets. One is external reset and the other is internal low voltage detector (LVD). The external reset is a simple RC circuit connecting to the reset pin. The low voltage detector (LVD) is built-in internal circuit. When one of the reset is triggered then will reset MCU and system registers become initial value. The timing diagram is as the following.



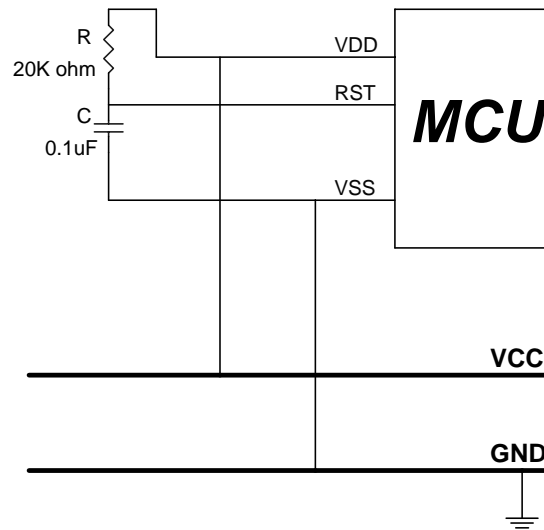
Power on reset timing diagram

3.2 EXTERNAL RESET DESCRIPTION

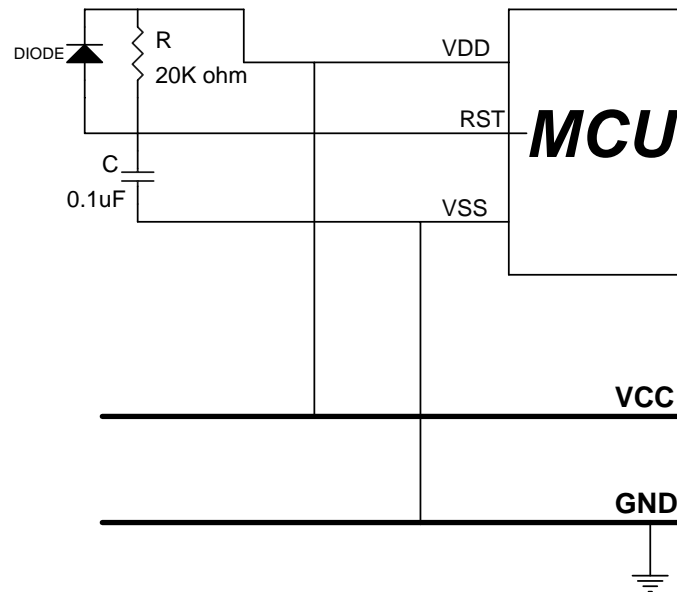
The external reset is a low level active device. The reset pin receives the low voltage and resets the system. When the voltage detects high level, it stops resetting the system. Users can use an external reset circuit to control system operation.



Users must make sure the VDD is stable earlier than external reset. Otherwise, the power on reset may fail. The external reset circuit is a simple RC circuit as the following figure.

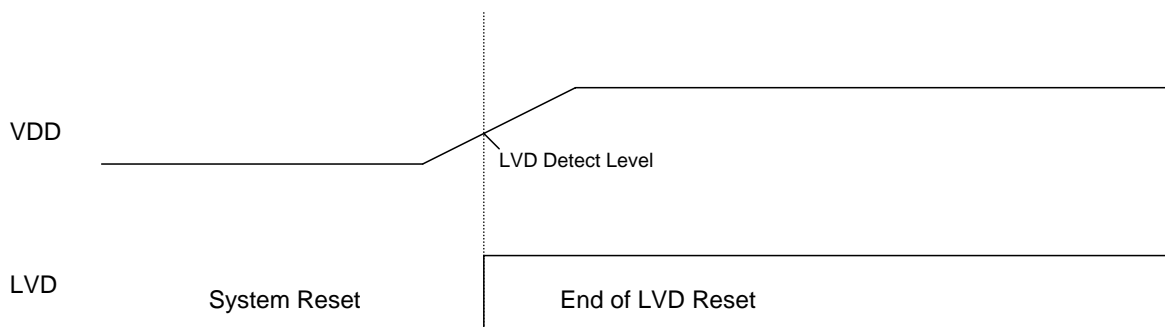


Under different environment, by placing a diode in between VCC and reset pin will help the Brownout reset.



3.3 LOW VOLTAGE DETECTOR (LVD) DESCRIPTION

The LVD is a low voltage detector. It detects VDD level and reset the system as the VDD lower than the detected voltage. The detect level is 1.8V. If the VDD lower than 1.8V, the system resets.



4 OSCILLATOR AND SYSTEM CLOCK

4.1 OVERVIEW

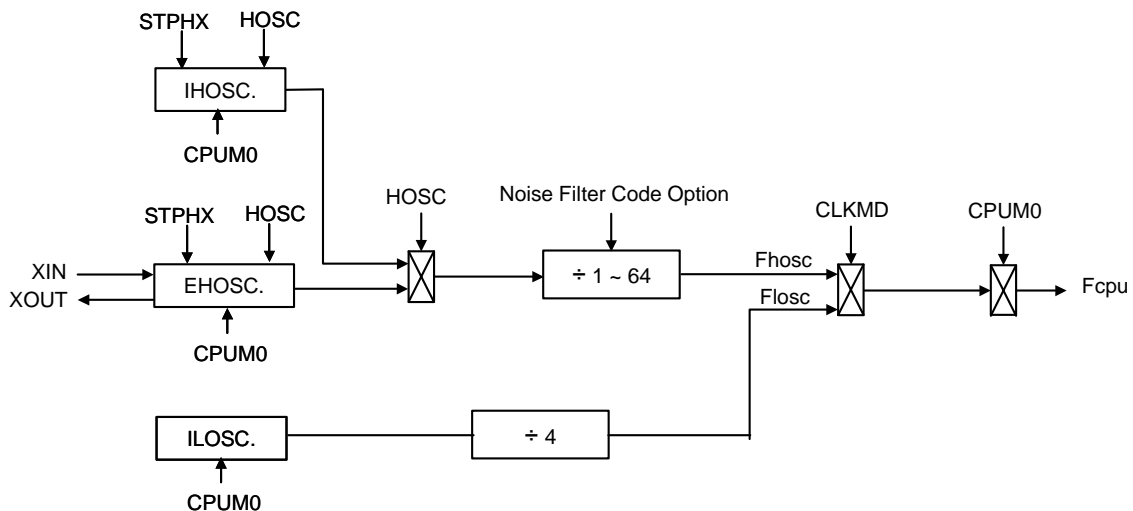
The SN8P2501A is a dual clock micro-controller system. There are high-speed clock and low-speed clock. The high-speed clock is generated from the external oscillator circuit or on-chip 16MHz high-speed RC oscillator circuit (IHRC 16MHz). The low-speed clock is generated from on-chip low-speed RC oscillator circuit (ILRC 16KHz @3V, 32KHz @5V).

Both the high-speed clock and the low-speed clock can be system clock (F_{osc}). The system clock is divided by 4 to be the instruction cycle (F_{cpu}).

Normal Mode (High Clock): $F_{cpu} = F_{osc} / N$, $N = 1 \sim 64$, Select N by F_{cpu} code option

Slow Mode (Low Clock): $F_{cpu} = F_{osc}/4$

4.2 CLOCK BLOCK DIAGRAM



- HOSC: High_Clk code option
- EHOSC: External high-speed clock
- IHRC: Internal high-speed RC clock
- ILRC: Internal low-speed RC clock

4.3 OSCM REGISTER DESCRIPTION

The OSCM register is an oscillator control register. It controls oscillator status, system mode.

OCAH	Bit 7	Bit 6	Bit 5	Bit 4	Bit 3	Bit 2	Bit 1	Bit 0
OSCM	0	0	0	CPUM1	CPUM0	CLKMD	STPHX	0
Read/Write	-	-	-	R/W	R/W	R/W	R/W	-
After reset	-	-	-	0	0	0	0	-

STPHX: External high-speed oscillator control bit. 0 = free run, 1 = stop. This bit only controls external high-speed oscillator. If STPHX=1, the internal low-speed RC oscillator is still running.

CLKMD: System high/Low clock mode: bit 0 = normal (dual) mode, 1 = slow mode.

CPUM1, CPUM0: CPU operating mode control bit:

00 = normal

01 = sleep (power down) mode

10 = green mode

11 = reserved.

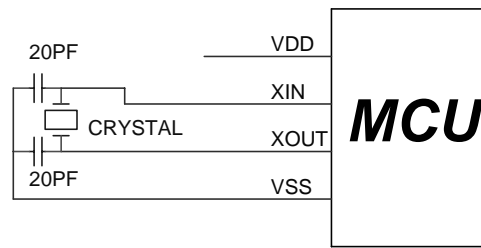
➔ Example: Stop high-speed oscillator

`B0BSET FSTPHX` ; To stop external high-speed oscillator only.

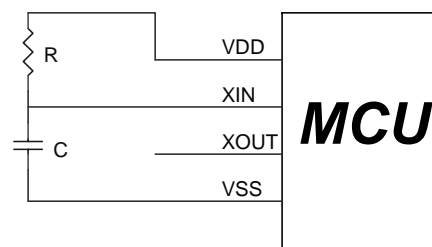
➔ Example: When entering the Power Down mode, both high-speed oscillator and internal low-speed oscillator will be stopped.

`B0BSET FCPUM0` ; To stop external high-speed oscillator and internal low-speed oscillator called power down mode (sleep mode).

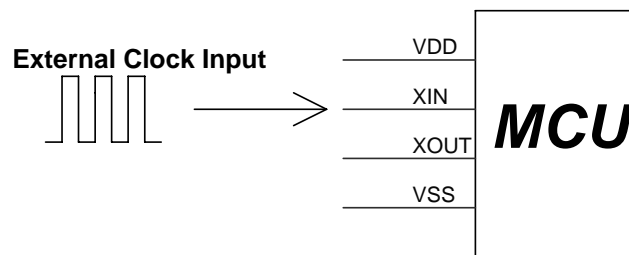
4.4 EXTERNAL SYSTEM OSCILLATOR CIRCUITS



Crystal/Ceramic Oscillator



RC Oscillator



External clock input

- **Note1:** The external oscillator circuit must be directly from Vss pin of micro-controller.

4.4.1 OSCILLATOR FREQUENCY MEASUREMENT

Under design period, the users can measure Fosc by software instruction cycle (Fcpu). This way is useful in RC mode.

➔ **Example: Fcpu instruction cycle of external oscillator**

```
B0BSET    P1M.0           ; Set P1.0 to be output mode for outputting Fcpu toggle signal.
```

@@:

```
B0BSET    P1.0           ; Output Fcpu toggle signal in low-speed clock mode.  
B0BCLR    P1.0           ; Measure the Fcpu frequency by oscilloscope.  
JMP       @B
```

➤ **Note:** Do not measure the RC frequency directly from XIN; the probe impedance will affect the RC value.

4.4.2 INTERNAL LOW-SPEED RC OSCILLATOR

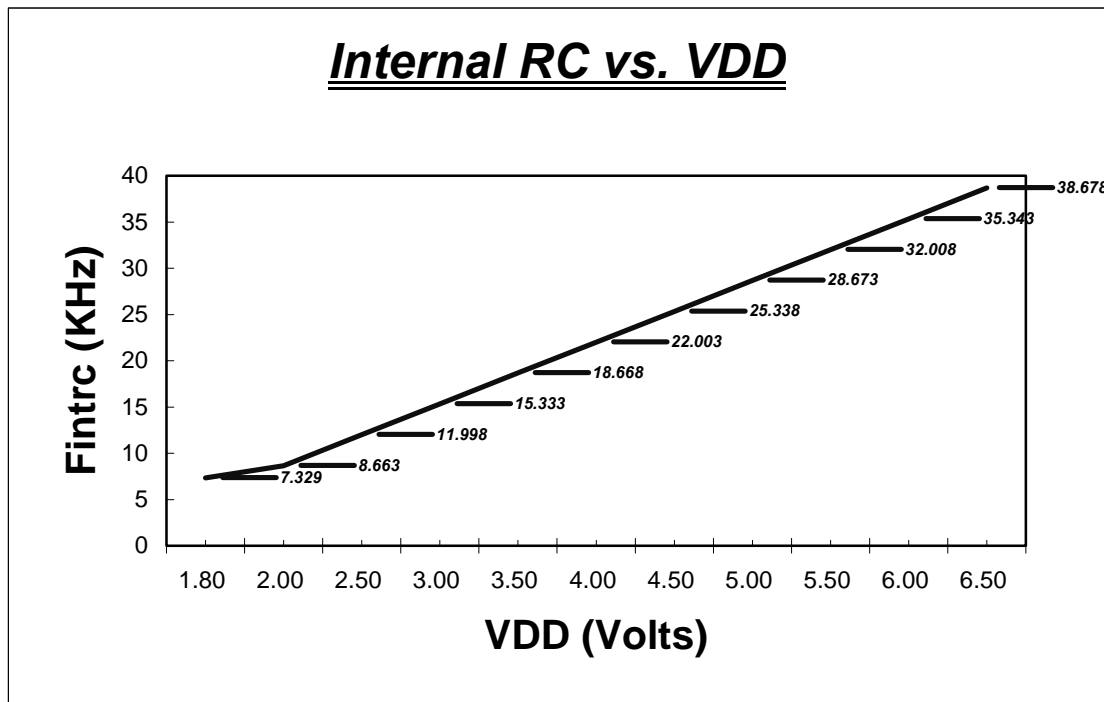
The internal low-speed oscillator is built in the micro-controller. The low-speed clock source is a RC type oscillator circuit.

➔ Example: Stop internal low-speed oscillator

```
B0BSET    FCPUM0          ; To stop external high-speed oscillator and internal low-speed
                                ; oscillator called power down mode (sleep mode).
```

➤ **Note:** The internal low-speed clock can't be turned off individually. It is controlled by CPUM0 bit of OSCM register.

The low-speed oscillator uses RC type oscillator circuit. The frequency is affected by the voltage and temperature of the system. In common condition, the frequency of the RC oscillator is about 16KHz at 3V and 32KHz at 5V. The relation between the RC frequency and voltage is as the following figure.



➔ **Example:** Measure the internal RC frequency by instruction cycle (Fcpu). The internal RC frequency is the Fcpu multiplied by 4. We can get the Fosc frequency of internal RC from the Fcpu frequency.

```
B0BSET    P1M.0          ; Set P1.0 to be output mode for outputting Fcpu toggle signal.
```

```
B0BSET    FCLKMD         ; Switch the system clock to internal low-speed clock mode.
```

@@:

```
B0BSET    P1.0           ; Output Fcpu toggle signal in low-speed clock mode.
```

```
B0BCLR    P1.0           ; Measure the Fcpu frequency by oscilloscope.
```

```
JMP      @B
```

5 SYSTEM OPERATION MODE

5.1 OVERVIEW

The chip is featured with low power consumption by switching around four different modes as following.

- High-speed mode
- Low-speed mode
- Power-down mode (Sleep mode)
- Green mode

5.2 NORMAL MODE

In normal mode, the system clock source is high clock (external or internal 16MHz RC oscillator). After power on reset, watchdog reset, LVD reset or wakeup from power down mode, the system works under normal mode. From normal mode, the system can get into power down mode, slow mode and green mode.

5.3 SLOW MODE

In slow mode, the system clock source is internal low-speed RC clock. To set CLKMD =1, the system switches into slow mode. In slow mode, the system functions similar to the normal mode except using the internal low RC clock. The system in slow mode can switch back to high-speed normal mode. On the other hand, it can be easily switch to power down mode and green mode for less power consumption.

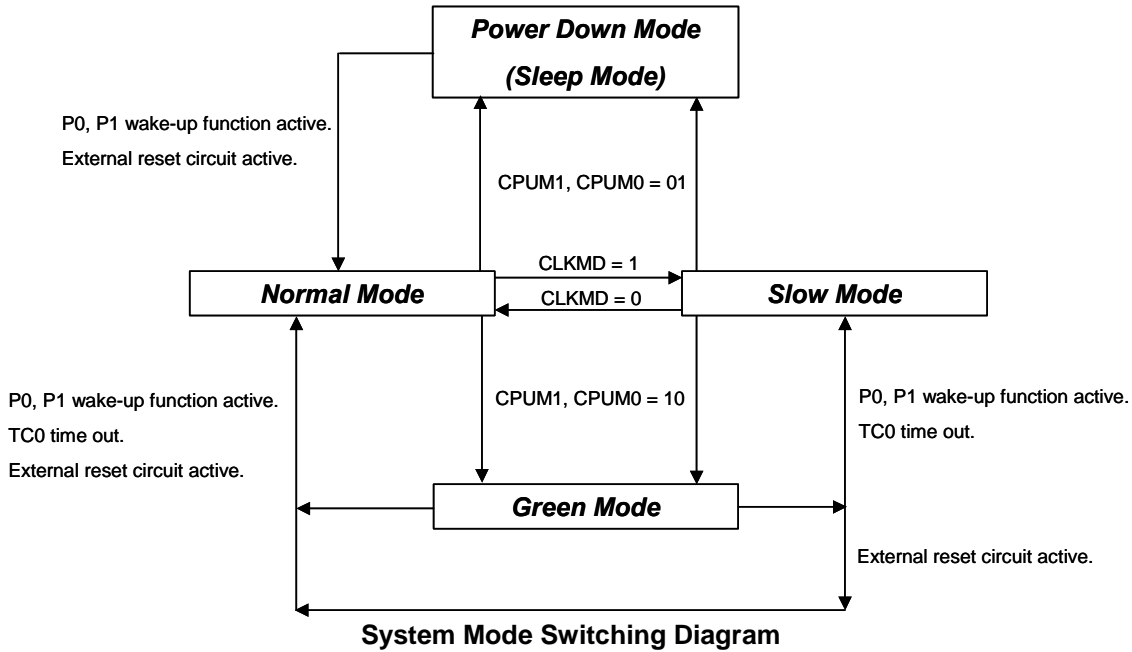
5.4 GREEN MODE

The green mode provides a time-variable wakeup function. Users can decide wakeup time by setting T0 timer. There are two paths into green mode. One is from normal mode and the other is from slow mode. The system can be waked up to last system mode by T0 timer timeout or P0, P1 level change trigger signal.

5.5 POWER DOWN MODE

The power down mode is also called sleep mode. The MCU stops working as sleeping status. To set CUPM0 = 1, the system gets into power down mode. The external high-speed and low-speed oscillators are turned off. The system can be waked up by P0, P1 level change trigger signal.

5.6 SYSTEM MODE CONTROL



Operating mode description

MODE	NORMAL	SLOW	GREEN	POWER DOWN (SLEEP)	REMARK
EHOSC	Running	By STPHX	By STPHX	Stop	
IHRC	Running	By STPHX	By STPHX	Stop	
ILRC	Running	Running	Running	Stop	
EHOSC with RTC	Running	By STPHX	Running	Stop	
IHRC with RTC	Running	By STPHX	Stop	Stop	
ILRC with RTC	Running	Running	Stop	Stop	
CPU instruction	Executing	Executing	Stop	Stop	
T0 timer	*Active	*Active	*Active	Inactive	* Active by program
TC0 timer	*Active	*Active	Inactive	Inactive	* Active by program
Watchdog timer	By watchdog code option	By watchdog code option	By watchdog code option	By watchdog code option	
Internal interrupt	All active	All active	T0	All inactive	
External interrupt	All active	All active	All active	All inactive	
Wakeup source	-	-	P0, P1, T0 Reset	P0, P1, Reset	

5.6.1 SYSTEM MODE SWITCHING

Switch normal/slow mode to power down (sleep) mode.

B0BSET FCPUM0 ; Set CPUM0 = 1.

- *During the sleep, only the wakeup pin and reset can wakeup the system back to the normal mode.*

Switch normal mode to slow mode.

B0BSET FCLKMD ;To set CLKMD = 1, Change the system into slow mode
B0BSET FSTPHX ;To stop external high-speed oscillator for power saving.

Switch slow mode to normal mode (The external high-speed oscillator is still running)

B0BCLR FCLKMD ;To set CLKMD = 0

Switch slow mode to normal mode (The external high-speed oscillator stops)

If external high clock stop and program want to switch back normal mode. It is necessary to delay at least 10mS for external clock stable.

B0BCLR FSTPHX ; Turn on the external high-speed oscillator.
B0MOV Z, #27 ; If VDD = 5V, internal RC=32KHz (typical) will delay
@@: DECMS Z ; 0.125ms X 81 = 10.125ms for external clock stable
 JMP @B
 ;
B0BCLR FCLKMD ; Change the system back to the normal mode

Switch normal/slow mode to green mode.

B0BSET FCPUM1 ; Set CPUM1 = 1.

- *During the green mode without T0 wake-up function, only the wakeup pin wakeup the system back to the last mode.*

Switch normal/slow mode to green mode and enable T0 wake-up function.

```

; Set T0 timer wakeup function.
      B0BCLR      FT0IEN      ; To disable T0 interrupt service
      B0BCLR      FT0ENB      ; To disable T0 timer
      MOV         A,#20H      ;
      B0MOV       T0M,A        ; To set T0 clock = Fcpu / 64
      MOV         A,#74H      ;
      B0MOV       T0C,A        ; To set T0C initial value = 74H (To set T0 interval = 10 ms)
      B0BCLR      FT0IEN      ; To disable T0 interrupt service
      B0BCLR      FT0IRQ      ; To clear T0 interrupt request
      B0BSET      FT0ENB      ; To enable T0 timer
; Go into green mode
      B0BCLR      FCPUM0      ;To set CPUMx = 10
      B0BSET      FCPUM1
  
```

➤ *During the green mode with T0 wake-up function, the wakeup pin and T0 wakeup the system back to the last mode. T0 wake-up period is controlled by program.*

Switch normal/slow mode to green mode and enable T0 wake-up function with RTC.

```

; Set T0 timer wakeup function with 0.5 sec RTC.
      B0BCLR      FRTC1      ; Set RTC timer period to 0.5 sec.
      B0BCLR      FRTC0
      B0BSET      FT0ENB      ; To enable T0 timer
      B0BSET      FT0TB      ; To enable RTC function
; Go into green mode
      B0BCLR      FCPUM0      ;To set CPUMx = 10
      B0BSET      FCPUM1
  
```

➤ *During the green mode with T0 RTC wake-up function, the wakeup pin and T0 wakeup the system back to the last mode. The T0 wake-up period is controlled by OPTION register.*

088H	Bit 7	Bit 6	Bit 5	Bit 4	Bit 3	Bit 2	Bit 1	Bit 0
OPTION	-	-	-	-	RTC1	RTC0	-	-
Read/Write	-	-	-	-	R/W	R/W	-	-
After reset	-	-	-	-	0	0	-	-

RTC1, RTC0: 00 = 0.5 sec. 01 = 1 sec. 10 = 2 sec. 11 = 4 sec.

5.7 WAKEUP

5.7.1 OVERVIEW

The high clock (external or internal 16MHz RC oscillator) needs a delay time from stopping to operating. The delay is necessary for oscillator to be stabilized. The delay time for high clock oscillator restart is sometimes called wakeup time.

Following are two conditions require wakeup time, one is switching power down mode to normal mode, and the other is switching slow mode to normal mode. For the first condition, MCU provides 2048 oscillator clocks as the wakeup time. The second condition, users need to take the wakeup time into consideration, which involved stabilizing period for start up the external high-speed oscillator.

Under power down mode (sleep mode) or green mode, P0 and P1 with wakeup function are able to wake the system up. Port 0 wakeup function always enables, but the Port 1 is controlled by the P1W register. The wakeup signal is level change trigger.

5.7.2 WAKEUP TIME

When the system is in power down mode (sleep mode), the high clock oscillator stops. When waked up from power down mode, MCU waits for 2048 external high-speed oscillator clocks as the wakeup time to stable the oscillator circuit. After the wakeup time, the system goes into the normal mode. The value of the wakeup time is as the following.

$$\text{The Wakeup time} = 1/F_{osc} * 2048 \text{ (sec)} + X'tal \text{ settling time}$$

The X'tal settling time is depended on the X'tal type. Typically, it is about 2~4mS in 4MHz Crystal oscillator

5.7.3 P1W WAKEUP CONTROL REGISTER

Under power down mode (sleep mode) or green mode, P0 and P1 with wakeup function are able to wakeup the system. Port 0 wakeup function is always available, but the Port 1 is controlled by the P1W register. The wakeup signal is level change trigger.

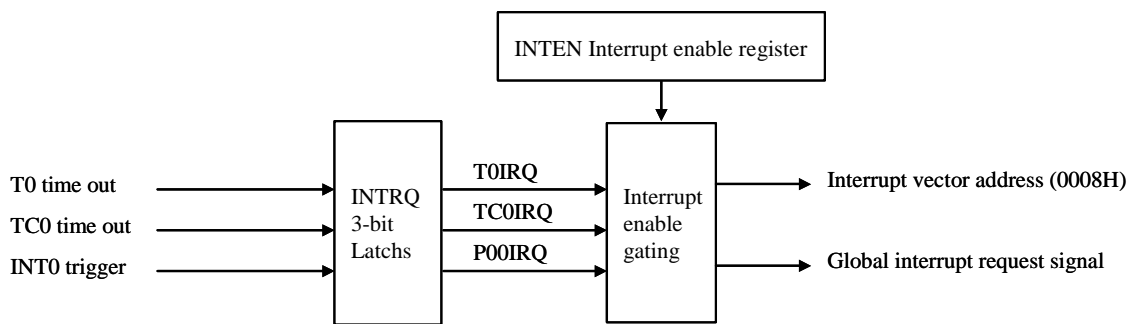
0C0H	Bit 7	Bit 6	Bit 5	Bit 4	Bit 3	Bit 2	Bit 1	Bit 0
P1W	-	-	-	-	P13W	P12W	P11W	P10W
Read/Write	-	-	-	-	W	W	W	W
After reset	-	-	-	-	0	0	0	0

P10W~P13W: Port 1 wakeup function control bits. 0 = Disable; 1 = Enable wakeup function.

6 INTERRUPT

6.1 OVERVIEW

This MCU provides three interrupt sources, including two internal interrupt (T0/TC0) and one external interrupt (INT0). The external interrupt can wakeup the chip while the system is switched from power down mode to high-speed normal mode. Once interrupt service is executed, the GIE bit in STKP register will clear to "0" for stopping other interrupt request. On the contrast, when interrupt service exits, the GIE bit will set to "1" to accept the next interrupts' request. All of the interrupt request signals are stored in INTRQ register.



➤ **Note: The GIE bit must enable during all interrupt operation.**

6.2 INTEN INTERRUPT ENABLE REGISTER

INTEN is the interrupt request control register including one internal interrupts, one external interrupts enable control bits. One of the register to be set "1" is to enable the interrupt request function. Once of the interrupt occur, the stack is incremented and program jump to ORG 8 to execute interrupt service routines. The program exits the interrupt service routine when the returning interrupt service routine instruction (RETI) is executed.

0C9H	Bit 7	Bit 6	Bit 5	Bit 4	Bit 3	Bit 2	Bit 1	Bit 0
INTEN	-	-	TC0IEN	TOIEN	-	-	-	P00IEN
Read/Write	-	-	R/W	R/W	-	-	-	R/W
After reset	-	-	0	0	-	-	-	0

P00IEN : External P0.0 interrupt control bit. 0 = disable, 1 = enable.

TOIEN : T0 Timer interrupt control bit 0 = disable, 1 = enable.

TC0IEN : TC0 Timer interrupt control bit 0 = disable, 1 = enable.

6.3 INTRQ INTERRUPT REQUEST REGISTER

INTRQ is the interrupt request flag register. The register includes all interrupt request indication flags. Each one of the interrupt requests occurs, the bit of the INTRQ register would be set "1". The INTRQ value needs to be clear by programming after detecting the flag. In the interrupt vector of program, users know the any interrupt requests occurring by the register and do the routine corresponding of the interrupt request.

0C8H	Bit 7	Bit 6	Bit 5	Bit 4	Bit 3	Bit 2	Bit 1	Bit 0
INTRQ	-	-	TC0IRQ	T0IRQ	-	-	-	P00IRQ
Read/Write	-	-	R/W	R/W	-	-	-	R/W
After reset	-	-	0	0	-	-	-	0

P00IRQ : External P0.0 interrupt request bit. 0 = non-request, 1 = request.

T0IRQ : T0 timer interrupt request controls bit 0 = non request, 1 = request.

TC0IRQ : TC0 timer interrupt request controls bit 0 = non request, 1 = request.

6.4 INTERRUPT OPERATION DESCRIPTION

6.4.1 GIE GLOBAL INTERRUPT OPERATION

GIE is the global interrupt control bit. All interrupts start work after the GIE = 1. It is necessary for interrupt service request. One of the interrupt requests occurs, and the program counter (PC) points to the interrupt vector (ORG 8) and the stack add 1 level.

0DFH	Bit 7	Bit 6	Bit 5	Bit 4	Bit 3	Bit 2	Bit 1	Bit 0
STKP	GIE	-	-	-	-	STKPB2	STKPB1	STKPB0
Read/Write	R/W	-	-	-	-	R/W	R/W	R/W
After reset	0	-	-	-	-	1	1	1

GIE: Global interrupt control bit. 0 = disable, 1 = enable.

➔ **Example: Set global interrupt control bit (GIE).**

```
BOBSET      FGIE          ; Enable GIE
```

➤ **Note: The GIE bit must enable during all interrupt operation.**

6.4.2 INTO (P0.0) INTERRUPT OPERATION

The interrupt trigger direction is control by PEDGE register.

0BFH	Bit 7	Bit 6	Bit 5	Bit 4	Bit 3	Bit 2	Bit 1	Bit 0
PEDGE	-	-	-	P00G1	P00G0	-	-	-
Read/Write	-	-	-	R/W	R/W	-	-	-
After reset	-	-	-	1	0	-	-	-

P00G[1:0]: P0.0 interrupt trigger edge control bits.

00 = reserved

01 = rising edge

10 = falling edge

11 = rising/falling bi-direction (Level change trigger).

➔ Example: INTO interrupt request setup.

```

BOBSET      FP00IEN      ; Enable INTO interrupt service
BOBCLR      FP00IRQ      ; Clear INTO interrupt request flag
BOBSET      FGIE         ; Enable GIE

```

➔ Example: INTO interrupt service routine.

```

ACCBUF      EQU          00H      ; ACCBUF is ACC data buffer.
PFLAGBUF    EQU          01H      ; PFLAGBUF is PFLAG data buffer.

          ORG            8        ; Interrupt vector
          JMP            INT_SERVICE

INT_SERVICE:

          BOXCH          A, ACCBUF ; Store ACC value.
          B0MOV          A, PFLAG
          B0MOV          PFLAGBUF, A ; Store PFLAG value.

          BOBTS1         FP00IRQ  ; Check P00IRQ
          JMP            EXIT_INT  ; P00IRQ = 0, exit interrupt vector

          BOBCLR         FP00IRQ  ; Reset P00IRQ
          .               .       ; INTO interrupt service routine
          .               .

EXIT_INT:

          B0MOV          A, PFLAGBUF ; Re-load PFLAG value.
          B0MOV          PFLAG, A
          BOXCH          A, ACCBUF  ; Re-load ACC value.

          RETI           ; Exit interrupt vector

```

When the INTO trigger occurs, the P00IRQ will be set to "1" no matter the P00IEN is enable or disable. If the P00IEN = 1 and the trigger event P00IRQ is also set to be "1". As the result, the system will execute the interrupt vector (ORG 8). If the P00IEN = 0 and the trigger event P00IRQ is still set to be "1". Moreover, the system won't execute interrupt vector even when the P00IRQ is set to be "1". Users need to be cautious with the operation under multi-interrupt situation.

6.4.3 T0 INTERRUPT OPERATION

When the T0C counter occurs overflow, the T0IRQ will be set to “1” however the T0IEN is enable or disable. If the T0IEN = 1, the trigger event will make the T0IRQ to be “1” and the system enter interrupt vector. If the T0IEN = 0, the trigger event will make the T0IRQ to be “1” but the system will not enter interrupt vector. Users need to care for the operation under multi-interrupt situation.

➤ Example: T0 interrupt request setup.

```

BOBCLR    FT0IEN    ; Disable T0 interrupt service
BOBCLR    FT0ENB    ; Disable T0 timer
MOV       A, #20H   ;
BOMOV     T0M, A    ; Set T0 clock = Fcpu / 64
MOV       A, #74H   ; Set T0C initial value = 74H
BOMOV     T0C, A    ; Set T0 interval = 10 ms

BOBSET    FT0IEN    ; Enable T0 interrupt service
BOBCLR    FT0IRQ    ; Clear T0 interrupt request flag
BOBSET    FT0ENB    ; Enable T0 timer

BOBSET    FGIE      ; Enable GIE

```

➤ Example: T0 interrupt service routine.

```

ACCBUF    EQU        00H    ; ACCBUF is ACC data buffer.
PFLAGBUF  EQU        01H    ; PFLAGBUF is PFLAG data buffer.

ORG       8                ; Interrupt vector
JMP       INT_SERVICE

INT_SERVICE:

BOXCH     A, ACCBUF        ; Store ACC value.
BOMOV     A, PFLAG
BOMOV     PFLAGBUF, A     ; Store PFLAG value.

BOBTS1    FT0IRQ          ; Check T0IRQ
JMP       EXIT_INT        ; T0IRQ = 0, exit interrupt vector

BOBCLR    FT0IRQ          ; Reset T0IRQ
MOV       A, #74H
BOMOV     T0C, A          ; Reset T0C.
.         .               ; T0 interrupt service routine
.         .

EXIT_INT:

BOMOV     A, PFLAGBUF      ; Re-load PFLAG value.
BOMOV     PFLAG, A
BOXCH     A, ACCBUF        ; Re-load ACC value.

RETI      ; Exit interrupt vector

```

When the T0C counter overflows, the T0IRQ will be set to “1” no matter the T0IEN is enable or disable. If the T0IEN and the trigger event T0IRQ is set to be “1”. As the result, the system will execute the interrupt vector. If the T0IEN = 0, the trigger event T0IRQ is still set to be “1”. Moreover, the system won’t execute interrupt vector even when the T0IEN is set to be “1”. Users need to be cautious with the operation under multi-interrupt situation.

6.4.4 TC0 INTERRUPT OPERATION

➔ Example: TC0 interrupt request setup.

```

B0BCLR    FTC0IEN    ; Disable TC0 interrupt service
B0BCLR    FTC0ENB    ; Disable TC0 timer
MOV       A, #20H    ;
B0MOV     TC0M, A     ; Set TC0 clock = Fcpu / 64
MOV       A, #74H    ; Set TC0C initial value = 74H
B0MOV     TC0C, A     ; Set TC0 interval = 10 ms

B0BSET    FTC0IEN    ; Enable TC0 interrupt service
B0BCLR    FTC0IRQ    ; Clear TC0 interrupt request flag
B0BSET    FTC0ENB    ; Enable TC0 timer

B0BSET    FGIE       ; Enable GIE

```

➔ Example: TC0 interrupt service routine.

```

ACCBUF    EQU        00H    ; ACCBUF is ACC data buffer.
PFLAGBUF  EQU        01H    ; PFLAGBUF is PFLAG data buffer.

ORG       8                ; Interrupt vector
JMP       INT_SERVICE

INT_SERVICE:

BOXCH     A, ACCBUF        ; Store ACC value.
B0MOV     A, PFLAG
B0MOV     PFLAGBUF, A     ; Store PFLAG value.

B0BTS1    FTC0IRQ        ; Check TC0IRQ
JMP       EXIT_INT        ; TC0IRQ = 0, exit interrupt vector

B0BCLR    FTC0IRQ        ; Reset TC0IRQ
MOV       A, #74H
B0MOV     TC0C, A         ; Reset TC0C.
.         .               ; TC0 interrupt service routine
.         .

EXIT_INT:
B0MOV     A, PFLAGBUF     ; Re-load PFLAG value.
B0MOV     PFLAG, A
BOXCH     A, ACCBUF       ; Re-load ACC value.

RETI     ; Exit interrupt vector

```

When the TC0C counter overflows, the TC0IRQ will be set to "1" no matter the TC0IEN is enable or disable. If the TC0IEN and the trigger event TC0IRQ is set to be "1". As the result, the system will execute the interrupt vector. If the TC0IEN = 0, the trigger event TC0IRQ is still set to be "1". Moreover, the system won't execute interrupt vector even when the TC0IEN is set to be "1". Users need to be cautious with the operation under multi-interrupt situation.

6.4.5 MULTI-INTERRUPT OPERATION

Under certain condition, the software designer uses more than one interrupt requests. Processing multi-interrupt request requires setting the priority of the interrupt requests. The IRQ flags of interrupts are controlled by the interrupt event. Nevertheless, the IRQ flag “1” doesn’t mean the system will execute the interrupt vector. In addition, which means the IRQ flags can be set “1” by the events without enable the interrupt. Once the event occurs, the IRQ will be logic “1”. The IRQ and its trigger event relationship is as the below table.

<i>Interrupt Name</i>	<i>Trigger Event Description</i>
P00IRQ	P0.0 trigger controlled by PEDGE
T0IRQ	T0C overflow
TC0IRQ	TC0C overflow

For multi-interrupt conditions, two things need to be taking care of. One is to set the priority for these interrupt requests. Two is using IEN and IRQ flags to decide which interrupt to be executed. Users have to check interrupt control bit and interrupt request flag in interrupt routine.

➔ Example: Check the interrupt request under multi-interrupt operation

```

ACCBUF    EQU    00H    ; ACCBUF is ACC data buffer.
PFLAGBUF  EQU    01H    ; PFLAGBUF is PFLAG data buffer.

          ORG     8      ; Interrupt vector

          BOXCH   A, ACCBUF ; Store ACC value.
          B0MOV  A,PFLAG
          B0MOV  PFLAGBUF,A ; Store PFLAG value.

INTP00CHK: ; Check INT0 interrupt request
          B0BTS1 FP00IEN ; Check P00IEN
          JMP    INTTC0CHK ; Jump check to next interrupt
          B0BTS0 FP00IRQ ; Check P00IRQ
          JMP    INTP00 ; Jump to INT0 interrupt service routine

INTTC0CHK: ; Check TC0 interrupt request
          B0BTS1 FT0IEN ; Check T0IEN
          JMP    INT_EXIT ; Jump to exit of IRQ
          B0BTS0 FT0IRQ ; Check T0IRQ
          JMP    INTT0 ; Jump to T0 interrupt service routine

INTTC0CHK: ; Check TC0 interrupt request
          B0BTS1 FTC0IEN ; Check TC0IEN
          JMP    INT_EXIT ; Jump to exit of IRQ
          B0BTS0 FTC0IRQ ; Check TC0IRQ
          JMP    INTTC0 ; Jump to TC0 interrupt service routine

INT_EXIT:

          B0MOV  A,PFLAGBUF ; Re-load PFLAG value.
          B0MOV  PFLAG,A
          BOXCH  A, ACCBUF ; Re-load ACC value.

          RETI ; Exit interrupt vector
    
```

7 I/O PORT

7.1 I/O PORT MODE

The port direction is programmed by PnM register. All I/O ports can select input or output direction.

0B8H	Bit 7	Bit 6	Bit 5	Bit 4	Bit 3	Bit 2	Bit 1	Bit 0
P0M	-	-	-	-	-	-	-	P00M
Read/Write	-	-	-	-	-	-	-	R/W
After reset	-	-	-	-	-	-	-	0

0C1H	Bit 7	Bit 6	Bit 5	Bit 4	Bit 3	Bit 2	Bit 1	Bit 0
P1M	-	-	-	-	P13M	P12M	-	P10M
Read/Write	-	-	-	-	R/W	R/W	-	R/W
After reset	-	-	-	-	0	0	-	0

➤ **P1.1 is input only pin, and the P1M.1 keeps "1".**

0C2H	Bit 7	Bit 6	Bit 5	Bit 4	Bit 3	Bit 2	Bit 1	Bit 0
P2M	-	-	P25M	P24M	P23M	P22M	P21M	P20M
Read/Write	-	-	R/W	R/W	R/W	R/W	R/W	R/W
After reset	-	-	0	0	0	0	0	0

0C5H	Bit 7	Bit 6	Bit 5	Bit 4	Bit 3	Bit 2	Bit 1	Bit 0
P5M	-	-	-	P54M	-	-	-	-
Read/Write	-	-	-	R/W	-	-	-	-
After reset	-	-	-	0	-	-	-	-

When PnM=0, the Pn is input mode
PnM=1, the Pn is output mode

➤ **Users can program them by bit control instructions (B0BSET, B0BCLR).**

⇒ **Example: I/O mode selecting**

```

CLR          P0M          ; Set all ports to be input mode.
CLR          P1M
CLR          P2M
CLR          P5M

MOV          A, #0FFH     ; Set all ports to be output mode.
B0MOV       P0M, A
B0MOV       P1M, A
B0MOV       P2M, A
B0MOV       P5M, A

B0BCLR      P1M.2         ; Set P1.2 to be input mode.

B0BSET      P1M.2         ; Set P1.2 to be output mode.

```

7.2 I/O PULL UP REGISTER

0E0H	Bit 7	Bit 6	Bit 5	Bit 4	Bit 3	Bit 2	Bit 1	Bit 0
P0UR	-	-	-	-	-	-	-	P00R
Read/Write	-	-	-	-	-	-	-	W
After reset	-	-	-	-	-	-	-	0

0E1H	Bit 7	Bit 6	Bit 5	Bit 4	Bit 3	Bit 2	Bit 1	Bit 0
P1UR	-	-	-	-	P13R	P12R	-	P10R
Read/Write	-	-	-	-	W	W	-	W
After reset	-	-	-	-	0	0	-	0

➤ **P1.1 is input only pin and without pull-up resistor. The P1UR.1 keeps "1".**

0E2H	Bit 7	Bit 6	Bit 5	Bit 4	Bit 3	Bit 2	Bit 1	Bit 0
P2UR	-	-	P25R	P24R	P23R	P22R	P21R	P20R
Read/Write	-	-	W	W	W	W	W	W
After reset	-	-	0	0	0	0	0	0

0E5H	Bit 7	Bit 6	Bit 5	Bit 4	Bit 3	Bit 2	Bit 1	Bit 0
P5UR	-	-	-	P54R	-	-	-	-
Read/Write	-	-	-	W	-	-	-	-
After reset	-	-	-	0	-	-	-	-

➤ Example: I/O Pull up Register

```

MOV      A, #0FFH      ; Enable Port0, 1, 2, 5 Pull-up register,
B0MOV    P0UR, A      ;
B0MOV    P1UR, A
B0MOV    P2UR, A
B0MOV    P5UR, A

```

7.3 I/O OPEN-DRAIN REGISTER

Port1

0E9H	Bit 7	Bit 6	Bit 5	Bit 4	Bit 3	Bit 2	Bit 1	Bit 0
P10C	-	-	-	-	-	-	-	P100C
Read/Write	-	-	-	-	-	-	-	W
After reset	-	-	-	-	-	-	-	0

Bit 0 **P100C**: P10 open-drain control bit
 0 = Disable open-drain mode
 1 = Enable open-drain mode

7.4 I/O PORT DATA REGISTER

0D0H	Bit 7	Bit 6	Bit 5	Bit 4	Bit 3	Bit 2	Bit 1	Bit 0
P0	-	-	-	-	-	-	-	P00
Read/Write	-	-	-	-	-	-	-	R/W
After reset	-	-	-	-	-	-	-	0

0D1H	Bit 7	Bit 6	Bit 5	Bit 4	Bit 3	Bit 2	Bit 1	Bit 0
P1	-	-	-	-	P13	P12	P11	P10
Read/Write	-	-	-	-	R/W	R/W	R	R/W
After reset	-	-	-	-	0	0	0	0

➤ *The P11 keeps "1" when external reset enable by code option.*

0D2H	Bit 7	Bit 6	Bit 5	Bit 4	Bit 3	Bit 2	Bit 1	Bit 0
P2	-	-	P25	P24	P23	P22	P21	P20
Read/Write	-	-	R/W	R/W	R/W	R/W	R/W	R/W
After reset	-	-	0	0	0	0	0	0

0D5H	Bit 7	Bit 6	Bit 5	Bit 4	Bit 3	Bit 2	Bit 1	Bit 0
P5	-	-	-	P54	-	-	-	-
Read/Write	-	-	-	R/W	-	-	-	-
After reset	-	-	-	0	-	-	-	-

➤ **Example: Read data from input port.**

```

B0MOV      A, P0           ; Read data from Port 0
B0MOV      A, P1           ; Read data from Port 1
B0MOV      A, P2           ; Read data from Port 2
B0MOV      A, P5           ; Read data from Port 5
    
```

➤ **Example: Write data to output port.**

```

MOV        A, #0FFH       ; Write data FFH to all Port.
B0MOV      P0, A
B0MOV      P1, A
B0MOV      P2, A
B0MOV      P5, A
    
```

➤ **Example: Write one bit data to output port.**

```

B0BSET     P1.3           ; Set P1.3 and P2.5 to be "1".
B0BSET     P2.5

B0BCLR     P1.3           ; Set P1.3 and P2.5 to be "0".
B0BCLR     P2.5
    
```

8 TIMERS

8.1 WATCHDOG TIMER

The watchdog timer (WDT) is a binary up counter designed for monitoring program execution. If the program goes into the unknown status by noise interference, WDT overflow signal raises and resets MCU. Watchdog clock controlled by code option and the clock source is internal low-speed oscillator (ILRC, 16K @3V, 32K @5V).

- **Watchdog overflow time is about 0.5 sec @3V, 0.25 sec @5V.**
- **If watchdog is "Always_On" mode, it keeps running event under power down mode or green mode.**
- **For S8KD ICE simulation, clear watchdog timer using "@RST_WDT" macro is necessary. Or the S8KD watchdog would be error. Please use "@RST_WDT" macro to clear the watchdog timer successfully both in S8KD ICE emulation and real chip.**

Watchdog clear is controlled by WDTR register. Moving **0x5A** data into WDTR is to reset watchdog timer.

OCCH	Bit 7	Bit 6	Bit 5	Bit 4	Bit 3	Bit 2	Bit 1	Bit 0
WDTR	WDTR7	WDTR6	WDTR5	WDTR4	WDTR3	WDTR2	WDTR1	WDTR0
Read/Write	W	W	W	W	W	W	W	W
After reset	0	0	0	0	0	0	0	0

- **Example: An operation of watchdog timer is as following. To clear the watchdog timer counter in the top of the main routine of the program.**

Main:

```

MOV      A,#5AH          ; Clear the watchdog timer.
B0MOV    WDTR,A
.
CALL     SUB1
CALL     SUB2
.
.
.
JMP     MAIN

```

- **Example: Clear watchdog timer by @RST_WDT macro.**

Main:

```

@RST_WDT                ; Clear the watchdog timer.
.
CALL     SUB1
CALL     SUB2
.
.
.
JMP     MAIN

```

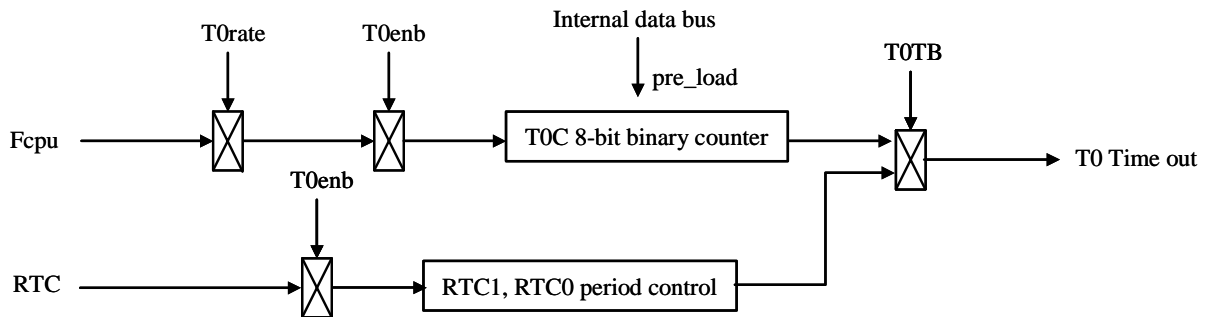
8.2 TIMER 0 (T0)

8.2.1 OVERVIEW

The T0 is an 8-bit binary up timer and event counter. If T0 timer occurs an overflow (from FFH to 00H), it will continue counting and issue a time-out signal to trigger T0 interrupt to request interrupt service.

The main purposes of the T0 timer is as following.

- **8-bit programmable timer:** Generates interrupts at specific time intervals based on the selected clock frequency.
- **RTC timer:** Generates interrupts at real time intervals based on the selected clock source. **RTC function is only available in High_Clk code option = "IHRC_RTC".**
- **Green mode wakeup function:** T0ENB = 1, T0 time out to make system return to last mode in green mode.



8.2.2 T0M MODE REGISTER

0D8H	Bit 7	Bit 6	Bit 5	Bit 4	Bit 3	Bit 2	Bit 1	Bit 0
T0M	T0ENB	T0rate2	T0rate1	T0rate0	-	-	-	T0TB
Read/Write	R/W	R/W	R/W	R/W	-	-	-	R/W
After reset	0	0	0	0	-	-	-	0

T0ENB: T0 counter control bit. 0 = disable, 1 = enable.

T0RATE2~T0RATE0: T0 internal clock select bits. 000 = fcpu/256, 001 = fcpu/128, ... , 110 = fcpu/4, 111 = fcpu/2.

T0TB: RTC clock source control bit. 0 = disable (from Fcpu). 1 = enable (from RTC).

8.2.3 T0C COUNTING REGISTER

T0C is an 8-bit counter register for T0 interval time control.

0D9H	Bit 7	Bit 6	Bit 5	Bit 4	Bit 3	Bit 2	Bit 1	Bit 0
T0C	T0C7	T0C6	T0C5	T0C4	T0C3	T0C2	T0C1	T0C0
Read/Write	R/W	R/W	R/W	R/W	R/W	R/W	R/W	R/W
After reset	0	0	0	0	0	0	0	0

The basic timer table interval time of T0

T0RATE	T0CLOCK	High speed mode (Fcpu = 3.58MHz / 4)		Low speed mode (Fcpu = 32768Hz / 4)	
		Max overflow interval	One step = max/256	Max overflow interval	One step = max/256
000	fcpu/256	73.2 ms	286us	8000 ms	31.25 ms
001	fcpu/128	36.6 ms	143us	4000 ms	15.63 ms
010	fcpu/64	18.3 ms	71.5us	2000 ms	7.8 ms
011	fcpu/32	9.15 ms	35.8us	1000 ms	3.9 ms
100	fcpu/16	4.57 ms	17.9us	500 ms	1.95 ms
101	fcpu/8	2.28 ms	8.94us	250 ms	0.98 ms
110	fcpu/4	1.14 ms	4.47us	125 ms	0.49 ms
111	fcpu/2	0.57 ms	2.23us	62.5 ms	0.24 ms

The equation of T0C initial value is as following.

$$T0C \text{ initial value} = 256 - (T0 \text{ interrupt interval time} * \text{input clock})$$

- ⇒ Example: To set 10ms interval time for T0 interrupt at 3.58MHz high-speed mode. T0C value (74H) = 256 - (10ms * fcpu/64). Let Fcpu = Fosc / 4

$$\begin{aligned}
 T0C \text{ initial value} &= 256 - (T0 \text{ interrupt interval time} * \text{input clock}) \\
 &= 256 - (10\text{ms} * 3.58 * 10^6 / 4 / 64) \\
 &= 256 - (10^{-2} * 3.58 * 10^6 / 4 / 64) \\
 &= 116 \\
 &= 74H
 \end{aligned}$$

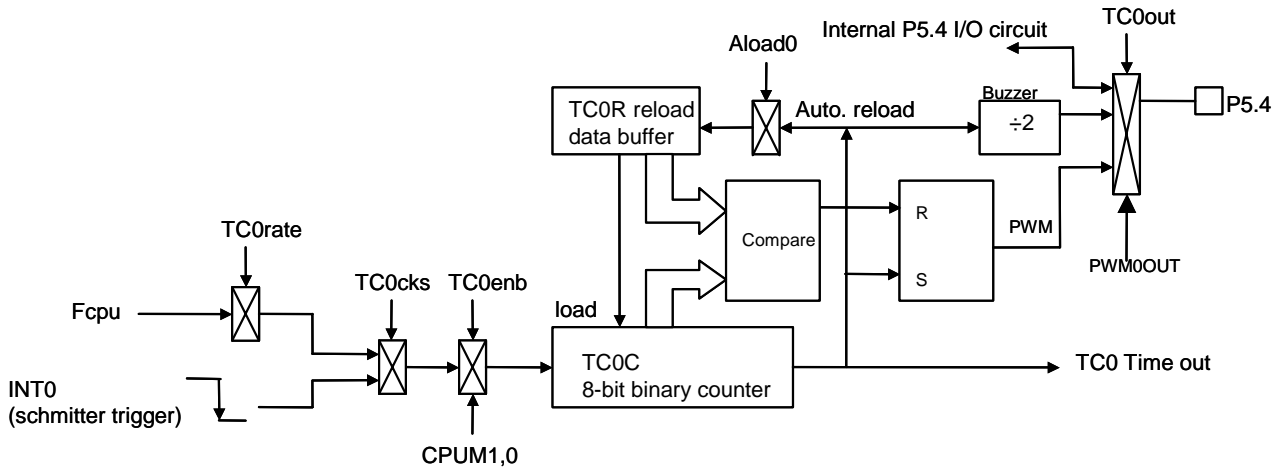
8.3 TIMER/COUNTER 0 (TC0)

8.3.1 OVERVIEW

The TC0 is an 8-bit binary up timer and event counter, using TC0M register to select TC0C's clock source from Fcpu or from external INT0 pin (falling edge trigger) for counting a precision time. If TC0 timer occurs an overflow (from FFH to 00H), it will continue counting and issue a time-out signal to trigger TC0 interrupt to request interrupt service.

The main purposes of the TC0 timer is as following.

- **8-bit programmable timer:** Generates interrupts at specific time intervals based on the selected clock frequency.
- **External event counter:** Counts system "events" based on falling edge detection of external clock signals at the INT0 input pin.
- **Buzzer output**
- **PWM output**



8.3.2 TC0M MODE REGISTER

0DAH	Bit 7	Bit 6	Bit 5	Bit 4	Bit 3	Bit 2	Bit 1	Bit 0
TC0M	TC0ENB	TC0rate2	TC0rate1	TC0rate0	TC0CKS	ALOAD0	TC0OUT	PWM0OUT
Read/Write	R/W	R/W	R/W	R/W	R/W	R/W	R/W	R/W
After reset	0	0	0	0	0	0	0	0

TC0ENB: TC0 counter control bit. 0 = disable, 1 = enable.

TC0RATE2~TC0RATE0: TC0 internal clock select bits. 000 = fcpu/256, 001 = fcpu/128, ... , 110 = fcpu/4, 111 = fcpu/2.

TC0CKS: TC0 clock source select bit. 0 = Fcpu, 1 = External clock comes from INT0/P0.0 pin.

ALOAD0: Auto-reload control bit. 0 = disable. 1 = enable.

TC0OUT: TC0 time out toggle signal output control bit. **Only valid when PWM0OUT = 0.**

0 = Disable, P5.4 is I/O function.

1 = Enable, P5.4 is output TC0OUT signal.

PWM0OUT: PWM output control bit. 0 = disable. 1 = enable.

PWM duty selection table. (Only valid when PWM0OUT = 1)

ALOAD0	TC0OUT	TC0 Overflow boundary	PWM duty range	Max PWM Frequency (Fcpu = 4M)	Note
0	0	FFh to 00h	0/256 ~ 255/256	7.8125K	Overflow per 256 count
0	1	3Fh to 40h	0/64 ~ 63/64	31.25K	Overflow per 64 count
1	0	1Fh to 20h	0/32 ~ 31/32	62.5K	Overflow per 32 count
1	1	0Fh to 10h	0/16 ~ 15/16	125K	Overflow per 16 count

➤ **Note: When TC0CKS=1, TC0 became an external event counter. No more P0.0 interrupt request will be raised. (P0.0IRQ will be always 0)**

8.3.3 TC0C COUNTING REGISTER

TC0C is an 8-bit counter register for TC0 interval time control.

ODBH	Bit 7	Bit 6	Bit 5	Bit 4	Bit 3	Bit 2	Bit 1	Bit 0
TC0C	TC0C7	TC0C6	TC0C5	TC0C4	TC0C3	TC0C2	TC0C1	TC0C0
Read/Write	R/W	R/W	R/W	R/W	R/W	R/W	R/W	R/W
After reset	0	0	0	0	0	0	0	0

The basic timer table interval time of TC0

TC0RATE	TC0CLOCK	High speed mode (Fcpu = 3.58MHz / 4)		Low speed mode (Fcpu = 32768Hz / 4)	
		Max overflow interval	One step = max/256	Max overflow interval	One step = max/256
000	fcpu/256	73.2 ms	286us	8000 ms	31.25 ms
001	fcpu/128	36.6 ms	143us	4000 ms	15.63 ms
010	fcpu/64	18.3 ms	71.5us	2000 ms	7.8 ms
011	fcpu/32	9.15 ms	35.8us	1000 ms	3.9 ms
100	fcpu/16	4.57 ms	17.9us	500 ms	1.95 ms
101	fcpu/8	2.28 ms	8.94us	250 ms	0.98 ms
110	fcpu/4	1.14 ms	4.47us	125 ms	0.49 ms
111	fcpu/2	0.57 ms	2.23us	62.5 ms	0.24 ms

The equation of TC0C initial value is as following.

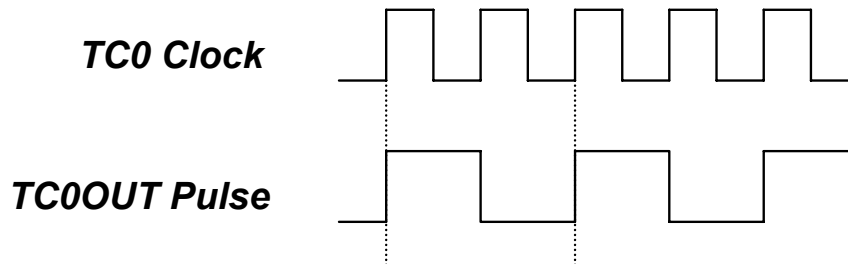
$$TC0C \text{ initial value} = 256 - (TC0 \text{ interrupt interval time} * \text{input clock})$$

- ⇒ Example: To set 10ms interval time for TC0 interrupt at 3.58MHz high-speed mode. TC0C value (74H) = $256 - (10\text{ms} * \text{fcpu}/64)$. Let $F_{cpu} = F_{osc} / 4$

$$\begin{aligned}
 TC0C \text{ initial value} &= 256 - (TC0 \text{ interrupt interval time} * \text{input clock}) \\
 &= 256 - (10\text{ms} * 3.58 * 10^6 / 4 / 64) \\
 &= 256 - (10^{-2} * 3.58 * 10^6 / 4 / 64) \\
 &= 116 \\
 &= 74H
 \end{aligned}$$

8.4 BUZZER OUTPUT

Buzzer output (TC0OUT) is from TC0 timer/counter frequency output function. By setting the TC0 clock frequency, the clock signal is output to P5.4 and the P5.4 general purpose I/O function is auto-disable. The TC0 output signal divides by 2. The TC0 clock has many combinations and easily to make difference frequency. The TC0OUT frequency waveform is as following.



- ➔ **Example: Setup TC0OUT output from TC0 to TC0OUT (P5.4). The external high-speed clock is 4MHz. The TC0OUT frequency is 0.5KHz. Because the TC0OUT signal is divided by 2, set the TC0 clock to 1KHz. The TC0 clock source is from external oscillator clock. T0C rate is $F_{cpu}/4$. The $TC0RATE2 \sim TC0RATE1 = 110$. $TC0C = TC0R = 131$.**

```

MOV      A,#01100000B
B0MOV   TC0M,A           ; Set the TC0 rate to Fcpu/4

MOV      A,#131
B0MOV   TC0C,A           ; Set the auto-reload reference value
B0MOV   TC0R,A

B0BSET  FTC0OUT          ; Enable TC0 output to P5.4 and disable P5.4 I/O function
B0BSET  FALOAD0          ; Enable TC0 auto-reload function
B0BSET  FTC0ENB          ; Enable TC0 timer

```

8.4.1 TC0OUT FREQUENCY TABLE

 $F_{osc} = 4MHz$, $TC0\ Rate = F_{cpu}/8$

TC0R	TC0OUT (KHz)	TC0R	TC0OUT (KHz)	TC0R	TC0OUT (KHz)	TC0R	TC0OUT (KHz)	TC0R	TC0OUT (KHz)
0	0.2441	56	0.3125	112	0.4340	168	0.7102	224	1.9531
1	0.2451	57	0.3141	113	0.4371	169	0.7184	225	2.0161
2	0.2461	58	0.3157	114	0.4401	170	0.7267	226	2.0833
3	0.2470	59	0.3173	115	0.4433	171	0.7353	227	2.1552
4	0.2480	60	0.3189	116	0.4464	172	0.7440	228	2.2321
5	0.2490	61	0.3205	117	0.4496	173	0.7530	229	2.3148
6	0.2500	62	0.3222	118	0.4529	174	0.7622	230	2.4038
7	0.2510	63	0.3238	119	0.4562	175	0.7716	231	2.5000
8	0.2520	64	0.3255	120	0.4596	176	0.7813	232	2.6042
9	0.2530	65	0.3272	121	0.4630	177	0.7911	233	2.7174
10	0.2541	66	0.3289	122	0.4664	178	0.8013	234	2.8409
11	0.2551	67	0.3307	123	0.4699	179	0.8117	235	2.9762
12	0.2561	68	0.3324	124	0.4735	180	0.8224	236	3.1250
13	0.2572	69	0.3342	125	0.4771	181	0.8333	237	3.2895
14	0.2583	70	0.3360	126	0.4808	182	0.8446	238	3.4722
15	0.2593	71	0.3378	127	0.4845	183	0.8562	239	3.6765
16	0.2604	72	0.3397	128	0.4883	184	0.8681	240	3.9063
17	0.2615	73	0.3415	129	0.4921	185	0.8803	241	4.1667
18	0.2626	74	0.3434	130	0.4960	186	0.8929	242	4.4643
19	0.2637	75	0.3453	131	0.5000	187	0.9058	243	4.8077
20	0.2648	76	0.3472	132	0.5040	188	0.9191	244	5.2083
21	0.2660	77	0.3492	133	0.5081	189	0.9328	245	5.6818
22	0.2671	78	0.3511	134	0.5123	190	0.9470	246	6.2500
23	0.2682	79	0.3531	135	0.5165	191	0.9615	247	6.9444
24	0.2694	80	0.3551	136	0.5208	192	0.9766	248	7.8125
25	0.2706	81	0.3571	137	0.5252	193	0.9921	249	8.9286
26	0.2717	82	0.3592	138	0.5297	194	1.0081	250	10.4167
27	0.2729	83	0.3613	139	0.5342	195	1.0246	251	12.5000
28	0.2741	84	0.3634	140	0.5388	196	1.0417	252	15.6250
29	0.2753	85	0.3655	141	0.5435	197	1.0593	253	20.8333
30	0.2765	86	0.3676	142	0.5482	198	1.0776	254	31.2500
31	0.2778	87	0.3698	143	0.5531	199	1.0965	255	62.5000
32	0.2790	88	0.3720	144	0.5580	200	1.1161		
33	0.2803	89	0.3743	145	0.5631	201	1.1364		
34	0.2815	90	0.3765	146	0.5682	202	1.1574		
35	0.2828	91	0.3788	147	0.5734	203	1.1792		
36	0.2841	92	0.3811	148	0.5787	204	1.2019		
37	0.2854	93	0.3834	149	0.5841	205	1.2255		
38	0.2867	94	0.3858	150	0.5896	206	1.2500		
39	0.2880	95	0.3882	151	0.5952	207	1.2755		
40	0.2894	96	0.3906	152	0.6010	208	1.3021		
41	0.2907	97	0.3931	153	0.6068	209	1.3298		
42	0.2921	98	0.3956	154	0.6127	210	1.3587		
43	0.2934	99	0.3981	155	0.6188	211	1.3889		
44	0.2948	100	0.4006	156	0.6250	212	1.4205		
45	0.2962	101	0.4032	157	0.6313	213	1.4535		
46	0.2976	102	0.4058	158	0.6378	214	1.4881		
47	0.2990	103	0.4085	159	0.6443	215	1.5244		
48	0.3005	104	0.4112	160	0.6510	216	1.5625		
49	0.3019	105	0.4139	161	0.6579	217	1.6026		
50	0.3034	106	0.4167	162	0.6649	218	1.6447		
51	0.3049	107	0.4195	163	0.6720	219	1.6892		
52	0.3064	108	0.4223	164	0.6793	220	1.7361		
53	0.3079	109	0.4252	165	0.6868	221	1.7857		
54	0.3094	110	0.4281	166	0.6944	222	1.8382		
55	0.3109	111	0.4310	167	0.7022	223	1.8939		

Fosc = 16MHz, TC0 Rate = Fcpu/8

TC0R	TC0OUT (KHz)	TC0R	TC0OUT (KHz)	TC0R	TC0OUT (KHz)	TC0R	TC0OUT (KHz)	TC0R	TC0OUT (KHz)
0	0.9766	56	1.2500	112	1.7361	168	2.8409	224	7.8125
1	0.9804	57	1.2563	113	1.7483	169	2.8736	225	8.0645
2	0.9843	58	1.2626	114	1.7606	170	2.9070	226	8.3333
3	0.9881	59	1.2690	115	1.7730	171	2.9412	227	8.6207
4	0.9921	60	1.2755	116	1.7857	172	2.9762	228	8.9286
5	0.9960	61	1.2821	117	1.7986	173	3.0120	229	9.2593
6	1.0000	62	1.2887	118	1.8116	174	3.0488	230	9.6154
7	1.0040	63	1.2953	119	1.8248	175	3.0864	231	10.0000
8	1.0081	64	1.3021	120	1.8382	176	3.1250	232	10.4167
9	1.0121	65	1.3089	121	1.8519	177	3.1646	233	10.8696
10	1.0163	66	1.3158	122	1.8657	178	3.2051	234	11.3636
11	1.0204	67	1.3228	123	1.8797	179	3.2468	235	11.9048
12	1.0246	68	1.3298	124	1.8939	180	3.2895	236	12.5000
13	1.0288	69	1.3369	125	1.9084	181	3.3333	237	13.1579
14	1.0331	70	1.3441	126	1.9231	182	3.3784	238	13.8889
15	1.0373	71	1.3514	127	1.9380	183	3.4247	239	14.7059
16	1.0417	72	1.3587	128	1.9531	184	3.4722	240	15.6250
17	1.0460	73	1.3661	129	1.9685	185	3.5211	241	16.6667
18	1.0504	74	1.3736	130	1.9841	186	3.5714	242	17.8571
19	1.0549	75	1.3812	131	2.0000	187	3.6232	243	19.2308
20	1.0593	76	1.3889	132	2.0161	188	3.6765	244	20.8333
21	1.0638	77	1.3966	133	2.0325	189	3.7313	245	22.7273
22	1.0684	78	1.4045	134	2.0492	190	3.7879	246	25.0000
23	1.0730	79	1.4124	135	2.0661	191	3.8462	247	27.7778
24	1.0776	80	1.4205	136	2.0833	192	3.9063	248	31.2500
25	1.0823	81	1.4286	137	2.1008	193	3.9683	249	35.7143
26	1.0870	82	1.4368	138	2.1186	194	4.0323	250	41.6667
27	1.0917	83	1.4451	139	2.1368	195	4.0984	251	50.0000
28	1.0965	84	1.4535	140	2.1552	196	4.1667	252	62.5000
29	1.1013	85	1.4620	141	2.1739	197	4.2373	253	83.3333
30	1.1062	86	1.4706	142	2.1930	198	4.3103	254	125.0000
31	1.1111	87	1.4793	143	2.2124	199	4.3860	255	250.0000
32	1.1161	88	1.4881	144	2.2321	200	4.4643		
33	1.1211	89	1.4970	145	2.2523	201	4.5455		
34	1.1261	90	1.5060	146	2.2727	202	4.6296		
35	1.1312	91	1.5152	147	2.2936	203	4.7170		
36	1.1364	92	1.5244	148	2.3148	204	4.8077		
37	1.1416	93	1.5337	149	2.3364	205	4.9020		
38	1.1468	94	1.5432	150	2.3585	206	5.0000		
39	1.1521	95	1.5528	151	2.3810	207	5.1020		
40	1.1574	96	1.5625	152	2.4038	208	5.2083		
41	1.1628	97	1.5723	153	2.4272	209	5.3191		
42	1.1682	98	1.5823	154	2.4510	210	5.4348		
43	1.1737	99	1.5924	155	2.4752	211	5.5556		
44	1.1792	100	1.6026	156	2.5000	212	5.6818		
45	1.1848	101	1.6129	157	2.5253	213	5.8140		
46	1.1905	102	1.6234	158	2.5510	214	5.9524		
47	1.1962	103	1.6340	159	2.5773	215	6.0976		
48	1.2019	104	1.6447	160	2.6042	216	6.2500		
49	1.2077	105	1.6556	161	2.6316	217	6.4103		
50	1.2136	106	1.6667	162	2.6596	218	6.5789		
51	1.2195	107	1.6779	163	2.6882	219	6.7568		
52	1.2255	108	1.6892	164	2.7174	220	6.9444		
53	1.2315	109	1.7007	165	2.7473	221	7.1429		
54	1.2376	110	1.7123	166	2.7778	222	7.3529		
55	1.2438	111	1.7241	167	2.8090	223	7.5758		

8.5 PWM FUNCTION DESCRIPTION

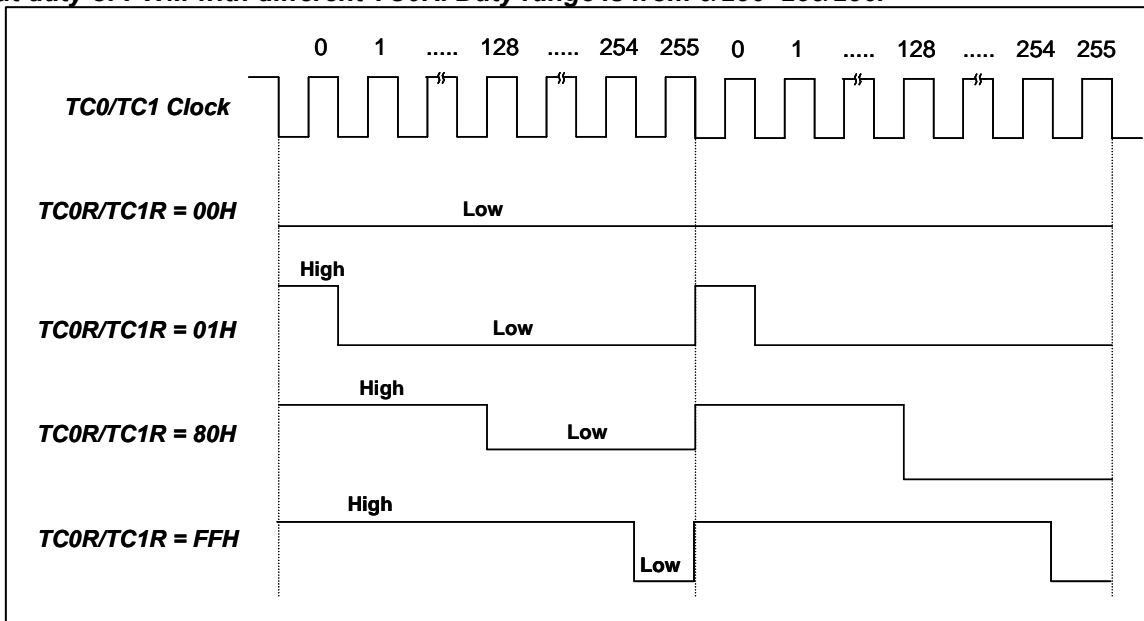
8.5.1 OVERVIEW

PWM function is generated by TC0 timer counter and output the PWM signal to PWM0OUT pin (P5.4). The 8-bit counter counts modulus 256, 64, 32, 16 controlled by ALOAD0, TC0OUT bits. The value of the 8-bit counter is compared to the contents of the reference register (TC0R). When the reference register value (TC0R) is equal to the counter value (TC0C), the PWM output goes low. When the counter reaches zero, the PWM output is forced high. The low-to-high ratio (duty) of the PWM0 output is TC0R/256, 64, 32, 16.

PWM output can be held at low level by continuously loading the reference register with 00H. Under PWM operating, to change the PWM's duty cycle is to modify the TC0R.

ALOAD0	TC0OUT	PWM duty range	TC0C valid value	TC0R valid bits value	MAX. PWM Frequency (F _{cpu} = 4MHz)	Remark
0	0	0/256~255/256	0x00~0xFF	0x00~0xFF	7.8125K	Overflow per 256 count
0	1	0/64~63/64	0x00~0x3F	0x00~0x3F	31.25K	Overflow per 64 count
1	0	0/32~31/32	0x00~0x1F	0x00~0x1F	62.5K	Overflow per 32 count
1	1	0/16~15/16	0x00~0x0F	0x00~0x0F	125K	Overflow per 16 count

The Output duty of PWM with different TC0R. Duty range is from 0/256~255/256.



8.5.2 PWM PROGRAM DESCRIPTION

- ⇒ **Example: Setup PWM0 output from TC0 to PWM0OUT (P5.4).** The external high-speed oscillator clock is 4MHz. $F_{cpu} = F_{osc}/4$. The duty of PWM is 30/256. The PWM frequency is about 1KHz. The PWM clock source is from external oscillator clock. TC0 rate is $F_{cpu}/4$. The $TC0RATE2 \sim TC0RATE1 = 110$. $TC0C = TC0R = 30$.

```

MOV      A,#01100000B
B0MOV   TC0M,A           ; Set the TC0 rate to Fcpu/4

MOV      A,#30
B0MOV   TC0C,A           ; Set the PWM duty to 30/256
B0MOV   TC0R,A

B0BCLR  FTC0OUT          ; Set duty range as 0/256~255/256.
B0BCLR  FALOAD0
B0BSET  FPWM0OUT         ; Enable PWM0 output to P5.4 and disable P5.4 I/O function
B0BSET  FTC0ENB          ; Enable TC0 timer

```

- **Note: The TC0R is write-only registers. Don't process them using INCMS, DECMS instructions.**

- ⇒ **Example: Modify TC0R registers' value.**

```

MOV      A, #30H          ; Input a number using B0MOV instruction.
B0MOV   TC0R, A

INCMS   BUF0              ; Get the new TC0R value from the BUF0 buffer defined by
B0MOV   A, BUF0           ; programming.
B0MOV   TC0R, BUF0

```

- **Note: That is better to set the TC0C and TC0R value together when PWM0 duty modified. It protects the PWM0 signal no glitch as PWM0 duty changing.**
- **Note: The PWM can work with interrupt request.**

9 INSTRUCTION SET TABLE

Field	Mnemonic	Description	C	DC	Z	Cycle	
MOV	A,M	$A \leftarrow M$	-	-	√	1	
	M,A	$M \leftarrow A$	-	-	-	1	
	A,M	$A \leftarrow M$ (bank 0)	-	-	√	1	
	M,A	M (bank 0) $\leftarrow A$	-	-	-	1	
	A,I	$A \leftarrow I$	-	-	-	1	
	M,I	$M \leftarrow I$, (M = only for Working registers R, Y, Z, RBANK & PFLAG)	-	-	-	1	
	A,M	$A \leftrightarrow M$	-	-	-	1+N	
	A,M	$A \leftrightarrow M$ (bank 0)	-	-	-	1+N	
	MOVC	R, A \leftarrow ROM [Y,Z]	-	-	-	2	
ARITH	A,M	$A \leftarrow A + M + C$, if occur carry, then C=1, else C=0	√	√	√	1	
	M,A	$M \leftarrow A + M + C$, if occur carry, then C=1, else C=0	√	√	√	1+N	
	A,M	$A \leftarrow A + M$, if occur carry, then C=1, else C=0	√	√	√	1	
	M,A	$M \leftarrow A + M$, if occur carry, then C=1, else C=0	√	√	√	1+N	
	M,A	M (bank 0) $\leftarrow M$ (bank 0) + A, if occur carry, then C=1, else C=0	√	√	√	1+N	
	A,I	$A \leftarrow A + I$, if occur carry, then C=1, else C=0	√	√	√	1	
	A,M	$A \leftarrow A - M - /C$, if occur borrow, then C=0, else C=1	√	√	√	1	
	M,A	$M \leftarrow A - M - /C$, if occur borrow, then C=0, else C=1	√	√	√	1+N	
	A,M	$A \leftarrow A - M$, if occur borrow, then C=0, else C=1	√	√	√	1	
	M,A	$M \leftarrow A - M$, if occur borrow, then C=0, else C=1	√	√	√	1+N	
	A,I	$A \leftarrow A - I$, if occur borrow, then C=0, else C=1	√	√	√	1	
		DAA	To adjust ACC's data format from HEX to DEC.	√	-	-	1
	LOGIC	A,M	$A \leftarrow A$ and M	-	-	√	1
		M,A	$M \leftarrow A$ and M	-	-	√	1+N
A,I		$A \leftarrow A$ and I	-	-	√	1	
A,M		$A \leftarrow A$ or M	-	-	√	1	
M,A		$M \leftarrow A$ or M	-	-	√	1+N	
A,I		$A \leftarrow A$ or I	-	-	√	1	
A,M		$A \leftarrow A$ xor M	-	-	√	1	
M,A		$M \leftarrow A$ xor M	-	-	√	1+N	
A,I		$A \leftarrow A$ xor I	-	-	√	1	
PUSH	M	A (b3~b0, b7~b4) \leftarrow M(b7~b4, b3~b0)	-	-	-	1	
	M	M (b3~b0, b7~b4) \leftarrow M(b7~b4, b3~b0)	-	-	-	1+N	
	M	$A \leftarrow$ RRC M	√	-	-	1	
	M	$M \leftarrow$ RRC M	√	-	-	1+N	
	M	$A \leftarrow$ RLC M	√	-	-	1	
	M	$M \leftarrow$ RLC M	√	-	-	1+N	
	M	$M \leftarrow 0$	-	-	-	1	
	M.b	$M.b \leftarrow 0$	-	-	-	1	
	M.b	$M.b \leftarrow 1$	-	-	-	1	
	M.b	M (bank 0).b $\leftarrow 0$	-	-	-	1	
M.b	M (bank 0).b $\leftarrow 1$	-	-	-	1		
BRANCH	A,I	ZF,C $\leftarrow A - I$, If A = I, then skip next instruction	√	-	√	1 + S	
	A,M	ZF,C $\leftarrow A - M$, If A = M, then skip next instruction	√	-	√	1 + S	
	M	$A \leftarrow M + 1$, If A = 0, then skip next instruction	-	-	-	1 + S	
	M	$M \leftarrow M + 1$, If M = 0, then skip next instruction	-	-	-	1+N+S	
	M	$A \leftarrow M - 1$, If A = 0, then skip next instruction	-	-	-	1 + S	
	M	$M \leftarrow M - 1$, If M = 0, then skip next instruction	-	-	-	1+N+S	
	M.b	If M.b = 0, then skip next instruction	-	-	-	1 + S	
	M.b	If M.b = 1, then skip next instruction	-	-	-	1 + S	
	M.b	If M(bank 0).b = 0, then skip next instruction	-	-	-	1 + S	
	M.b	If M(bank 0).b = 1, then skip next instruction	-	-	-	1 + S	
	d	PC15/14 \leftarrow RomPages1/0, PC13~PC0 \leftarrow d	-	-	-	2	
d	Stack \leftarrow PC15~PC0, PC15/14 \leftarrow RomPages1/0, PC13~PC0 \leftarrow d	-	-	-	2		
	RET	PC \leftarrow Stack	-	-	-	2	
	RETI	PC \leftarrow Stack, and to enable global interrupt	-	-	-	2	
	RETLW	PC \leftarrow Stack, and to load a value by PC+A	-	-	-	2	
	NOP	No operation	-	-	-	1	

Note: "M" is register and memory. "S" is instruction cycle of next instruction. If "M" is system registers then "N" = 0, otherwise "N" = 1.

10 ELECTRICAL CHARACTERISTIC

10.1 ABSOLUTE MAXIMUM RATING

Supply voltage (Vdd).....	- 0.3V ~ 6.0V
Input in voltage (Vin).....	Vss – 0.2V ~ Vdd + 0.2V
Operating ambient temperature (Topr).....	-20°C ~ + 70°C
Storage ambient temperature (Tstor)	-30°C ~ + 125°C
Power consumption(Pc).....	500mW

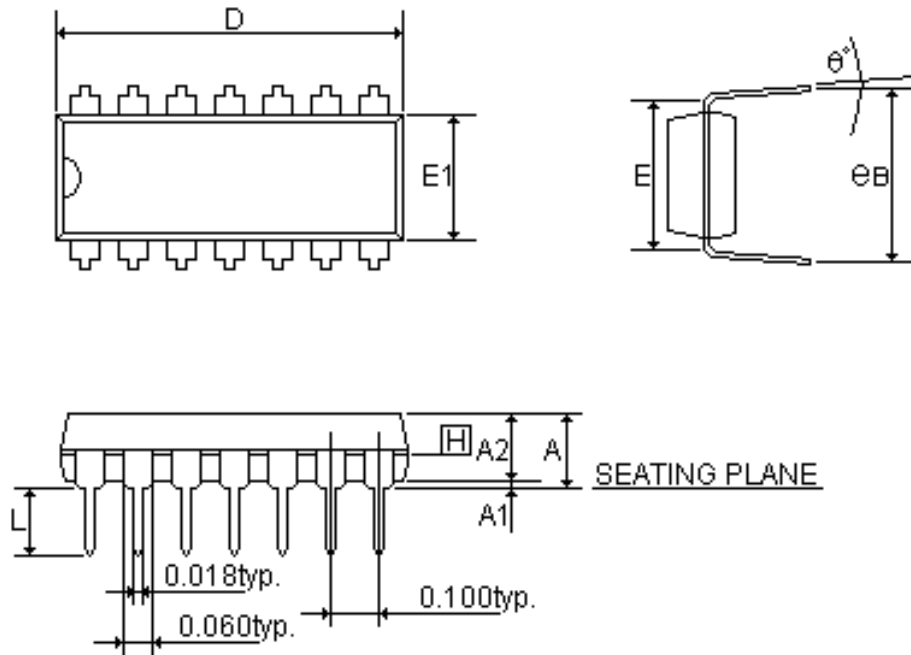
10.2 ELECTRICAL CHARACTERISTIC

(All of voltages refer to Vss, Vdd = 5.0V, fosc = 3.579545 MHz, ambient temperature is 25°C unless otherwise note.)

PARAMETER	SYM.	DESCRIPTION	MIN.	TYP.	MAX.	UNIT	
Operating voltage	Vdd	Normal mode, Vpp = Vdd	2.4	5.0	5.5	V	
		Programming mode, Vpp = 12.5V	-	6.0	-		
OTP programming voltage	Vpp	OTP programming voltage	-	12.5	-	V	
RAM Data Retention voltage	Vdr		-	1.5	-	V	
Internal POR	Vpor	Vdd rise rate to ensure internal power-on reset	-	0.05	-	V/ms	
Input Low Voltage	ViL1	All input pins except those specified below	Vss	-	0.3Vdd	V	
	ViL2	Input with Schmitt trigger buffer	Vss	-	0.2Vdd	V	
	ViL3	Reset pin ; Xin (in RC mode)	Vss	-	0.2Vdd	V	
	ViL4	Xin (in X'tal mode)	Vss	-	0.3Vdd	V	
Input High Voltage	ViH1	All input pins except those specified below	0.7Vdd	-	Vdd	V	
	ViH2	Input with Schmitt trigger buffer	0.8Vdd	-	Vdd	V	
	ViH3	Reset pin ; Xin (in RC mode)	0.9Vdd	-	Vdd	V	
	ViH4	Xin (in X'tal mode)	0.7Vdd	-	Vdd	V	
Reset pin leakage current	Ilekg	Vin = Vdd	-	-	1	uA	
I/O port pull-up resistor	Rup	Vin = Vss , Vdd = 5V	-	100	-	KΩ	
I/O port input leakage current	Ilekg	Pull-up resistor disable, Vin = Vdd	-	-	1	uA	
All Port source current sink current	IoH	Vop = Vdd – 0.5V	-	15	-	mA	
	IoL	Vop = Vss + 0.5V	-	15	-		
INTn trigger pulse width	Tint0	INT0 interrupt request pulse width	2/fcpu	-	-	cycle	
Supply Current	Idd1	Run Mode, no loading (Low Power Disable)	Vdd= 5V 4Mhz	-	2.5	-	mA
			Vdd= 3V 4Mhz	-	1	-	mA
			Vdd= 3V 32768Hz	-	25	-	uA
	Idd2	Internal RC mode (16KHz)	Vdd= 5V	-	25	-	uA
			Vdd= 3V	-	5	-	uA
	Idd3	Sleep Mode	Vdd= 5V	-	0.50	-	uA
			Vdd= 3V	-	0.30	-	uA
	Idd4	Green Mode High Clock	Vdd= 5V	-	0.50	-	mA
			Vdd= 3V	-	0.15	-	mA
		Green Mode Low Clock	Vdd= 5V	-	15	-	uA
Vdd= 3V			-	3	-	uA	
LVD detect level	VLVD	Low voltage detect level	-	1.8	-	V	

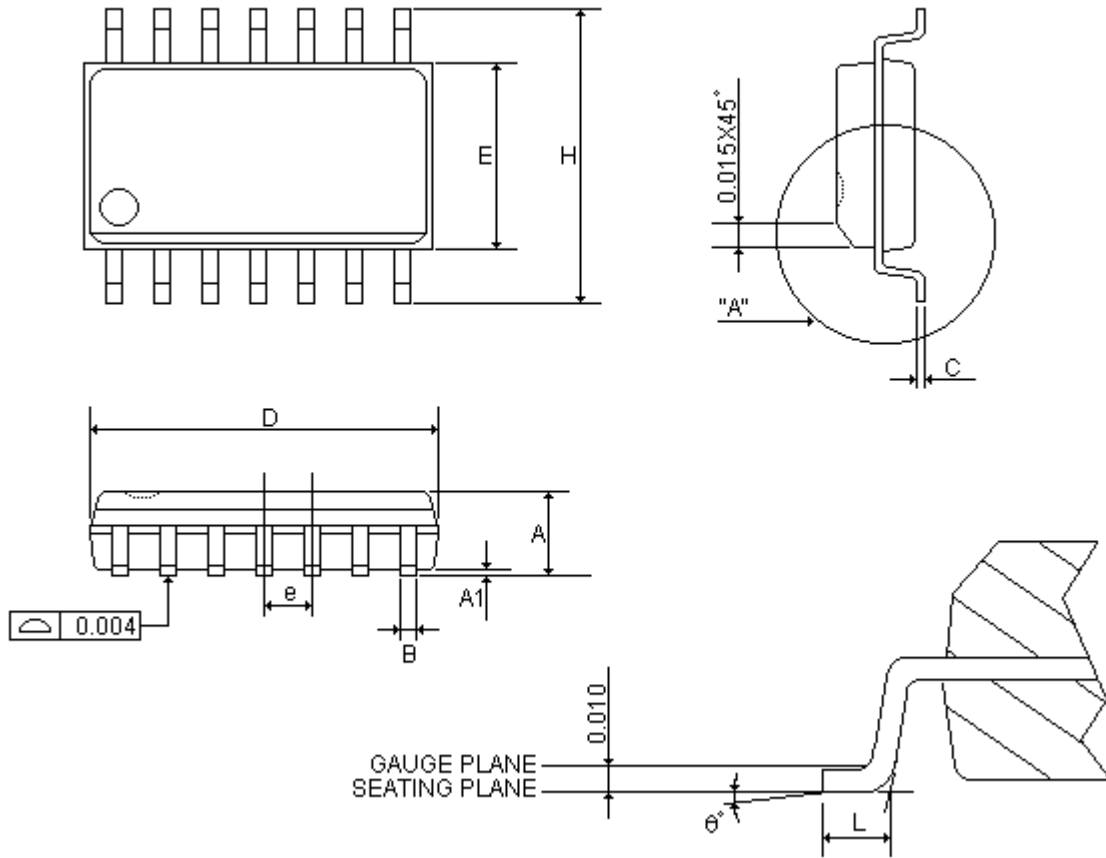
11 PACKAGE INFORMATION

11.1 P-DIP 14 PIN



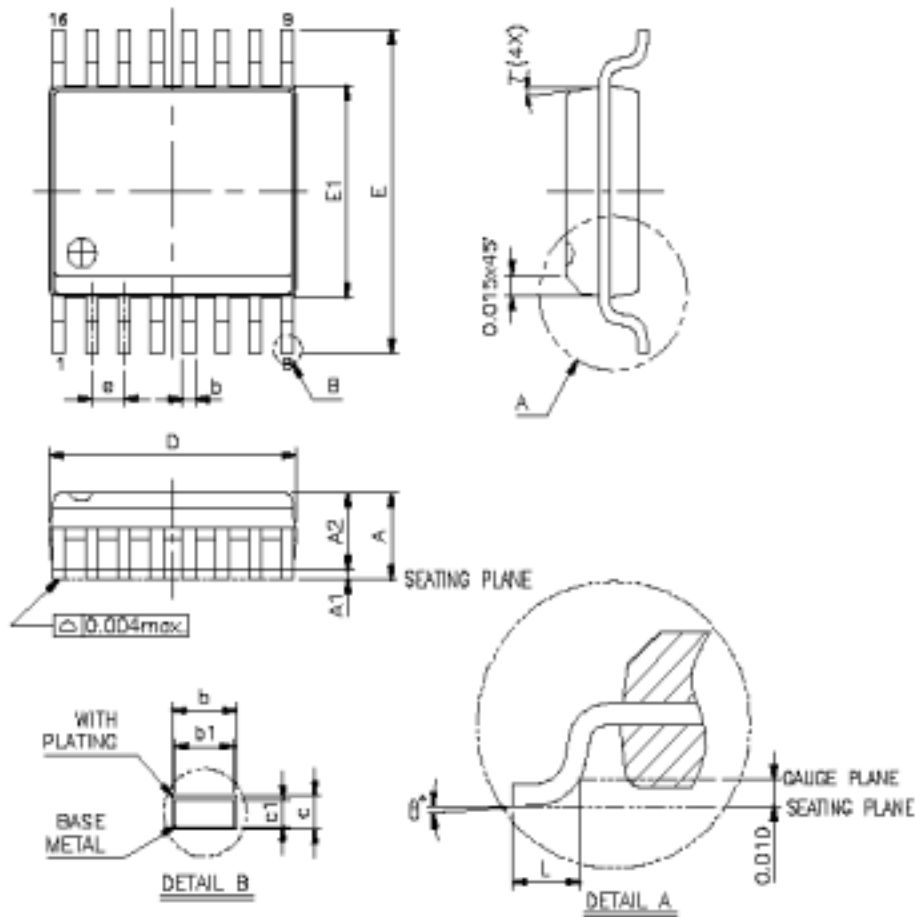
SYMBOLS	MIN	NOR	MAX	MIN	NOR	MAX
	(inch)			(mm)		
A	-	-	0.210	-	-	5.334
A1	0.015	-	-	0.381	-	-
A2	0.125	0.130	0.135	3.175	3.302	3.429
D	0.735	0.075	0.775	18.669	1.905	19.685
E	0.300			7.62		
E1	0.245	0.250	0.255	6.223	6.35	6.477
L	0.115	0.130	0.150	2.921	3.302	3.810
eB	0.335	0.355	0.375	8.509	9.017	9.525
θ°	0°	7°	15°	0°	7°	15°

11.2 SOP 14 PIN



SYMBOLS	MIN	NOR	MAX	MIN	NOR	MAX
	(inch)			(mm)		
A	0.058	0.064	0.068	1.4732	1.6256	1.7272
A1	0.004	-	0.010	0.1016	-	0.254
B	0.013	0.016	0.020	0.3302	0.4064	0.508
C	0.0075	0.008	0.0098	0.1905	0.2032	0.2490
D	0.336	0.341	0.344	8.5344	8.6614	8.7376
E	0.150	0.154	0.157	3.81	3.9116	3.9878
e	-	0.050	-	-	1.27	-
H	0.228	0.236	0.244	5.7912	5.9944	6.1976
L	0.015	0.025	0.050	0.381	0.635	1.27
θ°	0°	-	8°	0°	-	8°

11.3 SSOP 16 PIN



SYMBOLS	MIN	NOR	MAX	MIN	NOR	MAX
	(inch)			(mm)		
A	0.053	-	0.069	1.3462	-	1.7526
A1	0.004	-	0.010	0.1016	-	0.254
A2	-	-	0.059	-	-	1.4986
b	0.008	-	0.012	0.2032	-	0.3048
b1	0.008	-	0.011	0.2032	-	0.2794
c	0.007	-	0.010	0.1778	-	0.254
c1	0.007	-	0.009	0.1778	-	0.2286
D	0.189	-	0.197	4.8006	-	5.0038
E1	0.150	-	0.157	3.81	-	3.9878
E	0.228	-	0.244	5.7912	-	6.1976
L	0.016	-	0.050	0.4064	-	1.27
e	0.025 BASIC			0.635 BASIC		
θ°	0°	-	8°	0°	-	8°

SONIX reserves the right to make change without further notice to any products herein to improve reliability, function or design. SONIX does not assume any liability arising out of the application or use of any product or circuit described herein; neither does it convey any license under its patent rights nor the rights of others. SONIX products are not designed, intended, or authorized for use as components in systems intended, for surgical implant into the body, or other applications intended to support or sustain life, or for any other application in which the failure of the SONIX product could create a situation where personal injury or death may occur. Should Buyer purchase or use SONIX products for any such unintended or unauthorized application. Buyer shall indemnify and hold SONIX and its officers, employees, subsidiaries, affiliates and distributors harmless against all claims, cost, damages, and expenses, and reasonable attorney fees arising out of, directly or indirectly, any claim of personal injury or death associated with such unintended or unauthorized use even if such claim alleges that SONIX was negligent regarding the design or manufacture of the part.

Main Office:

Address: 9F, NO. 8, Hsien Cheng 5th St, Chupei City, Hsinchu, Taiwan R.O.C.
Tel: 886-3-551 0520
Fax: 886-3-551 0523

Taipei Office:

Address: 15F-2, NO. 171, Song Ted Road, Taipei, Taiwan R.O.C.
Tel: 886-2-2759 1980
Fax: 886-2-2759 8180

Hong Kong Office:

Address: Flat 3 9/F Energy Plaza 92 Granville Road, Tsimshatsui East Kowloon.
Tel: 852-2723 8086
Fax: 852-2723 9179

Technical Support by Email:

Sn8fae@sonix.com.tw