

HIGH VOLTAGE FAST-SWITCHING NPN POWER TRANSISTOR

- SGS-THOMSON PREFERRED SALESTYPE
- HIGH VOLTAGE CAPABILITY
- U.L. RECOGNISED ISOWATT218 PACKAGE (U.L. FILE # E81734 (N))
- NPN TRANSISTOR WITH INTEGRATED FREEWHEELING DIODE.

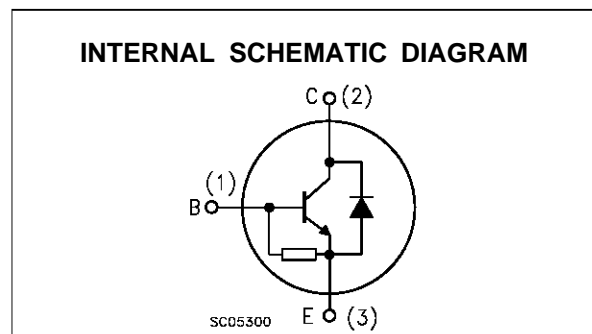
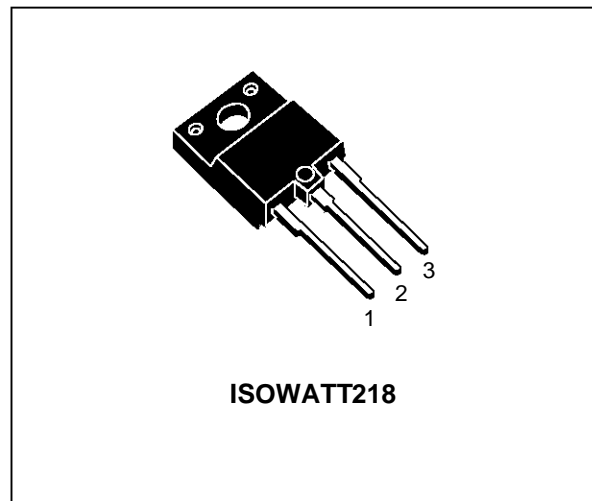
APPLICATIONS

- HORIZONTAL DEFLECTION FOR COLOUR TV

DESCRIPTION

This device is manufactured using Multi-epitaxial Mesa technology for cost-effective high performance and uses a Hollow Emitter structure to enhance switching speeds.

The THD series is designed for use in horizontal deflection circuits in televisions and monitors.



ABSOLUTE MAXIMUM RATINGS

| Symbol | Parameter | Value | Unit |
|-----------|---|------------|------------------|
| V_{CBO} | Collector-Base Voltage ($I_E = 0$) | 1500 | V |
| V_{CEO} | Collector-Emitter Voltage ($I_B = 0$) | 700 | V |
| V_{EBO} | Emitter-Base Voltage ($I_C = 0$) | 10 | V |
| I_C | Collector Current | 7 | A |
| I_{CM} | Collector Peak Current ($t_p < 5$ ms) | 12 | A |
| I_B | Base Current | 4 | A |
| I_{BM} | Base Peak Current ($t_p < 5$ ms) | 7 | A |
| P_{tot} | Total Dissipation at $T_c = 25^\circ\text{C}$ | 50 | W |
| T_{stg} | Storage Temperature | -65 to 150 | $^\circ\text{C}$ |
| T_j | Max. Operating Junction Temperature | 150 | $^\circ\text{C}$ |

THD218DHI

THERMAL DATA

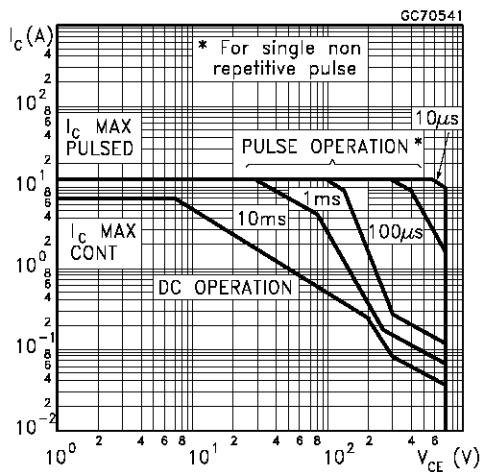
| | | | | |
|----------------|----------------------------------|-----|-----|---------------|
| $R_{thj-case}$ | Thermal Resistance Junction-case | Max | 2.5 | $^{\circ}C/W$ |
|----------------|----------------------------------|-----|-----|---------------|

ELECTRICAL CHARACTERISTICS ($T_{case} = 25^{\circ}C$ unless otherwise specified)

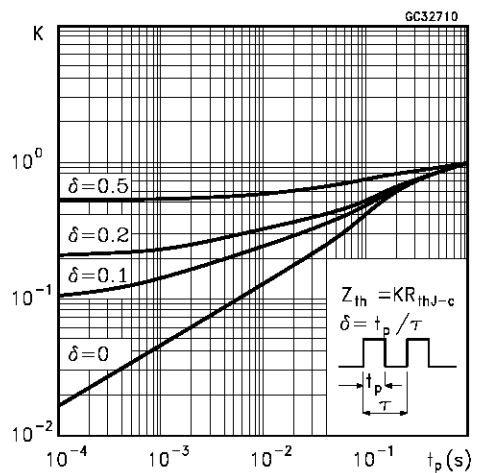
| Symbol | Parameter | Test Conditions | Min. | Typ. | Max. | Unit |
|----------------|---|--|----------|-------------|----------|--------------------|
| I_{CES} | Collector Cut-off Current ($V_{BE} = 0$) | $V_{CE} = 1500 V$ $V_{CE} = 1500 V$ $T_j = 125^{\circ}C$ | | | 0.2 2 | mA mA |
| I_{EBO} | Emitter Cut-off Current ($I_C = 0$) | $V_{EB} = 5 V$ | | | 300 | mA |
| $V_{CE(sat)*}$ | Collector-Emitter Saturation Voltage | $I_C = 4 A$ $I_B = 1 A$ | | | 1.5 | V |
| $V_{BE(sat)*}$ | Base-Emitter Saturation Voltage | $I_C = 4 A$ $I_B = 1 A$ | | | 1.3 | V |
| h_{FE*} | DC Current Gain | $I_C = 4 A$ $V_{CE} = 5 V$ $I_C = 4 A$ $V_{CE} = 5 V$ $T_j = 100^{\circ}C$ | 5 3.5 | | 10 | |
| t_s t_f | INDUCTIVE LOAD Storage Time Fall Time | $I_C = 4 A$ $f = 15625 Hz$ $I_{B1} = 1 A$ $I_{B2} = -2 A$ $V_{ceflyback} = 1050 \sin\left(\frac{\pi}{5} 10^6\right) t \text{ V}$ | | 4.7 0.48 | | μs μs |
| V_F | Diode Forward Voltage | $I_F = 4 A$ | | | 2.5 | V |

* Pulsed: Pulse duration = 300 μs , duty cycle 1.5 %

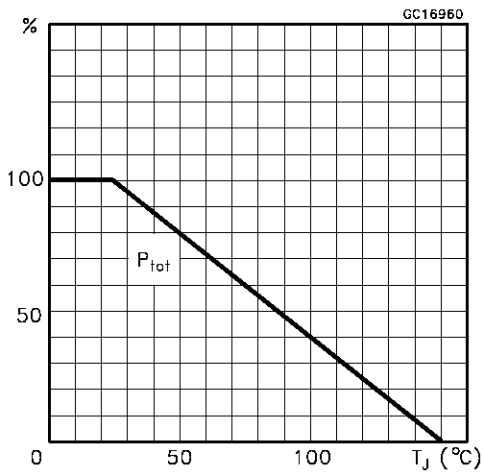
Safe Operating Area



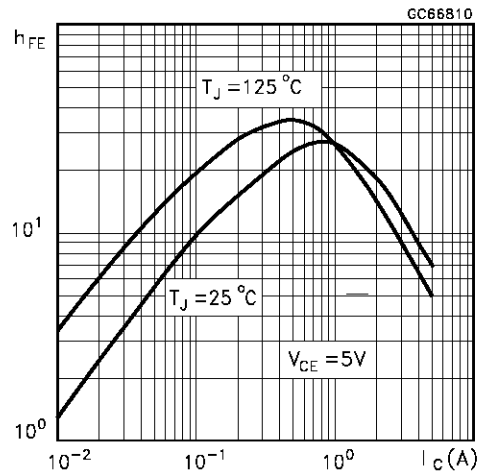
Thermal Impedance



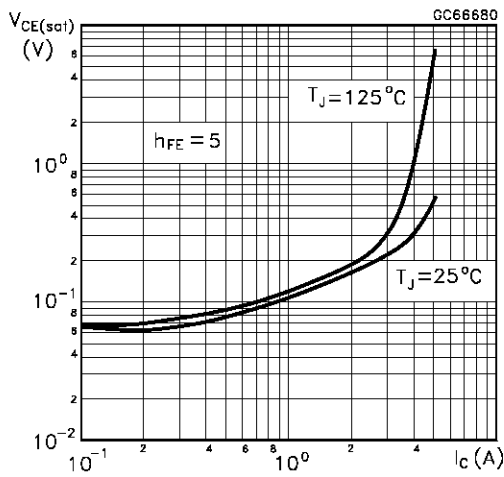
Derating Curve



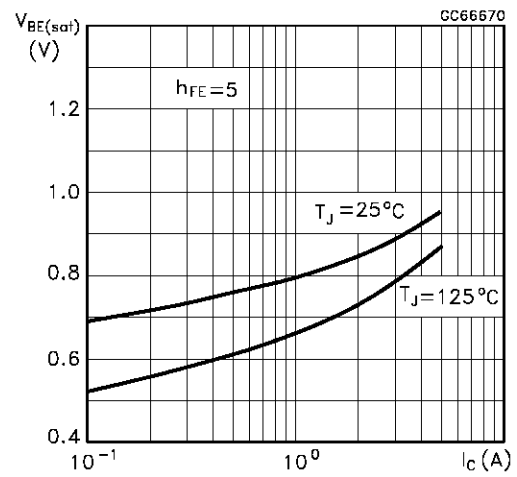
DC Current Gain



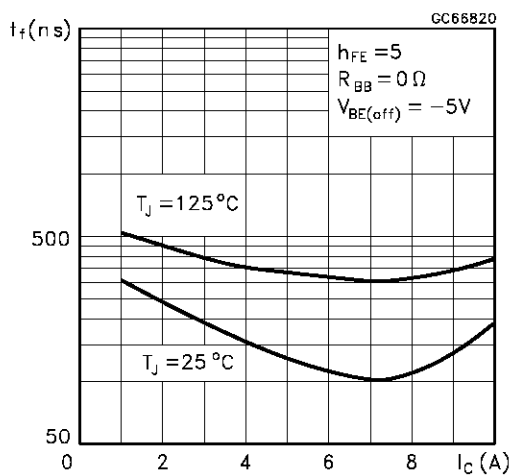
Collector Emitter Saturation Voltage



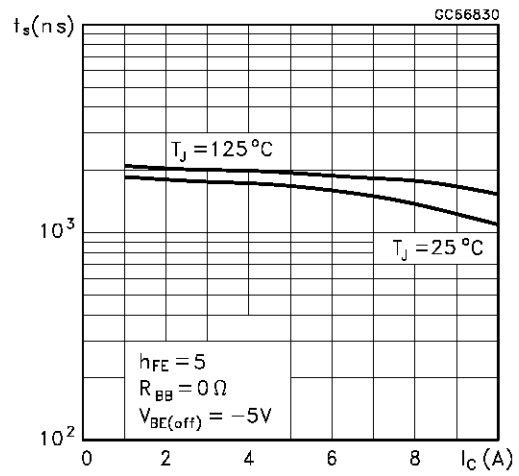
Base Emitter Saturation Voltage



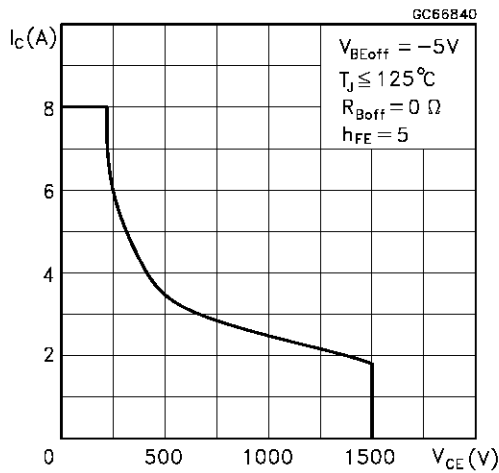
Inductive Fall Time



Inductive Storage Time



Reverse Biased SOA



BASE DRIVE INFORMATION

In order to saturate the power switch and reduce conduction losses, adequate direct base current I_{B1} has to be provided for the lowest gain h_{FE} at $100^\circ C$ (line scan phase). On the other hand, negative base current I_{B2} must be provided to turn off the power transistor (retrace phase).

Most of the dissipation, in the deflection application, occurs at switch-off. Therefore it is essential to determine the value of I_{B2} which minimizes power losses, fall time t_f and, consequently, T_j . A new set of curves have been defined to give total power losses, t_s and t_f as a function of I_{B2} at both 16 KHz and 32 KHz scanning frequencies for choosing the optimum negative drive. The test circuit is illustrated in

figure 1.

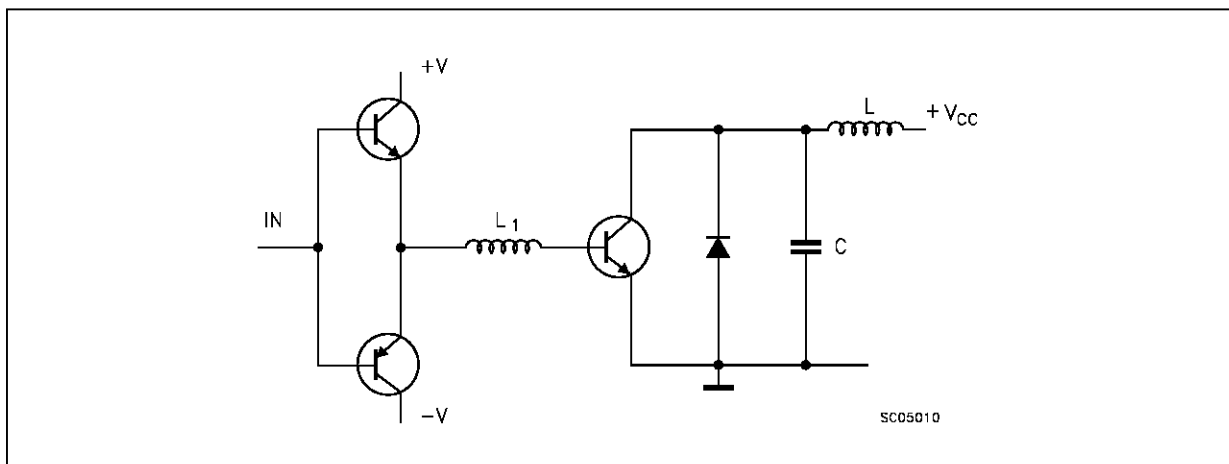
Inductance L_1 serves to control the slope of the negative base current I_{B2} to recombine the excess carrier in the collector when base current is still present, this would avoid any tailing phenomenon in the collector current.

The values of L and C are calculated from the following equations:

$$\frac{1}{2} L (I_C)^2 = \frac{1}{2} C (V_{CEfly})^2 \quad \omega = 2 \pi f = \frac{1}{\sqrt{LC}}$$

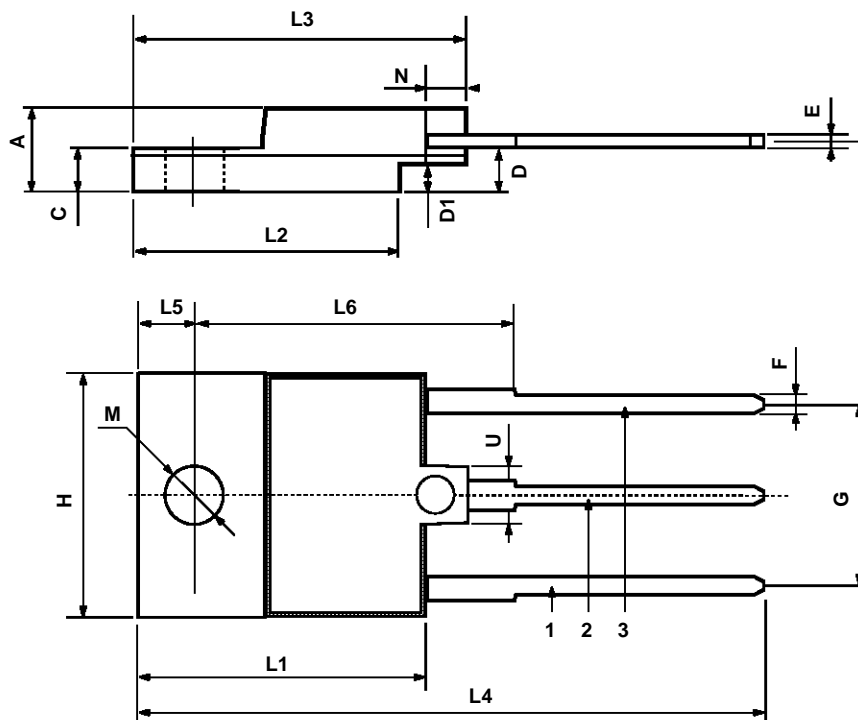
Where I_C = operating collector current, V_{CEfly} = flyback voltage, f = frequency of oscillation during retrace.

Figure 1: Inductive Load Switching Test Circuit.



ISOWATT218 MECHANICAL DATA

| DIM. | mm | | | inch | | |
|------|-------|------|-------|-------|-------|-------|
| | MIN. | TYP. | MAX. | MIN. | TYP. | MAX. |
| A | 5.35 | | 5.65 | 0.210 | | 0.222 |
| C | 3.3 | | 3.8 | 0.130 | | 0.149 |
| D | 2.9 | | 3.1 | 0.114 | | 0.122 |
| D1 | 1.88 | | 2.08 | 0.074 | | 0.081 |
| E | 0.75 | | 1 | 0.029 | | 0.039 |
| F | 1.05 | | 1.25 | 0.041 | | 0.049 |
| G | 10.8 | | 11.2 | 0.425 | | 0.441 |
| H | 15.8 | | 16.2 | 0.622 | | 0.637 |
| L1 | 20.8 | | 21.2 | 0.818 | | 0.834 |
| L2 | 19.1 | | 19.9 | 0.752 | | 0.783 |
| L3 | 22.8 | | 23.6 | 0.897 | | 0.929 |
| L4 | 40.5 | | 42.5 | 1.594 | | 1.673 |
| L5 | 4.85 | | 5.25 | 0.190 | | 0.206 |
| L6 | 20.25 | | 20.75 | 0.797 | | 0.817 |
| M | 3.5 | | 3.7 | 0.137 | | 0.145 |
| N | 2.1 | | 2.3 | 0.082 | | 0.090 |
| U | | 4.6 | | | 0.181 | |



P025C

Information furnished is believed to be accurate and reliable. However, SGS-THOMSON Microelectronics assumes no responsibility for the consequences of use of such information nor for any infringement of patents or other rights of third parties which may result from its use. No license is granted by implication or otherwise under any patent or patent rights of SGS-THOMSON Microelectronics. Specifications mentioned in this publication are subject to change without notice. This publication supersedes and replaces all information previously supplied. SGS-THOMSON Microelectronics products are not authorized for use as critical components in life support devices or systems without express written approval of SGS-THOMSON Microelectronics.

© 1997 SGS-THOMSON Microelectronics - Printed in Italy - All Rights Reserved

SGS-THOMSON Microelectronics GROUP OF COMPANIES
Australia - Brazil - Canada - China - France - Germany - Hong Kong - Italy - Japan - Korea - Malaysia - Malta - Morocco - The Netherlands -
Singapore - Spain - Sweden - Switzerland - Taiwan - Thailand - United Kingdom - U.S.A
...