

Preliminary

GENERAL DESCRIPTION

EM55000 series is a series of 3 to 340 seconds single chip high quality voice synthesizer IC which contains one 4-bit Input port (provided for EM55100 and above), three 4-bit I/O ports and a tiny controller. By programming through the tiny controller, user's application includes section combination, trigger mode, control outputs, keyboard matrix and other logic function can be easily implemented.

FEATURES

EM55XXX	001	002	100	200	250	300	350
Duration(sec)	3		5	10	15	21	31
ROM(bits)	10K x 10		16K x 10	32K x 10	48K x 10	64K x 10	96K x 10
PROGRAM ROM (bits)	8K x 10			32K x 10			
RAM (nibbles)	32		64	128			
IO PORTs	4 I/O	8 I/O	4 I+ 8 I/O				
D/A	Traditional DAC	Direct Drive		Direct Drive/Traditional DAC			
OSC	Ring type			Ring or Crystal type by option			
Reset Pin	No			Yes			

EM55XXX	400	450	500	550	600	650	700
Duration(sec)	42	63	85	127	170	255	340
ROM(bits)	128K x 10	192K x 10	256K x 10	384K x 10	512K x 10	768K x 10	1024K x 10
PROGRAM ROM (bits)	32K x 10						
RAM (nibbles)	128						
IO PORTs	4 I+ 8 I/O	4 I+ 12 I/O					
D/A	Direct Drive/Traditional DAC						
OSC	Ring or Crystal type by option						
Reset Pin	Yes						

- Single power supply.
- Crystal/Ring oscillator option.
- 3-340 seconds voice capacity.
- Power down mode for saving power consumption.
- Reset pin available.
- Single ROM for voice program. Maximum 32 K program addressing size available.
- Readable ROM data.
- One 6 bit timer overflow control is provided.
- Two stack for subroutine call.
- 5 bits ASPCM synthesis.
- 38K Hz modulation for IR transmission.
- 15 steps volume control.
- Direct Drive/traditional DAC.
- 8 bits resolution D/A.
- Green Voice™.

Preliminary

PIN DESCRIPTIONS

Symbol	I/O	Function
P1.0	I	Bit 0 of Port 1. (not for EM55001, EM55002)
P1.1	I	Bit 1 of Port 1. (not for EM55001, EM55002)
P1.2	I	Bit 2 of Port 1. (not for EM55001, EM55002)
P1.3	I	Bit 3 of Port 1. (not for EM55001, EM55002)
P2.0	I/O	Bit 0 of Port 2.
P2.1	I/O	Bit 1 of Port 2.
P2.2	I/O	Bit 2 of Port 2. (not for EM55001)
P2.3	I/O	Bit 3 of Port 2. (not for EM55001)
P3.0	I/O	Bit 0 of Port 3. (not for EM55001)
P3.1	I/O	Bit 1 of Port 3. (not for EM55001)
P3.2	I/O	Bit 2 of Port 3. The pin can generate 38KHz square wave.
P3.3	I/O	Bit 3 of Port 3. The pin can be treated as an LED output flashing with volume.
P4.0	I/O	Bit 0 of Port 4. (not for EM55001 ~ EM55400)
P4.1	I/O	Bit 1 of Port 4. (not for EM55001 ~ EM55400)
P4.2	I/O	Bit 2 of Port 4. (not for EM55001 ~ EM55400)
P4.3	I/O	Bit 3 of Port 4. (not for EM55001 ~ EM55400)
VDD	I	Positive digital power supply.
OSCI	I	Ring oscillator/crystal input pin.
RESET	I	Reset Pin. (not for EM55001, EM55002, EM55100)
OSCO	O	Crystal output pin. (not for EM55001, EM55002, EM55100)
TEST	I	For testing only. (not for EM55001, EM55002)
VSSD	I	Negative digital power supply.
VCC	I	Positive analog power supply. (not for EM55001)
VSSC	I	Negative analog power supply. (not for EM55001)
VO	O	Constant current output / Push Pull voice output.
VO1	O	Push Pull voice output. (not for EM55001)

Preliminary
ABSOLUTE MAXIMUM RATINGS

Items	Sym.	Min.	Max.	Unit
Supply Voltage	$V_{DD}-V_{SS}$	-0.3	6.0	V
Input Voltage	V_{IN}	$V_{SS}-0.3$	$V_{DD}+0.3$	V
Operating Temperature	T_{OP}	-20.0	70.0	°C
Storage Temperature	T_{STG}	-55.0	+125.0	°C

ELECTRICAL CHARACTERISTICS (25°C, VDD=3.0 Volts unless otherwise specified)

Parameter	Sym.	Min.	Typ.	Max.	Unit	Condition
Operating voltage	V_{DD}	2.2	3.0	5.5	V	
Standby current	I_{DDS}	-	-	2.0	μA	$V_{DD}=3V$
Operating current	I_{DDO}	-	250	350	μA	$V_{DD}=3V$, No load, constant current D/A operate
Operating current	I_{DDO}	-	2.0	4.0	mA	$V_{DD}=3V$, No load, push-pull current D/A operate
Drive current of P2,P3,P4	I_{OD}	2.0	3.0	-	mA	$V_{DD}=3V$, $V_o=2.4V$
Sink current of P2 (before KEYB)	I_{OS}	-	3.0	10.0	μA	$V_{DD}=3V$, $V_o=3V$
Sink current of P2(after KEYB)	I_{OS}	2.3	3.5	-	mA	$V_{DD}=3V$, $V_o=0.4V$
Sink current of P3,P4	I_{OS}	2.3	3.5	-	mA	$V_{DD}=3V$, $V_o=0.4V$
Input current of P1	I_{IH}	-	3.0	10.0	μA	$V_{DD}=3V$
Output current of VO	I_{VO}	4.0	5.2	6.4	mA	$V_{DD}=3V$, $V_o=0.7V$
Output current of VO,VO1	I_{VO}	120	150	180	mA	$V_{DD}=3V$, (for 8Ω speaker)
Oscillation resistor	R	-	470	-	KΩ	$V_{DD}=3V$, (for EM55001~55100)
			100	-	KΩ	$V_{DD}=3V$, (for EM55200~55700)
Oscillation frequency	F_{OSC}	1.08	1.2	1.32	MHz	$V_{DD}=2.2\sim 5.5V$

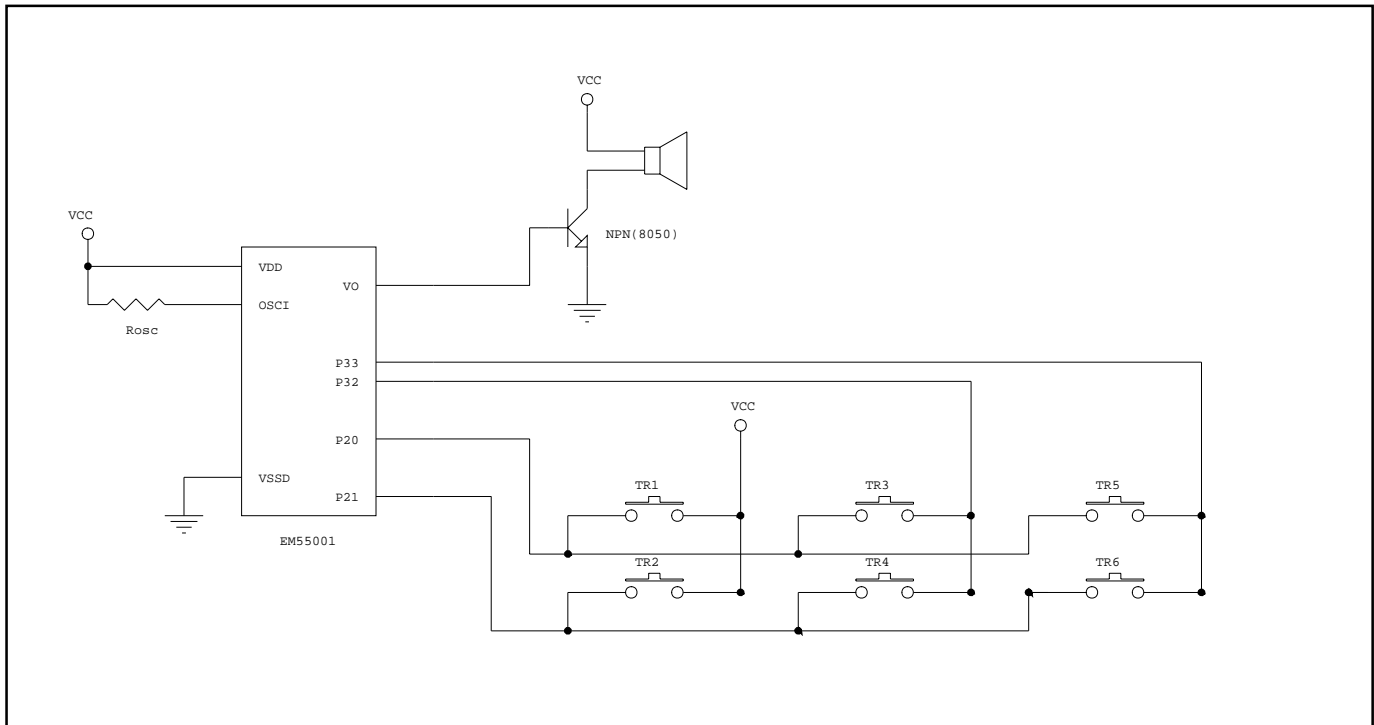
Preliminary

APPLICATION CIRCUIT

In the following application circuits:

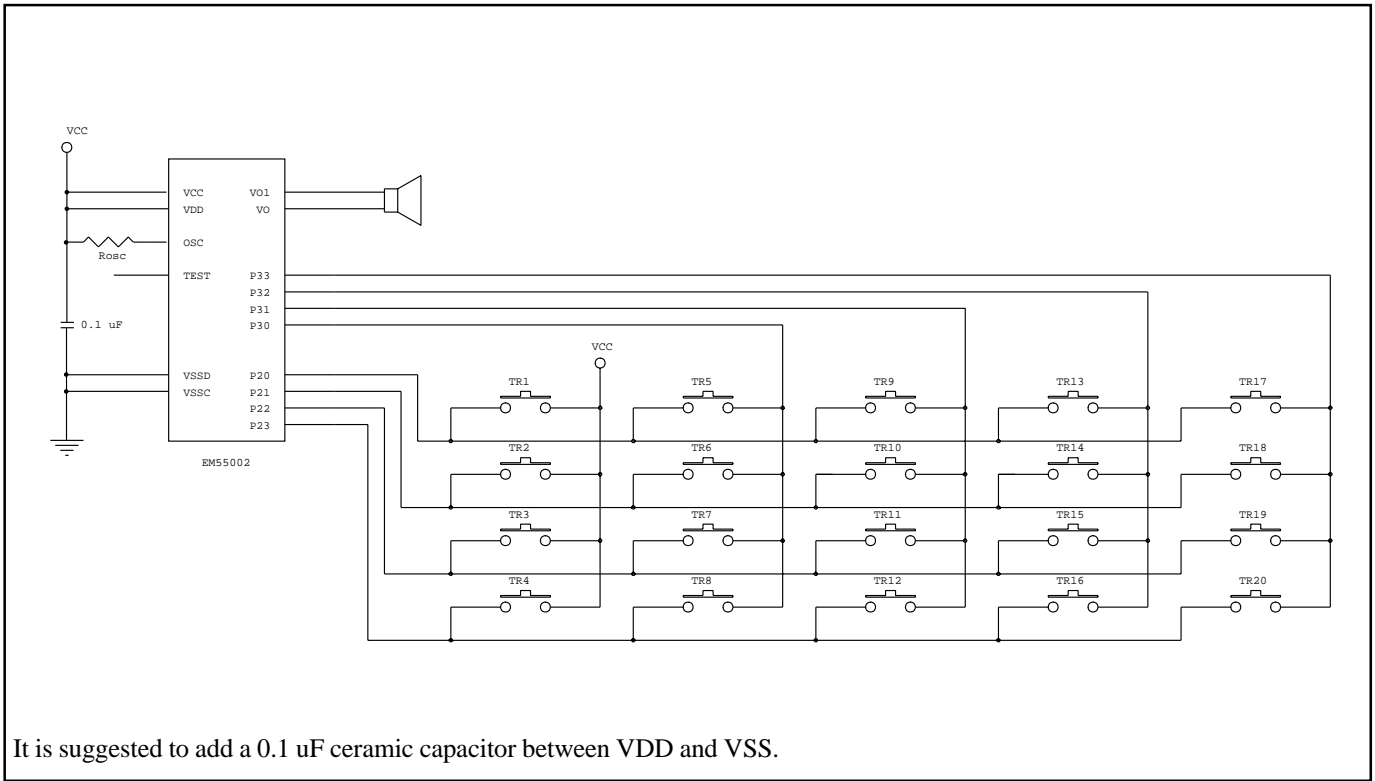
- *1 : For heavy loading application, adding an electrolytic capacitor between Vcc and Ground is recommended. The recommended value for button cell application is 10 μ F.
- *2 : The recommended value for button cell application is 750 Ω or less.

6-key Application Circuit For EM55001

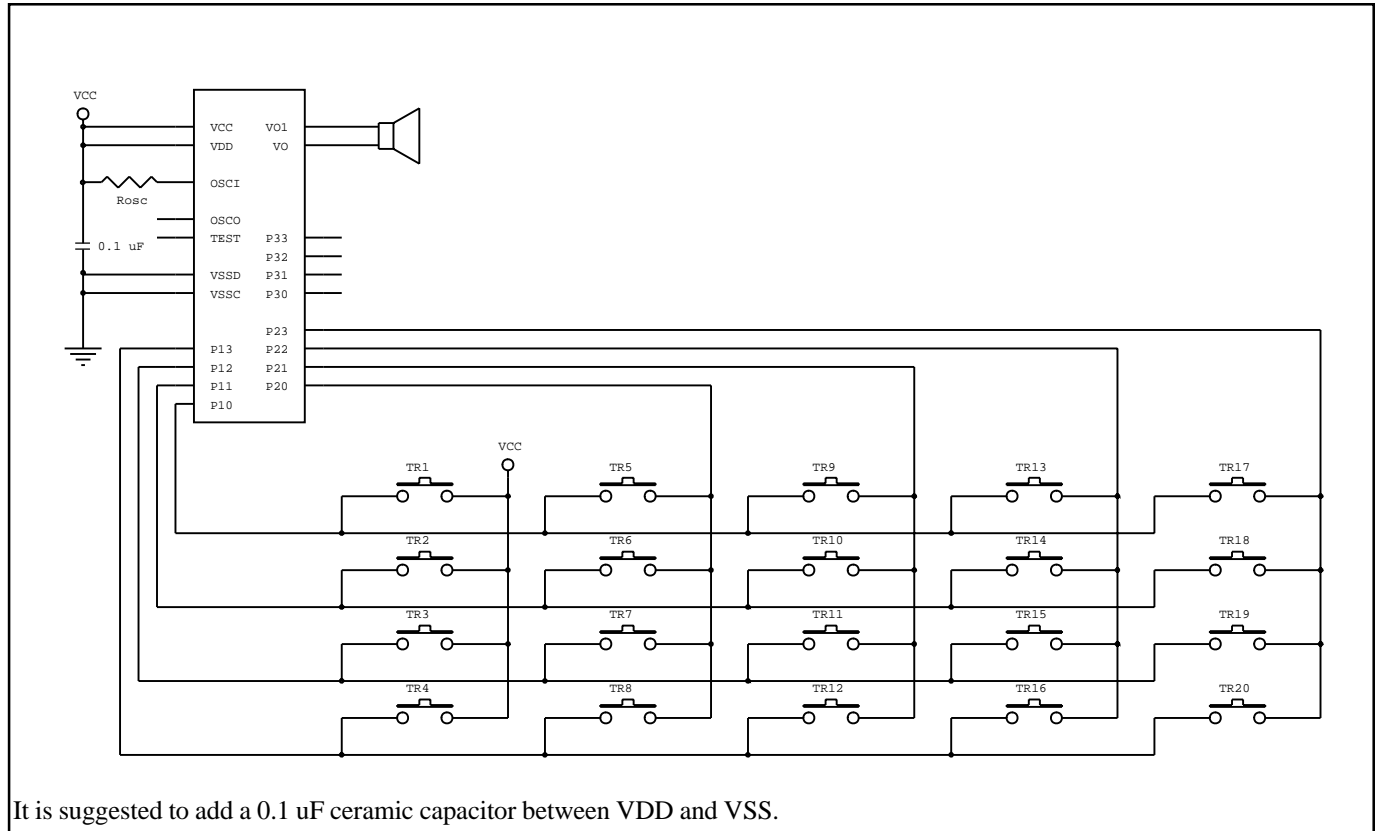


Preliminary

20-key Application Circuit For EM55002



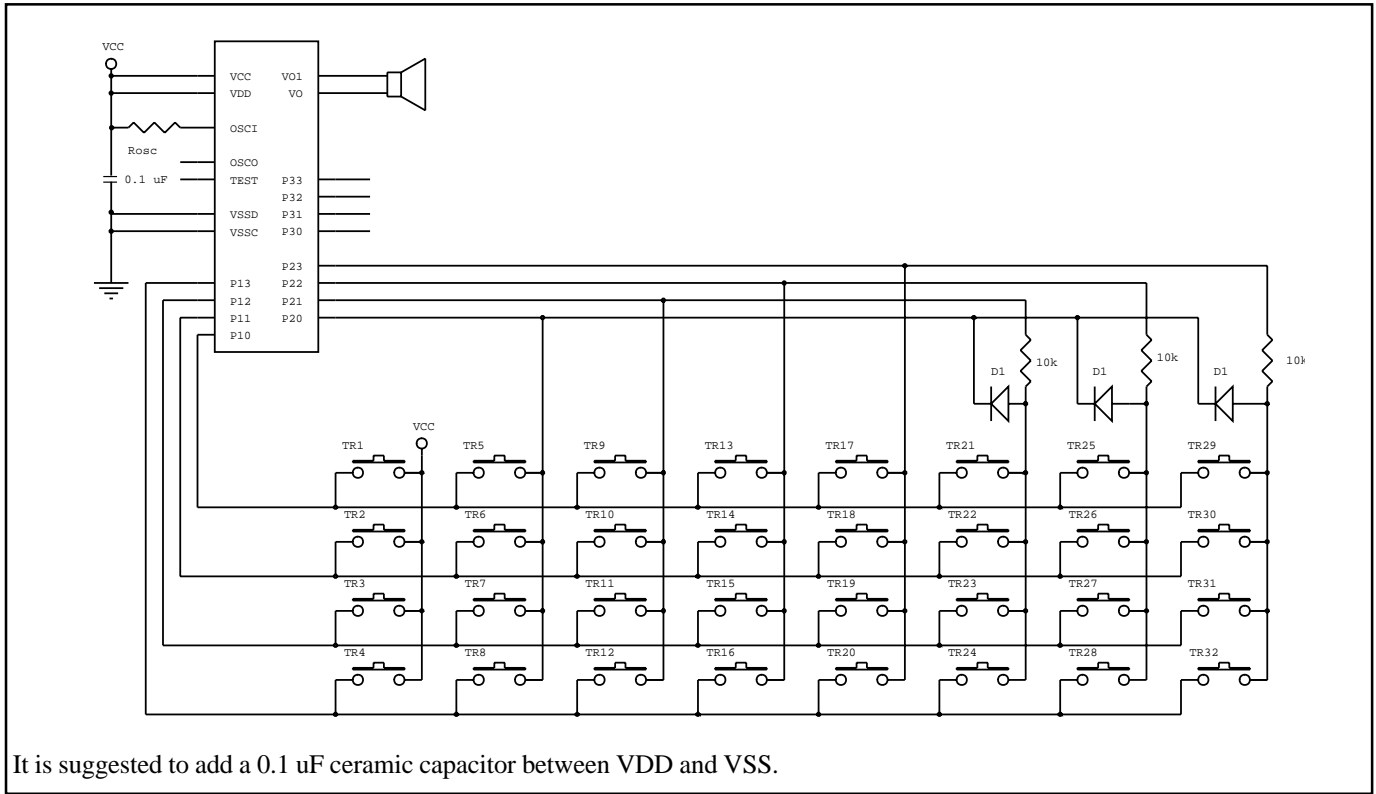
20-key Application Circuit For EM55100~EM55700



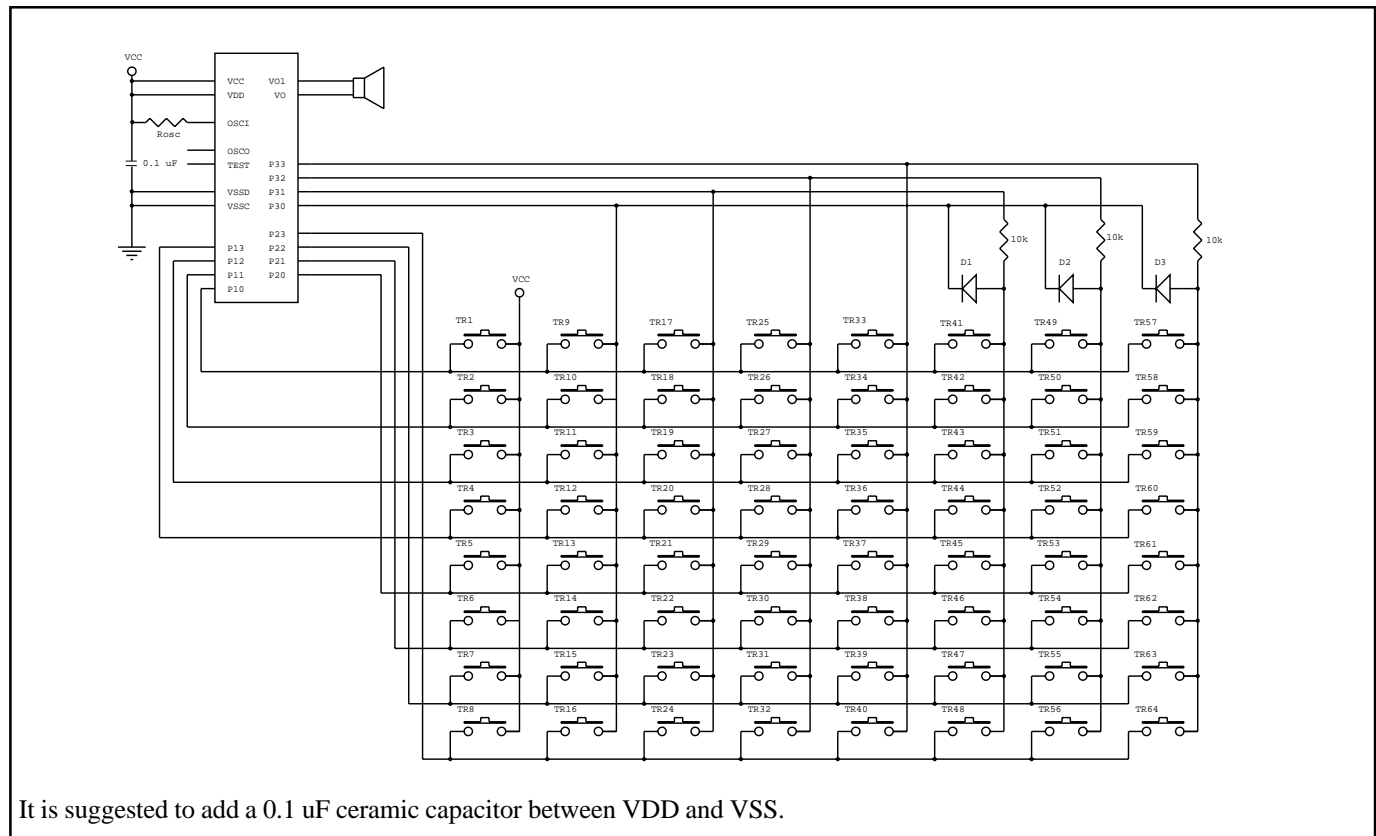
* This specification are subject to be changed without notice.

Preliminary

32-key Application Circuit For EM55100~EM55700



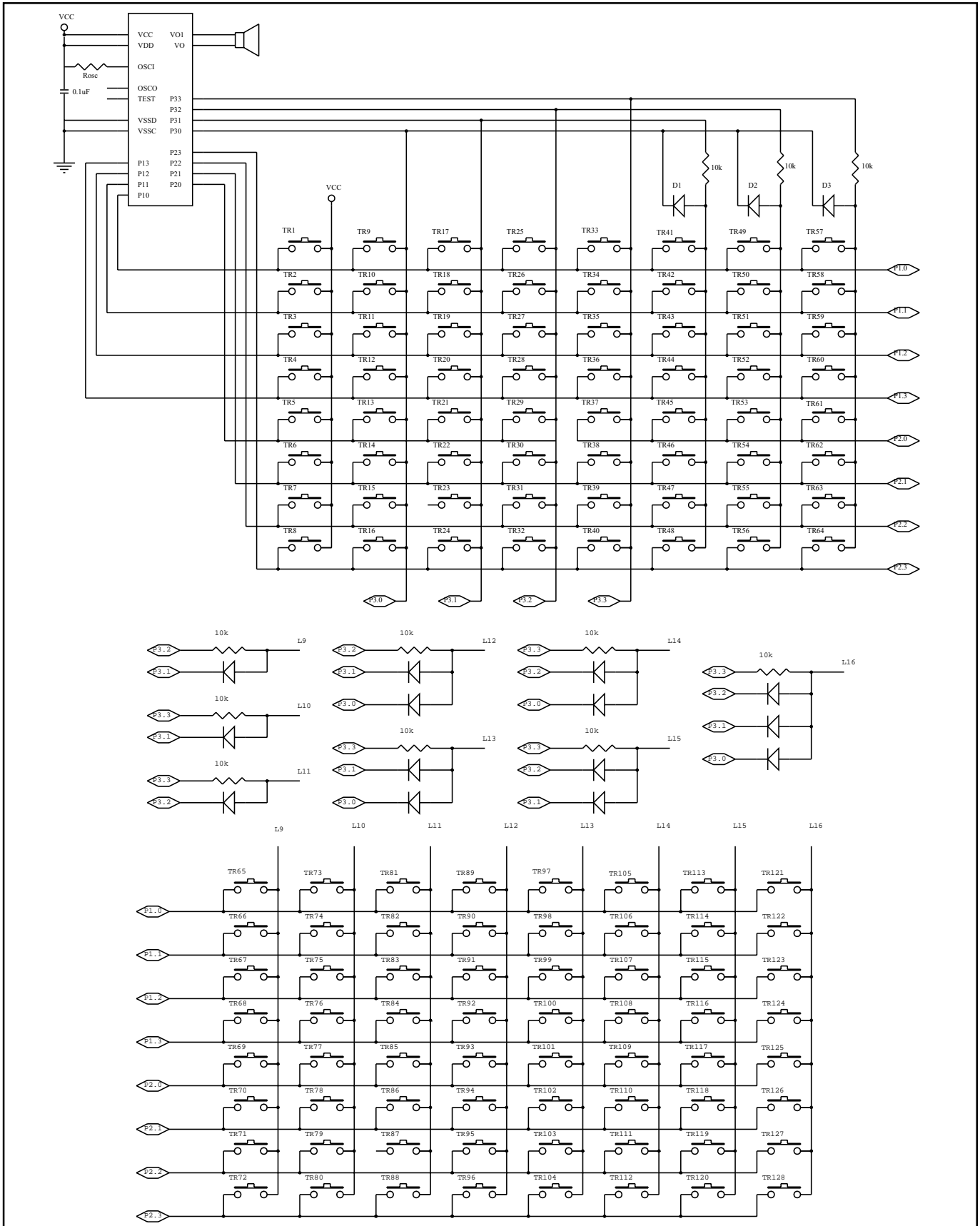
64-key Application Circuit For EM55100~EM55700



* This specification are subject to be changed without notice.

Preliminary

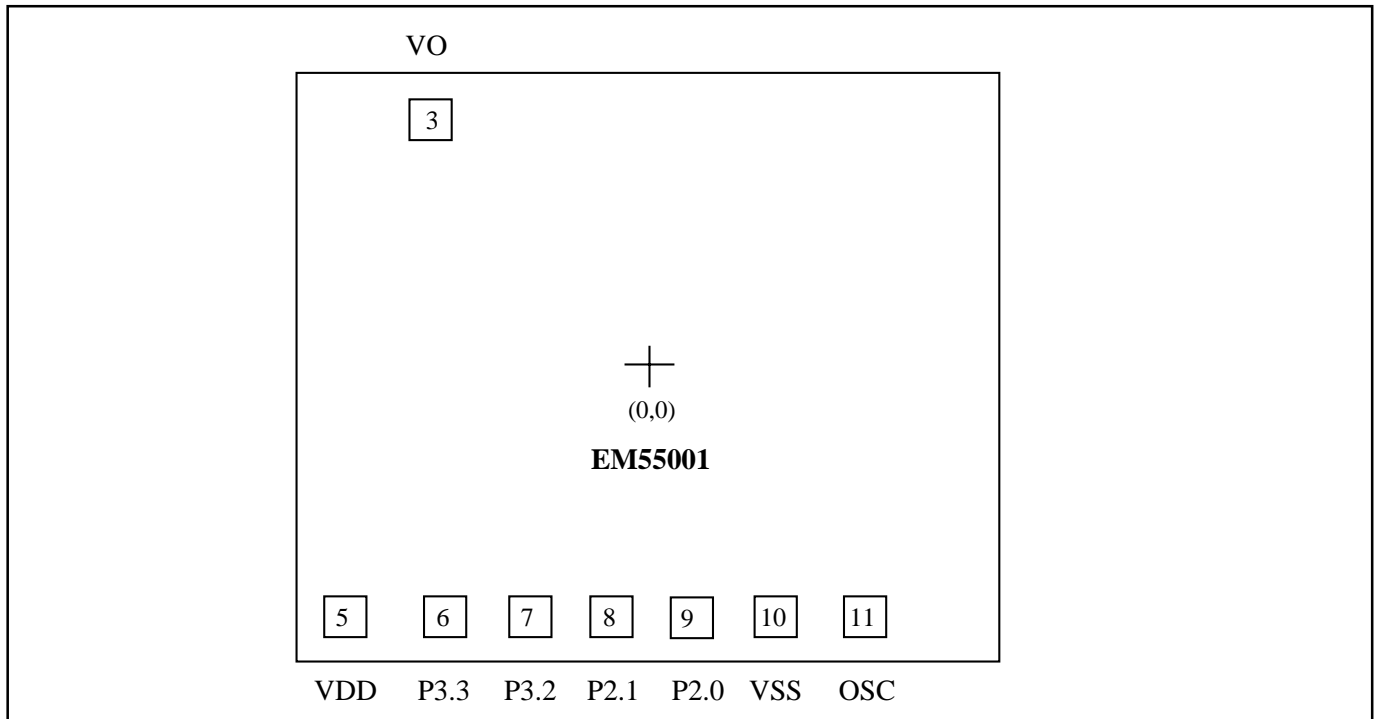
128-key Application Circuit For EM55100~EM55700



* This specification are subject to be changed without notice.

Preliminary

PAD DIAGRAM



Chip Size : 1250 x 1150 um

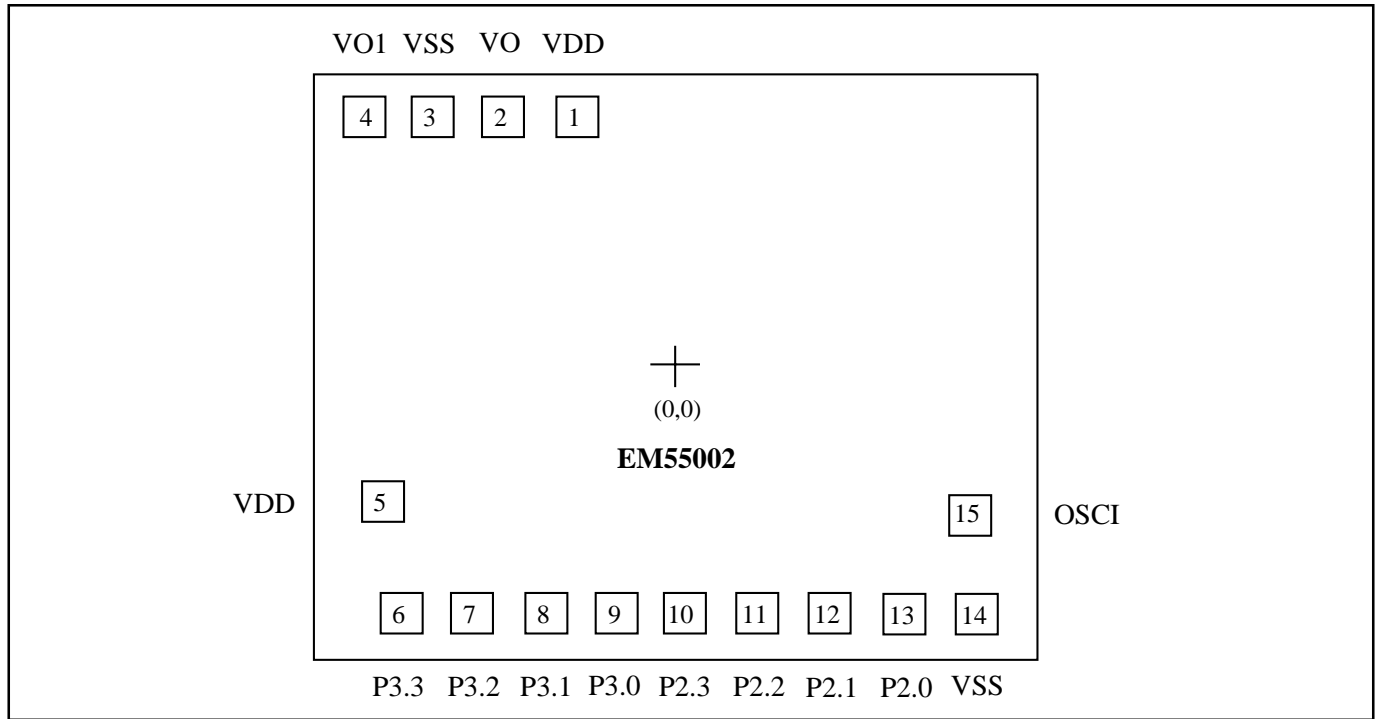
For PCB layout, IC substrate must be connected to Vss.

Note : VO should be connected to VSS when not in use.

Pad No.	Symbol	X	Y
1	NC		
2	NC		
3	VO	-320.3	410.0
4	NC		
5	VDD	-468.9	-383.4
6	P3.3	-322.9	-383.4
7	P3.2	-201.5	-383.4
8	P2.1	-78.6	-383.4
9	P2.0	46.1	-383.4
10	VSS	179.9	-383.4
11	OSCI	325.9	-381.8
12	NC		
13	NC		
14	NC		
15	NC		
16	NC		

Preliminary

PAD DIAGRAM



Chip Size : 1400 x 1250 um

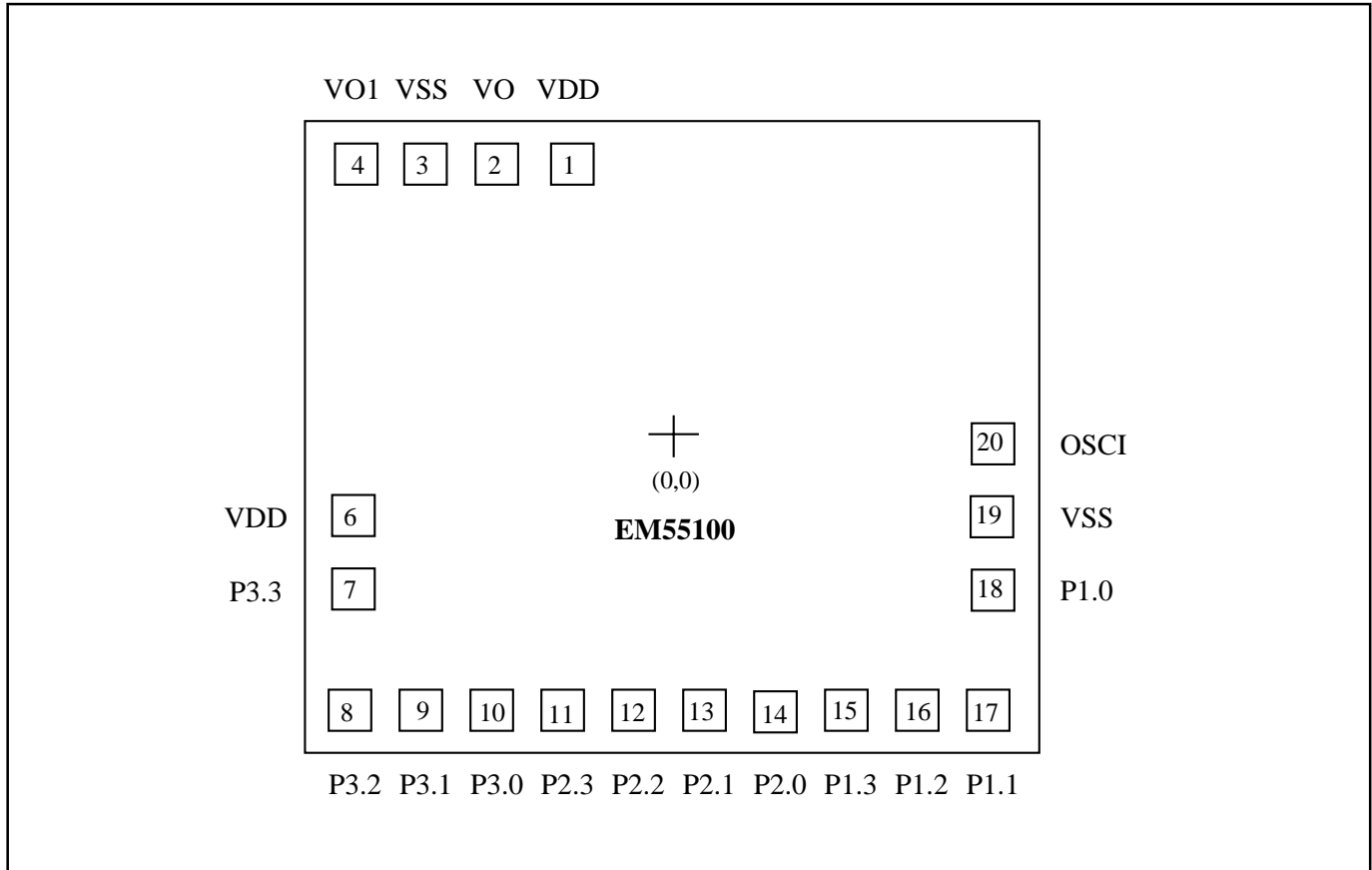
For PCB layout, IC substrate must be connected to Vss.

Note : VO should be connected to VDD when not in use.

Pad No.	Symbol	X	Y
1	VDD	-186.9	448.0
2	VO	-306.9	448.0
3	VSS	-426.9	448.0
4	VO1	-546.9	448.0
5	VDD	-528.4	227.8
6	P3.3	-476.0	-443.4
7	P3.2	-352.6	-443.4
8	P3.1	-229.2	-443.4
9	P3.0	-105.8	-443.4
10	P2.3	19.1	-443.4
11	P2.2	145.8	-443.4
12	P2.1	272.5	-443.4
13	P2.0	399.2	-443.4
14	VSS	536.0	-443.4
15	OSCI	526.8	-250.2
16	NC		
17	NC		
18	NC		

Preliminary

PAD DIAGRAM



Chip Size : 1400 x 1250 um

For PCB layout, IC substrate must be connected to Vss.

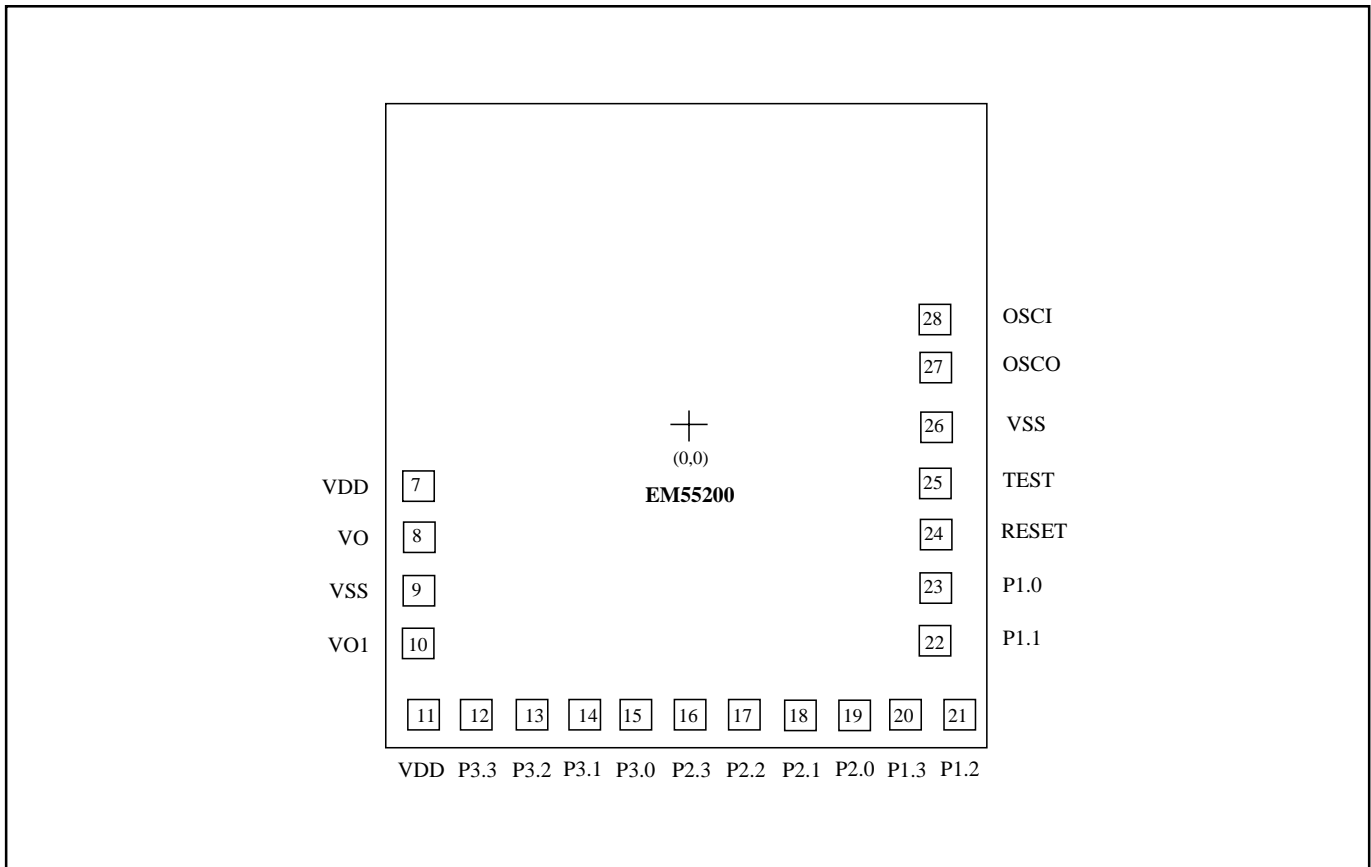
Note : VO should be connected to VDD when not in use.

Pad No.	Symbol	X	Y
1	VDD	-207.8	507.9
2	VO	-327.8	507.9
3	VSS	-447.8	507.9
4	VO1	-567.8	507.9
5	NC		
6	VDD	-543.4	-168.8
7	P3.3	-543.4	-314.8
8	P3.2	-560.8	-503.4
9	P3.1	-439.4	-503.4
10	P3.0	-318.0	-503.4
11	P2.3	-195.1	-503.4
12	P2.2	-70.4	-503.4

Pad No.	Symbol	X	Y
13	P2.1	54.3	-503.4
14	P2.0	179.0	-503.4
15	P1.3	303.6	-503.4
16	P1.2	426.4	-503.4
17	P1.1	549.0	-503.4
18	P1.0	543.4	-314.4
19	VSS	543.4	-182.7
20	OSCI	541.8	-36.7
21	NC		
22	NC		
23	NC		
24	NC		

Preliminary

PAD DIAGRAM



Chip Size : 1600 x 1700 um

For PCB layout, IC substrate must be connected to Vss.

Note : VO should be connected to VSS when not in use.

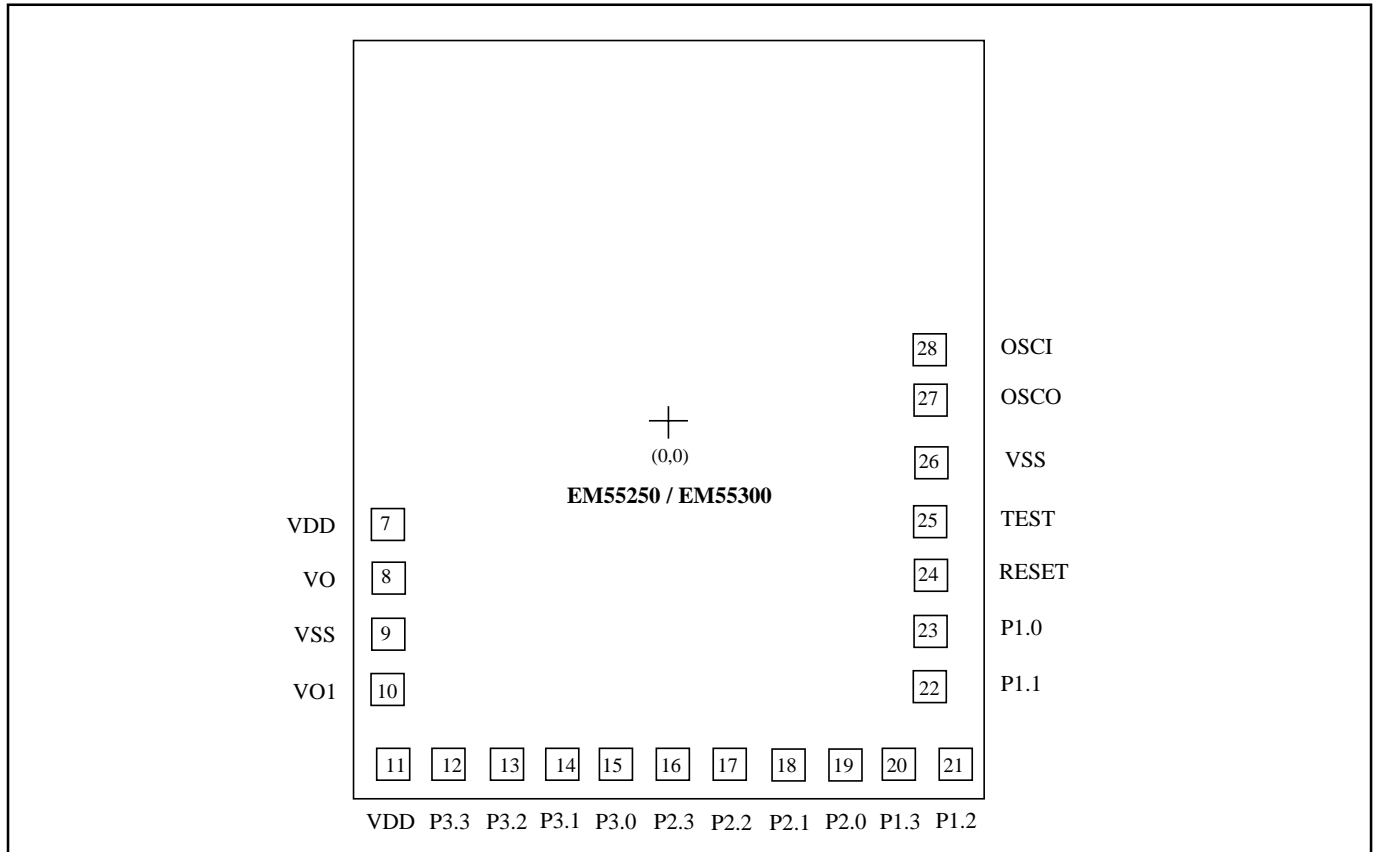
Pad No.	Symbol	X	Y
1	NC		
2	NC		
3	NC		
4	NC		
5	NC		
6	NC		
7	VDD	-603.0	-85.1
8	VO	-603.0	-205.1
9	VSS	-603.0	-325.1
10	VO1	-603.0	-445.1
11	VDD	-597.0	-668.4
12	P3.3	-474.9	-668.4
13	P3.2	-353.5	-668.4
14	P3.1	-232.1	-668.4
15	P3.0	-110.7	-668.4
16	P2.3	12.2	-668.4

Pad No.	Symbol	X	Y
17	P2.2	136.9	-668.4
18	P2.1	261.6	-668.4
19	P2.0	386.3	-668.4
20	P1.3	511.0	-668.4
21	P1.2	633.7	-668.4
22	P1.1	598.4	-478.3
23	P1.0	598.4	-355.6
24	RESET	598.4	-232.9
25	TEST	598.4	-110.5
26	VSS	598.4	21.3
27	OSCO	600.1	187.2
28	OSCI	600.1	309.5
29	NC		
30	NC		
31	NC		
32	NC		

* This specification are subject to be changed without notice.

Preliminary

PAD DIAGRAM



Chip Size : 1600 x 2000 um

For PCB layout, IC substrate must be connected to Vss.

Note : VO should be connected to VSS when not in use.

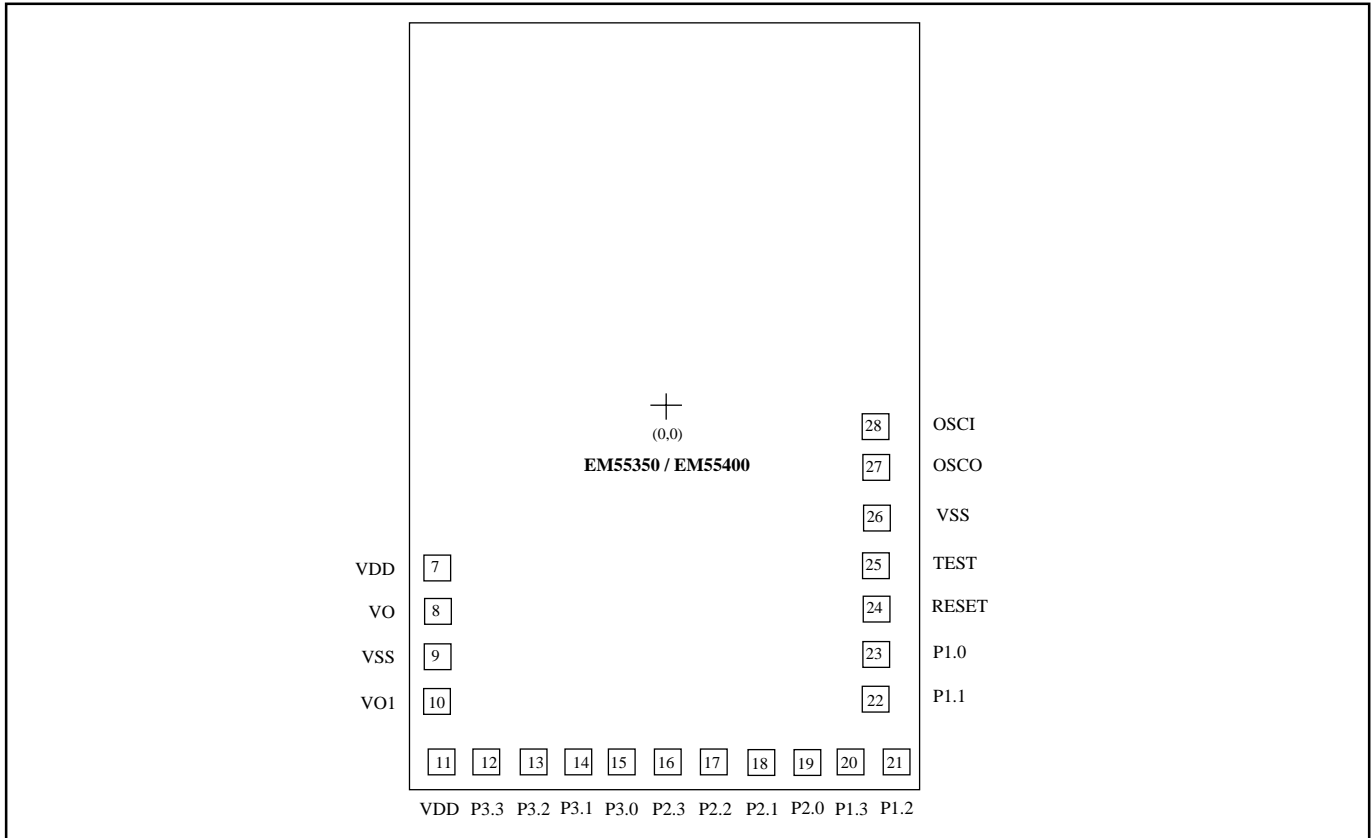
Pad No.	Symbol	X	Y
1	NC		
2	NC		
3	NC		
4	NC		
5	NC		
6	NC		
7	VDD	-603.0	-215.1
8	VO	-603.0	-335.1
9	VSS	-603.0	-455.1
10	VO1	-603.0	-575.1
11	VDD	-597.0	-798.4
12	P3.3	-474.9	-798.4
13	P3.2	-353.5	-798.4
14	P3.1	-232.1	-798.4
15	P3.0	-110.7	-798.4
16	P2.3	12.2	-798.4

Pad No.	Symbol	X	Y
17	P2.2	136.9	-798.4
18	P2.1	261.6	-798.4
19	P2.0	386.3	-798.4
20	P1.3	511.0	-798.4
21	P1.2	633.7	-798.4
22	P1.1	598.4	-608.3
23	P1.0	598.4	-485.6
24	RESET	598.4	-362.9
25	TEST	598.4	-240.5
26	VSS	598.4	-108.7
27	OSCO	600.1	57.2
28	OSCI	600.1	179.5
29	NC		
30	NC		
31	NC		
32	NC		

* This specification are subject to be changed without notice.

Preliminary

PAD DIAGRAM



Chip Size : 1600 x 2500 um

For PCB layout, IC substrate must be connected to Vss.

Note : VO should be connected to VSS when not in use.

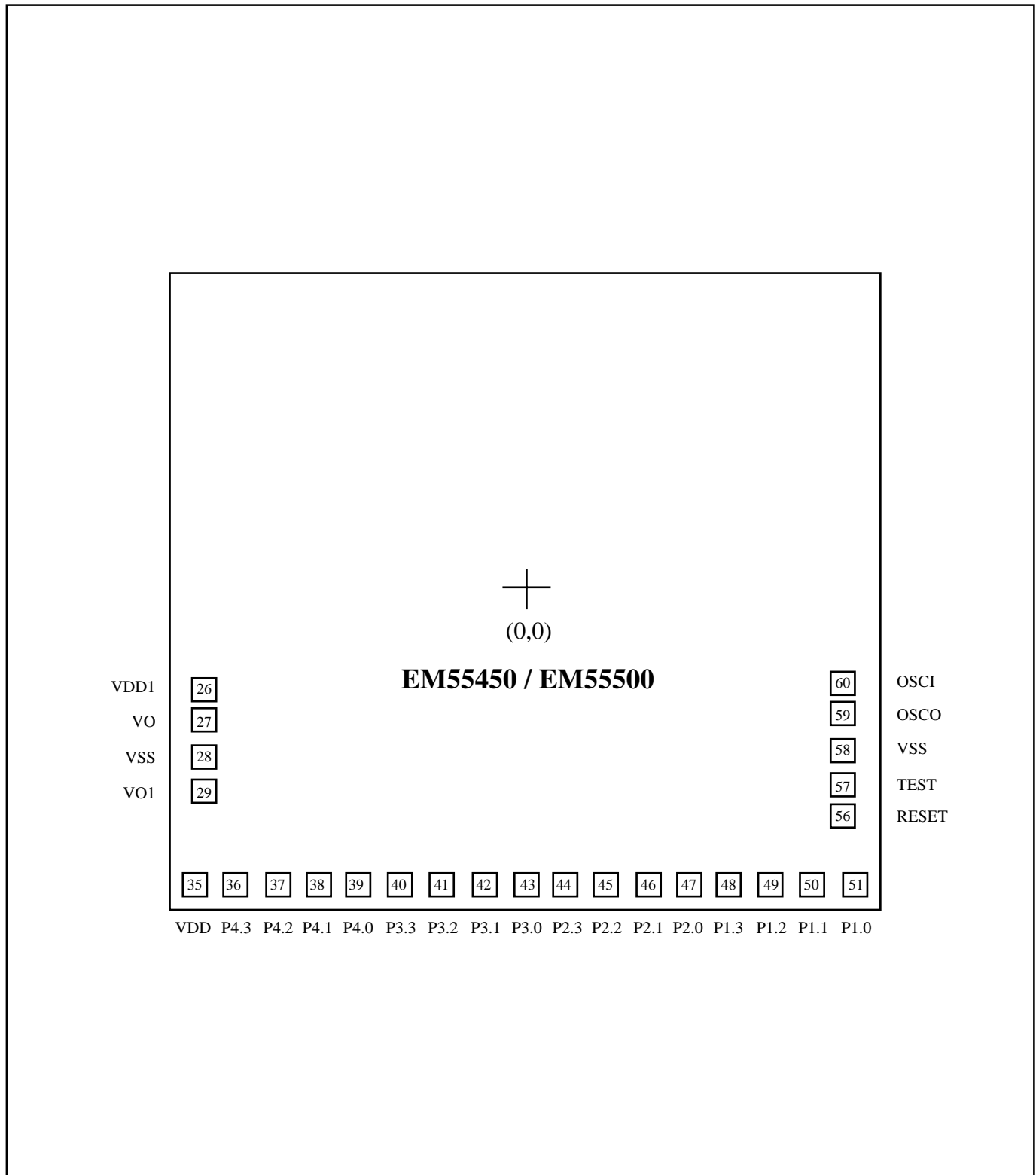
Pad No.	Symbol	X	Y
1	NC		
2	NC		
3	NC		
4	NC		
5	NC		
6	NC		
7	VDD	-603.0	-480.1
8	VO	-603.0	-600.1
9	VSS	-603.0	-720.1
10	VO1	-603.0	-840.1
11	VDD	-597.0	-1063.4
12	P3.3	-474.9	-1063.4
13	P3.2	-353.5	-1063.4
14	P3.1	-232.1	-1063.4
15	P3.0	-110.7	-1063.4
16	P2.3	12.2	-1063.4

Pad No.	Symbol	X	Y
17	P2.2	136.9	-1063.4
18	P2.1	261.6	-1063.4
19	P2.0	386.3	-1063.4
20	P1.3	511.0	-1063.4
21	P1.2	633.7	-1063.4
22	P1.1	598.4	-873.3
23	P1.0	598.4	-750.6
24	RESET	598.4	-627.9
25	TEST	598.4	-505.5
26	VSS	598.4	-373.7
27	OSCO	600.1	-207.9
28	OSCI	600.1	-85.6
29	NC		
30	NC		
31	NC		
32	NC		

* This specification are subject to be changed without notice.

Preliminary

PAD DIAGRAM



Chip Size : 2300 x 2020 um

For PCB layout, IC substrate must be connected to Vss.

Note : VO should be connected to VSS when not in use.

Preliminary

Pad No.	Symbol	X	Y
1	NC		
2	NC		
3	NC		
4	NC		
5	NC		
6	NC		
7	NC		
8	NC		
9	NC		
10	NC		
11	NC		
12	NC		
13	NC		
14	NC		
15	NC		
16	NC		
17	NC		
18	NC		
19	NC		
20	NC		
21	NC		
22	NC		
23	NC		
24	NC		
25	NC		
26	VDD1	-950.9	-165.8
27	VO	-950.9	-285.8
28	VSS	-950.9	-405.8
29	VO1	-950.9	-525.8
30	NC		
31	NC		
32	NC		
33	NC		
34	NC		
35	VDD	-1000.8	-828.4
36	P4.3	-854.8	-828.4
37	P4.2	-733.4	-828.4
38	P4.1	-612.0	-828.4
39	P4.0	-490.6	-828.4
40	P3.3	-369.2	-828.4

Pad No.	Symbol	X	Y
41	P3.2	-247.8	-828.4
42	P3.1	-126.4	-828.4
43	P3.0	-5.0	-828.4
44	P2.3	117.9	-828.4
45	P2.2	242.5	-828.4
46	P2.1	367.3	-828.4
47	P2.0	492.0	-828.4
48	P1.3	616.3	-828.4
49	P1.2	739.1	-828.4
50	P1.1	861.8	-828.4
51	P1.0	984.7	-828.4
52	NC		
53	NC		
54	NC		
55	NC		
56	RESET	966.0	-613.1
57	TEST	966.0	-491.7
58	VSS	966.0	-359.9
59	OSCO	967.7	-211.1
60	OSCI	967.7	-88.8
61	NC		
62	NC		
63	NC		
64	NC		
65	NC		
66	NC		
67	NC		
68	NC		
69	NC		
70	NC		
71	NC		
72	NC		
73	NC		
74	NC		
75	NC		
76	NC		
77	NC		
78	NC		
79	NC		
80	NC		

* This specification are subject to be changed without notice.

Preliminary

Pad No.	Symbol	X	Y
1	NC		
2	NC		
3	NC		
4	NC		
5	NC		
6	NC		
7	NC		
8	NC		
9	NC		
10	NC		
11	NC		
12	NC		
13	NC		
14	NC		
15	NC		
16	NC		
17	NC		
18	NC		
19	NC		
20	NC		
21	NC		
22	NC		
23	NC		
24	NC		
25	NC		
26	VDD1	-950.9	-565.8
27	VO	-950.9	-685.8
28	VSS	-950.9	-805.8
29	VO1	-950.9	-925.8
30	NC		
31	NC		
32	NC		
33	NC		
34	NC		
35	VDD	-1000.8	-1228.4
36	P4.3	-854.8	-1228.4
37	P4.2	-733.4	-1228.4
38	P4.1	-612.0	-1228.4
39	P4.0	-490.6	-1228.4
40	P3.3	-369.2	-1228.4

Pad No.	Symbol	X	Y
41	P3.2	-247.8	-1228.4
42	P3.1	-126.4	-1228.4
43	P3.0	-5.0	-1228.4
44	P2.3	117.9	-1228.4
45	P2.2	242.5	-1228.4
46	P2.1	367.3	-1228.4
47	P2.0	492.0	-1228.4
48	P1.3	616.3	-1228.4
49	P1.2	739.1	-1228.4
50	P1.1	861.8	-1228.4
51	P1.0	984.7	-1228.4
52	NC		
53	NC		
54	NC		
55	NC		
56	RESET	966.0	-1013.1
57	TEST	966.0	-891.7
58	VSS	966.0	-759.9
59	OSCO	967.7	-611.1
60	OSCI	967.7	-488.8
61	NC		
62	NC		
63	NC		
64	NC		
65	NC		
66	NC		
67	NC		
68	NC		
69	NC		
70	NC		
71	NC		
72	NC		
73	NC		
74	NC		
75	NC		
76	NC		
77	NC		
78	NC		
79	NC		
80	NC		

* This specification are subject to be changed without notice.

Preliminary

Pad No.	Symbol	X	Y
1	NC		
2	NC		
3	NC		
4	NC		
5	NC		
6	NC		
7	NC		
8	NC		
9	NC		
10	NC		
11	NC		
12	NC		
13	NC		
14	NC		
15	NC		
16	NC		
17	NC		
18	NC		
19	NC		
20	NC		
21	NC		
22	NC		
23	NC		
24	NC		
25	NC		
26	VDD1	-950.9	-1360.8
27	VO	-950.9	-1480.8
28	VSS	-950.9	-1600.7
29	VO1	-950.9	-1720.8
30	NC		
31	NC		
32	NC		
33	NC		
34	NC		
35	VDD	-1000.8	-2023.4
36	P4.3	-854.8	-2023.4
37	P4.2	-733.4	-2023.4
38	P4.1	-612.0	-2023.4
39	P4.0	-490.6	-2023.4
40	P3.3	-369.2	-2023.4

Pad No.	Symbol	X	Y
41	P3.2	-247.8	-2023.4
42	P3.1	-126.4	-2023.4
43	P3.0	-5.0	-2023.4
44	P2.3	117.9	-2023.4
45	P2.2	242.5	-2023.4
46	P2.1	367.3	-2023.4
47	P2.0	492.0	-2023.4
48	P1.3	616.3	-2023.4
49	P1.2	739.1	-2023.4
50	P1.1	861.8	-2023.4
51	P1.0	984.7	-2023.4
52	NC		
53	NC		
54	NC		
55	NC		
56	RESET	966.0	-1808.1
57	TEST	966.0	-1686.7
58	VSS	966.0	-1554.9
59	OSCO	967.7	-1406.1
60	OSCI	967.7	-1283.8
61	NC		
62	NC		
63	NC		
64	NC		
65	NC		
66	NC		
67	NC		
68	NC		
69	NC		
70	NC		
71	NC		
72	NC		
73	NC		
74	NC		
75	NC		
76	NC		
77	NC		
78	NC		
79	NC		
80	NC		

* This specification are subject to be changed without notice.



Approval Number: A208

**Elan Microelectronics Corp.,
EM55xxx series Speech Chips**

This is to certify that EMC's EM55xxx series
sound generating chips are in compliance with
Green Voice™ specifications
for use with 16 ohms or higher impedance speakers.

Products making use of the certified Green Voice™ chips
are entitled to use the Green Voice™ Mark in the packaging
and promotional material. Please refer to the web site

www.growwithme.org

for product registration procedure to use the Green Voice™ Mark.

Certification granted by:

Grow With Me (Educational Research Fund), Inc.

October 25, 2000.

Green Voice™ and the Green Voice™ mark are trademarks of Grow With Me (Educational Research Fund), Inc.,
a public not for profit company dedicated to the future of our next generation.