

PRELIMINARY
 Notice ; This is not a final specification.
 some parametric limits are subject to change.



MITSUBISHI SOUND PROCESSOR

M62434FP

SOUND CONTROLLER FOR TV

Tone, Volume and SRS by I²C Bus System

OUTLINE

M62434FP has tone, volume and SRS 3D stereo controlled by I²C bus.
 This IC broad applications because of low noise and distortion.

FEATURE

- TONE(Bass/Treble) control, 1dB step volume, and 3dB/step SRS "Space" and "Center" controls.
- Controlled by serial data in accordance with the I²C bus format .

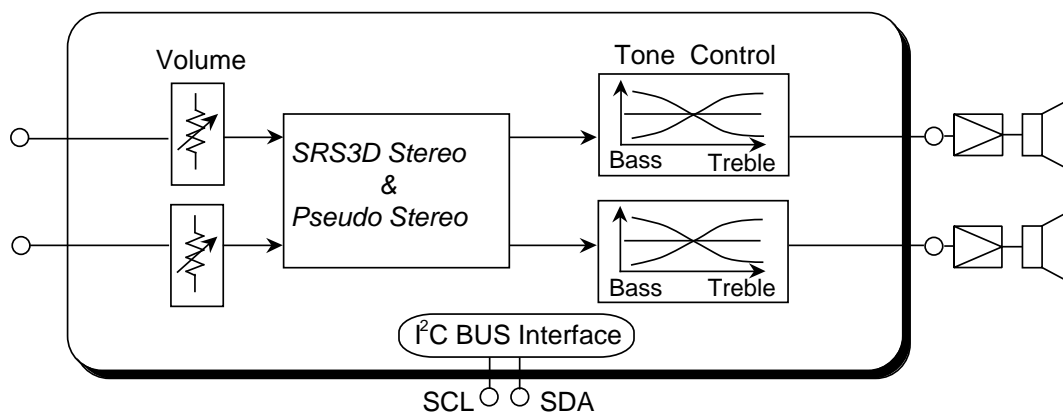
APPLICATION

- TV , Mini-Stereo , etc

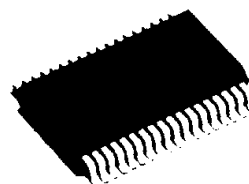
RECOMMENDED OPERATING CONDITION

- Supply voltage range 8.5~9.5V (analog)
- Rated supply voltage 9V (analog)

SYSTEM BLOCK DIAGRAM



PACKAGE OUTLINE



24Pin SOP

Note !!

SRS, the SRS logo, Sound Retrieval System and "everything else is only stereo" are registered trademarks of SRS Labs, Inc.

This device available only to licensees of SRS Lab, Inc. Licensing and application information may be obtained from SRS Lab, Inc.

Mitsubishi Electric Corporation assumes no responsibility for any damage, or infringement of any third-party's rights, originating in the use of any product data, diagrams, charts or circuit application examples contained in these materials.

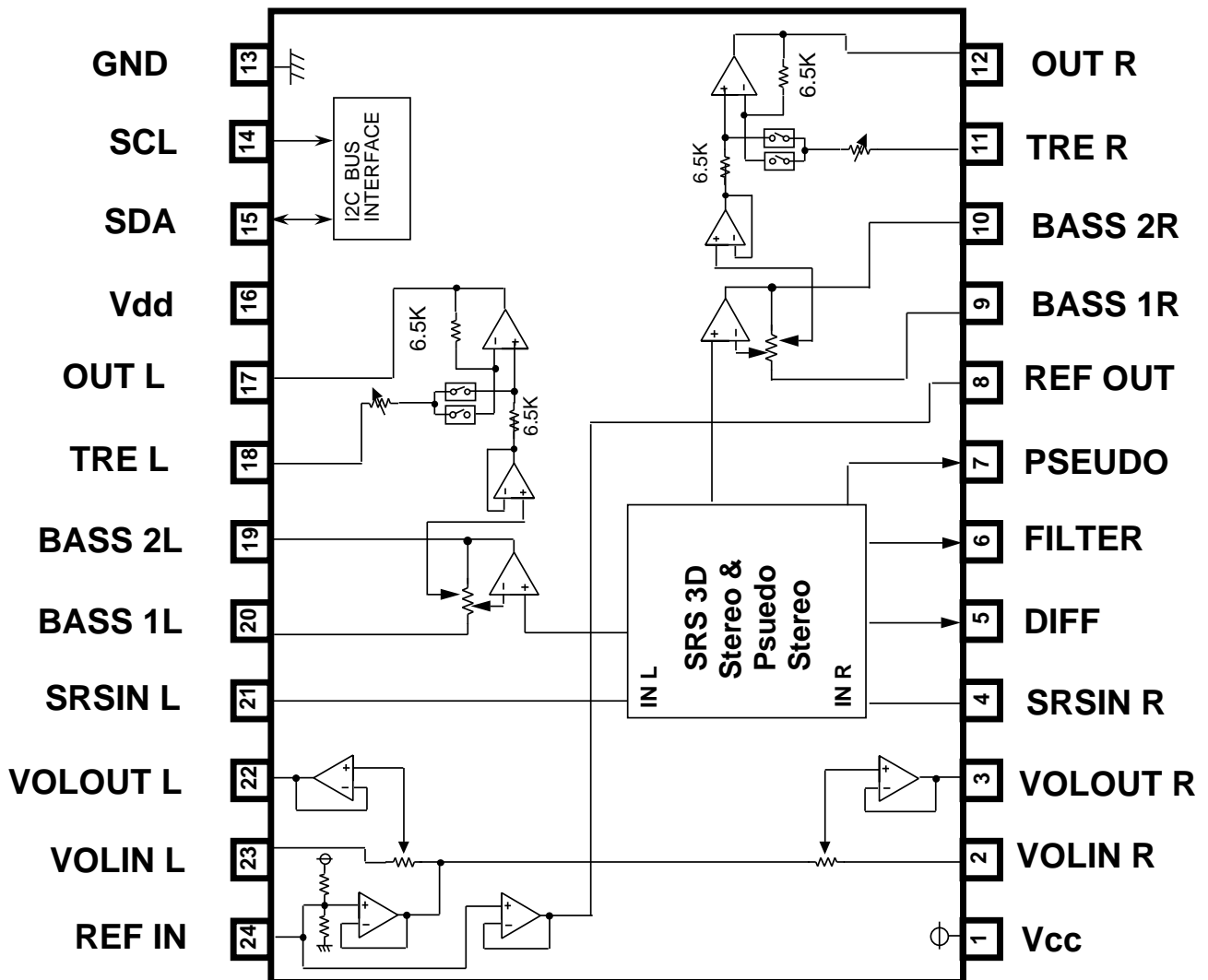
PRELIMINARY
 Notice ; This is not a final specification.
 some parametric limits are subject to change.

MITSUBISHI SOUND PROCESSOR

M62434FP

SOUND CONTROLLER FOR TV

BLOCK DIAGRAM



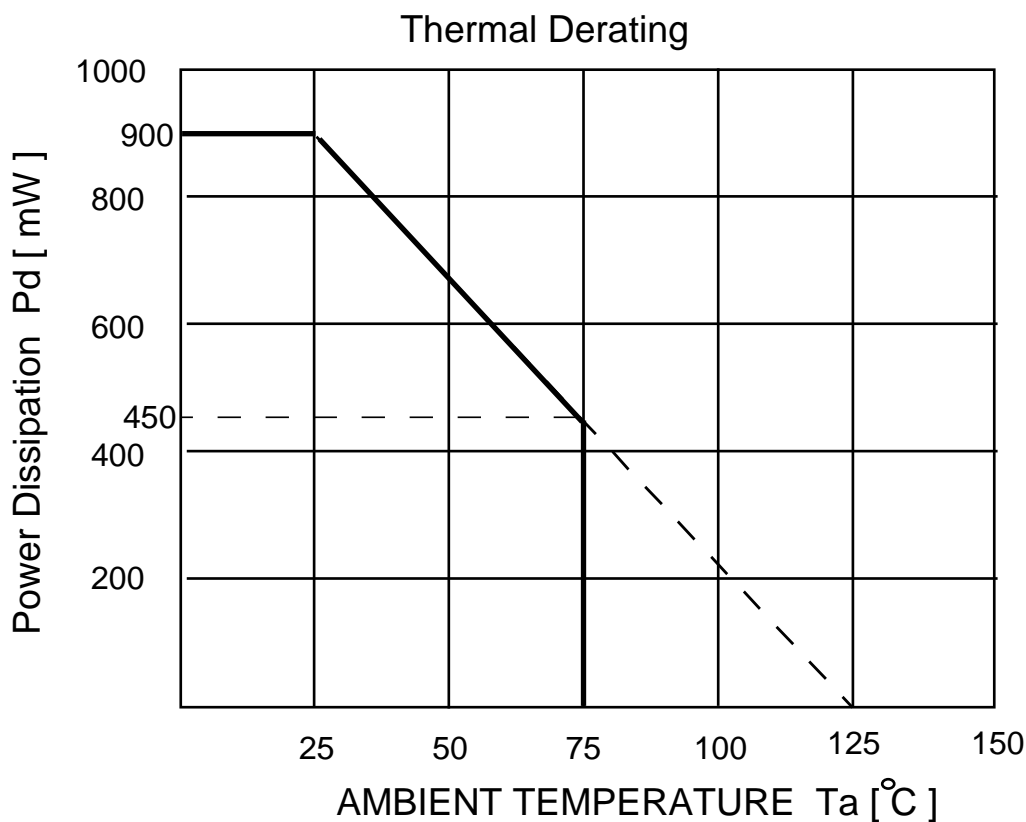
PRELIMINARY
 Notice ; This is not a final specification.
 some parametric limits are subject to change.

M62434FP

SOUND CONTROLLER FOR TV

ABSOLUTE MAXIMUM RATINGS

Symbol	Parameter	Conditions	Ratings	Unit
Vcc	Supply Voltage		10.0	V
Pd	Power Dissipation	Ta<25°C	900	mW
Kθ	Thermal Derating	Ta>25°C	9	mW/°C
Topr	Operating Temperature		-20 ~ 75	°C
Tstg	Storage Temperature		-55 ~ 125	°C



PRELIMINARY
Notice ; This is not a final specification.
some parametric limits are subject to change.

MITSUBISHI SOUND PROCESSOR

M62434FP

SOUND CONTROLLER FOR TV

RECOMMENDED OPERATING CONDITION

Symbol	Parameter	Conditions	Min.	Typ.	Max.	Unit
AVDD	Analog Supply Voltage		8.5	9.0	9.5	V
DVDD	Digital Supply Voltage		4.5	5.0	5.5	V
V _{IH}	High Level Input Voltage		0.7 DVDD	—	VDD	V
V _{IL}	Low Level Input Voltage		0	—	0.3 DVDD	V

PRELIMINARY
 Notice ; This is not a final specification.
 some parametric limits are subject to change.

M62434FP

SOUND CONTROLLER FOR TV

ELECTRICAL CHARACTERISTICS

(Ta=25°C, Vcc=9V, Tone Control;Flat , Bass Boost;0dB, ATT=0dB)

(1) Power Supply Characteristics

Symbol	Parameter	Conditions	Min.	Typ.	Max.	Unit
Icc	Circuit Current		—	30	45	mA

(2) -1 Input / Output Characteristics

Symbol	Parameter	Conditions		ATT (dB)	SRS	TONE	Limit			Unit
		Input	Output				Min.	Typ.	Max.	
V _{IM1}	Maximum Input Voltage1	pin 2,23 f=1kHz	pin 12,17 THD=1% IHF-A filter	-6	By-Pass	Flat	2.0	3.2	—	V _{rms}
V _{IM2}	Maximum Input Voltage2	pin 2,23 f=100Hz	pin 12,17 THD=1% DIN-A filter	0	Center 0dB Space 0dB	Bass 12dB Treble 12dB	—	0.18	—	V _{rms}
V _{OM}	Maximum Output Voltage	pin 2,23 f=1kHz	pin 12,17 THD=1% IHF-A filter R _L =10K	0	By-Pass	Flat	1.2	1.7	—	V _{rms}
THD	Total Harmonic Distortion	pin 2,23 f=1kHz V _i =0dBm	pin 12,17 DIN-A filter R _L =10K	0	By-Pass	Flat	—	0.1	0.2	%
CS	Channel Separation	pin 2,23 f=1kHz V _i =0dBm	pin 12,17 IHF-A filter	0	By-Pass	Flat	—	-60	-50	dB
V _{NO1}	Output Noise Voltage1	pin 2,23 to GND	pin 12,17 IHF-A filter	-	By-Pass	Flat	—	10	20	μV _{rms}
V _{NO2}	Output Noise Voltage2	pin 2,23 to GND	pin 12,17 IHF-A filter	0	By-Pass	Flat	—	10	20	μV _{rms}
V _{NO3}	Output Noise Voltage3	pin 2,23 to GND	pin 12,17 IHF-A filter	0	Center 0dB Space 0dB	Bass 0dB Treble 0dB	—	60	—	μV _{rms}

PRELIMINARY
 Notice ; This is not a final specification.
 some parametric limits are subject to change.

M62434FP

(2)-2 Input / Output Characteristics

Symbol	Parameter	Conditions		ATT (dB)	SRS	TONE	Limit			Unit
		Input	Output				Min.	Typ.	Max.	
GV _{pass}	By-Pass Gain	pin 23 f=1kHz Vi= 500mVrms	pin 17 IHF-A filter	0	By-Pass	Flat	-4.5	-2.5	-0.5	dB
GV _{srsf}	Feed Through Gain				Center - Space -	Flat	-15	-13	-11	dB
GV _{srsL-R}	L(2ch)-R(1ch) Gain				Center - Space 0dB	Flat	0.4	2.4	4.4	dB
GV _{srsL+R}	L(2ch)+R(1ch) Gain				Center 0dB Space -	Flat	-6.5	-4.5	-2.5	dB

(3) Tone Control Characteristic

Symbol	Parameter	Conditions	Min.	Typ.	Max.	Unit
G _{bassb}	Voltage Gain of Tone Control (Bass)	f=100Hz	9	12	15	dB
G _{bassc}			-15	-12	-9	dB
G _{trebb}	Voltage Gain of Tone Control (treble)	f=10KHz	9	12	15	dB
G _{trebc}			-15	-12	-9	dB

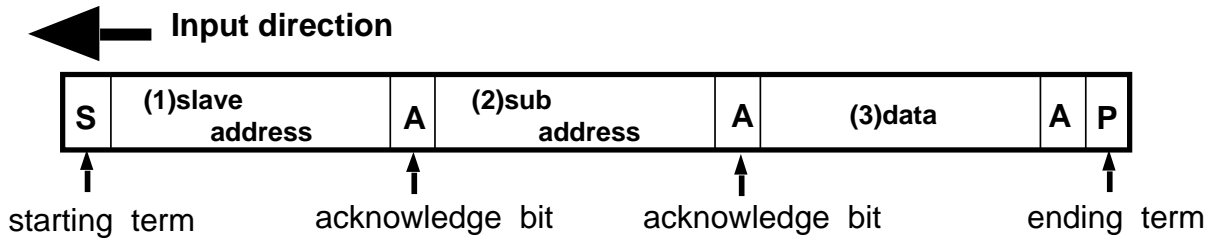
(4) Volume Characteristic

Symbol	Parameter	Conditions	Min.	Typ.	Max.	Unit
ATT _{max}	Maximum ATT	Input ; pin 2,23 Output ; pin 12,17 ,f=1KHz IHF-A filter	—	-90	-80	dB
ATT _{min}	Minimum ATT		-1.5	0	1.5	dB

PRELIMINARY
 Notice ; This is not a final specification.
 some parametric limits are subject to change.

M62434FP

I²C BUS INPUT DATA FORMAT



(1)slave address The following slave address is assigned for this IC.

A6	A5	A4	A3	A2	A1	A0
1	0	0	0	0	0	1

(2)sub address The following sub address is defined for this IC.

subA7	subA6	subA5	subA4	subA3	subA2	subA1	subA0
empty slot	← SRS BLOCK →		Pseudo Surround	TREBLE level mode	BASS level mode	channel 2 volume mode	channel 1 volume mode
	Space Volume	Center Volume					
	1: SELECT 2: UN SELECT	1: SELECT 2: UN SELECT	1: SELECT 2: UN SELECT	1: SELECT 2: UN SELECT	1: SELECT 2: UN SELECT	1: SELECT 2: UN SELECT	1: SELECT 2: UN SELECT

PRELIMINARY
 Notice ; This is not a final specification.
 some parametric limits are subject to change.

M62434FP

(3)-1: volume control

The volume control is enabled by the following condition.

subA0 : 0 , 1 , 1
 subA1 : 1 , 0 , 1 (either bit is 1)

subA2 : 0 subA5 : 0
 subA3 : 0 subA6 : 0

volume code

ATT	D4	D3	D2	D1	D0
0dB	H	L	H	L	H
-4dB	H	L	H	L	L
-8dB	H	L	L	H	H
-12dB	H	L	L	H	L
-16dB	H	L	L	L	H
-20dB	H	L	L	L	L
-24dB	L	H	H	H	H
-28dB	L	H	H	H	L
-32dB	L	H	H	L	H
-36dB	L	H	H	L	L
-40dB	L	H	L	H	H
-44dB	L	H	L	H	L
-48dB	L	H	L	L	H
-52dB	L	H	L	L	L
-56dB	L	L	H	H	H
-60dB	L	L	H	H	L
-64dB	L	L	H	L	H
-68dB	L	L	H	L	L
-72dB	L	L	L	H	H
-76dB	L	L	L	H	L
-80dB	L	L	L	L	H
- dB	L	L	L	L	L

ATT	D6	D5
0dB	H	H
-1dB	H	L
-2dB	L	H
-3dB	L	L

PRELIMINARY
 Notice ; This is not a final specification.
 some parametric limits are subject to change.

M62434FP

SOUND CONTROLLER FOR TV

(3)-2: tone level control

The tone control is enabled by the following condition.

subA0 : 0 **subA2 : 0, 1, 1** **subA5 : 0**
subA1 : 0 **subA3 : 1, 0, 1** **subA6 : 0**

tone code

	BASS				TREBLE			
	D7	D6	D5	D4	D3	D2	D1	D0
12dB	L	H	H	L	L	H	H	L
10dB	L	H	L	H	L	H	L	H
8dB	L	H	L	L	L	H	L	L
6dB	L	L	H	H	L	L	H	H
4dB	L	L	H	L	L	L	H	L
2dB	L	L	L	H	L	L	L	H
0dB	L	L	L	L	L	L	L	L
-2dB	H	L	L	H	H	L	L	H
-4dB	H	L	H	L	H	L	H	L
-6dB	H	L	H	H	H	L	H	H
-8dB	H	H	L	L	H	H	L	L
-10dB	H	H	L	H	H	H	L	H
-12dB	H	H	H	L	H	H	H	L

non-used code HHHH
 LHHH
 HLLL

(3)-3: Pseudo Surround mode

The pseudo surround mode is enabled by the following condition.

subA0 : not defined **subA2 : not defined** **subA4 : 1** **subA5 : 0**
subA1 : not defined **subA3 : not defined** **subA6 : 0**

PRELIMINARY
 Notice ; This is not a final specification.
 some parametric limits are subject to change.

M62434FP

(3)-4: SRS level control

The SRS level control is enabled by the following condition.

subA0 : 0 subA2 : 0 subA4 : 0 subA5 : 0, 1, 1
 subA1 : 0 subA3 : 0 subA6 : 1, 0, 1

SRS level

ATT	Center Vol.				Space Vol.			
	D7	D6	D5	D4	D3	D2	D1	D0
0dB	H	L	L	H	H	L	L	H
-3dB	H	L	L	L	H	L	L	L
-6dB	L	H	H	H	L	H	H	H
-9dB	L	H	H	L	L	H	H	L
-12dB	L	H	L	H	L	H	L	H
-15dB	L	H	L	L	L	H	L	L
-18dB	L	L	H	H	L	L	H	H
-21dB	L	L	H	L	L	L	H	L
-24dB	L	L	L	H	L	L	L	H
-	L	L	L	L	L	L	L	L

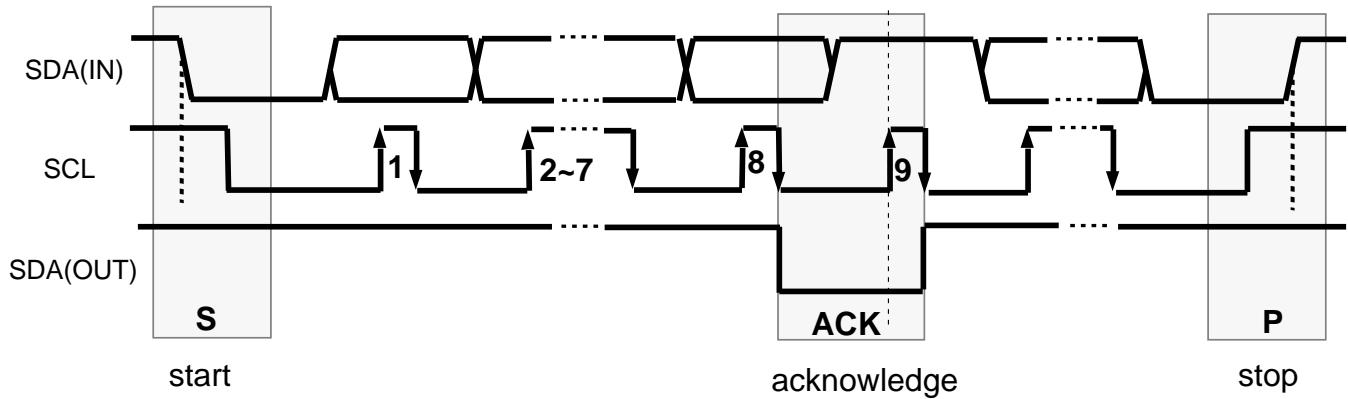
SRS OFF

	Center Vol.				Space Vol.			
	D7	D6	D5	D4	D3	D2	D1	D0
SRS OFF	H	H	H	H	H	H	H	H

PRELIMINARY
Notice ; This is not a final specification.
some parametric limits are subject to change.

M62434FP

DATA and CLOCK



start

This term is defined by SDA(in) falling edge at SCL H .

stop

This term is defined by SDA(in) rising edge at SCL H .

CAUTION

The SDA(IN) level never changes at SCK=H
except start and stop .

data transmisson

The SDA(IN) is enabled at SCL rising edge and H .

acknowledge

Transmitter must send H during ninth clock pulse of SCL .

The case of finished receives , the receiver replies L synchronized to falling edge of eighth pulse . And restart receiving the transmitted data synchronized to falling edge of ninth pulse .

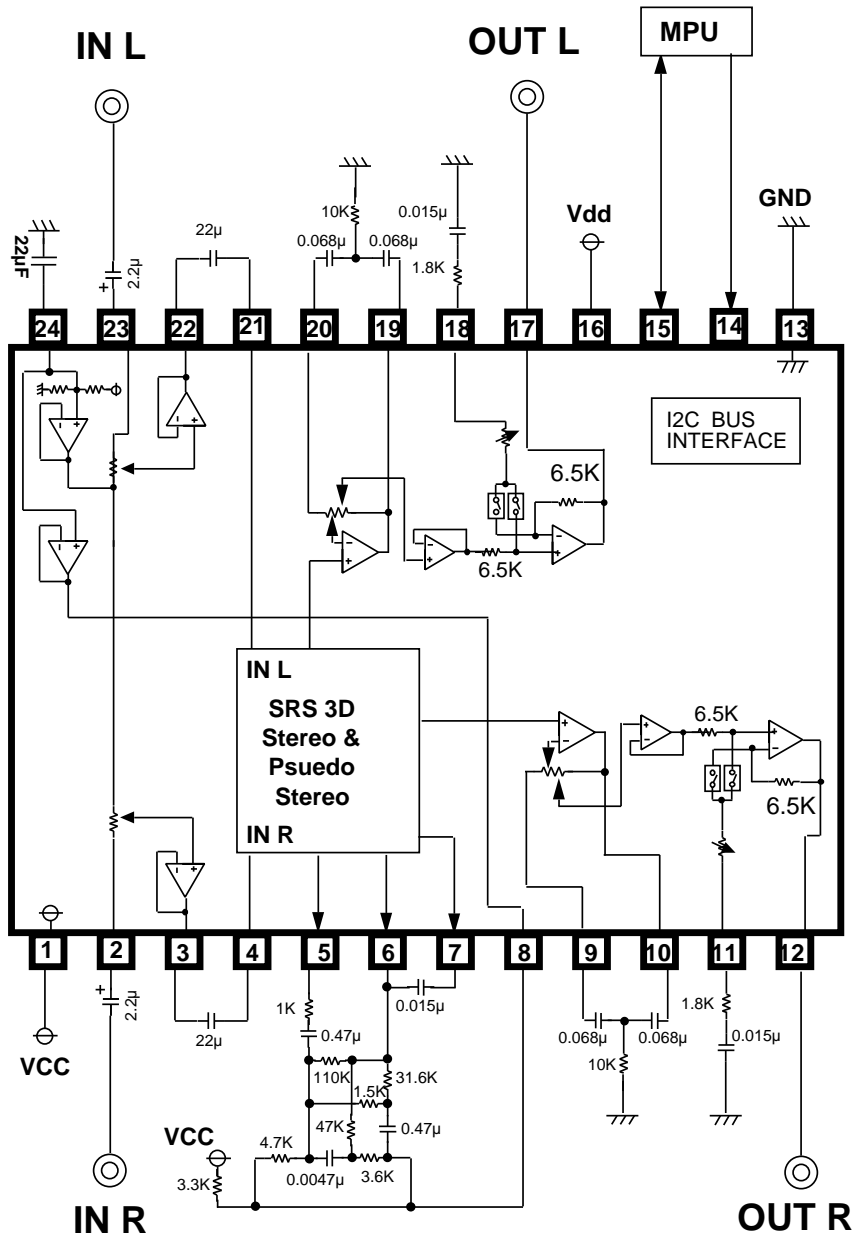
PRELIMINARY
 Notice ; This is not a final specification.
 some parametric limits are subject to change.

MITSUBISHI SOUND PROCESSOR

M62434FP

SOUND CONTROLLER FOR TV

APPLICATION EXAMPLE



PRELIMINARY
Notice ; This is not a final specification.
some parametric limits are subject to change.

MITSUBISHI SOUND PROCESSOR

M62434FP

SOUND CONTROLLER FOR TV

Keep safety first in your circuit designs !

- Mitsubishi Electric Corporation puts the maximum effort into making semiconductor products better and more reliable, but there is always the possibility that trouble may occur with them. Trouble with semiconductors may lead to personal injury, fire or property damage. Remember to give due consideration to safety when making your circuit designs, in order to prevent fires from spreading, redundancy, malfunction or other mishap.

Notes regarding these materials

- These materials are intended as a reference to assist our customers in the selection of the Mitsubishi semiconductor product best suited to the customer's application; they do not convey any license under any intellectual property rights, or any other rights, belonging to Mitsubishi Electric Corporation or a third party.
- Mitsubishi Electric Corporation assumes no responsibility for any damage, or infringement of any third-party's rights, originating in the use of any product data, diagrams, charts or circuit application examples contained in these materials.
- If these products or technologies are subject to the Japanese export control restrictions, they must be exported under a license from the Japanese government and cannot be imported into a country other than the approved destination.
Any diversion or reexport contrary to the export control laws and regulations of Japan and/or the country of destination is prohibited.