

PRELIMINARY
 Notice ; This is not a final specification.
 some parametric limits are subject to change.



MITSUBISHI ELECTRIC

M62436FP

SOUND CONTROLLER WITH
 SRS FOCUS & SRS SURROUND

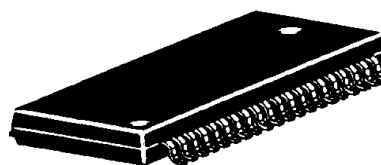
SRS F(●)cus, SRS 3D Stereo Sound Controller

DESCRIPTION

- This is an IC for car audio.
- F(●)cus system can realize more optimal speaker position.

FEATURE

- Built-in F(●)cus (Woofer position can be changed by the outside resistors.)
- Built-in SRS
- SRS ON/OFF mode and FOCUS ON/OFF mode can be controlled by the DC voltage.



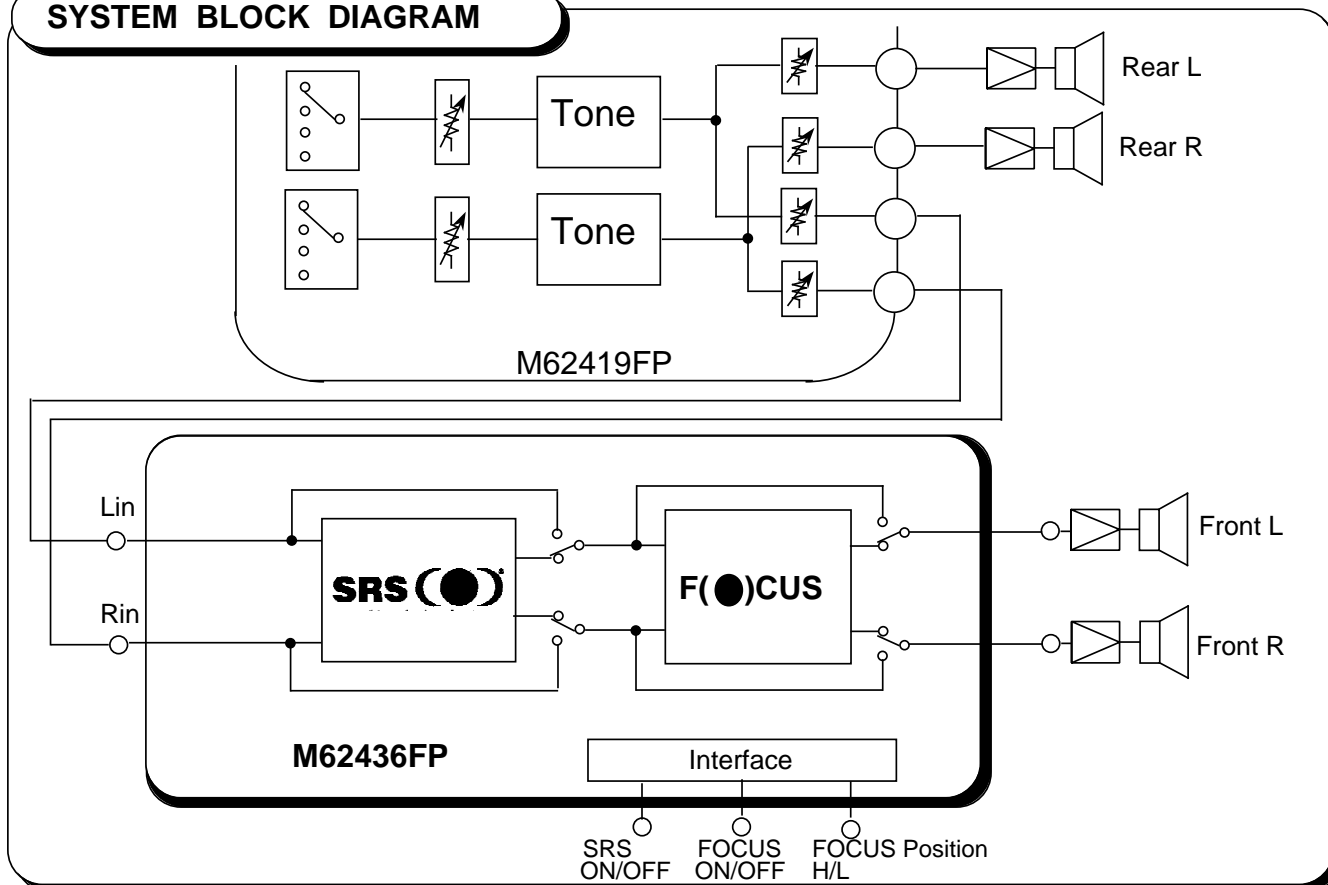
36P2R

RECOMMENDED OPERATING CONDITION

Supply voltage range.....Vcc=7 ~ 9V

Rated supply voltage.....Vcc=8V

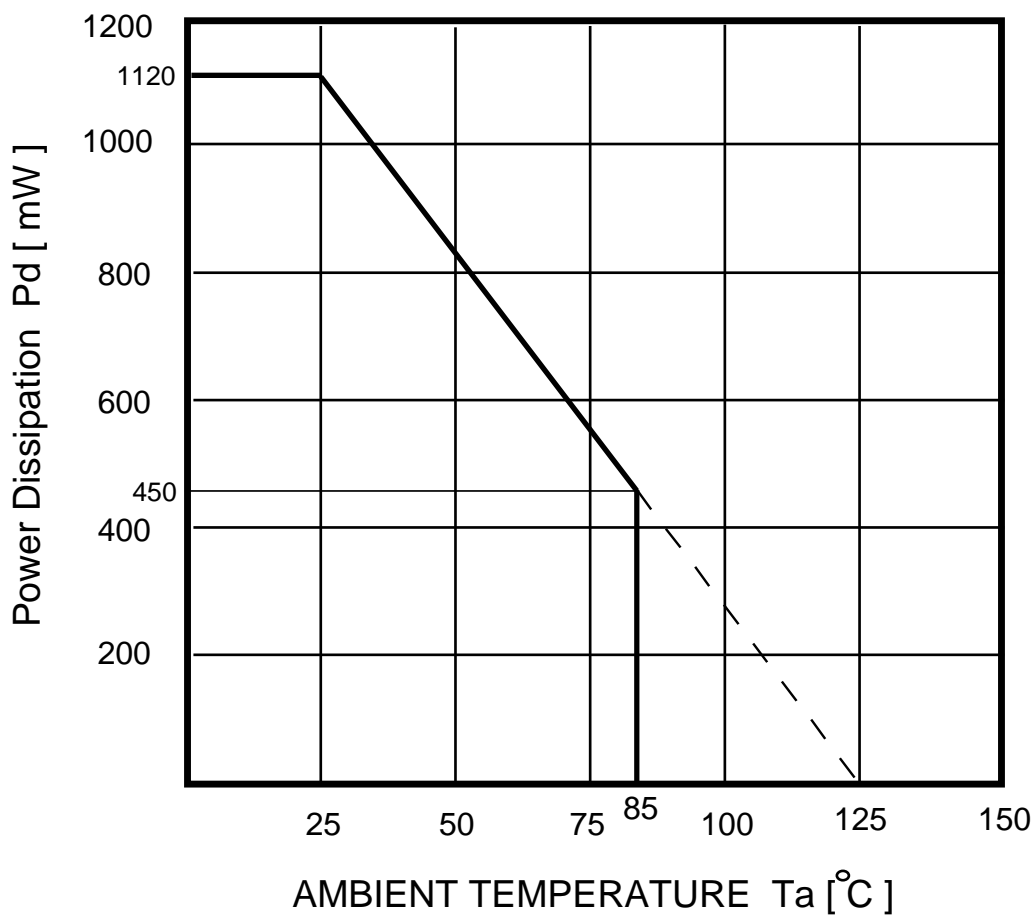
SYSTEM BLOCK DIAGRAM



ABSOLUTE MAXIMUM RATINGS

Symbol	Parameter	Conditions	Ratings	Unit
Vcc,Vdd	Supply Voltage		12	V
Pd	Power Dissipation	Ta 25	1120	mW
K θ	Thermal Derating	Ta>25	1.12	mW/°C
Topr	Operating Temperature		-20 ~ +75	°C
Tstg	Storage Temperature		-55 ~+ 125	°C

Thermal Derating



ELECTRICAL CHARACTERISTICS

(1) Power Supply Characteristics (Ta=25°C, Vcc=8.0V, f=1kHz)

Parameter	Symbol	Conditions	Limit			Unit
			Min	typ	Max	
Circuit Current	Icc	36pin Icc No Signal	—	22	45	mA

(2) Input / Output Characteristics

(Ta=25°C, Vcc=8.0V, f=1kHz
R13=R16=390, R14=R17=200
R15=R18=390)

Parameter	Symbol	Conditions	Limit			Unit	
			Min	typ	Max		
Maximum Output Voltage	VOMt	Input; pin2,35 Output; pin16, 22 RL=10K ,THD=1%	1.6	1.9	—	Vrms	
Maximum Input Voltage	VIM1	Input; pin2,35 /Output; pin16, 22 SRS→ON, FOCUS→OFF THD=1%	f=150Hz	0.32	0.65	—	Vrms
	VIM2	Input; pin2,35 /Output; pin16, 22 SRS→ON	f=1KHz	0.25	0.5	—	
	VIM3	FOCUS→Position"H" ON THD=1%	f=20KHz	0.2	0.4	—	
Pass Gain	Gvt	Vi=100mVrms SRS, Focus → OFF Input; pin2,35 /Output; pin16, 22		-2.0	0	2.0	dB
	Gv1	Vi=100mVrms Input; pin2,35 /Output; pin16, 22 SRS→ON, FOCUS→OFF	f=150Hz	7	10	13	
	Gv2	Vi=100mVrms SRS→ON	f=1KHz	10	13	16	
	Gv3	FOCUS→Position"H" ON (2pin,35pin)-(16, 22Pin)	f=20KHz	12	15	18	
Output Noise Voltage	Vno1	Rg=0(2,35pin) SRS→OFF, FOCUS→OFF DIN-AUDIO filter		—	5.0	15	μVrms
	Vno2	Rg=0(2,35pin) SRS→ON, FOCUS→OFF DIN-AUDIO filter		—	18	40	
	Vno3	Rg=0(2,35pin), SRS→ON, FOCUS→Position"H" ON DIN-AUDIO filter		—	50	90	
Channel Separation	CT	Input Side:f=1KHz, Vi=0.5Vrms Monitor Side:Rg=0, IHF-A filter Focus:OFF, SRS:OFF RL=10K		—	-90	-75	dB

(3) DC Control Characteristic of the Switch Block

Symbol	Parameter	Condition	Limit			Unit
			Min	typ	Max	
V_{IH}	"H" Level Input Voltage	Pin 18,20,21	2.1	~	Vcc	V
V_{IL}	"L" Level Input Voltage	Pin 18,20,21	0	~	0.8	V

Switch Condition and the Mode

②1 SRS 3D Stereo	SRS ON/OFF Switch
SRS ON	H
SRS OFF	L

②0 FOCUS	FOCUS ON/OFF Switch
FOCUS ON	H
FOCUS OFF	L

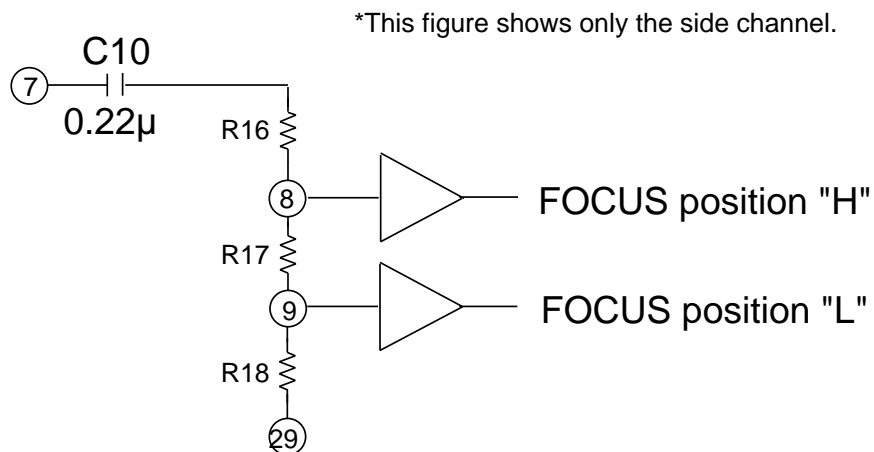
①8 FOCUS Position	FOCUS H/L Switch
FOCUS position "H"	H
FOCUS position "L"	L

*Bypass mode can be set by both SRS ON/OFF switch and FOCUS ON/OFF switch are set to "L".

Regarding to the outside registers

● R16(R13),R17(R14),R18(R15)

The registers of R16(R13),R17(R14),R18(R15) can be set the FOCUS position.



1. The setting of the FOCUS position "H"

$$\frac{R17 + R18}{R16 + R17 + R18}$$

2. The setting of the FOCUS position "L"

$$\frac{R18}{R16 + R17 + R18}$$

*please keep the following formula.
 $R16 + R17 + R18 \cong 1K$

(Example)

In the case of $R16 = 390$, $R17 = 200$, $R18 = 390$

FOCUS position "H" $\cong 60\%$
 FOCUS position "L" $\cong 40\%$

● Between Pin14(26) and Pin15(25)

Add 10K of resistors between Pin14(26) and Pin15(25), can adjust the difference between the sound level of Focus ON and the sound level of Focus OFF.

Also add 10K of resistors between Pin14(26) and Pin15(25), can decrease the Focus gain.

Then the maximum input voltage and the output noise voltage can be improved.

(Reference)

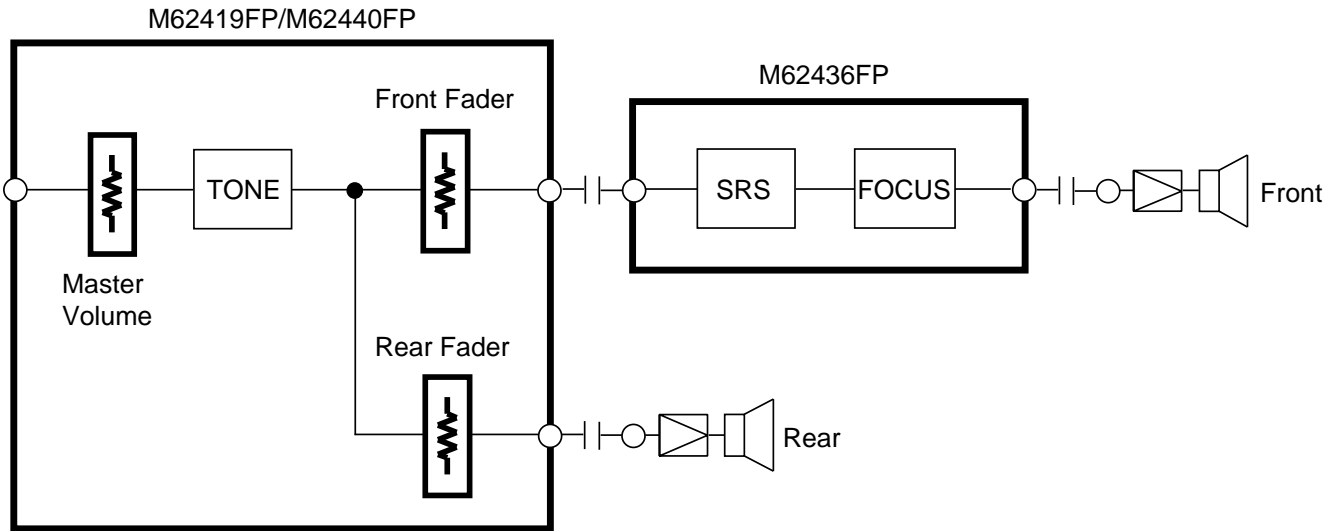
In the case of (R13=R16=390,R14=R17=200,R15=R18=390
Add 10Kof resistors between Pin14(26) and Pin15(25))

Parameter	Symbol	Conditions	Typ.	Unit
Maximum Output Voltage	VOMt	Input; pin2,35 Output; pin16, 22 RL =10K ,THD=1%	1.9	Vrms
Maximum Input Voltage	VIM1	Input; pin2,35 /Output; pin16, 22 SRS → ON, FOCUS → OFF THD=1%	f=150Hz 0.65	Vrms
	VIM2	Input; pin2,35 /Output; pin16, 22 SRS → ON FOCUS → Position "H" ON THD=1%	f=1KHz 0.85	
	VIM3		f=20KHz 0.67	
Pass Gain	Gvt	Vi=100mVrms SRS, Focus → OFF Input; pin2,35 /Output; pin16, 22	0	dB
	Gv1	Vi=100mVrms Input; pin2,35 /Output; pin16, 22 SRS → ON, FOCUS → OFF	f=150Hz 10	
	Gv2	Vi=100mVrms SRS → ON FOCUS → Position "H" ON	f=1KHz 7	
	Gv3	(2pin,35pin)-(16, 22Pin)	f=20KHz 9	
Output Noise Voltage	Vno1	Rg=0(2,35pin) SRS → OFF , FOCUS → OFF DIN-AUDIO filter	5.0	μVrms
	Vno2	Rg=0(2,35pin) SRS → ON , FOCUS → OFF DIN-AUDIO filter	18	
	Vno3	Rg=0(2,35pin), SRS → ON, FOCUS → Position "H" ON DIN-AUDIO filter	30	
Channel Separation	CT	Input Side:f=1KHz, Vi=0.5Vrms Monitor Side:Rg=0, IHF-A filter Focus:OFF, SRS:OFF RL=10K	-90	dB

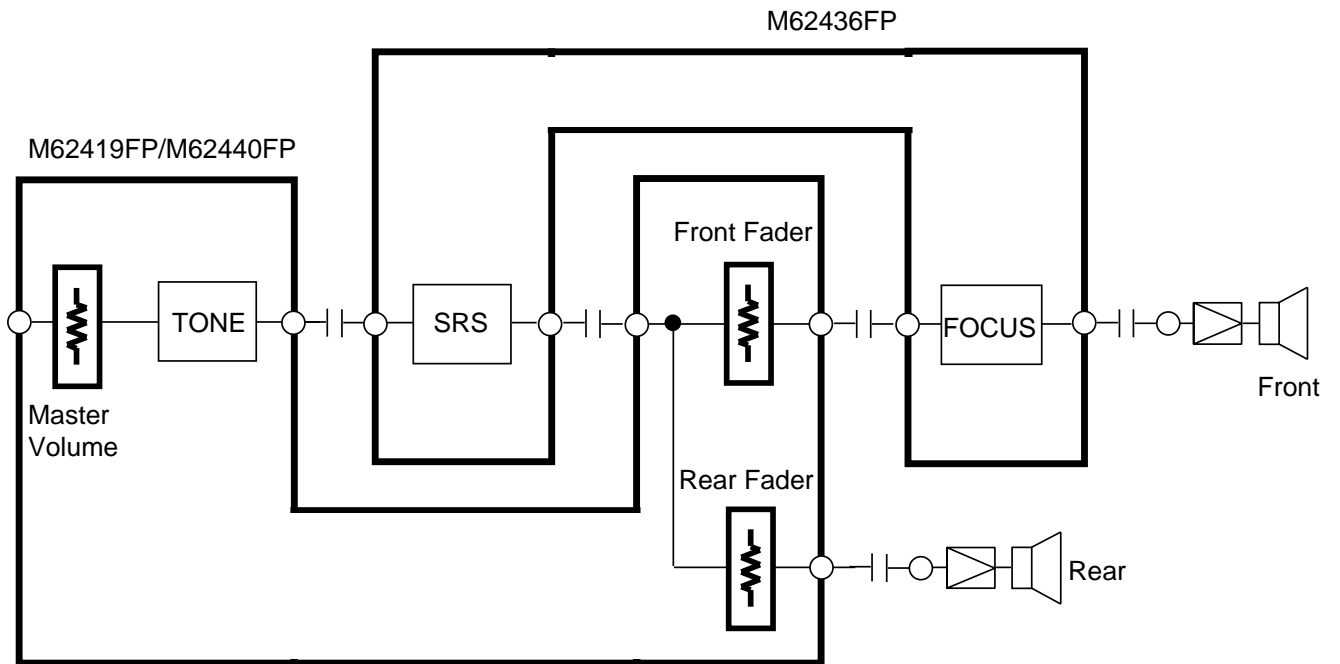
System Circuit Example

(The following figures show only the side channel.)

1. In the case of SRS 3D stereo is effective for the front speakers.



2. In the case of SRS 3D stereo is effective for the front and rear speakers.
(FOCUS is effective for the front speakers.)



NOTE

Each switches (SRS ON/OFF, FOCUS ON/OFF and FOCUS Position H/L Switches) does not have the countermeasure for click noise, so that we recommend outside mute circuit.

SRS, the SRS logo, Sound Retrieval System and "everything else is only stereo" are registered trademarks of SRS Labs, Inc. This device available only to licensees of SRS Lab, Inc. Licensing and application information may be obtained from SRS Lab, Inc. Mitsubishi Electric Corporation assumes no responsibility for any damage, or infringement of any third-party's rights, originating in the use of any product data, diagrams, charts or circuit application examples contained in these materials.