

**MONITOR AMPLIFIER**

- 7 DIGITALLY PROGRAMMABLE GAINS IN STEPS OF 4.5dB
- ON/OFF POSITION
- LOW VOLTAGE (3.5V to 6.5V)
- POWER: >140mW at 5V; >250mW at 6.5V

**DESCRIPTION**

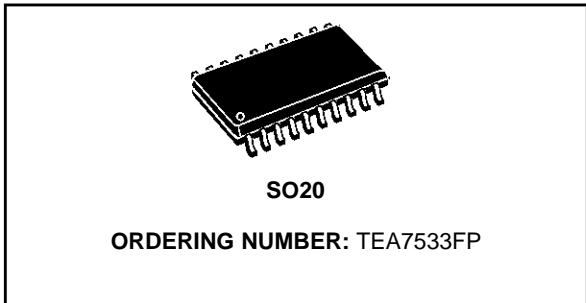
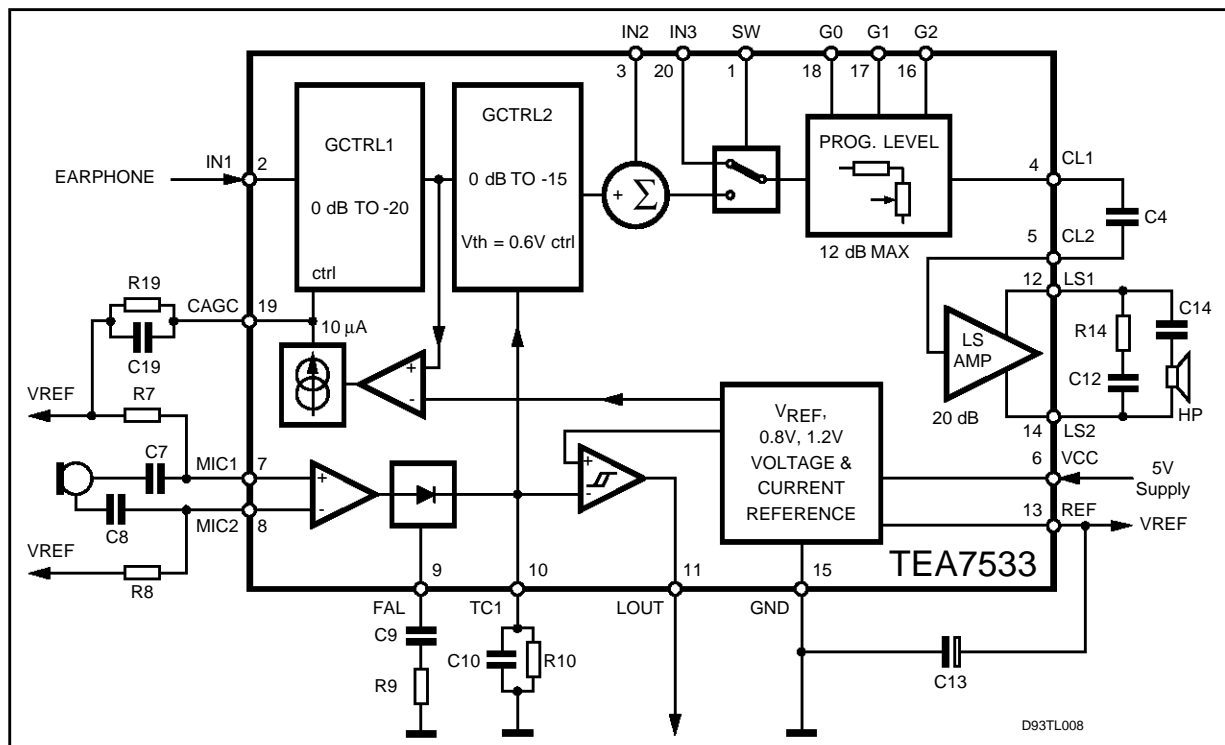
This 20 pins IC is designed for monitoring and loudspeaker telephone set and provides:

- a) signal amplification for monitoring (loudspeaker).
- b) antiacoustic feedback (antilarsen).
- c) antidistortion by automatic level adaptation.
- d) antilarsen adjustment (full duplex).
- e) antidistortion by automatic gain adaptation in current supply mode.
- f) service audio inputs with internal dedicated switches.

**FUNCTIONAL DESCRIPTION**

TEA7533 performs the following functions:  
The circuit amplifies the incoming signal and

**BLOCK DIAGRAM**



feeds it to the loudspeaker. PG0, PG1 and PG2 inputs are used to set the loudspeaker gain in a range of 32dB to 5dB in 7 steps of 4.5dB.

The TEA7533 inputs (PG0, PG1, PG2) allows also the loudspeaker to be cut-off, thus ensuring privacy of communication.

- ◆ The antilarsen (antiacoustic feedback) system is incorporated.
- ◆ The maximum power available on a 50Ω impedance loudspeaker is 140mW at 5V and 250mW at 6.5V.

# TEA7533

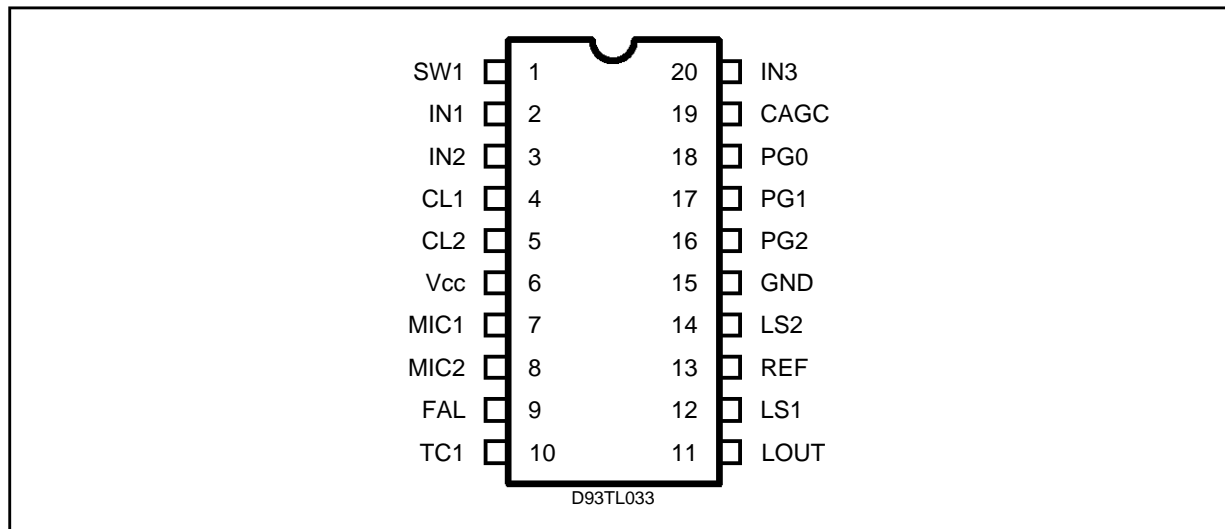
## PIN DESCRIPTION

N°	Symbol	Description
1	SW	Switch control: IN2 or IN3
2	IN1	Audio Input AVG Controlled
3	IN2	2nd Audio input; No Anti-distortion Control
4	CL1	Intermediate Receive Output (Decoupling capacitor)
5	CL2	Intermediate Receive Input (Decoupling capacitor)
6	V <sub>CC</sub>	Supply Voltage
7	MIC1	Microphone input 1
8	MIC2	Microphone input 2
9	FAL	Antilarsen Filter
10	TC1	Antilarsen Gain Set up
11	LOUT	Status Output, Digital Output.
12	LS1	Loudspeaker Output1
13	REF	Reference Voltage; (V <sub>CC</sub> - 0.7V/2)
14	LS2	Loudspeaker Output2
15	GND	Ground
16	PG2	Digital Input; Loudspeaker Level Control
17	PG1	Digital Input; Loudspeaker Level Control
18	PG0	Digital Input; Loudspeaker Level Control
19	CAGC	Gain Control Filter Capacitor
20	IN3	3rd Audio Input

## ABSOLUTE MAXIMUM RATINGS

Symbol	Parameter	Test Conditions	Unit
V <sub>CC</sub>	Max. Supply Voltage	7	V
I <sub>CC</sub>	Max Supply Current at t > 300ms at t ≤ 300ms	100 150	mA mA
V <sub>LOGIC</sub>	Voltage Level (logic pins)	-0.6/V <sub>CC</sub> +0.6	V
T <sub>op</sub>	Operative Temperature Range	-20 to +70	°C
T <sub>stg</sub>	Storage Temperature Range	-55 to +125	°C

## PIN CONNECTION (Top view)



**ELECTRICAL CHARACTERISTICS** ( $T_{amb} = 25^{\circ}\text{C}$ ,  $R_{BIAS} = 60\text{K}\Omega$ ;  $V_{G0} = V_{G1} = V_{G2} = \text{H}$ ;  $V_{in} = 0\text{Vrms}$ ;  $V_{TG1} = 0\text{V}$ ; unless otherwise specified)

Symbol	Parameter	Test Condition	Min.	Typ.	Max.	Unit
$V_{CC}$	Supply Voltage		3.5	5	6.5	V
$I_{CC}$	Supply Current	$V_{CC} = 5\text{V}$ ; $\text{PG0} = \text{PG1} = \text{PG2} = \text{L}$ $V_{CC} = 5\text{V}$ ; $\text{PG0} = \text{PG1} = \text{PG2} = \text{H}$	-	0.75 1.6	1 2.1	mA mA
$V_{ref}$	Voltage Reference	$V_{CC} = 5\text{V}$	- 1.72	$(V_{CC} - 0.7)/2$ 2.15	- 2.6	V
$I_{ref}$	Current Available at $V_{ref}$	Source Sink	- -	30 400	- -	$\mu\text{A}$ $\mu\text{A}$
<b>IN2 &amp; IN3 AMPLIFIER SECTIONS</b>						
$G_O$	Final Stage Gain $(V_{LS1} - V_{LS2})/V_{CL2}$		19	20	21	dB
$G$	Loudspeaker Amplifier Gain $(V_{LS1} - V_{LS2})/IN3$ (or $IN2$ )	$V_{TC1} = 0\text{V}$ ; $V_{IN} = 60\text{mVrms}$ $V_{CAGL} = 0\text{V}$				
		$\text{PG2}, \text{PG1}, \text{PG0}$				
G111	Gain max	H H H	30	31.5	33	dB
G110	Gain 1st step	H H L	25.5	27	28.5	dB
G101	Gain 2nd step	H L H	21	22.5	24	dB
G100	Gain 3rd step	H L L	16.5	18	19.5	dB
G011	Gain 4th step	L H H	12.0	13.5	15	dB
G010	Gain 5th step	L H L	7.5	9	10.5	dB
G001	Gain 6th step	L L L	3	4.5	6	dB
G000	Off step	L L L	-	-40	-30	dB
$V_{OFF}$	Output Offset	$G = G111$ ; $R_{LOAD} = 50\Omega$	-50	-	50	mV
LS DIN	Loudspeaker Dynamic $(V_{LS1} - V_{LS2})$	$R_{LOAD} = 50\Omega$ $V_{CC} = 3.5\text{V}$ ; $\text{THD} = 4\%$ $V_{CC} = 5\text{V}$ ; $\text{THD} = 4\%$	4.5 6.5	5 6.7	- -	$V_{pp}$ $V_{pp}$
THD	Output Distortion	$V_{CC} = 5\text{V}$ $G = G111(32\text{dB})$ $\text{SW} = \text{L}$ ; $V_{OUT} = 2\text{Vrms}$ $\text{SW} = \text{H}$ ; $V_{OUT} = 2\text{Vrms}$	- -	- -	2 2	% %
<b>IN1 AMPLIFIER SECTION</b>						
$G_1$	Loudspeaker Amplifier Gain $(V_{LS1} - V_{LS2}) / IN1$	$V_{CAG} (19) = V_{REF}$ ; $V_{TC1} = 0\text{V}$ $V_{IN1} = 45\text{mVrms}$	29.5	31.5	34.5	dB
THD1	Distortion	$V_{IN} = 45\text{mVrms}$	-	1	2	%
<b>IN1 ANTIDISTORTION SECTION</b>						
ALG1	Antilarsen Attenuation on IN1 Chain	$V_{CAGC} = V_{REF}$ ; $V_{TC1} = 0.8\text{V}$	-17	-15	-13	dB
ALTHD	Distortion with Antilarsen Active		-	4.5	6.0	%
CAGC THD	Distortion with AGC Control Active	$V_{IN1} = 80\text{mV}$ $V_{IN1} = 560\text{mV}$	- -	- -	3 10	% %
PG	Logic Interface PG0, PG1, PG2, SW=L, IN3=ON					
PGH	Logical Input High		0	-	$0.4 \times (V_{CC} - 0.7)$	V
PGL	Logical Input Low		$0.6 \times (V_{CC} - 0.7)$	-	$V_{CC}$	V
$I_{PGL}$	Input Current Low state	$V_{IN} = 0\text{V}$	-1	-	+1	$\mu\text{A}$
$I_{PGH}$	Input Current High State	$V_{IN} = V_{CC}$	-1	-	+1	$\mu\text{A}$
<b>ANALOG INTERFACE</b>						
$I_{BIAS}$	Biassing Current Analog Inputs	IN1, IN2, IN3, MIC1, MIC2	-	17	100	mA

# TEA7533

## ELECTRICAL CHARACTERISTICS (Continued)

Symbol	Parameter	Test Condition	Min.	Typ.	Max.	Unit
<b>ANTILARSEN SECTION</b>						
G <sub>MIC</sub>	Microphone Amplifier Gain $= V_{FAL}/(V_{MIC1} - V_{MIC2})$	$V_{IN} = 4.5mV_{rms}; f = 5KHz$	19.5	21	22.5	dB
V <sub>TC1 TH</sub>	TC1 Threshold for -3dB attenuation on IN1 chain		0.55	0.68	0.75	V
V <sub>TC1 LOW</sub>	TC1 Level with V <sub>mic</sub> = 0 Vrms		0	0.07	0.2	V
TC1 H	High Thershold of LOUT Comparator	$V_{LOUT} < 0.4V$	1.1	1.2	-	V
TC1 L	Low Thershold of LOUT Comparator	$V_{LOUT} > 4.1V$	-	0.8	0.9	V
I <sub>LOUT L</sub>	Output Current of Comparator LOUT	$V_{TC1} = 1.5V; V_{LOUT} = 0.5V$	5	20	-	μA
I <sub>LOUT H</sub>	LOUT	$V_{TC1} = 0.6V; V_{LOUT} = 3.5V$	-	-1	-0.5	μA
V <sub>LOUT L</sub>	Output Voltage of Comparator LOUT	$V_{TC1} = 1.5V$	-	0.08	0.4	V
V <sub>LOUT H</sub>	LOUT	$V_{TC1} = 0.6V$	4.1	4.33	-	V

## TEST CIRCUIT

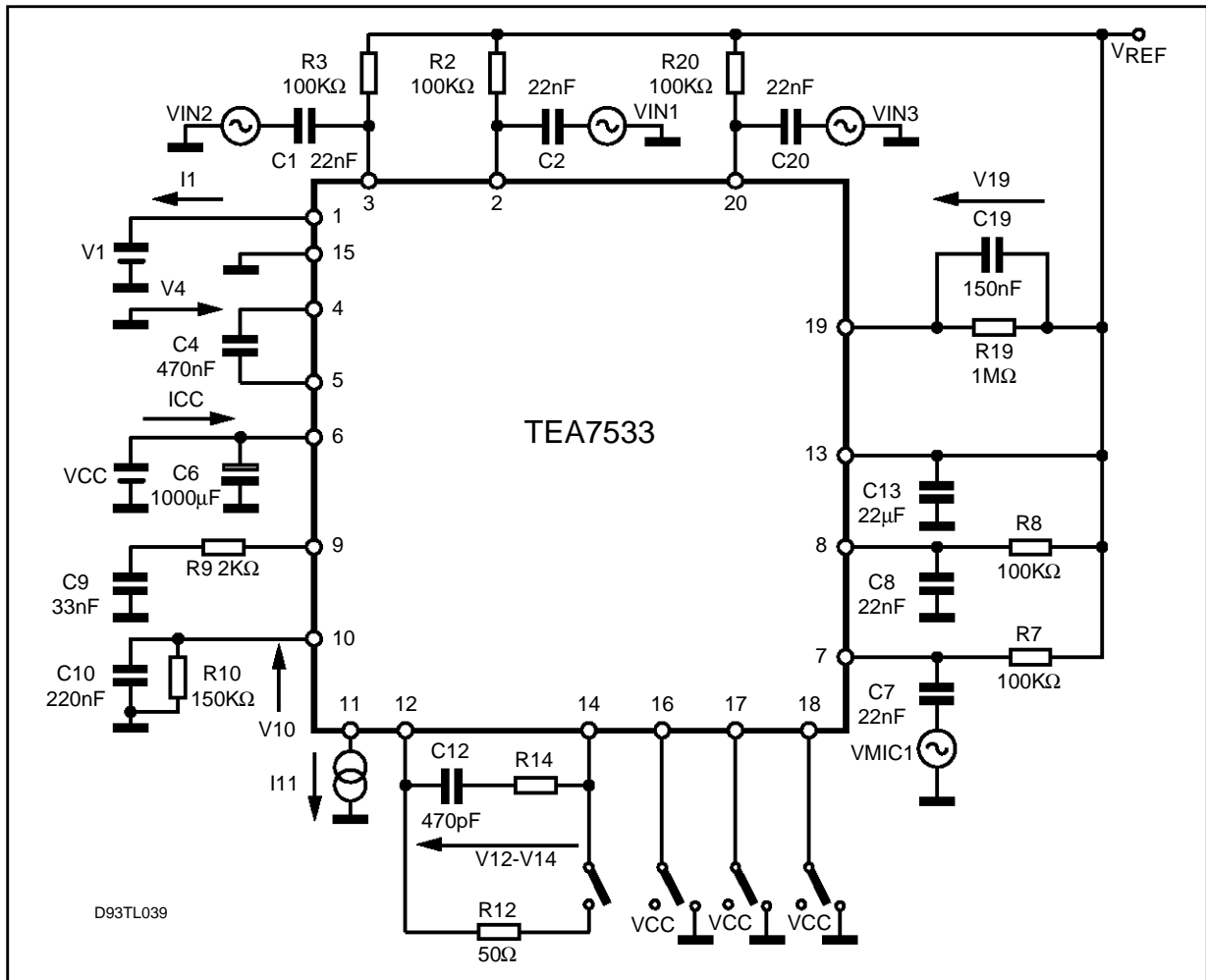


Figure 1: IN1 Channel - AGC Gain (Typical)

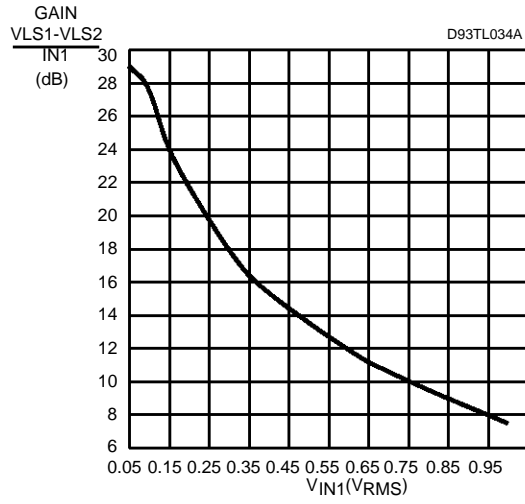


Figure 2: IN1 Channel (VCAGC - VREF)

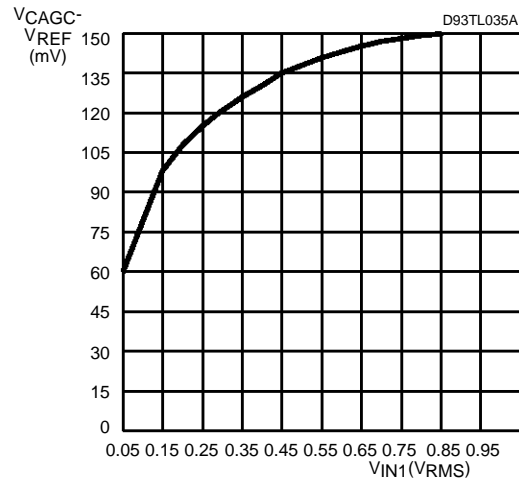


Figure 3: IN1 Channel - Distortion (Typical)

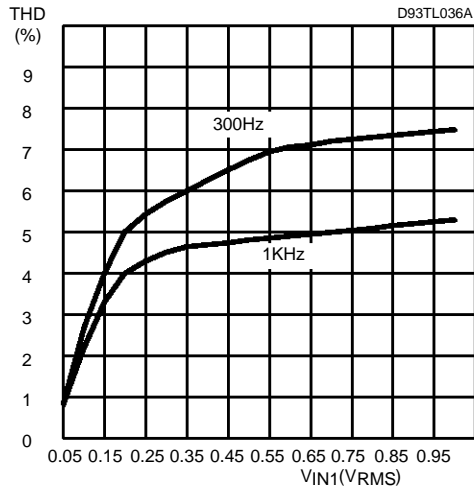


Figure 4: IN3 and IN2 Channels - Distortion

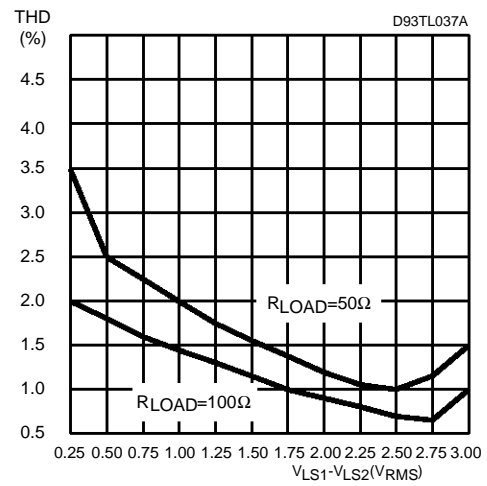
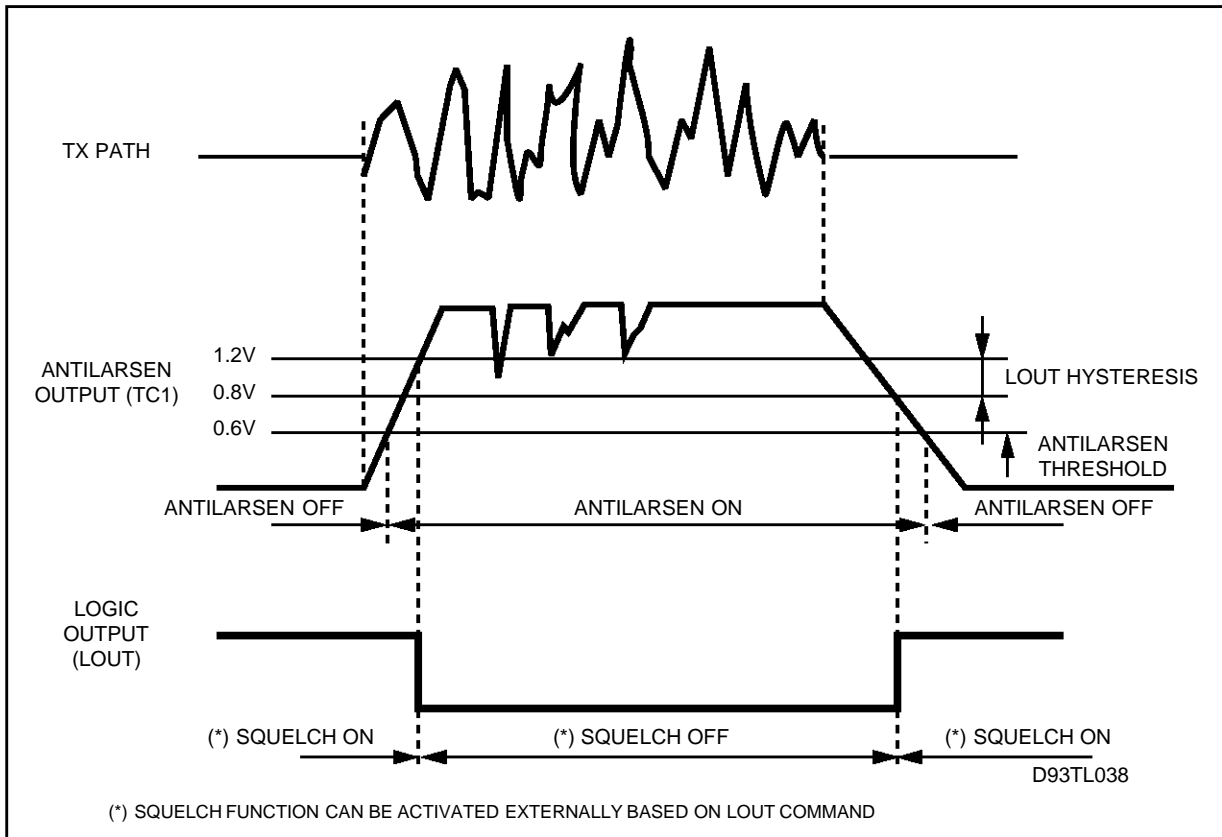
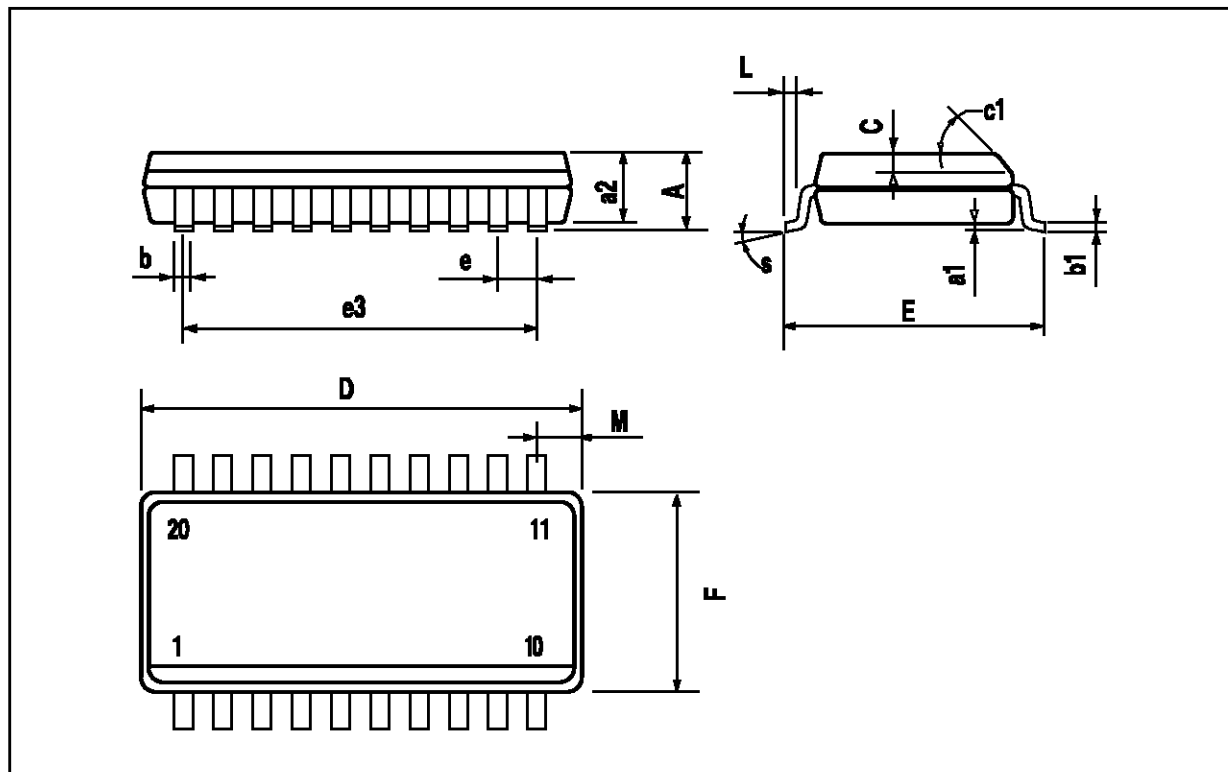


Figure 5: Time Diagram for TC1 (Antilarsen) and LOUT.



## SO20 PACKAGE MECHANICAL DATA

DIM.	mm			inch		
	Min.	Typ.	Max.	Min.	Typ.	Max.
A			2.65			0.104
a1	0.1		0.2	0.004		0.008
a2			2.45			0.096
b	0.35		0.49	0.014		0.019
b1	0.23		0.32	0.009		0.013
C		0.5			0.020	
c1	45° (typ.)					
D	12.6		13.0	0.496		0.510
E	10		10.65	0.394		0.419
e		1.27			0.050	
e3		11.43			0.450	
F	7.4		7.6	0.291		0.300
L	0.5		1.27	0.020		0.050
M			0.75			0.030
S	8° (max.)					



Information furnished is believed to be accurate and reliable. However, SGS-THOMSON Microelectronics assumes no responsibility for the consequences of use of such information nor for any infringement of patents or other rights of third parties which may result from its use. No license is granted by implication or otherwise under any patent or patent rights of SGS-THOMSON Microelectronics. Specifications mentioned in this publication are subject to change without notice. This publication supersedes and replaces all information previously supplied. SGS-THOMSON Microelectronics products are not authorized for use as critical components in life support devices or systems without express written approval of SGS-THOMSON Microelectronics.

© 1994 SGS-THOMSON Microelectronics - All Rights Reserved

SGS-THOMSON Microelectronics GROUP OF COMPANIES  
Australia - Brazil - France - Germany - Hong Kong - Italy - Japan - Korea - Malaysia - Malta - Morocco - The Netherlands  
Singapore - Spain - Sweden - Switzerland - Taiwan - Thailand - United Kingdom - U.S.A.