

TOSHIBA PHOTOCOUPLER PHOTO RELAY

TLP599G

TELECOMMUNICATION

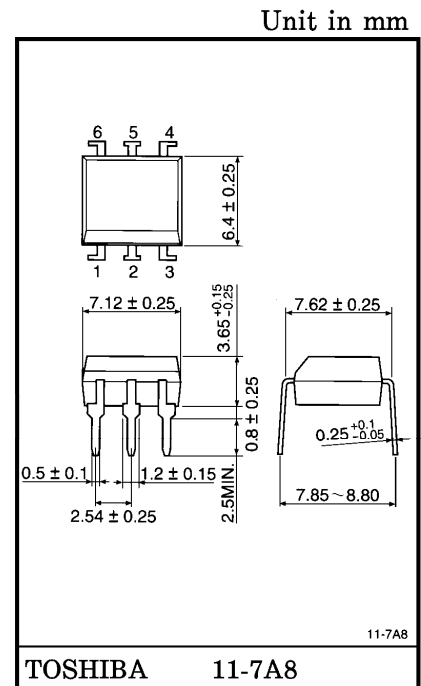
DATA ACQUISITION

MEASUREMENT INSTRUMENTATION

The TOSHIBA TLP599G consists of a gallium arsenide infrared emitting diode optically coupled to a photo-MOS FET in a six lead plastic DIP package (DIP6).

The TLP599G is a bi-directional switch which can replace mechanical relays in many applications.

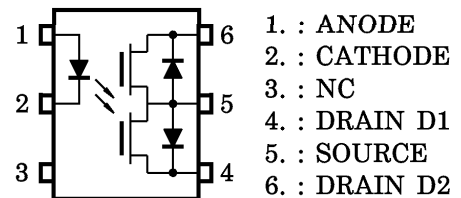
- Peak Off-State Voltage : 400 V (MIN.)
- On-State Current : 120 mA (MAX.) (A Connection)
- On-State Resistance : 30 Ω (MAX.) (A Connection)
- Insulation Thickness : 0.4 mm (MAX.)
- Isolation Voltage : 2500 Vrms (MIN.)
- UL Recognized : UL1577, File No. E67349
- Trigger LED Current (Ta = 25°C)



TOSHIBA 11-7A8

CLASSIFICATION (Note 1)	Trigger LED Current (mA)		MARKING OF CLASSIFICATION
	@I _{ON} = 120 mA		
	Min.	Max.	
(IFT2)	—	2	T2
Standard	—	5	T2, blank

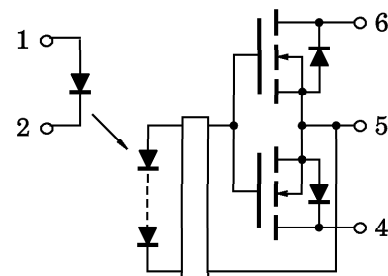
PIN CONFIGURATION (TOP VIEW)



(Note 1) : Application type name for certification test, please use standard product type name, i.e.

TLP599G (IFT2) : TLP599G

SCHEMATIC



980910EBC2

- TOSHIBA is continually working to improve the quality and the reliability of its products. Nevertheless, semiconductor devices in general can malfunction or fail due to their inherent electrical sensitivity and vulnerability to physical stress. It is the responsibility of the buyer, when utilizing TOSHIBA products, to observe standards of safety, and to avoid situations in which a malfunction or failure of a TOSHIBA product could cause loss of human life, bodily injury or damage to property. In developing your designs, please ensure that TOSHIBA products are used within specified operating ranges as set forth in the most recent products specifications. Also, please keep in mind the precautions and conditions set forth in the TOSHIBA Semiconductor Reliability Handbook.
- Gallium arsenide (GaAs) is a substance used in the products described in this document. GaAs dust and fumes are toxic. Do not break, cut or pulverize the product, or use chemicals to dissolve them. When disposing of the products, follow the appropriate regulations. Do not dispose of the products with other industrial waste or with domestic garbage.
- The products described in this document are subject to the foreign exchange and foreign trade laws.
- The information contained herein is presented only as a guide for the applications of our products. No responsibility is assumed by TOSHIBA CORPORATION for any infringements of intellectual property or other rights of the third parties which may result from its use. No license is granted by implication or otherwise under any intellectual property or other rights of TOSHIBA CORPORATION or others.
- The information contained herein is subject to change without notice.

MAXIMUM RATINGS (Ta = 25°C)

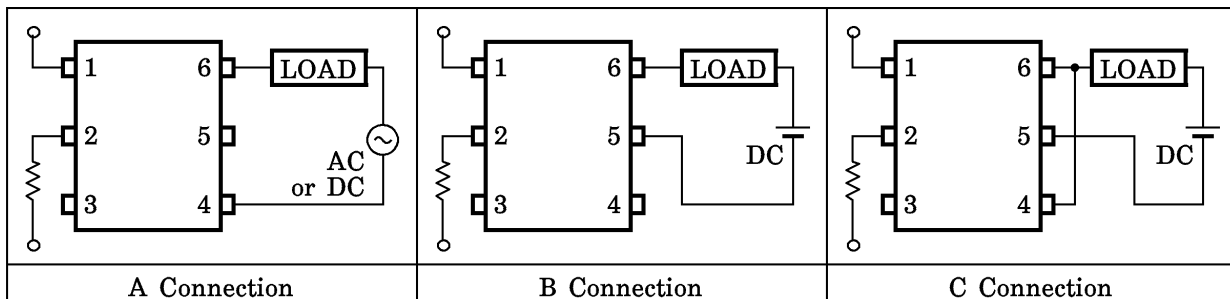
CHARACTERISTIC		SYMBOL	RATING	UNIT	
LED	Forward Current	I_F	50	mA	
	Forward Current Derating (Ta ≥ 25°C)	$\Delta I_F / ^\circ C$	-0.5	mA / °C	
	Peak Forward Current (100 μs pulse, 100 pps)	I_{FP}	1	A	
	Reverse Voltage	V_R	5	V	
	Junction Temperature	T_j	125	°C	
DETECTOR	Off-State Output Terminal Voltage	V_{OFF}	400	V	
	On-State RMS Current	A Connection	120	mA	
		B Connection	150		
		C Connection	200		
	On-State Current Derating (Ta ≥ 25°C)	A Connection	$\Delta I_{ON} / ^\circ C$	-1.2	mA / °C
		B Connection		-1.5	
		C Connection		-2.0	
Junction temperature	T_j	125	°C		
Storage Temperature Range	T_{stg}	-55~125	°C		
Operating Temperature Range	T_{opr}	-40~85	°C		
Lead Soldering Temperature (10 s)	T_{sol}	260	°C		
Isolation Voltage (AC, 1 min., R.H. ≤ 60%)	(Note 2) BV_S	2500	Vrms		

(Note 2) : Device considered a two-terminal device : Pins 1, 2 and 3 shorted together, and pins 4, 5 and 6 shorted together.

RECOMMENDED OPERATING CONDITIONS

CHARACTERISTIC	SYMBOL	MIN.	TYP.	MAX.	UNIT
Supply Voltage	V_{DD}	—	—	320	V
Forward Current	I_F	7.5	15	25	mA
On-State Current	I_{ON}	—	—	120	mA
Operating Temperature	T_{opr}	-20	—	80	°C

CIRCUIT CONNECTIONS



INDIVIDUAL ELECTRICAL CHARACTERISTICS (Ta = 25°C)

CHARACTERISTIC		SYMBOL	TEST CONDITION	MIN.	TYP.	MAX.	UNIT
LED	Forward Voltage	V_F	$I_F = 10 \text{ mA}$	1.0	1.15	1.3	V
	Reverse Current	I_R	$V_R = 5 \text{ V}$	—	—	10	μA
	Capacitance	C_T	$V = 0, f = 1 \text{ MHz}$	—	30	—	pF
DETECTOR	Off-State Current	I_{OFF}	$V_{OFF} = 400 \text{ V}$	—	—	1	μA
	Capacitance	C_{OFF}	$V = 0, f = 1 \text{ MHz}$	—	—	—	pF

COUPLED ELECTRICAL CHARACTERISTICS (Ta = 25°C)

CHARACTERISTIC		SYMBOL	TEST CONDITION	MIN.	TYP.	MAX.	UNIT
Trigger LED Current		I_{FT}	$I_{ON} = 120 \text{ mA}$	—	1	5	mA
On-State Resistance	A Connection	R_{ON}	$I_{ON} = 120 \text{ mA}, I_F = 10 \text{ mA}$	—	20	30	Ω
	B Connection		$I_{ON} = 150 \text{ mA}, I_F = 10 \text{ mA}$	—	12	20	
	C Connection		$I_{ON} = 200 \text{ mA}, I_F = 10 \text{ mA}$	—	6	10	

ISOLATION CHARACTERISTICS (Ta = 25°C)

CHARACTERISTIC	SYMBOL	TEST CONDITION	MIN.	TYP.	MAX.	UNIT
Capacitance Input to Output	C_S	$V_S = 0, f = 1 \text{ MHz}$	—	0.8	—	pF
Isolation Resistance	R_S	$V_S = 500 \text{ V}, R.H. \leq 60\%$	5×10^{10}	10^{14}	—	Ω
Isolation Voltage	BV_S	AC, 1 minute	2500	—	—	Vrms
		AC, 1 second (in oil)	—	5000	—	
		DC, 1 minute (in oil)	—	5000	—	Vdc

SWITCHING CHARACTERISTICS (Ta = 25°C)

CHARACTERISTIC	SYMBOL	TEST CONDITION	MIN.	TYP.	MAX.	UNIT
Turn-on Time	t_{on}	$R_L = 200 \Omega$	—	—	2	ms
Turn-off Time	t_{off}	$V_{DD} = 20 \text{ V}, I_F = 10 \text{ mA}$	—	—	2	

SWITCHING TIME TEST CIRCUIT

