

HD65901

MCU (Microcomputer Unit)

HD65901 is a CMOS 8-bit microcomputer, with integrated CPU, 2k-bytes of EEPROM, 3k-bytes of ROM, 128 bytes of RAM, and one Input/Output line on a single chip.

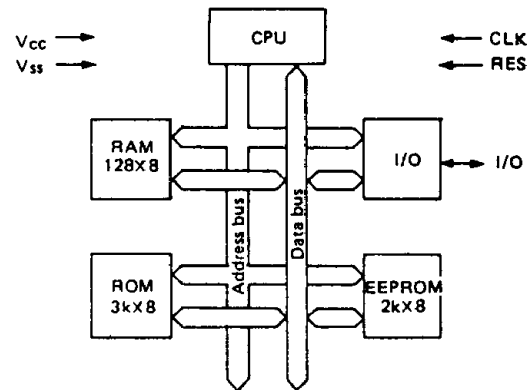
■ FEATURES

- CMOS EEPROM Process
- 8-bit CPU
 - 27 Instructions
 - Five Addressing Modes:
 - Immediate, Register Direct, Register Indirect, Relative, Implied Register
 - Internal Registers:
 - Program Counter (PC), General Purpose Register (R₀–R₁₅)
 - Condition Code Register (CCR: N, Z, and C flags)
- Memory
 - 3k-byte ROM
 - 128 byte RAM
 - 2k-byte EEPROM
 - EEPROM is located in internal memory address space
 - Byte write/erase
 - Page write/erase
 - Single 5V Power Supply
- General Purpose I/O
 - One I/O Line
- Data Security
 - ROM Data Security
 - EEPROM Data Security
- Operating Range
 - f = 3 to 10 MHz (V_{CC} = 5V ± 10%)
- Available in die form for smart card applications.

■ PROGRAM DEVELOPMENT SUPPORT TOOLS

- Cross assembler and simulator software for use with IBM PC or compatibles
- Hardware evaluation board

■ BLOCK DIAGRAM



Section 1. Overview

This MCU is a CMOS 8-bit microcomputer, integrating a CPU, 2k bytes of EEPROM, 3k bytes of ROM, 128 bytes of RAM, and one I/O line on a single chip.

1.1 Features

- . CMOS EEPROM Process
- . 8-bit CPU
 - 27 instructions
 - Five addressing modes;
 - Immediate, Register direct,
 - Register indirect, Relative,
 - Implied register
 - Internal Registers;
 - Program Counter (PC),
 - General Purpose Register (R0-R15)
 - Condition Code Register (CCR: N, Z, and C flags)
- . Memory
 - 3k-byte ROM
 - 128-byte RAM
- . EEPROM
 - 2k-byte EEPROM
 - EEPROM is located in internal memory address space
 - Byte erase/write
 - Page erase/write
 - Single 5V power supply
- . General purpose I/O
 - One I/O line
- . Data Security
 - ROM data security
 - EEPROM data security
- . Operating range
 - $f = 3 \text{ to } 5 \text{ MHz (VCC} = 5\text{V} \pm 10\%)$

1.2 Block Diagram

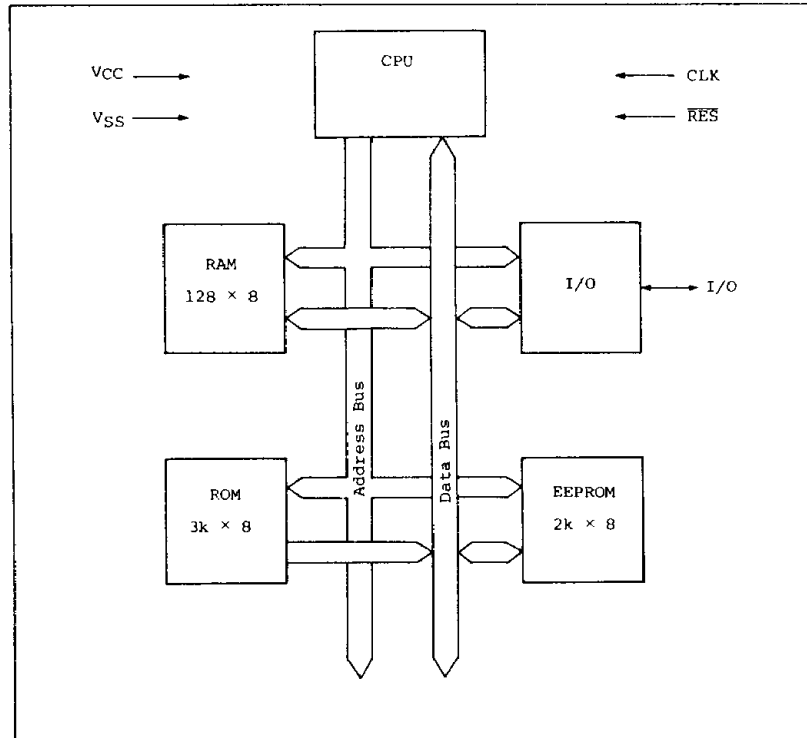


Figure 1-1 Block Diagram



1.3 Pad Arrangement

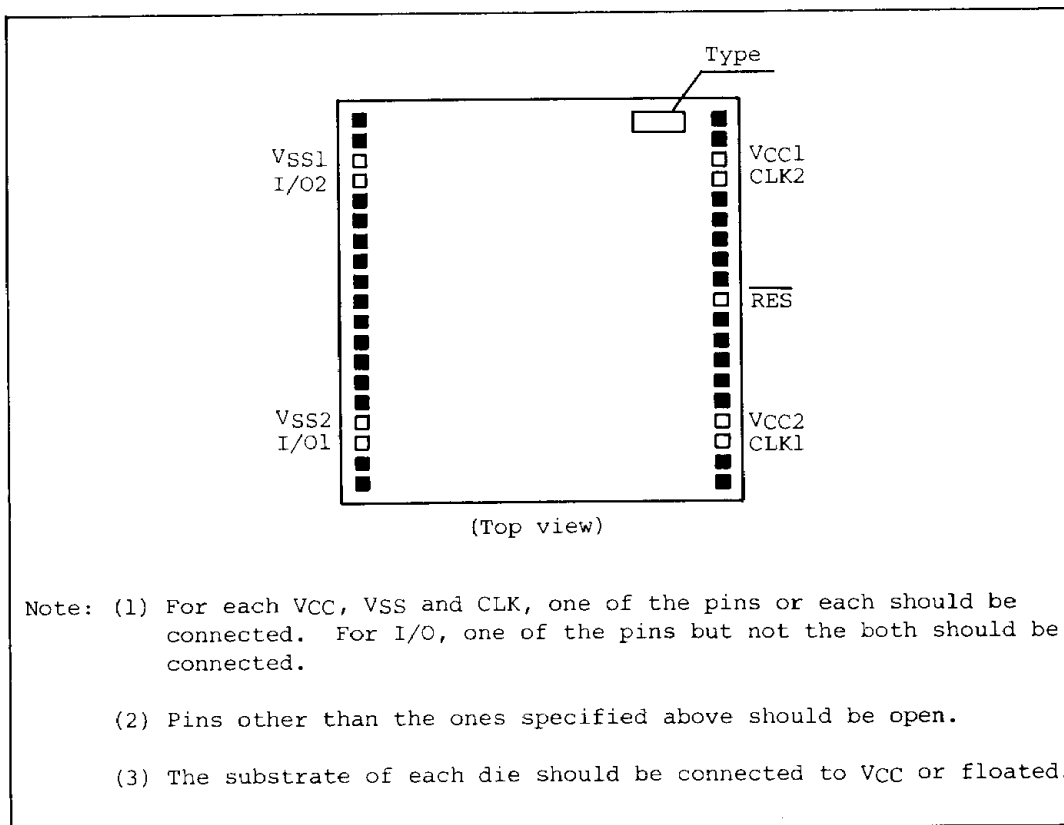


Figure 1-2 Pad Arrangement

1.4 Pin Description

Table 1-1 Pin Description

Pin	Symbol	Input/Output	Pin Name and Function
Power Supply	VCC		Power supply: Connected to Power. (5V±10%)
GND	VSS		Ground: Tied to ground. (0V)
Clock	CLK	Input	Clock: External clock is input.
Reset	RES	Input	Reset: When asserted LOW, initializes the MCU*.
Port	I/O	Input/Output	I/O port: 1-bit I/O line. Can be softwarely programmed as input or output.

* MCU: Microcomputer Unit

Section 2. CPU Architecture

2.1 CPU Architecture

This section explains the CPU architecture.

2.1.1 CPU registers

The CPU contains sixteen 8-bit General Purpose Registers (R0-R15), a 3-bit Condition Code Register (CCR) and a 16-bit Program Counter (PC). The CPU register configuration is shown in Figure 2-1.

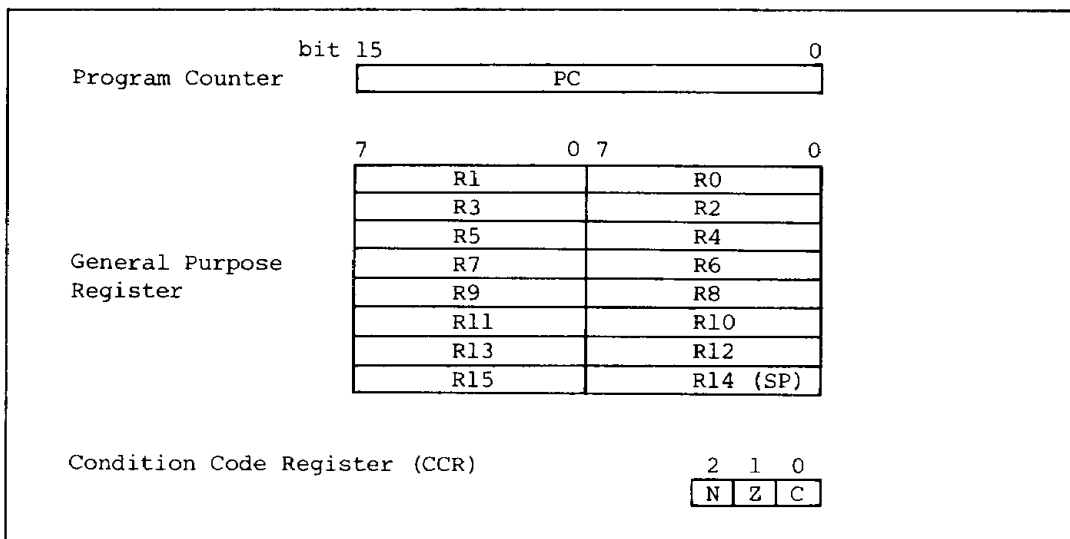


Figure 2-1 CPU Registers

2.1.2 Addressing mode

The CPU has five addressing modes as follows.

Register direct: The operand is located in one of the 8-bit or 16-bit General Purpose Registers specified by the register field in the op-code.

8-bit register : R0 - R15
 16-bit register pair: R1R0 - R15R14

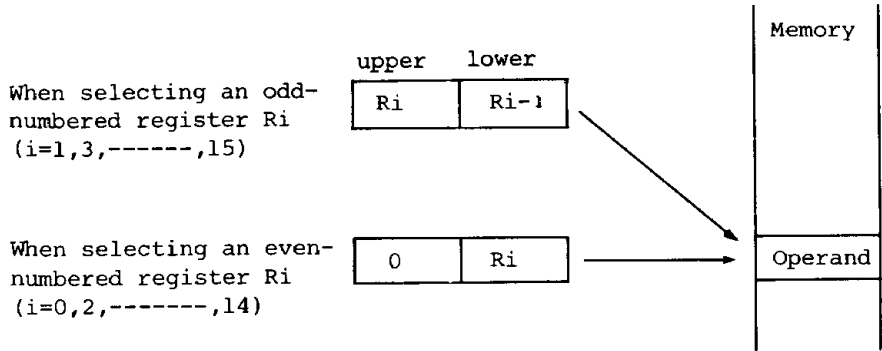
When selecting a 16-bit register pair in ADDD and SUBD, the odd-numbered register should be selected by the register field. For example, when selecting R1R0, R1 should be selected by the register field.

Register indirect: The effective address is located in one of the 8-bit or 16-bit General Purpose Register.

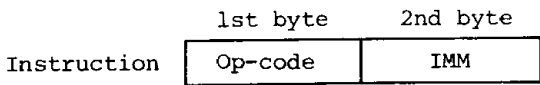


When selecting an odd-numbered register R_i ($i=1, 3, \dots, 15$), an effective address is contained in the 16-bit register pair R_iR_{i-1} .

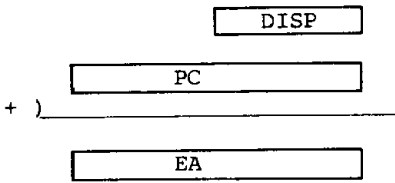
When selecting an even-numbered register R_i ($i=0, 2, \dots, 14$), the lower byte of the effective address is contained in the 8-bit register R_i and the upper byte of that becomes 0. Therefore, the effective address ranges from \$0000 to \$00FF. In this case, register R_{i+1} can be used as a data register.



Immediate: An 8-bit operand is included in the 2nd byte of the instruction.



Relative: The relative addressing mode is used by jump and call instructions. An effective address is calculated by summing the PC and a 8-bit signed displacement in the 2nd byte of the instruction. The relative addressing span is from -126 to +129 from the op-code address.



Implied Register: Certain op-codes automatically imply register usage, such as CTR which inherently reference the CPU register.

CPU ARCHITECTURE

The CPU register functions are summarized in Table 2-1.

Table 2-1 CPU Register Function

Register	Symbol	Function
Program Counter	PC	16 bit PC contains the address of instruction to be executed. Lower 14 bits of the PC effectively support 16k-byte address space, while upper 2 bits are ignored. PC is initialized to \$3400 during Reset.
General Purpose Register	R0-R15	General Purpose Registers can be used as both address and data registers. Depending on the instruction, these registers can be used as individual 8-bit registers (R0, R1, ----, R15) or 16-bit register pairs (R1R0, R3R2, ----, R15R14). R14 also functions as Stack Pointer (SP) during subroutine calls. Registers are not initialized by reset.
Condition Code Register	CCR	CCR consists of Carry (C), Zero (Z), and Negative (N), and reflects the result of logical and arithmetic instructions. Each function is described in Table 2-2. They are not initialized by reset.

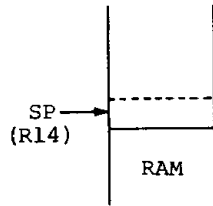
Table 2-2 Condition Code Register Description

Condition Code	Symbol	Function
Negative	N	Bit 2. Set if the result is negative (MSB=1); reset otherwise.
Zero	Z	Bit 1. Set if the result is zero; reset otherwise.
Carry	C	Bit 0. Set if a "carry" or "borrow" occurs from the MSB of the result; reset otherwise. A "carry" or "borrow" occurs after the following instruction executions. (a) Addition (b) Subtraction (c) Shift and Rotation

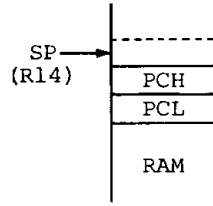


2.1.3 Subroutine calls

CALL: CALL pushes the PC onto the stack and then the CPU begins the subroutine. Then R14 functions as Stack Pointer for stacking.



Before CALL execution
(After RET execution)



After CALL execution
(Before RET execution)

Because the SP (R14) is an 8-bit register, the stack area ranges from \$00 to \$FF in the memory address space. The SP pointing to the next available address of the stack is decremented by two after CALL execution.

RET: RET pops the PC from the stack. Then, the SP is incremented by two.

2.1.4 Instruction format

1	FN	D	IMM	Immediate
0	0 0	FN	S D	Register-Register
0	0 1	FN	S D	Memory-Register
0	0 1	0 1 1 1 0	D S	ST (Store)
0	1 0	0 0	COND DISP	Jump (Relative)
0	1 0	1 0	COND R 0 0 0 0	Jump (Indirect)
0	1 0	0 1	COND DISP	CALL (Relative)
0	1 0	1 1	COND R 1 1 1 0	CALL (Indirect)
0	1 1	1 1 1 1 0	COND 0 0 0 0 1 1 1 0	RET

Note: FN : Function field
 IMM : Immediate data
 COND: Jump condition
 DISP: Displacement
 S : Source register field
 D : Destination register field
 R : Register field

CPU ARCHITECTURE

2.2 CPU Basic Timing

2.2.1 Machine cycle

The external clock (CLK) is divided by four to generate an S clock. One cycle of S clock makes up one machine cycle (one memory cycle). The machine cycle is shown in Figure 2-2.

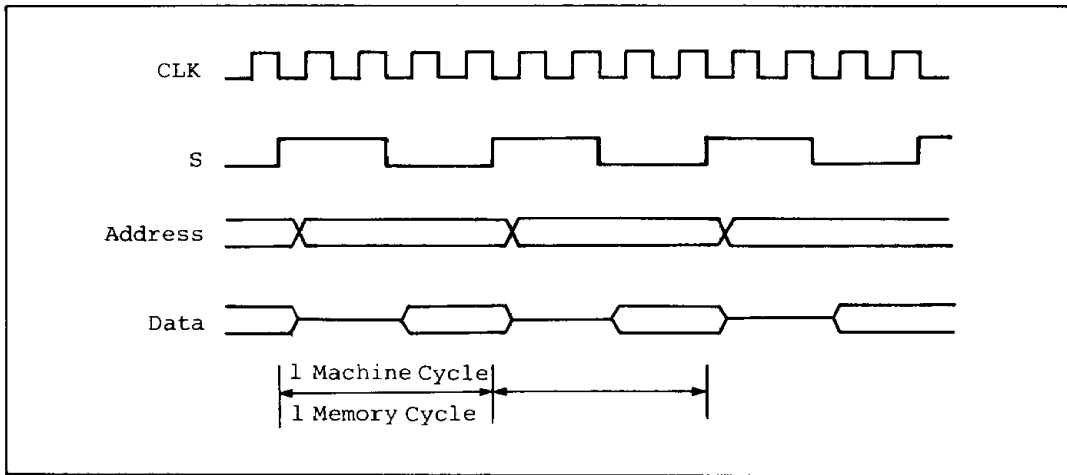


Figure 2-2 Machine Cycle

2.2.2 Instruction execution timing

All instructions are executed in four machine cycles except CALL and RET instructions which require five machine cycles for execution. Figures 2-3 2-11 illustrate basic instruction execution timings.

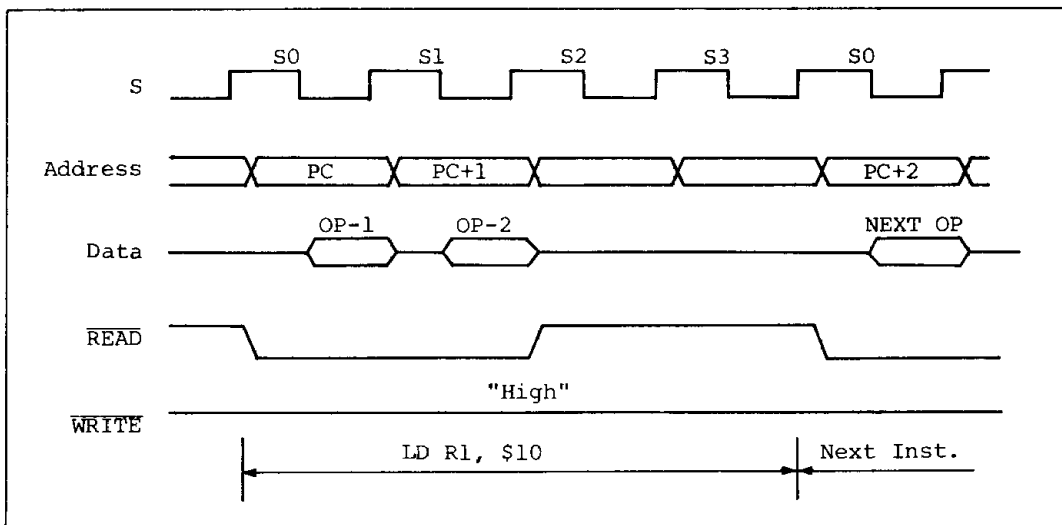


Figure 2-3 LD R1, \$10 Execution Timing (Immediate)



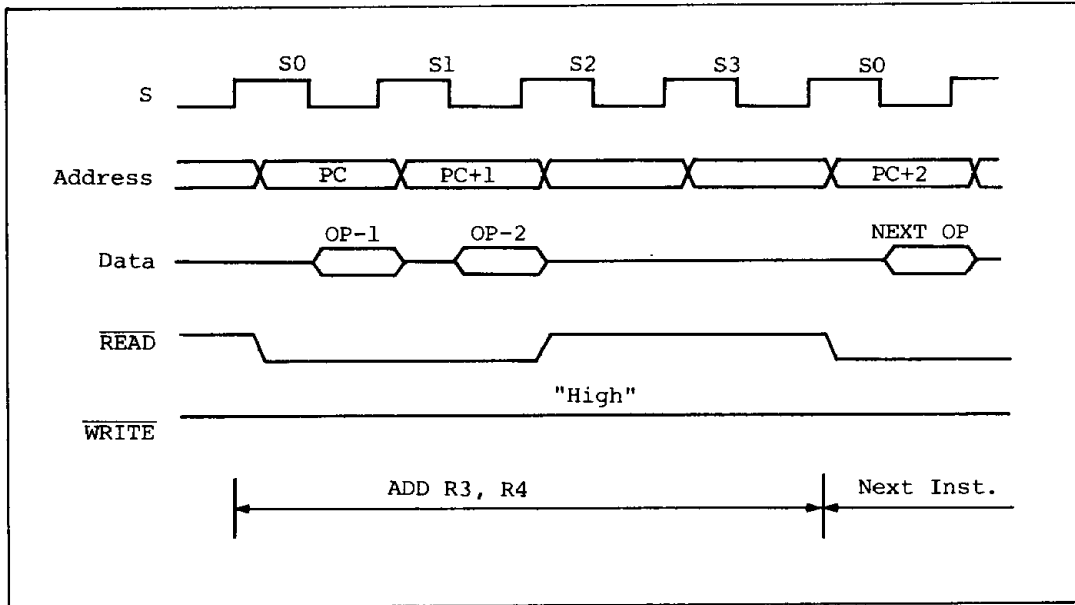


Figure 2-4 ADD R3, R4 Execution Timing (Register Direct)

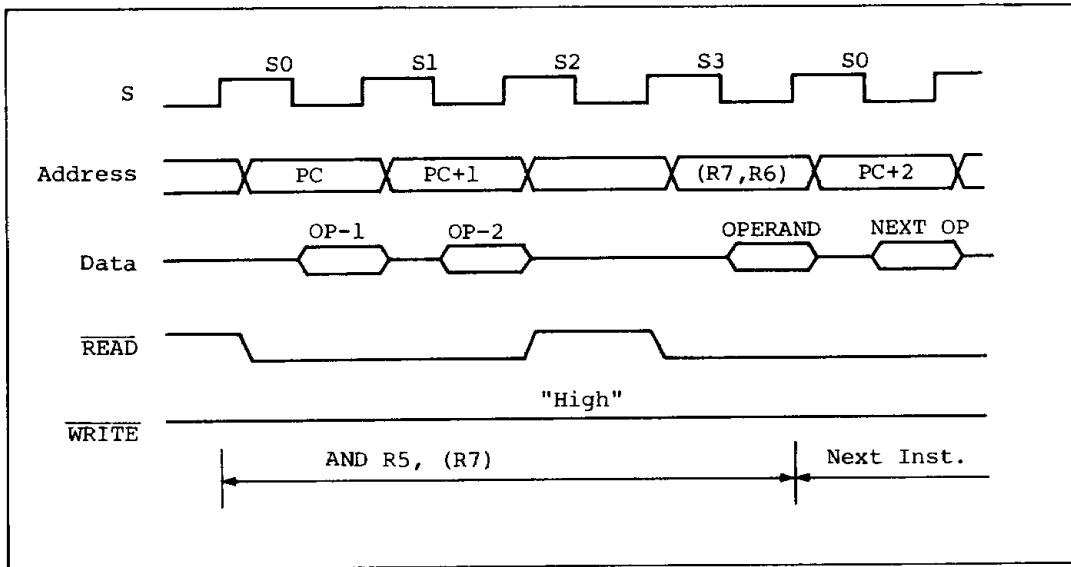


Figure 2-5 AND R5, (R7) Execution Timing (Register Indirect)

CPU ARCHITECTURE

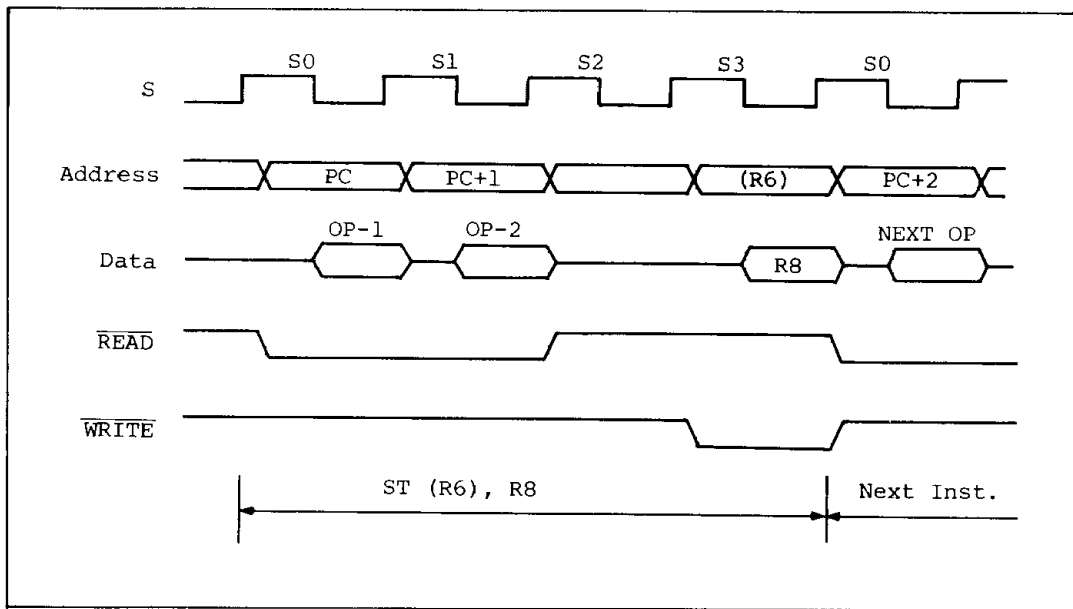


Figure 2-6 ST (R6), R8 Execution Timing (Register Indirect)

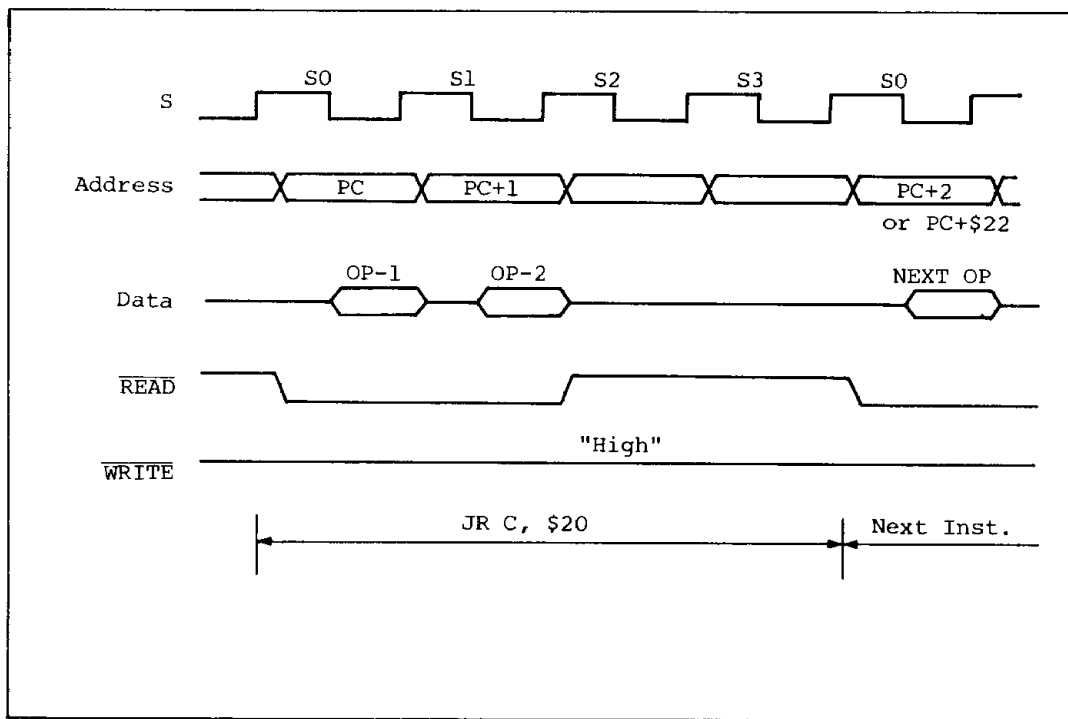


Figure 2-7 JR C, \$20 Execution Timing (Relative)

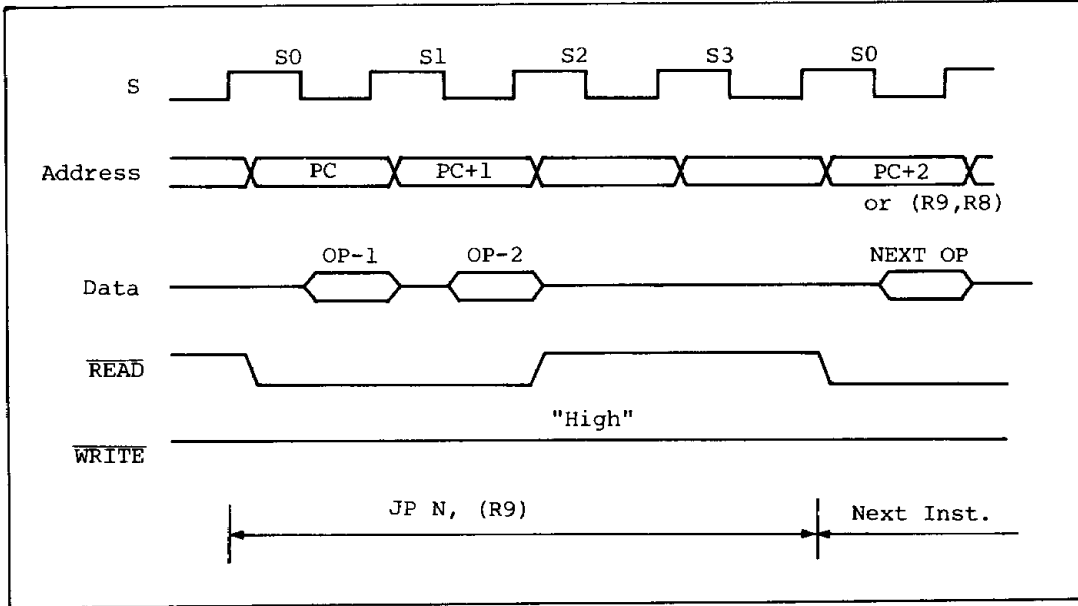


Figure 2-8 JP N, (R9) Execution Timing (Register Indirect)

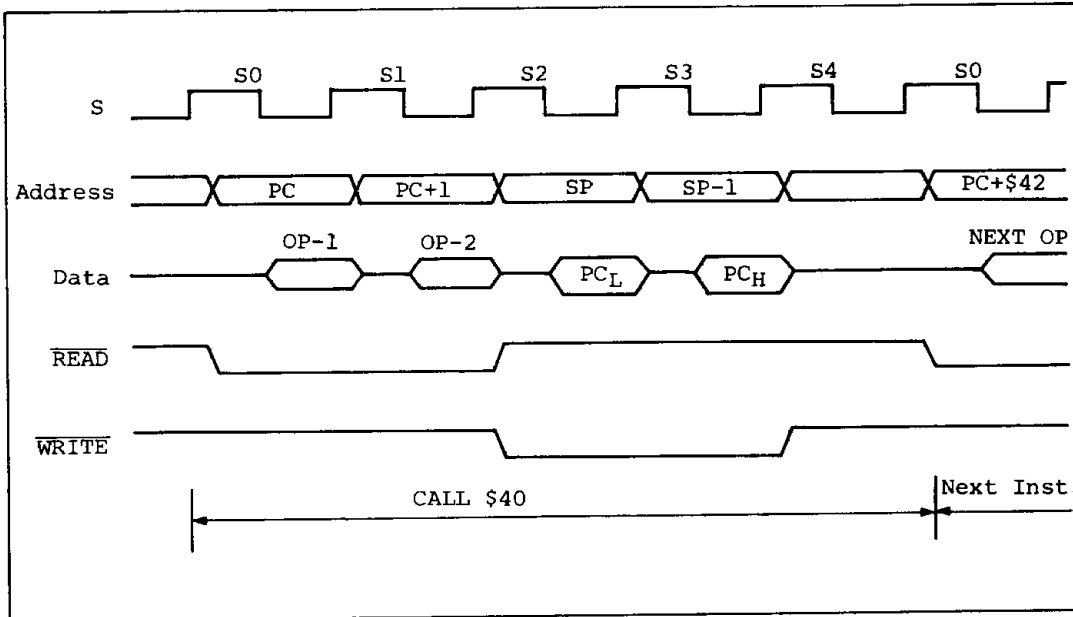


Figure 2-9 CALL \$40 Execution Timing (Relative)

CPU ARCHITECTURE

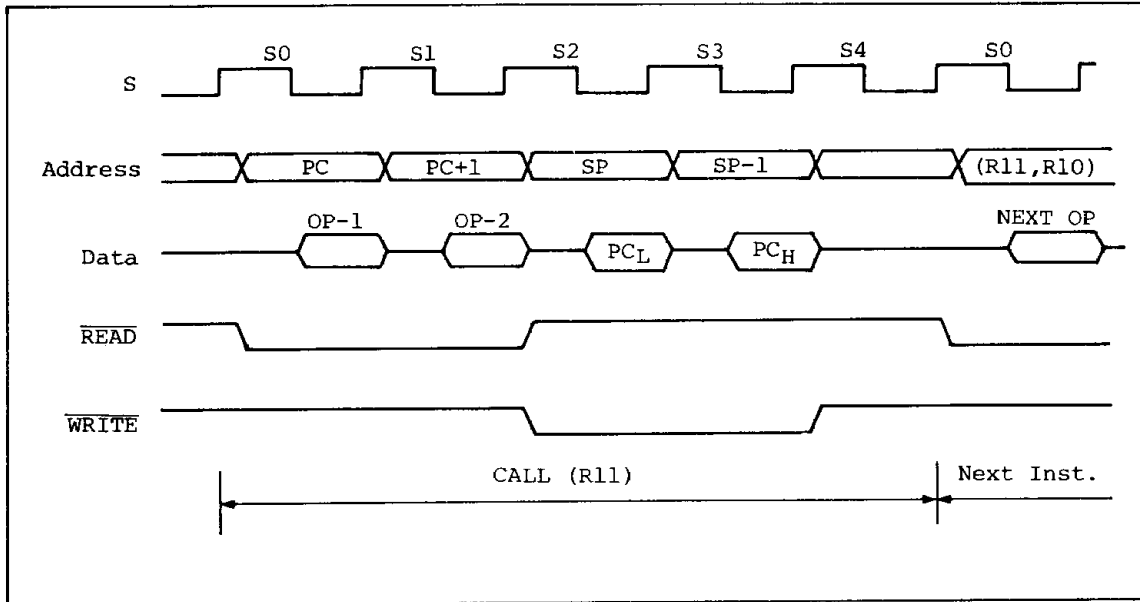


Figure 2-10 CALL (R11) Execution Timing (Register Indirect)

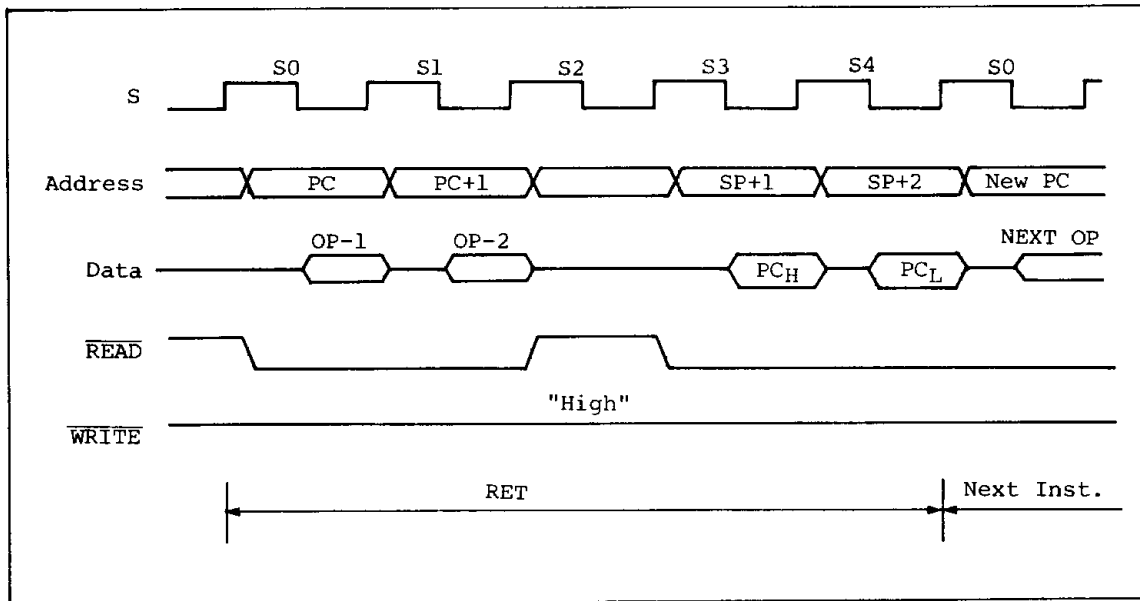


Figure 2-11 RET Execution Timing

2.2.3 Reset and restart timing

When $\overline{\text{RES}}$ is asserted LOW, the MCU enters the reset mode. To complete reset, $\overline{\text{RES}}$ must be asserted LOW for at least 5 machine cycles (20 external clock cycles).

When $\overline{\text{RES}}$ is brought HIGH again, the CPU restarts operations from \$3400 (Starting address of ROM).

$\overline{\text{RES}}$ must also be brought LOW to facilitate power-on reset.

Reset and restart timing is shown in Figure 2-12.

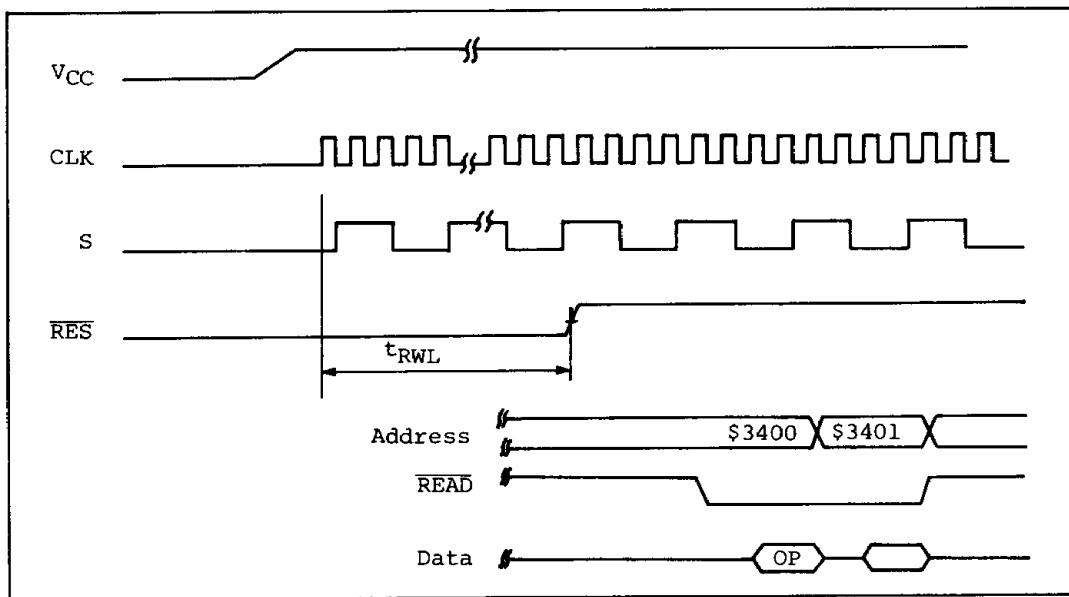


Figure 2-12 Reset Timing

CPU ARCHITECTURE

2.3 Memory Map

Figure 2-13 shows the memory configuration.

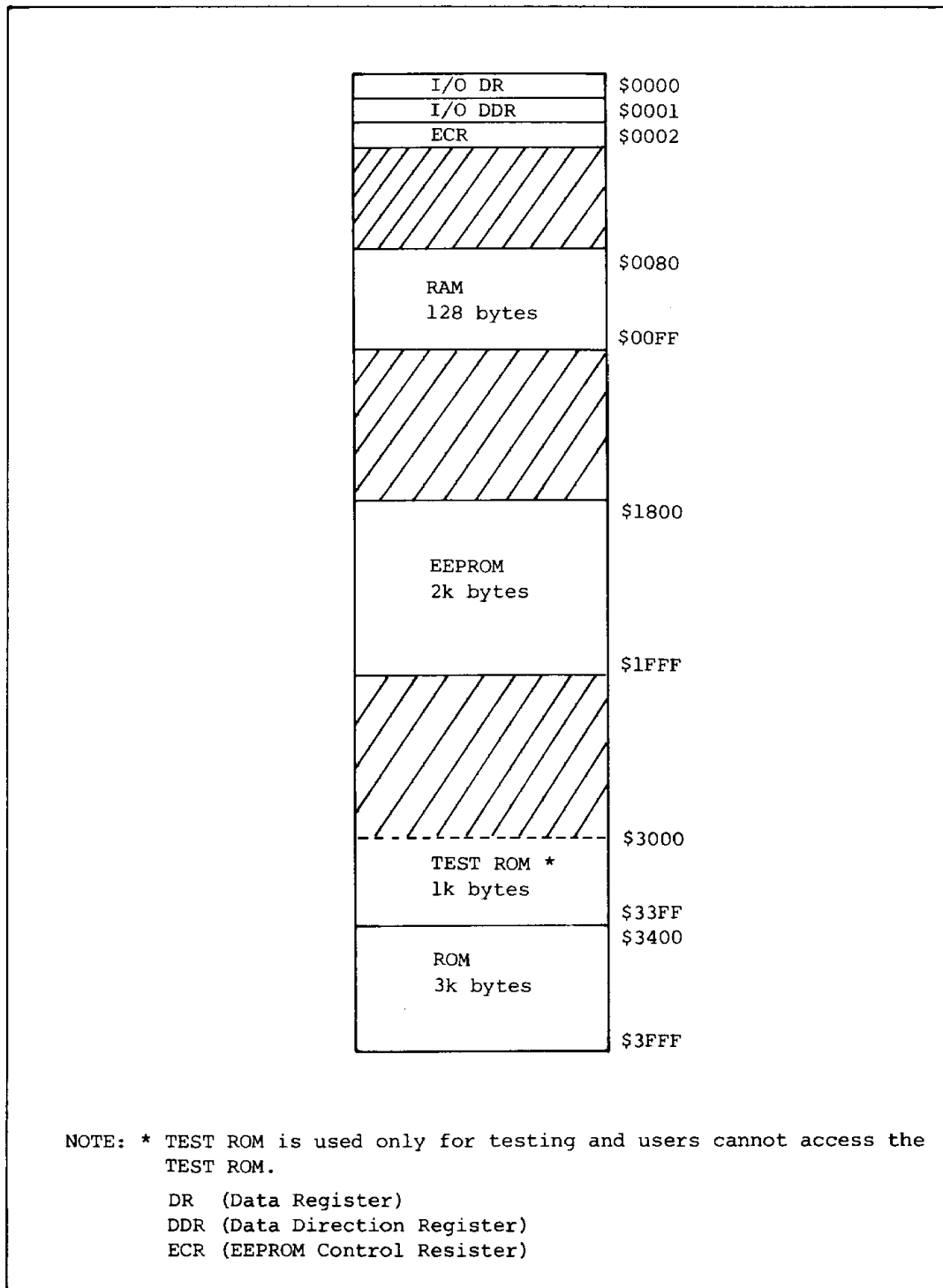


Figure 2-13 Memory Map

Section 3. On-Chip Peripherals

3.1 EEPROM

3.1.1 On-chip EEPROM overview

The MCU incorporates EEPROM; electrically erasable and programmable ROM. The on-chip EEPROM features are as follows.

- . 2k bytes
- . Located in memory address space
- . Byte erase/write
- . Page erase/write
- . Address, data, and control latches for erase/write
- . On-chip high voltage generation circuit
- . On-chip clock generator and timer
- . Maximum 10^4 erase/write times
- . 10 year data retention

3.1.2 EEPROM block diagram

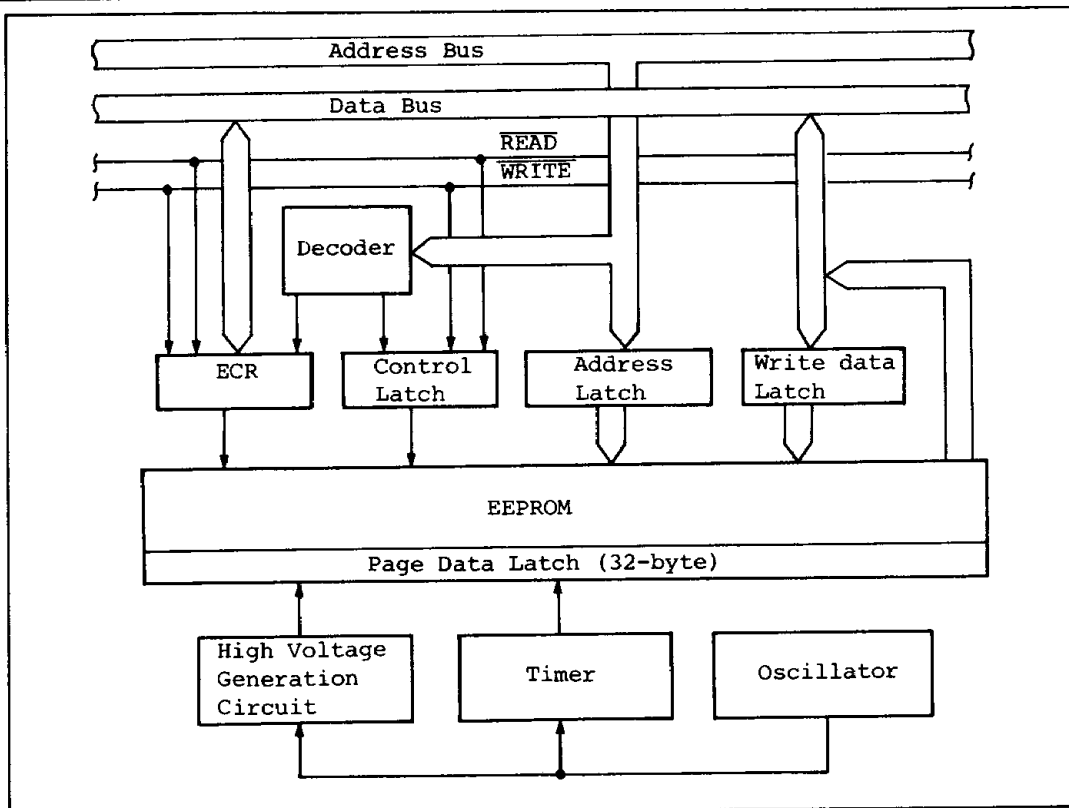


Figure 3-1 EEPROM Block Diagram

ON-CHIP PERIPHERALS

Memory mat: The EEPROM is a 2048 × 8 bits matrix with 64 pages (32 byte/page) for page erase/write. The EEPROM configuration is shown in Figure 3-2.

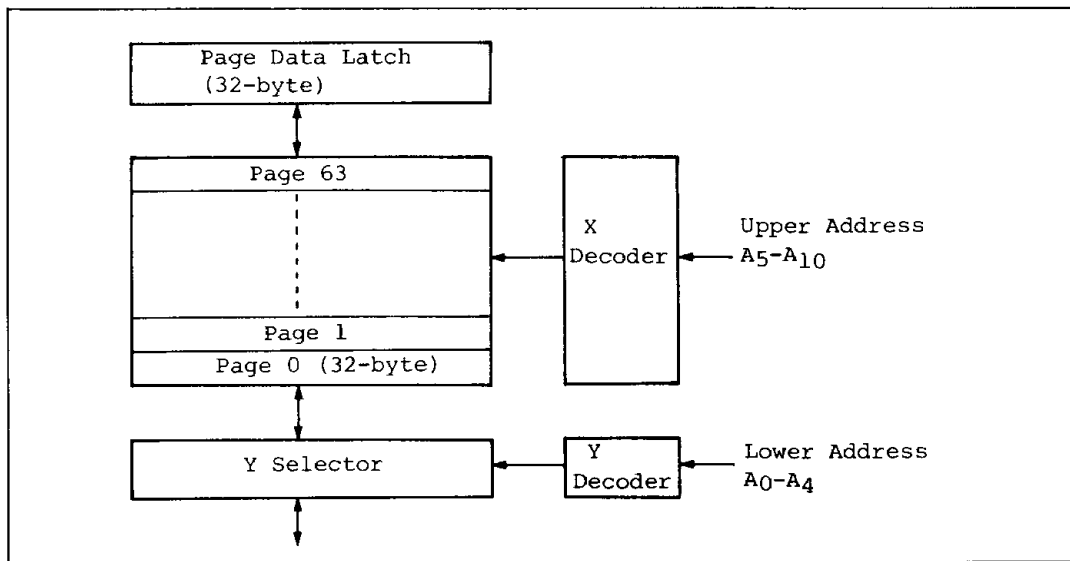


Figure 3-2 EEPROM Memory Mat

Address, data, and control latches: The EEPROM incorporates address, data and control latches. The latched data can be retained during programming. This enables EEPROM programming to be carried out in the same way as RAM programming. (CPU need not hold address and data during erase/write cycles.)

Clock generator and timer: The EEPROM combines a clock generator and timer to control EEPROM erase/write operations. CLK (the CPU system clock) is independent of EEPROM clock so that the EEPROM erase/write timing will not be affected by the CPU operating frequency.

High voltage generation circuit: A high voltage generation circuit for programming is incorporated in the EEPROM.

EEPROM Control Register (ECR): The EEPROM Control Register (ECR) controls EEPROM erasures and programmings. The ECR configuration is illustrated in Figure 3-3.

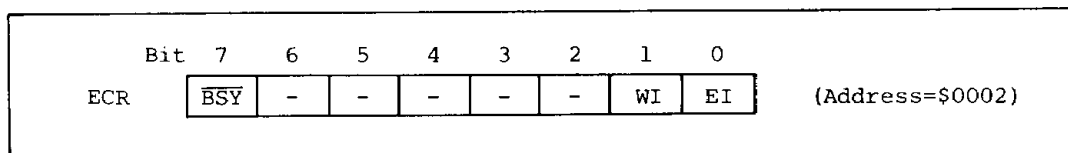


Figure 3-3 EEPROM Control Register



Table 3-1 summarizes the ECR functions.

Table 3-1 ECR Function

Bit	Bit Name	Symbol	Function	Read/Write	Initial Value
7	READY/ $\overline{\text{BUSY}}$	$\overline{\text{BSY}}$	Reflects the condition of EEPROM. If $\overline{\text{BSY}}=0$, EEPROM is in the erase/write cycle. If $\overline{\text{BSY}}=1$, EEPROM erase/write cycle is completed. Note that EEPROM can be accessed only when $\overline{\text{BSY}}=1$.	Read	1 *1
1	Write Inhibit	WI	Inhibits the EEPROM writing. If WI=0, EEPROM writing is enabled. If WI=1, EEPROM writing is prevented. WI is utilized for page erasure.	*2 Read/Write	0 *1
0	Erase Inhibit	EI	Inhibits the EEPROM erasure. If EI=0, EEPROM erasure is enabled. If EI=1, EEPROM erasure is inhibited. The EEPROM data can be programmed from 1 to 0, but it cannot be reprogrammed from 0 to 1 (equivalent to PROM).	*2 Read/Write	0 *1

Notes: *1. If the $\overline{\text{RES}}$ pin is asserted LOW during the erase-write cycle, EEPROM stops the erase-write operation. And then the $\overline{\text{BSY}}$, WI and EI bits are initialized by reset. It may cause a wrong erase or a wrong write. So it should not be reset during the erase/write operation.

*2. WI and EI are programmable only when $\overline{\text{BSY}}=1$.

*3. Unused bits of the ECR (bit 2-6) are always "1".

3.1.3 EEPROM read operation

The EEPROM can be directly read by the CPU in the same way as ROM and RAM only when $\overline{\text{BSY}}$ in the ECR is set to 1. If the EEPROM is read when $\overline{\text{BSY}}=0$, the MCU performs data polling to check whether the erase/write operation is completed or not. Refer to 3.1.4 (7) Data polling for further details. Figure 3-4 shows the EEPROM read timing.

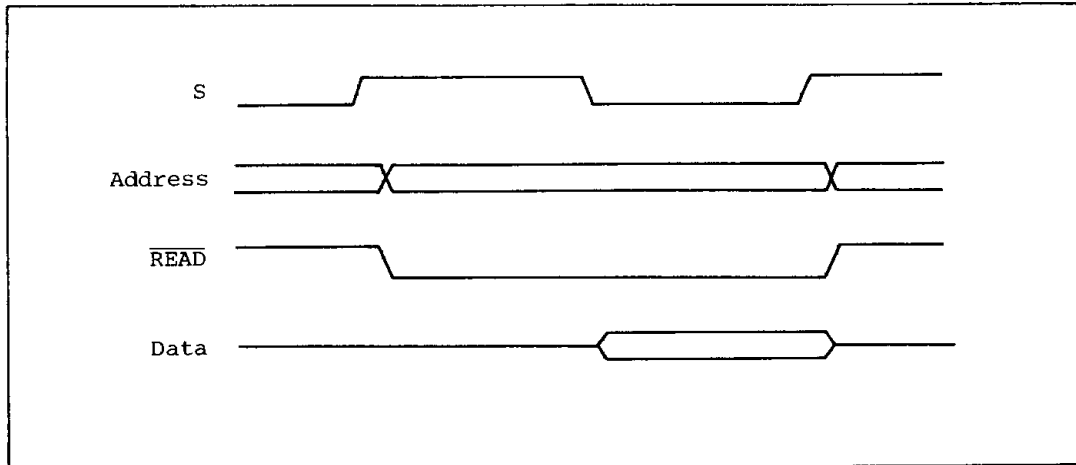


Figure 3-4 EEPROM Read Timing

3.1.4 EEPROM erase/write

(1) EEPROM erase/write sequence: EEPROM erase/write is done by the ST instruction like RAM. Once the ST instruction is executed, EEPROM begins the erase and write operation.

First, EEPROM latches the address and data, second, it erases the old data and finally it writes the new data which is latched in the first.

These sequence is controlled and done automatically by the internal control circuit.

Figure 3-5 summarizes EEPROM erase/write sequence.

(2) Byte erase/write (EI=0): The EEPROM can be programmed on a byte basis with ST instruction. The EEPROM erase/write time specification is 15ms (max.). $\overline{\text{BSY}}$ in the ECR can be used to check whether the erase/write cycle has been completed or not. Figure 3-6 shows byte erase/write timing.

(3) Byte write (EI=1): If EI=1, the EEPROM can be written on a byte basis but it can not be erased. Because byte locations are not erased prior to a new data write, the existing data and new data are logically ANDed to obtain new programmed data.

Ex.	existing data	10010110
	new data	10001111
	<u>new programmed data</u>	<u>10000110</u>

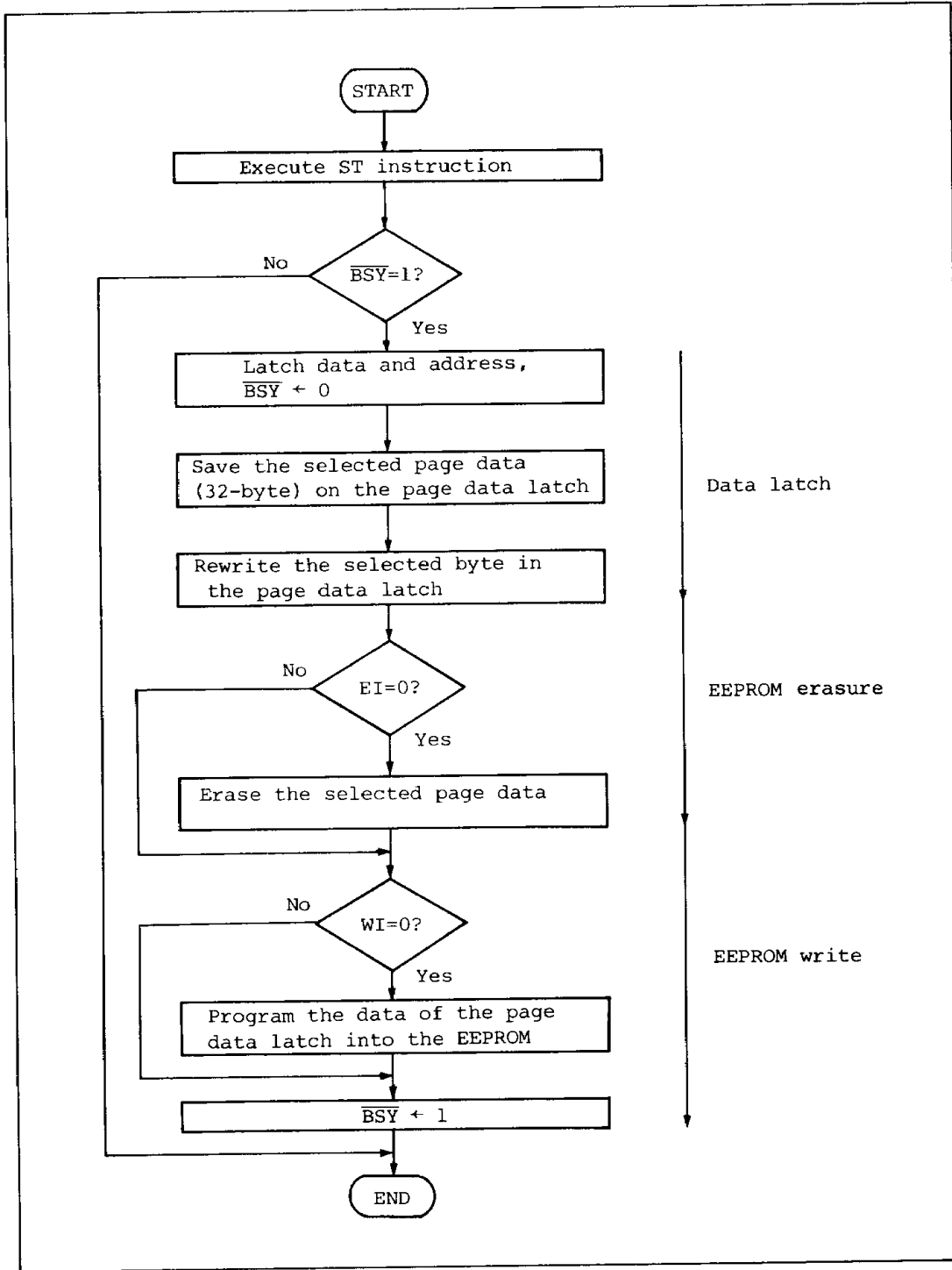


Figure 3-5 EEPROM Erase/Write Sequence

ON-CHIP PERIPHERALS

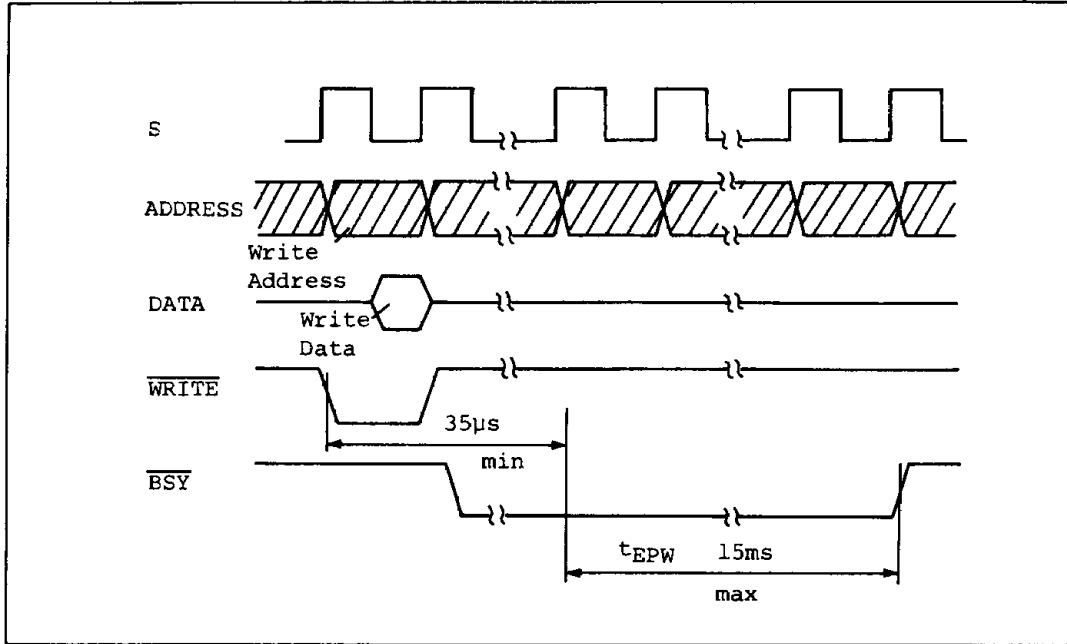


Figure 3-6 Byte Erase/Write Timing

(4) Page write (EI=0): Write operations are done on page basis as shown in Figure 3-5. Therefore more than one byte(2 to 32 bytes) can be written in one write cycle if writing data are existing in a same page. The operations are performed easily by writing the data consecutively during data latching. The intervals of each written data must be less than 35 μ s. Figure 3-7 shows the timing required for page write. It takes a maximum of 15ms to write one page.

Data bytes written at one time must be on the same page. If data are on the same page, the order in which the bytes are written is unrestricted.

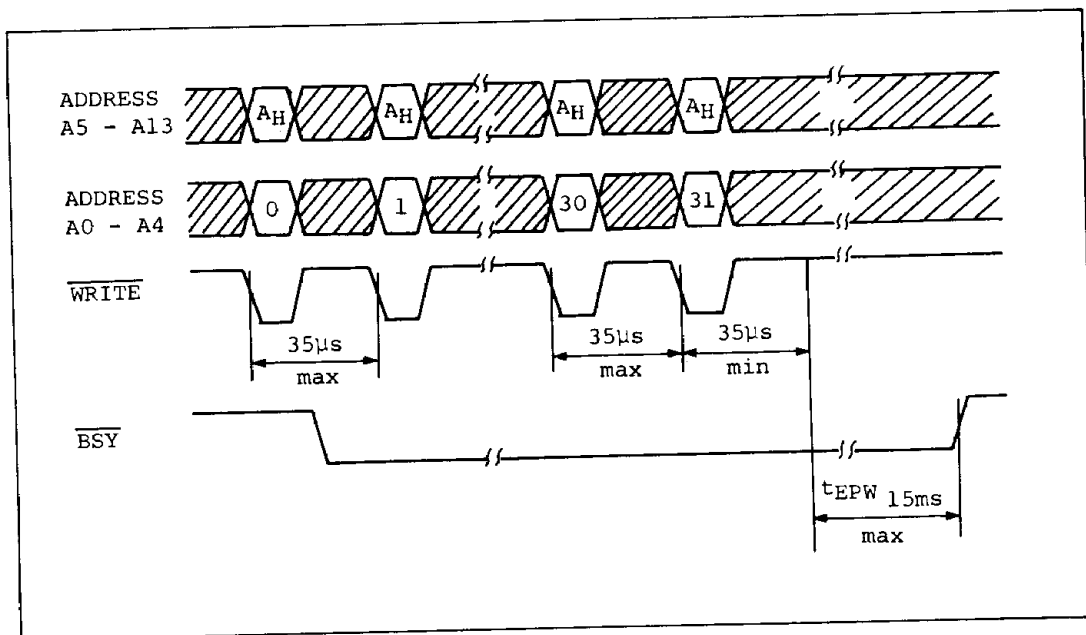


Figure 3-7 Page Write Timing

(5) Page write (EI=1): Since erase operation is not performed before the write operation, the writing data is ANDed with the last data before writing.

It takes a maximum of 15ms to writing one page.

(6) Page erase: Page erase operations are performed by writing any data of one byte with WI bit of ECR "1". The page to be erased are selected by the upper address (A5 to A13).

The maximum time required to erase one page is 15ms. Completion of erasure can be determined by monitoring the \overline{BSY} flag.

(7) Data polling: Besides monitoring the \overline{BSY} flag, data polling can be used to determine when erase/write operations have been completed.

ON-CHIP PERIPHERALS

When reading EEPROM during erase/write operations, an inverted data of the last written data is read out to the MSB. "0s" are read to the lower 7 bits regardless of write data. (Refer to Figure 3-8.)

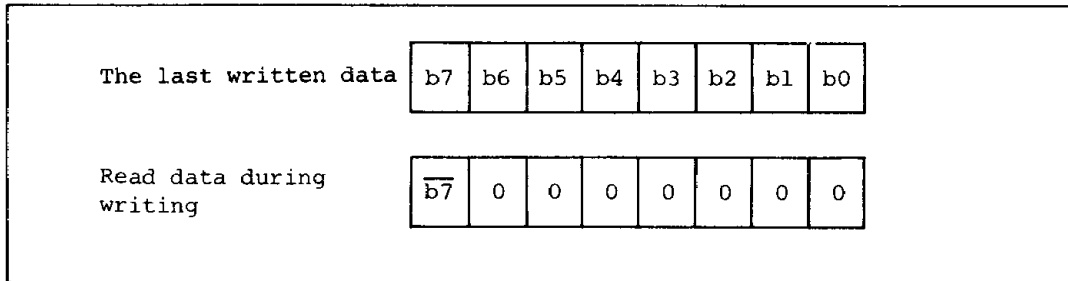


Figure 3-8 Data Polling

(8) Others: When write operations are performed with WI and EI of ECR set, the \overline{BSY} is held at "0" for a maximum of 15ms. The memory contents are not changed. (Data polling also functions.)

EEPROM operation modes are summarised in Table 3-2.

Table 3-2 EEPROM Operation Mode

Mode	Control				
	\overline{READ}	\overline{WRITE}	ECR		\overline{BSY}
			WI	EI	
Read	0	1	-	-	1
Data Polling	0	1	-	-	0
Erase-Write *	1	0	0	0	1+0
Write	1	0	0	1	1+0
Page Erasure	1	0	1	0	1+0
Erase Write Inhibit	1	0	1	1	1+0

Notes: * Byte write and page write operations are the same in terms of operation mode. The difference is that in number of bytes to be written at one time.

3.2 I/O

This pin is a 1-bit data I/O pin which is set to input or output by the software. It is TTL compatible.

3.2.1 I/O pin configuration

Figure 3-9 shows I/O pin configuration.

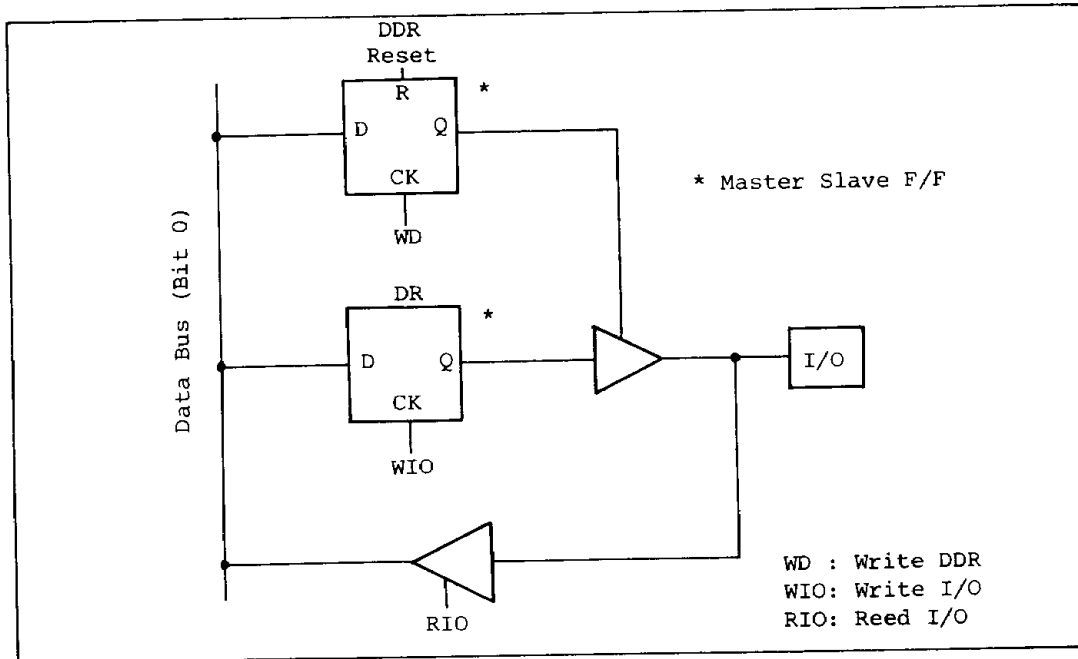


Figure 3-9 I/O pin configuration

The I/O pin includes a data register (DR) which latches output data, and a data direction register (DDR) which designates input and output direction. Their configurations are shown in Figure 3-10.

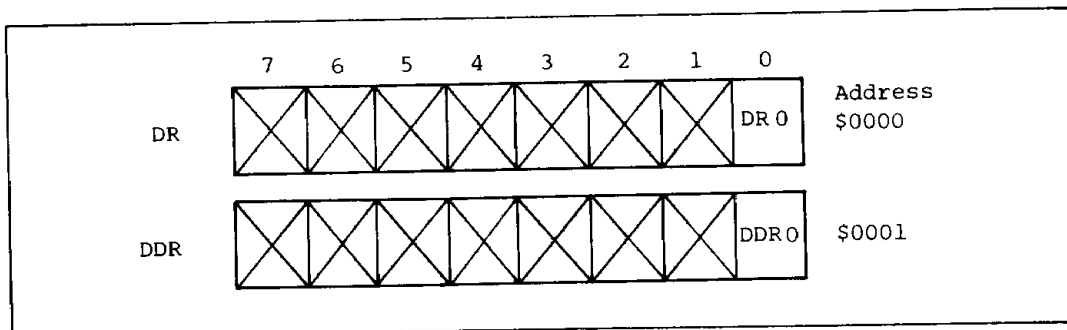


Figure 3-10 I/O Register

ON-CHIP PERIPHERALS

Data Direction Register (DDR): DDR is a 1-bit register. When writing "1" to bit 0, the I/O pin is used as output, while writing "0", I/O pin becomes input. DDR is a "write-only" register. If it is read, \$FF appears.

DDR becomes "0" (input) by reset.

Data Register (DR): DR is a 1-bit "write-only" register. The content of bit 0 is output to the I/O pin. If it is read, the I/O pin status is read instead of the contents of DR ("1s" are read except for bit 0).

DR is not initialized by reset. (Undefined after power-on.)

3.2.2 I/O pin timing

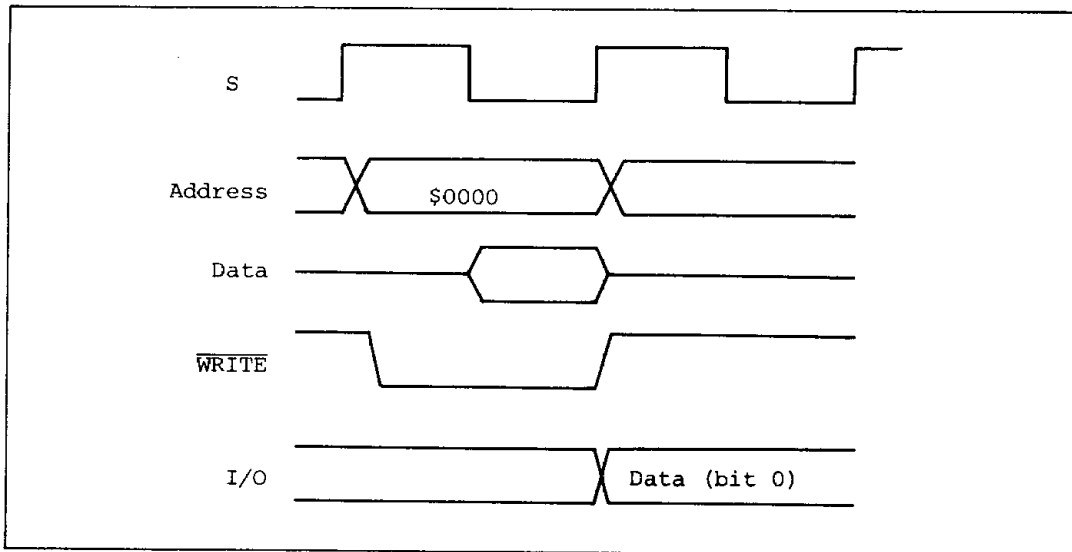


Figure 3-11 I/O pin Output Timing

Section 4. Instruction Set Overview

4.1 Instruction Set Details

The symbols used in the Instruction Set Details and Instruction Set Summary are described as follows.

4.1.1 Specifying register

ri and rj are symbols for specifying a register. A register is specified (8-bit register or 16-bit register pair) by an instruction. The corresponding register is as follows.

8-bit	<u>ri</u>	<u>Ri</u>	16-bit	<u>ri</u>	<u>Ri</u>	<u>Ri-1</u>
	0	R0		1	R1	R0
	1	R1		3	R3	R2
	⋮	⋮		⋮	⋮	⋮
	F	R15		F	R15	R14

4.1.2 Specifying conditions

f is a symbol which specifies a condition when executing a jump instruction. The conditions corresponding to each f are as follows.

<u>f</u>	<u>Condition</u>
NZ	non zero
Z	zero
NC	non carry
C	carry
P	positive
N	negative

4.1.3 Addressing mode

Refer to "2.1.2 Addressing mode" for details.

REG : Register Direct

REGI: Register Indirect

IMM : Immediate

REL : Relative

IMP : Implied Register



INSTRUCTION SET OVERVIEW

4.1.4 Condition code

The following symbols are used with respect to condition code changes.

• : Not changed.

↑ : Changed according to operation results.

4.1.5 Others

(R)_M : content in the memory addressed by R

m : 8-bit immediate data

g : 8-bit displacement

H or L : "H", attached to m or g, shows upper 4 bits and "L" shows lower 4 bits.

S : Source addressing mode

D : Destination addressing mode

4.1.6 Precautions

For (Rj)_M, the contents of the register pair Rj Rj-1 are used as address if "j" is an odd number, while the content of the Register Rj is used as lower 8 bit address and upper 8 bit address is "0" if "j" is an even number.

When using the instruction ADDD, SUBD, JP, or CALL (Indirect), designate "i" of Ri as an odd number because the instructions specify a register pair (16 bits).

INSTRUCTION SET OVERVIEW

ARITHMETIC OPERATION

ADC

ADC (Add with Carry)

FORMAT

ADC Ri, m

CONDITION CODES

C: Set if a carry is generated from the most significant bit of the result; cleared otherwise

Z: Set if the result is 0; cleared otherwise

N: Set if the most significant bit of the result is 1; cleared otherwise

OPERATION

$R_i + m + C \rightarrow R_i$

DESCRIPTION

Adds the contents of the carry bit C to the sum of the contents of the Ri and an 8-bit data m, and places the result in the Ri.

ADDRESSING MODE & NUMBER OF MACHINE CYCLES

ADDRESSING MODE		MNEMONIC	OPERAND TYPE	INSTRUCTION CODE		NUMBER OF MACHINE CYCLES
S	D			Byte 1	Byte 2	
REG/IMM	REG	ADC	Ri, m	9ri	mHmL	4



INSTRUCTION SET OVERVIEW

ARITHMETIC OPERATION
ADC

ADC (Add with Carry)

FORMAT

ADC Ri, Rj

CONDITION CODES

C: Set if a carry is generated from the most significant bit of the result; cleared otherwise

Z: Set if the result is 0; cleared otherwise

N: Set if the most significant bit of the result is 1; cleared otherwise

OPERATION

$R_i + R_j + C \rightarrow R_i$

DESCRIPTION

Adds the contents of the carry bit C to the sum of the contents of register Ri and Rj, and places the result in the Ri.

ADDRESSING MODE & NUMBER OF MACHINE CYCLES						
ADDRESSING MODE		MNEMONIC	OPERAND TYPE	INSTRUCTION CODE		NUMBER OF MACHINE CYCLES
S	D			Byte 1	Byte 2	
REG		ADC	Ri, Rj	01	rjri	4



INSTRUCTION SET OVERVIEW

ARITHMETIC OPERATION
ADC

ADC (Add with Carry)

FORMAT	<p>ADC Ri, (Rj)</p>
--------	---------------------

CONDITION CODES	<p>C: Set if a carry is generated from the most significant bit of the result; cleared otherwise</p> <p>Z: Set if the result is 0; cleared otherwise</p> <p>N: Set if the most significant bit of the result is 1; cleared otherwise</p>
-----------------	--

OPERATION	<p>$R_i + (R_j)_M + C \rightarrow R_i$</p>
-----------	---

DESCRIPTION	<p>Adds the contents of the carry bit C to the sum of the contents of register Ri, and the data addressed by the contents of the Rj. The result is placed in Ri.</p> <p>When the Rj is an odd-numbered register (j=1,3,5,...,15), the memory address is contained in the register pair RjRj-1.</p> <p>While, when the Rj is an even-numbered register, the lower byte of memory address is contained in the Rj and the upper byte becomes 0.</p>
-------------	--

ADDRESSING MODE & NUMBER OF MACHINE CYCLES						
ADDRESSING MODE		MNEMONIC	OPERAND TYPE	INSTRUCTION CODE		NUMBER OF MACHINE CYCLES
S	D			Byte 1	Byte 2	
REG/REGI	REG	ADC	Ri, (Rj)	21	rjri	4

INSTRUCTION SET OVERVIEW

ARITHMETIC OPERATION
ADD

ADD (Add without Carry)

<table border="1"> <tr> <td>FORMAT</td> </tr> <tr> <td>ADD Ri, m</td> </tr> </table>	FORMAT	ADD Ri, m	<table border="1"> <tr> <td>CONDITION CODES</td> </tr> <tr> <td>C: Set if a carry is generated from the most significant bit of the result; cleared otherwise</td> </tr> <tr> <td>Z: Set if the result is 0; cleared otherwise</td> </tr> <tr> <td>N: Set if the most significant bit of the result is 1; cleared otherwise</td> </tr> </table>	CONDITION CODES	C: Set if a carry is generated from the most significant bit of the result; cleared otherwise	Z: Set if the result is 0; cleared otherwise	N: Set if the most significant bit of the result is 1; cleared otherwise
FORMAT							
ADD Ri, m							
CONDITION CODES							
C: Set if a carry is generated from the most significant bit of the result; cleared otherwise							
Z: Set if the result is 0; cleared otherwise							
N: Set if the most significant bit of the result is 1; cleared otherwise							
<table border="1"> <tr> <td>OPERATION</td> </tr> <tr> <td>Ri + m → Ri</td> </tr> </table>	OPERATION	Ri + m → Ri					
OPERATION							
Ri + m → Ri							

DESCRIPTION
Adds an 8-bit data m, to the contents of register Ri (i=0,1,2,3,, 15) and places the result in the Ri.

ADDRESSING MODE & NUMBER OF MACHINE CYCLES						
ADDRESSING MODE		MNEMONIC	OPERAND TYPE	INSTRUCTION CODE		NUMBER OF MACHINE CYCLES
S	D			Byte 1	Byte 2	
REG/IMM	REG	ADD	Ri, m	8ri	mHmL	4



INSTRUCTION SET OVERVIEW

ARITHMETIC OPERATION
ADD

ADD (Add without Carry)

FORMAT	ADD Ri, Rj
--------	------------

CONDITION CODES	<p>C: Set if a carry is generated from the most significant bit of the result; cleared otherwise</p> <p>Z: Set if the result is 0; cleared otherwise</p> <p>N: Set if the most significant bit of the result is 1; cleared otherwise</p>
-----------------	--

OPERATION	$R_i + R_j \rightarrow R_i$
-----------	-----------------------------

DESCRIPTION	Adds the contents of register Rj to the contents of register Ri, and places the result in the Ri.
-------------	---

ADDRESSING MODE & NUMBER OF MACHINE CYCLES						
ADDRESSING MODE		MNEMONIC	OPERAND TYPE	INSTRUCTION CODE		NUMBER OF MACHINE CYCLES
S	D			Byte 1	Byte 2	
REG		ADD	Ri, Rj	00	rjri	4



INSTRUCTION SET OVERVIEW

ARITHMETIC OPERATION
ADD

ADD (Add without Carry)

<table border="1"> <tr> <td>FORMAT</td> </tr> <tr> <td>ADD Ri, (Rj)</td> </tr> </table>	FORMAT	ADD Ri, (Rj)	<table border="1"> <tr> <td>CONDITION CODES</td> </tr> <tr> <td>C: Set if a carry is generated from the most significant bit of the result; cleared otherwise</td> </tr> <tr> <td>Z: Set if the result is 0; cleared otherwise</td> </tr> <tr> <td>N: Set if the most significant bit of the result is 1; cleared otherwise</td> </tr> </table>	CONDITION CODES	C: Set if a carry is generated from the most significant bit of the result; cleared otherwise	Z: Set if the result is 0; cleared otherwise	N: Set if the most significant bit of the result is 1; cleared otherwise
FORMAT							
ADD Ri, (Rj)							
CONDITION CODES							
C: Set if a carry is generated from the most significant bit of the result; cleared otherwise							
Z: Set if the result is 0; cleared otherwise							
N: Set if the most significant bit of the result is 1; cleared otherwise							
<table border="1"> <tr> <td>OPERATION</td> </tr> <tr> <td>$R_i + (R_j)_M \rightarrow R_i$</td> </tr> </table>	OPERATION	$R_i + (R_j)_M \rightarrow R_i$					
OPERATION							
$R_i + (R_j)_M \rightarrow R_i$							

DESCRIPTION
<p>Adds the data in the memory addressed by the contents of register Rj, to the contents of register Ri, and place the result in the Ri.</p> <p>When the Rj is an odd-numbered register (j=1,3,5,...,15), the memory address is contained in the register pair RjRj-1.</p> <p>While, when the Rj is an even-numbered register, the lower byte of memory address is contained in the Rj(j=0,2,.....,14) and the upper byte becomes 0.</p>

ADDRESSING MODE & NUMBER OF MACHINE CYCLES						
ADDRESSING MODE		MNEMONIC	OPERAND TYPE	INSTRUCTION CODE		NUMBER OF MACHINE CYCLES
S	D			Byte 1	Byte 2	
REG/REGI	REG	ADD	Ri, (Rj)	20	rjri	4



INSTRUCTION SET OVERVIEW

ARITHMETIC OPERATION
ADDD

ADDD (Add Double)

<p style="text-align: center; border: 1px solid black; margin: 0;">FORMAT</p> <p style="margin-top: 10px;">ADDD Ri, Rj (i=1,3,5,.....,15)</p>	<p style="text-align: center; border: 1px solid black; margin: 0;">CONDITION CODES</p> <p style="margin-top: 10px;">C: Not affected</p> <p style="margin-top: 10px;">Z: Set if the result is 0; cleared other wise</p> <p style="margin-top: 10px;">N: Not affected</p>
<p style="text-align: center; border: 1px solid black; margin: 0;">OPERATION</p> <p style="margin-top: 10px;">Ri-1 + Rj → Ri-1 Ri + Carry* → Ri</p> <p style="margin-top: 10px;">*:Carry from the result of lower byte addition. C flag of CCR will not change.</p>	

DESCRIPTION

Adds the contents of register Rj to the contents of register pair RiRi-1 (i=1,3,5,....., 15), and places the result in the register pair RiRi-1.

ADDRESSING MODE & NUMBER OF MACHINE CYCLES						
ADDRESSING MODE		MNEMONIC	OPERAND TYPE	INSTRUCTION CODE		NUMBER OF MACHINE CYCLES
S	D			Byte 1	Byte 2	
REG		ADDD	Ri, Rj	10	rjri	4



INSTRUCTION SET OVERVIEW

ARITHMETIC OPERATION
ADDD

ADDD (Add Double)

FORMAT

ADDD Ri, (Rj) (i=1,3,5,....., 15)

CONDITION CODES

C: Not affected

Z: Set if the results 0;
cleared otherwise

N: Not affected

OPERATION

$R_{i-1} + (R_j)_M \rightarrow R_{i-1}$
 $R_i + \text{Carry}^* \rightarrow R_i$

*:Carry from the result of lower byte addition.
 C flag of CCR will not change.

DESCRIPTION

Adds the data in the memory addressed by the contents of register Rj, to the contents of register pair RiRi-1(i=1,3,5,, 15), and places the result in the register pair RiRi-1(i=1,3,5,, 15).

When the Rj is an odd-numbered register (j=1,3,5,.....,15), the memory address is specified by contents of register pair RjRj-1.

While, when the Rj is an even-numbered register, the lower byte of memory address is specified by the contents of Rj (j=0,2,.....,14) and the upper byte becomes 0.

ADDRESSING MODE & NUMBER OF MACHINE CYCLES						
ADDRESSING MODE		MNEMONIC	OPERAND TYPE	INSTRUCTION CODE		NUMBER OF MACHINE CYCLES
S	D			Byte 1	Byte 2	
REG/REGI	REG	ADDD	Ri, (Rj)	30	rjri	4



INSTRUCTION SET OVERVIEW

LOGICAL OPERATION
AND

AND (Logical AND)

<table border="1" style="width: 100%; border-collapse: collapse;"> <tr> <td style="text-align: center; padding: 2px;">FORMAT</td> </tr> <tr> <td style="padding: 5px;">AND Ri, m</td> </tr> </table>	FORMAT	AND Ri, m	<table border="1" style="width: 100%; border-collapse: collapse;"> <tr> <td style="text-align: center; padding: 2px;">CONDITION CODES</td> </tr> <tr> <td style="padding: 5px;"> <p>C: Not affected</p> <p>Z: Set if the result is 0; cleared otherwise</p> <p>N: Set if the most significant bit of the result is 1; cleared otherwise</p> </td> </tr> </table>	CONDITION CODES	<p>C: Not affected</p> <p>Z: Set if the result is 0; cleared otherwise</p> <p>N: Set if the most significant bit of the result is 1; cleared otherwise</p>
FORMAT					
AND Ri, m					
CONDITION CODES					
<p>C: Not affected</p> <p>Z: Set if the result is 0; cleared otherwise</p> <p>N: Set if the most significant bit of the result is 1; cleared otherwise</p>					
<table border="1" style="width: 100%; border-collapse: collapse;"> <tr> <td style="text-align: center; padding: 2px;">OPERATION</td> </tr> <tr> <td style="padding: 5px;">$Ri \wedge m \rightarrow Ri$</td> </tr> </table>	OPERATION	$Ri \wedge m \rightarrow Ri$			
OPERATION					
$Ri \wedge m \rightarrow Ri$					

DESCRIPTION
<p>Performs logical AND operation between the contents of register Ri and an 8-bit data m, and places the result in the Ri.</p>

ADDRESSING MODE & NUMBER OF MACHINE CYCLES						
ADDRESSING MODE		MNEMONIC	OPERAND TYPE	INSTRUCTION CODE		NUMBER OF MACHINE CYCLES
S	D			Byte 1	Byte 2	
REG/IMM	REG	AND	Ri, m	Eri	mHmL	4



INSTRUCTION SET OVERVIEW

LOGICAL OPERATION
AND

AND (Logical AND)

FORMAT

AND Ri, Rj

CONDITION CODES

C: Not affected

Z: Set if the result is 0;
cleared otherwise

N: Set if the most significant
bit of the result is 1;
cleared otherwise

OPERATION

$R_i \wedge R_j \rightarrow R_i$

DESCRIPTION

Performs logical AND operation between the contents of registers Ri and Rj, and places the result in the Ri.

ADDRESSING MODE & NUMBER OF MACHINE CYCLES						
ADDRESSING MODE		MNEMONIC	OPERAND TYPE	INSTRUCTION CODE		NUMBER OF MACHINE CYCLES
S	D			Byte 1	Byte 2	
REG		AND	Ri,Rj	06	rjri	4



INSTRUCTION SET OVERVIEW

LOGICAL OPERATION
AND

AND (Logical AND)

<table border="1" style="width: 100%;"> <tr> <td style="text-align: center; padding: 2px;">FORMAT</td> </tr> <tr> <td style="padding: 5px;">AND Ri, (Rj)</td> </tr> </table>	FORMAT	AND Ri, (Rj)	<table border="1" style="width: 100%;"> <tr> <td style="text-align: center; padding: 2px;">CONDITION CODES</td> </tr> <tr> <td style="padding: 5px;"> <p>C: Not affected.</p> <p>Z: Set if the result is 0; cleared otherwise</p> <p>N: Set if the most significant bit of the result is 1; cleared otherwise</p> </td> </tr> </table>	CONDITION CODES	<p>C: Not affected.</p> <p>Z: Set if the result is 0; cleared otherwise</p> <p>N: Set if the most significant bit of the result is 1; cleared otherwise</p>
FORMAT					
AND Ri, (Rj)					
CONDITION CODES					
<p>C: Not affected.</p> <p>Z: Set if the result is 0; cleared otherwise</p> <p>N: Set if the most significant bit of the result is 1; cleared otherwise</p>					
<table border="1" style="width: 100%;"> <tr> <td style="text-align: center; padding: 2px;">OPERATION</td> </tr> <tr> <td style="padding: 5px;">$R_i \wedge (R_j)_M \rightarrow R_i$</td> </tr> </table>	OPERATION	$R_i \wedge (R_j)_M \rightarrow R_i$			
OPERATION					
$R_i \wedge (R_j)_M \rightarrow R_i$					

DESCRIPTION
<p>Performs logical AND operation between the contents of register Ri and the data in the memory addressed by the contents of register Rj.</p> <p>When the Rj is an odd-numbered register (j=1,3,5,...,15), the memory address is specified by contents of register pair RjRj-1.</p> <p>While, when the Rj is an even-numbered register, the lower byte of memory address is specified by the contents of Rj (j=0,2,...,14) and the upper byte becomes 0.</p>

ADDRESSING MODE & NUMBER OF MACHINE CYCLES						
ADDRESSING MODE		MNEMONIC	OPERAND TYPE	INSTRUCTION CODE		NUMBER OF MACHINE CYCLES
S	D			Byte 1	Byte 2	
REG/REGI	REG	AND	Ri, (Rj)	26	rjri	4



INSTRUCTION SET OVERVIEW

PROGRAM CONTROL
CALL

CALL (Call Subroutine)

<table border="1"> <tr> <td>FORMAT</td> </tr> <tr> <td>CALL g</td> </tr> </table>	FORMAT	CALL g	<table border="1"> <tr> <td>CONDITION CODES</td> </tr> <tr> <td>C: Not affected</td> </tr> <tr> <td>Z: Not affected</td> </tr> <tr> <td>N: Not affected</td> </tr> </table>	CONDITION CODES	C: Not affected	Z: Not affected	N: Not affected
FORMAT							
CALL g							
CONDITION CODES							
C: Not affected							
Z: Not affected							
N: Not affected							
<table border="1"> <tr> <td>OPERATION</td> </tr> <tr> <td>PCL → (SP)_M</td> </tr> <tr> <td>PCH → (SP - 1)_M</td> </tr> <tr> <td>SP - 2 → SP</td> </tr> <tr> <td>PC + g → PC</td> </tr> </table>	OPERATION	PCL → (SP) _M	PCH → (SP - 1) _M	SP - 2 → SP	PC + g → PC		
OPERATION							
PCL → (SP) _M							
PCH → (SP - 1) _M							
SP - 2 → SP							
PC + g → PC							

DESCRIPTION
<p>The contents of the PC is pushed onto the stack in order of lower 8-bit and upper 8-bit.</p> <p>The program counter PC that shows the address of instruction followed by CALL is added with displacement g.</p> <p>Then a branch occurs to the address specified by the PC.</p>

ADDRESSING MODE & NUMBER OF MACHINE CYCLES						
ADDRESSING MODE		MNEMONIC	OPERAND TYPE	INSTRUCTION CODE		NUMBER OF MACHINE CYCLES
S	D			Byte 1	Byte 2	
REL		CALL	g	4E	gHgL	5



INSTRUCTION SET OVERVIEW

PROGRAM CONTROL

CALL

CALL (Call Subroutine)

FORMAT

CALL (R_i) (i=1,3,5,....., 15)

CONDITION CODES

C: Not affected
Z: Not affected
N: Not affected

OPERATION

PCL → (SP)_M
PCH → (SP - 1)_M
SP - 2 → SP
R_iR_{i-1} → PC

DESCRIPTION

The contents of program counter PC, which shows the address of instruction followed by CALL, is pushed onto the stack in order of lower 8-bit and upper 8-bit. A branch occurs to the address specified by the contents of register pair R_iR_{i-1} (i=1,3,5,....., 15).

ADDRESSING MODE & NUMBER OF MACHINE CYCLES

ADDRESSING MODE		MNEMONIC	OPERAND TYPE	INSTRUCTION CODE		NUMBER OF MACHINE CYCLES
S	D			Byte 1	Byte 2	
REGI		CALL	(R _i)	5E	riE	5



INSTRUCTION SET OVERVIEW

ARITHMETIC OPERATION
CMP

CMP (Compare)

<table border="1"> <tr> <td>FORMAT</td> </tr> <tr> <td>CMP Ri, m</td> </tr> </table>	FORMAT	CMP Ri, m	<table border="1"> <tr> <td>CONDITION CODES</td> </tr> <tr> <td>C: Set if a borrow is generated from the result; cleared otherwise</td> </tr> <tr> <td>Z: Set if the result is 0; cleared otherwise</td> </tr> <tr> <td>N: Set if the most significant bit of the result is 1; cleared otherwise</td> </tr> </table>	CONDITION CODES	C: Set if a borrow is generated from the result; cleared otherwise	Z: Set if the result is 0; cleared otherwise	N: Set if the most significant bit of the result is 1; cleared otherwise
FORMAT							
CMP Ri, m							
CONDITION CODES							
C: Set if a borrow is generated from the result; cleared otherwise							
Z: Set if the result is 0; cleared otherwise							
N: Set if the most significant bit of the result is 1; cleared otherwise							
<table border="1"> <tr> <td>OPERATION</td> </tr> <tr> <td>Ri - m</td> </tr> </table>	OPERATION	Ri - m					
OPERATION							
Ri - m							

DESCRIPTION
Compares the contents of register Ri and an 8-bit data m.

ADDRESSING MODE & NUMBER OF MACHINE CYCLES						
ADDRESSING MODE		MNEMONIC	OPERAND TYPE	INSTRUCTION CODE		NUMBER OF MACHINE CYCLES
S	D			Byte 1	Byte 2	
REG/IMM	-	CMP	Ri, m	Ari	mHmL	4



INSTRUCTION SET OVERVIEW

ARITHMETIC OPERATION

CMP

CMP (Compare)

FORMAT

CMP Ri, Rj

CONDITION CODES

C: Set if a borrow is generated from the result; cleared otherwise

Z: Set if the result is 0; cleared otherwise

N: Set if the most significant bit of the result is 1; cleared otherwise

OPERATION

Ri - Rj

DESCRIPTION

Compares the contents of registers Ri and Rj.

ADDRESSING MODE & NUMBER OF MACHINE CYCLES

ADDRESSING MODE		MNEMONIC	OPERAND TYPE	INSTRUCTION CODE		NUMBER OF MACHINE CYCLES
S	D			Byte 1	Byte 2	
REG	-	CMP	Ri, Rj	13	rjri	4



INSTRUCTION SET OVERVIEW

ARITHMETIC OPERATION						
CMP						
CMP (Compare)						
FORMAT			CONDITION CODES			
CMP Ri, (Rj)			<p>C: Set if a borrow is generated from the result; cleared otherwise</p> <p>Z: Set if the result is 0; cleared otherwise</p> <p>N: Set if the most significant bit of the result is 1; cleared otherwise</p>			
OPERATION						
Ri - (Rj) _M						
DESCRIPTION						
<p>Compares the contents of register Ri and the data in the memory addressed by the contents of register Rj.</p> <p>When the Rj is an odd-numbered register (j=1,3,5,...,15), the memory address is specified by contents of register pair RjRj-1.</p> <p>While, when the Rj is an even-numbered register, the lower byte of memory address is specified by the contents of Rj (j=0,2,...,14) and the upper byte becomes 0.</p>						
ADDRESSING MODE & NUMBER OF MACHINE CYCLES						
ADDRESSING MODE		MNEMONIC	OPERAND TYPE	INSTRUCTION CODE		NUMBER OF MACHINE CYCLES
S	D			Byte 1	Byte 2	
REG/REGI	-	CMP	Ri, (Rj)	33	rjri	4



INSTRUCTION SET OVERVIEW

TRANSFER
CTR

CTR (Condition Code to Register)

<table border="1" style="width: 100%;"> <tr><td style="text-align: center; padding: 2px;">FORMAT</td></tr> <tr><td style="padding: 5px;">CTR Ri</td></tr> </table> <table border="1" style="width: 100%;"> <tr><td style="text-align: center; padding: 2px;">OPERATION</td></tr> <tr><td style="padding: 5px;">CCR → Ri</td></tr> </table>	FORMAT	CTR Ri	OPERATION	CCR → Ri	<table border="1" style="width: 100%;"> <tr><td style="text-align: center; padding: 2px;">CONDITION CODES</td></tr> <tr><td style="padding: 5px;">C: Not affected</td></tr> <tr><td style="padding: 5px;">Z: Not affected</td></tr> <tr><td style="padding: 5px;">N: Not affected</td></tr> </table>	CONDITION CODES	C: Not affected	Z: Not affected	N: Not affected
FORMAT									
CTR Ri									
OPERATION									
CCR → Ri									
CONDITION CODES									
C: Not affected									
Z: Not affected									
N: Not affected									

DESCRIPTION
<p>Transfer the contents of condition code register to the register Ri. The upper 5 bits (bit 3 to bit 7) are cleared.</p> <p>C → Ri bit 0 Z → Ri bit 1 N → Ri bit 2 "0" → Ri bit 3 to 7</p>

ADDRESSING MODE & NUMBER OF MACHINE CYCLES						
ADDRESSING MODE		MNEMONIC	OPERAND TYPE	INSTRUCTION CODE		NUMBER OF MACHINE CYCLES
S	D			Byte 1	Byte 2	
IMP	REG	CTR	Ri	1A	Ori	4



INSTRUCTION SET OVERVIEW

ARITHMETIC OPERATION
DEC

DEC (Decrement)

FORMAT	DEC Ri	CONDITION CODES	<p>C: Not affected</p> <p>Z: Set if the result is 0; cleared otherwise</p> <p>N: Set if the most significant bit of the result is 1; cleared otherwise</p>
OPERATION	Ri - 1 → Ri		

DESCRIPTION	<p>Subtracts one from the contents of register Ri (i=0,1,2,..., 15), and places the result in the Ri.</p>
-------------	---

ADDRESSING MODE & NUMBER OF MACHINE CYCLES						
ADDRESSING MODE		MNEMONIC	OPERAND TYPE	INSTRUCTION CODE		NUMBER OF MACHINE CYCLES
S	D			Byte 1	Byte 2	
REG		DEC	Ri	09	Ori	4



INSTRUCTION SET OVERVIEW

LOGICAL OPERATION
EOR

EOR (Exclusive OR)

<table border="1" style="width: 100%; border-collapse: collapse;"> <tr> <td style="text-align: center; padding: 2px;">FORMAT</td> </tr> <tr> <td style="padding: 5px;">EOR Ri, m</td> </tr> </table> <table border="1" style="width: 100%; border-collapse: collapse;"> <tr> <td style="text-align: center; padding: 2px;">OPERATION</td> </tr> <tr> <td style="padding: 5px;">Ri ⊕ m → Ri</td> </tr> </table>	FORMAT	EOR Ri, m	OPERATION	Ri ⊕ m → Ri	<table border="1" style="width: 100%; border-collapse: collapse;"> <tr> <td style="text-align: center; padding: 2px;">CONDITION CODES</td> </tr> <tr> <td style="padding: 5px;"> C: Not affected Z: Set if the result is 0; cleared otherwise N: Set if the most significant bit of the result is 1; cleared otherwise </td> </tr> </table>	CONDITION CODES	C: Not affected Z: Set if the result is 0; cleared otherwise N: Set if the most significant bit of the result is 1; cleared otherwise
FORMAT							
EOR Ri, m							
OPERATION							
Ri ⊕ m → Ri							
CONDITION CODES							
C: Not affected Z: Set if the result is 0; cleared otherwise N: Set if the most significant bit of the result is 1; cleared otherwise							

DESCRIPTION
Performs the logical EXCLUSIVE OR operation between the contents of register Ri and an 8-bit data m, and places the result in the Ri.

ADDRESSING MODE & NUMBER OF MACHINE CYCLES						
ADDRESSING MODE		MNEMONIC	OPERAND TYPE	INSTRUCTION CODE		NUMBER OF MACHINE CYCLES
S	D			Byte 1	Byte 2	
REG/IMM	REG	EOR	Ri,m	Dri	mHmL	4



INSTRUCTION SET OVERVIEW

LOGICAL OPERATION
EOR

EOR (Exclusive OR)

FORMAT
EOR Ri, Rj

CONDITION CODES
C: Not affected
Z: Set if the result is 0;
cleared otherwise
N: Set if the most significant
bit of the result is 1;
cleared otherwise

OPERATION
 $R_i \oplus R_j \rightarrow R_i$

DESCRIPTION
Performs the logical EXCLUSIVE OR operation between the contents of registers Ri, and the Rj, and places the result in the Ri.

ADDRESSING MODE & NUMBER OF MACHINE CYCLES						
ADDRESSING MODE		MNEMONIC	OPERAND TYPE	INSTRUCTION CODE		NUMBER OF MACHINE CYCLES
S	D			Byte 1	Byte 2	
REG		EOR	Ri, Rj	05	rjri	4



INSTRUCTION SET OVERVIEW

LOGICAL OPERATION
EOR

EOR (Exclusive OR)

<table border="1" style="width: 100%; border-collapse: collapse;"> <tr> <td style="text-align: center; padding: 2px;">FORMAT</td> </tr> <tr> <td style="padding: 5px;">EOR Ri, (Rj)</td> </tr> </table> <table border="1" style="width: 100%; border-collapse: collapse;"> <tr> <td style="text-align: center; padding: 2px;">OPERATION</td> </tr> <tr> <td style="padding: 5px;">$R_i \oplus (R_j)_M \rightarrow R_i$</td> </tr> </table>	FORMAT	EOR Ri, (Rj)	OPERATION	$R_i \oplus (R_j)_M \rightarrow R_i$	<table border="1" style="width: 100%; border-collapse: collapse;"> <tr> <td style="text-align: center; padding: 2px;">CONDITION CODES</td> </tr> <tr> <td style="padding: 5px;"> <p>C: Not affected.</p> <p>Z: Set if the result is 0; cleared otherwise</p> <p>N: Set if the most significant bit of the result is 1; cleared otherwise</p> </td> </tr> </table>	CONDITION CODES	<p>C: Not affected.</p> <p>Z: Set if the result is 0; cleared otherwise</p> <p>N: Set if the most significant bit of the result is 1; cleared otherwise</p>
FORMAT							
EOR Ri, (Rj)							
OPERATION							
$R_i \oplus (R_j)_M \rightarrow R_i$							
CONDITION CODES							
<p>C: Not affected.</p> <p>Z: Set if the result is 0; cleared otherwise</p> <p>N: Set if the most significant bit of the result is 1; cleared otherwise</p>							

DESCRIPTION
<p>Performs the logical EXCLUSIVE OR operation between the contents of register Ri and the data in the memory addressed by the contents of register Rj. The result is placed in the Ri.</p> <p>When the Rj is an odd-numbered register (j=1,3,5,...,15), the memory address is specified by the contents of register pair RjRj-1.</p> <p>While, when the Rj is an even-numbered register, the lower byte of memory address is specified by the contents of Rj (j=0,2,...,14) and the upper byte becomes 0.</p>

ADDRESSING MODE & NUMBER OF MACHINE CYCLES						
ADDRESSING MODE		MNEMONIC	OPERAND TYPE	INSTRUCTION CODE		NUMBER OF MACHINE CYCLES
S	D			Byte 1	Byte 2	
REG/REGI	REG	EOR	Ri, (Rj)	25	rjri	4



INSTRUCTION SET OVERVIEW

ARITHMETIC OPERATION
INC

INC (Increment)

FORMAT

INC Ri

CONDITION CODES

C: Not affected.

Z: Set if the result is 0;
cleared otherwise

N: Set if the most significant
bit of the result is 1;
cleared otherwise

OPERATION

$R_i + 1 \rightarrow R_i$

DESCRIPTION

Adds one to the contents of register Ri, and places the result in the Ri.

ADDRESSING MODE & NUMBER OF MACHINE CYCLES						
ADDRESSING MODE		MNEMONIC	OPERAND TYPE	INSTRUCTION CODE		NUMBER OF MACHINE CYCLES
S	D			Byte 1	Byte 2	
REG		INC	Ri	0B	Ori	4



INSTRUCTION SET OVERVIEW

PROGRAM CONTROL
JP

JP (Jump)

<table border="1" style="width: 100%;"> <tr> <th style="text-align: left; padding: 2px;">FORMAT</th> </tr> <tr> <td style="padding: 5px;"> JP (Ri) (i=1,3,5,....., 15) </td> </tr> </table>	FORMAT	JP (Ri) (i=1,3,5,....., 15)	<table border="1" style="width: 100%;"> <tr> <th style="text-align: left; padding: 2px;">CONDITION CODES</th> </tr> <tr> <td style="padding: 5px;"> C: Not affected Z: Not affected N: Not affected </td> </tr> </table>	CONDITION CODES	C: Not affected Z: Not affected N: Not affected
FORMAT					
JP (Ri) (i=1,3,5,....., 15)					
CONDITION CODES					
C: Not affected Z: Not affected N: Not affected					
<table border="1" style="width: 100%;"> <tr> <th style="text-align: left; padding: 2px;">OPERATION</th> </tr> <tr> <td style="padding: 5px;"> RiRi-1 → PC </td> </tr> </table>	OPERATION	RiRi-1 → PC			
OPERATION					
RiRi-1 → PC					

DESCRIPTION
<p>Stores the contents of register pair RiRi-1 (i=1,3,5,....., 15) to the program counter PC.</p> <p>A branch occurs to the address specified by the contents of register pair RiRi-1.</p>

ADDRESSING MODE & NUMBER OF MACHINE CYCLES						
ADDRESSING MODE		MNEMONIC	OPERAND TYPE	INSTRUCTION CODE		NUMBER OF MACHINE CYCLES
S	D			Byte 1	Byte 2	
REGI		JP	(Ri)	50	ri0	4



INSTRUCTION SET OVERVIEW

PROGRAM CONTROL
JP

JP (Jump on Condition)

FORMAT

JP f, (Ri)
(i=1,3,5,····, 15)

CONDITION CODES

C: Not affected
Z: Not affected
N: Not affected

OPERATION

f is true : RiRi-1 → PC
f is false : Continue

DESCRIPTION

Tests the status of condition codes (C,NC,N,P,Z,NZ).
When the condition is true, a branch occurs to the address specified by the contents of register pair RiRi-1 (i=1,3,5,····, 15), otherwise the next sequential instruction is executed.

ADDRESSING MODE & NUMBER OF MACHINE CYCLES						
ADDRESSING MODE		MNEMONIC	OPERAND TYPE	INSTRUCTION CODE		NUMBER OF MACHINE CYCLES
S	D			Byte 1	Byte 2	
REGI		JP	P, (Ri)	52	ri0	4
		JP	N, (Ri)	53	ri0	4
		JP	NZ, (Ri)	54	ri0	4
		JP	Z, (Ri)	55	ri0	4
		JP	NC, (Ri)	56	ri0	4
		JP	C, (Ri)	57	ri0	4



INSTRUCTION SET OVERVIEW

PROGRAM CONTROL
JR

JR (Jump Relative)

FORMAT	JR g	CONDITION CODES	C: Not affected Z: Not affected N: Not affected
OPERATION	PC + g → PC		

DESCRIPTION
 The program counter PC, which shows the address of instruction followed by JR, is added with displacement g. Then, a branch occurs to the address specified by the PC.

ADDRESSING MODE & NUMBER OF MACHINE CYCLES						
ADDRESSING MODE		MNEMONIC	OPERAND TYPE	INSTRUCTION CODE		NUMBER OF MACHINE CYCLES
S	D			Byte 1	Byte 2	
REL		JR	g	40	gHgL	4



INSTRUCTION SET OVERVIEW

PROGRAM CONTROL
JR

JR (Jump Relative on Condition)

FORMAT
JR f, g

CONDITION CODES
C: Not affected
Z: Not affected
N: Not affected

OPERATION
f is true : PC + g → PC
f is false : Continue

DESCRIPTION
<p>Tests the status of condition codes (C, NC, N, P, Z, NZ).</p> <p>If the condition is true, the program counter, which shows the address of instruction followed by JR, is added with displacement g, and then branches to the address specified by the PC.</p> <p>If the condition is false, the next sequential instruction is executed.</p>

ADDRESSING MODE & NUMBER OF MACHINE CYCLES						
ADDRESSING MODE		MNEMONIC	OPERAND TYPE	INSTRUCTION CODE		NUMBER OF MACHINE CYCLES
S	D			Byte 1	Byte 2	
REL		JR	P, g	42	gHgL	4
		JR	N, g	43	gHgL	4
		JR	NZ, g	44	gHgL	4
		JR	Z, g	45	gHgL	4
		JR	NC, g	46	gHgL	4
		JR	C, g	47	gHgL	4



INSTRUCTION SET OVERVIEW

TRANSFER
LD

LD (Load)

<table border="1" style="width: 100%; border-collapse: collapse;"> <tr> <td style="text-align: center; border: 1px solid black; padding: 2px;">FORMAT</td> <td style="padding: 5px;">LD Ri, m</td> </tr> </table> <table border="1" style="width: 100%; border-collapse: collapse;"> <tr> <td style="text-align: center; border: 1px solid black; padding: 2px;">OPERATION</td> <td style="padding: 5px;">m → Ri</td> </tr> </table>	FORMAT	LD Ri, m	OPERATION	m → Ri	<table border="1" style="width: 100%; border-collapse: collapse;"> <tr> <td style="text-align: center; border: 1px solid black; padding: 2px;">CONDITION CODES</td> <td style="padding: 5px;"> <p>C: Not affected</p> <p>Z: Set if the result is 0; cleared otherwise</p> <p>N: Set if the most significant bit of the result is 1; cleared otherwise</p> </td> </tr> </table>	CONDITION CODES	<p>C: Not affected</p> <p>Z: Set if the result is 0; cleared otherwise</p> <p>N: Set if the most significant bit of the result is 1; cleared otherwise</p>
FORMAT	LD Ri, m						
OPERATION	m → Ri						
CONDITION CODES	<p>C: Not affected</p> <p>Z: Set if the result is 0; cleared otherwise</p> <p>N: Set if the most significant bit of the result is 1; cleared otherwise</p>						

DESCRIPTION
<p>Loads an 8-bit data m into the register Ri.</p>

ADDRESSING MODE & NUMBER OF MACHINE CYCLES						
ADDRESSING MODE		MNEMONIC	OPERAND TYPE	INSTRUCTION CODE		NUMBER OF MACHINE CYCLES
S	D			Byte 1	Byte 2	
IMM	REG	LD	Ri, m	Fri	mHmL	4



INSTRUCTION SET OVERVIEW

TRANSFER
LD

LD (Load)

<table border="1" style="width: 100%;"> <tr> <td style="text-align: center;">FORMAT</td> </tr> <tr> <td>LD Ri, (Rj)</td> </tr> </table> <table border="1" style="width: 100%;"> <tr> <td style="text-align: center;">OPERATION</td> </tr> <tr> <td>$(Rj)_M \rightarrow Ri$</td> </tr> </table>	FORMAT	LD Ri, (Rj)	OPERATION	$(Rj)_M \rightarrow Ri$	<table border="1" style="width: 100%;"> <tr> <td style="text-align: center;">CONDITION CODES</td> </tr> <tr> <td>C: Not affected</td> </tr> <tr> <td>Z: Set if the result is 0; cleared otherwise</td> </tr> <tr> <td>N: Set if the most significant bit of the result is 1; cleared otherwise</td> </tr> </table>	CONDITION CODES	C: Not affected	Z: Set if the result is 0; cleared otherwise	N: Set if the most significant bit of the result is 1; cleared otherwise
FORMAT									
LD Ri, (Rj)									
OPERATION									
$(Rj)_M \rightarrow Ri$									
CONDITION CODES									
C: Not affected									
Z: Set if the result is 0; cleared otherwise									
N: Set if the most significant bit of the result is 1; cleared otherwise									

DESCRIPTION
<p>Loads the data in the memory addressed by the contents of register Rj into register Ri.</p> <p>When the Rj is an odd-numbered register (j=1,3,5,...,15), the memory address is specified by contents of register pair RjRj-1.</p> <p>While, when the Rj is an even-numbered register, the lower byte of memory address is specified by the contents of Rj (j=0,2,...,14) and the upper byte becomes 0.</p>

ADDRESSING MODE & NUMBER OF MACHINE CYCLES						
ADDRESSING MODE		MNEMONIC	OPERAND TYPE	INSTRUCTION CODE		NUMBER OF MACHINE CYCLES
S	D			Byte 1	Byte 2	
REGI	REG	LD	Ri, (Rj)	28	rjri	4



INSTRUCTION SET OVERVIEW

TRANSFER
MV

MV (Move)

<table border="1" style="width: 100%;"> <tr> <td style="padding: 2px;">FORMAT</td> </tr> <tr> <td style="padding: 5px;">MV Ri, Rj</td> </tr> </table>	FORMAT	MV Ri, Rj	<table border="1" style="width: 100%;"> <tr> <td style="padding: 2px;">CONDITION CODES</td> </tr> <tr> <td style="padding: 5px;"> C: Not affected Z: Set if the result is 0; cleared otherwise N: Set if the most significant bit of the result is 1; cleared otherwise </td> </tr> </table>	CONDITION CODES	C: Not affected Z: Set if the result is 0; cleared otherwise N: Set if the most significant bit of the result is 1; cleared otherwise
FORMAT					
MV Ri, Rj					
CONDITION CODES					
C: Not affected Z: Set if the result is 0; cleared otherwise N: Set if the most significant bit of the result is 1; cleared otherwise					
<table border="1" style="width: 100%;"> <tr> <td style="padding: 2px;">OPERATION</td> </tr> <tr> <td style="padding: 5px;">Rj → Ri</td> </tr> </table>	OPERATION	Rj → Ri			
OPERATION					
Rj → Ri					

<table border="1" style="width: 100%;"> <tr> <td style="padding: 2px;">DESCRIPTION</td> </tr> </table>	DESCRIPTION	<p>Moves the contents of register Rj into the register Ri.</p>
DESCRIPTION		

ADDRESSING MODE & NUMBER OF MACHINE CYCLES						
ADDRESSING MODE		MNEMONIC	OPERAND TYPE	INSTRUCTION CODE		NUMBER OF MACHINE CYCLES
S	D			Byte 1	Byte 2	
REG		MV	Ri, Rj	08	rjri	4



INSTRUCTION SET OVERVIEW

LOGICAL OPERATION
OR

OR (Inclusive OR)

FORMAT

OR Ri, m

CONDITION CODES

C: Not affected

Z: Set if the result is 0;
cleared otherwise

N: Set if the most significant
bit of the result is 1;
cleared otherwise

OPERATION

Ri V m → Ri

DESCRIPTION

Performs logical OR operation between the contents of register Ri and an 8-bit data m, and places the result in the Ri.

ADDRESSING MODE & NUMBER OF MACHINE CYCLES						
ADDRESSING MODE		MNEMONIC	OPERAND TYPE	INSTRUCTION CODE		NUMBER OF MACHINE CYCLES
S	D			Byte 1	Byte 2	
REG/IMM	REG	OR	Ri, m	Cri	mHmL	4



INSTRUCTION SET OVERVIEW

LOGICAL OPERATION
OR

OR (Inclusive OR)

FORMAT	OR Ri, Rj
--------	-----------

CONDITION CODES	<p>C: Not affected</p> <p>Z: Set if the result is 0; cleared otherwise</p> <p>N: Set if the most significant bit of the result is 1; cleared otherwise</p>
-----------------	--

OPERATION	Ri V Rj → Ri
-----------	--------------

DESCRIPTION	<p>Performs logical OR operation between the contents of registers Ri and Rj, and places the result in the Ri.</p>
-------------	--

ADDRESSING MODE & NUMBER OF MACHINE CYCLES						
ADDRESSING MODE		MNEMONIC	OPERAND TYPE	INSTRUCTION CODE		NUMBER OF MACHINE CYCLES
S	D			Byte 1	Byte 2	
REG		OR	Ri, Rj	04	rjri	4



INSTRUCTION SET OVERVIEW

LOGICAL OPERATION
OR

OR (Inclusive OR)

FORMAT

OR Ri, (Rj)

CONDITION CODES

C: Not affected

Z: Set if the result is 0;
cleared otherwise

N: Set if the most significant
bit of the result is 1;
cleared otherwise

OPERATION

$R_i \vee (R_j)_M \rightarrow R_i$

DESCRIPTION

Performs logical OR operation between the contents of register Ri and the data in memory addressed by contents of register Rj. The result is placed in the Ri. When the Rj is an odd-numbered register (j=1,3,5,....., 15), the memory address is specified by contents of register pair RjRj-1. While, when the Rj is an even-numbered register, the lower byte of memory address is specified by the contents of Rj (j=0,2,.....,14) and the upper byte becomes 0.

ADDRESSING MODE & NUMBER OF MACHINE CYCLES						
ADDRESSING MODE		MNEMONIC	OPERAND TYPE	INSTRUCTION CODE		NUMBER OF MACHINE CYCLES
S	D			Byte 1	Byte 2	
REG/REGI	REG	OR	Ri, (Rj)	24	rjri	4



INSTRUCTION SET OVERVIEW

PROGRAM CONTROL
RET

RET (Return)

<table border="1" style="width: 100%; border-collapse: collapse;"> <tr> <td style="text-align: center;">FORMAT</td> </tr> <tr> <td style="padding: 5px;">RET</td> </tr> </table>	FORMAT	RET	<table border="1" style="width: 100%; border-collapse: collapse;"> <tr> <td style="text-align: center;">CONDITION CODES</td> </tr> <tr> <td style="padding: 5px;"> C: Not affected Z: Not affected N: Not affected </td> </tr> </table>	CONDITION CODES	C: Not affected Z: Not affected N: Not affected
FORMAT					
RET					
CONDITION CODES					
C: Not affected Z: Not affected N: Not affected					
<table border="1" style="width: 100%; border-collapse: collapse;"> <tr> <td style="text-align: center;">OPERATION</td> </tr> <tr> <td style="padding: 5px;"> $(SP + 1)_M \rightarrow PCH$ $(SP + 2)_M \rightarrow PCL$ $SP + 2 \rightarrow SP$ </td> </tr> </table>	OPERATION	$(SP + 1)_M \rightarrow PCH$ $(SP + 2)_M \rightarrow PCL$ $SP + 2 \rightarrow SP$			
OPERATION					
$(SP + 1)_M \rightarrow PCH$ $(SP + 2)_M \rightarrow PCL$ $SP + 2 \rightarrow SP$					

DESCRIPTION
Returns the PC from stack and causes a branch to the address specified by the PC.

ADDRESSING MODE & NUMBER OF MACHINE CYCLES						
ADDRESSING MODE		MNEMONIC	OPERAND TYPE	INSTRUCTION CODE		NUMBER OF MACHINE CYCLES
S	D			Byte 1	Byte 2	
IMP		RET		7E	0E	5



INSTRUCTION SET OVERVIEW

SHIFT OPERATION
ROL

ROL (Rotate Left)

FORMAT

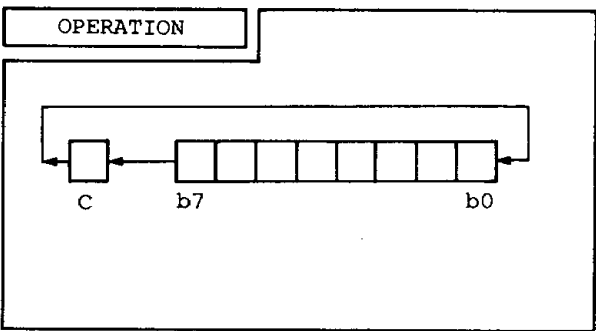
ROL Ri

CONDITION CODES

C: Set if the most significant bit of the register Ri is 1 before executing the instruction; cleared otherwise

Z: Set if the result is 0; cleared otherwise

N: Set if the most significant bit of the result is 1; cleared otherwise



DESCRIPTION

Rotates left the contents of register Ri by one bit.
Bit 7 is transferred to the carry bit C, and C is transferred to bit 0.

ADDRESSING MODE & NUMBER OF MACHINE CYCLES						
ADDRESSING MODE		MNEMONIC	OPERAND TYPE	INSTRUCTION CODE		NUMBER OF MACHINE CYCLES
S	D			Byte 1	Byte 2	
REG		ROL	Ri	1F	Ori	4



INSTRUCTION SET OVERVIEW

SHIFT OPERATION
ROR

ROR (Rotate Right)

FORMAT

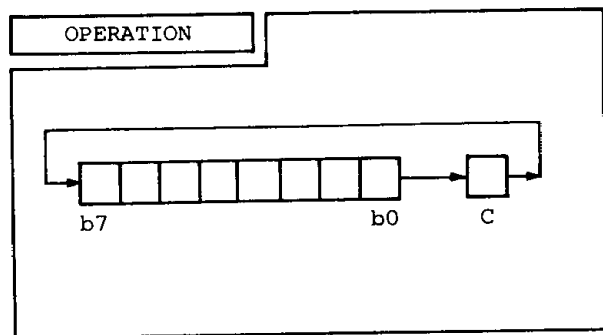
ROR Ri

CONDITION CODES

C: Set if the bit 0 of register Ri is 1 before executing the instruction; cleared otherwise

Z: Set if the result is 0; cleared otherwise

N: Set if the most significant bit of the result is 1; cleared otherwise



DESCRIPTION

Rotates right the contents of register Ri by one bit.
Bit 0 is transferred to the carry bit C, and C is transferred to bit 7.

ADDRESSING MODE & NUMBER OF MACHINE CYCLES						
ADDRESSING MODE		MNEMONIC	OPERAND TYPE	INSTRUCTION CODE		NUMBER OF MACHINE CYCLES
S	D			Byte 1	Byte 2	
REG		ROR	Ri	1C	Ori	4



INSTRUCTION SET OVERVIEW

TRANSFER
RTC

RTC (Register to Condition Code)

FORMAT	<p>RTC Ri</p>
--------	---------------

CONDITION CODES	<p>C: Bit 0 of register Ri</p> <p>Z: Bit 1 of register Ri</p> <p>N: Bit 2 of register Ri</p>
-----------------	--

OPERATION	<p>Ri → CCR</p>
-----------	-----------------

DESCRIPTION	<p>Transfers the contents of register Ri to the condition code register.</p> <p>Ri bit 0 → C</p> <p>bit 1 → Z</p> <p>bit 2 → N</p>
-------------	--

ADDRESSING MODE & NUMBER OF MACHINE CYCLES						
ADDRESSING MODE		MNEMONIC	OPERAND TYPE	INSTRUCTION CODE		NUMBER OF MACHINE CYCLES
S	D			Byte 1	Byte 2	
REG	IMP	RTC	Ri	1B	Ori	4



INSTRUCTION SET OVERVIEW

ARITHMETIC OPERATION
SBC

SBC (Subtract with Carry)

FORMAT
SBC Ri, m

CONDITION CODES
<p>C: Set if a borrow is generated from the result; cleared otherwise</p> <p>Z: Set if the result is 0; cleared otherwise</p> <p>N: Set if the most significant bit of the result is 1; cleared otherwise</p>

OPERATION
Ri - m - C → Ri

DESCRIPTION
Subtracts an 8-bit data m and carry bit C from the contents of register Ri, and places the result in the Ri.

ADDRESSING MODE & NUMBER OF MACHINE CYCLES						
ADDRESSING MODE		MNEMONIC	OPERAND TYPE	INSTRUCTION CODE		NUMBER OF MACHINE CYCLES
S	D			Byte 1	Byte 2	
REG/IMM	REG	SBC	Ri, m	Bri	mHmL	4



INSTRUCTION SET OVERVIEW

ARITHMETIC OPERATION
SBC

SBC (Subtract with Carry)

<table border="1"> <tr> <td>FORMAT</td> </tr> <tr> <td>SBC Ri, Rj</td> </tr> </table> <table border="1"> <tr> <td>OPERATION</td> </tr> <tr> <td>$R_i - R_j - C \rightarrow R_i$</td> </tr> </table>	FORMAT	SBC Ri, Rj	OPERATION	$R_i - R_j - C \rightarrow R_i$	<table border="1"> <tr> <td>CONDITION CODES</td> </tr> <tr> <td>C: Set if a borrow is generated from the result; cleared otherwise</td> </tr> <tr> <td>Z: Set if the result is 0; cleared otherwise</td> </tr> <tr> <td>N: Set if the most significant bit of the result is 1; cleared otherwise</td> </tr> </table>	CONDITION CODES	C: Set if a borrow is generated from the result; cleared otherwise	Z: Set if the result is 0; cleared otherwise	N: Set if the most significant bit of the result is 1; cleared otherwise
FORMAT									
SBC Ri, Rj									
OPERATION									
$R_i - R_j - C \rightarrow R_i$									
CONDITION CODES									
C: Set if a borrow is generated from the result; cleared otherwise									
Z: Set if the result is 0; cleared otherwise									
N: Set if the most significant bit of the result is 1; cleared otherwise									

DESCRIPTION
Subtracts the contents of register Rj and carry bit C from the contents of register Ri, and places the result in the Ri.

ADDRESSING MODE & NUMBER OF MACHINE CYCLES						
ADDRESSING MODE		MNEMONIC	OPERAND TYPE	INSTRUCTION CODE		NUMBER OF MACHINE CYCLES
S	D			Byte 1	Byte 2	
REG		SBC	Ri, Rj	03	rjri	4



INSTRUCTION SET OVERVIEW

ARITHMETIC OPERATION

SBC

SBC (Subtract with Carry)

FORMAT

SBC Ri, (Rj)

CONDITION CODES

C: Set if a borrow is generated from the result; cleared otherwise

Z: Set if the result is 0; cleared otherwise

N: Set if the most significant bit of the result is 1; cleared otherwise

OPERATION

$R_i - (R_j)_M - C \rightarrow R_i$

DESCRIPTION

Subtracts the carry bit C and the data in the memory addressed by the contents of register Rj from register Ri. The result is placed in the Ri.

When the Rj is an odd-numbered register (j=1,3,5,...,15), the memory address is specified by contents of register pair RjRj-1.

While, when the Rj is an even-numbered register, the lower byte of memory address is specified by the contents of Rj (j=0,2,...,14) and the upper byte becomes 0.

ADDRESSING MODE & NUMBER OF MACHINE CYCLES

ADDRESSING MODE		MNEMONIC	OPERAND TYPE	INSTRUCTION CODE		NUMBER OF MACHINE CYCLES
S	D			Byte 1	Byte 2	
REG/REGI	REG	SBC	Ri, (Rj)	23	rjri	4



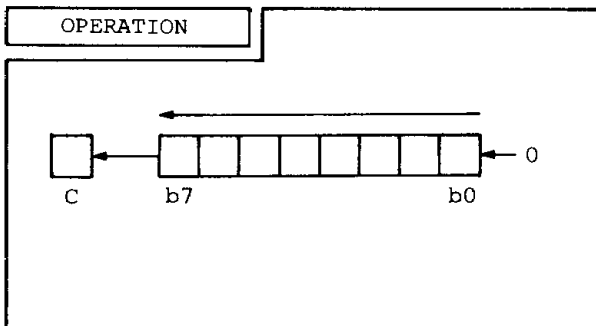
INSTRUCTION SET OVERVIEW

SHIFT OPERATION
SL

SL (Shift Left)

FORMAT
SL Ri

CONDITION CODES
<p>C: Set if the most significant bit of register Ri is 1 before executing the instruction; cleared otherwise</p> <p>Z: Set if the result is 0; cleared otherwise</p> <p>N: Set if the most significant bit of the result is 1; cleared otherwise</p>



DESCRIPTION
<p>Shifts the contents of register Ri by one bit to the left. Bit 0 is cleared, and bit 7 is transferred to the carry bit C.</p>

ADDRESSING MODE & NUMBER OF MACHINE CYCLES						
ADDRESSING MODE		MNEMONIC	OPERAND TYPE	INSTRUCTION CODE		NUMBER OF MACHINE CYCLES
S	D			Byte 1	Byte 2	
REG		SL	Ri	OF	Ori	4



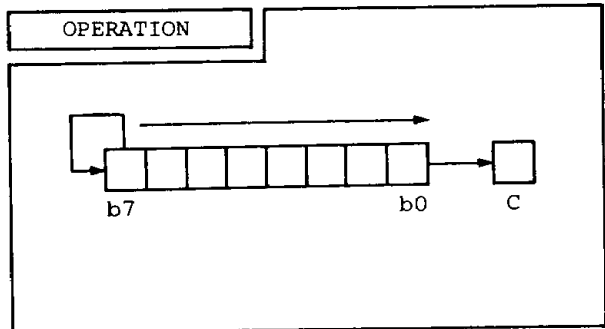
INSTRUCTION SET OVERVIEW

SHIFT OPERATION
SRA

SRA (Shift Right Arithmetic)

FORMAT	SRA Ri
--------	--------

CONDITION CODES	<p>C: Set if bit 0 of register Ri is 1 before executing the instruction; cleared otherwise</p> <p>Z: Set if the result is 0; cleared otherwise</p> <p>N: Set if the most significant bit of the result is 1; cleared otherwise</p>
-----------------	--



DESCRIPTION	<p>Shifts the contents of register Ri by one bit to the right. Bit 0 is transferred to the carry bit C, while bit 7 is not affected.</p>
-------------	--

ADDRESSING MODE & NUMBER OF MACHINE CYCLES						
ADDRESSING MODE		MNEMONIC	OPERAND TYPE	INSTRUCTION CODE		NUMBER OF MACHINE CYCLES
S	D			Byte 1	Byte 2	
REG		SRA	Ri	0D	0ri	4



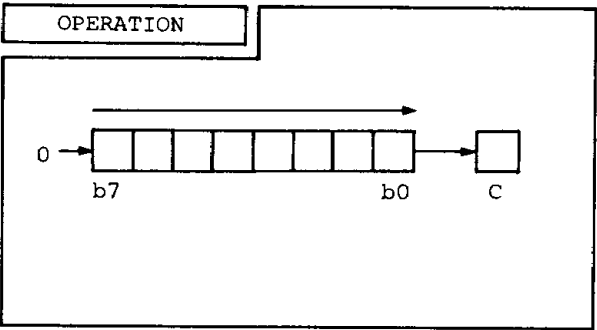
INSTRUCTION SET OVERVIEW

SHIFT OPERATION
SRL

SRL (Shift Right Logical)

FORMAT
SRL Ri

CONDITION CODES
C: Set if bit 0 of register Ri is 1 before executing the instruction; cleared otherwise
Z: Set if the result is 0; cleared otherwise
N: Cleared



DESCRIPTION
<p>Shift the contents of register Ri by one bit to the right. Bit 0 is transferred to the carry bit C, while bit 7 is cleared.</p>

ADDRESSING MODE & NUMBER OF MACHINE CYCLES						
ADDRESSING MODE		MNEMONIC	OPERAND TYPE	INSTRUCTION CODE		NUMBER OF MACHINE CYCLES
S	D			Byte 1	Byte 2	
REG		SRL	Ri	OC	Ori	4



INSTRUCTION SET OVERVIEW

TRANSFER
ST

ST (Store)

<div style="border: 1px solid black; padding: 2px; margin-bottom: 5px;">FORMAT</div> <p style="margin-left: 20px;">ST (Ri), Rj</p>	<div style="border: 1px solid black; padding: 2px; margin-bottom: 5px;">CONDITION CODES</div> <p>C: Not affected</p> <p>Z: Set if the data is 0; cleared otherwise</p> <p>N: Set if the most significant bit of the data is 1; cleared otherwise</p>
<div style="border: 1px solid black; padding: 2px; margin-bottom: 5px;">OPERATION</div> <p style="margin-left: 20px;">Rj → (Ri)_M</p>	

DESCRIPTION

Stores the contents of register Rj into the memory addressed by the contents of register Ri.

When the Ri is an odd-numbered register (i=1,3,5,⋯,15), the memory address is specified by the contents of register pair RiRi-1.

While, when the Ri is an even-numbered register, the lower byte of memory address is specified by the contents of Ri (i=0,2,⋯,14) and the upper byte becomes 0.

ADDRESSING MODE & NUMBER OF MACHINE CYCLES						
ADDRESSING MODE		MNEMONIC	OPERAND TYPE	INSTRUCTION CODE		NUMBER OF MACHINE CYCLES
S	D			Byte 1	Byte 2	
REG	REGI	ST	(Ri),Rj	2E	rirj	4



INSTRUCTION SET OVERVIEW

ARITHMETIC OPERATION
SUB

SUB (Subtract without Carry)

<table border="1"> <tr> <td>FORMAT</td> <td>SUB Ri, Rj</td> </tr> </table> <table border="1"> <tr> <td>OPERATION</td> <td>Ri - Rj → Ri</td> </tr> </table>	FORMAT	SUB Ri, Rj	OPERATION	Ri - Rj → Ri	<table border="1"> <tr> <td>CONDITION CODES</td> <td> <p>C: Set if a borrow is generated from the result; cleared otherwise</p> <p>Z: Set if the result is 0; cleared otherwise</p> <p>N: Set if the most significant bit of the result is 1; cleared otherwise</p> </td> </tr> </table>	CONDITION CODES	<p>C: Set if a borrow is generated from the result; cleared otherwise</p> <p>Z: Set if the result is 0; cleared otherwise</p> <p>N: Set if the most significant bit of the result is 1; cleared otherwise</p>
FORMAT	SUB Ri, Rj						
OPERATION	Ri - Rj → Ri						
CONDITION CODES	<p>C: Set if a borrow is generated from the result; cleared otherwise</p> <p>Z: Set if the result is 0; cleared otherwise</p> <p>N: Set if the most significant bit of the result is 1; cleared otherwise</p>						

DESCRIPTION	<p>Subtracts the contents of register Rj from the contents of register Ri, and places the result in the Ri.</p>
-------------	---

ADDRESSING MODE & NUMBER OF MACHINE CYCLES						
ADDRESSING MODE		MNEMONIC	OPERAND TYPE	INSTRUCTION CODE		NUMBER OF MACHINE CYCLES
S	D			Byte 1	Byte 2	
REG		SUB	Ri,Rj	02	rjri	4



INSTRUCTION SET OVERVIEW

ARITHMETIC OPERATION
SUB

SUB (Subtract without Carry)

<table border="1" style="width: 100%;"> <tr> <td style="text-align: center; font-weight: bold; font-size: small;">FORMAT</td> </tr> <tr> <td style="padding: 10px;">SUB Ri, (Rj)</td> </tr> </table>	FORMAT	SUB Ri, (Rj)	<table border="1" style="width: 100%;"> <tr> <td style="text-align: center; font-weight: bold; font-size: small;">CONDITION CODES</td> </tr> <tr> <td style="padding: 10px;"> <p>C: Set if a borrow is generated from the result; cleared otherwise</p> <p>Z: Set if the result is 0; cleared otherwise</p> <p>N: Set if the most significant bit of the result is 1; cleared otherwise</p> </td> </tr> </table>	CONDITION CODES	<p>C: Set if a borrow is generated from the result; cleared otherwise</p> <p>Z: Set if the result is 0; cleared otherwise</p> <p>N: Set if the most significant bit of the result is 1; cleared otherwise</p>
FORMAT					
SUB Ri, (Rj)					
CONDITION CODES					
<p>C: Set if a borrow is generated from the result; cleared otherwise</p> <p>Z: Set if the result is 0; cleared otherwise</p> <p>N: Set if the most significant bit of the result is 1; cleared otherwise</p>					
<table border="1" style="width: 100%;"> <tr> <td style="text-align: center; font-weight: bold; font-size: small;">OPERATION</td> </tr> <tr> <td style="padding: 10px;">$R_i - (R_j)_M \rightarrow R_i$</td> </tr> </table>	OPERATION	$R_i - (R_j)_M \rightarrow R_i$			
OPERATION					
$R_i - (R_j)_M \rightarrow R_i$					

DESCRIPTION
<p>Subtracts the data in the memory addressed by the contents of register Rj from the contents of register Ri. The result is placed in Ri.</p> <p>When the Rj is an odd-numbered register (j=1,3,5,····,15), the memory address is specified by contents of register pair RjRj-1.</p> <p>While, when the Rj is an even-numbered register, the lower byte of memory address is specified by the contents of Rj (j=0,2,····,14) and the upper byte becomes 0.</p>

ADDRESSING MODE & NUMBER OF MACHINE CYCLES						
ADDRESSING MODE		MNEMONIC	OPERAND TYPE	INSTRUCTION CODE		NUMBER OF MACHINE CYCLES
S	D			Byte 1	Byte 2	
REG/REGI	REG	SUB	Ri, (Rj)	22	rjri	4



INSTRUCTION SET OVERVIEW

ARITHMETIC OPERATION

SUBD

SUBD (Subtract Double)

FORMAT

SUBD Ri, Rj
(i=1,3,5,····,15)

CONDITION CODES

C: Not affected
Z: Set if the result is 0;
cleared otherwise
N: Not affected

OPERATION

Ri-1 - Rj → Ri-1
Ri - Borrow* → Ri
*:Borrow from the result of lower
byte subtraction.
C flag of CCR will not change.

DESCRIPTION

Subtracts the contents of register Rj from the contents of register pair RiRi-1 (i=1,3,5,····, 15), and places the result in RiRi-1.

ADDRESSING MODE & NUMBER OF MACHINE CYCLES

ADDRESSING MODE		MNEMONIC	OPERAND TYPE	INSTRUCTION CODE		NUMBER OF MACHINE CYCLES
S	D			Byte 1	Byte 2	
REG		SUBD	Ri, Rj	12	rjri	4



INSTRUCTION SET OVERVIEW

ARITHMETIC OPERATION
SUBD

SUBD (Subtract Double)

<table border="1" style="width: 100%; border-collapse: collapse;"> <tr> <td style="width: 20%; text-align: center; font-weight: bold;">FORMAT</td> <td style="padding: 5px;"> <p>SUBD Ri, (Rj) (i=1,3,5,....., 15)</p> </td> </tr> </table> <table border="1" style="width: 100%; border-collapse: collapse;"> <tr> <td style="text-align: center; font-weight: bold;">OPERATION</td> <td style="padding: 5px;"> <p>$R_{i-1} - (R_j)_M \rightarrow R_{i-1}$ $R_i - \text{Borrow}^* \rightarrow R_i$</p> <p>*:Borrow from the result of lower byte subtraction. C flag of CCR will not change.</p> </td> </tr> </table>	FORMAT	<p>SUBD Ri, (Rj) (i=1,3,5,....., 15)</p>	OPERATION	<p>$R_{i-1} - (R_j)_M \rightarrow R_{i-1}$ $R_i - \text{Borrow}^* \rightarrow R_i$</p> <p>*:Borrow from the result of lower byte subtraction. C flag of CCR will not change.</p>	<table border="1" style="width: 100%; border-collapse: collapse;"> <tr> <td style="text-align: center; font-weight: bold;">CONDITION CODES</td> <td style="padding: 5px;"> <p>C: Not affected</p> <p>Z: Set if the result is 0; cleared otherwise</p> <p>N: Not affected</p> </td> </tr> </table>	CONDITION CODES	<p>C: Not affected</p> <p>Z: Set if the result is 0; cleared otherwise</p> <p>N: Not affected</p>
FORMAT	<p>SUBD Ri, (Rj) (i=1,3,5,....., 15)</p>						
OPERATION	<p>$R_{i-1} - (R_j)_M \rightarrow R_{i-1}$ $R_i - \text{Borrow}^* \rightarrow R_i$</p> <p>*:Borrow from the result of lower byte subtraction. C flag of CCR will not change.</p>						
CONDITION CODES	<p>C: Not affected</p> <p>Z: Set if the result is 0; cleared otherwise</p> <p>N: Not affected</p>						

DESCRIPTION	<p>Subtracts the data in the memory addressed by the contents of register Rj, from the contents of register pair RiRi-1 (i=1,3,5,.....,15). The result is placed in RiRi-1. When the Rj is an odd-numbered register (j=1,3,5,....., 15), the memory address is specified by contents of register pair RjRj-1. While, when the Rj is an even-numbered register, the lower byte of memory address is specified by the contents of Rj (j=0,2,.....,14) and the upper byte becomes 0.</p>
-------------	---

ADDRESSING MODE & NUMBER OF MACHINE CYCLES						
ADDRESSING MODE		MNEMONIC	OPERAND TYPE	INSTRUCTION CODE		NUMBER OF MACHINE CYCLES
S	D			Byte 1	Byte 2	
REG/REGI	REG	SUBD	Ri, (Rj)	32	rjri	4



INSTRUCTION SET OVERVIEW

LOGICAL OPERATION
TST

TST (Test)

FORMAT
TST Ri, Rj

CONDITION CODES
C: Not affected
Z: Set if the result is 0; cleared otherwise
N: Set if the most significant bit of the result is 1; cleared otherwise

OPERATION
$R_i \wedge R_j$

DESCRIPTION
Performs logical AND operation between the contents of register Ri and register Rj.

ADDRESSING MODE & NUMBER OF MACHINE CYCLES						
ADDRESSING MODE		MNEMONIC	OPERAND TYPE	INSTRUCTION CODE		NUMBER OF MACHINE CYCLES
S	D			Byte 1	Byte 2	
REG	-	TST	Ri, Rj	16	rjri	4



INSTRUCTION SET OVERVIEW

LOGICAL OPERATION
TST

TST (Test)

<table border="1" style="width: 100%;"> <tr> <td style="text-align: center; font-weight: bold; font-size: small;">FORMAT</td> </tr> <tr> <td style="padding: 10px;">TST Ri, (Rj)</td> </tr> </table>	FORMAT	TST Ri, (Rj)	<table border="1" style="width: 100%;"> <tr> <td style="text-align: center; font-weight: bold; font-size: small;">CONDITION CODES</td> </tr> <tr> <td style="padding: 10px;"> <p>C: Not affected</p> <p>Z: Set if the result is 0; cleared otherwise</p> <p>N: Set if the most significant bit of the result is 1; cleared otherwise</p> </td> </tr> </table>	CONDITION CODES	<p>C: Not affected</p> <p>Z: Set if the result is 0; cleared otherwise</p> <p>N: Set if the most significant bit of the result is 1; cleared otherwise</p>
FORMAT					
TST Ri, (Rj)					
CONDITION CODES					
<p>C: Not affected</p> <p>Z: Set if the result is 0; cleared otherwise</p> <p>N: Set if the most significant bit of the result is 1; cleared otherwise</p>					
<table border="1" style="width: 100%;"> <tr> <td style="text-align: center; font-weight: bold; font-size: small;">OPERATION</td> </tr> <tr> <td style="padding: 10px;">$R_i \wedge (R_j)_M$</td> </tr> </table>	OPERATION	$R_i \wedge (R_j)_M$			
OPERATION					
$R_i \wedge (R_j)_M$					

DESCRIPTION
<p>Performs logical AND operation between the contents of register Ri and the data in the memory addressed by the contents of register Rj.</p> <p>When the Rj is an odd-numbered register (j=1,3,5,····,15), the memory address is specified by contents of register pair RjRj-1.</p> <p>While, when the Rj is an even-numbered register, the lower byte of memory address is specified by the contents of Rj (j=0,2,····,14) and the upper byte becomes 0.</p>

ADDRESSING MODE & NUMBER OF MACHINE CYCLES						
ADDRESSING MODE		MNEMONIC	OPERAND TYPE	INSTRUCTION CODE		NUMBER OF MACHINE CYCLES
S	D			Byte 1	Byte 2	
REG/REGI	-	TST	Ri, (Rj)	36	rjri	4



INSTRUCTION SET OVERVIEW

4.2 Instruction Set Summary

Operation Name	Mnemonics	OP-code	Addressing						Operation	CCR		
			IMM → R	R → R	R → M	M → R	REL	IND		2	1	0
ADD	ADD Ri, m	8 xi mHmL	0						Ri + m → Ri	↑	↓	↑
	ADD Ri, Rj	0 0 rjxi	0						Ri + Rj → Ri	↑	↓	↑
	ADD Ri, (Rj)	2 0 rjxi		0					Ri + (Rj) _M ^{*2} → Ri	↑	↓	↑
ADC	ADC Ri, m	9 xi mHmL	0						Ri + m + C → Ri	↑	↓	↑
	ADC Ri, Rj	0 1 rjxi	0						Ri + Rj + C → Ri	↑	↓	↑
	ADC Ri, (Rj)	2 1 rjxi		0					Ri + (Rj) _M ^{*2} + C → Ri	↑	↓	↑
SUB	SUB Ri, Rj	0 2 rjxi		0					Ri - Rj → Ri	↑	↓	↑
	SUB Ri, (Rj)	2 2 rjxi		0					Ri - (Rj) _M ^{*2} → Ri	↑	↓	↑
SBC	SBC Ri, m	B xi mHmL	0						Ri - m - C → Ri	↑	↓	↑
	SBC Ri, Rj	0 3 rjxi		0					Ri - Rj - C → Ri	↑	↓	↑
	SBC Ri, (Rj)	2 3 rjxi		0					Ri - (Rj) _M ^{*2} - C → Ri	↑	↓	↑

Ri, Rj : Register

mHmL : Immediate Data

gHgL : Relative Data

*1 : ↓ Set or reset depending on the result of instruction execution.

• : Not change

*2 : j = odd; (Rj, Rj-1)_M j = even; (0, Rj)_M

INSTRUCTION SET OVERVIEW

Operation Name	Mnemonics	OP-code	Addressing							CCR			
			IMM → R	R → R	R → R	M → M	M → R	REL	IND	Operation	2	1	0
											N	Z	C
ADDD	^{*3} ADDD Ri, Rj	1 0 rjri									•	↑	• ^{*1}
	^{*3} ADDD Ri, (Rj)	3 0 rjri				0					•	↑	•
SUBD	^{*3} SUBD Ri, Rj	1 2 rjri									•	↑	•
	^{*3} SUBD Ri, (Rj)	3 2 rjri				0					•	↑	•
TST	TST Ri, Rj	1 6 rjri									↑	↑	•
	TST Ri, (Rj)	3 6 rjri				0					↑	↑	•

r_i, r_j : Register mHmL : Immediate Data gHgL : Relative Data
^{*1} : † Set or reset depending on the result of instruction execution. • : Not change
^{*2} : j = odd; (Rj, Rj-1)M j = even; (0, Rj)M
^{*3} : Ri; i = odd



INSTRUCTION SET OVERVIEW

Operation Name	Mnemonics	OP-code	Addressing						Operation	CCR		
			IMM → R	R → R	R → M	M → R	REL	IND		2	1	0
AND	AND Ri, m	E xi mHmL	0						$Ri \wedge m \rightarrow Ri$	↑	↑	•
	AND Ri, Rj	0 6 xjxi	0						$Ri \wedge Rj \rightarrow Ri$	↑	↑	•
	AND Ri, (Rj)	2 6 xjxi				0			$Ri \wedge (Rj)_M^{*2} \rightarrow Ri$	↑	↑	•
OR	OR Ri, m	C xi mHmL	0						$Ri \vee m \rightarrow Ri$	↑	↑	•
	OR Ri, Rj	0 4 xjxi	0						$Ri \vee Rj \rightarrow Ri$	↑	↑	•
	OR Ri, (Rj)	2 4 xjxi				0			$Ri \vee (Rj)_M^{*2} \rightarrow Ri$	↑	↑	•
EOR	EOR Ri, m	D xi mHmL	0						$Ri \oplus m \rightarrow Ri$	↑	↑	•
	EOR Ri, Rj	0 5 xjxi	0						$Ri \oplus Rj \rightarrow Ri$	↑	↑	•
	EOR Ri, (Rj)	2 5 xjxi				0			$Ri \oplus (Rj)_M^{*2} \rightarrow Ri$	↑	↑	•
CMP	CMP Ri, m	A xi mHmL	0						$Ri - m$	↑	↑	↑
	CMP Ri, Rj	1 3 xjxi	0						$Ri - Rj$	↑	↑	↑
	CMP Ri, (Rj)	3 3 xjxi				0			$Ri - (Rj)_M^{*2}$	↑	↑	↑

Ri, Rj : Register mHmL : Immediate Data gHgL : Relative Data
 *1 : ↑:Set or reset depending on the result of instruction execution. • : Not change
 *2 : j = odd; (Rj, Rj-1)_M j = even; (0, Rj)_M



INSTRUCTION SET OVERVIEW

Operation Name	Mnemonics	OP-code	Addressing						CCR					
			IMM → R	R → R	R → R	M → R	REL	IND	N	Z	C			
Shift Left	SL Ri	0 F 0 Ri		O							↕	↕	↕	*1
Shift Right	SRL Ri SRA Ri	0 C 0 Ri 0 D 0 Ri		O							↕	↕	↕	↕
Rotate	ROL Ri ROR Ri	1 F 0 Ri 1 C 0 Ri		O							↕	↕	↕	↕
Increment	INC Ri	0 B 0 Ri		O							↕	↕	↕	●
Decrement	DEC Ri	0 9 0 Ri		O							↕	↕	↕	●

ri, rj : Register mHmL : Immediate Data gHgL : Relative Data

*1 : † Set or reset depending on the result of instruction execution. ● : Not change



INSTRUCTION SET OVERVIEW

Operation Name	Mnemonics	OP-code	Addressing					Operation	CCR		
			IMM → R	R → R	R → M	M → R	REL		IND	2	1
LOAD	LD Ri, m	F Ri mHmL	0					m → Ri	↑	↑	• ^{*1}
	LD Ri, (Rj)	2 8 RjRi			0			(Rj) _M ^{*2} → Ri	↑	↑	•
MOVE	MV Ri, Rj	0 8 RjRi		0				Rj → Ri	↑	↑	•
STORE	ST (Ri), Rj	2 E RiRj			0			Rj → (Ri) _M ^{*2}	↑	↑	•
CCR to R	CTR Ri	1 A 0 Ri		0				CCR → Ri	•	•	•
	RTC Ri	1 B 0 Ri		0				Ri → CCR	↑	↑	↑

R_i, R_j : Register mHmL : Immediate Data gHgL : Relative Data
^{*1} : ↑: Set or reset depending on the result of instruction execution. • : Not change
^{*2} : j = odd; (Rj, Rj-1)_M j = even; (0, Rj)_M

INSTRUCTION SET OVERVIEW

Operation Name	Mnemonics	OP-code	Addressing							Operation	CCR			
			IMM → R	R → R	R → R	R → M	M → R	REL	IND		2	1	0	
CALL	CALL g	4 E gHgL							0	PCL → (SP)M PCH → (SP-1)M SP - 2 → SP PC + g → PC	•	•	•	*1
	CALL (Ri)	5 E RiE						0		PCL → (SP)M PCH → (SP-1)M SP - 2 → SP *2 Ri, Ri-1 → PC	•	•	•	
Return from Subroutine	RET	7 E 0 E								(SP+1)M → PCH (SP+2)M → PCL SP+2 → SP	•	•	•	

Ri, Rj : Register mHmL : Immediate Data gHgL : Relative Data
 *1 : ↓:Set or reset depending on the result of instruction execution. • : Not change
 *2 : Ri, Ri-1; i = odd



4.4 Precautions for Programming

NOP (No operation): The MCU doesn't have NOP (No operation) instruction. However, the same operation as NOP instruction can be realized by JP instruction. Refer to Figure 4-1 for details.

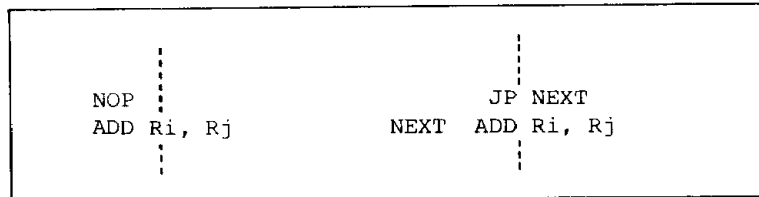


Figure 4-1 No Operation by JP Instruction

Power ON/OFF sequence: Power ON/OFF must be done as follows to prevent a wrong write of EEPROM or latch-up.

Power ON

- . Power ON with $\overline{\text{RES}}=\text{CLK}=\text{"LOW"}$ and I/O="LOW" (or high-impedance).
- . Supply the CLK after power up.
- . $\overline{\text{RES}}$ must be held "LOW" more than 20 CLK cycles.

Power OFF

- . $\overline{\text{RES}}=\text{"LOW"}$ and I/O="LOW" (or high-impedance)
- . CLK="LOW" after holding the $\overline{\text{RES}}=\text{"LOW"}$ more than 20 CLK cycles.
- . Power OFF within 1ms after CLK="LOW"

Page write of EEPROM: In page write operation, all data written at one time must be in the same page. If the data in different pages are written at one time, all data will be written in one page which is selected by the first data. For example, if the addresses from \$1810 to \$182F are written at one time, addresses from \$1810 to \$181F will be written correctly, but the data which must be written to the addresses from \$1820 to \$182F properly, will be written in \$1800 to \$180F.

In this case the addresses from \$1810 to \$181F and \$1820 to \$182F must be written separately.

Section 5. ROM Ordering

Concerning ROM ordering, please refer "Single Chip Microcomputer ROM Ordering Manual".

If the ROM code media is an EPROM, please pay attention to the program addresses of the EPROM.

Table 5-1 provides the address correspondence between mask ROM and EPROM. All data in unused addresses must be \$FF.

Table 5-1 Address correspondence between mask ROM and EPROM

Mask ROM Addresses in MCU	EPROM Addresses	EPROM Type
\$3400	\$1400	HN482764
to	to	HN27C64
\$3FFF	\$1FFF	or equivalents

Section 6. Electrical Characteristics

Absolute Maximum Ratings

Item	Symbol	Value	Unit
Supply voltage	V _{CC}	-0.3 to +7.0	V
Input voltage	V _{in}	-0.3 to V _{CC} +0.3	V
Operating temperature range	T _{opr}	0 to +50	°C
Storage temperature	T _{stg}	0 to +50	°C

DC Characteristics (V_{CC}=5V±10%, V_{SS}=0V, T_a=0 to +50°C)

Item	Symbol	Min.	Typ.	Max.	Unit	Test Condition
Input high voltage	$\overline{\text{RES}}$	V _{IH}	4.0	V _{CC} +0.3	V	
	CLK		2.4	V _{CC} +0.3		
	I/O Port		2.0	V _{CC} +0.3		
Input low voltage	$\overline{\text{RES}}$	V _{IL}	-0.3	0.6	V	
	CLK		-0.3	0.5		
	I/O Port		-0.3	0.8		
Output high voltage	V _{OH}		2.4	V _{CC}	V	I _{OH} = -100μA
			3.8	V _{CC}		I _{OH} = -20μA
Output low voltage	V _{OL}	0		0.4	V	I _{OL} = 1mA
Input leakage current ($\overline{\text{RES}}$, CLK)	I _{in}			10.0	μA	V _{in} =0.5 to V _{CC} -0.5V
Three state leakage current (I/O)	I _{TL}			10.0	μA	V _{in} =0.5 to V _{CC} -0.5V
Power dissipation	I _{cc}			10	mA	f=5MHz
Pin capacitance	C _p			15	pF	V _{in} =0V, f=1MHz T _a =25°C



ELECTRICAL CHARACTERISTICS

AC Characteristics ($V_{CC}=5V\pm 10\%$, $V_{SS}=0V$, $T_a=0$ to $+50^\circ C$)

Item	Symbol	Min.	Typ.	Max.	Unit	Test Condition
Clock cycle time	t_{cyc}	0.2		0.33	μs	Fig. 6-1
Clock pulse width high	t_{CH}	0.4		0.6	t_{cyc}	Fig. 6-1
Clock pulse width low	t_{CL}	0.4		0.6	t_{cyc}	Fig. 6-1
Clock fall time	t_{Cf}			20	ns	Fig. 6-1
Clock rise time	t_{Cr}			20	ns	Fig. 6-1
I/O port fall time	t_f			1.0	μs	Fig. 6-2
I/O port rise time	t_r			1.0	μs	Fig. 6-2
\overline{RES} pulse width	t_{RWL}	20			t_{cyc}	Fig. 2-12
EEPROM erase/write time	t_{EPW}		10	15	ms	Fig. 3-6



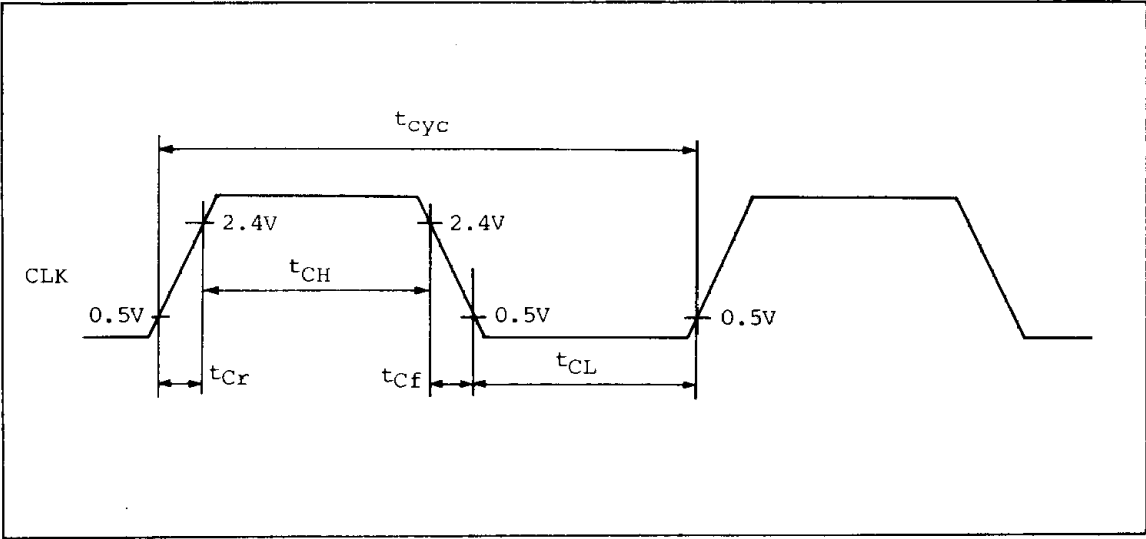


Figure 6-1 CLK Input Wave Form

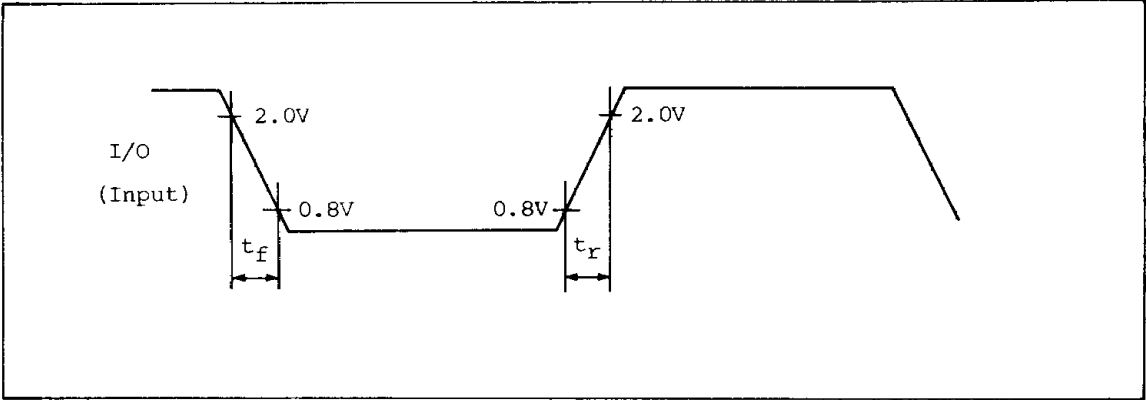


Figure 6-2 I/O Input Wave Form