

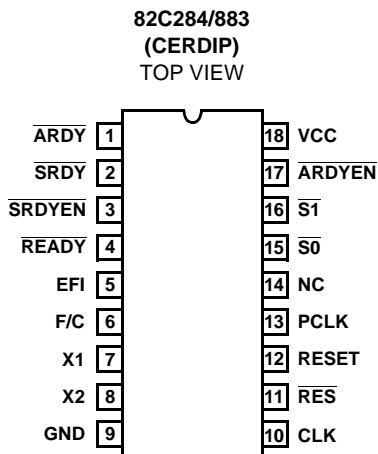
Clock Generator and Ready Interface for 80C286 Processors

March 1997

Features

- This Circuit is Processed in Accordance to MIL-STD-883 and is Fully Conformant Under the Provisions of Paragraph 1.2.1.
- Generates System Clock for 80C286 Processors
- Generates System Reset Output from Schmitt Trigger Input
 - Improved Hysteresis
- Uses Crystal or External Signal for Frequency Source
 - Dynamically Switchable Between Two Input Frequencies
- Provides Local $\overline{\text{READY}}$ and MULTIBUS™ $\overline{\text{READY}}$ Synchronization
- Static CMOS Technology
- Single +5V Power Supply
- Available in 18 Lead CERDIP Package

Pinout



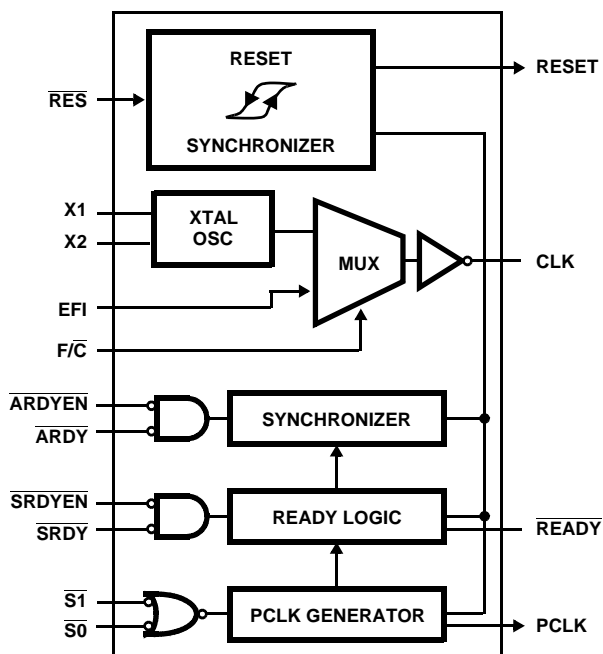
Description

The Intersil 82C284/883 is a clock generator/driver which provides clock signals for 80C286 processors and support components. It also contains logic to supply $\overline{\text{READY}}$ to the CPU from either asynchronous or synchronous sources and synchronous $\overline{\text{RESET}}$ from an asynchronous input with hysteresis.

Ordering Information

PART NUMBER	TEMP. RANGE	PACKAGE	PKG. NO.
MD82C284-12/883	-55°C to +125°C	CERDIP	F18.3

Functional Diagram



82C284/883

Absolute Maximum Ratings

Supply Voltage +8.0V
 Input, Output or I/O Voltage Applied. GND -0.1V to VCC +1.0V
 ESD Classification Class 2

Thermal Information

Thermal Resistance θ_{JA} (°C/W) θ_{JC} (°C/W)
 CERDIP Package 80 20
 Gate Count 200 Gates
 Storage Temperature Range -65°C to +150°C
 Junction Temperature +175°C
 Lead Temperature (Soldering 10s) +300°C

CAUTION: Stresses above those listed in the "Absolute Maximum Ratings" may cause permanent damage to the device. This is a stress only rating and operation of the device at these or any other conditions above those indicated in the operation section of this specification is not implied.

Operating Conditions

Operating Temperature Range. -55°C to +125°C EFI Rise Time (From 0.8V to 3.2V). 8ns (Max)
 Operating Supply Voltage. +4.5V to +5.5V EFI Fall Time (From 3.2V to 0.8V) 8ns (Max)

TABLE 1. 82C284/883 D.C. ELECTRICAL PERFORMANCE SPECIFICATIONS

Device Guaranteed and 100% Tested.

PARAMETER	SYMBOL	CONDITIONS	GROUP A SUBGROUPS	TEMPERATURE	MIN	MAX	UNITS
Input LOW Voltage	VIL	VCC = 4.5V	1, 2, 3	-55°C ≤ T _A ≤ +125°C	-	0.8	V
Input HIGH Voltage	VIH	VCC = 5.5V	1, 2, 3	-55°C ≤ T _A ≤ +125°C	2.2	-	V
EFI, F/C Input High Voltage	VIHC	VCC = 5.5V	1, 2, 3	-55°C ≤ T _A ≤ +125°C	3.2	-	V
\overline{RES} HIGH Voltage	VIHR	VCC = 5.5V	1, 2, 3	-55°C ≤ T _A ≤ +125°C	VCC -0.8	-	V
\overline{RES} Input Hysteresis	VHYS	VCC = 5.5V	1, 2, 3	-55°C ≤ T _A ≤ +125°C	0.5	-	V
RESET, PCLK Output LOW Voltage	VOL	IOL = 5mA, VCC = 4.5V, Note 2	1, 2, 3	-55°C ≤ T _A ≤ +125°C	-	0.4	V
RESET, PCLK Output Voltage	VOH	IOH = -1mA, VCC = 4.5V, Note 2	1, 2, 3	-55°C ≤ T _A ≤ +125°C	VCC -0.4	-	V
READY Output LOW Voltage	VOLR	IOH = 10mA, VCC = 4.55V, Note 2	1, 2, 3	-55°C ≤ T _A ≤ +125°C	-	0.4	V
CLK Output LOW Voltage	VOLC	IOL = 5mA, VCC = 4.5V, Note 2	1, 2, 3	-55°C ≤ T _A ≤ +125°C	-	0.4	V
CLK Output HIGH Voltage	VOHC	IOH = -5mA, VCC = 4.5V, Note 2	1, 2, 3	-55°C ≤ T _A ≤ +125°C	VCC -0.4	-	V
Input Leakage Current	II	VIN = GND or VCC, VCC = 5.5V	1, 2, 3	-55°C ≤ T _A ≤ +125°C	-10	10	μA
Active Power Supply Current	ICCOP	82C284-10/883, Note 1	1, 2, 3	-55°C ≤ T _A ≤ +125°C	-	48	mA
		82C284-12/883, Note 1	1, 2, 3	-55°C ≤ T _A ≤ +125°C	-	60	mA

NOTES:

1. ICCOP measured at 10MHz for the 82C284-10/883 and at 12.5MHz for the 82C284-12/883. VIN = GND or VCC, VCC = 5.5V, outputs unloaded.
2. Interchanging of force and sense conditions is permitted.

TABLE 2. 82C284/883 A.C. ELECTRICAL PERFORMANCE SPECIFICATIONS

Device Guaranteed and 100% Tested. A.C. timings are referenced to 0.8V and 2.0V points of the signals as illustrated in datasheet waveforms, unless otherwise specified.

PARAMETER	SYMBOL	(NOTE 1) CONDITIONS	GROUP A SUBGROUP	TEMPERATURE	10MHz		12MHz		UNITS
					MIN	MAX	MIN	MAX	
EFI LOW Time	t1	At VCC/2, Note 8	9, 10, 11	-55°C ≤ T _A ≤ +125°C	20	-	16	-	ns
EFI HIGH Time	t2	At VCC/2, Note 8	9, 10, 11	-55°C ≤ T _A ≤ +125°C	20	-	20	-	ns

TABLE 2. 82C284/883 A.C. ELECTRICAL PERFORMANCE SPECIFICATIONS (Continued)

Device Guaranteed and 100% Tested. A.C. timings are referenced to 0.8V and 2.0V points of the signals as illustrated in datasheet waveforms, unless otherwise specified. (Continued)

PARAMETER	SYMBOL	(NOTE 1) CONDITIONS	GROUP A SUBGROUP	TEMPERATURE	10MHz		12MHz		UNITS
					MIN	MAX	MIN	MAX	
Status Setup Time for Status Going Active	t5A		9, 10, 11	$-55^{\circ}\text{C} \leq T_A \leq +125^{\circ}\text{C}$	20	-	18	-	ns
Status Setup Time for Going Inactive	t5B		9, 10, 11	$-55^{\circ}\text{C} \leq T_A \leq +125^{\circ}\text{C}$	20	-	16	-	ns
Status Hold Time	t6		9, 10, 11	$-55^{\circ}\text{C} \leq T_A \leq +125^{\circ}\text{C}$	1	-	1	-	ns
F/C Setup Time	t7		9, 10, 11	$-55^{\circ}\text{C} \leq T_A \leq +125^{\circ}\text{C}$	15	-	15	-	ns
F/C Hold Time	t8		9, 10, 11	$-55^{\circ}\text{C} \leq T_A \leq +125^{\circ}\text{C}$	15	-	15	-	ns
SRDY or SRDYEN Setup Time	t9		9, 10, 11	$-55^{\circ}\text{C} \leq T_A \leq +125^{\circ}\text{C}$	15	-	15	-	ns
SRDY or SRDYEN Hold Time	t10		9, 10, 11	$-55^{\circ}\text{C} \leq T_A \leq +125^{\circ}\text{C}$	2	-	2	-	ns
ARDY or ARDYEN Setup Time	t11	Note 3	9, 10, 11	$-55^{\circ}\text{C} \leq T_A \leq +125^{\circ}\text{C}$	5	-	5	-	ns
ARDY or ARDYEN Hold Time	t12	Note 3	9, 10, 11	$-55^{\circ}\text{C} \leq T_A \leq +125^{\circ}\text{C}$	30	-	25	-	ns
RES Setup Time	t13	Notes 3, 7	9, 10, 11	$-55^{\circ}\text{C} \leq T_A \leq +125^{\circ}\text{C}$	20	-	18	-	ns
RES Hold Time	t14	Notes 3, 7	9, 10, 11	$-55^{\circ}\text{C} \leq T_A \leq +125^{\circ}\text{C}$	10	-	8	-	ns
CLK Period	t16		9, 10, 11	$-55^{\circ}\text{C} \leq T_A \leq +125^{\circ}\text{C}$	50	-	40	-	ns
CLK LOW Period	t17	Notes 2, 6	9, 10, 11	$-55^{\circ}\text{C} \leq T_A \leq +125^{\circ}\text{C}$	12	-	11	-	ns
CLK HIGH Time	t18	Notes 2, 6	9, 10, 11	$-55^{\circ}\text{C} \leq T_A \leq +125^{\circ}\text{C}$	16	-	13	-	ns
READY Inactive Delay	t21	At 0.8V, Note 4, Test Condition 2	9, 10, 11	$-55^{\circ}\text{C} \leq T_A \leq +125^{\circ}\text{C}$	5	-	5	-	ns
READY Active Delay	t22	At 0.8V, Note 4	9, 10, 11	$-55^{\circ}\text{C} \leq T_A \leq +125^{\circ}\text{C}$	-	24	-	18	ns
PCLK Delay	t23	CL = 75pF, Test Condition 1	9, 10, 11	$-55^{\circ}\text{C} \leq T_A \leq +125^{\circ}\text{C}$	-	20	-	16	ns
RESET Delay	t24	CL = 75pF, Test Condition 3	9, 10, 11	$-55^{\circ}\text{C} \leq T_A \leq +125^{\circ}\text{C}$	-	27	-	26	ns
PCLK LOW Time	t25	CL = 75pF, Note 5	9, 10, 11	$-55^{\circ}\text{C} \leq T_A \leq +125^{\circ}\text{C}$	t16-10	-	t16-10	-	ns
PCLK HIGH Time	t26	CL = 75pF, Note 5	9, 10, 11	$-55^{\circ}\text{C} \leq T_A \leq +125^{\circ}\text{C}$	t16-10	-	t16-10	-	ns

82C284/883

TABLE 2. 82C284/883 A.C. ELECTRICAL PERFORMANCE SPECIFICATIONS (Continued)

Device Guaranteed and 100% Tested. A.C. timings are referenced to 0.8V and 2.0V points of the signals as illustrated in datasheet waveforms, unless otherwise specified. **(Continued)**

PARAMETER	SYMBOL	(NOTE 1) CONDITIONS	GROUP A SUBGROUP	TEMPERATURE	10MHz		12MHz		UNITS
					MIN	MAX	MIN	MAX	

NOTES:

1. VCC = 4.5V and 5.5V unless otherwise specified. CLK loading: CL = 100pF.
2. With the internal crystal oscillator using recommended crystal and capacitive loading; or with the EFI input meeting specifications t1 and t2. The recommended crystal loading for CLK frequencies of 8MHz to 20MHz are 25pF from pin X1 to GND, and 15pF from pin X2 to GND; for CLK frequencies from 20MHz to 25MHz the recommended loading is 15pF from pin X1 to GND, and 15pF from X2 to GND. These recommended values are ±5pF and include all stray capacitance. Decouple VCC and GND as close to the 80C284/883 as possible.
3. This is an asynchronous input. This specification is given for testing purposes only, to assure recognition at a specific CLK edge.
4. The pull-up resistor value for the $\overline{\text{READY}}$ pin is 620Ω with the rated 150pF load.
5. t16 refers to any allowable CLK period.
6. When using a crystal with the recommended capacitive loading, CLK output HIGH and LOW times are guaranteed to meet 80C286 requirements.
7. Measured from 1.0V on the CLK to 0.8V on the $\overline{\text{RES}}$ waveform for $\overline{\text{RES}}$ active, and to 4.2V on the $\overline{\text{RES}}$ waveform for $\overline{\text{RES}}$ inactive.
8. Input test waveform characteristics: VIL = 0.0V, VIH = 4.5V.

TABLE 3. 82C284/883 ELECTRICAL PERFORMANCE SPECIFICATIONS

PARAMETER	SYMBOL	CONDITIONS	NOTES	TEMPERATURE	10MHz		12MHz		UNITS
					MIN	MAX	MIN	MAX	
Input Capacitance	CIN	FREQ = 1MHz, All measurements are referenced to device GND	1	$T_A = +25^\circ\text{C}$	-	10	-	10	pF
EFI HIGH to CLK LOW Delay	t15A		1, 2	$-55^\circ\text{C} \leq T_A \leq +125^\circ\text{C}$	-	30	-	25	ns
EFI LOW to CLK HIGH Delay	t15B		1, 3	$-55^\circ\text{C} \leq T_A \leq +125^\circ\text{C}$	-	35	-	30	ns
CLK Rise Time	t19	1.0V to 3.6V, CL = 100pF	1	$-55^\circ\text{C} \leq T_A \leq +125^\circ\text{C}$	-	8	-	8	ns
CLK Fall Time	t20	3.6V to 1.0V, CL = 100pF	1	$-55^\circ\text{C} \leq T_A \leq +125^\circ\text{C}$	-	8	-	8	ns
X1 HIGH to CLK	t27		1, 4	$-55^\circ\text{C} \leq T_A \leq +125^\circ\text{C}$	-	35	-	30	ns

NOTES:

1. The parameters listed in Table 3 are controlled via design or process parameters and are not directly tested. These parameters are characterized upon initial design and after major process and/or design changes.
2. Measured from 3.2V on the EFI waveform to 1.0V on the CLK.
3. Measured from 0.8V on the EFI waveform to 3.6V on the CLK.
4. Measured from 3.6V on the X1 input to 3.6V on the CLK.

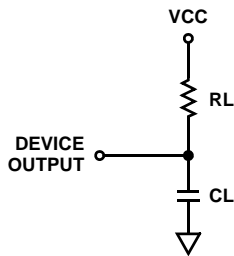
TABLE 4. APPLICABLE SUBGROUPS

CONFORMANCE GROUPS	METHOD	SUBGROUPS
Initial Test	100%/5004	-
Interim Test	100%/5004	1, 7, 9

TABLE 4. APPLICABLE SUBGROUPS

CONFORMANCE GROUPS	METHOD	SUBGROUPS
PDA	100%	1
Final Test	100%	2, 3, 8A, 8B, 10, 11
Group A	-	1, 2, 3, 7, 8A, 8B, 9, 10, 11
Groups C & D	Samples/5005	1, 7, 9

A.C. Test Conditions



TEST CONDITION	RL	CL
1	750Ω	75pF
2	620Ω	150pF
3	∞	75pF

A.C. Specifications

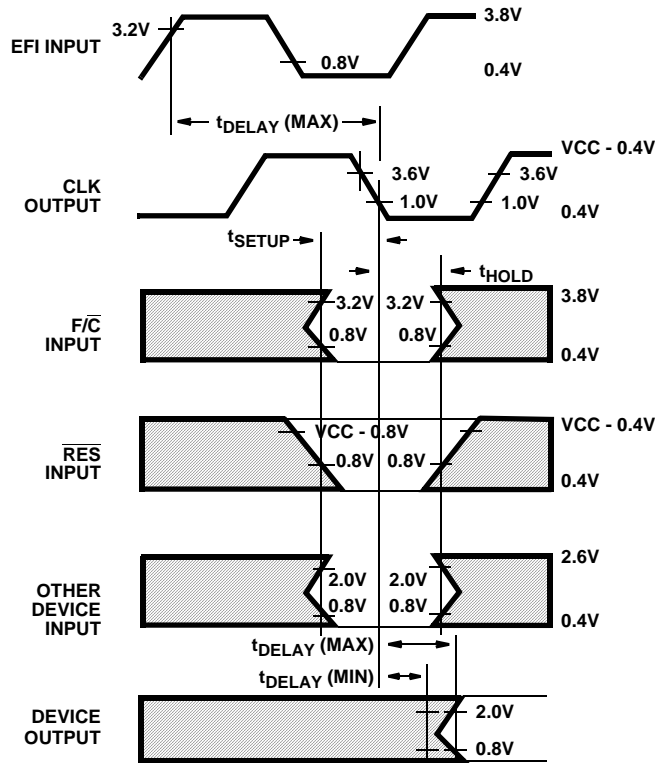


FIGURE 1. A.C. DRIVE, SETUP, HOLD AND DELAY TIME MEASUREMENT POINTS

Timing Waveforms

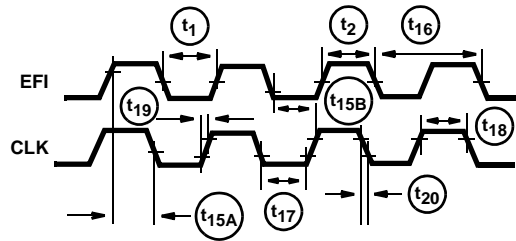
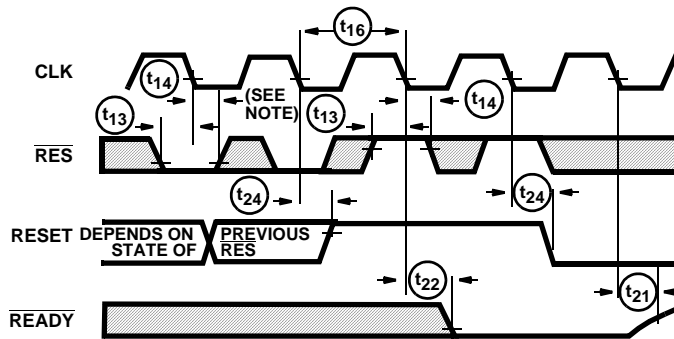


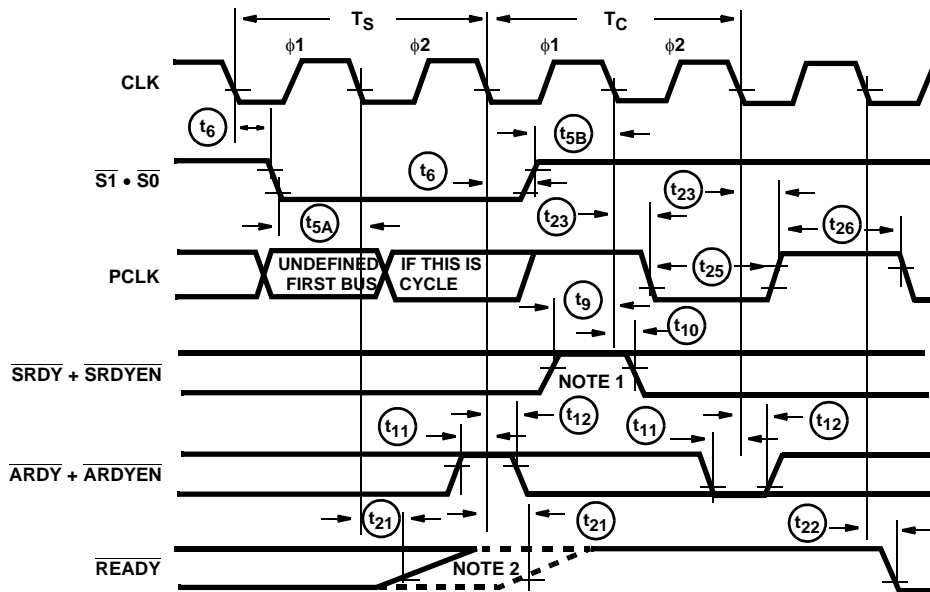
FIGURE 2. CLK AS A FUNCTION OF EFI

NOTE: The EFI input LOW and HIGH times as shown are required to guarantee the CLK LOW and HIGH times shown.



NOTE: This is an asynchronous input. The setup and hold times shown are required to guarantee the response shown.

FIGURE 3. RESET AND READY TIMING AS A FUNCTION OF RES WITH S1, S0, ARDY + ARDYEN AND SRDY + SRDYEN HIGH



NOTES:

1. This is an asynchronous input. The setup and hold times shown are required to guarantee the response shown.
2. If $\overline{SRDY} + \overline{SRDYEN}$ or $\overline{ARDY} + \overline{ARDYEN}$ are active before and/or during the first bus cycle after RESET, \overline{READY} may not be deasserted until the falling edge of $\phi 2$ of T_S .

FIGURE 4. \overline{READY} AND PCLK TIMING WITH \overline{RES} HIGH

Timing Waveforms (Continued)

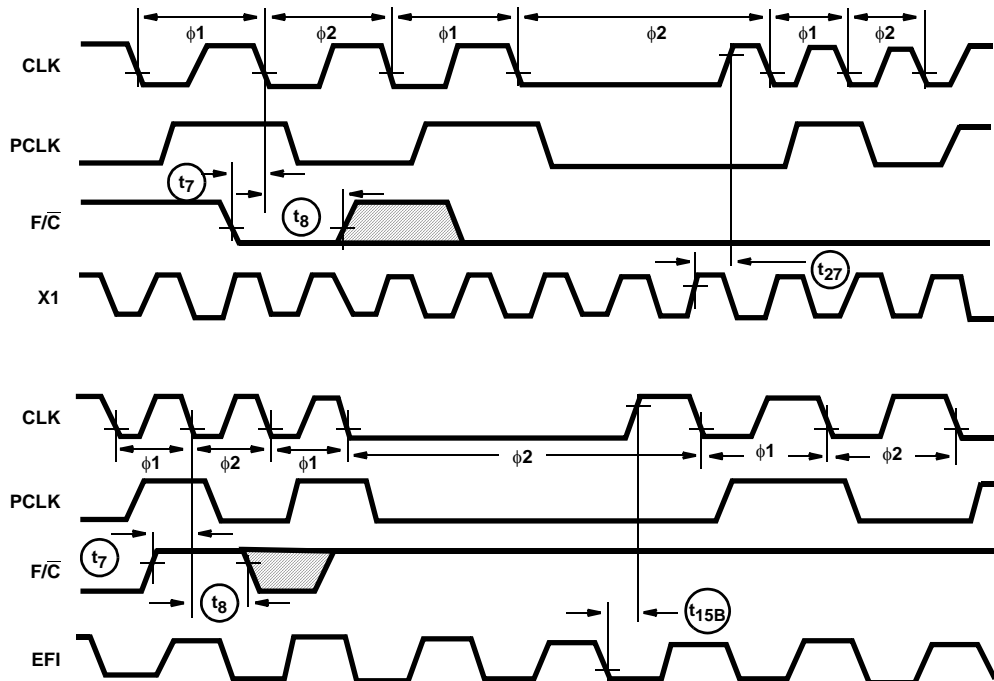
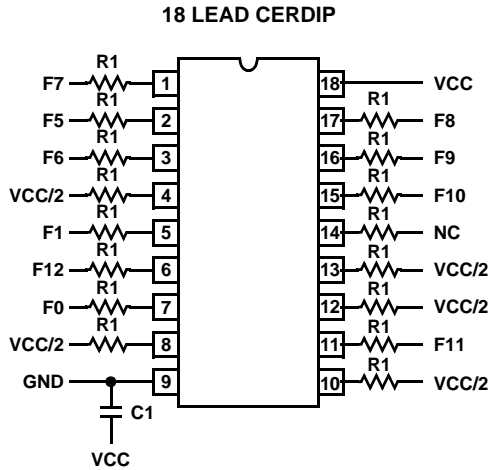


FIGURE 5. CLK AS A FUNCTION OF F/\bar{C} , PCLK, X1, AND EFI DURING DYNAMIC FREQUENCY SWITCHING

NOTE: This is an asynchronous input. The setup and hold times shown are required to guarantee the response shown.

Burn-In Circuit



NOTES:

1. Supply Voltage: VCC = 5.5V, $\pm 0.5V$, GND = 0V. Driver Voltage: $V_{IH} = 4.5V \pm 10\%$, $V_{IL} = 0V$
2. Input Voltage Limits: $V_{IL} (\text{Max}) = 0.4V$, $V_{IH} (\text{Min}) = 2.6V$
3. Component Values: $R1 = 47k\Omega$, $C1 = 0.1\mu F$ (Min)
4. Oven type and frequency requirements microtest, F0 through F12.
5. Approximate current per unit. $I_{CC} = 0.3mA$.
6. Special requirements:
 - (a) Electrostatic Discharge Sensitive. Proper precautions must be used when handling units.
 - (b) All power supplies must be at zero volts when the boards are inserted into the ovens. After insertion, apply VCC first, then activate the driver power supplies.
7. Oscilloscope measurements: To be on loaded boards before insertion into the oven.

Die Characteristics

DIE DIMENSIONS:

63 mils x 69 mils x 19 mils \pm 1 mil

METALLIZATION:

Type: Silicon - Aluminum
Thickness: 8kÅ

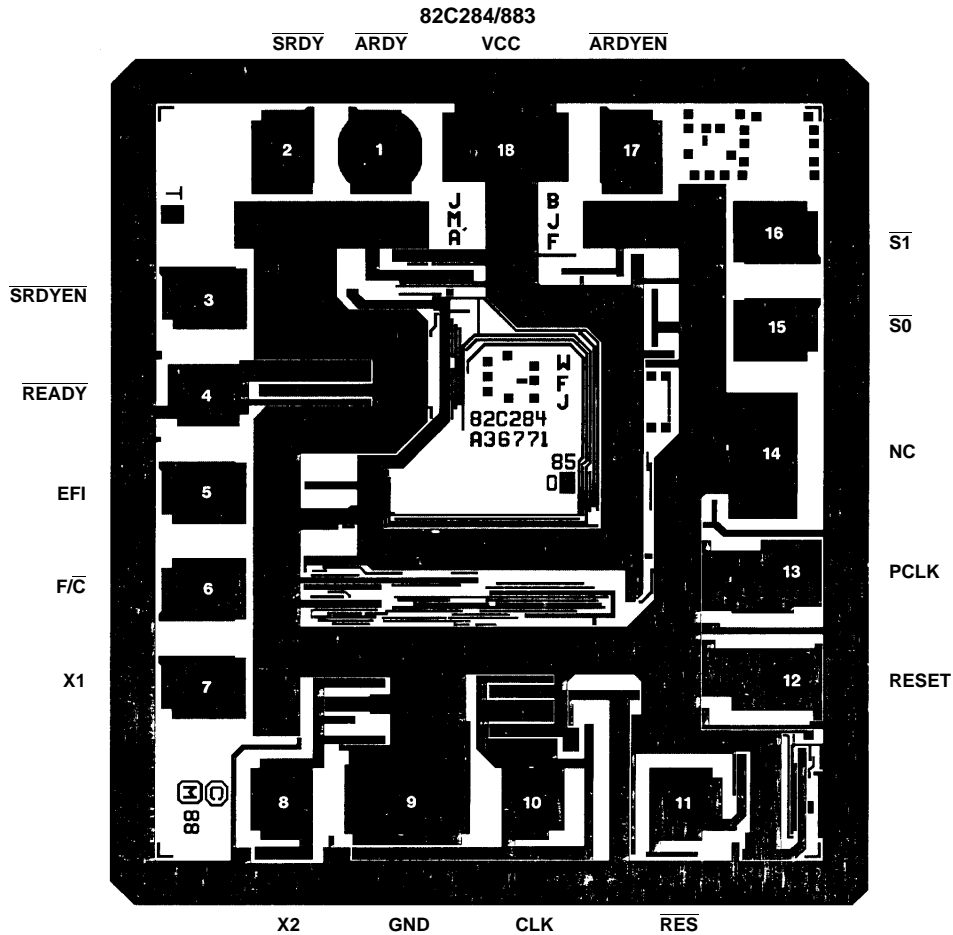
GLASSIVATION:

Type: Nitrox
Thickness: 10kÅ

WORST CASE CURRENT DENSITY:

2×10^5 A/cm²

Metallization Mask Layout



All Intersil U.S. products are manufactured, assembled and tested utilizing ISO9000 quality systems.
Intersil Corporation's quality certifications can be viewed at www.intersil.com/design/quality

Intersil products are sold by description only. Intersil Corporation reserves the right to make changes in circuit design, software and/or specifications at any time without notice. Accordingly, the reader is cautioned to verify that data sheets are current before placing orders. Information furnished by Intersil is believed to be accurate and reliable. However, no responsibility is assumed by Intersil or its subsidiaries for its use; nor for any infringements of patents or other rights of third parties which may result from its use. No license is granted by implication or otherwise under any patent or patent rights of Intersil or its subsidiaries.

For information regarding Intersil Corporation and its products, see www.intersil.com