

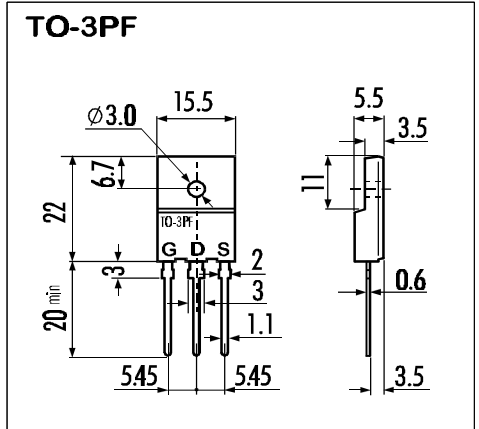
> Features

- High Speed Switching
- Low On-Resistance
- No Secondary Breakdown
- Low Driving Power
- High Voltage
- $V_{GS} = \pm 30V$ Guarantee
- Avalanche Proof

> Applications

- Switching Regulators
- UPS
- DC-DC converters
- General Purpose Power Amplifier

> Outline Drawing

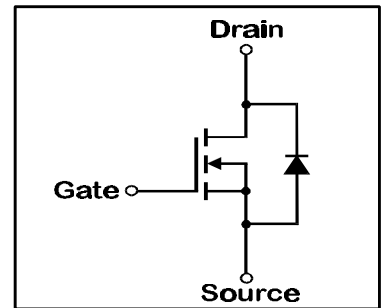


> Maximum Ratings and Characteristics

- Absolute Maximum Ratings ($T_C=25^\circ C$), unless otherwise specified

| Item | Symbol | Rating | Unit |
|---|---------------|------------|------------|
| Drain-Source-Voltage | V_{DS} | 600 | V |
| Drain-Gate-Voltage ($R_{GS}=20K\Omega$) | V_{DGR} | 600 | V |
| Continous Drain Current | I_D | 12 | A |
| Pulsed Drain Current | $I_{D(puls)}$ | 48 | A |
| Gate-Source-Voltage | V_{GS} | ± 30 | V |
| Max. Power Dissipation | P_D | 80 | W |
| Operating and Storage Temperature Range | T_{ch} | 150 | $^\circ C$ |
| | T_{stg} | -55 ~ +150 | $^\circ C$ |

> Equivalent Circuit



- Electrical Characteristics ($T_C=25^\circ C$), unless otherwise specified

| Item | Symbol | Test conditions | Min. | Typ. | Max. | Unit |
|--|---------------|---|------|------|------|----------|
| Drain-Source Breakdown-Voltage | $V_{(BR)DSS}$ | $I_D=1mA$ $V_{GS}=0V$ | 600 | | | V |
| Gate Threshold Voltage | $V_{GS(th)}$ | $I_D=1mA$ $V_{DS}=V_{GS}$ | 2,5 | 3,0 | 3,5 | V |
| Zero Gate Voltage Drain Current | I_{DSS} | $V_{DS}=600V$ $T_{ch}=25^\circ C$ | | 10 | 500 | μA |
| | | $V_{GS}=0V$ $T_{ch}=125^\circ C$ | | 0,2 | 1,0 | mA |
| Gate Source Leakage Current | I_{GSS} | $V_{GS}=\pm 30V$ $V_{DS}=0V$ | | 10 | 100 | nA |
| Drain Source On-State Resistance | $R_{DS(on)}$ | $I_D=6A$ $V_{GS}=10V$ | | 0,55 | 0,75 | Ω |
| Forward Transconductance | g_{fs} | $I_D=6A$ $V_{DS}=25V$ | 6 | 12 | | S |
| Input Capacitance | C_{iss} | $V_{DS}=25V$ | | 2500 | 3800 | pF |
| Output Capacitance | C_{oss} | $V_{GS}=0V$ | | 220 | 330 | pF |
| Reverse Transfer Capacitance | C_{rss} | $f=1MHz$ | | 50 | 75 | pF |
| Turn-On-Time t_{on} ($t_{on}=t_{d(on)}+t_r$) | $t_{d(on)}$ | $V_{CC}=300V$ | | 30 | 45 | ns |
| | | $I_D=12A$ | | 60 | 90 | ns |
| Turn-Off-Time t_{off} ($t_{off}=t_{d(off)}+t_f$) | $t_{d(off)}$ | $V_{GS}=10V$ | | 140 | 210 | ns |
| | | $R_{GS}=10\Omega$ | | 80 | 120 | ns |
| Avalanche Capability | I_{AV} | $L=100\mu H$ $T_{ch}=25^\circ C$ | 12 | | | A |
| Continous Reverse Drain Current | I_{DR} | | | | 12 | A |
| Pulsed Reverse Drain Current | I_{DRM} | | | | 48 | A |
| Diode Forward On-Voltage | V_{SD} | $I_F=2I_{DR}$ $V_{GS}=0V$ $T_{ch}=25^\circ C$ | | 1,05 | 1,58 | V |
| Reverse Recovery Time | t_{rr} | $I_F=I_{DR}$ $V_{GS}=0V$ | | 450 | | ns |
| Reverse Recovery Charge | Q_{rr} | $-di_F/dt=100A/\mu s$ $T_{ch}=25^\circ C$ | | 3 | | μC |

- Thermal Characteristics

| Item | Symbol | Test conditions | Min. | Typ. | Max. | Unit |
|--------------------|----------------|-----------------|------|------|------|--------------|
| Thermal Resistance | $R_{th(ch-a)}$ | channel to air | | | 30 | $^\circ C/W$ |
| | $R_{th(ch-c)}$ | channel to case | | | 1,56 | $^\circ C/W$ |

| | | | |
|-------------------|-------|-----|-----|
| N-channel MOS-FET | | | |
| 600V | 0,75Ω | 12A | 80W |

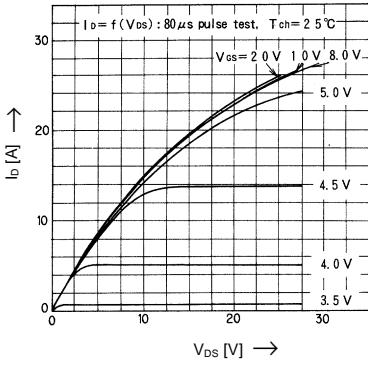
2SK2148-01R

FAP-IIA Series

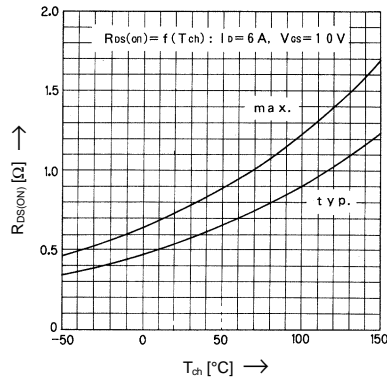


> Characteristics

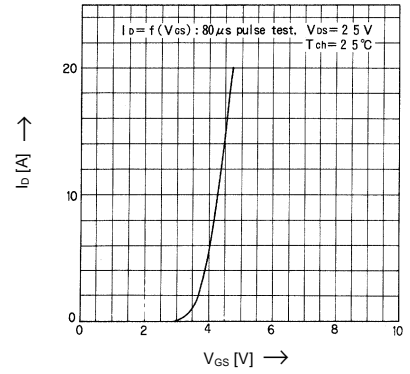
Typical Output Characteristics



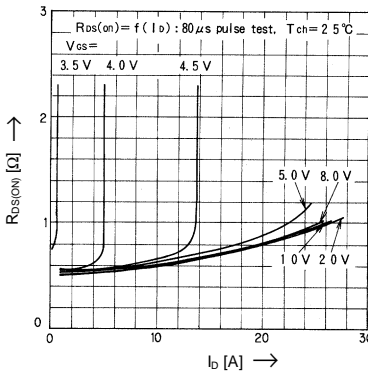
Drain-Source-On-State Resistance vs. T_{ch}



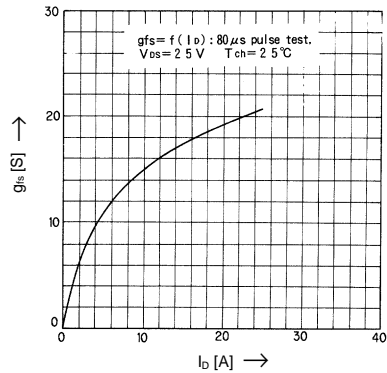
Typical Transfer Characteristics



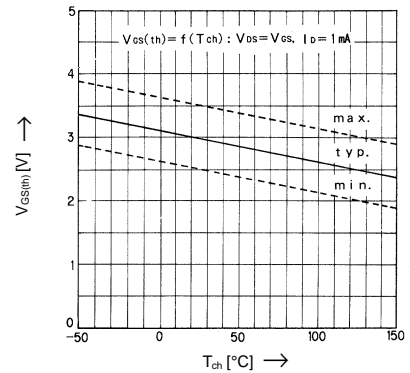
Typical Drain-Source-On-State-Resistance vs. I_D



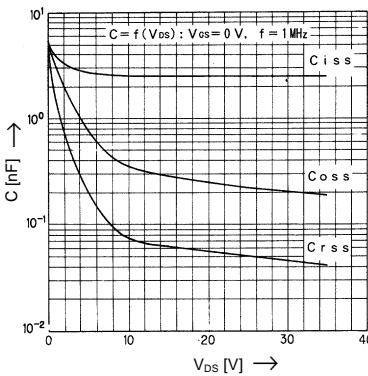
Typical Forward Transconductance vs. I_D



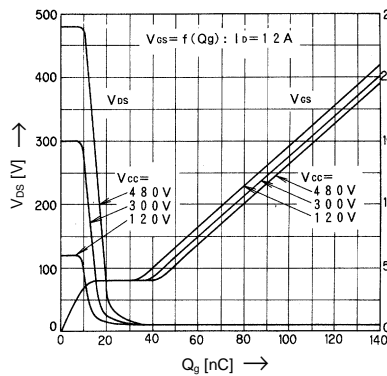
Gate Threshold Voltage vs. T_{ch}



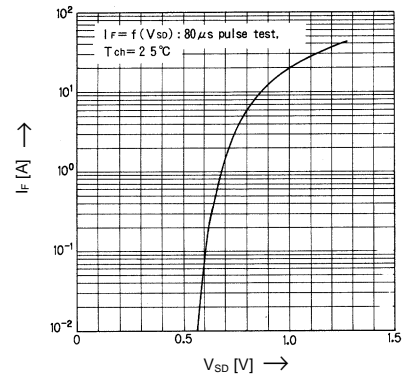
Typical Capacitance vs. V_{DS}



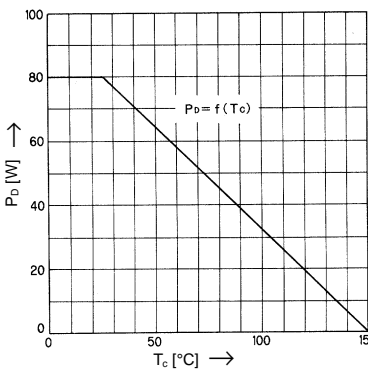
Typical Input Charge



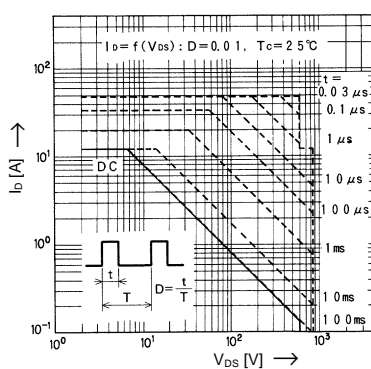
Forward Characteristics of Reverse Diode



Allowable Power Dissipation vs. T_C



Safe operation area



$Z_{th(j-c)}$

