

# AN3935NFHP

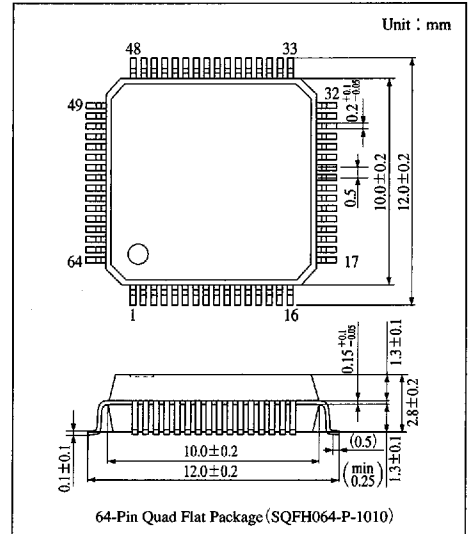
## FM Audio Signal Processor for Video Camera

### Overview

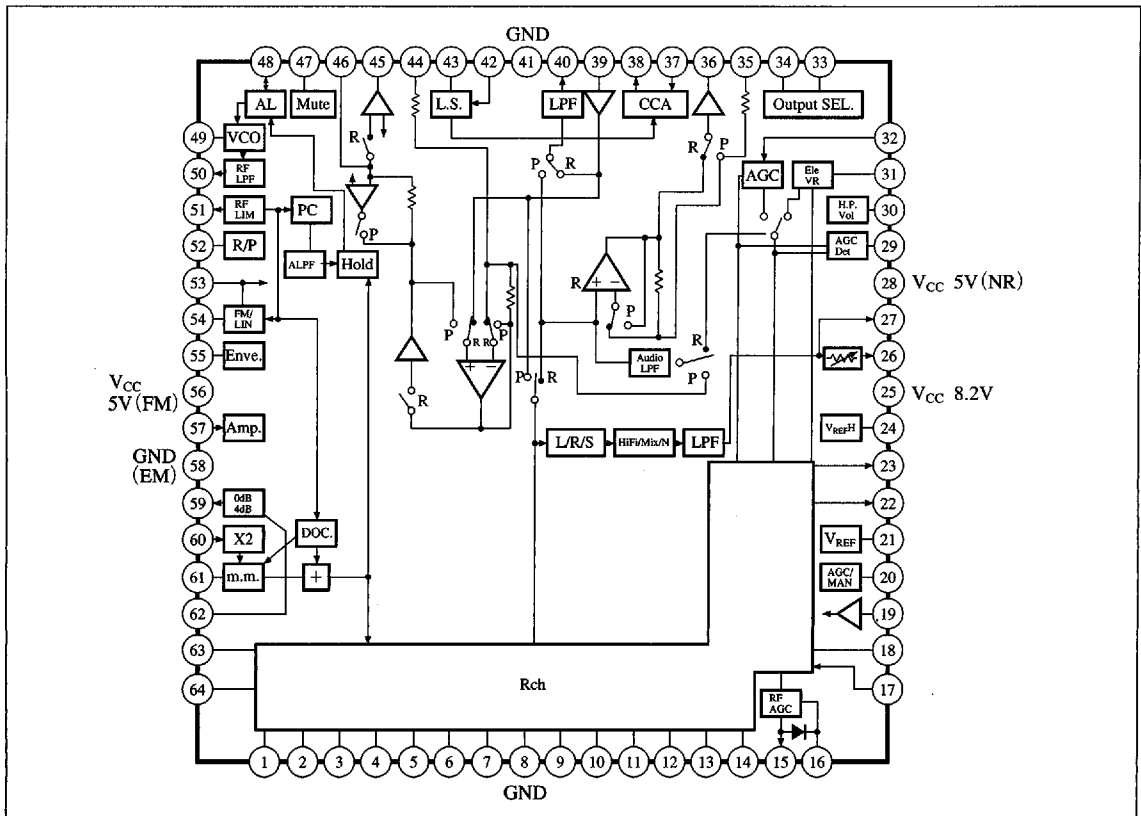
The AN3935NFHP is an FM audio signal processing IC developed for VCR video camera. In combination with a head amplifier, this IC can perform all the FM audio signal processings.

### Features

- Low operating voltage : 5V (5 to 8V variable for output stage only.)
- Low power consumption : 240mW (typ.) (at  $V_{CC}=5V$ ).
- Built-in high-performance electronic volume.
- Built-in various low-pass filter.
- Built-in low drift VCO circuit.
- Built-in low DC offset noise reduction circuit.



### Block Diagram



6932852 0014589 498