

Features

- Fast Read Access Time - 70 ns
- Five-Volt-Only Reprogramming
- Sector Program Operation
 - Single Cycle Reprogram (Erase and Program)
 - 1024 Sectors (128 bytes/sector)
 - Internal Address and Data Latches for 128 Bytes
- Internal Program Control and Timer
- Hardware and Software Data Protection
- Fast Sector Program Cycle Time - 10 ms
- DATA Polling for End of Program Detection
- Low Power Dissipation
 - 50 mA Active Current
 - 100 μ A CMOS Standby Current
- Typical Endurance > 10,000 Cycles
- Single 5 V \pm 10% Supply
- CMOS and TTL Compatible Inputs and Outputs
- Commercial and Industrial Temperature Ranges

**1 Megabit
(128K x 8)
5-Volt Only
CMOS Flash
PEROM**

5

Description

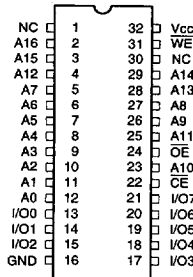
The AT29C010 is a five-volt-only in-system Flash programmable and erasable read only memory (PEROM). Its one megabit of memory is organized as 131,072 words by 8 bits. Manufactured with Atmel's advanced nonvolatile CMOS technology, the device offers access times to 70 ns with power dissipation of just 275 mW over the commercial temperature range. When the device is deselected, the CMOS standby current is less than 100 μ A. The device endurance is such that any sector can typically be written to in excess of 10,000 times.

(continued)

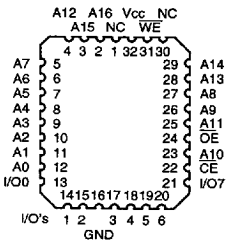
Pin Configurations

| Pin Name | Function |
|-----------------|---------------------|
| A0 - A16 | Addresses |
| \overline{CE} | Chip Enable |
| \overline{OE} | Output Enable |
| \overline{WE} | Write Enable |
| I/O0 - I/O7 | Data Inputs/Outputs |
| NC | No Connect |

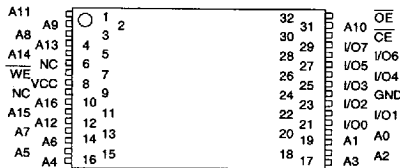
DIP Top View



PLCC and LCC Top View



TSOP Top View
Type 1



Note: PLCC package pin 30 is a **DON'T CONNECT**. Contact Atmel for availability of PLCC package with pin 30 as a **NO CONNECT**.



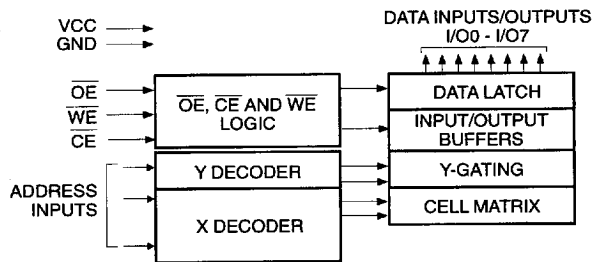
1074177 0008266 62T

Description (Continued)

To allow for simple in-system reprogrammability, the AT29C010 does not require high input voltages for programming. Five-volt-only commands determine the operation of the device. Reading data out of the device is similar to reading from an EPROM. Reprogramming the AT29C010 is performed on a sector basis; 128 bytes of data are loaded into the device and then simultaneously programmed.

During a reprogram cycle, the address locations and 128 bytes of data are internally latched, freeing the address and data bus for other operations. Following the initiation of a program cycle, the device will automatically erase the sector and then program the latched data using an internal control timer. The end of a program cycle can be detected by DATA polling of I/O7. Once the end of a program cycle has been detected, a new access for a read or program can begin.

Block Diagram



Device Operation

READ: The AT29C010 is accessed like an EPROM. When \overline{CE} and \overline{OE} are low and \overline{WE} is high, the data stored at the memory location determined by the address pins is asserted on the outputs. The outputs are put in the high impedance state whenever \overline{CE} or \overline{OE} is high. This dual-line control gives designers flexibility in preventing bus contention.

BYTE LOAD: Byte loads are used to enter the 128 bytes of a sector to be programmed or the software codes for data protection. A byte load is performed by applying a low pulse on the \overline{WE} or \overline{CE} input with \overline{CE} or \overline{WE} low (respectively) and \overline{OE} high. The address is latched on the falling edge of \overline{CE} or \overline{WE} , whichever occurs last. The data is latched by the first rising edge of \overline{CE} or \overline{WE} .

PROGRAM: The device is reprogrammed on a sector basis. If a byte of data within a sector is to be changed, data for the entire sector must be loaded into the device. Any byte that is not loaded during the programming of its sector will be erased to read FFh. Once the bytes of a sector are loaded into the device, they are simultaneously programmed during the internal programming period. After the first data byte has been loaded into the device, successive bytes are entered in the same manner. Each new byte to be programmed must have its high to low transition on \overline{WE} (or \overline{CE}) within 150 μ s of the low to high transition of \overline{WE} (or \overline{CE}) of the preceding byte. If a high to low transition is not detected within 150 μ s of the last low to high transition, the load period will end and the internal programming period will start. A7 to A16 specify the sector address. The sector address must be valid during each high to low transition of \overline{WE} (or \overline{CE}). A0 to A6 specify the byte address within the sector. The bytes may be loaded in any order; sequential loading is not required. Once a programming operation has been initiated, and

for the duration of t_{wc}, a read operation will effectively be a polling operation.

SOFTWARE DATA PROTECTION: A software controlled data protection feature is available on the AT29C010. Once the software protection is enabled a software algorithm must be issued to the device before a program may be performed. The software protection feature may be enabled or disabled by the user; when shipped from Atmel, the software data protection feature is disabled. To enable the software data protection, a series of three program commands to specific addresses with specific data must be performed. After the software data protection is enabled the same three program commands must begin each program cycle in order for the programs to occur. All software program commands must obey the sector program timing specifications. Once set, the software data protection feature remains active unless its disable command is issued. Power transitions will not reset the software data protection feature, however the software feature will guard against inadvertent program cycles during power transitions.

Once set, software data protection will remain active unless the disable command sequence is issued.

After setting SDP, any attempt to write to the device without the three-byte command sequence will start the internal write timers. No data will be written to the device; however, for the duration of t_{wc}, a read operation will effectively be a polling operation.

After the software data protection's three-byte command code is given, a byte load is performed by applying a low pulse on the \overline{WE} or \overline{CE} input with \overline{CE} or \overline{WE} low (respectively) and \overline{OE} high. The address is latched on the falling edge of \overline{CE} or \overline{WE} , which

(continued)

Device Operation (Continued)

ever occurs last. The data is latched by the first rising edge of \overline{CE} or \overline{WE} . The 128 bytes of data must be loaded into each sector by the same procedure as outlined in the program section under device operation.

HARDWARE DATA PROTECTION: Hardware features protect against inadvertent programs to the AT29C010 in the following ways: (a) V_{CC} sense—if V_{CC} is below 3.8 V (typical), the program function is inhibited. (b) V_{CC} power on delay—once V_{CC} has reached the V_{CC} sense level, the device will automatically time out 5 ms (typical) before programming. (c) Program inhibit—holding any one of \overline{OE} low, \overline{CE} high or \overline{WE} high inhibits program cycles. (d) Noise filter—pulses of less than 15 ns (typical) on the \overline{WE} or \overline{CE} inputs will not initiate a program cycle.

PRODUCT IDENTIFICATION: The product identification mode identifies the device and manufacturer as Atmel. It may be accessed by hardware or software operation. The hardware operation mode can be used by an external programmer to identify the correct programming algorithm for the Atmel product. In addition, users may wish to use the software product identification mode to identify the part (i.e. using the device code), and have the system software use the appropriate sector size for program operations. In this manner, the user can have a common

board design for 256K to 4-megabit densities and, with each density's sector size in a memory map, have the system software apply the appropriate sector size.

For details, see Operating Modes (for hardware operation) or Software Product Identification. The manufacturer and device code is the same for both modes.

DATA POLLING: The AT29C010 features \overline{DATA} polling to indicate the end of a program cycle. During a program cycle an attempted read of the last byte loaded will result in the complement of the loaded data on I/O7. Once the program cycle has been completed, true data is valid on all outputs and the next cycle may begin. \overline{DATA} polling may begin at any time during the program cycle.

TOGGLE BIT: In addition to \overline{DATA} polling the AT29C010 provides another method for determining the end of a program or erase cycle. During a program or erase operation, successive attempts to read data from the device will result in I/O6 toggling between one and zero. Once the program cycle has completed, I/O6 will stop toggling and valid data will be read. Examining the toggle bit may begin at any time during a program cycle.

OPTIONAL CHIP ERASE MODE: The entire device can be erased by using a six-byte software code. Please see Software Chip Erase application note for details.

5

Absolute Maximum Ratings*

| | |
|---|----------------------------|
| Temperature Under Bias..... | -55°C to +125°C |
| Storage Temperature..... | -65°C to +150°C |
| All Input Voltages (including N.C. Pins) with Respect to Ground | -0.6 V to +6.25 V |
| All Output Voltages with Respect to Ground | -0.6 V to $V_{CC} + 0.6$ V |
| Voltage on \overline{OE} with Respect to Ground | -0.6 V to +13.5 V |

*NOTICE: Stresses beyond those listed under "Absolute Maximum Ratings" may cause permanent damage to the device. This is a stress rating only and functional operation of the device at these or any other conditions beyond those indicated in the operational sections of this specification is not implied. Exposure to absolute maximum rating conditions for extended periods may affect device reliability.

Pin Capacitance (f = 1 MHz, T = 25°C) ⁽¹⁾

| | Typ | Max | Units | Conditions |
|------------------|-----|-----|-------|------------------------|
| C _{IN} | 4 | 6 | pF | V _{IN} = 0 V |
| C _{OUT} | 8 | 12 | pF | V _{OUT} = 0 V |

Note: 1. This parameter is characterized and is not 100% tested.





D.C. and A.C. Operating Range

| | | AT29C010-70 | AT29C010-90 | AT29C010-12 | AT29C010-15 | AT29C010-20 |
|------------------------------|------|-------------|--------------|--------------|--------------|--------------|
| Operating Temperature (Case) | Com. | 0°C - 70°C | 0°C - 70°C | 0°C - 70°C | 0°C - 70°C | 0°C - 70°C |
| | Ind. | | -40°C - 85°C | -40°C - 85°C | -40°C - 85°C | -40°C - 85°C |
| V _{CC} Power Supply | | 5 V ± 5% | 5 V ± 10% | 5 V ± 10% | 5 V ± 10% | 5 V ± 10% |

Operating Modes

| Mode | \overline{CE} | \overline{OE} | \overline{WE} | Ai | I/O |
|-------------------------|-----------------|------------------|-----------------|--|----------------------------------|
| Read | V _{IL} | V _{IL} | V _{IH} | Ai | D _{OUT} |
| Program ⁽²⁾ | V _{IL} | V _{IH} | V _{IL} | Ai | D _{IN} |
| 5V Chip Erase | V _{IL} | V _{IH} | V _{IL} | Ai | |
| Standby/Write Inhibit | V _{IH} | X ⁽¹⁾ | X | X | High Z |
| Program Inhibit | X | X | V _{IH} | | |
| Program Inhibit | X | V _{IL} | X | | |
| Output Disable | X | V _{IH} | X | | High Z |
| Product Identification | | | | | |
| Hardware | V _{IL} | V _{IL} | V _{IH} | A1-A16 = V _{IL} , A9 = V _{IH} , ⁽³⁾ A0 = V _{IL} | Manufacturer Code ⁽⁴⁾ |
| | | | | A1-A16 = V _{IL} , A9 = V _{IH} , ⁽³⁾ A0 = V _{IH} | Device Code ⁽⁴⁾ |
| Software ⁽⁵⁾ | | | | A0 = V _{IL} | Manufacturer Code ⁽⁴⁾ |
| | | | | A0 = V _{IH} | Device Code ⁽⁴⁾ |

Notes: 1. X can be V_{IL} or V_{IH}.

2. Refer to A.C. Programming Waveforms.

3. V_{IH} = 12.0 V ± 0.5 V.

4. Manufacturer Code: 1F, Device Code: D5

5. See details under Software Product Identification Entry/Exit.

D.C. Characteristics

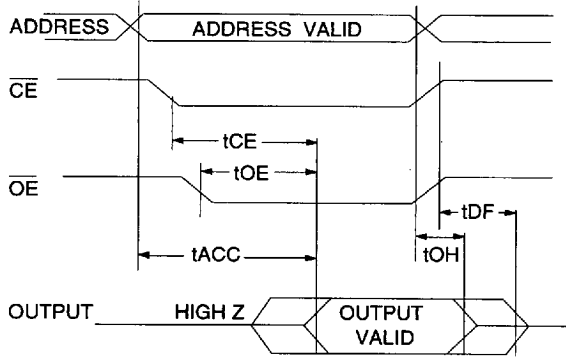
| Symbol | Parameter | Condition | Min | Max | Units |
|------------------|--------------------------------------|--|------|-----|-------|
| I _{LI} | Input Load Current | V _{IN} = 0 V to V _{CC} | | 10 | μA |
| I _{LO} | Output Leakage Current | V _{I/O} = 0 V to V _{CC} | | 10 | μA |
| I _{SB1} | V _{CC} Standby Current CMOS | $\overline{CE} = V_{CC} - 0.3V$ to V _{CC} | Com. | 100 | μA |
| | | | Ind. | 300 | μA |
| I _{SB2} | V _{CC} Standby Current TTL | $\overline{CE} = 2.0 V$ to V _{CC} | | 3 | mA |
| I _{CC} | V _{CC} Active Current | f = 5 MHz; I _{OUT} = 0 mA | | 50 | mA |
| V _{IL} | Input Low Voltage | | | 0.8 | V |
| V _{IH} | Input High Voltage | | 2.0 | | V |
| V _{OL} | Output Low Voltage | I _{OL} = 2.1 mA | | .45 | V |
| V _{OH1} | Output High Voltage | I _{OH} = -400 μA | 2.4 | | V |
| V _{OH2} | Output High Voltage CMOS | I _{OH} = -100 μA; V _{CC} = 4.5 V | 4.2 | | V |

A.C. Read Characteristics

| Symbol | Parameter | AT29C010-70 | | AT29C010-90 | | AT29C010-12 | | AT29C010-15 | | AT29C010-20 | | Units |
|------------------|---|-------------|-----|-------------|-----|-------------|-----|-------------|-----|-------------|-----|-------|
| | | Min | Max | Min | Max | Min | Max | Min | Max | Min | Max | |
| t_{ACC} | Address to Output Delay | | 70 | | 90 | | 120 | | 150 | | 200 | ns |
| $t_{CE}^{(1)}$ | \overline{CE} to Output Delay | | 70 | | 90 | | 120 | | 150 | | 200 | ns |
| $t_{OE}^{(2)}$ | \overline{OE} to Output Delay | 0 | 35 | 0 | 40 | 0 | 50 | 0 | 70 | 0 | 80 | ns |
| $t_{DF}^{(3,4)}$ | \overline{CE} or \overline{OE} to Output Float | 0 | 35 | 0 | 25 | 0 | 30 | 0 | 40 | 0 | 50 | ns |
| t_{OH} | Output Hold from \overline{OE} , \overline{CE} or Address, whichever occurred first | 0 | | 0 | | 0 | | 0 | | 0 | | ns |

5

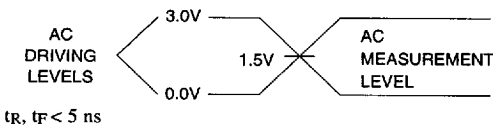
A.C. Read Waveforms ^(1,2,3,4)



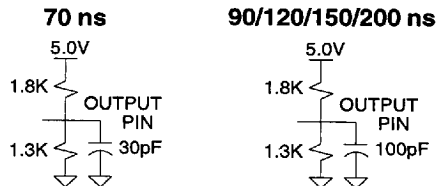
Notes:

- \overline{CE} may be delayed up to $t_{ACC} - t_{CE}$ after the address transition without impact on t_{ACC} .
- \overline{OE} may be delayed up to $t_{CE} - t_{OE}$ after the falling edge of \overline{CE} without impact on t_{CE} or by $t_{ACC} - t_{OE}$ after an address change without impact on t_{ACC} .
- t_{DF} is specified from \overline{OE} or \overline{CE} whichever occurs first ($C_L = 5pF$).
- This parameter is characterized and is not 100% tested.

Input Test Waveforms and Measurement Level



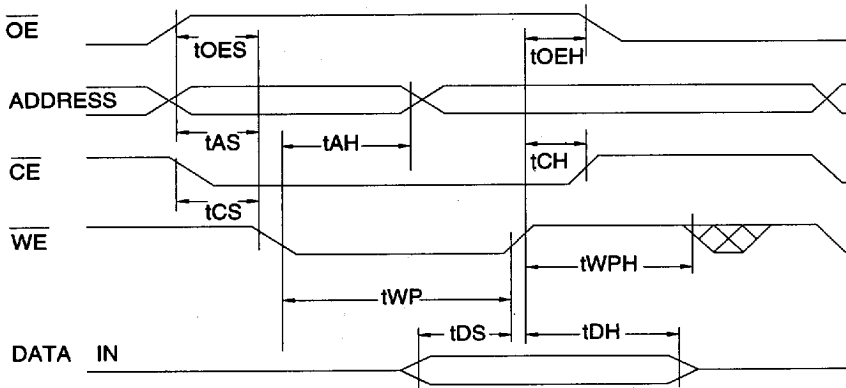
Output Test Load



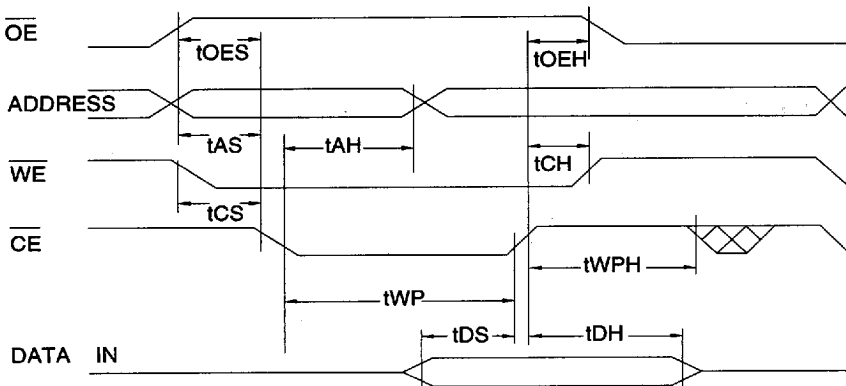
A.C. Byte Load Characteristics

| Symbol | Parameter | Min | Max | Units |
|-------------------|--|-----|-----|-------|
| t_{AS}, t_{OES} | Address, \overline{OE} Set-up Time | 0 | | ns |
| t_{AH} | Address Hold Time | 50 | | ns |
| t_{CS} | Chip Select Set-up Time | 0 | | ns |
| t_{CH} | Chip Select Hold Time | 0 | | ns |
| t_{WP} | Write Pulse Width (\overline{WE} or \overline{CE}) | 90 | | ns |
| t_{DS} | Data Set-up Time | 50 | | ns |
| t_{DH}, t_{OEH} | Data, \overline{OE} Hold Time | 0 | | ns |
| t_{WPH} | Write Pulse Width High | 100 | | ns |

A.C. Byte Load Waveforms- \overline{WE} Controlled



A.C. Byte Load Waveforms- \overline{CE} Controlled

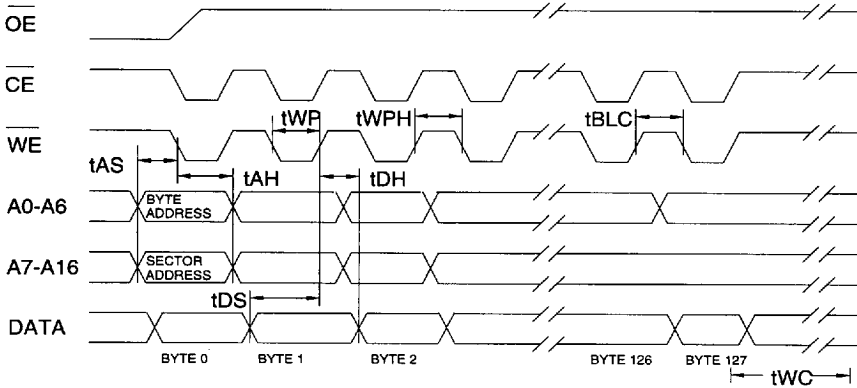


Program Cycle Characteristics

| Symbol | Parameter | Min | Max | Units |
|------------------|------------------------|-----|-----|-------|
| t _{WC} | Write Cycle Time | | 10 | ms |
| t _{AS} | Address Set-up Time | 0 | | ns |
| t _{AH} | Address Hold Time | 50 | | ns |
| t _{DS} | Data Set-up Time | 50 | | ns |
| t _{DH} | Data Hold Time | 0 | | ns |
| t _{WP} | Write Pulse Width | 90 | | ns |
| t _{BLC} | Byte Load Cycle Time | | 150 | μs |
| t _{WPH} | Write Pulse Width High | 100 | | ns |

5

Program Cycle Waveforms^(1,2,3)

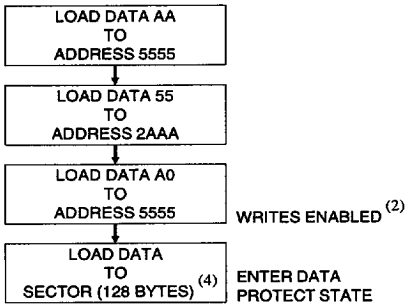


- Notes: 1. A7 through A16 must specify the sector address during each high to low transition of \overline{WE} (or \overline{CE}).
- 2. \overline{OE} must be high when \overline{WE} and \overline{CE} are both low.
- 3. All bytes that are not loaded within the sector being programmed will be erased to FF.

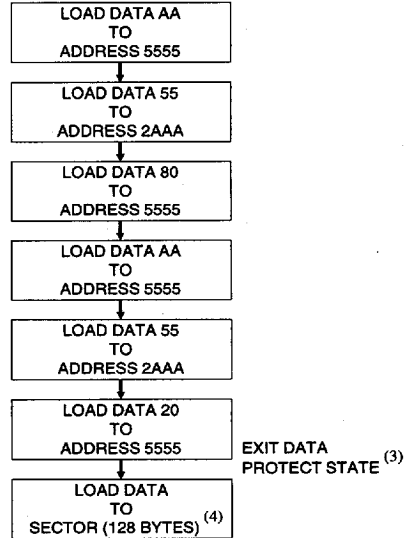


1074177 0008272 923

Software Data Protection Enable Algorithm ⁽¹⁾



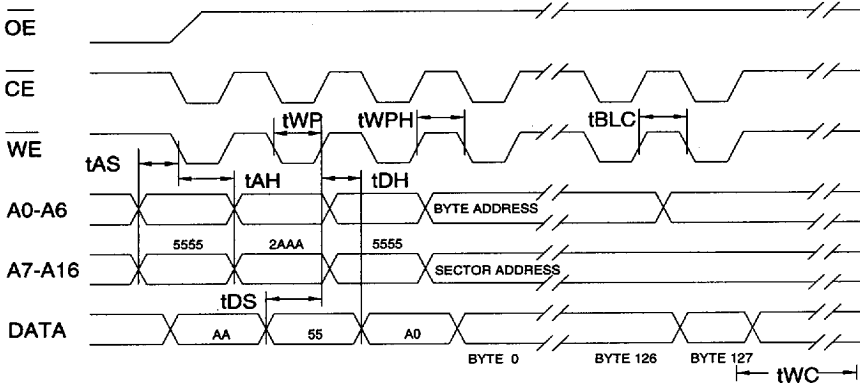
Software Data Protection Disable Algorithm ⁽¹⁾



Notes for software program code:

1. Data Format: I/O7 - I/O0 (Hex);
Address Format: A14 - A0 (Hex).
2. Data Protect state will be activated at end of program cycle.
3. Data Protect state will be deactivated at end of program period.
4. 128 bytes of data MUST BE loaded.

Software Protected Program Cycle Waveform ^(1,2,3)



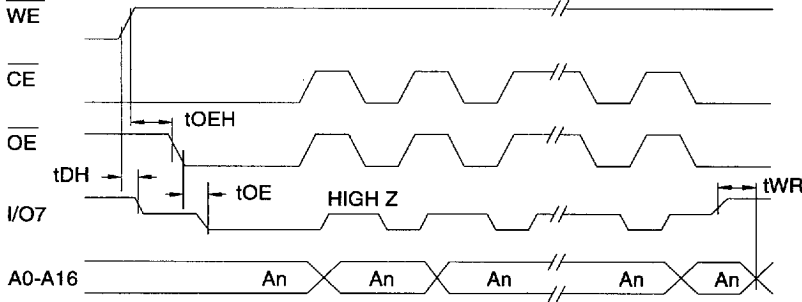
- Notes:
1. A7 through A16 must specify the sector address during each high to low transition of \overline{WE} (or \overline{CE}) after the software code has been entered.
 2. \overline{OE} must be high when \overline{WE} and \overline{CE} are both low.
 3. All bytes that are not loaded within the sector being programmed will be erased to FF.

Data Polling Characteristics⁽¹⁾

| Symbol | Parameter | Min | Typ | Max | Units |
|-------------------------------------|--|-----|-----|-----|-------|
| t _{DH} | Data Hold Time | 10 | | | ns |
| t _{OE\bar{H}} | \overline{OE} Hold Time | 10 | | | ns |
| t _{OE} | \overline{OE} to Output Delay ⁽²⁾ | | | | ns |
| t _{WR} | Write Recovery Time | 0 | | | ns |

Note: 1. These parameters are characterized and not 100% tested.
 2. See t_{OE} spec in A.C. Read Characteristics.

Data Polling Waveforms



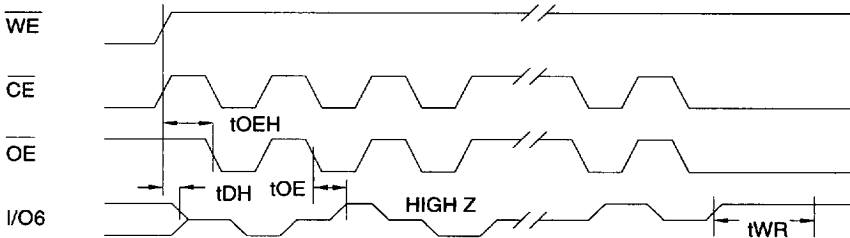
5

Toggle Bit Characteristics⁽¹⁾

| Symbol | Parameter | Min | Typ | Max | Units |
|-------------------------------------|--|-----|-----|-----|-------|
| t _{DH} | Data Hold Time | 10 | | | ns |
| t _{OE\bar{H}} | \overline{OE} Hold Time | 10 | | | ns |
| t _{OE} | \overline{OE} to Output Delay ⁽²⁾ | | | | ns |
| t _{OEHP} | \overline{OE} High Pulse | 150 | | | ns |
| t _{WR} | Write Recovery Time | 0 | | | ns |

Notes: 1. These parameters are characterized and not 100% tested.
 2. See t_{OE} spec in A.C. Read Characteristics.

Toggle Bit Waveforms^(1,2,3)

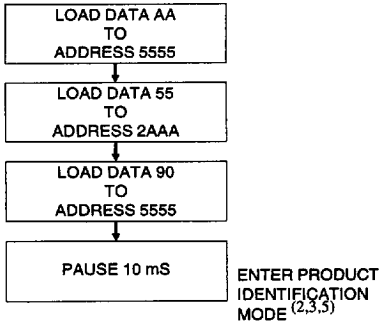


Notes:
 1. Toggling either \overline{OE} or \overline{CE} or both \overline{OE} and \overline{CE} will operate toggle bit.
 2. Beginning and ending state of I/O6 will vary.
 3. Any address location may be used but the address should not vary.

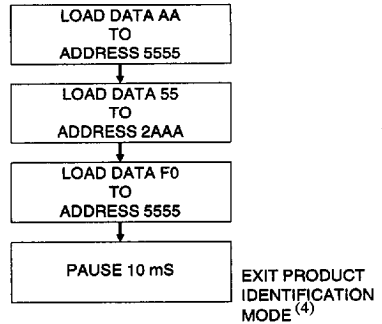


1074177 0008274 7T6

Software Product Identification Entry ⁽¹⁾



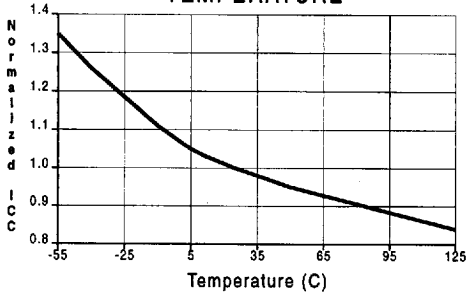
Software Product Identification Exit ⁽¹⁾



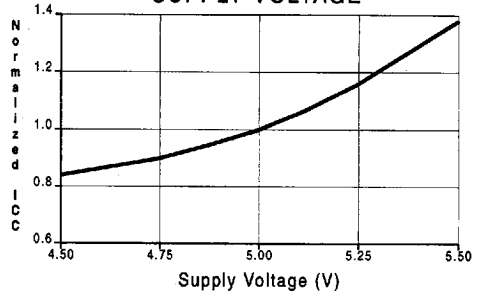
Notes for software product identification:

1. Data Format: I/O7 - I/O0 (Hex);
Address Format: A14 - A0 (Hex).
2. A1 - A16 = V_{IL}.
Manufacture Code is read for A0 = V_{IL};
Device Code is read for A0 = V_{IH}.
3. The device does not remain in identification mode if powered down.
4. The device returns to standard operation mode.
5. Manufacturer Code: 1F
Device Code: D5

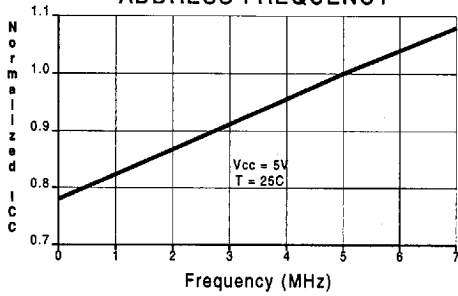
NORMALIZED SUPPLY CURRENT vs. TEMPERATURE



NORMALIZED SUPPLY CURRENT vs. SUPPLY VOLTAGE



NORMALIZED SUPPLY CURRENT vs. ADDRESS FREQUENCY



1074177 0008276 579



Ordering Information

| tACC (ns) | Icc (mA) | | Ordering Code | Package | Operation Range |
|--------------|----------|---------|---|-----------------------------------|------------------------------|
| | Active | Standby | | | |
| 70 | 50 | 0.1 | AT29C010-70JC AT29C010-70PC AT29C010-70TC | 32J 32P6 32T | Commercial (0° to 70°C) |
| 90 | 50 | 0.1 | AT29C010-90DC AT29C010-90JC AT29C010-90LC AT29C010-90PC AT29C010-90TC | 32D6 32J 32L 32P6 32T | Commercial (0° to 70°C) |
| 90 | 50 | 0.3 | AT29C010-90DI AT29C010-90JI AT29C010-90LI AT29C010-90PI | 32D6 32J 32L 32P6 | Industrial (-40° to 85°C) |
| 120 | 50 | 0.1 | AT29C010-12DC AT29C010-12JC AT29C010-12LC AT29C010-12PC AT29C010-12TC | 32D6 32J 32L 32P6 32T | Commercial (0° to 70°C) |
| 120 | 50 | 0.3 | AT29C010-12DI AT29C010-12JI AT29C010-12LI AT29C010-12PI | 32D6 32J 32L 32P6 | Industrial (-40° to 85°C) |
| 150 | 50 | 0.1 | AT29C010-15DC AT29C010-15JC AT29C010-15LC AT29C010-15PC AT29C010-15TC | 32D6 32J 32L 32P6 32T | Commercial (0° to 70°C) |
| 150 | 50 | 0.3 | AT29C010-15DI AT29C010-15JI AT29C010-15LI AT29C010-15PI | 32D6 32J 32L 32P6 | Industrial (-40° to 85°C) |
| 200 | 50 | 0.1 | AT29C010-20DC AT29C010-20JC AT29C010-20LC AT29C010-20PC | 32D6 32J 32L 32P6 | Commercial (0° to 70°C) |
| 200 | 50 | 0.3 | AT29C010-20DI AT29C010-20JI AT29C010-20LI AT29C010-20PI | 32D6 32J 32L 32P6 | Industrial (-40° to 85°C) |

| Package Type | |
|--------------|--|
| 32D6 | 32 Lead, 0.600" Wide, Non-Windowed, Ceramic Dual Inline Package (Cerdip) |
| 32J | 32 Lead, Plastic J-Leaded Chip Carrier (PLCC) |
| 32L | 32 Pad, Non-Windowed, Ceramic Leadless Chip Carrier (LCC) |
| 32P6 | 32 Lead, 0.600" Wide, Plastic Dual Inline Package (PDIP) |
| 32T | 32 Lead, Thin Small Outline Package (TSOP) |

5-50

AT29C010

1074177 0008277 405