

# DATA SHEET

## **NE5517/NE5517A/AU5517** Dual operational transconductance amplifier

Product data  
Replaces NE5517/NE5517A dated 2001 Aug 03

2002 Dec 06

# Dual operational transconductance amplifier

# NE5517/NE5517A/ AU5517

## DESCRIPTION

The AU5517 and NE5517 contain two current-controlled transconductance amplifiers, each with a differential input and push-pull output. The AU5517/NE5517 offers significant design and performance advantages over similar devices for all types of programmable gain applications. Circuit performance is enhanced through the use of linearizing diodes at the inputs which enable a 10 dB signal-to-noise improvement referenced to 0.5% THD. The AU5517/NE5517 is suited for a wide variety of industrial and consumer applications.

Constant impedance buffers on the chip allow general use of the AU5517/NE5517. These buffers are made of Darlington transistors and a biasing network that virtually eliminate the change of offset voltage due to a burst in the bias current  $I_{ABC}$ , hence eliminating the audible noise that could otherwise be heard in high quality audio applications.

## FEATURES

- Constant impedance buffers
- $\Delta V_{BE}$  of buffer is constant with amplifier  $I_{BIAS}$  change
- Excellent matching between amplifiers
- Linearizing diodes
- High output signal-to-noise ratio

## APPLICATIONS

- Multiplexers
- Timers
- Electronic music synthesizers
- Dolby™ HX Systems
- Current-controlled amplifiers, filters
- Current-controlled oscillators, impedances

## PIN CONFIGURATION

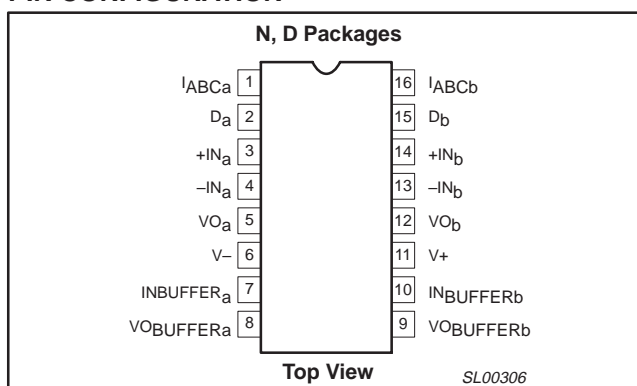


Figure 1. Pin Configuration

## PIN DESIGNATION

PIN NO.	SYMBOL	NAME AND FUNCTION
1	$I_{ABCa}$	Amplifier bias input A
2	$D_a$	Diode bias A
3	$+IN_a$	Non-inverting input A
4	$-IN_a$	Inverting input A
5	$V_{Oa}$	Output A
6	$V-$	Negative supply
7	$IN_{BUFFERa}$	Buffer input A
8	$VO_{BUFFERa}$	Buffer output A
9	$VO_{BUFFERb}$	Buffer output B
10	$IN_{BUFFERb}$	Buffer input B
11	$V+$	Positive supply
12	$V_{Ob}$	Output B
13	$-IN_b$	Inverting input B
14	$+IN_b$	Non-inverting input B
15	$D_b$	Diode bias B
16	$I_{ABCb}$	Amplifier bias input B

## ORDERING INFORMATION

DESCRIPTION	TEMPERATURE RANGE	ORDER CODE	DWG #
16-Pin Plastic Dual In-Line Package (DIP)	0 to +70 °C	NE5517N	SOT38-4
16-Pin Plastic Dual In-Line Package (DIP)	0 to +70 °C	NE5517AN	SOT38-4
16-Pin Small Outline (SO) Package	0 to +70 °C	NE5517D	SOT109-1
16-Pin Small Outline (SO) Package	-40 to +125 °C	AU5517D	SOT109-1

Dolby is a registered trademark of Dolby Laboratories Inc., San Francisco, Calif.

# Dual operational transconductance amplifier

NE5517/NE5517A/  
AU5517

## CIRCUIT SCHEMATIC

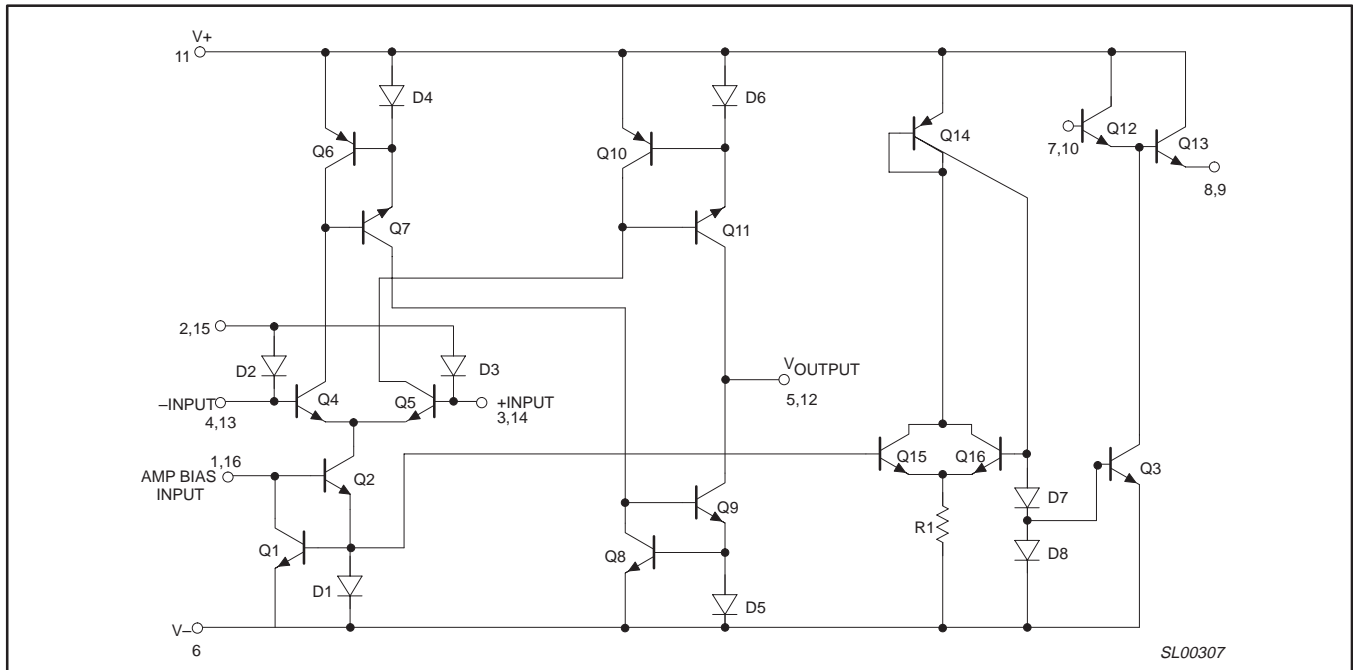


Figure 2. Circuit Schematic

## CONNECTION DIAGRAM

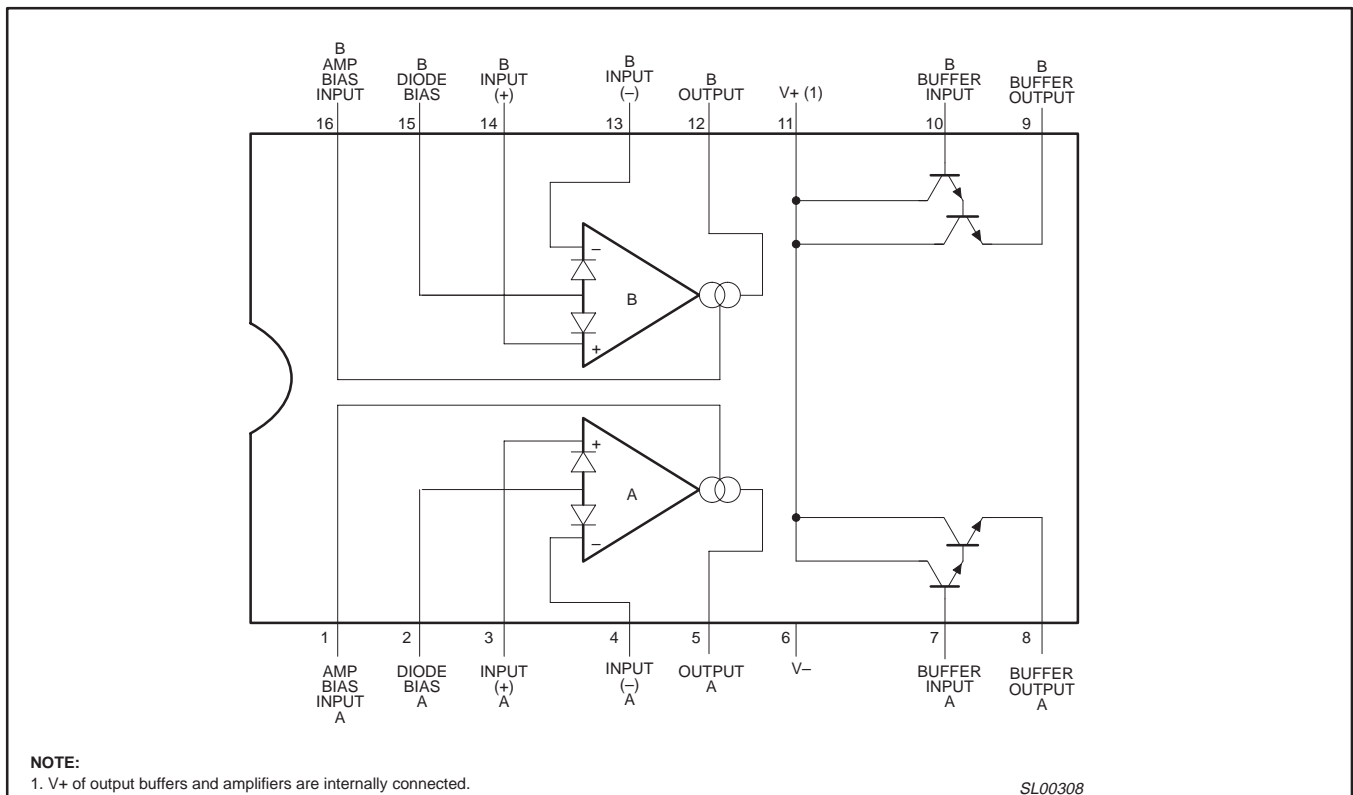


Figure 3. Connection Diagram

## Dual operational transconductance amplifier

NE5517/NE5517A/  
AU5517**ABSOLUTE MAXIMUM RATINGS**

SYMBOL	PARAMETER	RATING	UNIT
$V_S$	Supply voltage <sup>1</sup>	44 $V_{DC}$ or $\pm 22$	V
$P_D$	Power dissipation, $T_{amb} = 25\text{ }^\circ\text{C}$ (still air) <sup>2</sup>		
	NE5517N, NE5517AN	1500	mW
	NE5517D, AU5517D	1125	mW
$V_{IN}$	Differential input voltage	$\pm 5$	V
$I_D$	Diode bias current	2	mA
$I_{ABC}$	Amplifier bias current	2	mA
$I_{SC}$	Output short-circuit duration	Indefinite	
$I_{OUT}$	Buffer output current <sup>3</sup>	20	mA
$T_{amb}$	Operating temperature range		
	NE5517N, NE5517AN	0 $^\circ\text{C}$ to +70 $^\circ\text{C}$	$^\circ\text{C}$
	AU5517D	-40 $^\circ\text{C}$ to +125 $^\circ\text{C}$	$^\circ\text{C}$
$V_{DC}$	DC input voltage	$+V_S$ to $-V_S$	
$T_{stg}$	Storage temperature range	-65 $^\circ\text{C}$ to +150 $^\circ\text{C}$	$^\circ\text{C}$
$T_{sld}$	Lead soldering temperature (10 sec max)	230	$^\circ\text{C}$

**NOTES:**

- For selections to a supply voltage above  $\pm 22$  V, contact factory
- The following derating factors should be applied above 25  $^\circ\text{C}$   
N package at 12.0 mW/ $^\circ\text{C}$   
D package at 9.0 mW/ $^\circ\text{C}$
- Buffer output current should be limited so as to not exceed package dissipation.

## Dual operational transconductance amplifier

NE5517/NE5517A/  
AU5517DC ELECTRICAL CHARACTERISTICS<sup>1</sup>

SYMBOL	PARAMETER	TEST CONDITIONS	AU5517/NE5517			NE5517A			UNIT	
			Min	Typ	Max	Min	Typ	Max		
V <sub>OS</sub>	Input offset voltage	Over temperature range I <sub>ABC</sub> 5 μA		0.4	5		0.4	2	mV	
				0.3	5		0.3	5	mV	
									2	mV
	ΔV <sub>OS</sub> /ΔT	Avg. TC of input offset voltage		7			7		μV/°C	
	V <sub>OS</sub> including diodes	Diode bias current (I <sub>D</sub> ) = 500 μA		0.5	5		0.5	2	mV	
V <sub>OS</sub>	Input offset change	5 μA ≤ I <sub>ABC</sub> ≤ 500 μA		0.1			0.1	3	mV	
I <sub>OS</sub>	Input offset current			0.1	0.6		0.1	0.6	μA	
	ΔI <sub>OS</sub> /ΔT	Avg. TC of input offset current		0.001			0.001		μA/°C	
I <sub>BIAS</sub>	Input bias current	Over temperature range		0.4	5		0.4	5	μA	
				1	8		1	7	μA	
	ΔI <sub>B</sub> /ΔT	Avg. TC of input current		0.01			0.01		μA/°C	
g <sub>M</sub>	Forward transconductance	Over temperature range	6700	9600	1300	7700	9600	1200	μmho	
			5400			4000				μmho
				0.3			0.3			dB
I <sub>OUT</sub>	Peak output current	R <sub>L</sub> = 0, I <sub>ABC</sub> = 5 μA		5		3	5	7	μA	
		R <sub>L</sub> = 0, I <sub>ABC</sub> = 500 μA	350	500	650	350	500	650	μA	
		R <sub>L</sub> = 0	300			300			μA	
V <sub>OUT</sub>	Peak output voltage	R <sub>L</sub> = ∞, 5 μA ≤ I <sub>ABC</sub> ≤ 500 μA	+12	+14.2		+12	+14.2		V	
			-12	-14.4		-12	-14.4		V	
I <sub>CC</sub>	Supply current	I <sub>ABC</sub> = 500 μA, both channels		2.6	4		2.6	4	mA	
	V <sub>OS</sub> sensitivity	ΔV <sub>OS</sub> /ΔV+		20	150		20	150	μV/V	
				20	150		20	150	μV/V	
CMRR	Common-mode rejection ration		80	110		80	110		dB	
	Common-mode range		±12	±13.5		±12	±13.5		V	
	Crosstalk	Referred to input <sup>2</sup> 20 Hz < f < 20 kHz		100			100		dB	
I <sub>IN</sub>	Differential input current	I <sub>ABC</sub> = 0, input = ±4 V		0.02	100		0.02	10	nA	
	Leakage current	I <sub>ABC</sub> = 0 (Refer to test circuit)		0.2	100		0.2	5	nA	
R <sub>IN</sub>	Input resistance		10	26		10	26		kΩ	
B <sub>W</sub>	Open-loop bandwidth			2			2		MHz	
SR	Slew rate	Unity gain compensated		50			50		V/μs	
I <sub>N</sub> BUFFER	Buffer input current	5		0.4	5		0.4	5	μA	
V <sub>O</sub> BUFFER	Peak buffer output voltage	5	10			10			V	
	ΔV <sub>BE</sub> of buffer	Refer to Buffer V <sub>BE</sub> test circuit <sup>3</sup>		0.5	5		0.5	5	mV	

## NOTES:

- These specifications apply for V<sub>S</sub> = ±15 V, T<sub>amb</sub> = 25 °C, amplifier bias current (I<sub>ABC</sub>) = 500 μA, Pins 2 and 15 open unless otherwise specified. The inputs to the buffers are grounded and outputs are open.
- These specifications apply for V<sub>S</sub> = ±15 V, I<sub>ABC</sub> = 500 μA, R<sub>OUT</sub> = 5 kΩ connected from the buffer output to -V<sub>S</sub> and the input of the buffer is connected to the transconductance amplifier output.
- V<sub>S</sub> = ±15, R<sub>OUT</sub> = 5 kΩ connected from Buffer output to -V<sub>S</sub> and 5 μA ≤ I<sub>ABC</sub> ≤ 500 μA.

# Dual operational transconductance amplifier

NE5517/NE5517A/  
AU5517

## TYPICAL PERFORMANCE CHARACTERISTICS

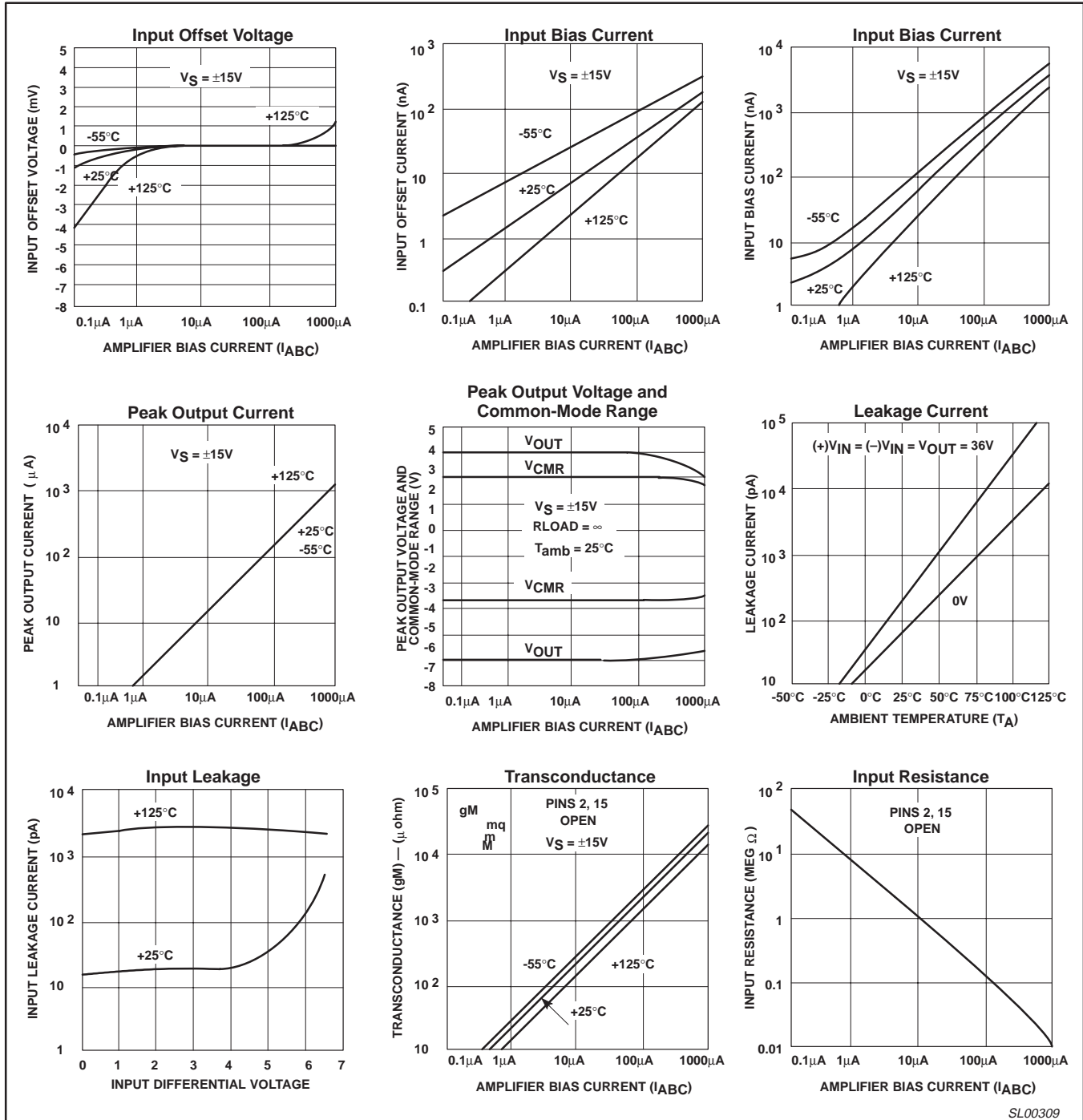
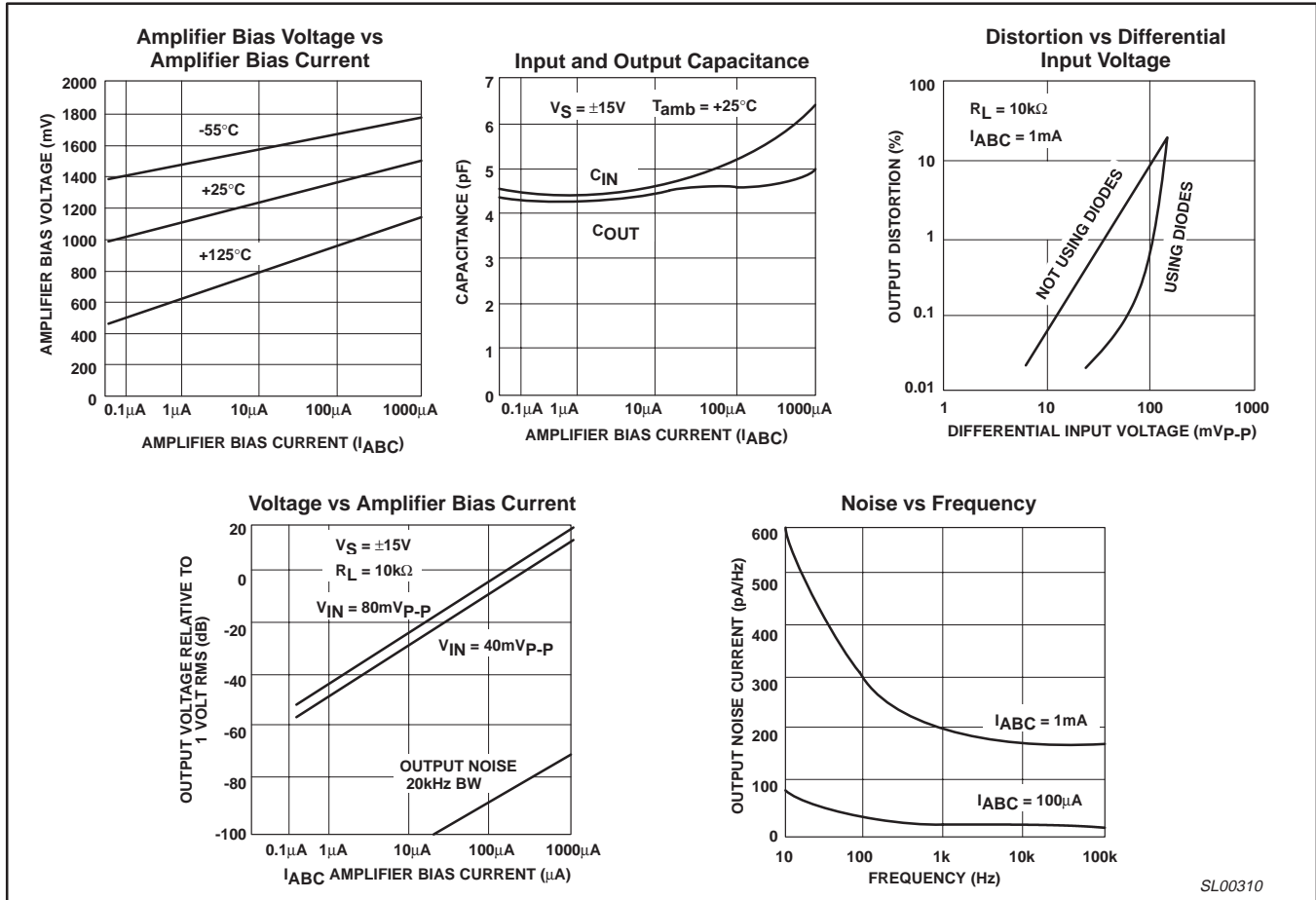


Figure 4. Typical Performance Characteristics

# Dual operational transconductance amplifier

NE5517/NE5517A/  
AU5517

## TYPICAL PERFORMANCE CHARACTERISTICS (Continued)



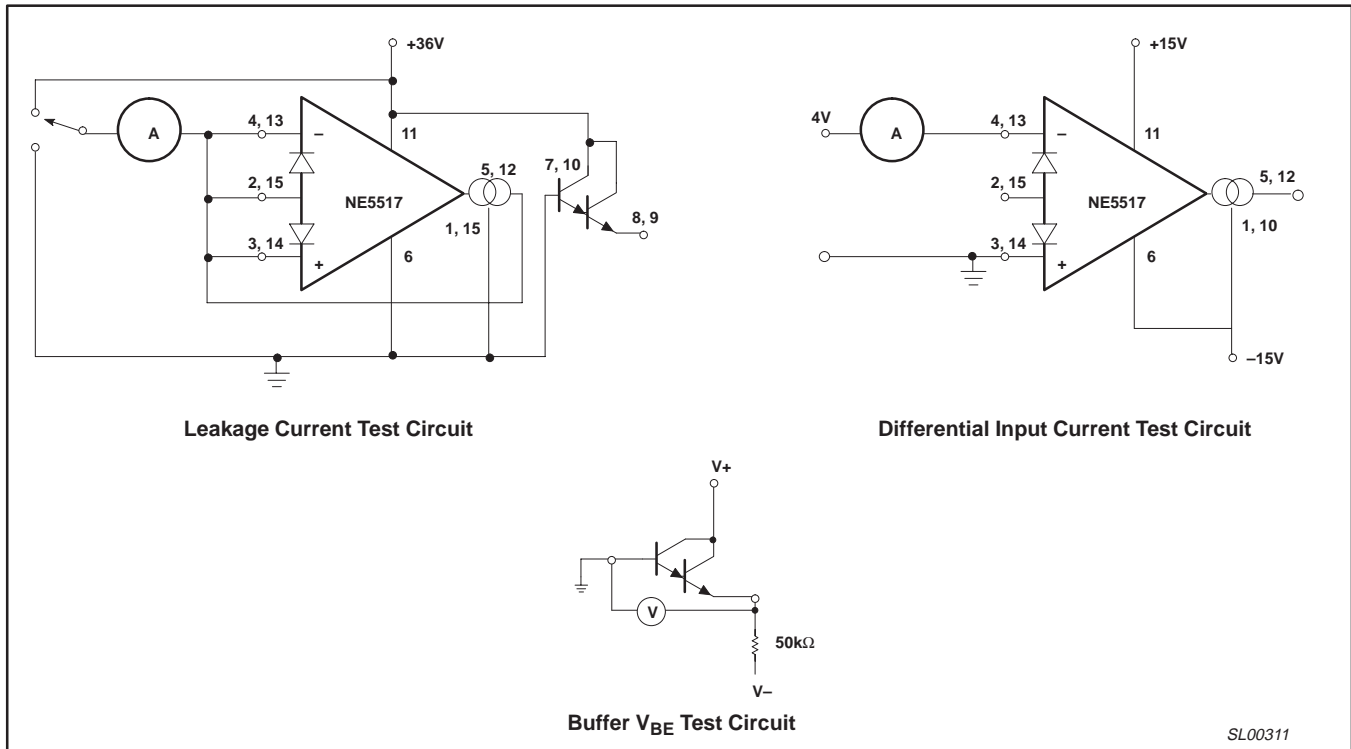
SL00310

Figure 5. Typical Performance Characteristics (cont.)

# Dual operational transconductance amplifier

NE5517/NE5517A/  
AU5517

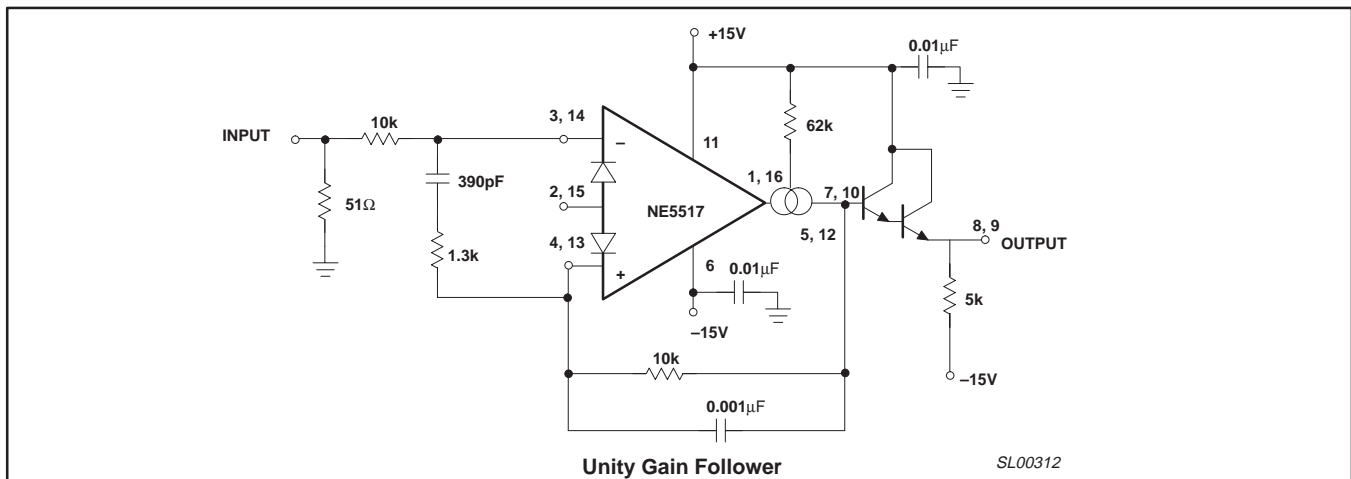
## TYPICAL PERFORMANCE CHARACTERISTICS (Continued)



SL00311

Figure 6. Typical Performance Characteristics (cont.)

## APPLICATIONS



SL00312

Figure 7. Applications



## Dual operational transconductance amplifier

NE5517/NE5517A/  
AU5517**CIRCUIT DESCRIPTION**

The circuit schematic diagram of one-half of the AU5517/NE5517, a dual operational transconductance amplifier with linearizing diodes and impedance buffers, is shown in Figure 8.

**1. Transconductance Amplifier**

The transistor pair, Q<sub>4</sub> and Q<sub>5</sub>, forms a transconductance stage. The ratio of their collector currents (I<sub>4</sub> and I<sub>5</sub>, respectively) is defined by the differential input voltage, V<sub>IN</sub>, which is shown in equation 1.

$$V_{IN} = \frac{KT}{q} \ln \frac{I_5}{I_4} \quad (1)$$

Where V<sub>IN</sub> is the difference of the two input voltages

$$KT \approx 26 \text{ mV at room temperature (300 °K)}.$$

Transistors Q<sub>1</sub>, Q<sub>2</sub> and diode D<sub>1</sub> form a current mirror which focuses the sum of current I<sub>4</sub> and I<sub>5</sub> to be equal to amplifier bias current I<sub>B</sub>:

$$I_4 + I_5 = I_B \quad (2)$$

If V<sub>IN</sub> is small, the ratio of I<sub>5</sub> and I<sub>4</sub> will approach unity and the Taylor series of ln function can be approximated as

$$\frac{KT}{q} \ln \frac{I_5}{I_4} \approx \frac{KT}{q} \frac{I_5 - I_4}{I_4} \quad (3)$$

and I<sub>4</sub> ≈ I<sub>5</sub> ≈ I<sub>B</sub>

$$\frac{KT}{q} \ln \frac{I_5}{I_4} \approx \frac{KT}{q} \frac{I_5 - I_4}{1/2 I_B} = \frac{2KT}{q} \frac{I_5 - I_4}{I_B} = V_{IN} \quad (4)$$

$$I_5 - I_4 = V_{IN} \frac{(I_B)^q}{2KT}$$

The remaining transistors (Q<sub>6</sub> to Q<sub>11</sub>) and diodes (D<sub>4</sub> to D<sub>6</sub>) form three current mirrors that produce an output current equal to I<sub>5</sub> minus I<sub>4</sub>. Thus:

$$V_{IN} \left( I_B \frac{q}{2KT} \right) = I_O \quad (5)$$

The term  $\frac{(I_B)^q}{2KT}$  is then the transconductance of the amplifier and is proportional to I<sub>B</sub>.

**2. Linearizing Diodes**

For V<sub>IN</sub> greater than a few millivolts, equation 3 becomes invalid and the transconductance increases non-linearly. Figure 9 shows how the internal diodes can linearize the transfer function of the operational amplifier. Assume D<sub>2</sub> and D<sub>3</sub> are biased with current sources and the input signal current is I<sub>S</sub>. Since

I<sub>4</sub> + I<sub>5</sub> = I<sub>B</sub> and I<sub>5</sub> - I<sub>4</sub> = I<sub>O</sub>, that is:

$$I_4 = (I_B - I_O), I_5 = (I_B + I_O)$$

For the diodes and the input transistors that have identical geometries and are subject to similar voltages and temperatures, the following equation is true:

$$\frac{T}{q} \ln \frac{\frac{I_D}{2} + I_S}{\frac{I_D}{2} - I_S} = \frac{KT}{q} \ln \frac{1/2(I_B + I_O)}{1/2(I_B - I_O)} \quad (6)$$

$$I_O = I_S \frac{2I_D}{I_D} \text{ for } |I_S| < \frac{I_D}{2}$$

The only limitation is that the signal current should not exceed I<sub>D</sub>.

**3. Impedance Buffer**

The upper limit of transconductance is defined by the maximum value of I<sub>B</sub> (2 mA). The lowest value of I<sub>B</sub> for which the amplifier will function therefore determines the overall dynamic range. At low values of I<sub>B</sub>, a buffer with very low input bias current is desired. A Darlington amplifier with constant-current source (Q<sub>14</sub>, Q<sub>15</sub>, Q<sub>16</sub>, D<sub>7</sub>, D<sub>8</sub>, and R<sub>1</sub>) suits the need.

**APPLICATIONS****Voltage-Controlled Amplifier**

In Figure 10, the voltage divider R<sub>2</sub>, R<sub>3</sub> divides the input-voltage into small values (mV range) so the amplifier operates in a linear manner.

It is:

$$I_{OUT} = -V_{IN} \cdot \frac{R_3}{R_2 + R_3} \cdot g_M;$$

$$V_{OUT} = I_{OUT} \cdot R_L;$$

$$A = \frac{V_{OUT}}{V_{IN}} = \frac{R_3}{R_2 + R_3} \cdot g_M \cdot R_L$$

$$(3) g_M = 19.2 I_{ABC}$$

(g<sub>M</sub> in μmhos for I<sub>ABC</sub> in mA)

Since g<sub>M</sub> is directly proportional to I<sub>ABC</sub>, the amplification is controlled by the voltage V<sub>C</sub> in a simple way.

When V<sub>C</sub> is taken relative to -V<sub>CC</sub> the following formula is valid:

$$I_{ABC} = \frac{(V_C - 1.2V)}{R_1}$$

The 1.2 V is the voltage across two base-emitter baths in the current mirrors. This circuit is the base for many applications of the AU5517/NE5517.

# Dual operational transconductance amplifier

# NE5517/NE5517A/ AU5517

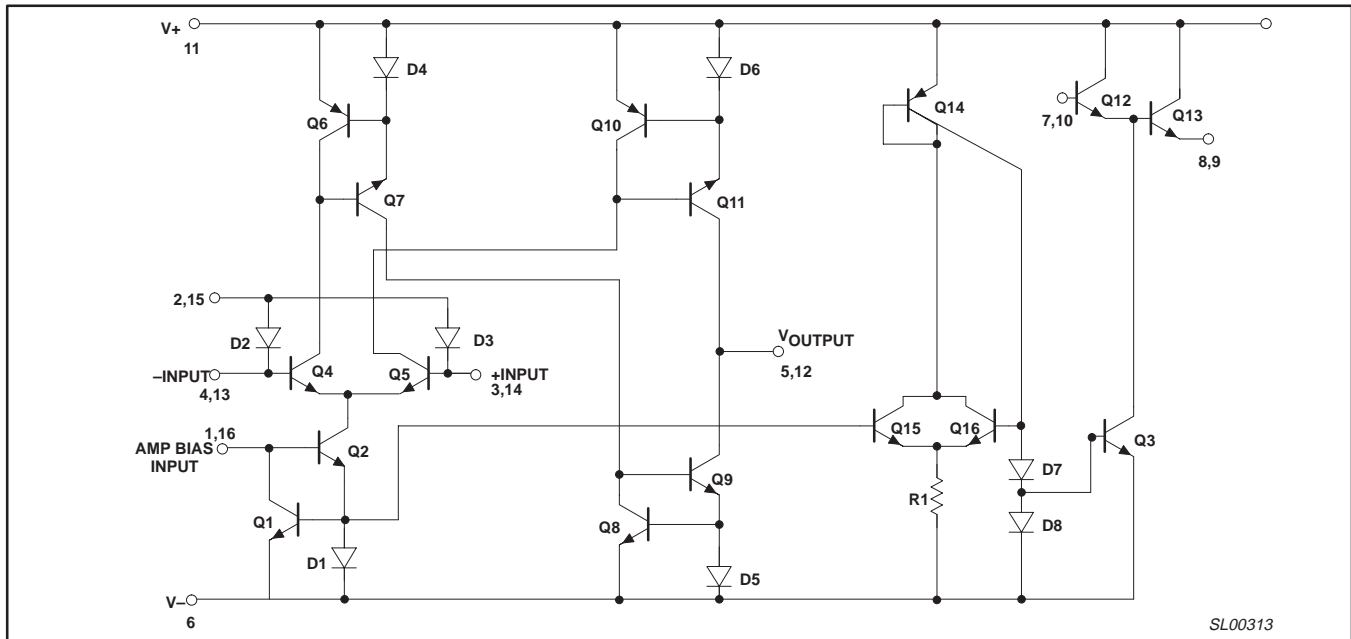


Figure 8. Circuit Diagram of NE5517

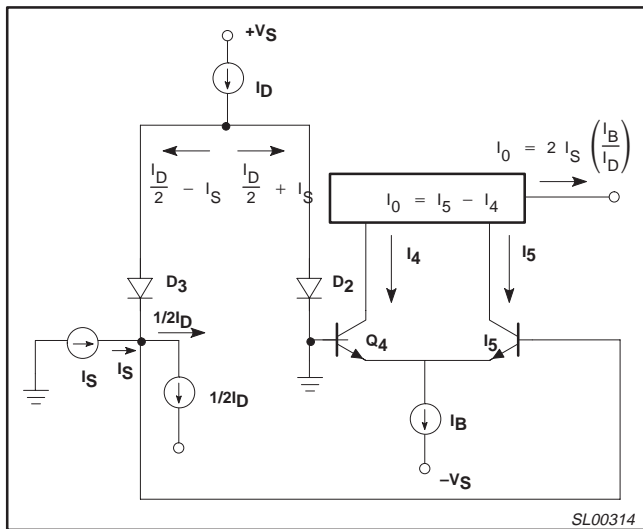


Figure 9. Linearizing Diode

### Stereo Amplifier With Gain Control

Figure 11 shows a stereo amplifier with variable gain via a control input. Excellent tracking of typical 0.3 dB is easy to achieve. With the potentiometer,  $R_P$ , the offset can be adjusted. For AC-coupled amplifiers, the potentiometer may be replaced with two 510  $\Omega$  resistors.

### Modulators

Because the transconductance of an OTA (Operational Transconductance Amplifier) is directly proportional to  $I_{ABC}$ , the amplification of a signal can be controlled easily. The output current is the product from transconductance  $\times$  input voltage. The circuit is effective up to approximately 200 kHz. Modulation of 99% is easy to achieve.

### Voltage-Controlled Resistor (VCR)

Because an OTA is capable of producing an output current proportional to the input voltage, a voltage variable resistor can be made. Figure 13 shows how this is done. A voltage presented at the  $R_X$  terminals forces a voltage at the input. This voltage is multiplied by  $g_M$  and thereby forces a current through the  $R_X$  terminals:

$$R_X = \frac{R + R_A}{g_M + R_A}$$

where  $g_M$  is approximately 19.21  $\mu$ MHOs at room temperature. Figure 14 shows a Voltage Controlled Resistor using linearizing diodes. This improves the noise performance of the resistor.

### Voltage-Controlled Filters

Figure 15 shows a Voltage Controlled Low-Pass Filter. The circuit is a unity gain buffer until  $X_C/g_M$  is equal to  $R/R_A$ . Then, the frequency response rolls off at a 6dB per octave with the -3 dB point being defined by the given equations. Operating in the same manner, a Voltage Controlled High-Pass Filter is shown in Figure 16. Higher order filters can be made using additional amplifiers as shown in Figures 17 and 18.

### Voltage-Controlled Oscillators

Figure 19 shows a voltage-controlled triangle-square wave generator. With the indicated values a range from 2 Hz to 200 kHz is possible by varying  $I_{ABC}$  from 1 mA to 10  $\mu$ A.

The output amplitude is determined by  $I_{OUT} \times R_{OUT}$ .

Please notice the differential input voltage is not allowed to be above 5 V.

With a slight modification of this circuit you can get the sawtooth pulse generator, as shown in Figure 20.

# Dual operational transconductance amplifier

## NE5517/NE5517A/ AU5517

### APPLICATION HINTS

To hold the transconductance  $g_M$  within the linear range,  $I_{ABC}$  should be chosen not greater than 1 mA. The current mirror ratio should be as accurate as possible over the entire current range. A current mirror with only two transistors is not recommended. A suitable current mirror can be built with a PNP transistor array which causes excellent matching and thermal coupling among the

transistors. The output current range of the DAC normally reaches from 0 to -2 mA. In this application, however, the current range is set through  $R_{REF}$  (10 k $\Omega$ ) to 0 to -1 mA.

$$I_{DACMAX} = 2 \cdot \frac{V_{REF}}{R_{REF}} = 2 \cdot \frac{-5V}{10k\Omega} = 1mA$$

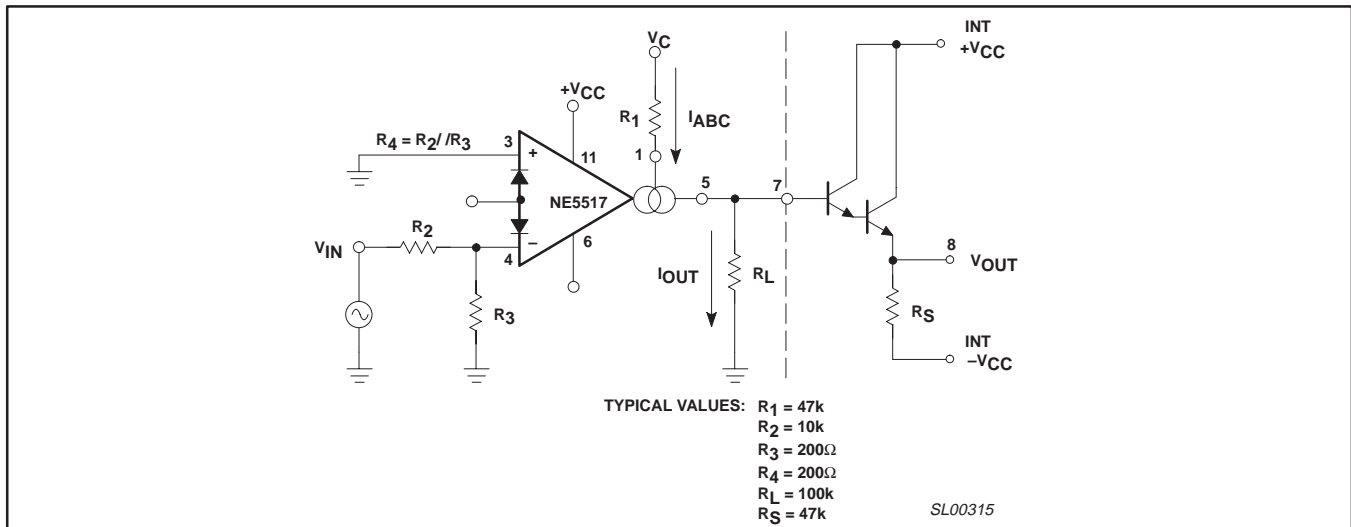


Figure 10.

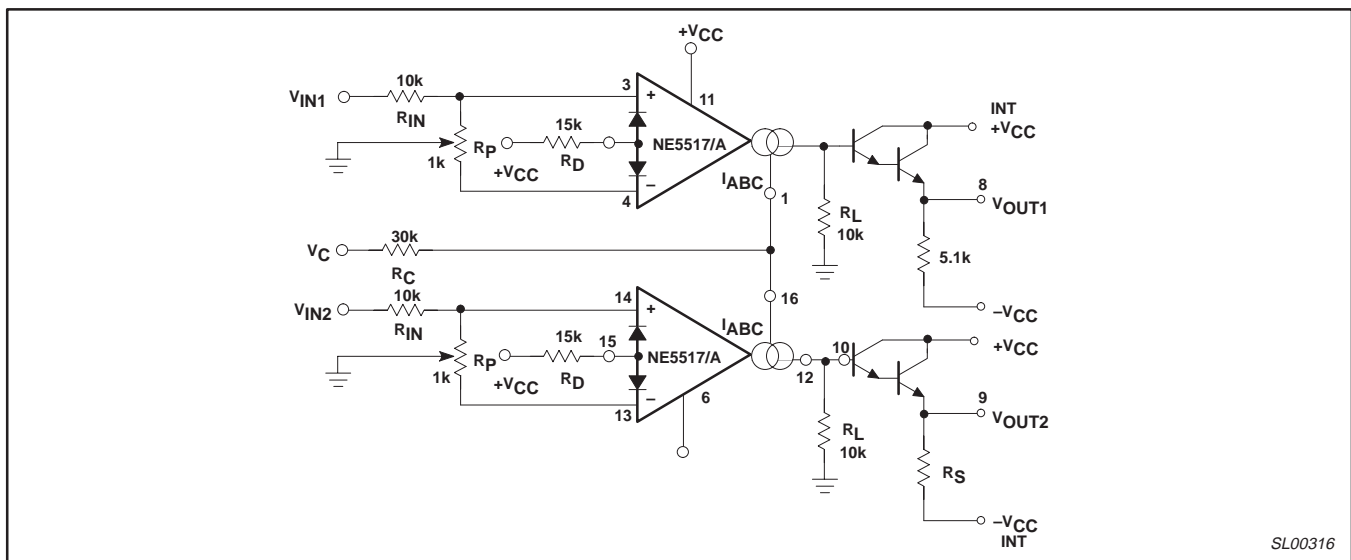


Figure 11. Gain-Controlled Stereo Amplifier

# Dual operational transconductance amplifier

## NE5517/NE5517A/ AU5517

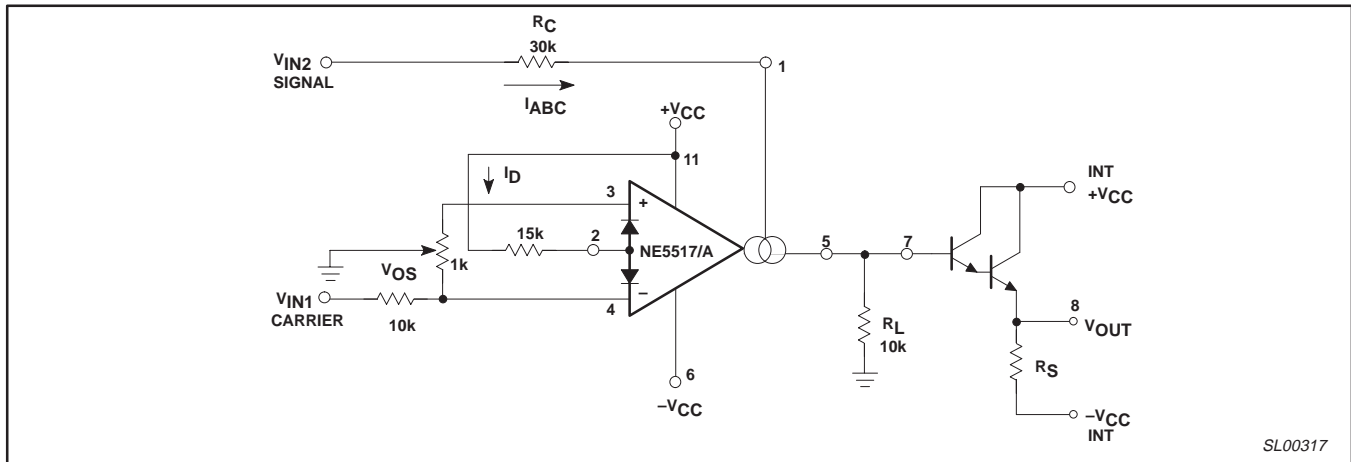


Figure 12. Amplitude Modulator

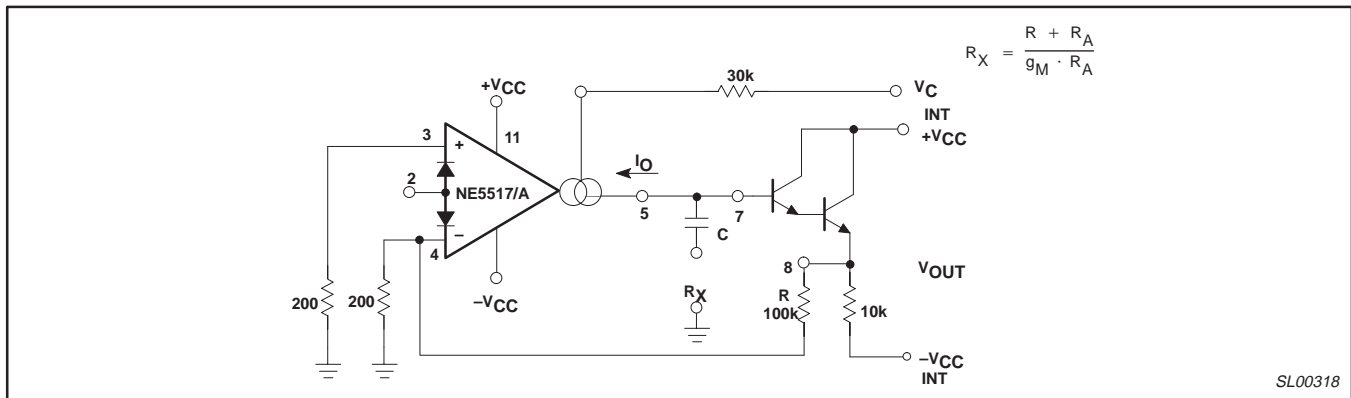


Figure 13. VCR

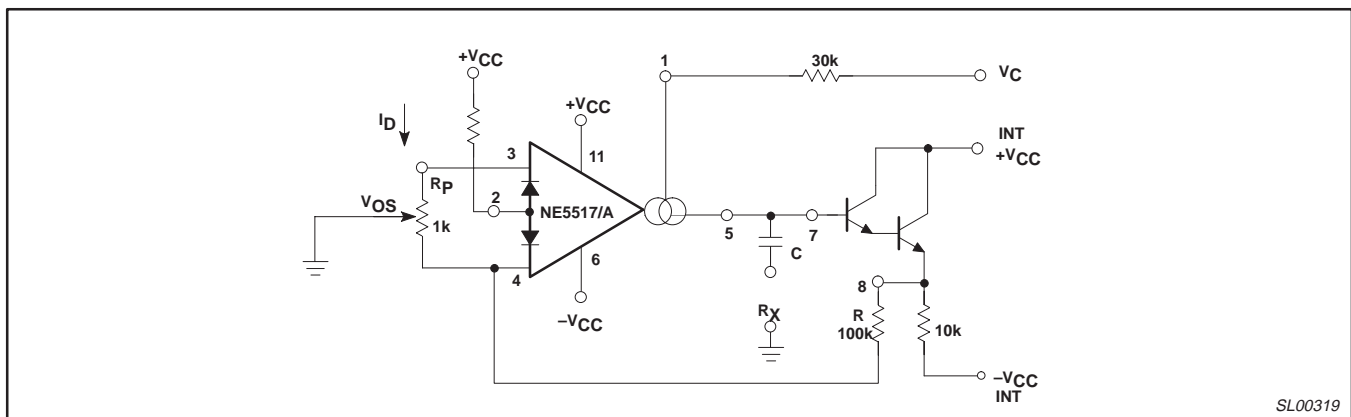


Figure 14. VCR with Linearizing Diodes

# Dual operational transconductance amplifier

## NE5517/NE5517A/ AU5517

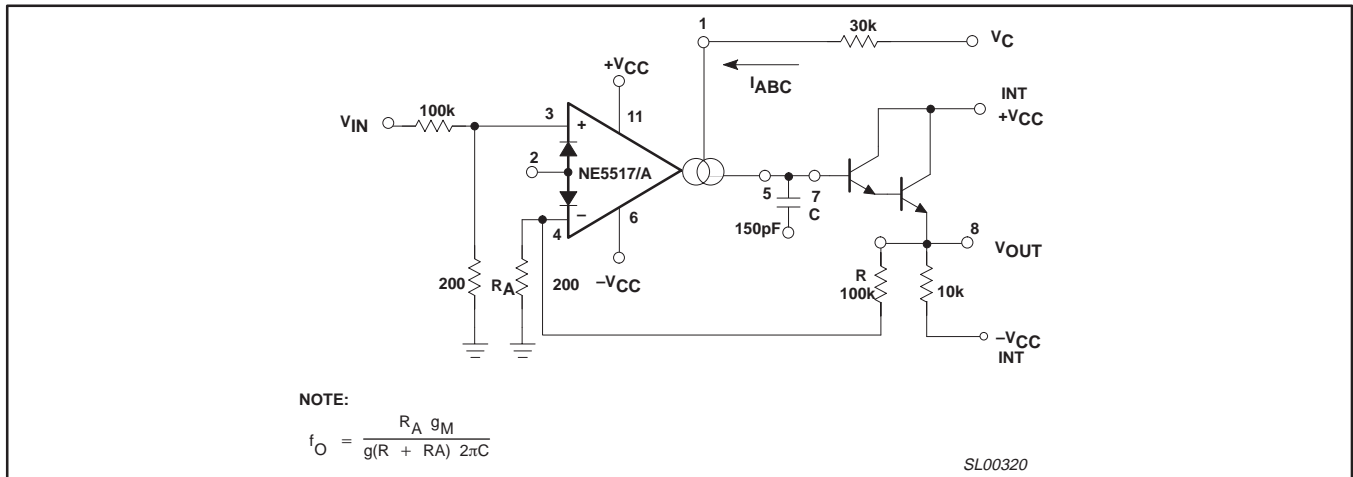


Figure 15. Voltage-Controlled Low-Pass Filter

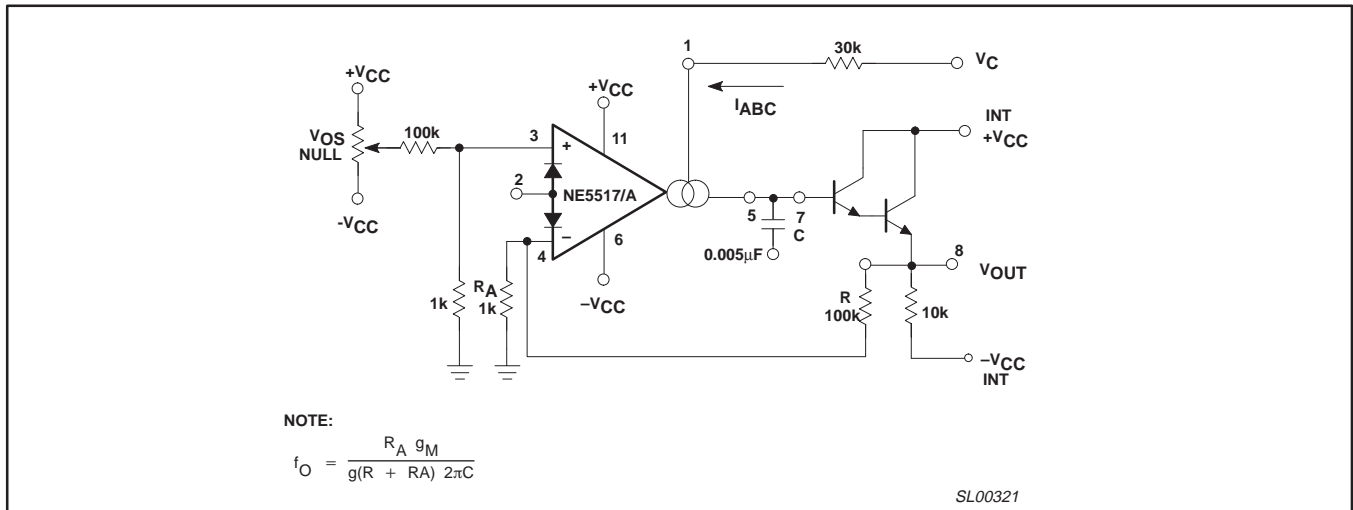


Figure 16. Voltage-Controlled High-Pass Filter

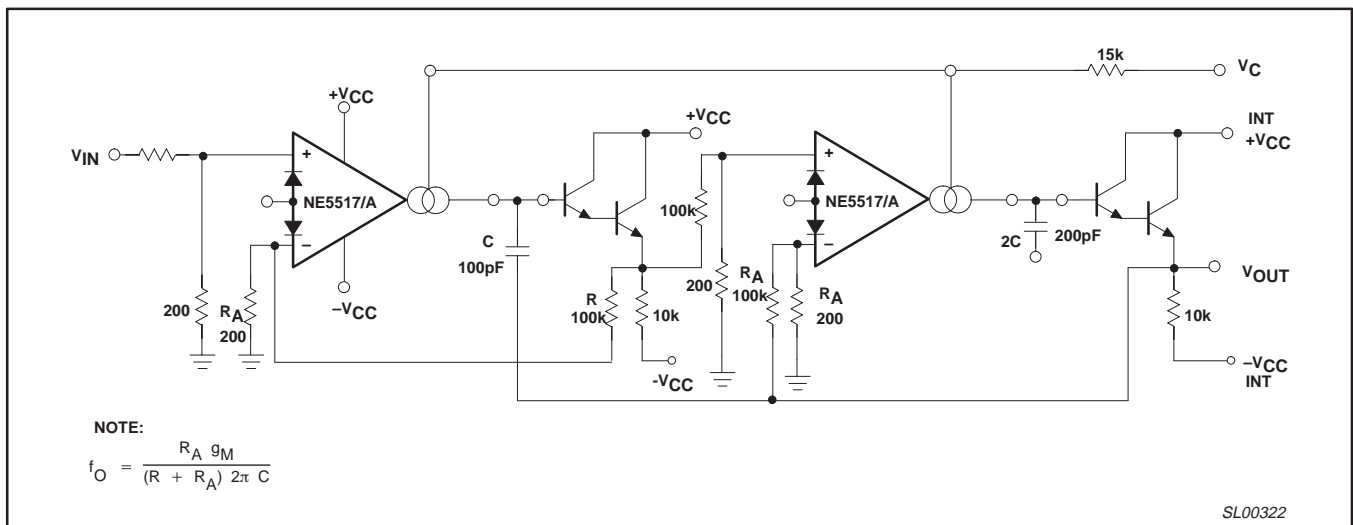


Figure 17. Butterworth Filter - 2nd Order

# Dual operational transconductance amplifier

# NE5517/NE5517A/ AU5517

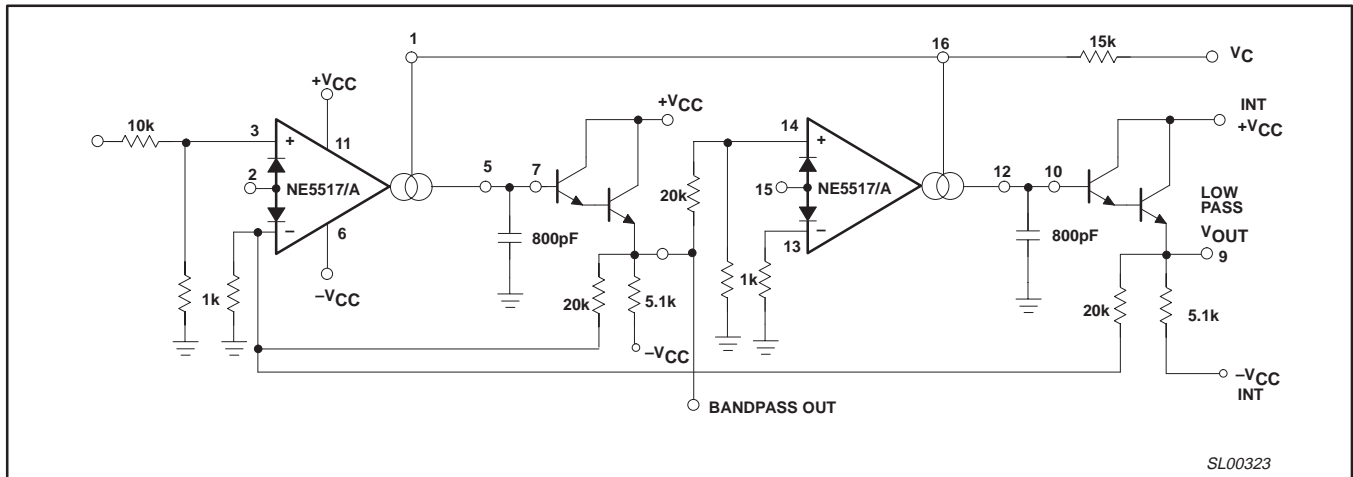


Figure 18. State Variable Filter

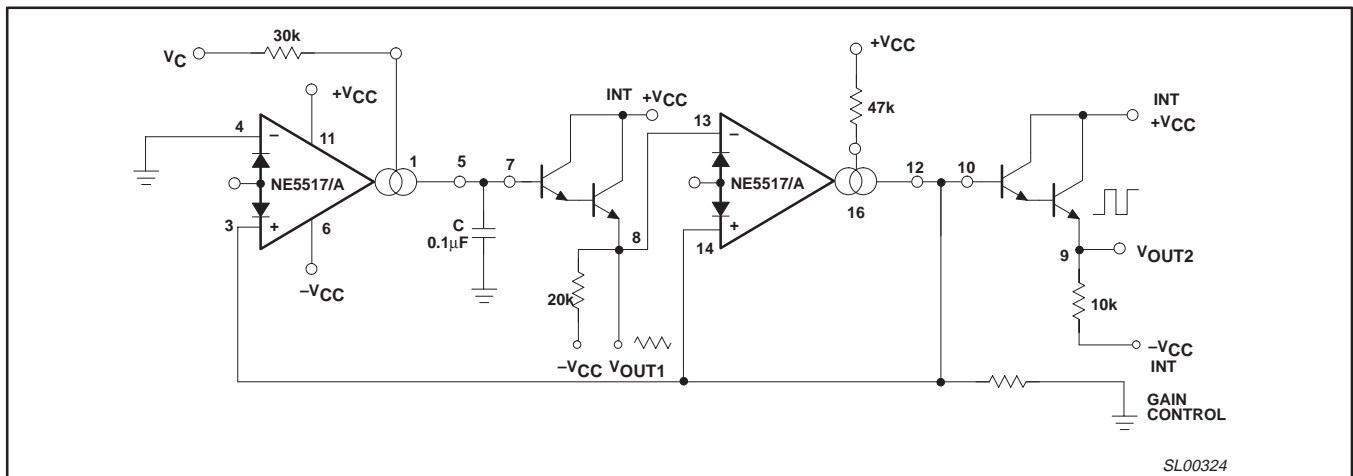


Figure 19. Triangle-Square Wave Generator (VCO)

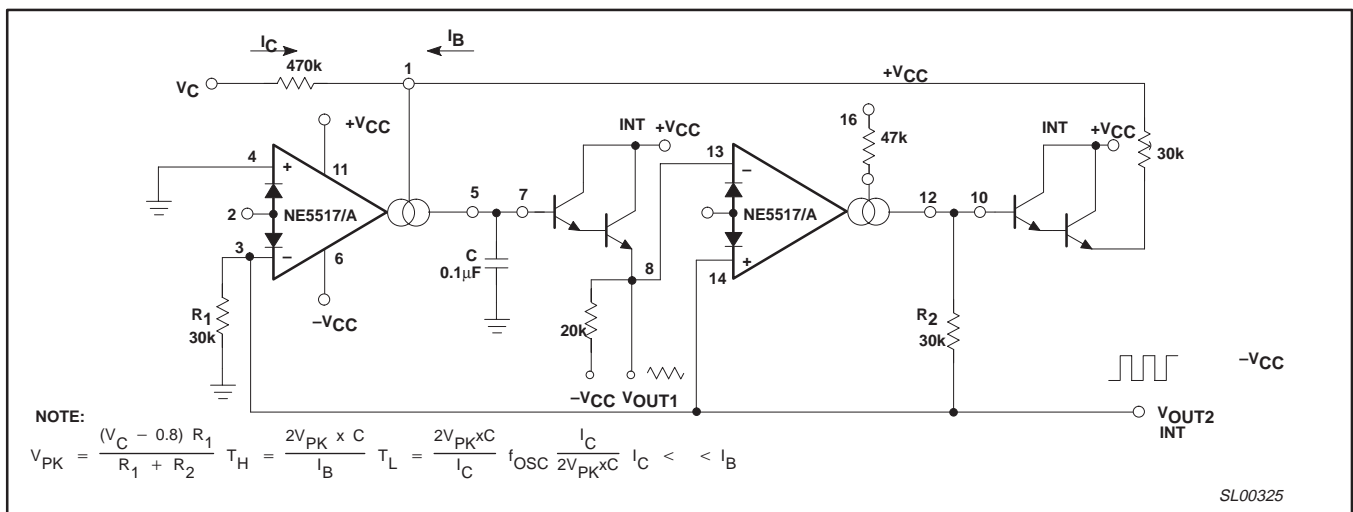


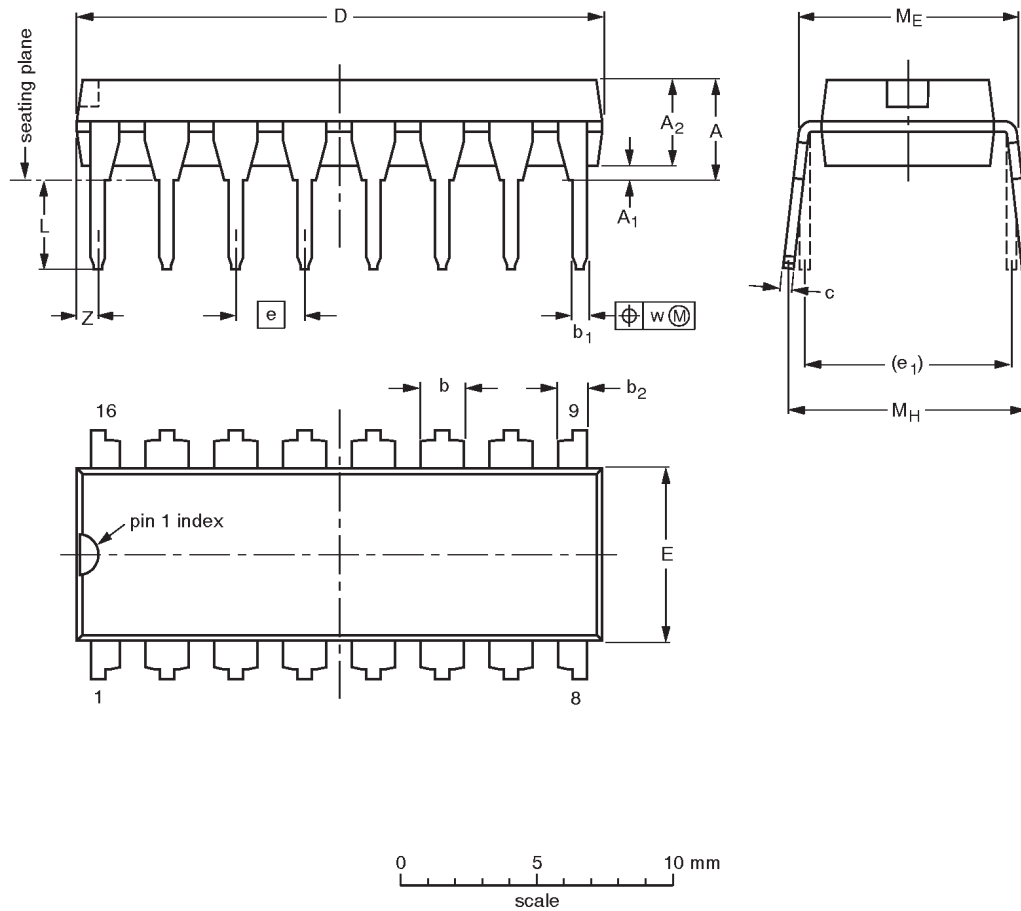
Figure 20. Sawtooth Pulse VCO

Dual operational transconductance amplifier

NE5517/NE5517A/  
AU5517

DIP16: plastic dual in-line package; 16 leads (300 mil)

SOT38-4



DIMENSIONS (inch dimensions are derived from the original mm dimensions)

UNIT	A max.	A <sub>1</sub> min.	A <sub>2</sub> max.	b	b <sub>1</sub>	b <sub>2</sub>	c	D <sup>(1)</sup>	E <sup>(1)</sup>	e	e <sub>1</sub>	L	M <sub>E</sub>	M <sub>H</sub>	w	z <sup>(1)</sup> max.
mm	4.2	0.51	3.2	1.73 1.30	0.53 0.38	1.25 0.85	0.36 0.23	19.50 18.55	6.48 6.20	2.54	7.62	3.60 3.05	8.25 7.80	10.0 8.3	0.254	0.76
inches	0.17	0.020	0.13	0.068 0.051	0.021 0.015	0.049 0.033	0.014 0.009	0.77 0.73	0.26 0.24	0.10	0.30	0.14 0.12	0.32 0.31	0.39 0.33	0.01	0.030

Note

1. Plastic or metal protrusions of 0.25 mm maximum per side are not included.

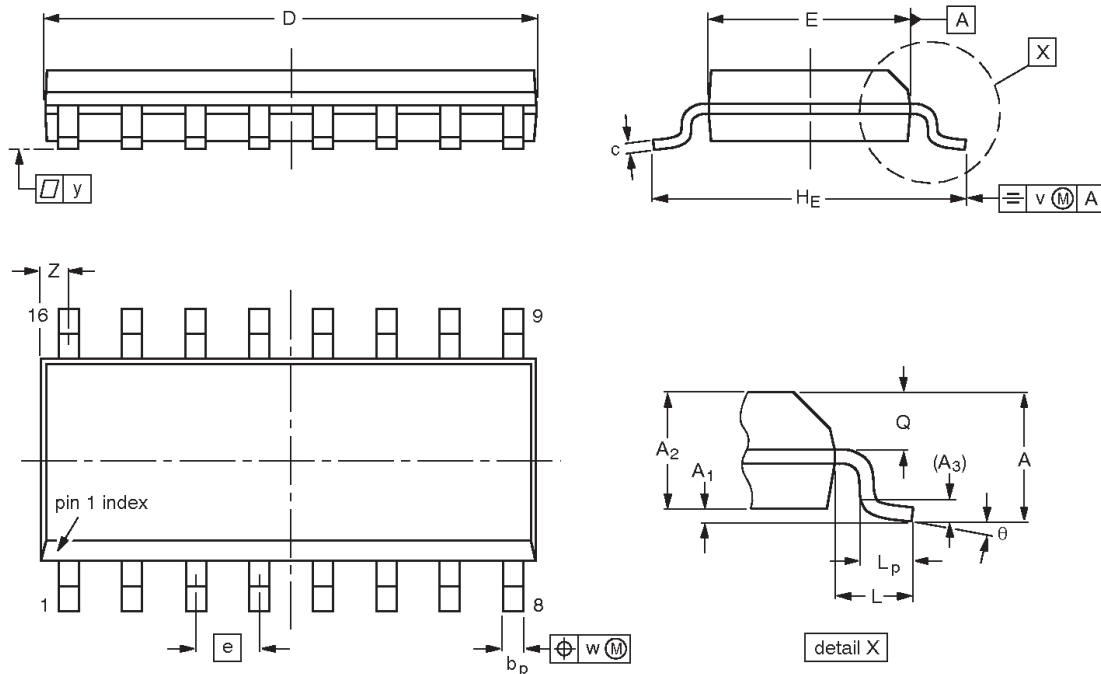
OUTLINE VERSION	REFERENCES				EUROPEAN PROJECTION	ISSUE DATE
	IEC	JEDEC	EIAJ			
SOT38-4						92-11-17 95-01-14

# Dual operational transconductance amplifier

NE5517/NE5517A/  
AU5517

SO16: plastic small outline package; 16 leads; body width 3.9 mm

SOT109-1



**DIMENSIONS (inch dimensions are derived from the original mm dimensions)**

UNIT	A max.	A <sub>1</sub>	A <sub>2</sub>	A <sub>3</sub>	b <sub>p</sub>	c	D <sup>(1)</sup>	E <sup>(1)</sup>	e	H <sub>E</sub>	L	L <sub>p</sub>	Q	v	w	y	Z <sup>(1)</sup>	θ
mm	1.75	0.25 0.10	1.45 1.25	0.25	0.49 0.36	0.25 0.19	10.0 9.8	4.0 3.8	1.27	6.2 5.8	1.05	1.0 0.4	0.7 0.6	0.25	0.25	0.1	0.7 0.3	8° 0°
inches	0.069	0.010 0.004	0.057 0.049	0.01	0.019 0.014	0.0100 0.0075	0.39 0.38	0.16 0.15	0.050	0.244 0.228	0.041	0.039 0.016	0.028 0.020	0.01	0.01	0.004	0.028 0.012	

**Note**

1. Plastic or metal protrusions of 0.15 mm maximum per side are not included.

OUTLINE VERSION	REFERENCES				EUROPEAN PROJECTION	ISSUE DATE
	IEC	JEDEC	EIAJ			
SOT109-1	076E07	MS-012				97-05-22- 99-12-27



## Dual operational transconductance amplifier

NE5517/NE5517A/  
AU5517

## REVISION HISTORY

Rev	Date	Description
_3	20021206	<b>Product data (9397 750 10796); type number AU5517 added. ECN 853-0887 29176 of 08 November 2002; supersedes Product data NE5517_NE5517A version 2 of 03 August 2001.</b> Modifications: <ul style="list-style-type: none"><li>• Type number AU5517 added.</li><li>• "Description" section edited.</li></ul>
_2	20010803	<b>Product data (9397 750 09175); NE5517/NE5517A only; ECN 853-0887 26833 of 2001 Aug 03 .</b>

## Dual operational transconductance amplifier

NE5517/NE5517A/  
AU5517

## Data sheet status

Level	Data sheet status <sup>[1]</sup>	Product status <sup>[2] [3]</sup>	Definitions
I	Objective data	Development	This data sheet contains data from the objective specification for product development. Philips Semiconductors reserves the right to change the specification in any manner without notice.
II	Preliminary data	Qualification	This data sheet contains data from the preliminary specification. Supplementary data will be published at a later date. Philips Semiconductors reserves the right to change the specification without notice, in order to improve the design and supply the best possible product.
III	Product data	Production	This data sheet contains data from the product specification. Philips Semiconductors reserves the right to make changes at any time in order to improve the design, manufacturing and supply. Relevant changes will be communicated via a Customer Product/Process Change Notification (CPCN).

[1] Please consult the most recently issued data sheet before initiating or completing a design.

[2] The product status of the device(s) described in this data sheet may have changed since this data sheet was published. The latest information is available on the Internet at URL <http://www.semiconductors.philips.com>.

[3] For data sheets describing multiple type numbers, the highest-level product status determines the data sheet status.

## Definitions

**Short-form specification** — The data in a short-form specification is extracted from a full data sheet with the same type number and title. For detailed information see the relevant data sheet or data handbook.

**Limiting values definition** — Limiting values given are in accordance with the Absolute Maximum Rating System (IEC 60134). Stress above one or more of the limiting values may cause permanent damage to the device. These are stress ratings only and operation of the device at these or at any other conditions above those given in the Characteristics sections of the specification is not implied. Exposure to limiting values for extended periods may affect device reliability.

**Application information** — Applications that are described herein for any of these products are for illustrative purposes only. Philips Semiconductors make no representation or warranty that such applications will be suitable for the specified use without further testing or modification.

## Disclaimers

**Life support** — These products are not designed for use in life support appliances, devices, or systems where malfunction of these products can reasonably be expected to result in personal injury. Philips Semiconductors customers using or selling these products for use in such applications do so at their own risk and agree to fully indemnify Philips Semiconductors for any damages resulting from such application.

**Right to make changes** — Philips Semiconductors reserves the right to make changes in the products—including circuits, standard cells, and/or software—described or contained herein in order to improve design and/or performance. When the product is in full production (status 'Production'), relevant changes will be communicated via a Customer Product/Process Change Notification (CPCN). Philips Semiconductors assumes no responsibility or liability for the use of any of these products, conveys no license or title under any patent, copyright, or mask work right to these products, and makes no representations or warranties that these products are free from patent, copyright, or mask work right infringement, unless otherwise specified.

## Contact information

For additional information please visit  
<http://www.semiconductors.philips.com>. Fax: +31 40 27 24825

© Koninklijke Philips Electronics N.V. 2002  
All rights reserved. Printed in U.S.A.

Date of release: 12-02

For sales offices addresses send e-mail to:  
[sales.addresses@www.semiconductors.philips.com](mailto:sales.addresses@www.semiconductors.philips.com)

Document order number:

9397 750 10796

*Let's make things better.*