

SANYO

No.2933

LM8569

PMOS LSI

Digital Alarm Clock

Applications

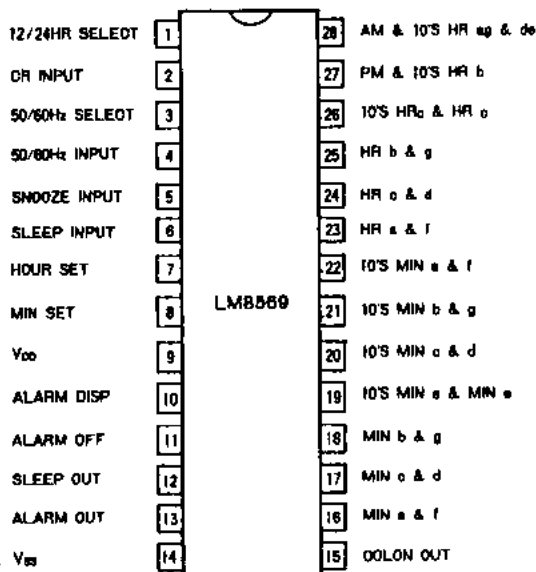
- Alarm clock
- Clock radio

Functions

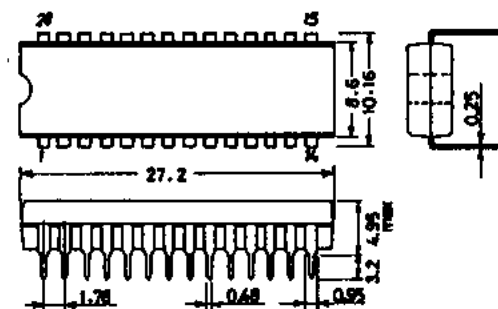
- Current time display
- Alarm with snooze function
- Sleep timer (max. 59 minutes or 1 hour 59 minutes)

Features

- ① Single-chip P-channel ED MOS LSI
- ② LED direct drive by time-sharing (duplex)
- ③ Wide operating voltage range
- ④ Alarm on a 24-hour basis
- ⑤ Two selections of time format : AM/PM 12-hour basis and 24-hour basis
- ⑥ On-chip CR oscillator for battery backup
- ⑦ 50Hz or 60Hz is usable as the reference frequency
- ⑧ Automatic fast setting of "hours", "minutes"
- ⑨ Sleep timer (max. 59 minutes or 1 hour 59 minutes)
- ⑩ Repeatedly usable snooze function
- ⑪ Power failure indicator
- ⑫ 900Hz output for alarm tone

Pin Assignment

The application circuit diagrams and circuit constants herein are included as an example and provide no guarantee for designing equipment to be mass-produced. The information herein is believed to be accurate and reliable. However, no responsibility is assumed by SANYO for its use; nor for any infringements of patents or other rights of third parties which may result from its use.

Case Outline 3029A-D28SIC
(unit : mm)

SANYO: DIP28S

Specifications and information herein are subject to change without notice.

SANYO Electric Co., Ltd. Semiconductor Overseas Marketing Div.
 Katsuragi Bldg. 18-6, 2-Chome, Yushima, Bunkyo-ku, TOKYO 113, JAPAN

D208TA,TS No.2933-1/7

Operation Description

- 50/60Hz input : The on-chip Schmitt trigger circuit allows a simple RC filter at the input to remove possible line voltage transients. An internal pull-up resistor is provided.
- CR input : When AC power-down occurs, the time counter enters the "hold" mode and the on-chip clock oscillator starts operating immediately. If there is no input at "50/60Hz input" during 3-clock period, this oscillator controls the time counter advance instead of "50/60Hz input". The values of CR determine the frequency of the on-chip clock oscillator. All segment outputs are off during backup oscillator operation.
(Note) If the backup OSC is used at the power-down mode, "50/60Hz input" must be open or at V_{SS} level.
- 50/60 select input : Connecting "50/60Hz select" to V_{SS} enables 50Hz operation. For 60Hz operation, "50/60Hz select" is left unconnected : Pull-down to V_{DD} is provided by the internal pull-down resistor.
- Display mode select input (alarm display/sleep display) : The internal pull-down resistor allows the use of 2 SPST (single-pole single-throw) switches to select 4 display modes listed in Table 1.

Table 1. Display Mode

Select Input		Display Mode	Digit No.1	Digit No.2	Digit No.3	Digit No.4
Alarm	Sleep					
NC	NC	Time display	10's hour, AM/PM	Hour	10's minute	Minute
V _{SS}	NC	Alarm display	10's hour, AM/PM	Hour	10's minute	Minute
NC	V _{SS}	Sleep display	Blanked	Hour	10's minute	Minute
V _{SS}	V _{SS}	Seconds display	Blanked	Minute	10's second	Second

(Note) If V_{SS} is applied to 2 inputs of "alarm display" and "sleep display" simultaneously, the seconds display mode is entered.

- Time setting input : Two setting inputs for 'hours' and 'minutes' are provided. The application of V_{SS} causes the time setting in Table 2 to occur. An internal pull-down resistor each is provided.

Table 2. Setting Contents

Display Mode	Set Input	Functions
Time	HOUR	'Hours' are incremented +1 immediately and advance at a 2Hz rate 1/4 to 3/4 second later.
	MIN	'Minutes' are incremented +1 immediately and advance at a 2Hz rate 1/4 to 3/4 second later.
	BOTH	'Seconds' are reset. Both operations shown above are performed.
Seconds (Alarm & Sleep)	HOUR (Note)	'Seconds' are cleared to [00].
	MIN	"Hold" mode.
	BOTH*	'Hours' and 'Minutes' are reset to [0:00] (24-hour basis) or [12:00] (12-hour basis).
Alarm	HOUR	'Hours' are incremented +1 immediately and advance at a 2Hz rate 1/4 to 3/4 second later.
	MIN	'Minutes' are incremented +1 immediately and advance at a 2Hz rate 1/4 to 3/4 second later.
	BOTH	'Hours' and 'Minutes' are reset to [0:00] (24-hour basis) or [12:00] (12-hour basis).
Sleep	—	The moment V _{DD} is applied to "sleep display", the sleep counter is set to [0:59].
	HOUR	The moment V _{DD} is applied to "sleep display" and "hour set" simultaneously, the sleep counter is set to [1:59].
	MIN	The sleep counter counts down at a 2Hz rate.
	BOTH	The sleep counter counts down at a 2Hz rate.

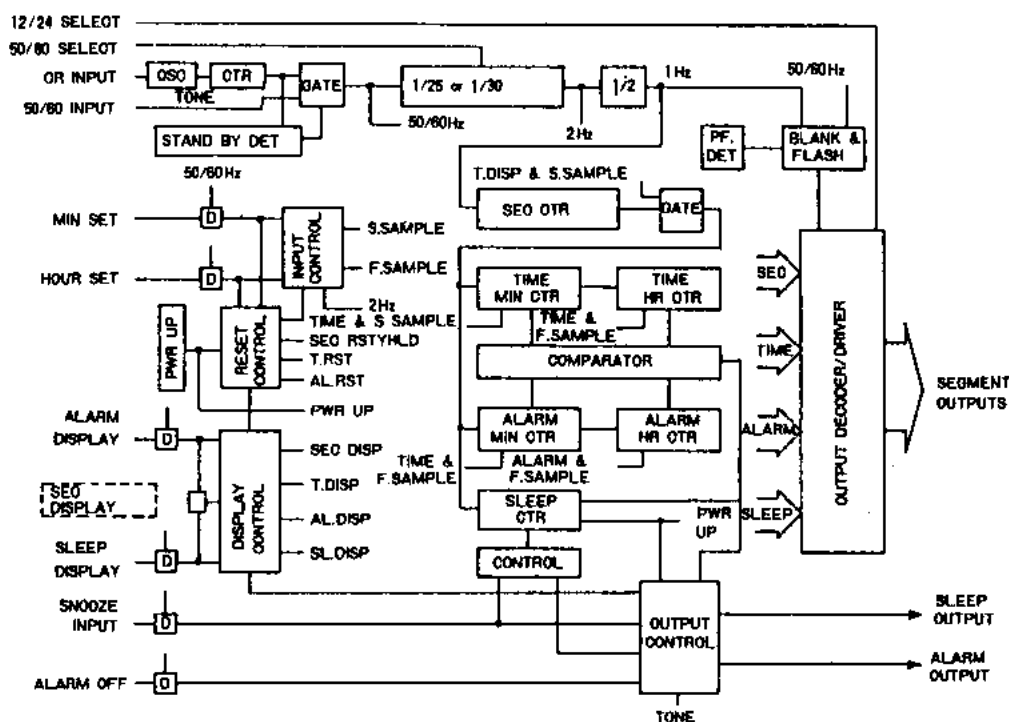
* Once the reset mode or hold mode is entered, other function inputs are locked until both "hour set" input and "minute set" input are released.

(Note) When "seconds" display is at 30 to 59, "seconds" are reset to [00] and a carry occurs to increment "minutes" +1.

LM8569

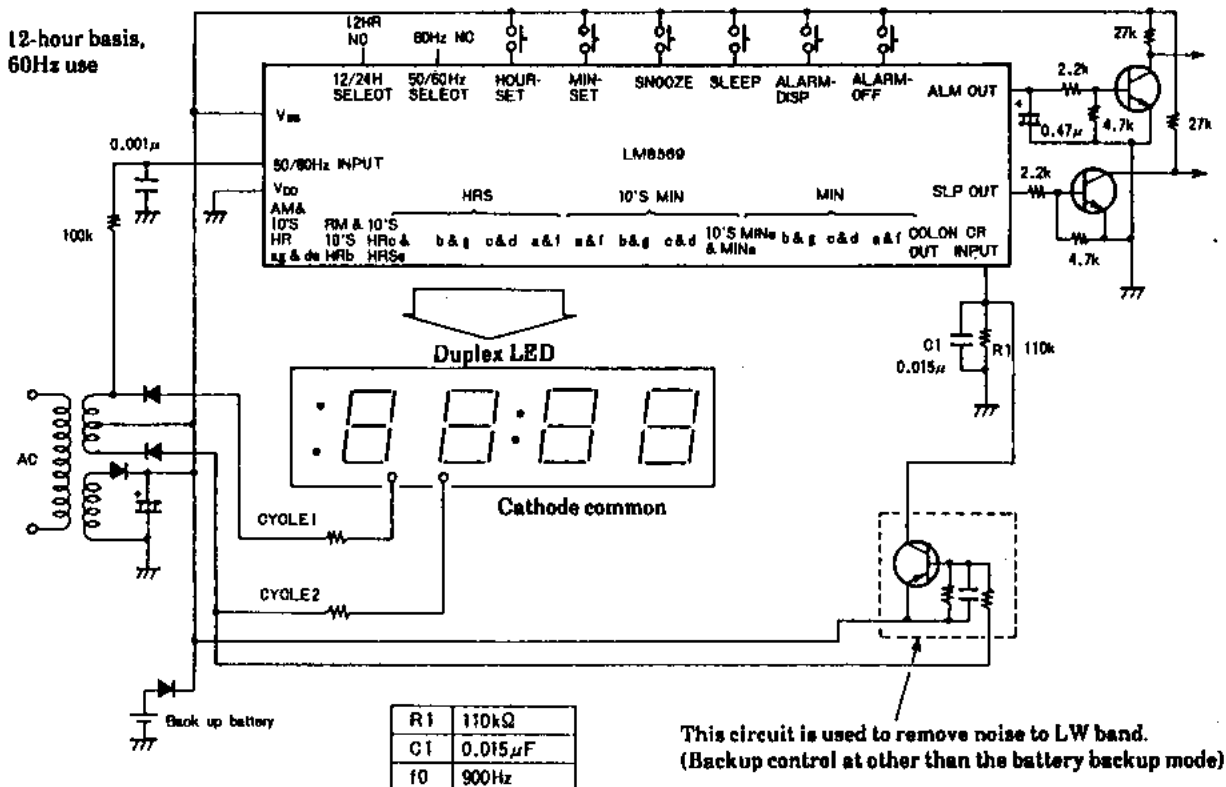
- 12/24-hour select input : Leaving this pin unconnected (V_{DD}) causes the 12-hour basis to be selected; connecting this pin to V_{SS} causes the 24-hour basis to be selected. An internal pull-down resistor is provided.
- Power failure indication : If the power supply voltage drops and is applied again, all the on-segments flash and the power failure indication mode is entered.
The power failure indication mode is released by applying V_{SS} to "hour set" or "minute set".
- Alarm operation and alarm output : When the alarm set time is reached, the alarm signal is delivered. This signal continues to be delivered for 1 hour 59 minutes unless reset by "alarm off" or "snooze input". This signal is provided for the tone-signal of 900Hz with 50% duty of 2Hz gated. A simple LPF can be used to turn this alarm signal into DC signal as required.
- Snooze input : By momentarily connecting this pin to V_{SS} at the alarm on-state, the alarm output is inhibited for 8 to 9 minutes, after which the alarm signal is delivered again. The snooze function can be used repeatedly for 1 hour 59 minutes. An internal pull-down resistor is provided. By connecting "snooze input" to V_{SS} at the alarm off-state, the sleep timer counter is reset to [0:00].
(The sleep timer is reset with one touch.)
- Alarm off input : Connecting this input pin to V_{SS} inhibits the alarm output momentarily. An internal pull-down resistor is provided.
- Sleep timer and sleep output : The sleep output can be used to keep the radio turned on for any period of time up to 59 minutes or 1 hour 59 minutes. Table 2 shows how to select the period (59 minutes or 1 hour 59 minutes). This sleep timer uses a down counter. When the counter contents reach [00], the output stops being delivered, turning off the radio. By connecting "snooze input" to V_{SS} at the sleep output on-state, the sleep output is inhibited.

Block Diagram

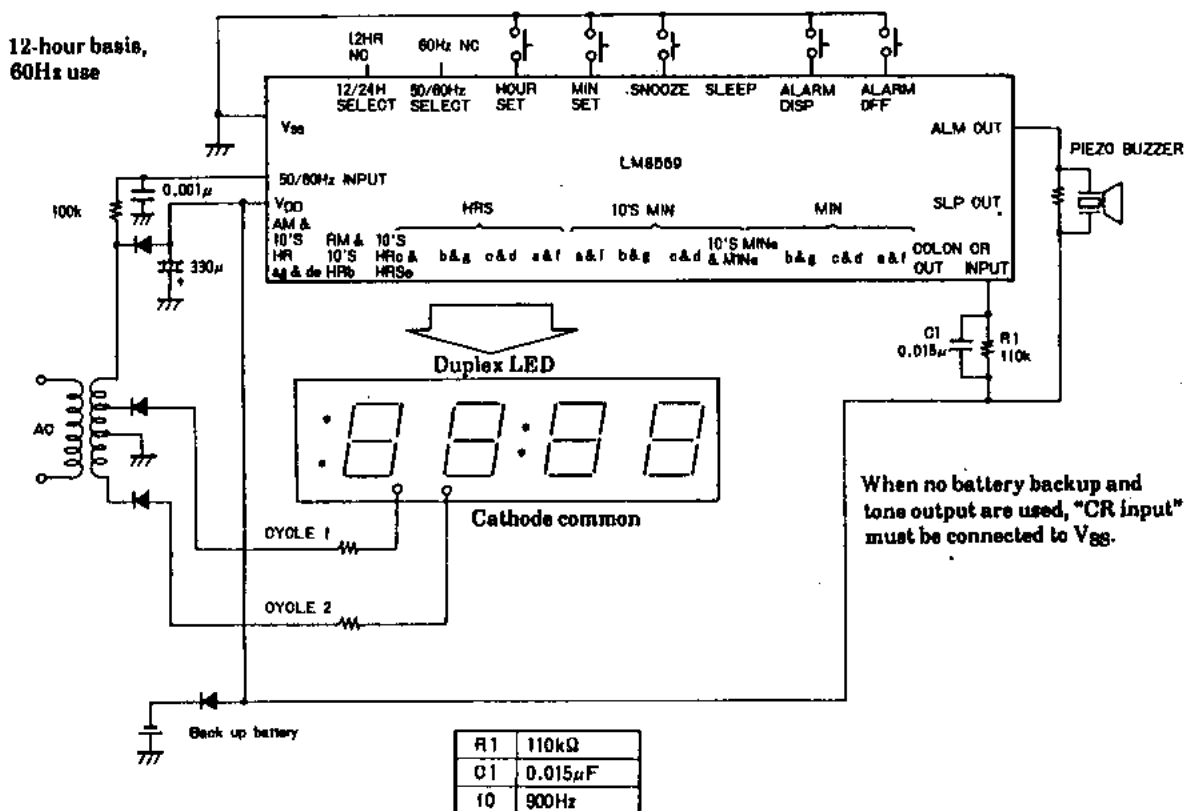


LM8569

Sample Application Circuit for Clock Radio Use (+ power supply)



Sample Application Circuit for Clock Use (- power supply)



LM8569

LB8569B

Absolute Maximum Ratings at $T_a = 25^\circ\text{C}$, $V_{SS} = 0\text{V}$

				unit
Maximum Supply Voltage	V_{DD} max		-17.0 to +0.3	V
Input Voltage (1)	V_{IN} (1)	50/60Hz INPUT	-17.0 to +0.3	V
Input Voltage (2)	V_{IN} (2)	Other than 50/60Hz INPUT	-17.0 to +0.3	V
Output Voltage	V_{OUT}		-17.0 to +0.3	V
Input Clamp Current	I_{IN}	50/60Hz INPUT	-0.4 to +0.4	mA
Allowable Power Dissipation	P_d max	$T_a = 70^\circ\text{C}$	0.7	W
Operating Temperature	T_{opg}		-30 to +70	$^\circ\text{C}$
Storage Temperature	T_{stg}		-55 to +125	$^\circ\text{C}$

Allowable Operating Conditions at $T_a = 25^\circ\text{C}$, $V_{SS} = 0\text{V}$

			min	typ	max	unit
Supply Voltage	V_{DD}		-14.0		-6.5	V
Input 'H'-Level Voltage (1)	V_{IH} (1)	50/60Hz INPUT	-1.0			V
Input 'L'-Level Voltage (1)	V_{IL} (1)	50/60Hz INPUT, $V_{DD} \leq -8\text{V}$			$V_{DD} + 2$	V
		50/60Hz INPUT, $V_{DD} > -8\text{V}$			$V_{DD} + 1$	V
Input 'H'-Level Voltage (2)	V_{IH} (2)	Other than 50/60Hz INPUT, $V_{DD} \leq -8\text{V}$	-1.5			V
		Other than 50/60Hz INPUT, $V_{DD} > -8\text{V}$	-1.0			V
Input 'L'-Level Voltage (2)	V_{IL} (2)	Other than 50/60Hz INPUT, $V_{DD} \leq -8\text{V}$			$V_{DD} + 2$	V
		Other than 50/60Hz INPUT, $V_{DD} > -8\text{V}$			$V_{DD} + 1$	V
(Input Voltage on 50/60Hz INPUT Pin)	V_{AC-IN} (Note 1)	Referenced to V_{SS} (Note 2)		V_{LED} (Note 1)		V

Electrical Characteristics at $T_a = 25^\circ\text{C}$, $V_{DD} = -12\text{V}$

			min	typ	max	unit
Input 'H'-Level Current (1)	I_{IH} (1)	50/60Hz INPUT, $V_{IN} = V_{SS}$			2	μA
Input 'L'-Level Current (1)	I_{IL} (1)	50/60Hz INPUT, $V_{IN} = V_{SS}$			10	μA
Input 'H'-Level Current (2)	I_{IH} (2)	Input pins other than 50/60Hz INPUT, $V_{IN} = V_{DD}$			20	μA
Input 'L'-Level Current (2)	I_{IL} (2)	Input pins other than 50/60Hz INPUT, $V_{IN} = V_{DD}$			2	μA
Output 'H'-Level Current (1)	I_{OH} (1)	Alarm output, sleep output, $V_{OH} = V_{SS} = -1\text{V}$	5			mA
Output Leakage Current (1)	I_{OF} (1)	Alarm output, sleep output, $V_{OUT} = V_{DD}$			10	μA
Output 'H'-Level Current (2)	I_{OH} (2)	10's HR ag & de (24Hmode), $V_{OUT} = V_{SS} = -1\text{V}$	36			mA
Output Leakage Current (2)	I_{OF} (2)	10's HR ag & de (24Hmode), $V_{OUT} = V_{DD}$			20	μA
Output 'H'-Level Current (3)	I_{OH} (3)	Segment outputs other than above, $V_{OUT} = V_{SS} - 1\text{V}$	18			mA
Output Leakage Current (3)	I_{OF} (3)	Segment outputs other than above, $V_{OUT} = V_{DD}$			20	μA
Power Failure Detect Voltage	V_{DD}		-6.5	-5.0		V
Current Dissipation	I_{CC}	Output: Off, input with pull-down resistor: Open		5	7	mA
Stability of Oscillator for Backup	F_S	Typical value, 900Hz, $V_{DD} = -9\text{V} \pm 10\%$	-10		10	%
Accuracy of Oscillator for Backup	F_A	Typical value, 900Hz, $V_{DD} = -9\text{V}$	-10		10	%

LM8569

LM8569N

Absolute Maximum Ratings at $T_a = 25^\circ\text{C}, V_{SS} = 0\text{V}$

				unit
Maximum Supply Voltage	V_{DD} max		-15.0 to +0.3	V
Input Voltage (1)	V_{IN} (1)	50/60Hz INPUT	-15.0 to +0.3	V
Input Voltage (2)	V_{IN} (2)	Other than 50/60Hz INPUT	-15.0 to +0.3	V
Output Voltage	V_{OUT}		-15.0 to +0.3	V
Input Clamp Current	I_{IN}	50/60Hz INPUT	-0.4 to +0.4	mA
Allowable Power Dissipation	P_d max	$T_a = 70^\circ\text{C}$	0.7	W
Operating Temperature	T_{opg}		-30 to +70	$^\circ\text{C}$
Storage Temperature	T_{stg}		-55 to +125	$^\circ\text{C}$

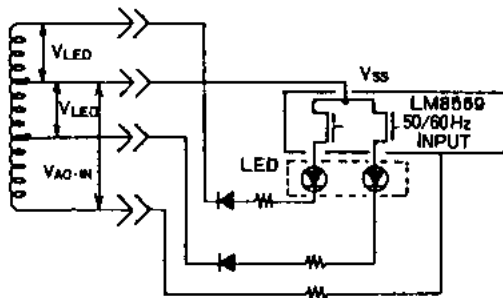
Allowable Operating Conditions at $T_a = 25^\circ\text{C}, V_{SS} = 0\text{V}$

			min	typ	max	unit
Supply Voltage	V_{DD}		-14.0		-7.5	V
Input 'H'-Level Voltage (1)	V_{IH} (1)	50/60Hz INPUT	-1.0			V
Input 'L'-Level Voltage (1)	V_{IL} (1)	50/60Hz INPUT			$V_{DD} + 2$	V
Input 'H'-Level Voltage (2)	V_{IH} (2)	Other than 50/60Hz INPUT	-1.5			V
Input 'L'-Level Voltage (2)	V_{IL} (2)	Other than 50/60Hz INPUT			$V_{DD} + 2$	V
Input Voltage on 50/60Hz INPUT Pin	V_{AC-IN} (Note 1)	Referenced to V_{SS} (Note 2)		V_{LED} (Note 1)		V

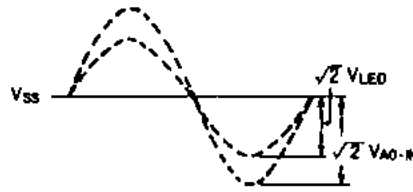
Electrical Characteristics at $T_a = 25^\circ\text{C}, V_{DD} = -12\text{V}$

			min	typ	max	unit
Input 'H'-Level Current (1)	I_{IH} (1)	50/60Hz INPUT, $V_{IN} = V_{SS}$			10	μA
Input 'L'-Level Current (1)	I_{IL} (1)	50/60Hz INPUT, $V_{IN} = V_{SS}$			10	μA
Input 'H'-Level Current (2)	I_{IH} (2)	Input pins other than 50/60Hz INPUT, $V_{IN} = V_{DD}$			20	μA
Input 'L'-Level Current (2)	I_{IL} (2)	Input pins other than 50/60Hz INPUT, $V_{IN} = V_{DD}$			10	μA
Output 'H'-Level Current (1)	I_{OH} (1)	Alarm output, sleep output, $V_{OH} = V_{SS} = -1\text{V}$	5			mA
Output Leakage Current (1)	I_{OF} (1)	Alarm output, sleep output, $V_{OUT} = V_{DD}$			10	μA
Output 'H'-Level Current (2)	I_{OH} (2)	10's HR ag & de (24Hmode), $V_{OUT} = V_{SS} = -1\text{V}$	36			mA
Output Leakage Current (2)	I_{OF} (2)	10's HR ag & de (24Hmode), $V_{OUT} = V_{DD}$			20	μA
Output 'H'-Level Current (3)	I_{OH} (3)	Segment outputs other than above, $V_{OUT} = V_{SS} - 1\text{V}$	18			mA
Output Leakage Current (3)	I_{OF} (3)	Segment outputs other than above, $V_{OUT} = V_{DD}$			20	μA
Power Failure Detect Voltage	V_{DD}		-7.5	-5.0		V
Current Dissipation	I_{CC}	Output: Off, input with pull-down resistor: Open		5	7	mA
Stability of Oscillator for Backup	F_S	Typical value, 900Hz, $V_{DD} = -9\text{V} \pm 10\%$	-10		10	%
Accuracy of Oscillator for Backup	F_A	Typical value, 900Hz, $V_{DD} = -9\text{V}$	-10		10	%

• (Note 1)



(Note 2)



[Fig.2]

V_{AC-IN} Input voltage (average) on 50/60Hz INPUT pin
 V_{LED} Supply voltage (average) for LED
 These are the values at no load mode.

[Fig.1]