



M3321

MPEG-2 & Dolby Digital A/V Decoder

Product Brief

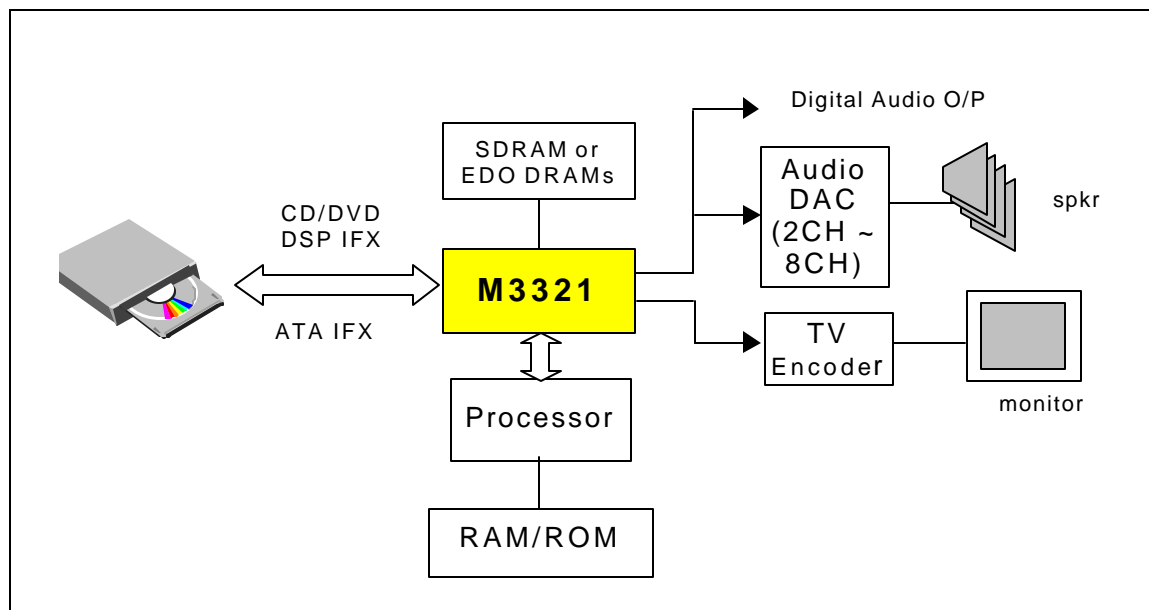
INTRODUCTION

The M3321 MPEG-2 and Dolby Digital Audio and Video Decoder Single Chip is another advanced IC from ALi that provides DVD A/V decoding for computers and consumer electronics. For computers, it supports different applications such as PCI bus, ZV port and local bus through VMI, AMC and VIP. For consumer electronics, it supports uP, CD/DVD DSP and ATA interfaces. The M3321 offers fast-forward, stop, freeze, frame-by-frame, slow motion and backward properties. Its audio properties has real time decoding of MPEG layer I/II/III Audio at sample rates 32K, 44.1K and 48KHz, and Dolby Digital. The M3321 supports PCM, Dolby Digital bitstream and DTS bitstream output via IEC 958. The audio post-processing of M3321 supports stereo enhancement and Virtual Surround for downmixed multi-channel audio source while using a 2-speaker environment. It supports 4 Mbits of 35 ns EDO DRAMs (256K x16 x1) for MPEG-1 decoding, 16/20/24 Mbits of 35ns EDO DRAMs (256K x16 x4/5/6) for MPEG-2 or 16/32 Mbits of 10/12ns SDRAMs (1M x16 x1/2) for MPEG-2 decoding.

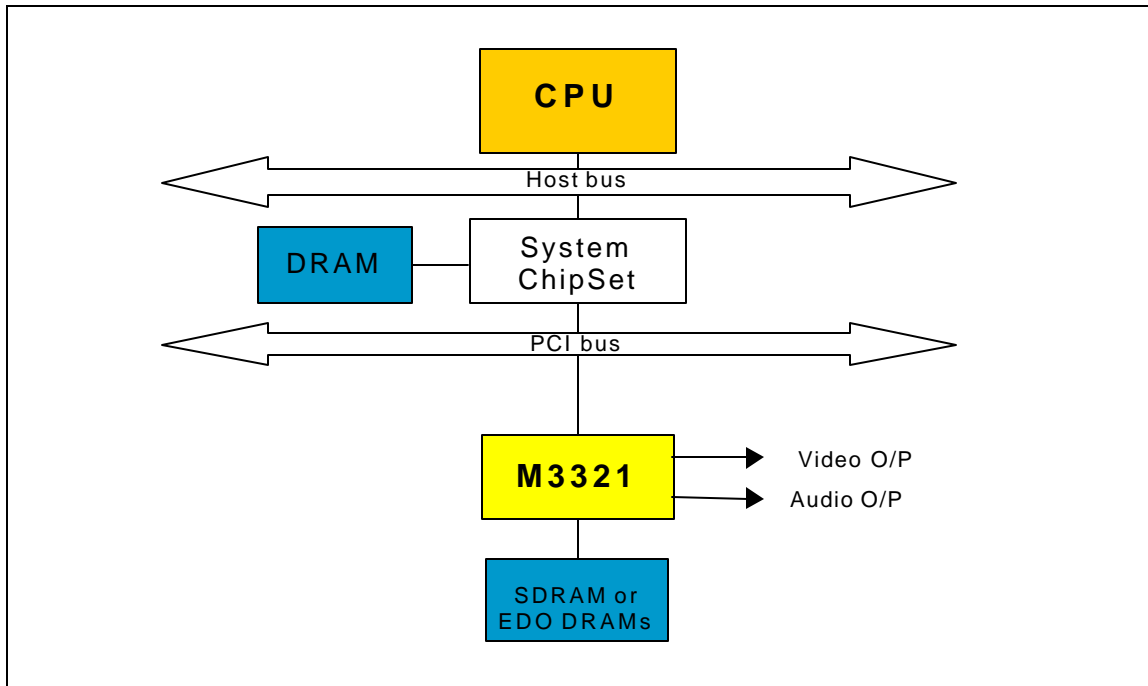
Furthermore, it uses a single 27 MHz external clock. This chip is packed in a 208-pin PQFP using 3.3V CMOS technology.

*Supply of this implementation of Dolby Technology does not convey a license nor imply a right under any patent, or any other Industrial or Intellectual Property Right of Dolby Laboratories, to use this Implementation in any finished end-user or ready-to-use final product. It is hereby notified that a license for such use is required from Dolby Laboratories.

M3321 System Diagram for Consumer Electronics



M3321 System Diagram for PCI Bus Architecture



FEATURES

- Integrated MPEG-2 & Dolby Digital audio/video decoders for DVD, STB applications
- Supports different Interfaces such as PCI, ZV Port and local bus without glue logic for PC application and uP, channel (CD/DVD-DSP, ATAPI) interface for Consumer application
- Supports DVD 1.1, Super VideoCD, VideoCD 1.0, 1.1 and 2.0, CD-I and CD-DA
- Supports complete firmwares such as DVD Navigator, Device driver, related I/O interface drivers (e.g. Audio DAC, TV encoder, UI devices, ATAPI Interface) for Consumer application

MPEG System

- Built-in MPEG-1 System Stream and MPEG-2 Program Stream/ Packetized Elementary Stream Parser
- Supports DVD private packets such as PCI, DSI, Sub-picture, Dolby Digital, LPCM parsing
- CD/DVD-ROM format parsing
- Built-in hardware CSS for Authentication and Descrambling
- On-chip audio and video synchronization
- Automatic Error Concealment

MPEG Video

- MPEG-1, MPEG-2 Main-Profile @ Main-Level video decoding
- DVD Sub-Picture decoding and close captioning parsing
- 4/16 colors OSD (On Screen Display)
- Fully and simultaneously decodes DVD sub-picture, highlight and blending OSD
- Completely video post-processing functions such as aspect ratio and resolution conversion for Letterbox and Pan & Scan, frame rate conversion, frame/field conversion, chroma interpolation
- On chip video brightness, contrast, saturation adjustment and fade in/out control

- Offers fast-forward, stop, freeze, frame-by-frame, slow-motion, backward playback
- Supports CCIR-601/656, AMC, VMI, VIP, ZV-Port video output format and sync in master/slave mode
- Supports PAL using only 16 Mbits of memory
- Supports ALi Dview™ (Video Digest) and Zoom function

MPEG Audio

- MPEG-1 layer I/II, MP3, Dolby Digital, DVD LPCM decoding
- Dolby Digital 5.1 channel audio decodes and downmixes simultaneously
- MPEG-2 multi-channel audio decoding supports 2-channel downmixed
- Supports DVD-Audio
- On chip programmable DSP for audio post-processing such as virtual surround, stereo enhancement
- Flexible audio output interface such as I²S DAC, IEC-958 (SP/DIF), PCI master
- Supports Dolby Digital and DTS bitstream on IEC958 output
- On-chip mute control and volume adjustment

Memory

- 4 Mbits of 35ns EDO DRAM (256K x 16 x 1) for VCD application only
- 16 Mbits of 35ns EDO DRAM (256K x 16 x 4) for DVD application
- 20 Mbits of 35ns EDO DRAM (256K x 16 x 5) for DVD application
- 24 Mbits of 35ns EDO DRAM (256K x 16 x 6) for DVD application
- 16 Mbits of 10, 12ns SDRAM (1M x 16 x 1) for DVD application
- 32 Mbits of 10, 12ns SDRAM (1M x 16 x 2) for DVD application

Physical

- 208-pin PQFP using 3.3V CMOS technology
- 3.3/5 V tolerance inputs
- Single 27 MHz operation clock

Worldwide Distributors and Sales Offices:**Taiwan****Acer Laboratories Inc. (www.ali.com.tw)**

11F, no. 45 Tung Hsing Road,
 Taipei 110, Taiwan, R.O.C.
 Tel: +886 (2) 8768 -2800
 Fax: +886 (2) 8768 -3030

Acer Sertek

8F, no.88, Sec. 1
 Hsin Tai Wu Road, HsiChih,
 Taipei Hsien 221, Taiwan, R.O.C.
 Tel: 886 (2) 2696-3232
 Fax: 886 (2) 2696- 3535

Arrow / Ally, Inc.

16F, 100, Sec. 1,
 Hsin Tai Wu Road, HsiChih,
 Taipei Hsien, Taiwan, R.O.C.
 Tel: 886 (2) 2696 - 7388
 Fax: 886 (2) 2696 - 7399

Asec International Inc.

4F, 223 Chung Yang Road,
 Nan Kang, Taipei,
 Taiwan, R.O.C.
 Tel: 886 (2) 2786-6677
 Fax: 886 (2) 2786 - 5257

Hong Kong**Lestina International Ltd.**

14/F, Park Tower 15
 Austin Road, Tsimshatsui,
 Hong Kong
 Tel: 852-2735 -1736
 Fax: 852-2730 - 5260

Texny Glorytact (HK) Ltd.

Unit M, 6/F, Kaiser Estate
 Phase 3, 11 Hok Yuen
 Street, Hunghom,
 Kowloon, Hong Kong
 Tel: 852 - 2765 - 0118
 Fax: 852 - 2765 - 0557

Singapore**Electronic Resources Ltd.**

205 Kallang Bahru, # 04-00,
 Singapore 339341
 Tel: 65 - 298 - 0888
 Fax: 65 - 298 - 1111

Japan**Unidux Inc.**

11F Shin-Ohsaki Kangyo Bldg.,
 6-4, Ohsaki 1-Chome,
 Shinagawa-Ku, Tokyo, Japan 141
 Tel: 81 (3) 3779 - 7828
 Fax: 81 (3) 3779 - 7898

Macnica Inc.

Hakusan High-Tech Park, 1-22-2
 Hakusan,
 Midori-Ku, Yokohama City, Japan 226
 Tel: 81 (45) 939 - 6106
 Fax: 81 (45) 939 - 6107

Teksel Co. Ltd.

2-27-10, Higashi,
 Shibuya-Ku, 150-0011 Japan
 Tel: 81 (3) 5467-9000
 Fax: 81 (3) 5467-9346

Korea**I&C Microsystems Co., Ltd.**

801, 8/F, Bethel Bldg.,
 324-1, Yangjae-Dong, Seocho-Ku,
 Seoul, Korea
 Tel: 82 (2) 577 - 9131
 Fax: 82 (2) 577 - 9130

Acetronix Co.

5F Namhan Bldg.,
 76-42, Hannam-Dong, Yongsan-Ku,
 Seoul, Korea
 Tel. : 82 (2) 796-4561
 Fax. : 82 (2) 796-4563

Italy**EL.CO.MI. SRL**

Via Cassanese, 27
 20090 Segrate - (MI), Italy
 Tel: 39-2-26927430
 Fax: 39-2-26927410

U.S.A.**ALi U. S. Office/European Operations**

www.acerlabs.com
 525 East Brokaw Road
 San Jose, CA 95131 USA
 Tel: 1 (408) 544 - 3100
 Fax: 1 (408) 544 - 3135



This material is recyclable.

Pentium is a trademark of Intel Corp.
Windows is a trademark of Microsoft Corp.
Other brands and names are the property of their respective owners.

Acer Labs products are not licensed for use in medical applications, including, but not limited to, use in life support devices without proper authorization from medical officers. Buyers are requested to inform ALi sales office when planning to use the products for medical applications.

Product names used in this publication are for identification purposes only and may be trademarks of their respective companies.

Acer Laboratories Inc. makes no warranty for the use of its products and assumes no responsibility for any errors which may appear in this document nor does it make a commitment to update the information contained herein.

Acer Laboratories Inc. retains the right to make changes to these specifications at any time, without notice.
Contact your local sales office to obtain the latest specifications before placing your order.

ALi is a registered trademark of Acer Laboratories Incorporated and may only be used to identify ALi' s products.

©ACER LABORATORIES INCORPORATED 1993