

BIPOLAR ANALOG INTEGRATED CIRCUIT μ PC1335V

T-74-65-01

AUDIO POWER AMPLIFIER

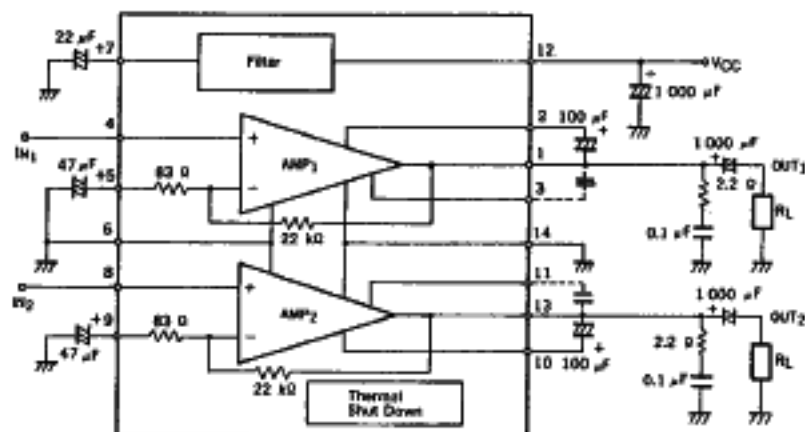
DESCRIPTION

The μ PC1335V is a class B dual audio power amplifier designed for a music center and a radio cassette, and is encapsulated in a new 14 Pins vertical dual in line plastic package.

FEATURES

- High output power.
 - 20 W (TYP.) @ $V_{CC} = 18$ V, $R_L = 8 \Omega$ (BTL)
 - 5.5 W/ch (TYP.) @ $V_{CC} = 18$ V, $R_L = 8 \Omega$
 - 7 W/ch (TYP.) @ $V_{CC} = 15$ V, $R_L = 4 \Omega$
 - 5.7 W/ch (TYP.) @ $V_{CC} = 12$ V, $R_L = 3 \Omega$
 - 4.6 W/ch (TYP.) @ $V_{CC} = 12$ V, $R_L = 4 \Omega$
- Wide operating voltage range. $V_{CC} = 6$ to 20 V
- Low quiescent current. $I_{CC} = 23$ mA (TYP.) @ $V_{CC} = 15$ V
- Low noise. $N_L = 0.25$ mV_{r.m.s.} (TYP.)
- High supply voltage rejection. SVR = 55 dB (TYP.)
- No shock noise at power supply switch on and off.
- Soft clipping wave form.
- Thermal shut down circuit is built in.
- Low thermal resistance: $R_{\theta(j-c)} = 3^\circ\text{C/W}$
- Very low number of external components, very simple mounting system with no electrical isolation between the package and the heat sink. (one screw only)

BLOCK DIAGRAM



CONNECTION DIAGRAM

T-74-05-01

PIN NO.	CONNECTION
1	Output 1
2	Boot Strap 1
3	Compensation 1
4	Input 1
5	NFB 1
6	GND (Input)
7	Filter
8	Input 2
9	NFB 2
10	Boot Strap 2
11	Compensation 2
12	V _{CC}
13	Output 2
14	GND (Output)

ABSOLUTE MAXIMUM RATINGS (T_a = 25 °C)

Supply Voltage (No Signal)	V _{CC1}	28	V
Supply Voltage (Operating)	V _{CC2}	25	V
Power Dissipation	P _D	14*	W
Operating Temperature	T _{opt}	-20 to +70	°C
Storage Temperature	T _{stg}	-40 to +150	°C

* 100 x 100 x 2 mm Al heat sink

5

RECOMMENDED OPERATING CONDITIONS (T_a = 25 °C)

ITEM	SYMBOL	MIN.	TYP.	MAX.	UNIT
Supply Voltage	V _{CC}	8	12, 15	20	V
Load Impedance (DUAL)	R _L	3	4	8	Ω
Load Impedance (BTL)	R _L	4		8	Ω
Voltage Gain	A _v	35	48		dB

7-74-03-01

ELECTRICAL CHARACTERISTICS ($V_{CC} = 15\text{ V}$, $R_L = 4\ \Omega$, $f = 1\text{ kHz}$, $T_A = 25\ ^\circ\text{C}$, $100 \times 100 \times 2\text{ mm Al Panel Heat Sink}$)

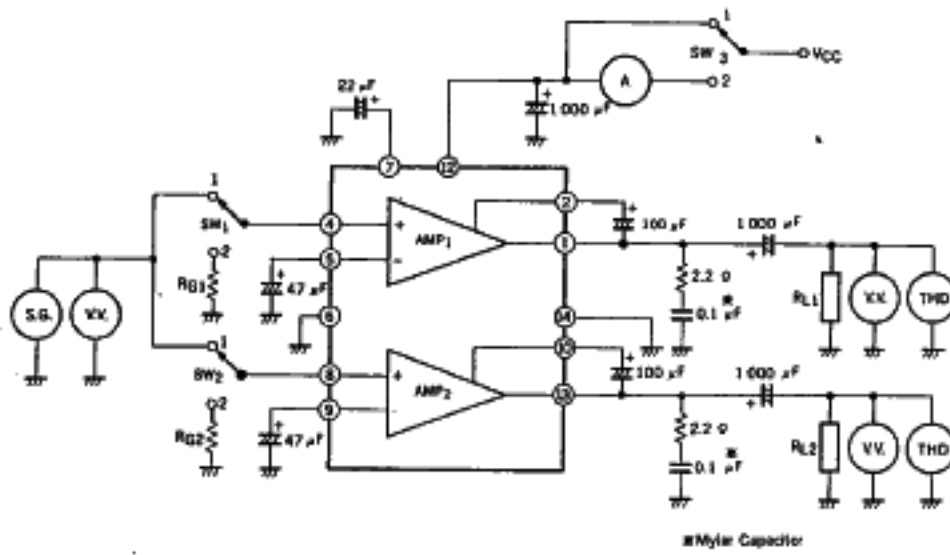
CHARACTERISTIC	SYMBOL	MIN.	TYP.	MAX.	UNIT	TEST CONDITION
Circuit Current	I_{CC}		23	38	mA	No Signal
Voltage Gain	A_V	46	46	50	dB	
Output Power	P_O		4.6		W	THD = 10 % $V_{CC} = 12\text{ V}$, $R_L = 4\ \Omega$
			5.7		W	THD = 10 % $V_{CC} = 12\text{ V}$, $R_L = 3\ \Omega$
		6	7		W	THD = 10 % $V_{CC} = 15\text{ V}$, $R_L = 4\ \Omega$
			5.5		W	THD = 10 % $V_{CC} = 18\text{ V}$, $R_L = 8\ \Omega$
			20		W	THD = 10 %, BTL $V_{CC} = 18\text{ V}$, $R_L = 8\ \Omega$
Total Harmonic Distortion	THD		0.2	1	%	$P_O = 1\text{ W}$
Output Noise Voltage	NL		0.25	0.5	mV _{r.m.s.}	DIN AUDIO $R_G = 0$
Cross Talk	C.T.	45	55		dB	$P_O = 2\text{ W}$ other Ch. $R_G = 0$
Channel Balance	Ch. B.	-1	0	+1	dB	$P_O = 4\text{ W}$
Ripple Rejection	SVR	45	55		dB	$R_G = 0$, $f = 100\text{ Hz}$ $V = 0.3\text{ V}_{r.m.s.}$
Input Impedance	Z_{in}	20	30		k Ω	

SWITCH POSITION

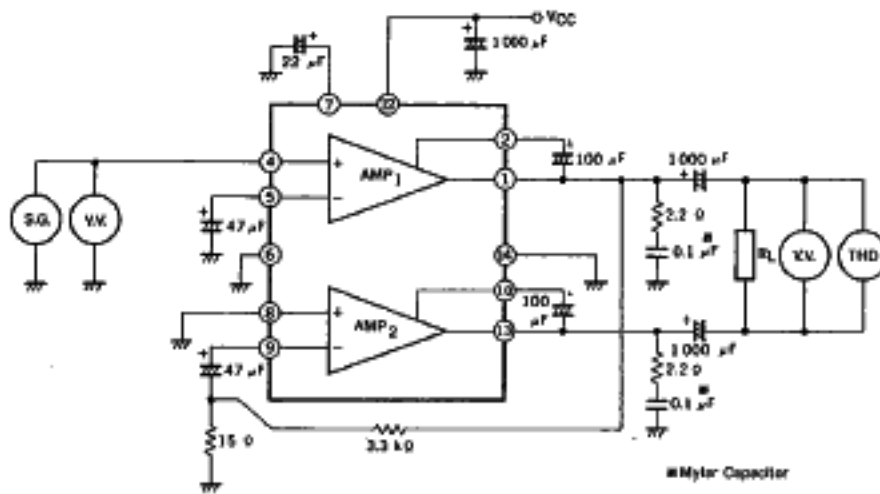
ITEM	SYMBOL	SW ₁	SW ₂	SW ₃
(DUAL OPERATION)				
Circuit Current	I_{CC}	2	2	2
Voltage Gain	A_V	1	1	1
Output Power	P_O	1	1	1
Total Harmonic Distortion	THD	1	1	1
Output Noise Voltage	NL	2	2	1
Cross Talk	C.T.	1/2	2/1	1
Channel Balance	Ch.B.	1	1	1
Supply Voltage Rejection	SVR	2	2	1
(BTL OPERATION)				
Output Power	P_O	-	-	-

TEST CIRCUIT
(DUAL OPERATION)

T-74-05-01



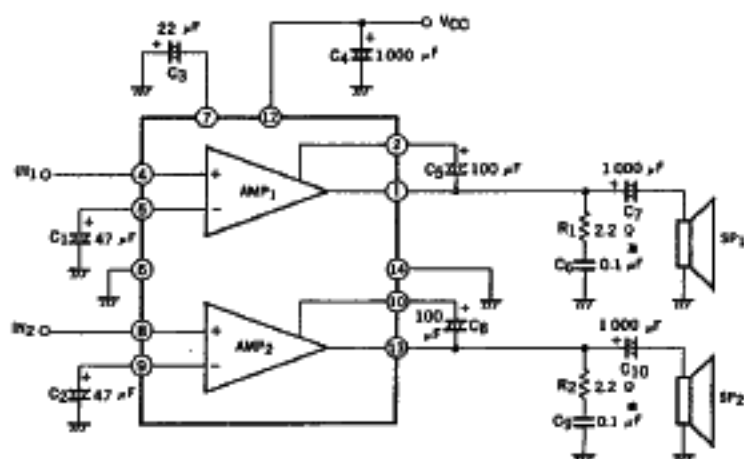
(BTL OPERATION)



5

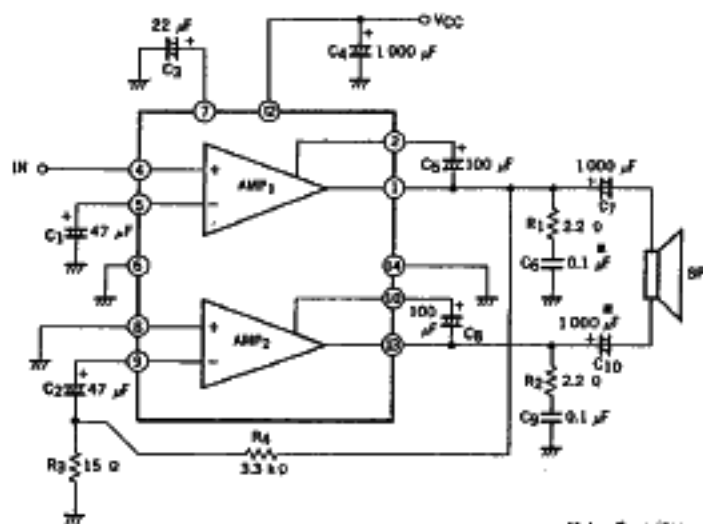
TYPICAL APPLICATION
(DUAL OPERATION)

T-74-05-01



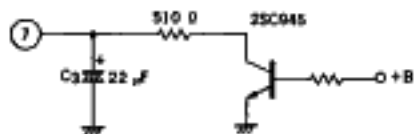
• Mylar Capacitor

(BTL OPERATION)



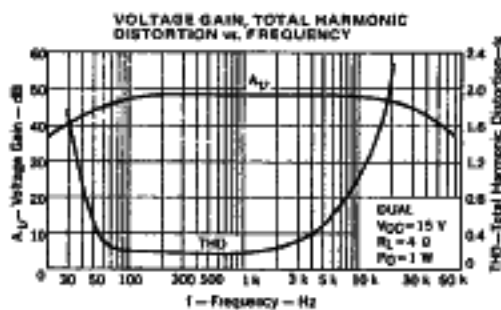
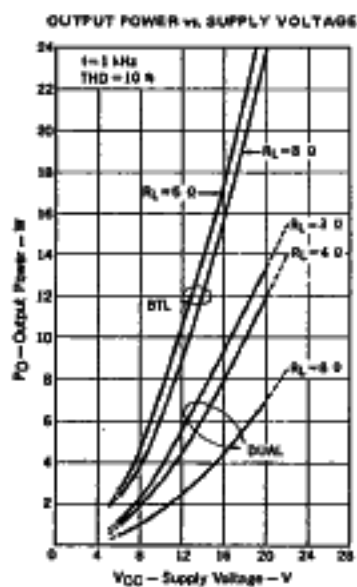
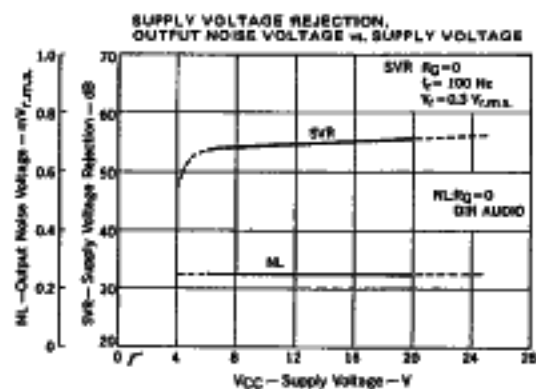
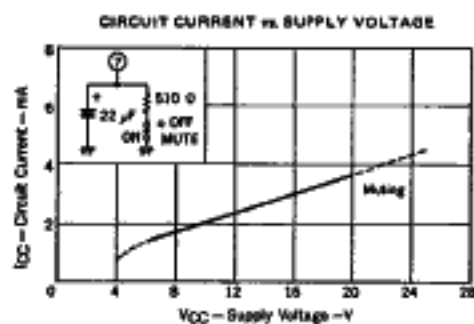
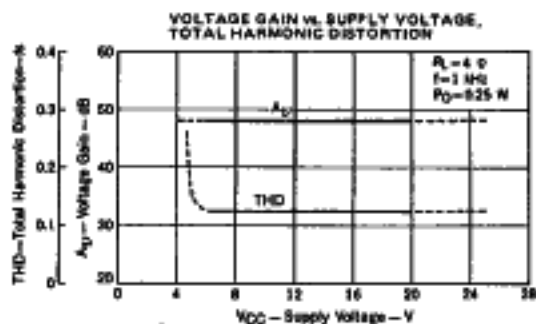
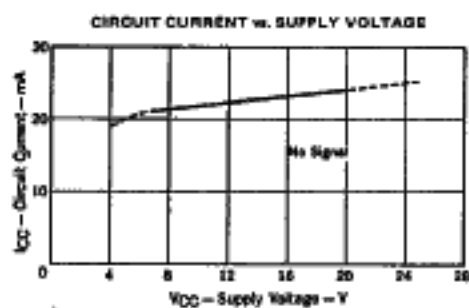
• Mylar Capacitor

(MUTING CIRCUIT)



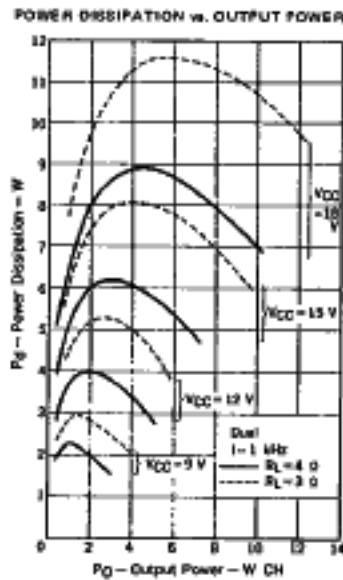
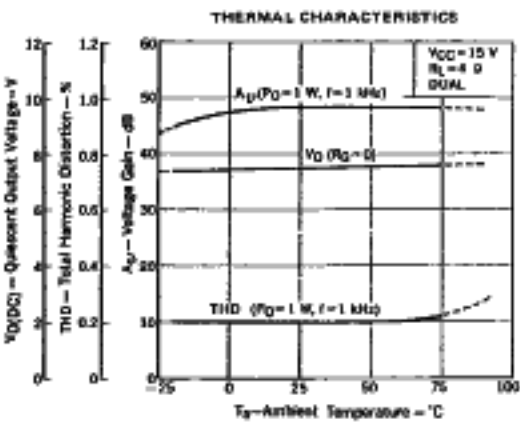
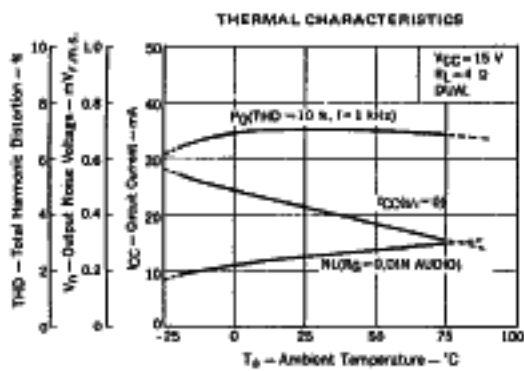
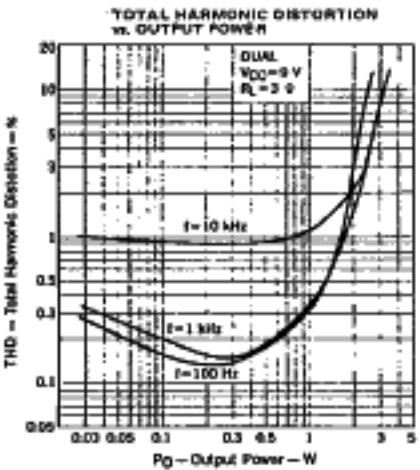
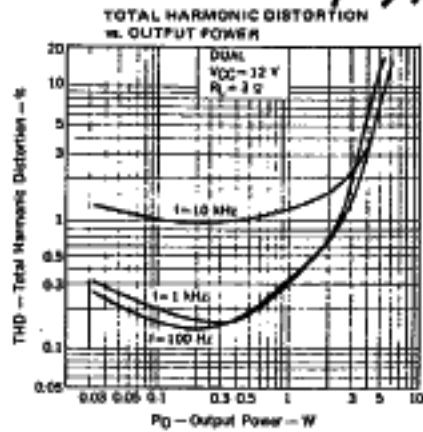
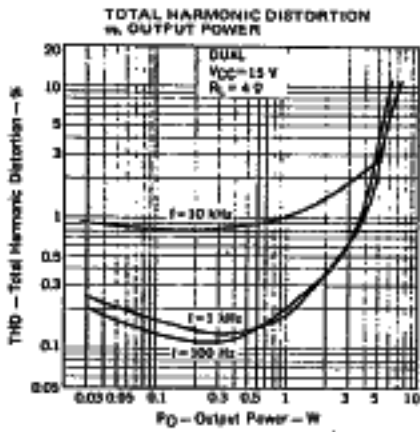
TYPICAL CHARACTERISTICS ($T_c = 25^\circ\text{C}$)

T-7405-01

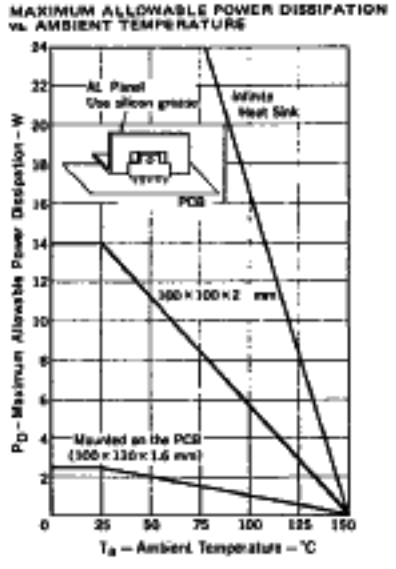
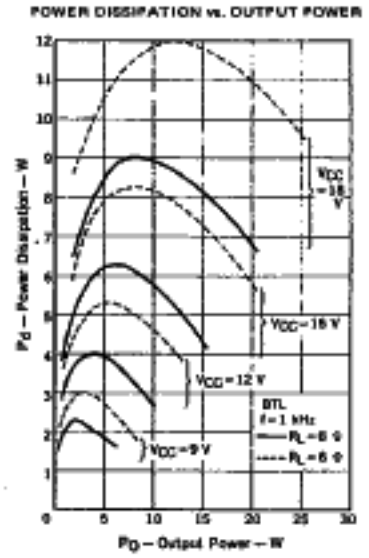
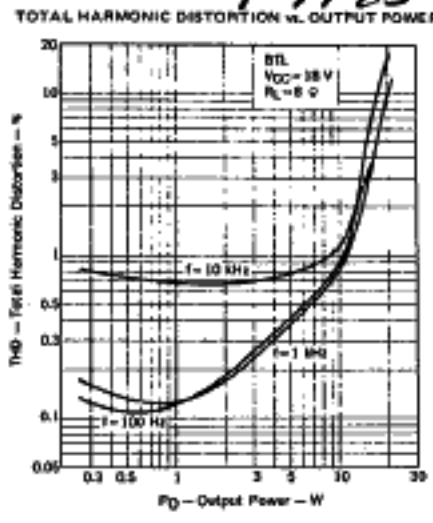
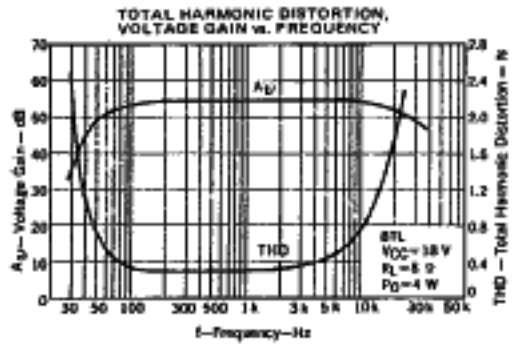


5

T-74-05-01



T-74-05-01



5

NOTES FOR USE

T-74-05-01

- (1) Adding a capacitor for phase compensation between Pin 1 (13) to Pin 3 (11), its value less than 47 pF is recommended, and the value of R_1 (R_2) and of C_6 (C_9) have to be chosen as follows.

$$R_1 (R_2) = 1 \Omega$$

$$C_6 (C_9) = 0.15 \mu\text{F}$$

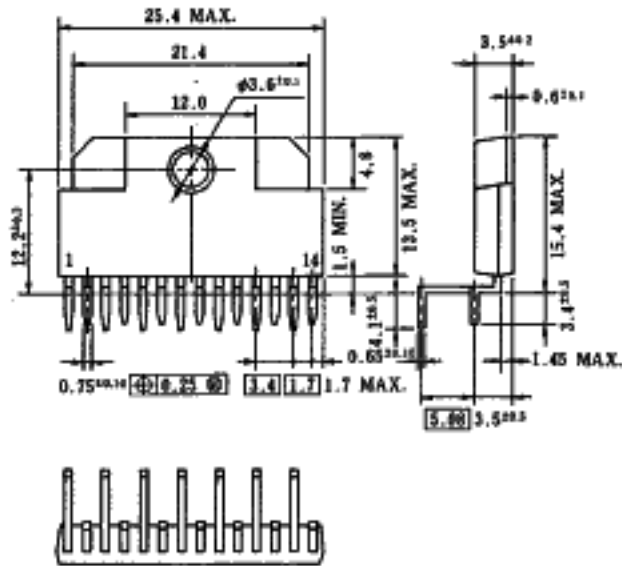
- (2) At muting by shortage of Pin 7 to GND, ripple rejection is determined by following equation.

$$\text{SVR} = \left| 20 \log \frac{R_L}{200 + R_L} \right|$$

- (3) Keep the $\mu\text{PC1336V}$'s heat sink in shortage to GND or floating condition.
(4) Direct shortage between Pin 1 (13) to V_{CC} or GND will damage the $\mu\text{PC1336V}$.
(5) Keep some margin at design of external heat sink size.
(6) Use silicon grease and keep the torque of screw driver less than 10 kg·cm in attachment of a external heat sink.

14 PIN V-DIP (Unit: mm)

T-74-05-01



5