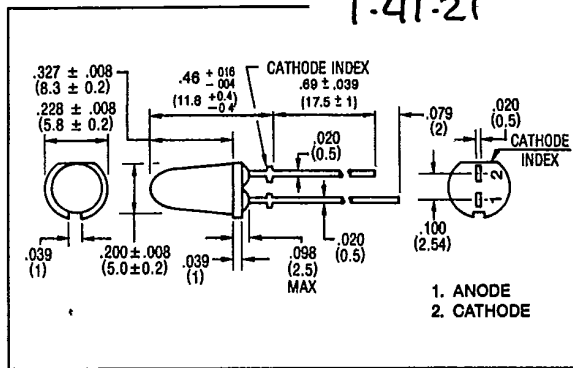


# TAPERED T-1<sup>3</sup>/<sub>4</sub> LED LAMPS

## FEATURES

- High brightness parts provide excellent backlighting.
- Available in Ultra Bright Green, Yellow or Red.
- Popular tapered package with standoffs.



## MAXIMUM RATINGS (Ta = 25°C)

PART NO.	FORWARD CURRENT (I <sub>F</sub> ) (mA)	REVERSE VOLTAGE (V <sub>R</sub> ) (V)	POWER DISSIPATION (P <sub>D</sub> ) (mW)	OPERATING TEMPERATURE (T <sub>opr</sub> ) (°C)	STORAGE TEMPERATURE (T <sub>stg</sub> ) (°C)
MT530-HR	25	4	70	-20 ~ 75	-30 ~ 100
MT540-HR	25	4	70	-20 ~ 75	-30 ~ 100
MT530-G	25	4	70	-20 ~ 75	-30 ~ 100
MT540-G	25	4	70	-20 ~ 75	-30 ~ 100
MT530-Y	25	4	70	-20 ~ 75	-30 ~ 100
MT540-Y	25	4	70	-20 ~ 75	-30 ~ 100
MT530-O	25	4	70	-20 ~ 75	-30 ~ 100
MT540-O	25	4	70	-20 ~ 75	-30 ~ 100
MT530-UR	25	4	55	-20 ~ 75	-30 ~ 100
MT540-UR	25	4	55	-20 ~ 75	-30 ~ 100
MT530-UG	25	4	70	-20 ~ 75	-30 ~ 100
MT540-UG	25	4	70	-20 ~ 75	-30 ~ 100
MT530-UY	25	4	70	-20 ~ 75	-30 ~ 100
MT540-UY	25	4	70	-20 ~ 75	-30 ~ 100

## OPTO-ELECTRICAL CHARACTERISTICS (Ta = 25°C)

PART NO.	MATERIAL	LENS COLOR	VIEWING ANGLE	LUMINOUS INTENSITY (mcd)		FORWARD VOLTAGE (V)			REVERSE CURRENT		PEAK WAVELENGTH (nm)	SPEC. LINE HALF WIDTH (nm)	
				typ.	min.	typ.	max.	at mA	μA	Vr			
MT530-HR	GaAsP/GaP	Red/Clear	10°	20	100	20	2.1	2.8	20	100	4	635	40
MT540-HR	GaAsP/GaP	Red/Diff.	20°	10	50	20	2.1	2.8	20	100	4	635	40
MT530-G	GaP/GaP	Green/Clear	10°	20	60	20	2.1	2.8	20	5	4	565	25
MT540-G	GaP/GaP	Green/Diff.	20°	8	30	20	2.1	2.8	20	5	4	565	25
MT530-Y	GaAsP/GaP	Yellow/Clear	10°	20	60	20	2.1	2.8	20	100	4	585	32
MT540-Y	GaAsP/GaP	Yellow/Diff.	20°	8	30	20	2.1	2.8	20	100	4	585	32
MT530-O	GaAsP/GaP	Orange/Clear	10°	20	60	20	2.1	2.8	20	100	4	610	35
MT540-O	GaAsP/GaP	Orange/Diff.	20°	8	30	20	2.1	2.8	20	100	4	610	35
MT530-UR	GaAlAs	Red/Clear	10°	50	200	20	1.75	2.2	20	100	4	660	25
MT540-UR	GaAlAs	Red/Diff.	20°	15	100	20	1.75	2.2	20	100	4	660	25
MT530-UG	GaP/GaP	Green/Clear	10°	60	120	20	2.1	2.8	20	5	4	565	25
MT540-UG	GaP/GaP	Green/Diff.	20°	20	60	20	2.1	2.8	20	5	4	565	25
MT530-UY	GaAsP/GaP	Yellow/Clear	10°	60	120	20	2.1	2.8	20	100	4	585	32
MT540-UY	GaAsP/GaP	Yellow/Diff.	20°	20	60	20	2.1	2.8	20	100	4	585	32

**marktech** 120 Broadway • Menands, New York 12204 • (518) 436-5865 • FAX: (518) 436-5877