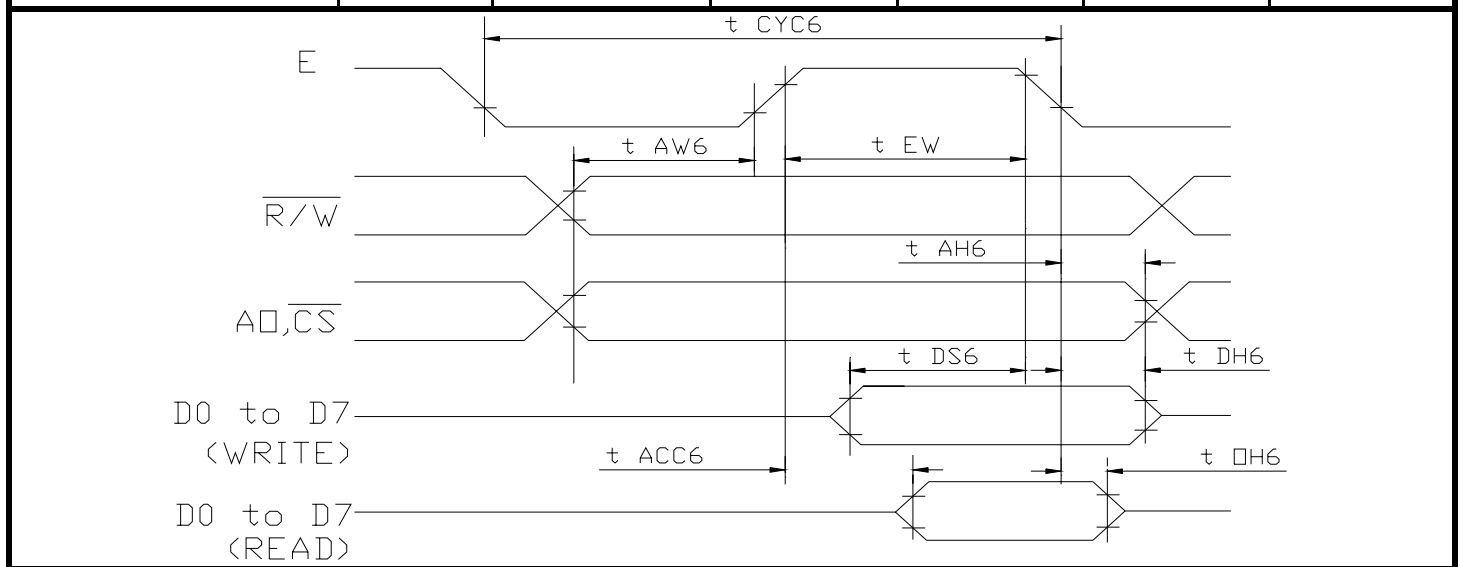




SG12232A (122 DOTS X 32 DOTS)

■ TIMING CHARACTERISTICS

ITEM	SYMBOL	MIN.	TYP.	MAX.	UNIT.
System Cycle Time	t_{CYC6}	1000	-	-	ns
Address Set-up Time	t_{AW6}	20	-	-	ns
Address Hold Time	t_{AH6}	10	-	-	ns
Data Set-up Time	t_{DS6}	80	-	-	ns
Data Hold Time	t_{DH6}	10	-	-	ns
Output Disable Time	t_{OH6}	10	-	60	ns
Access Time	t_{ACC6}	-	-	90	ns
Enable Pulse Width	Read	100	-	-	ns
	Write	80	-	-	ns



■ BLOCK DIAGRAM

