

# DATA SHEET

## **TDA1551Q**

**2 x 22 W BTL car radio power  
amplifier with diagnostic facility**

Preliminary specification  
File under Integrated Circuits, IC01

July 1994

## 2 x 22 W BTL car radio power amplifier with diagnostic facility

TDA1551Q

### FEATURES

- Requires very few external components
- Flexible in use - quad, single ended or stereo BTL
- I<sup>2</sup>C-bus control
- Dynamic distortion detector
- Thermal protection
- Output status information
- Power supply dip detection
- High output power
- MUTE/sleep mode by writing to I<sup>2</sup>C-bus
- Stand-by mode
- Fixed gain
- Good ripple rejection
- Load dump protection
- AC/DC short circuit safe to ground and  $V_P$
- Reverse polarity safe
- Low offset voltage at output
- Capable of handling high energy at outputs ( $V_P = 0$  V)



- Electrostatic discharge protection
- No switch-ON/switch-OFF plop
- Flexible leads
- Low thermal resistance
- Identical inputs (inverting and non-inverting).

### DESCRIPTION

The TDA1551Q is an integrated class-B output amplifier encased in a 17-lead single-in-line plastic power package. The device contains 4 × 11 W single-ended (SE) or 2 × 22 W BTL amplifiers and is intended for use in car radio applications.

### QUICK REFERENCE DATA

SYMBOL	PARAMETER	CONDITIONS	MIN.	TYP.	MAX.	UNIT
$V_P$	supply voltage range	operating	6	14.4	18	V
$V_P$	supply voltage	non-operating	–	–	30	V
$I_P$	total quiescent current		–	80	160	mA
<b>Quad-single-ended application</b>						
$P_o$	output power	$R_L = 4 \Omega$ ; THD = 10 %	–	6	–	W
		$R_L = 2 \Omega$ ; THD = 10 %	–	11	–	W
$V_{no}$	output voltage noise	$R_S = 0 \Omega$	–	50	–	$\mu$ V
<b>Stereo BTL application</b>						
$P_o$	output power	$R_L = 4 \Omega$ ; THD = 10 %	–	22	–	W
$V_{no}$	output voltage noise	$R_S = 0 \Omega$	–	70	–	$\mu$ V
$\Delta V_o$	DC output offset voltage		–	–	100	mV

### ORDERING INFORMATION

EXTENDED TYPE NUMBER	PACKAGE			
	PINS	PIN POSITION	MATERIAL	CODE
TDA1551Q	17	SIL bent to DIL	plastic	SOT243R <sup>(1)</sup>

### Note

1. SOT243-1; 1996 September 06.

2 x 22 W BTL car radio power amplifier  
with diagnostic facility

TDA1551Q

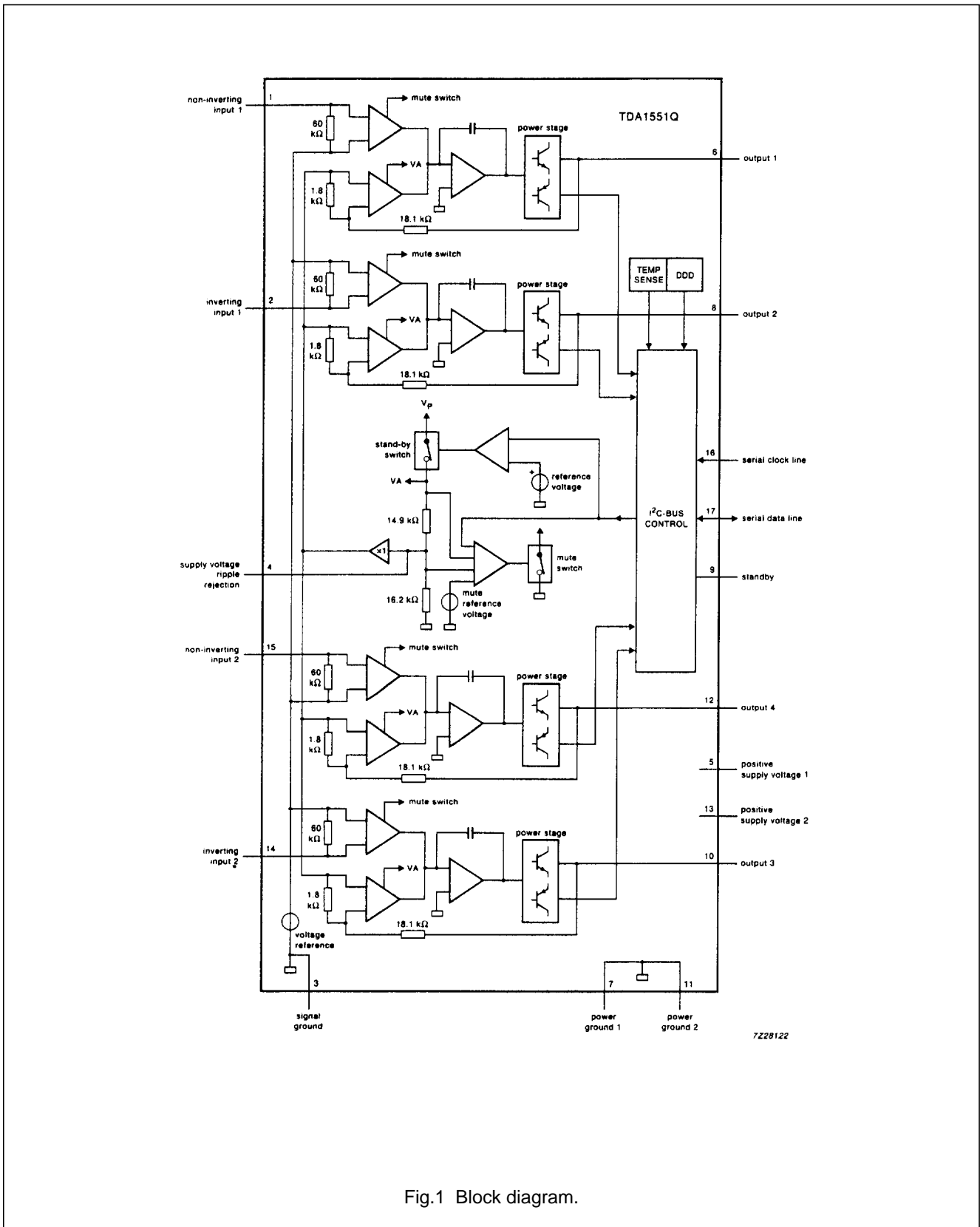


Fig.1 Block diagram.

2 x 22 W BTL car radio power amplifier  
with diagnostic facility

TDA1551Q

**PINNING**

SYMBOL	PIN	DESCRIPTION
-INV1	1	non-inverting input 1
INV1	2	inverting input 1
GND	3	signal ground
V <sub>PRR</sub>	4	supply voltage ripple rejection
V <sub>p1</sub>	5	positive supply voltage 1
OUT1	6	output 1
GND1	7	power ground 1
OUT2	8	output 2
SB	9	standby
OUT3	10	output 3
GND2	11	power ground 2
OUT4	12	output 4
V <sub>p2</sub>	13	positive supply voltage 2
INV2	14	inverting input 2
-INV2	15	non-inverting input 2
SCL	16	serial clock line
SDA	17	serial data line

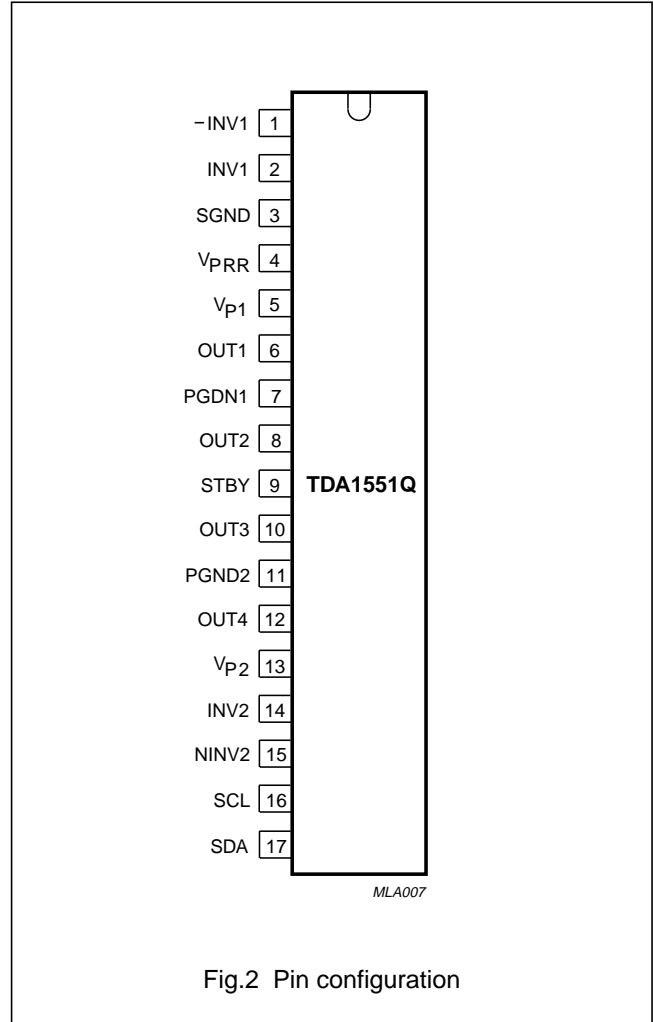


Fig.2 Pin configuration

## 2 x 22 W BTL car radio power amplifier with diagnostic facility

TDA1551Q

### FUNCTIONAL DESCRIPTION

The TDA1551Q contains four identical amplifiers with differential input stages (two inverting and two non-inverting) which can be used in SE or BTL applications. The gain of each amplifier is fixed at 20 dB for SE and 26 dB for BTL. The device also contains an I<sup>2</sup>C-bus facility which operates in the read or write mode.

In the **write** mode the device can be switched to either the sleep condition (low sleep current of 0.6 mA typ.), the MUTE condition or the ON condition.

In the **read** mode an 8-bit status word is available. Data bits D0 to D3 contain status information of each of the 4 outputs. If the device is switched to the ON or MUTE condition and there is a short-circuit at one or more outputs, the power transistors will be outside their safe operating area consequently one or more bits of D0 to D3 will be HIGH. Bits D0 to D3 are LOW when in the normal safe operating area. Bit D4 is normally LOW if one or more channels reaches the clipping level D4 will go HIGH. Bit D5 is normally LOW, if the crystal temperature reaches 150 °C D5 will go HIGH. After a power-on reset bit 7 will go HIGH and a dip in the power supply will be noticed. Bit 7 will go LOW after the I<sup>2</sup>C-bus is read. When pin 9 is LOW the device will switch OFF and the supply current will be reduced to 0.1 mA (max.).

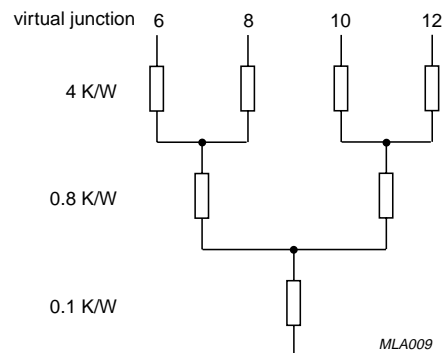


Fig.3 Thermal equivalent resistance network.

## 2 x 22 W BTL car radio power amplifier with diagnostic facility

TDA1551Q

### LIMITING VALUES

In accordance with the Absolute Maximum System (IEC134)

SYMBOL	PARAMETER	MIN.	MAX.	UNIT
<b>Supply voltage</b>				
$V_P$	operating voltage	–	18	V
$V_P$	non-operating voltage	–	30	V
	load dump protect	–	45	V
IOSM	non-repetitive peak output current	–	6	A
IORM	repetitive peak output current	–	4	A
$T_{stg}$	storage temperature range	–55	150	°C
$T_C$	crystal temperature	–	150	°C
$V_{Psc}$	AC/DC short-circuit safe voltage	–	18	V
	energy handling capability at outputs ( $V_P = 0$ )	–	200	mJ
$V_{Pr}$	reverse polarity	–	6	V
$P_{tot}$	total power dissipation	–	60	W

### QUALITY SPECIFICATION

#### Electrostatic handling.

SYMBOL	PINS	MIN.	MAX.	UNIT
<b>Human body model; <math>R_S = 1500 \Omega</math>; <math>C = 100 \text{ pF}</math></b>				
$V_{es}$	1, 2, 14, 15, 16, and 17	–1.5	+1.5	kV
	other	–2	+2	kV
<b>Machine model; <math>R_S = 0 \Omega</math>; <math>C = 200 \text{ pF}</math></b>				
$V_{es}$	1, 2, 14, 15, 16, and 17	–100	+100	V
	other	–200	+200	V

### THERMAL RESISTANCE

SYMBOL	PARAMETER	THERMAL RESISTANCE
$R_{th j-c}$	from junction to case (Fig.3)	1.5 K/W
$R_{th j-a}$	from junction to ambient in free air	40 K/W

## 2 x 22 W BTL car radio power amplifier with diagnostic facility

TDA1551Q

### DC CHARACTERISTICS

$V_P = 14.4$  V;  $T_{amb} = 25^\circ\text{C}$  measurements in accordance with Fig.6 unless otherwise stated.

SYMBOL	PARAMETER	CONDITIONS	MIN.	TYP.	MAX.	UNIT
<b>Supply</b>						
$V_P$	supply voltage	note 1	6	14.4	18	V
$I_P$	quiescent current		–	80	160	mA
$V_O$	DC output voltage	note 2	–	6.9	–	V
$ \Delta V_o $	DC output offset voltage		–	–	100	mV
<b>MUTE/sleep/standby</b>						
$V_O$	output signal in MUTE position	$V_{I(max)} = 1$ V; $f = 20$ Hz to 10 kHz	–	–	2	mV
$I_P$	DC current in sleep condition	$V_9 > 3$ V	–	0.6	1	mA
$I_P$	DC current in standby condition	$V_9 < 2$ V	–	–	0.1	mA
$ \Delta V_o $	DC output offset voltage		–	–	100	mV

## 2 x 22 W BTL car radio power amplifier with diagnostic facility

TDA1551Q

### AC CHARACTERISTICS

$V_P = 14.4\text{ V}$ ;  $T_{\text{amb}} = 25^\circ\text{C}$ ;  $f = 1\text{ kHz}$ ;  $R_L = 4\ \Omega$ ; unless otherwise specified.

SYMBOL	PARAMETER	CONDITIONS	MIN.	TYP.	MAX.	UNIT
<b>Stereo BTL application (Fig.7)</b>						
$P_O$	output power	THD = 0.5%	15	17	-	W
			20	22	-	W
$P_O$	output power	$V_P = 13.2\text{V}$	-	12	-	W
		THD = 0.5%	-	17	-	W
		THD = 10%	-	-	-	-
THD	total harmonic distortion	$P_O = 1\text{ W}$	-	0.05	-	%
B	power bandwidth	THD = 0.5%; $P_O = -1\text{ dB}$ with respect to 15 W	-	20 - 15000	-	Hz
$f_{\text{LOW}}$	low frequency roll-off	at -3 dB; note 3	-	25	-	Hz
$f_{\text{HIGH}}$	high frequency roll-off	at -1 dB	20	-	-	kHz
$G_V$	closed loop voltage gain		25	26	27	dB
$V_{\text{PRR}}$	supply voltage ripple rejection	ON; note 4	48	-	-	dB
		MUTE; note 4	48	-	-	dB
		standby; note 4	80	-	-	dB
$ Z_i $	input impedance		25	30	38	k $\Omega$
$V_{\text{no}}$	noise output voltage	ON; $R_S = 0$ ; note 5	-	70	-	$\mu\text{V}$
		ON; $R_S = 10\text{ k}\Omega$ ; note 5	-	100	200	$\mu\text{V}$
		MUTE; notes 5 and 6	-	60	-	$\mu\text{V}$
$\alpha$	channel separation	$R_S = 10\text{ k}\Omega$	40	-	-	dB
$ \Delta G_V $	channel unbalance		-	-	1	dB
	dynamic distortion detector switch level		-	3.5	-	%
<b>Quad single-ended application (Fig.6)</b>						
$P_O$	output power	THD = 0.5%; note 7	4	5	-	W
		THD = 10%; note 7	5.5	6	-	W
$P_O$	output power	$R_L = 2\ \Omega$				
		THD = 0.5%; note 7	7.5	8.5	-	W
		THD = 10%; note 7	10	11	-	W
THD	total harmonic distortion	$P_O = 1\text{ W}$	-	0.05	-	%
$f_{\text{LOW}}$	low frequency roll-off	at -3 dB; note 3	-	25	-	Hz
$f_{\text{HIGH}}$	high frequency roll-off	at -1 dB	20	-	-	kHz
$G_V$	closed loop voltage gain		19	20	21	dB
$V_{\text{PRR}}$	supply voltage ripple rejection	ON; note 4	48	-	-	dB
		MUTE; note 4	48	-	-	dB
		stand-by; note 4	80	-	-	dB
$ Z_i $	input impedance		50	60	75	k $\Omega$
$V_{\text{no}}$	noise output voltage	ON; $R_S = 0$ ; note 5	-	50	-	$\mu\text{V}$
		ON; $R_S = 10\text{ k}\Omega$ ; note 5	-	70	100	$\mu\text{V}$



## 2 x 22 W BTL car radio power amplifier with diagnostic facility

TDA1551Q

SYMBOL	PARAMETER	CONDITIONS	MIN.	TYP.	MAX.	UNIT
		MUTE; notes 5 and 6	–	60	–	$\mu\text{V}$
$\alpha$	channel separation	$R_S = 10 \text{ k}\Omega$	40	–	–	dB
$ \Delta G_V $	channel unbalance		–	–	1	dB
	dynamic distortion detector switch level		–	3.5	–	%
<b>I<sup>2</sup>C-bus (see I<sup>2</sup>C-bus protocol)</b>						
$V_{IH}$	input voltage HIGH		3	–	5.5	V
$V_{IL}$	input voltage LOW		– 0.3	–	1.5	V
$I_{IH}$	input current HIGH	$V = 5.5 \text{ V}$	–10	–	10	$\mu\text{A}$
$I_{IL}$	input current LOW	$V = \text{GND}$	–10	–	10	$\mu\text{A}$
$V_{OL}$	output voltage LOW	$I_L = 3 \text{ mA}$	–	–	0.4	V
<b>Power-on reset (increasing supply voltage)</b>						
$V_P$	start of reset		0.5	–	–	V
	end of reset		–	–	5	V
<b>Standby (pin 9)</b>						
$V_9$	input voltage HIGH		3	–	$V_P$	V
	input voltage LOW		–	–	2	V

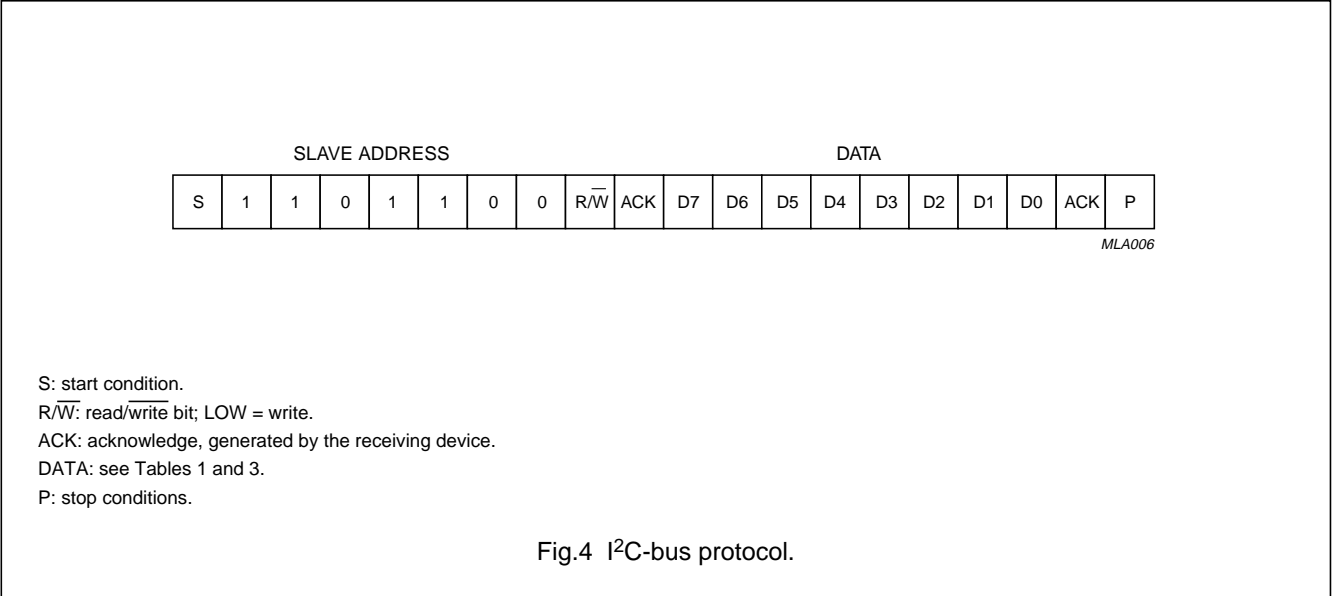
### Notes to the characteristics

1. The circuit is DC adjusted at  $V_P = 6 \text{ V}$  and AC operating at  $V_P = 8 \text{ to } 18 \text{ V}$ .
2. At  $18 \text{ V} < V_P < 30 \text{ V}$  the DC output voltage  $< V_P/2$ .
3. Frequency response externally fixed.
4. Ripple rejection measured at the output with a source impedance of  $0 \Omega$  and at frequency of 100 Hz to 10 kHz (amplitude =  $2 \text{ V(p-p)}$ ).
5. Noise voltage measured in a bandwidth of 20 Hz to 20 kHz.
6. Noise output voltage independent of  $R_S$  ( $V_I = 0 \text{ V}$ ).
7. Output power is measured directly at the output pins of the IC.

2 x 22 W BTL car radio power amplifier  
with diagnostic facility

TDA1551Q

I<sup>2</sup>C-bus protocol



**Table 1** WRITE definition (R/W = LOW)

MSB		DATA						LSB	Function
D7	D6	D5	D4	D3	D2	D1	D0		
0	0	0	0	0	0	0	0	SLEEP condition	
0	0	0	0	0	0	0	1	MUTE condition	
0	0	0	0	0	0	1	0	not allowed <sup>(1)</sup>	
0	0	0	0	0	0	1	1	ON condition <sup>(2)</sup>	

**Notes**

1. For test purposes only; I<sup>2</sup>C-bus is in the ON condition, amplifier is in the stand-by condition.
2. To get into the ON condition without switch-on pops, the device should be switched from the SLEEP condition to the MUTE condition and then, after a period of 150 ms, to the ON condition.

Bit D0 switches from SLEEP to the ON condition

Bit D1 switches the MUTE condition

## 2 x 22 W BTL car radio power amplifier with diagnostic facility

TDA1551Q

**Table 2** READ definition ( $R/\overline{W}$  = HIGH)

<b>D7</b> <sup>(1)(2)</sup>	<b>D6</b>	<b>D5</b> <sup>(3)(4)</sup>	<b>D4</b> <sup>(5)(6)</sup>	<b>D3</b> <sup>(7)</sup>	<b>D2</b> <sup>(7)</sup>	<b>D2</b> <sup>(7)</sup>	<b>D0</b> <sup>(7)</sup>
-----------------------------	-----------	-----------------------------	-----------------------------	--------------------------	--------------------------	--------------------------	--------------------------

**Notes**

1. LOW after reading I<sup>2</sup>C-bus.
2. HIGH after power-on reset.
3. LOW if crystal temperature < 150°C.
4. HIGH if crystal temperature reaches 150°C.
5. LOW if not clipping.
6. HIGH if one or more channels are clipping.
7. output status information.

If the device is sinewave driven bit D4 will be HIGH if the THD in one or more channels exceeds 3.5%.

**Table 3** Fault conditions

DATA				MSB	FUNCTION
D3	D2	D1	D0		
0	0	0	0		all output power transistors in the normal safe operating condition
–	–	–	1		fault condition pin 6
–	–	1	–		fault condition pin 8
–	1	–	–		fault condition pin 10
1	–	–	–		fault condition pin 12

If more outputs are in a fault condition (e.g. short-circuit) then more bits, D3 to D0, will be HIGH.

2 x 22 W BTL car radio power amplifier  
with diagnostic facility

TDA1551Q

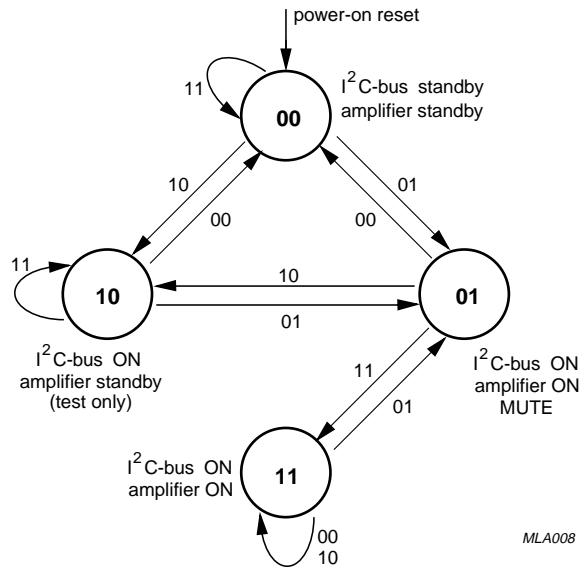
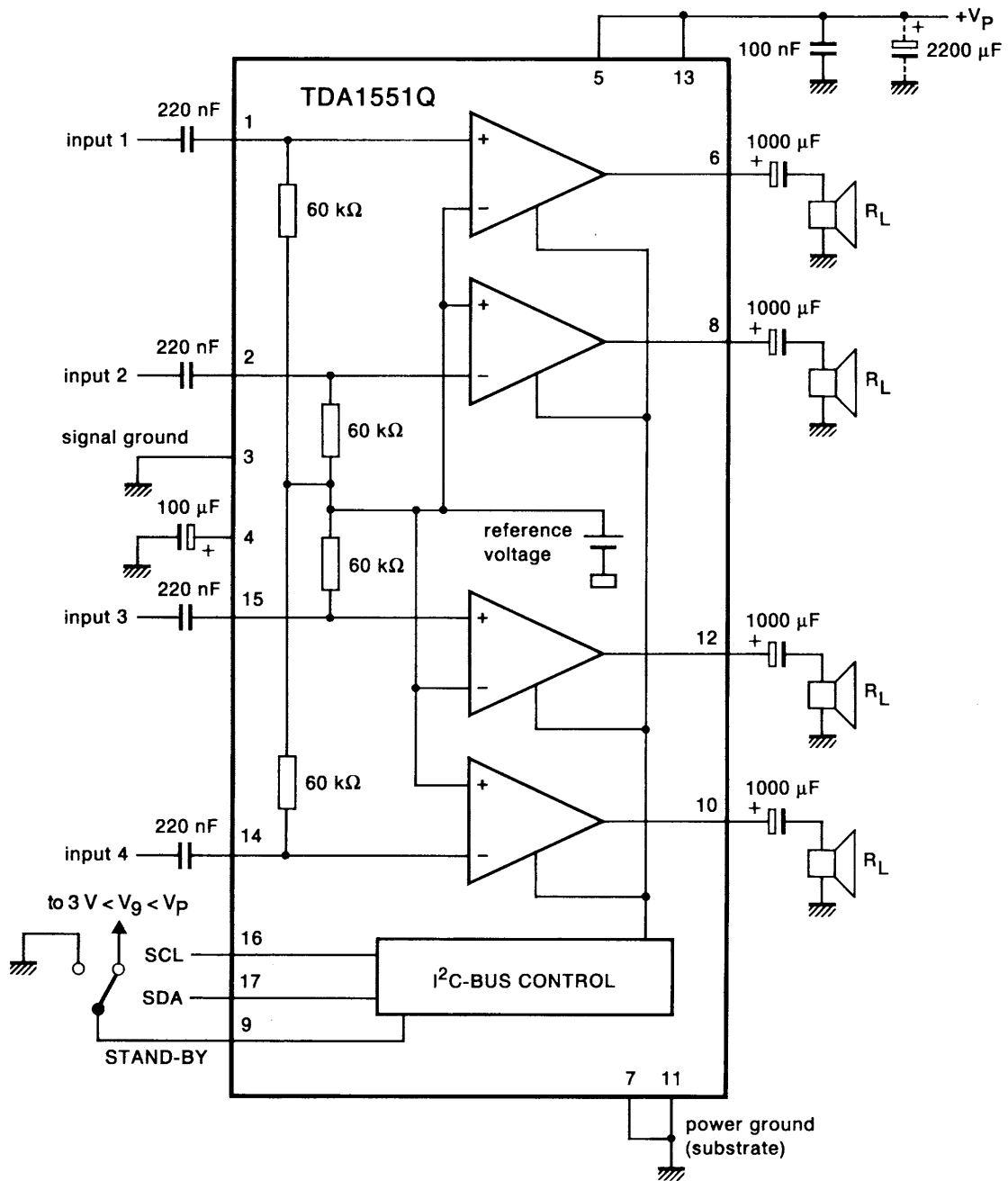


Fig.5 State diagram.

2 x 22 W BTL car radio power amplifier  
with diagnostic facility

TDA1551Q



7Z28121

Fig.6 Test circuit quad single-ended.

2 x 22 W BTL car radio power amplifier  
with diagnostic facility

TDA1551Q

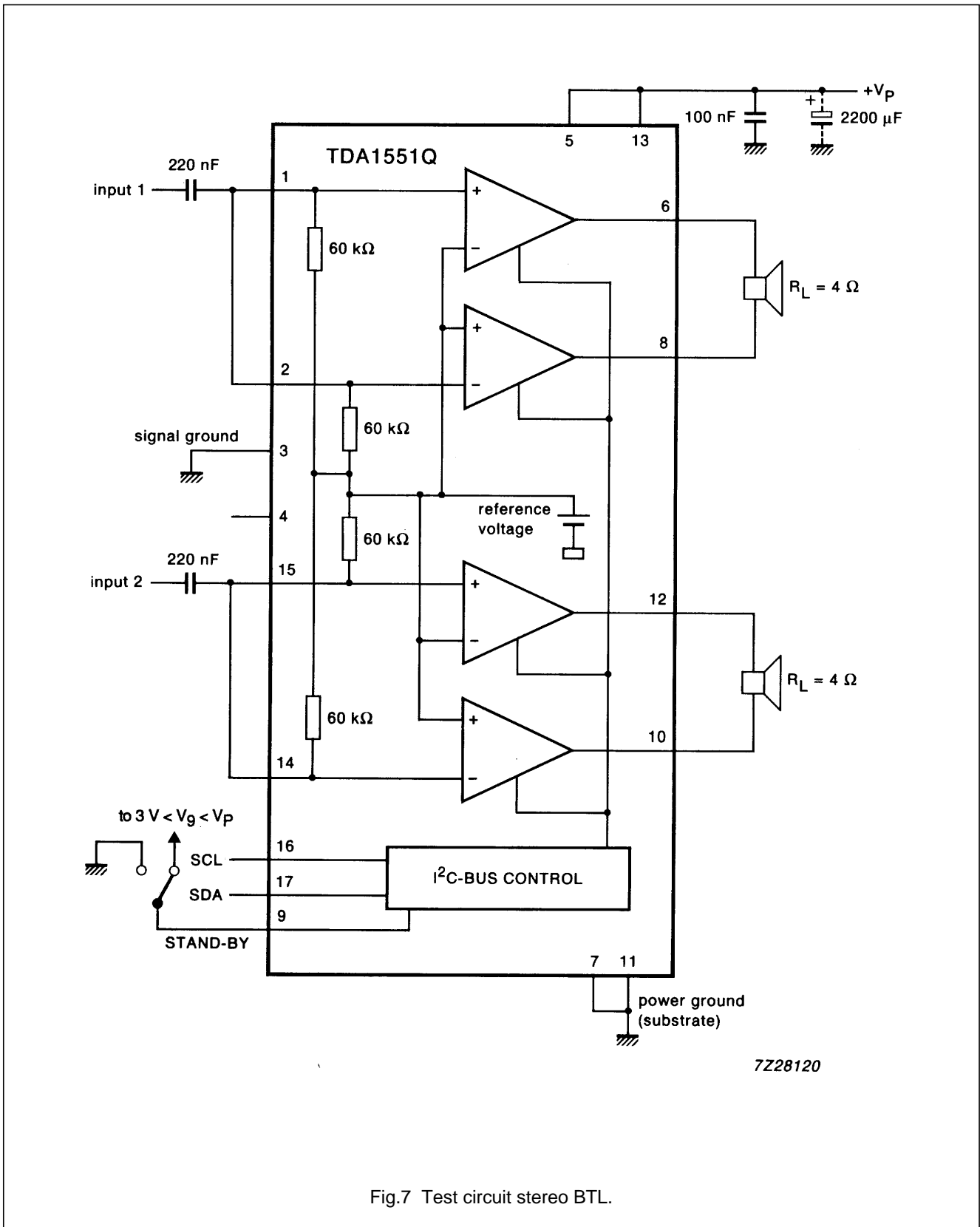


Fig.7 Test circuit stereo BTL.

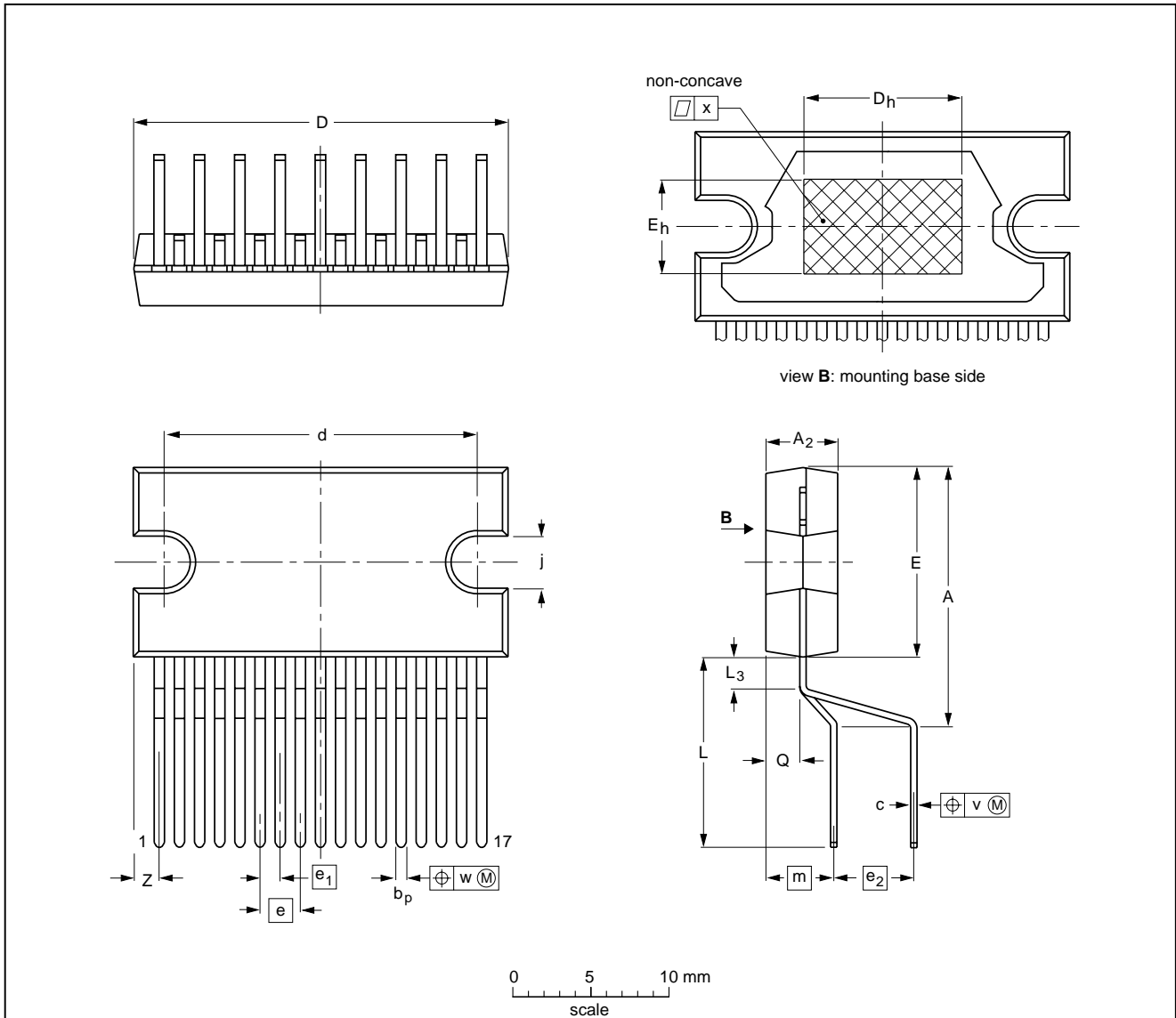
2 x 22 W BTL car radio power amplifier  
with diagnostic facility

TDA1551Q

PACKAGE OUTLINE

DBS17P: plastic DIL-bent-SIL power package; 17 leads (lead length 12 mm)

SOT243-1



DIMENSIONS (mm are the original dimensions)

UNIT	A	A <sub>2</sub>	b <sub>p</sub>	c	D <sup>(1)</sup>	d	D <sub>h</sub>	E <sup>(1)</sup>	e	e <sub>1</sub>	e <sub>2</sub>	E <sub>h</sub>	j	L	L <sub>3</sub>	m	Q	v	w	x	Z <sup>(1)</sup>
mm	17.0 15.5	4.6 4.2	0.75 0.60	0.48 0.38	24.0 23.6	20.0 19.6	10	12.2 11.8	2.54	1.27	5.08	6	3.4 3.1	12.4 11.0	2.4 1.6	4.3	2.1 1.8	0.8	0.4	0.03	2.00 1.45

Note

1. Plastic or metal protrusions of 0.25 mm maximum per side are not included.

OUTLINE VERSION	REFERENCES				EUROPEAN PROJECTION	ISSUE DATE
	IEC	JEDEC	EIAJ			
SOT243-1						95-03-11 97-12-16

---

**2 x 22 W BTL car radio power amplifier  
with diagnostic facility**

---

**TDA1551Q****SOLDERING****Introduction**

There is no soldering method that is ideal for all IC packages. Wave soldering is often preferred when through-hole and surface mounted components are mixed on one printed-circuit board. However, wave soldering is not always suitable for surface mounted ICs, or for printed-circuits with high population densities. In these situations reflow soldering is often used.

This text gives a very brief insight to a complex technology. A more in-depth account of soldering ICs can be found in our "*IC Package Databook*" (order code 9398 652 90011).

**Soldering by dipping or by wave**

The maximum permissible temperature of the solder is 260 °C; solder at this temperature must not be in contact with the joint for more than 5 seconds. The total contact time of successive solder waves must not exceed 5 seconds.

The device may be mounted up to the seating plane, but the temperature of the plastic body must not exceed the specified maximum storage temperature ( $T_{stg\ max}$ ). If the printed-circuit board has been pre-heated, forced cooling may be necessary immediately after soldering to keep the temperature within the permissible limit.

**Repairing soldered joints**

Apply a low voltage soldering iron (less than 24 V) to the lead(s) of the package, below the seating plane or not more than 2 mm above it. If the temperature of the soldering iron bit is less than 300 °C it may remain in contact for up to 10 seconds. If the bit temperature is between 300 and 400 °C, contact may be up to 5 seconds.



## 2 x 22 W BTL car radio power amplifier with diagnostic facility

TDA1551Q

### DEFINITIONS

<b>Data sheet status</b>	
Objective specification	This data sheet contains target or goal specifications for product development.
Preliminary specification	This data sheet contains preliminary data; supplementary data may be published later.
Product specification	This data sheet contains final product specifications.
<b>Limiting values</b>	
Limiting values given are in accordance with the Absolute Maximum Rating System (IEC 134). Stress above one or more of the limiting values may cause permanent damage to the device. These are stress ratings only and operation of the device at these or at any other conditions above those given in the Characteristics sections of the specification is not implied. Exposure to limiting values for extended periods may affect device reliability.	
<b>Application information</b>	
Where application information is given, it is advisory and does not form part of the specification.	

### LIFE SUPPORT APPLICATIONS

These products are not designed for use in life support appliances, devices, or systems where malfunction of these products can reasonably be expected to result in personal injury. Philips customers using or selling these products for use in such applications do so at their own risk and agree to fully indemnify Philips for any damages resulting from such improper use or sale.

### PURCHASE OF PHILIPS I<sup>2</sup>C COMPONENTS



Purchase of Philips I<sup>2</sup>C components conveys a license under the Philips' I<sup>2</sup>C patent to use the components in the I<sup>2</sup>C system provided the system conforms to the I<sup>2</sup>C specification defined by Philips. This specification can be ordered using the code 9398 393 40011.