

DATA SHEET

Part No.	AN15524A
Package Code No.	T0220-7A

SEMICONDUCTOR COMPANY
MATSUSHITA ELECTRIC INDUSTRIAL CO., LTD.

Contents

■ Overview	3
■ Features	3
■ Applications	3
■ Package	3
■ Application Circuit Example	4
■ Block Diagram	6
■ Pin Descriptions	6
■ Absolute Maximum Ratings	7
■ Operating Supply Voltage Range	7
■ Electrical Characteristics	8
• Reference Data for Designing	8
■ Description of Test Circuits Test Methods	9
■ Technical Data	12
• Package Power Dissipation	13
• Safe Operation Area	14
■ Precautions for Application	15

AN15524A

Silicon Monolithic Bipolar IC

■ Overview

AN15524A are ICs for CRT vertical deflection output. AN15524A can directly drive a deflection coil with saw wave output from a signal processing IC.

With its maximum output current of 1.6 A[p-p], AN15524A are suitable for the use of driving of 14 inch to 21 inch monitors.

■ Features

- Vertical output circuit
- Built-in pump up circuit
- Built-in thermal protection circuit
- Absolute maximum rating 70 V
- Maximum output current 1.6 A[p-p]

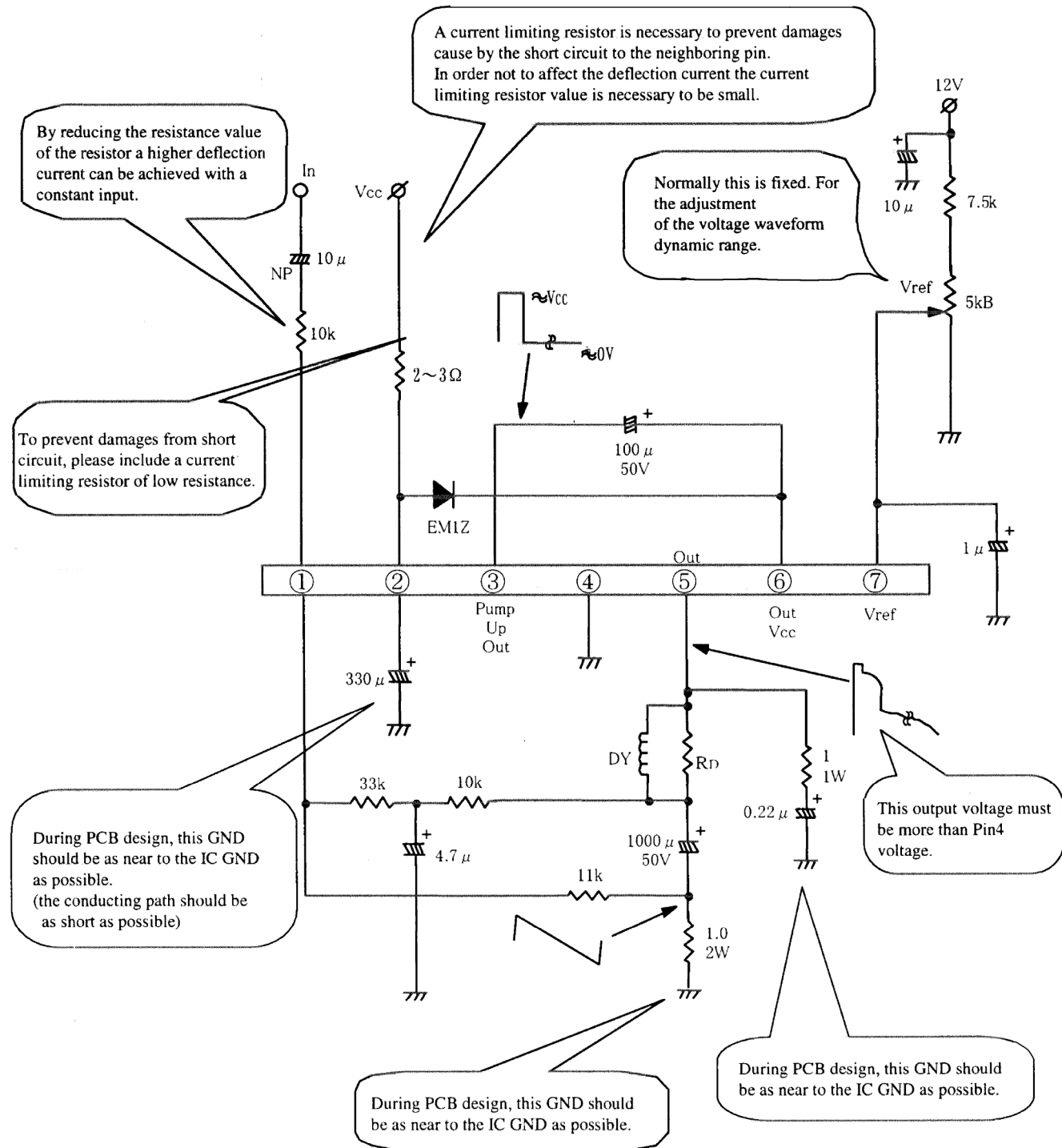
■ Applications

- CRT vertical output
- TV sets and displays

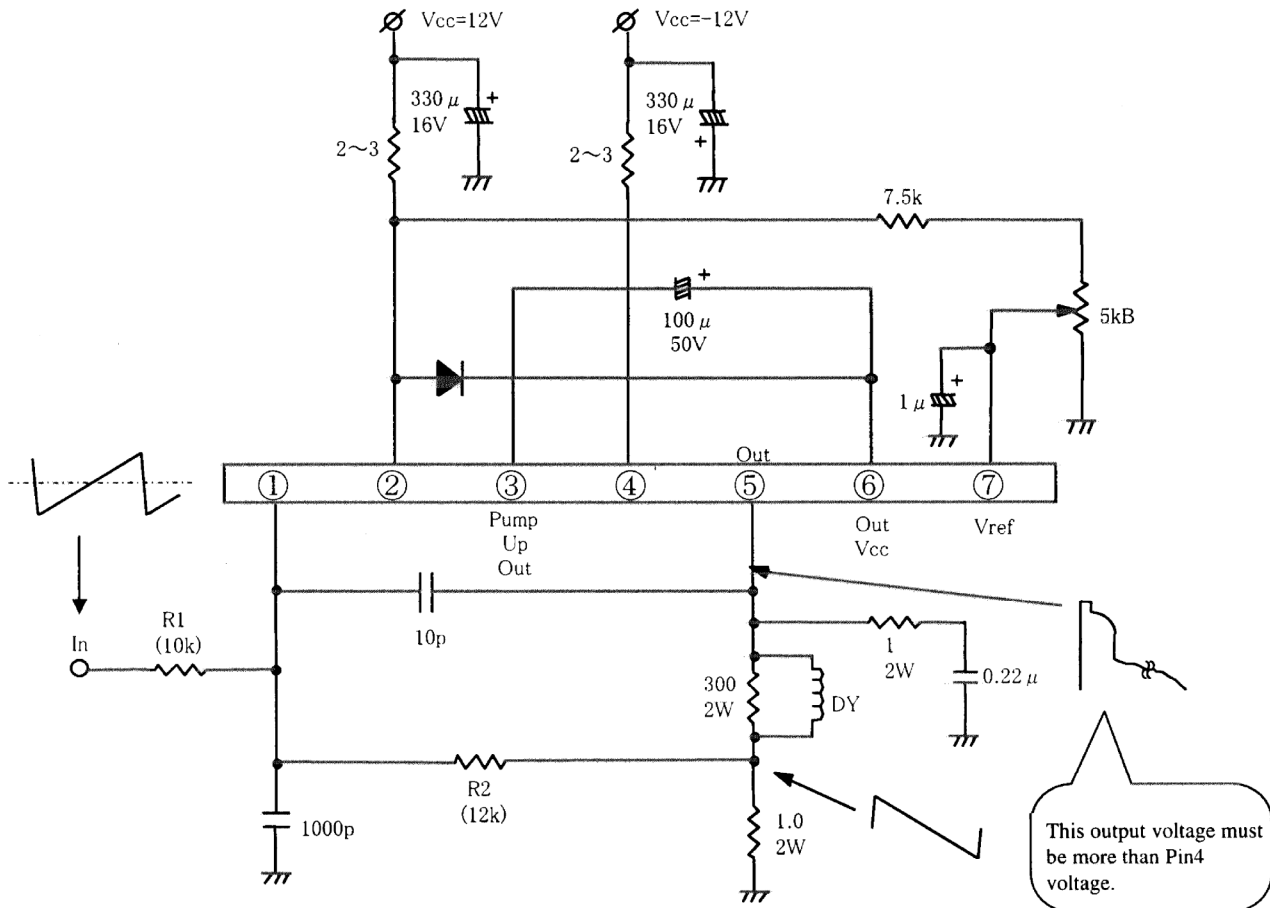
■ Package

- T0220-7pin Plastic Package with Fin

■ Application Circuit Example
 • AC Coupling

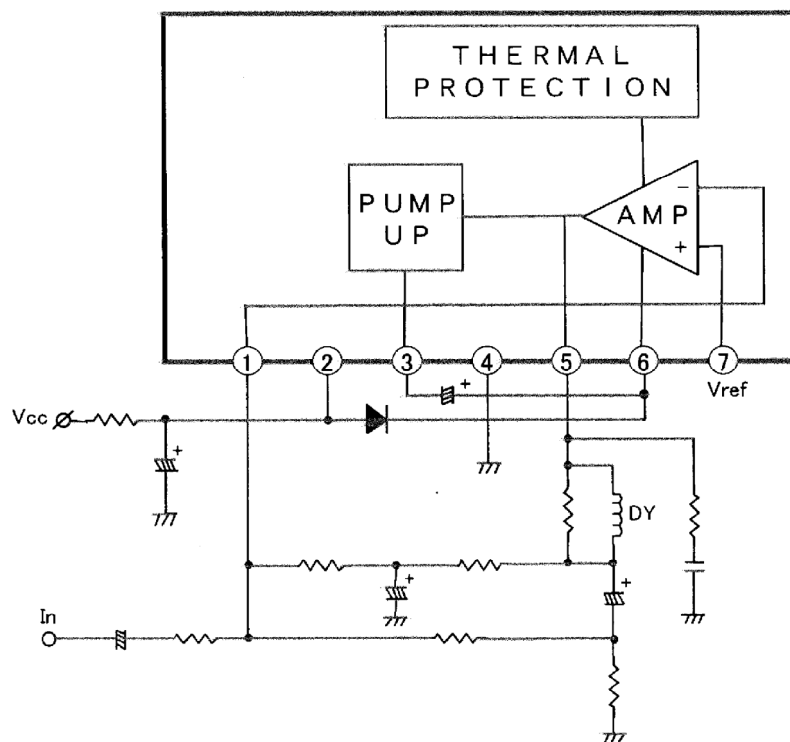


■ Application Circuit Example (continued)
 •DC Coupling



In order to get required gain, it is necessary to adjust the R1 and R2.

■ Block Diagram



■ Pin Descriptions

Pin No.	Pin name
1	Inverting input
2	Power supply
3	Pump-up output
4	GND
5	Vertical output
6	Vertical output power supply
7	Non-inverting input

■ Absolute Maximum Ratings

Absolute Maximum Ratings						
No.	Parameter	Symbol	Rating		Unit	Note
1	Storage temperature	T_{stg}	- 55 to +150		°C	* 1
2	Operating ambient temperature	T_{opr}	- 20 to +70		°C	* 1
3	Operating ambient atmospheric pressure	P_{opr}	$1.013 \times 10^5 \pm 0.61 \times 10^5$		Pa	
4	Operating constant gravity	G_{opr}	9 810		m/S ²	
5	Operating shock	S_{opr}	4 900		m/S ²	
6	Supply voltage	V_{CC2}	35		V	
7	Supply current	I_{CC2}	360		mA	
8	Power dissipation	P_D	1.5		W	* 2
9	Circuit voltage	V_{5-4}, V_{6-4}	0	70	V	
10	Circuit voltage	V_{7-4}, V_{1-4}	0	V_{2-4}	V	
11	Circuit current	I_5, I_3	- 1.5	1.5	A[o-p]	

Note) *1: Expect for the operating ambient temperature and storage temperature , all ratings are for $T_a = 25^\circ\text{C}$.

Note) *2: The power dissipation shall be at $T_a = 70^\circ\text{C}$ in free air, without heat sink. (refer to sheet no. 13)

■ Operating Supply Voltage Range

Parameter	Symbol	Range	Unit	Note
Operating supply voltage range	V_{CC2}	12 to 30	V	
Deflection output current	I_{5p-p}	to 1.6	A [p-p]	

■ Electrical Characteristics at 25°C ± 2°C

B No.	Parameter	Symbol	Test circuits	Conditions	Limits			Unit	Note
					Min	Typ	Max		
1	Mid-point current	V_{MID}	2	$V_{CC} = 24\text{ V}$	11.5	12	12.5	V	
2	Output saturation voltage (Lower)	V_{5-4}	3	$V_{CC} = 24\text{ V}$ $I_5 = 0.8\text{ A}$	—	1.5	2.5	V	
3	Output saturation voltage (Upper)	V_{6-5}	4	$V_{CC} = 24\text{ V}$ $I_5 = -0.8\text{ A}$	—	2.4	3.4	V	
4	Pump-up charge saturation voltage	V_{3-4}	5	$V_{CC} = 24\text{ V}$ $I_3 = 20\text{ mA}$	—	0.8	1.2	V	
5	Pump-up discharge saturation voltage	V_{2-3}	6	$V_{CC} = 24\text{ V}$ $I_3 = -0.8\text{ A}$	—	1.8	2.8	V	

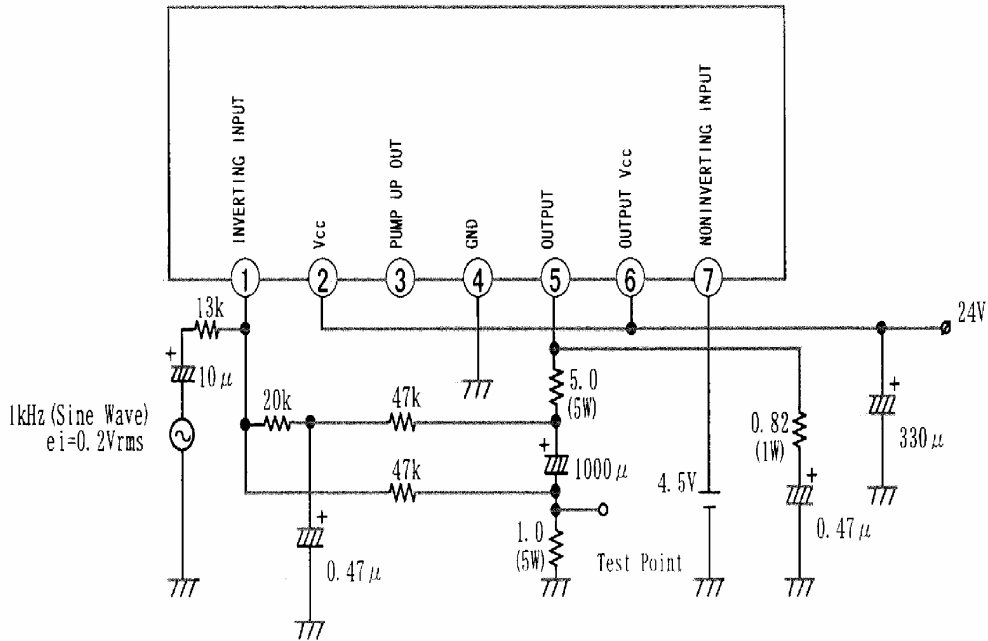
• Design reference data

b No.	Parameter	Symbol	Test circuits	Conditions	Reference			Unit	Note
					Min	Typ	Max		
1	Idling current	I_6	2	$V_{CC} = 24\text{ V}$	5	—	50	mA	
2	Thermal protection operating temperature	T_t	1	$V_{CC} = 24\text{ V}$ Temperature at output shutdown	150	—	—	°C	

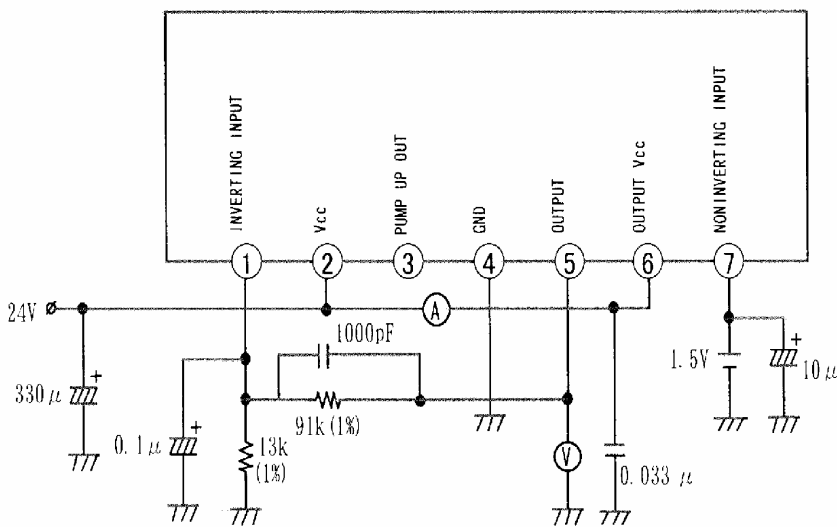
Note) The above characteristics are theoretical values for designing and not guarantee by 100% inspection.

■ Description of Test Circuits Test Methods

Test Circuit – 1 (Thermal Production Operating Temperature)



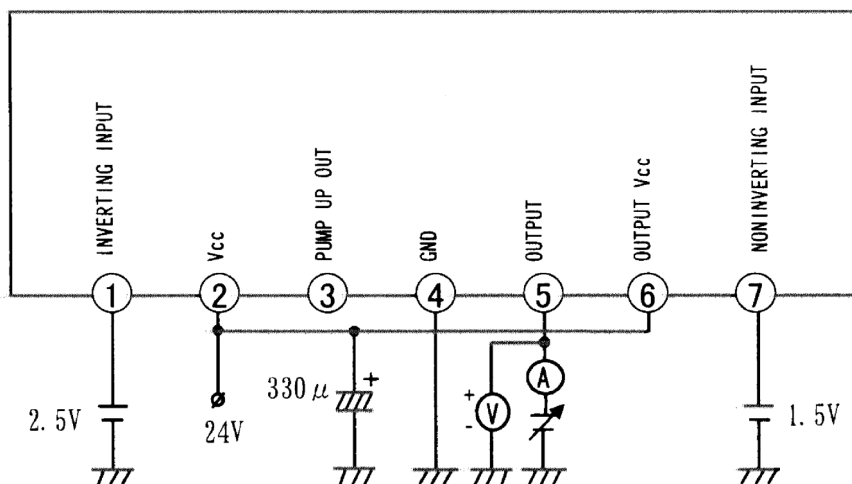
Test Circuit – 2 (Mid-point Voltage, Idling Current)



■ Description of Test Circuits Test Methods (continued)

Test Circuit – 3

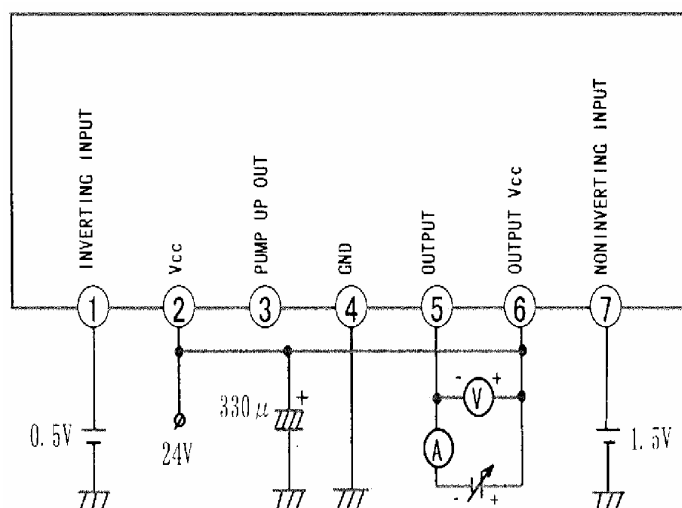
(Output Saturation Voltage (Lower))



Monitor the voltage when the current is 0.8 A.

Test Circuit – 4

(Output Saturation Voltage (Upper))



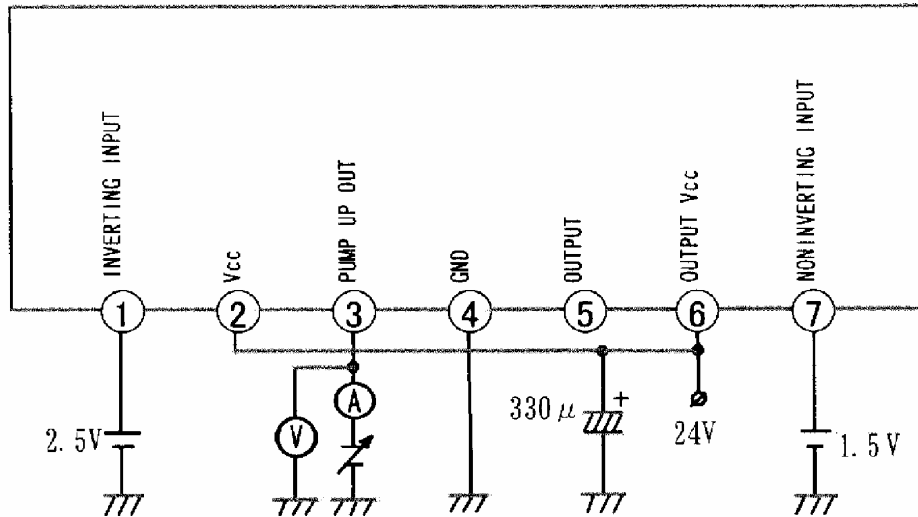
Monitor the voltage when the current is 0.8 A.

Note) : In case an external power supply is used, set the GND terminal open (floating).

■ Description of Test Circuits Test Methods (continued)

Test Circuit – 5

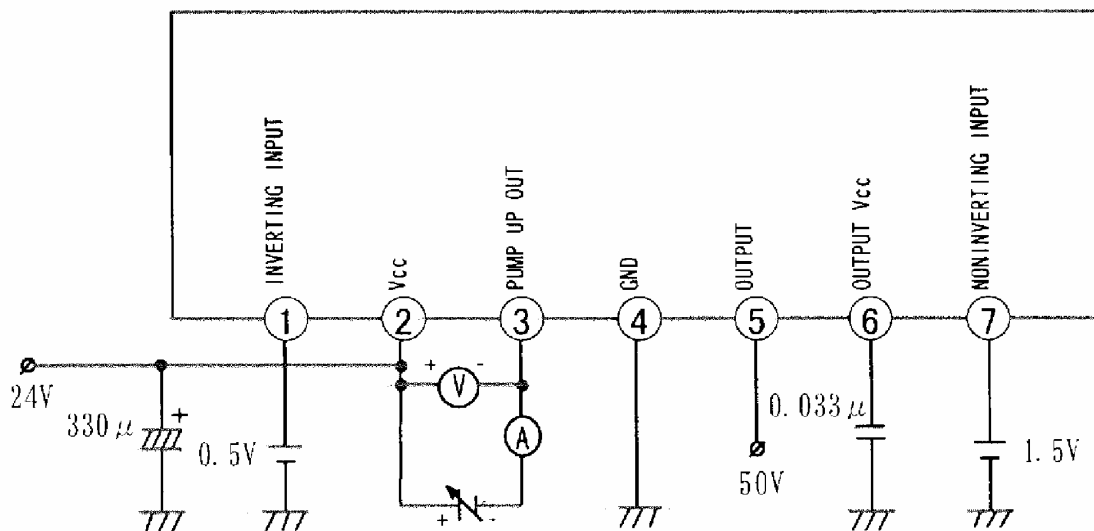
(Pump-up Charge Saturation Voltage)



Monitor the voltage when the current is 20 mA.

Test Circuit – 6

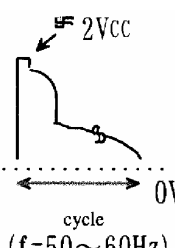
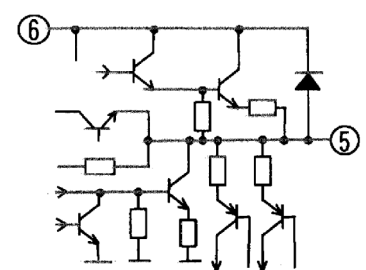
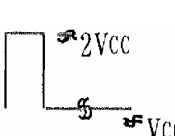
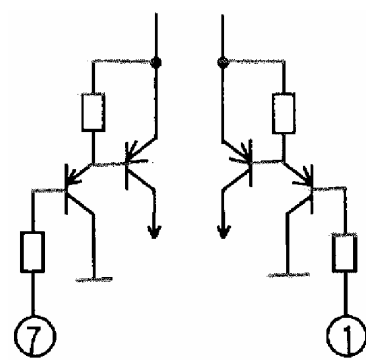

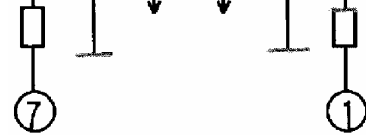
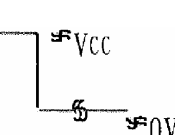
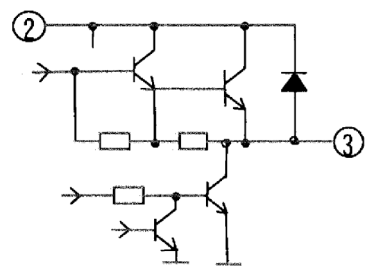
(Pump-up Discharge Saturation Voltage)



Monitor the voltage when the current is 0.8 A.

Note) : In case an external power supply is used, set the GND terminal open (floating).

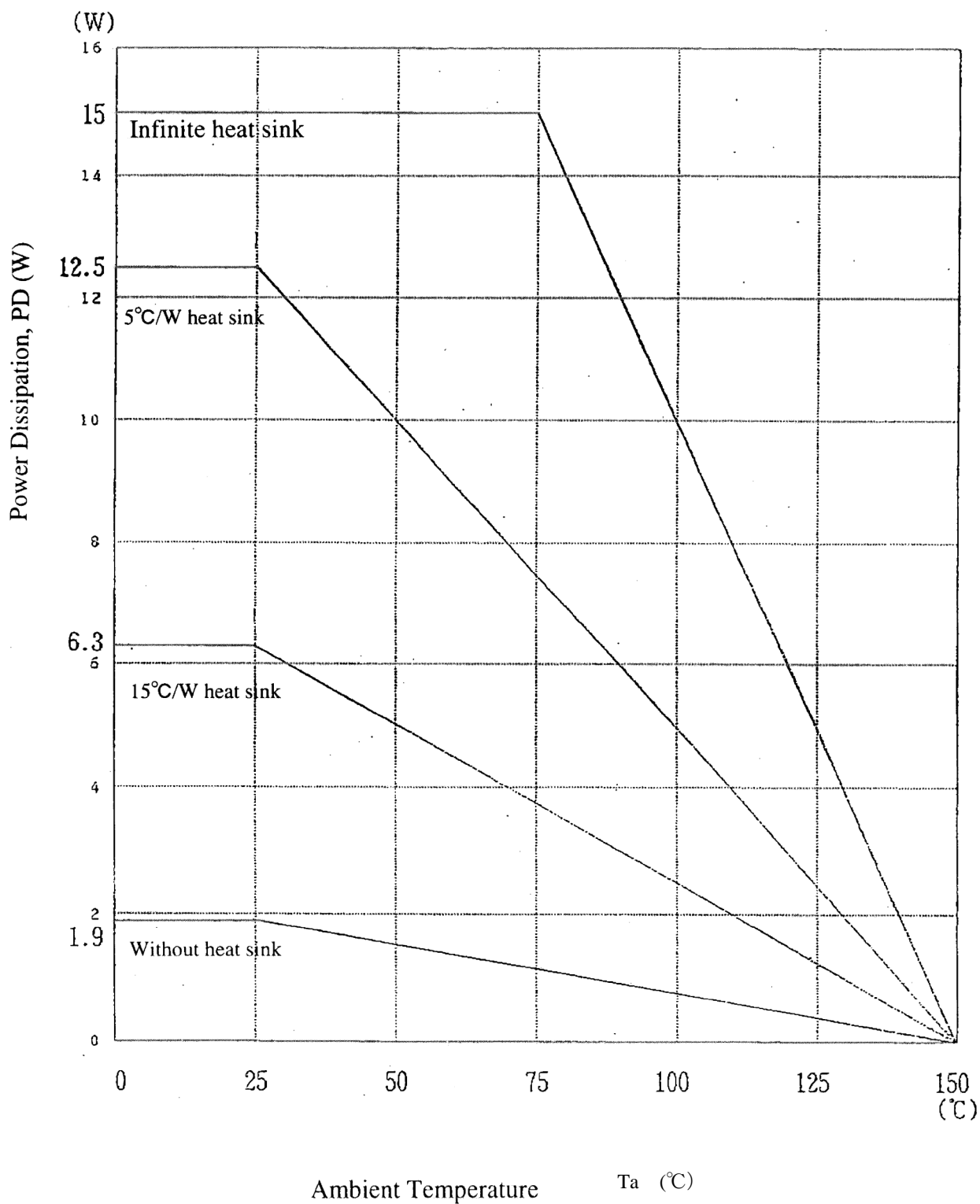
■ Technical Data

Pin No.	Pin name	Pin voltage (V)	Function	Equivalent circuit
4	GND	DC	—	—
5	Vertical output		A vertical deflection coil is connected and 1 A to 2 A of deflection current is provided through the pin. At this time, output voltage must be more than Pin 4 voltage.	
6	Vertical output power supply		About $V_{CC} \times 2$ for flyback period and $V_{CC} - V_D$ for the other period are supplied.	—
7	Non inverting input	DC External bias	About 2 V is supplied. Very high sensitivity may cause abnormal oscillation.	
1	Inverting input		Input signal and CR network for feedback are connected. Very high sensitivity.	
2	Power supply	DC	10 V to 29 V is supplied.	—
3	Pump-up output		A capacitor connected between this pin and pin 6 is charged and discharge during fryback pulse in order to supply about $V_{CC} \times 2$ to pin 6.	

■ Technical Data (continued)

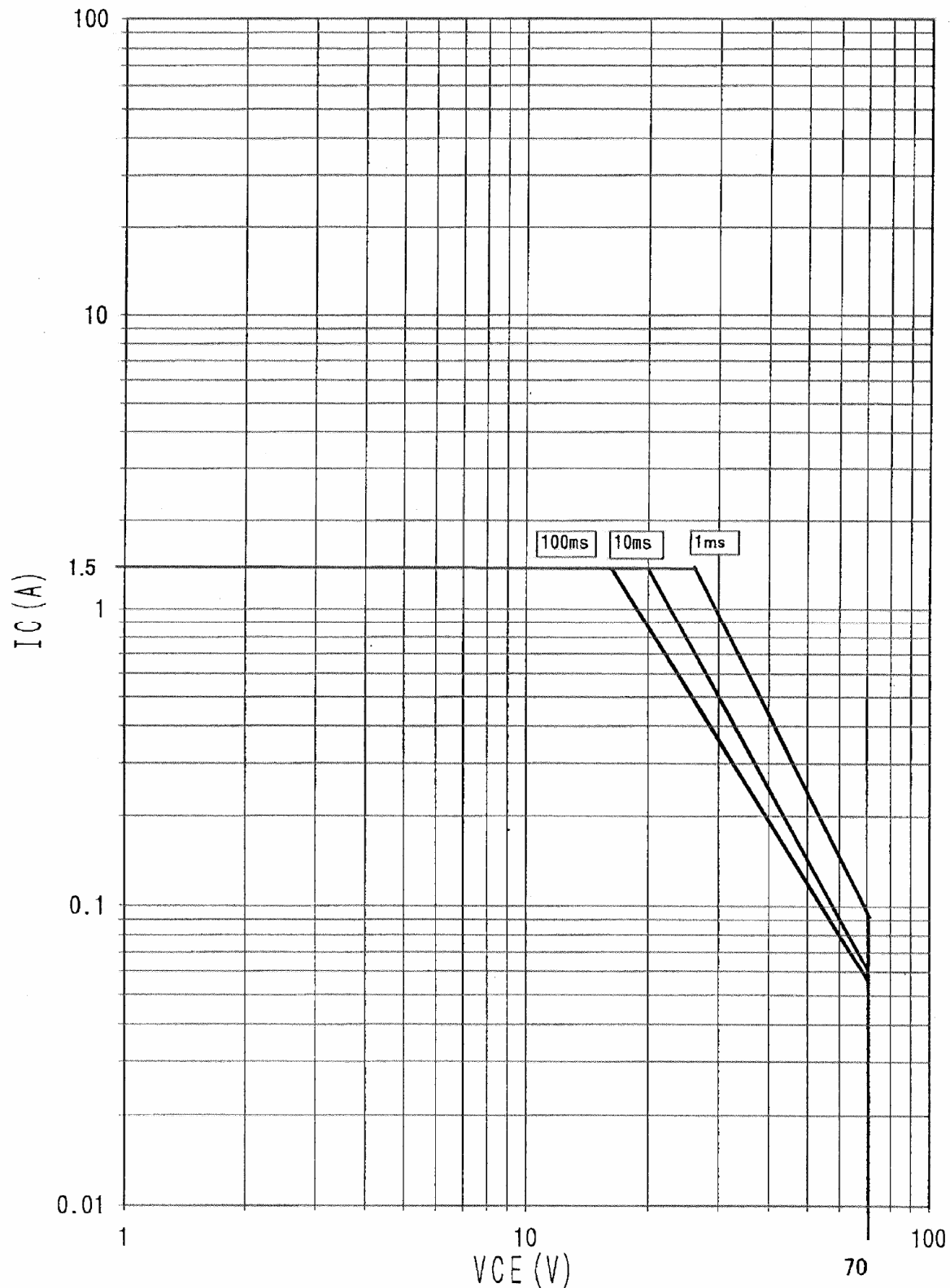
● Package Power Dissipation

$$P_D - T_a$$
$$R_{th(j-c)} = 5^\circ\text{C/W}$$
$$R_{th(j-a)} = 65^\circ\text{C/W}$$



- Technical Data (continued)
- Safe Operation Area

ASO DATA



■ Precautions for Application

Test result of short between pins

Test condition : $V_{CC} = 30\text{ V}$

DC power supply (30 V , 5 A)

1							
2	○						
3	○	○					
4	○	×	○				
5	○	○	○	×			
6	○	○	○	×	○		
7	○	○	○	○	○	○	
Pin No.	1	2	3	4	5	6	7
	INVERTING INPUT	V_{CC}	PUMP UP OUT	GND	OUTPUT	OUTPUT V_{CC}	NON INVERTING INPUT

○: No destruction of IC for pins short for 3secs.

×: Destruction of IC for pins short for 1second.

After destruction, continuous supply of V_{CC} may cause IC package to crack.

To prevent this problem, insert resistance (2 Ω to 3 Ω) for over current limited in V_{CC} line.

■ Precautions for Application (continued)

Maximum Current at Pin 3

This is a regulation of output peak current during the flyback period.

Operating Conditions

$$V_{CC} = 30 \text{ V}$$

$$I_{5p-p} = 1.6 \text{ A [p-p]}$$

In case of using external component shown in application circuit (page 4),

I_3 is tolerated up to 7 A ($I_3 \leq 7 \text{ A}$) with 0.1 m sec single pulse on condition that V_{2-3} is less than 30 V ($V_{2-3} \leq 30 \text{ V}$).

