

INTELLIGENT HIGH SIDE MOSFET POWER SWITCH

Features

- PWM Current Limit for Short Circuit Protection
- Over-Temperature Protection
- Active Output Negative Clamp
- Reverse Battery Protection for Logic Circuit
- Broken Ground Protection
- Short to V_{CC} Protection
- Low Noise Charge Pump
- Sleep Mode Supply Current
- 4kV ESD Protection On All Pins
- Logic Ground Isolated From Power Ground

General Description

The IR6311G is a monolithic HIGH SIDE SWITCH with built in short circuit, over- temperature, ESD, inductive load turn off capability and diagnostic feedback.

The on-chip protection circuit goes into PWM mode, limiting the average current during short circuit if the drain current exceeds 5A. The protection circuit latches off the high side switch if the junction temperature exceeds 170°C and latches on after the junction temperature falls by 10°C. The V_{cc} (drain) to OUT (source) voltage is actively clamped at 55V, improving its performance during turn off with inductive loads.

The on-chip charge pump high side driver stage is floating and referenced to the source of the power MOSFET. Thus the logic to power ground isolation can be as high as 50V. This allows operation with larger offset as well as controlling the switch during load energy recirculation or regeneration.

A diagnostic pin is provided for status feedback of short circuit, over temperature and open load detection.

V _{cc(op)}	5v-50v
R _{ds(on)}	150mΩ
I _{lim}	5A
T _{j(sd)}	170°C
E _{av}	100mJ

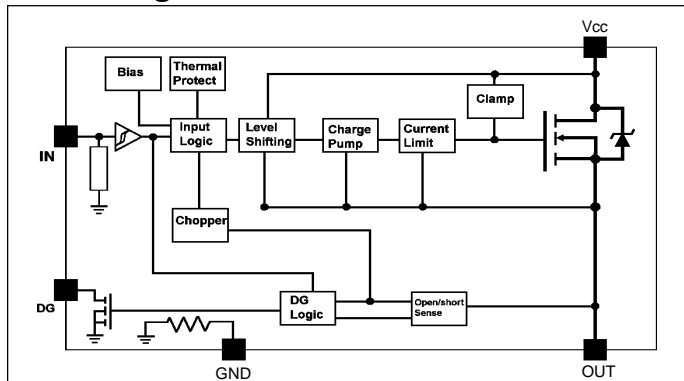
Applications

- Solenoid Driver
- Programmable Logic Controller

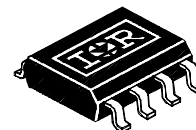
Truth Table

Condition	In	Out	Dg
Normal	H	H	H
Normal	L	L	L
Output Open	H	H	H
Output Open	L	H	H
Shorted Output	H	Current-Limiting PWM Mode	L
Shorted Output	L	L	L
Over-Temperature	H	L	L
Over-Temperature	L	L	L

Block Diagram



Available Packages



SO8 Package

IR6311G

International
 Rectifier

Absolute Maximum Ratings

Absolute Maximum Ratings indicate sustained limits beyond which damage to the device may occur. ($T_C = 25^\circ\text{C}$ unless otherwise specified.)

Symbol	Parameter	Min.	Max.	Units	Test Conditions
V_{CC}	Supply Voltage	-0.3	50	V	Pin 5 to Pin 3 (1), for 10 seconds
	Permanent Reverse	-16	—		
V_{offset}	Logic to Power Ground Offset	$V_{CC} - 50$	$V_{CC} + 0.3$		
V_{in}	Input Voltage	-0.3	7		
I_{in}	Input Current	—	10	mA	
V_{out}	Output Voltage	$V_{CC} - 50$	$V_{CC} + 0.3$	V	
I_{out}	Output Current	—	self-limited	A	
V_{dg}	Diagnostic Output Voltage	-0.3	7	V	
I_{dg}	Diagnostic Output Current	—	10	mA	
E_{av}	Repetitive Avalanche Energy	—	100	mJ	$I = 2A(2)$
ESD1	Electrostatic Discharge (Human Body Model)	—	4000	V	$C = 100\text{ pF}$, $R = 1500\Omega$
ESD2	Electrostatic Discharge (Machine Model)	—	500	V	$C = 200\text{ pF}$, $R = 0\Omega$
PD	Power Dissipation	—	2	W	$T_{ambient} = 25^\circ\text{C}$
T_{Jop}	Operating Junction Temperature Range	-40	150	$^\circ\text{C}$	
T_{Stg}	Storage Temperature Range	-40	150		

NOTES:(1) with 15k Ω resistors in input and diagnostic (2) maximum frequency depends on heatsink (rectangular waveform)

Static Electrical Characteristics

($T_C = 25^\circ\text{C}$ and $V_{CC} = 16\text{V}$ unless otherwise specified.)

Symbol	Parameter	Min.	Typ.	Max.	Units	Test Conditions
V_{CCop}	Operating Voltage Range	5	—	50	V	
I_{CCoff}	Sleep Mode Supply Current	—	30	—	μA	$V_{CC} = 24\text{V}$, $V_{in} = 0\text{V}$
I_{CCcon}	Supply Current (Average)	—	1	—	mA	$V_{in} = 5\text{V}$
I_{CCac}	Supply Current (AC RMS)	—	20	—	μA	$V_{in} = 5\text{V}$
V_{ih}	High Level Input Threshold Voltage	—	2	2.5	V	
V_{il}	Low Level Input Threshold Voltage	1	1.8	—		
I_{ion}	On-State Input Current	10	—	140	μA	$V_{in} = 5.5\text{V}$
I_{ioff}	Off-State Input Current	1	—	30		$V_{in} = 0.4\text{V}$
I_{oh}	Output Leakage Current	—	20	—		$V_{out} = 6\text{V}$
I_{ol}	Output Leakage Current	0	—	10		$V_{out} = 0\text{V}$
V_{dgl}	Low Level Diagnostic Output Voltage	—	0.3	—	V	$I_{dg} = 1.6\text{mA}$
I_{dgh}	Diagnostic Output Leakage Current	0	—	10	μA	$V_{dg} = 5\text{V}$
$R_{DS(on)}$	On-State Resistance	—	120	150	m Ω	$I_{out} = 1\text{A}$

Switching Electrical Characteristics

($V_{CC} = 14\text{V}$, Resistive Load (R_L) = 12 Ω , $T_C = 25^\circ\text{C}$.)

Symbol	Parameter	Min.	Typ.I	Max.	Units	Test Conditions
t_c	Over-Current Cycle Time	—	3	—	mS	
Dc	Over-Current Duty Cycle	—	10	—	%	
t_{on}	Turn-On Delay Time to 90%	—	50	—	μs	
t_{off}	Turn-Off Delay Time to 10%	—	60	—		
dv/dt_{on}	Slew Rate On	—	3	—	V/ μs	
dv/dt_{off}	Slew Rate Off	—	5	—		

Protection Characteristics

Symbol	Parameter	Min.	Typ.	Max.	Units	Test Conditions
I _{lim}	Internal Current Limit	—	5	—	A	
V _{sc}	Short Circuit Detection Voltage	—	3.0	—	V	
V _{slh}	Open Load Detection Voltage	—	3.0	—		
V _{cl1}	Output Negative Clamp	40	54	—		I _{out} = 10mA
V _{cl2}	Output Negative Clamp	—	56	62		I _{out} = 2A

Thermal Characteristics

Symbol	Parameter	Min.	Typ.	Max.	Units	Test Conditions
T _{jsd}	Thermal Shutdown Temperature	—	170	—	°C	
T _{hys}	Thermal Hysteresis	—	10	—		
R _{thjc}	Thermal Resistance, Junction to PCB	—	60	—	°C/W	
R _{thjA}	Thermal Resistance, Junction to Ambient	—	80	—		

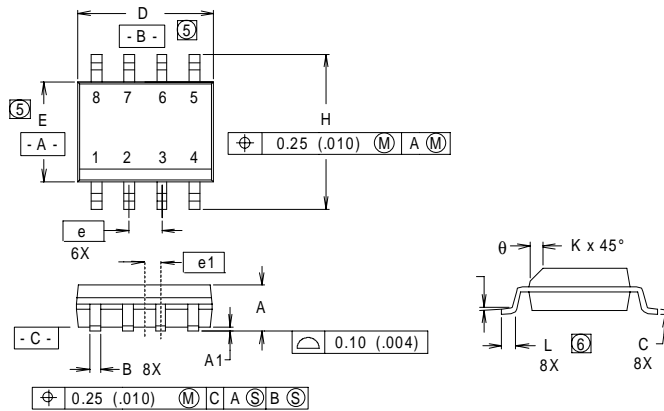
Pin Assignment

Pin # 1	Pin # 2	Pin #3	Pin #4	Pin #5	Pin #6	Pin #7	Pin #8
IN	DG	GND	OUT (source)	Vcc	Vcc	Vcc	Vcc

IR6311G

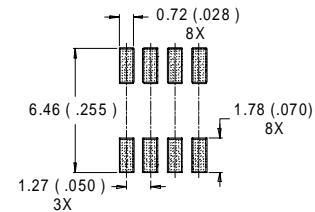
International
IR Rectifier

Case Outline — SO8 (8 pin)



DIM	INCHES		MILLIMETERS	
	MIN	MAX	MIN	MAX
A	.0532	.0688	1.35	1.75
A1	.0040	.0098	0.10	0.25
B	.014	.018	0.36	0.46
C	.0075	.0098	0.19	0.25
D	.189	.196	4.80	4.98
E	.150	.157	3.81	3.99
e	.050 BASIC		1.27 BASIC	
e1	.025 BASIC		0.635 BASIC	
H	.2284	.2440	5.80	6.20
K	.011	.019	0.28	0.48
L	0.16	.050	0.41	1.27
θ	0°	8°	0°	8°

RECOMMENDED FOOTPRINT



NOTES:

1. DIMENSIONING AND TOLERANCING PER ANSI Y14.5M-1982.
2. CONTROLLING DIMENSION : INCH.
3. DIMENSIONS ARE SHOWN IN MILLIMETERS (INCHES).
4. OUTLINE CONFORMS TO JEDEC OUTLINE MS-012AA.
- ⑤ DIMENSION DOES NOT INCLUDE MOLD PROTRUSIONS
MOLD PROTRUSIONS NOT TO EXCEED 0.25 (.006).
- ⑥ DIMENSIONS IS THE LENGTH OF LEAD FOR SOLDERING TO A SUBSTRATE..

International
IR Rectifier

WORLD HEADQUARTERS: 233 Kansas St., El Segundo, California 90245, Tel: (310) 322 3331
EUROPEAN HEADQUARTERS: Hurst Green, Oxted, Surrey RH8 9BB, UK Tel: ++ 44 1883 732020

IR CANADA: 15 Lincoln Court, Brampton, Ontario L6T 3Z2 , Tel: (905) 453-2200

IR GERMANY: Saalburgstrasse 157, 61350 Bad Homburg Tel: ++ 49 6172 96590

IR ITALY: Via Liguria 49, 10071 Borgaro, Torino Tel: ++ 39 11 451 0111

IR FAR EAST: K&H Bldg., 2F, 3-30-4 Nishi-Ikeburo 3-Chome, Toshima-Ki, Tokyo Japan 171 Tel: 81 3 3983 0086

IR SOUTHEAST ASIA: 315 Outram Road, #10-02 Tan Boon Liat Building, Singapore 0316 Tel: 65 221 8371

<http://www.irf.com/> Data and specifications subject to change without notice. 11/96