

# DATA SHEET

**P89C51RA2xx/RB2xx/RC2xx/RD2xx**  
80C51 8-bit Flash microcontroller family  
8KB/16KB/32KB/64KB ISP/IAP Flash with  
512B/512B/512B/1KB RAM

Preliminary data

Supersedes data of 2002 May 20

2002 Jul 18

## 80C51 8-bit Flash microcontroller family

### 8KB/16KB/32KB/64KB ISP/IAP Flash with 512B/512B/512B/1KB RAM

## P89C51RA2/RB2/RC2/RD2xx

### DESCRIPTION

The P89C51RA2/RB2/RC2/RD2xx contains a non-volatile 8KB/16KB/32KB/64KB Flash program memory that is both parallel programmable and serial In-System and In-Application Programmable. In-System Programming (ISP) allows the user to download new code while the microcontroller sits in the application. In-Application Programming (IAP) means that the microcontroller fetches new program code and reprograms itself while in the system. This allows for remote programming over a modem link. A default serial loader (boot loader) program in ROM allows serial In-System programming of the Flash memory via the UART without the need for a loader in the Flash code. For In-Application Programming, the user program erases and reprograms the Flash memory by use of standard routines contained in ROM.

The device supports 6-clock/12-clock mode selection by programming a Flash bit using parallel programming or In-System Programming. In addition, an SFR bit (X2) in the clock control register (CKCON) also selects between 6-clock/12-clock mode.

Additionally, when in 6-clock mode, peripherals may use either 6 clocks per machine cycle or 12 clocks per machine cycle. This choice is available individually for each peripheral and is selected by bits in the CKCON register.

This device is a Single-Chip 8-Bit Microcontroller manufactured in an advanced CMOS process and is a derivative of the 80C51 microcontroller family. The instruction set is 100% compatible with the 80C51 instruction set.

The device also has four 8-bit I/O ports, three 16-bit timer/event counters, a multi-source, four-priority-level, nested interrupt structure, an enhanced UART and on-chip oscillator and timing circuits.

The added features of the P89C51RA2/RB2/RC2/RD2xx make it a powerful microcontroller for applications that require pulse width modulation, high-speed I/O and up/down counting capabilities such as motor control.

### FEATURES

- 80C51 Central Processing Unit
- On-chip Flash Program Memory with In-System Programming (ISP) and In-Application Programming (IAP) capability
- Boot ROM contains low level Flash programming routines for downloading via the UART
- Can be programmed by the end-user application (IAP)
- Parallel programming with 87C51 compatible hardware interface to programmer
- Supports 6-clock/12-clock mode via parallel programmer (default clock mode after ChipErase is 12-clock)
- 6-clock/12-clock mode Flash bit erasable and programmable via ISP
- 6-clock/12-clock mode programmable "on-the-fly" by SFR bit
- Peripherals (PCA, timers, UART) may use either 6-clock or 12-clock mode while the CPU is in 6-clock mode
- Speed up to 20 MHz with 6-clock cycles per machine cycle (40 MHz equivalent performance); up to 33 MHz with 12 clocks per machine cycle
- Fully static operation
- RAM expandable externally to 64 kbytes
- Four interrupt priority levels
- Seven interrupt sources
- Four 8-bit I/O ports
- Full-duplex enhanced UART
  - Framing error detection
  - Automatic address recognition
- Power control modes
  - Clock can be stopped and resumed
  - Idle mode
  - Power down mode
- Programmable clock-out pin
- Second DPTR register
- Asynchronous port reset
- Low EMI (inhibit ALE)
- Programmable Counter Array (PCA)
  - PWM
  - Capture/compare

## 80C51 8-bit Flash microcontroller family

## P89C51RA2/RB2/RC2/RD2xx

8KB/16KB/32KB/64KB ISP/IAP Flash with 512B/512B/512B/1KB RAM

## SELECTION TABLE

| Type        | Memory |     |     |       | Timers      |     |     |    | Serial Interfaces |                  |     |     | ADC bits/ch. | I/O Pins | Interrupts (Ext.)/Levels | Program Security | Default Clock Rate <sup>1</sup> | Optional Clock Rate <sup>1</sup> | Reset active low/high? | Max. Freq. at 6-clk / 12-clk (MHz) | Freq. Range at 3V (MHz) | Freq. Range at 5V (MHz) |
|-------------|--------|-----|-----|-------|-------------|-----|-----|----|-------------------|------------------|-----|-----|--------------|----------|--------------------------|------------------|---------------------------------|----------------------------------|------------------------|------------------------------------|-------------------------|-------------------------|
|             | RAM    | ROM | OTP | Flash | # of Timers | PWM | PCA | WD | UART              | I <sup>2</sup> C | CAN | SPI |              |          |                          |                  |                                 |                                  |                        |                                    |                         |                         |
| P89C51RD2xx | 1K     | –   | –   | 64K   | 4           | √   | √   | √  | √                 | –                | –   | –   | –            | 32       | 7(2)/4                   | √                | 12-clk                          | 6-clk                            | H                      | 20/33                              | –                       | 0-20/33                 |
| P89C51RC2xx | 512B   | –   | –   | 32K   | 4           | √   | √   | √  | √                 | –                | –   | –   | –            | 32       | 7(2)/4                   | √                | 12-clk                          | 6-clk                            | H                      | 20/33                              | –                       | 0-20/33                 |
| P89C51RB2xx | 512B   | –   | –   | 16K   | 4           | √   | √   | √  | √                 | –                | –   | –   | –            | 32       | 7(2)/4                   | √                | 12-clk                          | 6-clk                            | H                      | 20/33                              | –                       | 0-20/33                 |
| P89C51RA2xx | 512B   | –   | –   | 8K    | 4           | √   | √   | √  | √                 | –                | –   | –   | –            | 32       | 7(2)/4                   | √                | 12-clk                          | 6-clk                            | H                      | 20/33                              | –                       | 0-20/33                 |

## NOTE:

1. P89C51Rx2Hxx devices have a 6-clk default clock rate (12-clk optional). Please also see Device Comparison Table.

## DEVICE COMPARISON TABLE

| Item                   | 1st generation of Rx2 devices  | 2nd generation of Rx2 devices (this data sheet)  | Difference   |
|------------------------|--|--|--|
| Type description       | P89C51Rx2Hxx(x)  | P89C51Rx2xx(x)   | No more letter 'H'   |
| Programming algorithm  | When using a parallel programmer, be sure to select P89C51Rx2Hxx(x) devices  | When using a parallel programmer, be sure to select P89C51Rx2xx(x) devices (no more letter 'H')  | Different programming algorithm due to process change                          |
| Clock mode (I)         | <b>6-clk default</b> , OTP configuration bit to program to <b>12-clk</b> mode using parallel programmer ( <b>cannot</b> be programmed back to 6-clk) | <b>12-clk default</b> , Flash configuration bit to program to <b>6-clk</b> mode using parallel programmer or ISP ( <b>can</b> be reprogrammed) | More flexibility for the end user, more compatibility to older P89C51Rx+ parts |
| Clock mode (II)        | N/A  | 6-clock/12-clock mode programmable "on the fly" by SFR bit X2 (CKCON.0)  | Clock mode can be changed by software  |
| Peripheral clock modes | N/A  | Peripherals can be run in 12-clk mode while CPU runs in 6-clk mode   | More flexibility, lower power consumption                                      |
| Flash block structure  | Two 8-Kbyte blocks<br>1–3 16-Kbyte blocks  | 2–16 4-Kbyte blocks  | More flexibility   |

## ORDERING INFORMATION

|     | PART ORDER NUMBER <sup>1</sup> | MEMORY |        | TEMPERATURE RANGE (°C) AND PACKAGE | VOLTAGE RANGE | FREQUENCY (MHz) |               | DWG #    |
|-----|--------------------------------|--------|--------|------------------------------------|---------------|-----------------|---------------|----------|
|     |                                | FLASH  | RAM    |                                    |               | 6-CLOCK MODE    | 12-CLOCK MODE |          |
| 1.  | P89C51RA2BA/01                 | 8 KB   | 512 B  | 0 to +70, PLCC                     | 4.5–5.5 V     | 0 to 20 MHz     | 0 to 33 MHz   | SOT187-2 |
| 2.  | P89C51RA2BBD/01                | 8 KB   | 512 B  | 0 to +70, LQFP                     | 4.5–5.5 V     | 0 to 20 MHz     | 0 to 33 MHz   | SOT389-1 |
| 3.  | P89C51RB2BA/01                 | 16 KB  | 512 B  | 0 to +70, PLCC                     | 4.5–5.5 V     | 0 to 20 MHz     | 0 to 33 MHz   | SOT187-2 |
| 4.  | P89C51RB2BBD/01                | 16 KB  | 512 B  | 0 to +70, LQFP                     | 4.5–5.5 V     | 0 to 20 MHz     | 0 to 33 MHz   | SOT389-1 |
| 5.  | P89C51RC2BN/01                 | 32 KB  | 512 B  | 0 to +70, PDIP                     | 4.5–5.5 V     | 0 to 20 MHz     | 0 to 33 MHz   | SOT129-1 |
| 6.  | P89C51RC2BA/01                 | 32 KB  | 512 B  | 0 to +70, PLCC                     | 4.5–5.5 V     | 0 to 20 MHz     | 0 to 33 MHz   | SOT187-2 |
| 7.  | P89C51RC2FA/01                 | 32 KB  | 512 B  | –40 to +85, PLCC                   | 4.5–5.5 V     | 0 to 20 MHz     | 0 to 33 MHz   | SOT187-2 |
| 8.  | P89C51RC2BBD/01                | 32 KB  | 512 B  | 0 to +70, LQFP                     | 4.5–5.5 V     | 0 to 20 MHz     | 0 to 33 MHz   | SOT389-1 |
| 9.  | P89C51RC2FBD/01                | 32 KB  | 512 B  | –40 to +85, LQFP                   | 4.5–5.5 V     | 0 to 20 MHz     | 0 to 33 MHz   | SOT389-1 |
| 10. | P89C51RD2BN/01                 | 64 KB  | 1024 B | 0 to +70, PDIP                     | 4.5–5.5 V     | 0 to 20 MHz     | 0 to 33 MHz   | SOT129-1 |
| 11. | P89C51RD2BA/01                 | 64 KB  | 1024 B | 0 to +70, PLCC                     | 4.5–5.5 V     | 0 to 20 MHz     | 0 to 33 MHz   | SOT187-2 |
| 12. | P89C51RD2BBD/01                | 64 KB  | 1024 B | 0 to +70, LQFP                     | 4.5–5.5 V     | 0 to 20 MHz     | 0 to 33 MHz   | SOT389-1 |
| 13. | P89C51RD2FA/01                 | 64 KB  | 1024 B | –40 to +85, PLCC                   | 4.5–5.5 V     | 0 to 20 MHz     | 0 to 33 MHz   | SOT187-2 |

## NOTE:

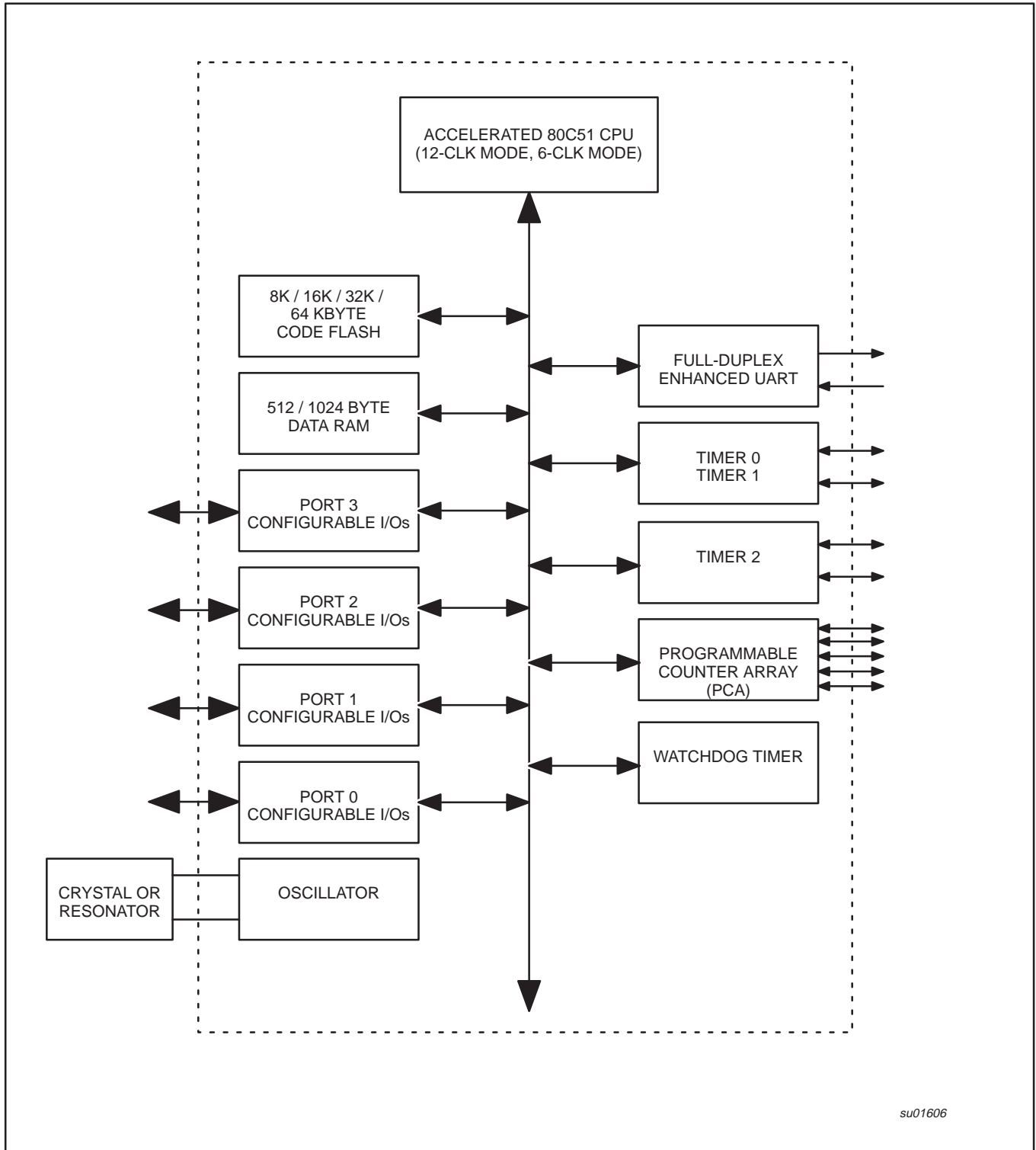
1. The Part Marking will not include the "/01".

# 80C51 8-bit Flash microcontroller family

# P89C51RA2/RB2/RC2/RD2xx

8KB/16KB/32KB/64KB ISP/IAP Flash with 512B/512B/512B/1KB RAM

**BLOCK DIAGRAM 1**



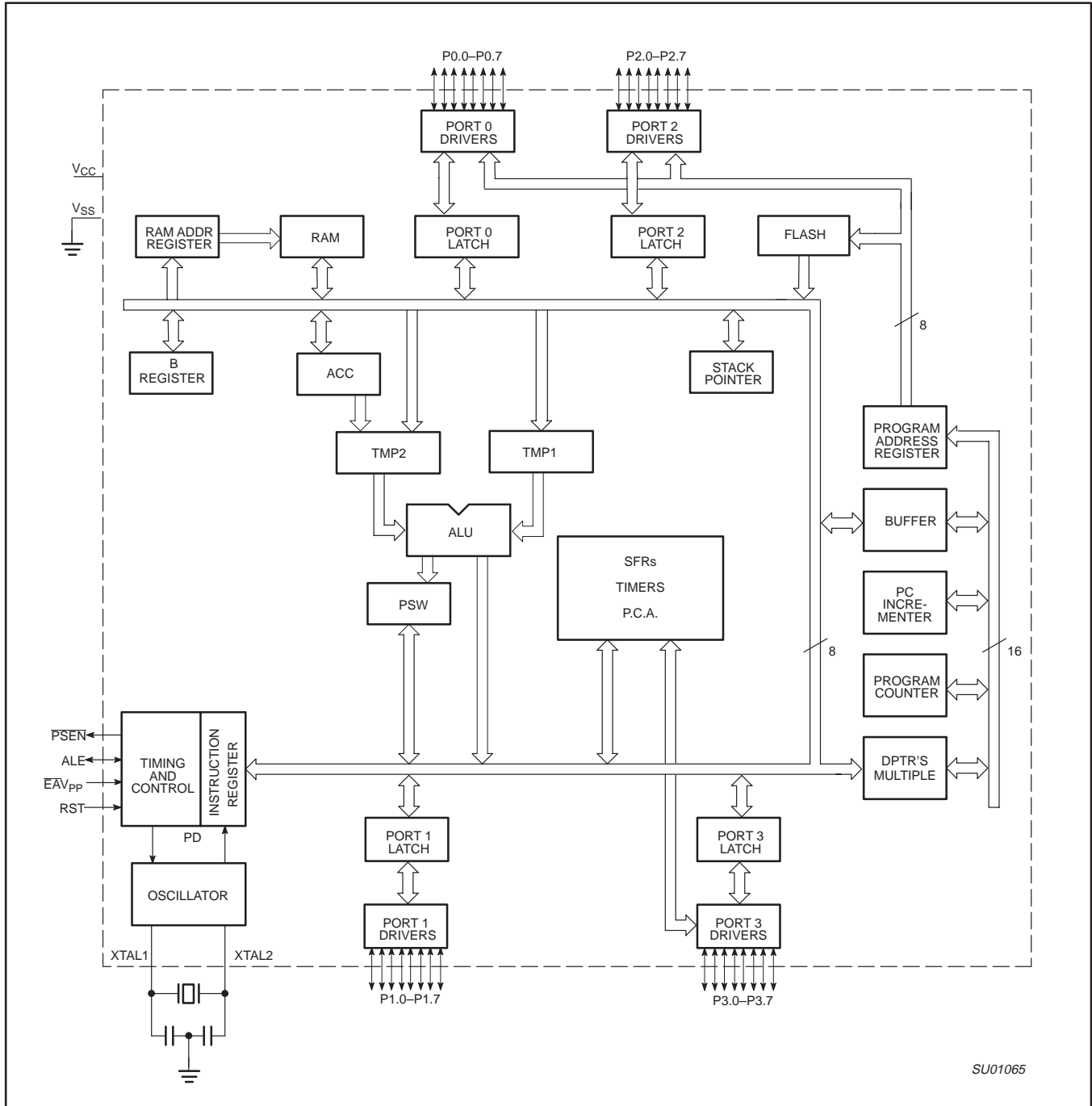
su01606

# 80C51 8-bit Flash microcontroller family

# P89C51RA2/RB2/RC2/RD2xx

8KB/16KB/32KB/64KB ISP/IAP Flash with 512B/512B/512B/1KB RAM

## BLOCK DIAGRAM – CPU ORIENTED



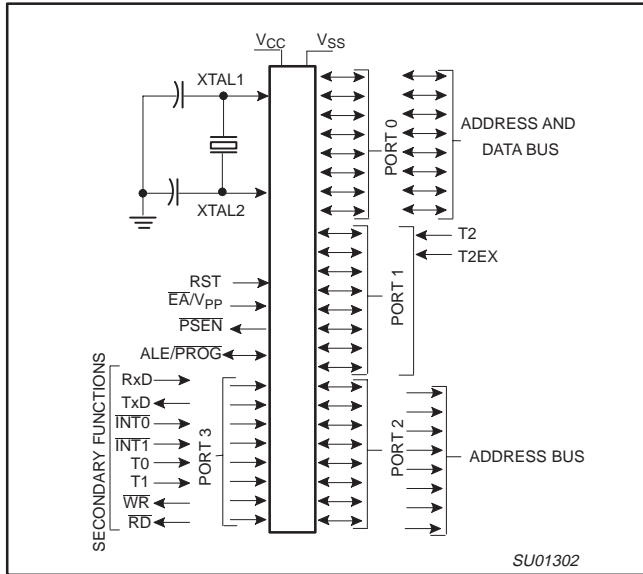
SU01065

# 80C51 8-bit Flash microcontroller family

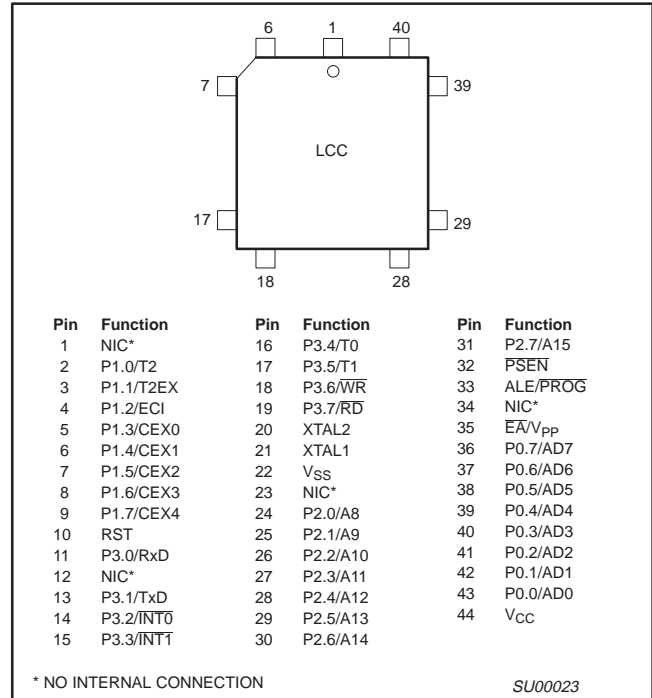
# P89C51RA2/RB2/RC2/RD2xx

8KB/16KB/32KB/64KB ISP/IAP Flash with 512B/512B/512B/1KB RAM

## LOGIC SYMBOL

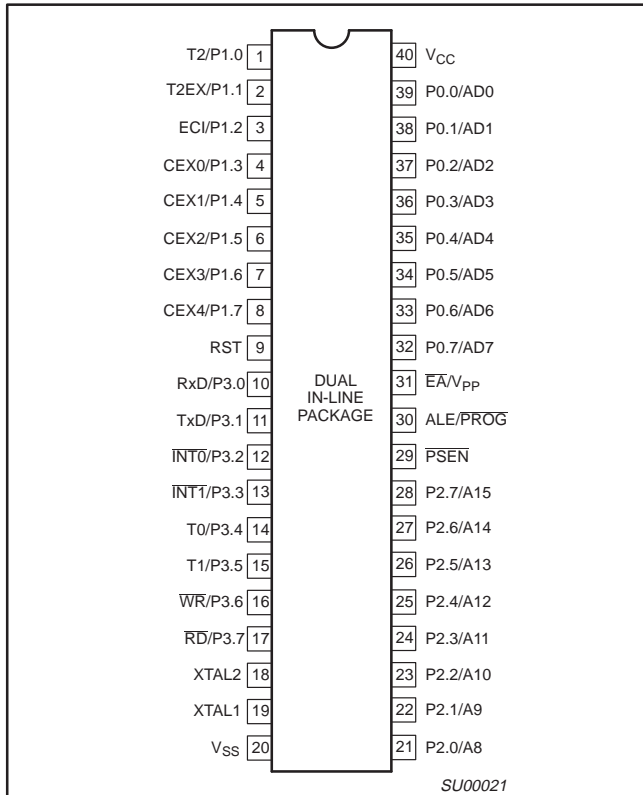


## Plastic Leaded Chip Carrier

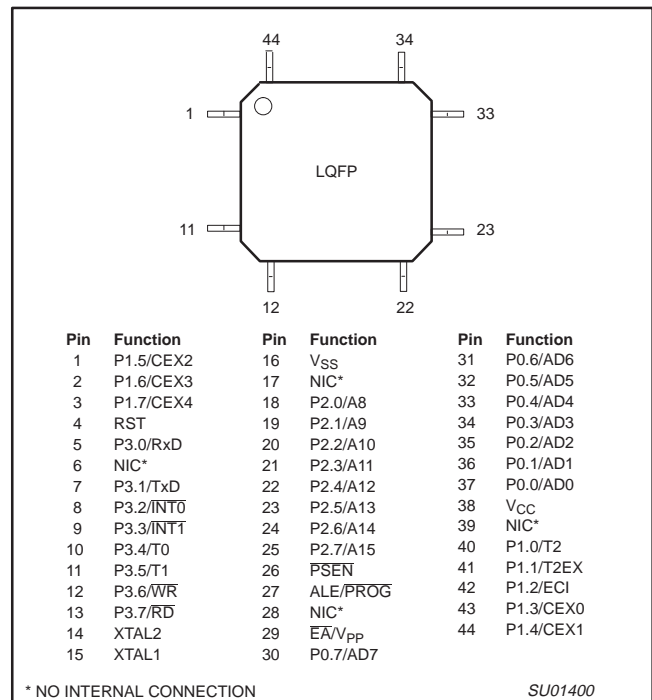


## PINNING

### Plastic Dual In-Line Package



### Plastic Quad Flat Pack



## 80C51 8-bit Flash microcontroller family

## P89C51RA2/RB2/RC2/RD2xx

8KB/16KB/32KB/64KB ISP/IAP Flash with 512B/512B/512B/1KB RAM

## PIN DESCRIPTIONS

| MNEMONIC        | PIN NUMBER |              |               | TYPE | NAME AND FUNCTION  |
|-----------------|------------|--------------|---------------|------|--|
|                 | PDIP       | PLCC         | LQFP          |      |  |
| V <sub>SS</sub> | 20         | 22           | 16            | I    | <b>Ground:</b> 0 V reference.  |
| V <sub>CC</sub> | 40         | 44           | 38            | I    | <b>Power Supply:</b> This is the power supply voltage for normal, idle, and power-down operation.  |
| P0.0–0.7        | 39–32      | 43–36        | 37–30         | I/O  | <b>Port 0:</b> Port 0 is an open-drain, bidirectional I/O port. Port 0 pins that have 1s written to them float and can be used as high-impedance inputs. Port 0 is also the multiplexed low-order address and data bus during accesses to external program and data memory. In this application, it uses strong internal pull-ups when emitting 1s.  |
| P1.0–P1.7       | 1–8        | 2–9          | 40–44,<br>1–3 | I/O  | <b>Port 1:</b> Port 1 is an 8-bit bidirectional I/O port with internal pull-ups on all pins. Port 1 pins that have 1s written to them are pulled high by the internal pull-ups and can be used as inputs. As inputs, port 1 pins that are externally pulled low will source current because of the internal pull-ups. (See DC Electrical Characteristics: I <sub>IL</sub> ).   |
|                 | 1          | 2            | 40            | I/O  | Alternate functions for P89C51RA2/RB2/RC2/RD2xx Port 1 include:<br><b>T2 (P1.0):</b> Timer/Counter 2 external count input/Clockout (see Programmable Clock-Out)  |
|                 | 2          | 3            | 41            | I    | <b>T2EX (P1.1):</b> Timer/Counter 2 Reload/Capture/Direction Control   |
|                 | 3          | 4            | 42            | I    | <b>ECI (P1.2):</b> External Clock Input to the PCA   |
|                 | 4          | 5            | 43            | I/O  | <b>CEX0 (P1.3):</b> Capture/Compare External I/O for PCA module 0  |
|                 | 5          | 6            | 44            | I/O  | <b>CEX1 (P1.4):</b> Capture/Compare External I/O for PCA module 1  |
|                 | 6          | 7            | 1             | I/O  | <b>CEX2 (P1.5):</b> Capture/Compare External I/O for PCA module 2  |
|                 | 7          | 8            | 2             | I/O  | <b>CEX3 (P1.6):</b> Capture/Compare External I/O for PCA module 3  |
|                 | 8          | 9            | 3             | I/O  | <b>CEX4 (P1.7):</b> Capture/Compare External I/O for PCA module 4  |
| P2.0–P2.7       | 21–28      | 24–31        | 18–25         | I/O  | <b>Port 2:</b> Port 2 is an 8-bit bidirectional I/O port with internal pull-ups. Port 2 pins that have 1s written to them are pulled high by the internal pull-ups and can be used as inputs. As inputs, port 2 pins that are externally being pulled low will source current because of the internal pull-ups. (See DC Electrical Characteristics: I <sub>IL</sub> ). Port 2 emits the high-order address byte during fetches from external program memory and during accesses to external data memory that use 16-bit addresses (MOVX @DPTR). In this application, it uses strong internal pull-ups when emitting 1s. During accesses to external data memory that use 8-bit addresses (MOV @Ri), port 2 emits the contents of the P2 special function register. |
| P3.0–P3.7       | 10–17      | 11,<br>13–19 | 5, 7–13       | I/O  | <b>Port 3:</b> Port 3 is an 8-bit bidirectional I/O port with internal pull-ups. Port 3 pins that have 1s written to them are pulled high by the internal pull-ups and can be used as inputs. As inputs, port 3 pins that are externally being pulled low will source current because of the pull-ups. (See DC Electrical Characteristics: I <sub>IL</sub> ). Port 3 also serves the special features of the P89C51RA2/RB2/RC2/RD2xx, as listed below:   |
|                 | 10         | 11           | 5             | I    | <b>RxD (P3.0):</b> Serial input port   |
|                 | 11         | 13           | 7             | O    | <b>TxD (P3.1):</b> Serial output port  |
|                 | 12         | 14           | 8             | I    | <b>INT0 (P3.2):</b> External interrupt   |
|                 | 13         | 15           | 9             | I    | <b>INT1 (P3.3):</b> External interrupt   |
|                 | 14         | 16           | 10            | I    | <b>T0 (P3.4):</b> Timer 0 external input   |
|                 | 15         | 17           | 11            | I    | <b>T1 (P3.5):</b> Timer 1 external input   |
|                 | 16         | 18           | 12            | O    | <b>WR (P3.6):</b> External data memory write strobe  |
|                 | 17         | 19           | 13            | O    | <b>RD (P3.7):</b> External data memory read strobe   |
| RST             | 9          | 10           | 4             | I    | <b>Reset:</b> A high on this pin for two machine cycles while the oscillator is running, resets the device. An internal resistor to V <sub>SS</sub> permits a power-on reset using only an external capacitor to V <sub>CC</sub> .   |
| ALE             | 30         | 33           | 27            | O    | <b>Address Latch Enable:</b> Output pulse for latching the low byte of the address during an access to external memory. In normal operation, ALE is emitted twice every machine cycle, and can be used for external timing or clocking. Note that one ALE pulse is skipped during each access to external data memory. ALE can be disabled by setting SFR auxiliary.0. With this bit set, ALE will be active only during a MOVX instruction.   |

## 80C51 8-bit Flash microcontroller family

## P89C51RA2/RB2/RC2/RD2xx

8KB/16KB/32KB/64KB ISP/IAP Flash with 512B/512B/512B/1KB RAM

| MNEMONIC                             | PIN NUMBER |      |      | TYPE | NAME AND FUNCTION  |
|--------------------------------------|------------|------|------|------|--|
|                                      | PDIP       | PLCC | LQFP |      |  |
| $\overline{\text{PSEN}}$             | 29         | 32   | 26   | O    | <b>Program Store Enable:</b> The read strobe to external program memory. When executing code from the external program memory, $\overline{\text{PSEN}}$ is activated twice each machine cycle, except that two $\overline{\text{PSEN}}$ activations are skipped during each access to external data memory. $\overline{\text{PSEN}}$ is not activated during fetches from internal program memory.   |
| $\overline{\text{EA}}/V_{\text{PP}}$ | 31         | 35   | 29   | I    | <b>External Access Enable/Programming Supply Voltage:</b> $\overline{\text{EA}}$ must be externally held low to enable the device to fetch code from external program memory locations. If $\overline{\text{EA}}$ is held high, the device executes from internal program memory. The value on the $\overline{\text{EA}}$ pin is latched when RST is released and any subsequent changes have no effect. This pin also receives the programming supply voltage ( $V_{\text{PP}}$ ) during Flash programming. |
| XTAL1                                | 19         | 21   | 15   | I    | <b>Crystal 1:</b> Input to the inverting oscillator amplifier and input to the internal clock generator circuits.  |
| XTAL2                                | 18         | 20   | 14   | O    | <b>Crystal 2:</b> Output from the inverting oscillator amplifier.  |

**NOTE:**To avoid "latch-up" effect at power-on, the voltage on any pin (other than  $V_{\text{PP}}$ ) must not be higher than  $V_{\text{CC}} + 0.5 \text{ V}$  or less than  $V_{\text{SS}} - 0.5 \text{ V}$ .



# 80C51 8-bit Flash microcontroller family

# P89C51RA2/RB2/RC2/RD2xx

8KB/16KB/32KB/64KB ISP/IAP Flash with 512B/512B/512B/1KB RAM

**Table 1. Special Function Registers**

| SYMBOL  | DESCRIPTION             | DIRECT ADDRESS | BIT ADDRESS, SYMBOL, OR ALTERNATIVE PORT FUNCTION |       |        |      |      |      |        |      | RESET VALUE |
|---------|-------------------------|----------------|---|-------|--------|------|------|------|--------|------|-------------|
|         |                         |                | MSB   |       |        |      | LSB  |      |        |      |             |
| ACC*    | Accumulator             | E0H            | E7  | E6    | E5     | E4   | E3   | E2   | E1     | E0   | 00H         |
| AUXR#   | Auxiliary               | 8EH            | –   | –     | –      | –    | –    | –    | EXTRAM | AO   | xxxxxx00B   |
| AUXR1#  | Auxiliary 1             | A2H            | –   | –     | ENBOOT | –    | GF2  | 0    | –      | DPS  | xxxxxx0B    |
| B*      | B register              | F0H            | F7  | F6    | F5     | F4   | F3   | F2   | F1     | F0   | 00H         |
| CCAP0H# | Module 0 Capture High   | FAH            |   |       |        |      |      |      |        |      | xxxxxxxxB   |
| CCAP1H# | Module 1 Capture High   | FBH            |   |       |        |      |      |      |        |      | xxxxxxxxB   |
| CCAP2H# | Module 2 Capture High   | FCH            |   |       |        |      |      |      |        |      | xxxxxxxxB   |
| CCAP3H# | Module 3 Capture High   | FDH            |   |       |        |      |      |      |        |      | xxxxxxxxB   |
| CCAP4H# | Module 4 Capture High   | FEH            |   |       |        |      |      |      |        |      | xxxxxxxxB   |
| CCAP0L# | Module 0 Capture Low    | EAH            |   |       |        |      |      |      |        |      | xxxxxxxxB   |
| CCAP1L# | Module 1 Capture Low    | EBH            |   |       |        |      |      |      |        |      | xxxxxxxxB   |
| CCAP2L# | Module 2 Capture Low    | ECH            |   |       |        |      |      |      |        |      | xxxxxxxxB   |
| CCAP3L# | Module 3 Capture Low    | EDH            |   |       |        |      |      |      |        |      | xxxxxxxxB   |
| CCAP4L# | Module 4 Capture Low    | EEH            |   |       |        |      |      |      |        |      | xxxxxxxxB   |
| CCAPM0# | Module 0 Mode           | DAH            | –   | ECOM  | CAPP   | CAPN | MAT  | TOG  | PWM    | ECCF | x000000B    |
| CCAPM1# | Module 1 Mode           | DBH            | –   | ECOM  | CAPP   | CAPN | MAT  | TOG  | PWM    | ECCF | x000000B    |
| CCAPM2# | Module 2 Mode           | DCH            | –   | ECOM  | CAPP   | CAPN | MAT  | TOG  | PWM    | ECCF | x000000B    |
| CCAPM3# | Module 3 Mode           | DDH            | –   | ECOM  | CAPP   | CAPN | MAT  | TOG  | PWM    | ECCF | x000000B    |
| CCAPM4# | Module 4 Mode           | DEH            | –   | ECOM  | CAPP   | CAPN | MAT  | TOG  | PWM    | ECCF | x000000B    |
| CCON*#  | PCA Counter Control     | D8H            | DF  | DE    | DD     | DC   | DB   | DA   | D9     | D8   | 00x00000B   |
| CH#     | PCA Counter High        | F9H            | CF  | CR    | –      | CCF4 | CCF3 | CCF2 | CCF1   | CCF0 |             |
| CKCON#  | Clock control           | 8FH            | –   | WDX2  | PCAX2  | SIX2 | T2X2 | T1X2 | T0X2   | X2   | x000000B    |
| CL#     | PCA Counter Low         | E9H            |   |       |        |      |      |      |        |      | 00H         |
| CMOD#   | PCA Counter Mode        | D9H            | CIDL  | WDTE  | –      | –    | –    | CPS1 | CPS0   | ECF  | 00xx000B    |
| DPTR:   | Data Pointer (2 bytes)  |                |   |       |        |      |      |      |        |      |             |
| DPH     | Data Pointer High       | 83H            |   |       |        |      |      |      |        |      | 00H         |
| DPL     | Data Pointer Low        | 82H            |   |       |        |      |      |      |        |      | 00H         |
| IE*     | Interrupt Enable 0      | A8H            | AF  | AE    | AD     | AC   | AB   | AA   | A9     | A8   | 00H         |
|         |                         |                | EA  | EC    | ET2    | ES   | ET1  | EX1  | ET0    | EX0  |             |
|         |                         |                | BF  | BE    | BD     | BC   | BB   | BA   | B9     | B8   |             |
| IP*     | Interrupt Priority      | B8H            | –   | PPC   | PT2    | PS   | PT1  | PX1  | PT0    | PX0  | x000000B    |
| IPH#    | Interrupt Priority High | B7H            | –   | PPCH  | PT2H   | PSH  | PT1H | PX1H | PT0H   | PX0H | x000000B    |
|         |                         |                | 87  | 86    | 85     | 84   | 83   | 82   | 81     | 80   |             |
| P0*     | Port 0                  | 80H            | AD7   | AD6   | AD5    | AD4  | AD3  | AD2  | AD1    | AD0  | FFH         |
|         |                         |                | 97  | 96    | 95     | 94   | 93   | 92   | 91     | 90   |             |
| P1*     | Port 1                  | 90H            | CEX4  | CEX3  | CEX2   | CEX1 | CEX0 | ECI  | T2EX   | T2   | FFH         |
|         |                         |                | A7  | A6    | A5     | A4   | A3   | A2   | A1     | A0   |             |
| P2*     | Port 2                  | A0H            | AD15  | AD14  | AD13   | AD12 | AD11 | AD10 | AD9    | AD8  | FFH         |
|         |                         |                | B7  | B6    | B5     | B4   | B3   | B2   | B1     | B0   |             |
| P3*     | Port 3                  | B0H            | RD  | WR    | T1     | T0   | INT1 | INT0 | TxD    | RxD  | FFH         |
|         |                         |                |   |       |        |      |      |      |        |      |             |
| PCON#1  | Power Control           | 87H            | SMOD1   | SMOD0 | –      | POF  | GF1  | GF0  | PD     | IDL  | 00xx000B    |

\* SFRs are bit addressable.

# SFRs are modified from or added to the 80C51 SFRs.

– Reserved bits.

1. Reset value depends on reset source.

80C51 8-bit Flash microcontroller family

P89C51RA2/RB2/RC2/RD2xx

8KB/16KB/32KB/64KB ISP/IAP Flash with 512B/512B/512B/1KB RAM

Table 1. Special Function Registers (Continued)

| SYMBOL  | DESCRIPTION          | DIRECT ADDRESS | BIT ADDRESS, SYMBOL, OR ALTERNATIVE PORT FUNCTION |      |      |      |       |     |      |        | RESET VALUE |
|---------|----------------------|----------------|---|------|------|------|-------|-----|------|--------|-------------|
|         |                      |                | MSB   |      |      |      | LSB   |     |      |        |             |
| PSW*    | Program Status Word  | D0H            | D7  | D6   | D5   | D4   | D3    | D2  | D1   | D0     | 0000000B    |
| RCAP2H# | Timer 2 Capture High | CBH            | CY  | AC   | F0   | RS1  | RS0   | OV  | F1   | P      |             |
| RCAP2L# | Timer 2 Capture Low  | CAH            |   |      |      |      |       |     |      |        |             |
| SADDR#  | Slave Address        | A9H            |   |      |      |      |       |     |      |        | 00H         |
| SADEN#  | Slave Address Mask   | B9H            |   |      |      |      |       |     |      |        | 00H         |
| SBUF    | Serial Data Buffer   | 99H            |   |      |      |      |       |     |      |        | xxxxxxxB    |
| SCON*   | Serial Control       | 98H            | 9F  | 9E   | 9D   | 9C   | 9B    | 9A  | 99   | 98     | 00H         |
| SP      | Stack Pointer        | 81H            | SM0/FE  | SM1  | SM2  | REN  | TB8   | RB8 | TI   | RI     |             |
| TCON*   | Timer Control        | 88H            | 8F  | 8E   | 8D   | 8C   | 8B    | 8A  | 89   | 88     | 00H         |
| T2CON*  | Timer 2 Control      | C8H            | TF1   | TR1  | TF0  | TR0  | IE1   | IT1 | IE0  | IT0    | 00H         |
| T2MOD#  | Timer 2 Mode Control | C9H            | CF  | CE   | CD   | CC   | CB    | CA  | C9   | C8     |             |
| TH0     | Timer High 0         | 8CH            | TF2   | EXF2 | RCLK | TCLK | EXEN2 | TR2 | C/T2 | CP/RL2 | 00H         |
| TH1     | Timer High 1         | 8DH            | -   | -    | -    | -    | -     | -   | T2OE | DCEN   | xxxxxx00B   |
| TH2#    | Timer High 2         | CDH            |   |      |      |      |       |     |      |        | 00H         |
| TL0     | Timer Low 0          | 8AH            |   |      |      |      |       |     |      |        | 00H         |
| TL1     | Timer Low 1          | 8BH            |   |      |      |      |       |     |      |        | 00H         |
| TL2#    | Timer Low 2          | CCH            |   |      |      |      |       |     |      |        | 00H         |
| TMOD    | Timer Mode           | 89H            | GATE  | C/T  | M1   | M0   | GATE  | C/T | M1   | M0     | 00H         |
| WDTRST  | Watchdog Timer Reset | A6H            |   |      |      |      |       |     |      |        |             |

\* SFRs are bit addressable.  
 # SFRs are modified from or added to the 80C51 SFRs.  
 - Reserved bits.

OSCILLATOR CHARACTERISTICS

XTAL1 and XTAL2 are the input and output, respectively, of an inverting amplifier. The pins can be configured for use as an on-chip oscillator.

To drive the device from an external clock source, XTAL1 should be driven while XTAL2 is left unconnected. Minimum and maximum high and low times specified in the data sheet must be observed.

This device is configured at the factory to operate using 12 clock periods per machine cycle, referred to in this datasheet as "12-clock mode". It may be optionally configured on commercially available Flash programming equipment or via ISP or via software to operate at 6 clocks per machine cycle, referred to in this datasheet as "6-clock mode". (This yields performance equivalent to twice that of standard 80C51 family devices). Also see next page.

# 80C51 8-bit Flash microcontroller family

# P89C51RA2/RB2/RC2/RD2xx

8KB/16KB/32KB/64KB ISP/IAP Flash with 512B/512B/512B/1KB RAM

## CLOCK CONTROL REGISTER (CKCON)

This device provides control of the 6-clock/12-clock mode by means of both an SFR bit (X2) and a Flash bit (FX2, located in the Security Block). The Flash clock control bit, FX2, when programmed (6-clock mode) supercedes the X2 bit (CKCON.0).

The CKCON register also provides individual control of the clock rates for the peripherals devices. When running in 6-clock mode each peripheral may be individually clocked from either fosc/6 or fosc/12. When in 12-clock mode, all peripheral devices will use fosc/12. The CKCON register is shown below.

|                            |               |   |       |      |      |      |      |    |
|----------------------------|---------------|---|-------|------|------|------|------|----|
| <b>CKCON</b> Address = 8Fh |               | Reset Value = x0000000B   |       |      |      |      |      |    |
| Not Bit Addressable        |               |   |       |      |      |      |      |    |
|                            | 7             | 6   | 5     | 4    | 3    | 2    | 1    | 0  |
|                            | -             | WDX2  | PCAX2 | SIX2 | T2X2 | T1X2 | T0X2 | X2 |
| <b>BIT</b>                 | <b>SYMBOL</b> | <b>FUNCTION</b>   |       |      |      |      |      |    |
| CKCON.7                    | -             | Reserved.   |       |      |      |      |      |    |
| CKCON.6                    | WDX2          | Watchdog clock; 0 = 6 clocks for each WDT clock, 1 = 12 clocks for each WDT clock     |       |      |      |      |      |    |
| CKCON.5                    | PCAX2         | PCA clock; 0 = 6 clocks for each PCA clock, 1 = 12 clocks for each PCA clock          |       |      |      |      |      |    |
| CKCON.4                    | SIX2          | UART clock; 0 = 6 clocks for each UART clock, 1 = 12 clocks for each UART clock       |       |      |      |      |      |    |
| CKCON.3                    | T2X2          | Timer2 clock; 0 = 6 clocks for each Timer2 clock, 1 = 12 clocks for each Timer2 clock |       |      |      |      |      |    |
| CKCON.2                    | T1X2          | Timer1 clock; 0 = 6 clocks for each Timer1 clock, 1 = 12 clocks for each Timer1 clock |       |      |      |      |      |    |
| CKCON.1                    | T0X2          | Timer0 clock; 0 = 6 clocks for each Timer0 clock, 1 = 12 clocks for each Timer0 clock |       |      |      |      |      |    |
| CKCON.0                    | X2            | CPU clock; 1 = 6 clocks for each machine cycle, 0 = 12 clocks for each machine cycle  |       |      |      |      |      |    |

SU01607

Bits 1 through 6 only apply if 6 clocks per machine cycle is chosen (i.e.– Bit 0 = 1). If Bit 0 = 0 (12 clocks per machine cycle) then all peripherals will have 12 clocks per machine cycle as their clock source.

Also please note that the clock divider applies to the serial port for modes 0 & 2 (fixed baud rate modes). This is because modes 1 & 3 (variable baud rate modes) use either Timer 1 or Timer 2.

Below is the truth table for the peripheral input clock sources.

| FX2 clock mode bit | X2 | Peripheral clock mode bit (e.g., T0X2) | CPU MODE           | Peripheral Clock Rate |
|--------------------|----|--|--------------------|-----------------------|
| erased             | 0  | x                                      | 12-clock (default) | 12-clock (default)    |
| erased             | 1  | 0                                      | 6-clock            | 6-clock               |
| erased             | 1  | 1                                      | 6-clock            | 12-clock              |
| programmed         | x  | 0                                      | 6-clock            | 6-clock               |
| programmed         | x  | 1                                      | 6-clock            | 12-clock              |

## RESET

A reset is accomplished by holding the RST pin high for at least two machine cycles (12 oscillator periods in 6-clock mode, or 24 oscillator periods in 12-clock mode), while the oscillator is running. To ensure a good power-on reset, the RST pin must be high long enough to allow the oscillator time to start up (normally a few milliseconds) plus two machine cycles. At power-on, the voltage on V<sub>CC</sub> and RST must come up at the same time for a proper start-up. Ports 1, 2, and 3 will asynchronously be driven to their reset condition when a voltage above V<sub>IH1</sub> (min.) is applied to RST.

The value on the  $\overline{EA}$  pin is latched when RST is deasserted and has no further effect.

# 80C51 8-bit Flash microcontroller family

# P89C51RA2/RB2/RC2/RD2xx

8KB/16KB/32KB/64KB ISP/IAP Flash with 512B/512B/512B/1KB RAM

## LOW POWER MODES

### Stop Clock Mode

The static design enables the clock speed to be reduced down to 0 MHz (stopped). When the oscillator is stopped, the RAM and Special Function Registers retain their values. This mode allows step-by-step utilization and permits reduced system power consumption by lowering the clock frequency down to any value. For lowest power consumption the Power Down mode is suggested.

### Idle Mode

In the idle mode (see Table 2), the CPU puts itself to sleep while all of the on-chip peripherals stay active. The instruction to invoke the idle mode is the last instruction executed in the normal operating mode before the idle mode is activated. The CPU contents, the on-chip RAM, and all of the special function registers remain intact during this mode. The idle mode can be terminated either by any enabled interrupt (at which time the process is picked up at the interrupt service routine and continued), or by a hardware reset which starts the processor in the same manner as a power-on reset.

### Power-Down Mode

To save even more power, a Power Down mode (see Table 2) can be invoked by software. In this mode, the oscillator is stopped and the instruction that invoked Power Down is the last instruction executed. The on-chip RAM and Special Function Registers retain their values down to 2 V and care must be taken to return V<sub>CC</sub> to the minimum specified operating voltages before the Power Down Mode is terminated.

Either a hardware reset or external interrupt can be used to exit from Power Down. Reset redefines all the SFRs but does not change the on-chip RAM. An external interrupt allows both the SFRs and the on-chip RAM to retain their values.

To properly terminate Power Down, the reset or external interrupt should not be executed before V<sub>CC</sub> is restored to its normal operating level and must be held active long enough for the oscillator to restart and stabilize (normally less than 10 ms).

With an external interrupt, INT0 and INT1 must be enabled and configured as level-sensitive. Holding the pin low restarts the oscillator but bringing the pin back high completes the exit. Once the interrupt is serviced, the next instruction to be executed after RETI will be the one following the instruction that put the device into Power Down.

## POWER-ON FLAG

The Power-On Flag (POF) is set by on-chip circuitry when the V<sub>CC</sub> level on the P89C51RA2/RB2/RC2/RD2xx rises from 0 to 5 V. The POF bit can be set or cleared by software allowing a user to determine if the reset is the result of a power-on or a warm start after powerdown. The V<sub>CC</sub> level must remain above 3 V for the POF to remain unaffected by the V<sub>CC</sub> level.

## Design Consideration

When the idle mode is terminated by a hardware reset, the device normally resumes program execution, from where it left off, up to two machine cycles before the internal reset algorithm takes control. On-chip hardware inhibits access to internal RAM in this event, but access to the port pins is not inhibited. To eliminate the possibility of an unexpected write when Idle is terminated by reset, the instruction following the one that invokes Idle should not be one that writes to a port pin or to external memory.

### ONCE™ Mode

The ONCE (“On-Circuit Emulation”) Mode facilitates testing and debugging of systems without the device having to be removed from the circuit. The ONCE Mode is invoked by:

1. Pull ALE low while the device is in reset and PSEN is high;
2. Hold ALE low as RST is deactivated.

While the device is in ONCE Mode, the Port 0 pins go into a float state, and the other port pins and ALE and PSEN are weakly pulled high. The oscillator circuit remains active. While the device is in this mode, an emulator or test CPU can be used to drive the circuit. Normal operation is restored when a normal reset is applied.

### Programmable Clock-Out

A 50% duty cycle clock can be programmed to come out on P1.0. This pin, besides being a regular I/O pin, has two alternate functions. It can be programmed:

1. to input the external clock for Timer/Counter 2, or
2. to output a 50% duty cycle clock ranging from 61 Hz to 4 MHz at a 16 MHz operating frequency in 12-clock mode (122 Hz to 8 MHz in 6-clock mode).

To configure the Timer/Counter 2 as a clock generator, bit C/T2 (in T2CON) must be cleared and bit T20E in T2MOD must be set. Bit TR2 (T2CON.2) also must be set to start the timer.

The Clock-Out frequency depends on the oscillator frequency and the reload value of Timer 2 capture registers (RCAP2H, RCAP2L) as shown in this equation:

$$n = \frac{\text{Oscillator Frequency}}{n \times (65536 - \text{RCAP2H, RCAP2L})}$$

n = 2 in 6-clock mode  
4 in 12-clock mode

Where (RCAP2H,RCAP2L) = the content of RCAP2H and RCAP2L taken as a 16-bit unsigned integer.

In the Clock-Out mode Timer 2 roll-overs will not generate an interrupt. This is similar to when it is used as a baud-rate generator. It is possible to use Timer 2 as a baud-rate generator and a clock generator simultaneously. Note, however, that the baud-rate and the Clock-Out frequency will be the same.

**Table 2. External Pin Status During Idle and Power-Down Mode**

| MODE       | PROGRAM MEMORY | ALE | PSEN | PORT 0 | PORT 1 | PORT 2  | PORT 3 |
|------------|----------------|-----|------|--------|--------|---------|--------|
| Idle       | Internal       | 1   | 1    | Data   | Data   | Data    | Data   |
| Idle       | External       | 1   | 1    | Float  | Data   | Address | Data   |
| Power-down | Internal       | 0   | 0    | Data   | Data   | Data    | Data   |
| Power-down | External       | 0   | 0    | Float  | Data   | Data    | Data   |

# 80C51 8-bit Flash microcontroller family

# P89C51RA2/RB2/RC2/RD2xx

8KB/16KB/32KB/64KB ISP/IAP Flash with 512B/512B/512B/1KB RAM

## TIMER 0 AND TIMER 1 OPERATION

### Timer 0 and Timer 1

The "Timer" or "Counter" function is selected by control bits  $C/\bar{T}$  in the Special Function Register TMOD. These two Timer/Counters have four operating modes, which are selected by bit-pairs (M1, M0) in TMOD. Modes 0, 1, and 2 are the same for both Timers/Counters. Mode 3 is different. The four operating modes are described in the following text.

#### Mode 0

Putting either Timer into Mode 0 makes it look like an 8048 Timer, which is an 8-bit Counter with a divide-by-32 prescaler. Figure 2 shows the Mode 0 operation.

In this mode, the Timer register is configured as a 13-bit register. As the count rolls over from all 1s to all 0s, it sets the Timer interrupt flag  $TF_n$ . The counted input is enabled to the Timer when  $TR_n = 1$  and either  $GATE = 0$  or  $\overline{INTn} = 1$ . (Setting  $GATE = 1$  allows the Timer to be controlled by external input  $\overline{INTn}$ , to facilitate pulse width measurements).  $TR_n$  is a control bit in the Special Function Register TCON (Figure 3).

The 13-bit register consists of all 8 bits of  $TH_n$  and the lower 5 bits of  $TL_n$ . The upper 3 bits of  $TL_n$  are indeterminate and should be ignored. Setting the run flag ( $TR_n$ ) does not clear the registers.

Mode 0 operation is the same for Timer 0 as for Timer 1. There are two different GATE bits, one for Timer 1 (TMOD.7) and one for Timer 0 (TMOD.3).

#### Mode 1

Mode 1 is the same as Mode 0, except that the Timer register is being run with all 16 bits.

#### Mode 2

Mode 2 configures the Timer register as an 8-bit Counter ( $TL_n$ ) with automatic reload, as shown in Figure 4. Overflow from  $TL_n$  not only sets  $TF_n$ , but also reloads  $TL_n$  with the contents of  $TH_n$ , which is preset by software. The reload leaves  $TH_n$  unchanged.

Mode 2 operation is the same for Timer 0 as for Timer 1.

#### Mode 3

Timer 1 in Mode 3 simply holds its count. The effect is the same as setting  $TR_1 = 0$ .

Timer 0 in Mode 3 establishes  $TL_0$  and  $TH_0$  as two separate counters. The logic for Mode 3 on Timer 0 is shown in Figure 5.  $TL_0$  uses the Timer 0 control bits:  $C/\bar{T}$ , GATE,  $TR_0$ , and  $TF_0$  as well as pin  $\overline{INT0}$ .  $TH_0$  is locked into a timer function (counting machine cycles) and takes over the use of  $TR_1$  and  $TF_1$  from Timer 1. Thus,  $TH_0$  now controls the "Timer 1" interrupt.

Mode 3 is provided for applications requiring an extra 8-bit timer on the counter. With Timer 0 in Mode 3, an 80C51 can look like it has three Timer/Counters. When Timer 0 is in Mode 3, Timer 1 can be turned on and off by switching it out of and into its own Mode 3, or can still be used by the serial port as a baud rate generator, or in fact, in any application not requiring an interrupt.

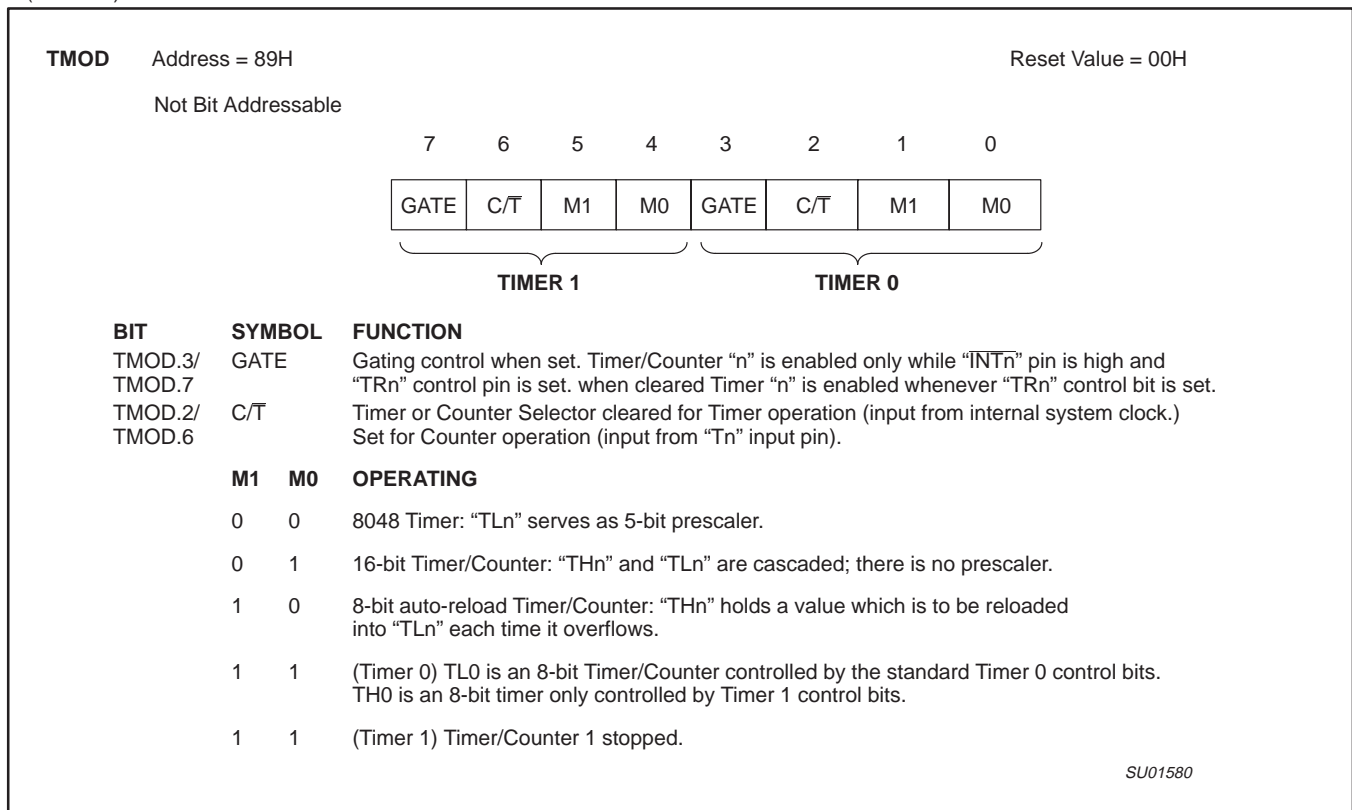


Figure 1. Timer/Counter 0/1 Mode Control (TMOD) Register

80C51 8-bit Flash microcontroller family

P89C51RA2/RB2/RC2/RD2xx

8KB/16KB/32KB/64KB ISP/IAP Flash with 512B/512B/512B/1KB RAM

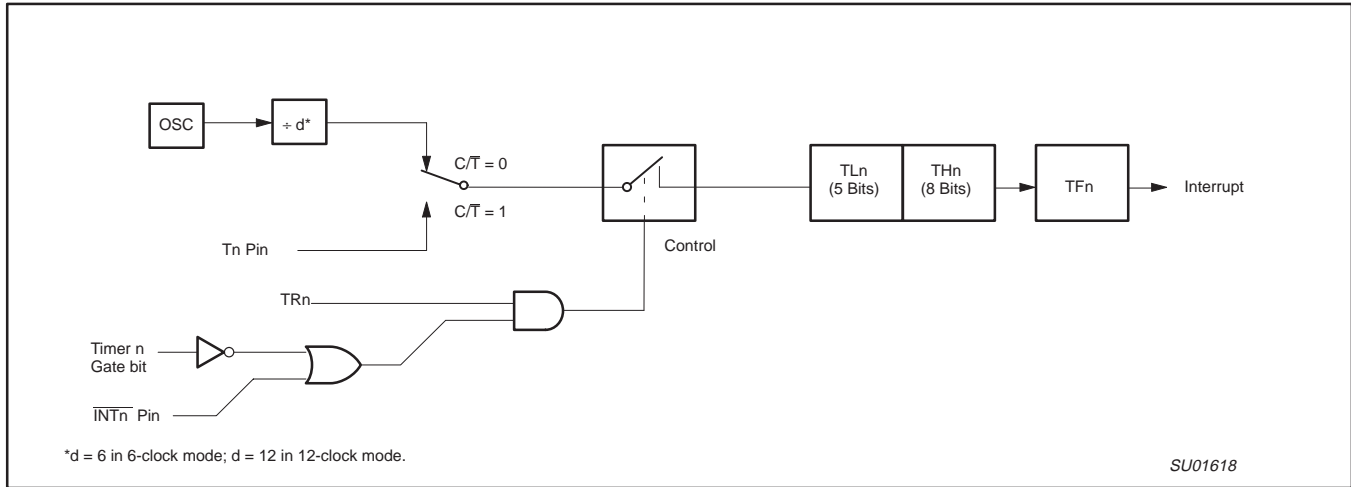


Figure 2. Timer/Counter 0/1 Mode 0: 13-Bit Timer/Counter

**TCON**    Address = 88H    Reset Value = 00H

Bit Addressable

|     |     |     |     |     |     |     |     |
|-----|-----|-----|-----|-----|-----|-----|-----|
| 7   | 6   | 5   | 4   | 3   | 2   | 1   | 0   |
| TF1 | TR1 | TF0 | TR0 | IE1 | IT1 | IE0 | IT0 |

| BIT    | SYMBOL | FUNCTION   |
|--------|--------|--|
| TCON.7 | TF1    | Timer 1 overflow flag. Set by hardware on Timer/Counter overflow. Cleared by hardware when processor vectors to interrupt routine, or clearing the bit in software.    |
| TCON.6 | TR1    | Timer 1 Run control bit. Set/cleared by software to turn Timer/Counter on/off.   |
| TCON.5 | TF0    | Timer 0 overflow flag. Set by hardware on Timer/Counter overflow. Cleared by hardware when processor vectors to interrupt routine, or by clearing the bit in software. |
| TCON.4 | TR0    | Timer 0 Run control bit. Set/cleared by software to turn Timer/Counter on/off.   |
| TCON.3 | IE1    | Interrupt 1 Edge flag. Set by hardware when external interrupt edge detected. Cleared when interrupt processed.  |
| TCON.2 | IT1    | Interrupt 1 type control bit. Set/cleared by software to specify falling edge/low level triggered external interrupts.   |
| TCON.1 | IE0    | Interrupt 0 Edge flag. Set by hardware when external interrupt edge detected. Cleared when interrupt processed.  |
| TCON.0 | IT0    | Interrupt 0 Type control bit. Set/cleared by software to specify falling edge/low level triggered external interrupts.   |

SU01516

Figure 3. Timer/Counter 0/1 Control (TCON) Register

80C51 8-bit Flash microcontroller family

P89C51RA2/RB2/RC2/RD2xx

8KB/16KB/32KB/64KB ISP/IAP Flash with 512B/512B/512B/1KB RAM

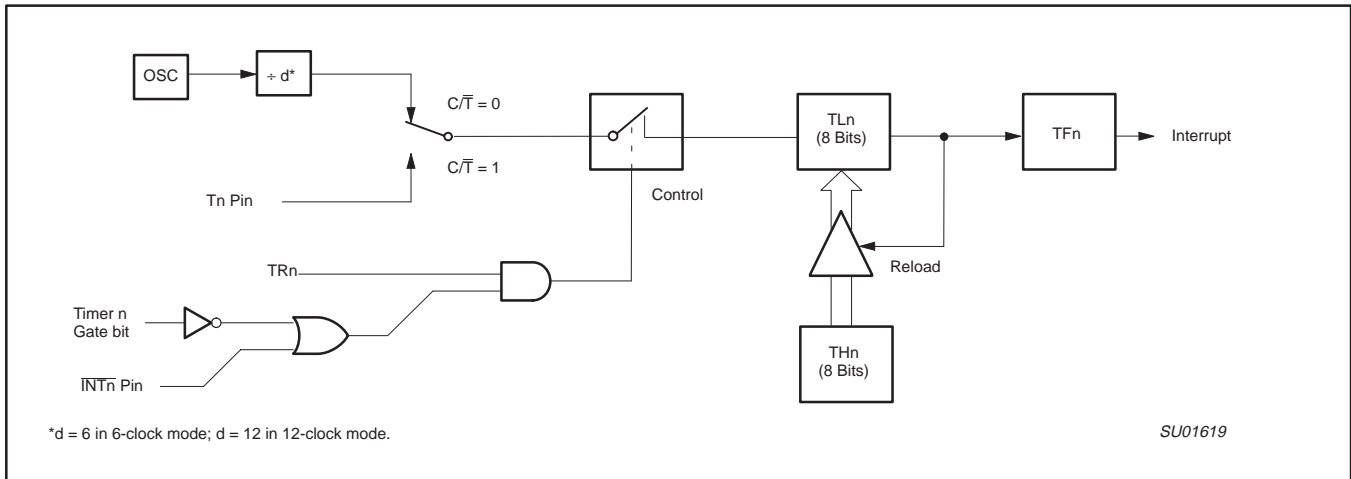


Figure 4. Timer/Counter 0/1 Mode 2: 8-Bit Auto-Reload

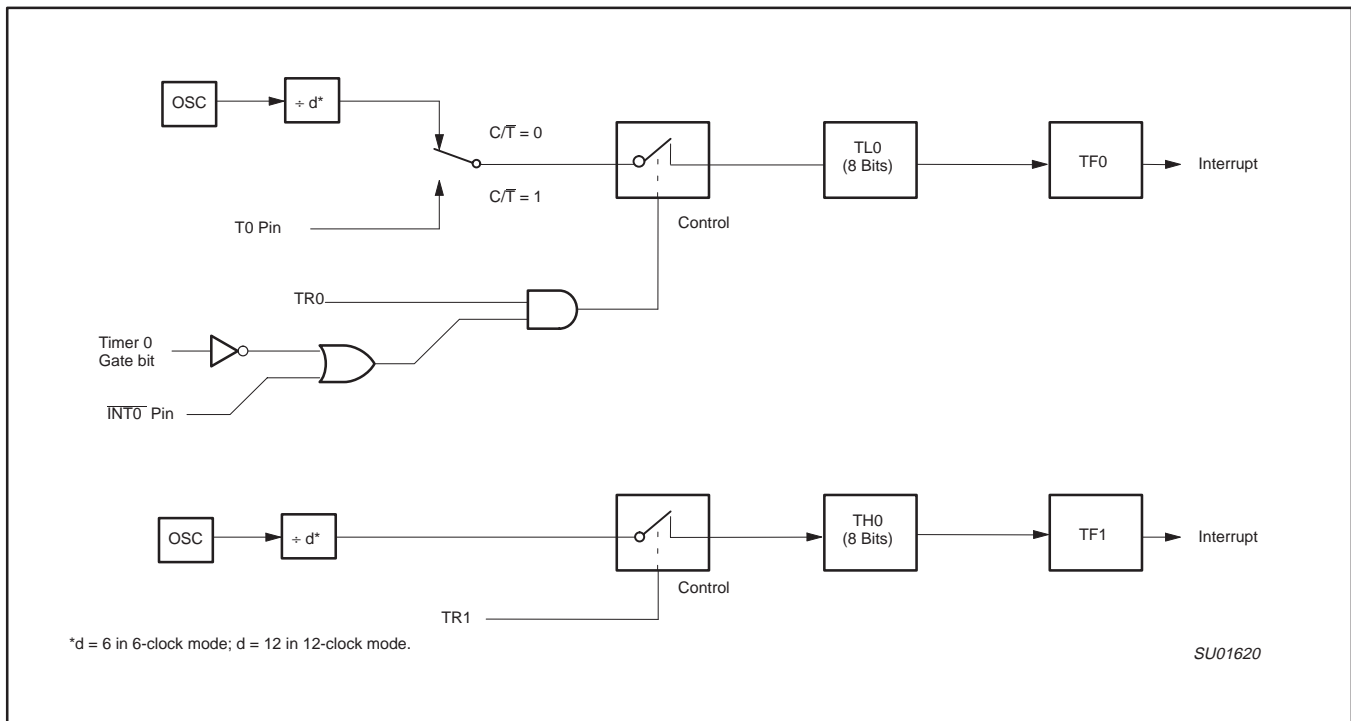


Figure 5. Timer/Counter 0 Mode 3: Two 8-Bit Counters

# 80C51 8-bit Flash microcontroller family

# P89C51RA2/RB2/RC2/RD2xx

8KB/16KB/32KB/64KB ISP/IAP Flash with 512B/512B/512B/1KB RAM

## TIMER 2 OPERATION

### Timer 2

Timer 2 is a 16-bit Timer/Counter which can operate as either an event timer or an event counter, as selected by C/T2 in the special function register T2CON (see Figure 6). Timer 2 has three operating modes: Capture, Auto-reload (up or down counting), and Baud Rate Generator, which are selected by bits in the T2CON as shown in Table 3.

### Capture Mode

In the capture mode there are two options which are selected by bit EXEN2 in T2CON. If EXEN2=0, then timer 2 is a 16-bit timer or counter (as selected by C/T2 in T2CON) which, upon overflowing sets bit TF2, the timer 2 overflow bit. This bit can be used to generate an interrupt (by enabling the Timer 2 interrupt bit in the IE register). If EXEN2= 1, Timer 2 operates as described above, but with the added feature that a 1- to -0 transition at external input T2EX causes the current value in the Timer 2 registers, TL2 and TH2, to be captured into registers RCAP2L and RCAP2H, respectively. In addition, the transition at T2EX causes bit EXF2 in T2CON to be set, and EXF2 like TF2 can generate an interrupt (which vectors to the same location as Timer 2 overflow interrupt. The Timer 2 interrupt service routine can interrogate TF2 and EXF2 to determine which event caused the interrupt). The capture mode is illustrated in Figure 7 (There is no reload value for TL2 and TH2 in this mode. Even when a capture event occurs from T2EX, the counter keeps on counting T2EX pin transitions or osc/6 pulses (osc/12 in 12-clock mode).).

### Auto-Reload Mode (Up or Down Counter)

In the 16-bit auto-reload mode, Timer 2 can be configured (as either a timer or counter [C/T2 in T2CON]) then programmed to count up or down. The counting direction is determined by bit DCEN (Down

Counter Enable) which is located in the T2MOD register (see Figure 8). When reset is applied the DCEN=0 which means Timer 2 will default to counting up. If DCEN bit is set, Timer 2 can count up or down depending on the value of the T2EX pin.

Figure 9 shows Timer 2 which will count up automatically since DCEN=0. In this mode there are two options selected by bit EXEN2 in T2CON register. If EXEN2=0, then Timer 2 counts up to 0FFFFH and sets the TF2 (Overflow Flag) bit upon overflow. This causes the Timer 2 registers to be reloaded with the 16-bit value in RCAP2L and RCAP2H. The values in RCAP2L and RCAP2H are preset by software means.

If EXEN2=1, then a 16-bit reload can be triggered either by an overflow or by a 1-to-0 transition at input T2EX. This transition also sets the EXF2 bit. The Timer 2 interrupt, if enabled, can be generated when either TF2 or EXF2 are 1.

In Figure 10 DCEN=1 which enables Timer 2 to count up or down. This mode allows pin T2EX to control the direction of count. When a logic 1 is applied at pin T2EX Timer 2 will count up. Timer 2 will overflow at 0FFFFH and set the TF2 flag, which can then generate an interrupt, if the interrupt is enabled. This timer overflow also causes the 16-bit value in RCAP2L and RCAP2H to be reloaded into the timer registers TL2 and TH2.

When a logic 0 is applied at pin T2EX this causes Timer 2 to count down. The timer will underflow when TL2 and TH2 become equal to the value stored in RCAP2L and RCAP2H. Timer 2 underflow sets the TF2 flag and causes 0FFFFH to be reloaded into the timer registers TL2 and TH2.

The external flag EXF2 toggles when Timer 2 underflows or overflows. This EXF2 bit can be used as a 17th bit of resolution if needed. The EXF2 flag does not generate an interrupt in this mode of operation.

|        |          | (MSB)  |      |      |      |       | (LSB) |      |        |
|--------|----------|--|------|------|------|-------|-------|------|--------|
|        |          | TF2  | EXF2 | RCLK | TCLK | EXEN2 | TR2   | C/T2 | CP/RL2 |
| Symbol | Position | Name and Significance  |      |      |      |       |       |      |        |
| TF2    | T2CON.7  | Timer 2 overflow flag set by a Timer 2 overflow and must be cleared by software. TF2 will not be set when either RCLK or TCLK = 1.   |      |      |      |       |       |      |        |
| EXF2   | T2CON.6  | Timer 2 external flag set when either a capture or reload is caused by a negative transition on T2EX and EXEN2 = 1. When Timer 2 interrupt is enabled, EXF2 = 1 will cause the CPU to vector to the Timer 2 interrupt routine. EXF2 must be cleared by software. EXF2 does not cause an interrupt in up/down counter mode (DCEN = 1).  |      |      |      |       |       |      |        |
| RCLK   | T2CON.5  | Receive clock flag. When set, causes the serial port to use Timer 2 overflow pulses for its receive clock in modes 1 and 3. RCLK = 0 causes Timer 1 overflow to be used for the receive clock.   |      |      |      |       |       |      |        |
| TCLK   | T2CON.4  | Transmit clock flag. When set, causes the serial port to use Timer 2 overflow pulses for its transmit clock in modes 1 and 3. TCLK = 0 causes Timer 1 overflows to be used for the transmit clock.   |      |      |      |       |       |      |        |
| EXEN2  | T2CON.3  | Timer 2 external enable flag. When set, allows a capture or reload to occur as a result of a negative transition on T2EX if Timer 2 is not being used to clock the serial port. EXEN2 = 0 causes Timer 2 to ignore events at T2EX.   |      |      |      |       |       |      |        |
| TR2    | T2CON.2  | Start/stop control for Timer 2. A logic 1 starts the timer.  |      |      |      |       |       |      |        |
| C/T2   | T2CON.1  | Timer or counter select. (Timer 2)<br>0 = Internal timer (OSC/6 in 6-clock mode or OSC/12 in 12-clock mode)<br>1 = External event counter (falling edge triggered).  |      |      |      |       |       |      |        |
| CP/RL2 | T2CON.0  | Capture/Reload flag. When set, captures will occur on negative transitions at T2EX if EXEN2 = 1. When cleared, auto-reloads will occur either with Timer 2 overflows or negative transitions at T2EX when EXEN2 = 1. When either RCLK = 1 or TCLK = 1, this bit is ignored and the timer is forced to auto-reload on Timer 2 overflow. |      |      |      |       |       |      |        |

SU01251

Figure 6. Timer/Counter 2 (T2CON) Control Register



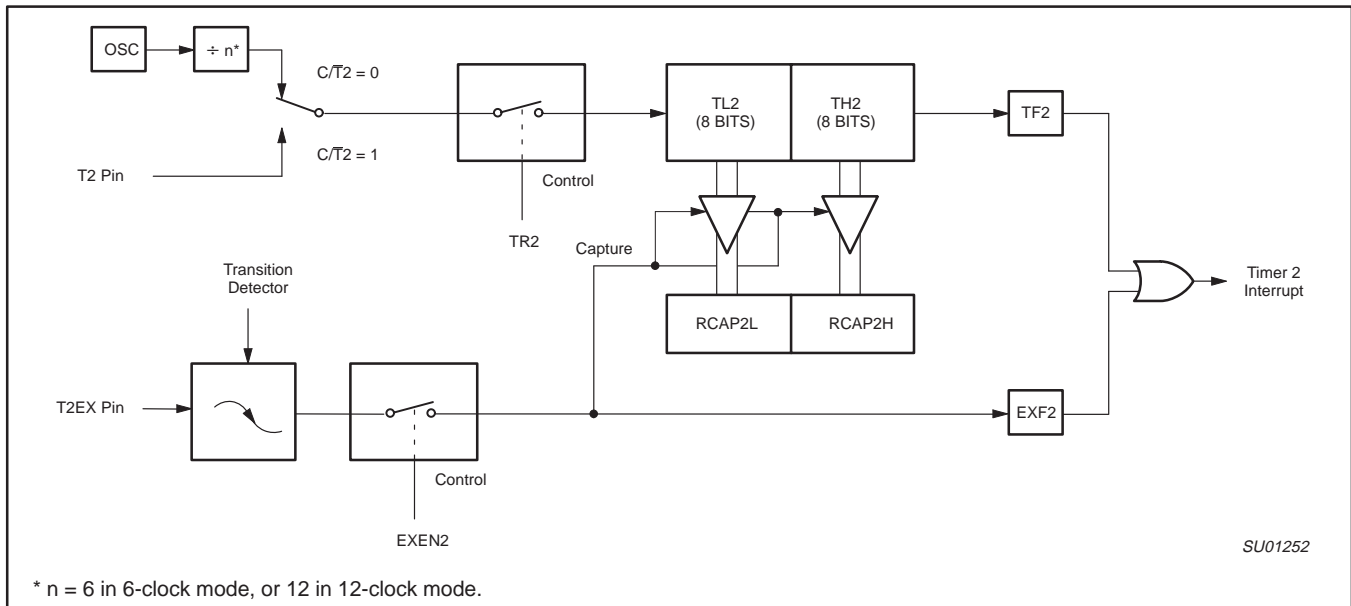
# 80C51 8-bit Flash microcontroller family

# P89C51RA2/RB2/RC2/RD2xx

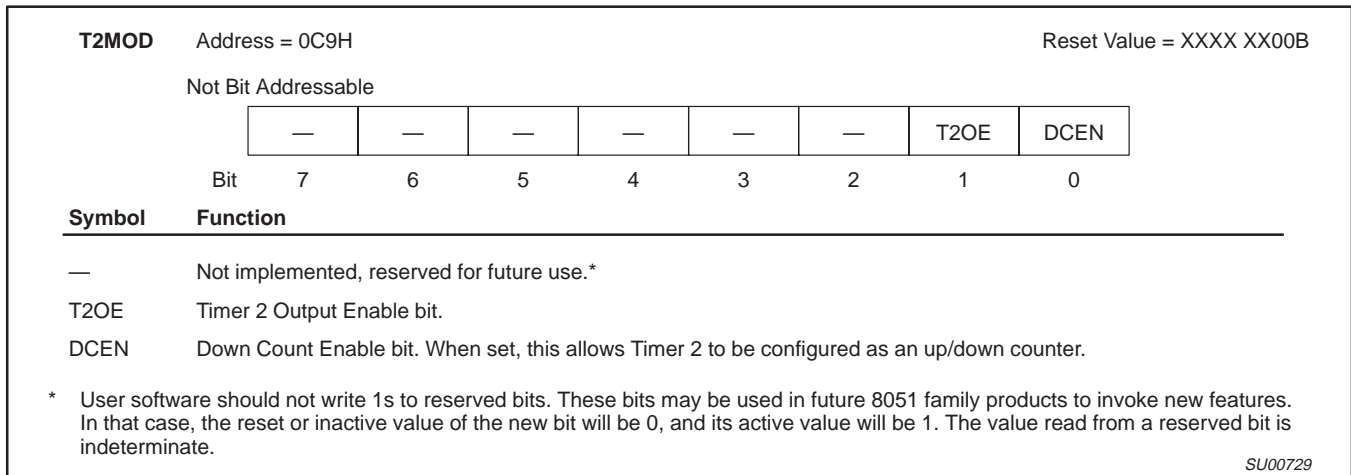
8KB/16KB/32KB/64KB ISP/IAP Flash with 512B/512B/512B/1KB RAM

**Table 3. Timer 2 Operating Modes**

| RCLK + TCLK | CP/RL2 | TR2 | MODE                |
|-------------|--------|-----|---------------------|
| 0           | 0      | 1   | 16-bit Auto-reload  |
| 0           | 1      | 1   | 16-bit Capture      |
| 1           | X      | 1   | Baud rate generator |
| X           | X      | 0   | (off)               |



**Figure 7. Timer 2 in Capture Mode**



**Figure 8. Timer 2 Mode (T2MOD) Control Register**

80C51 8-bit Flash microcontroller family

P89C51RA2/RB2/RC2/RD2xx

8KB/16KB/32KB/64KB ISP/IAP Flash with 512B/512B/512B/1KB RAM

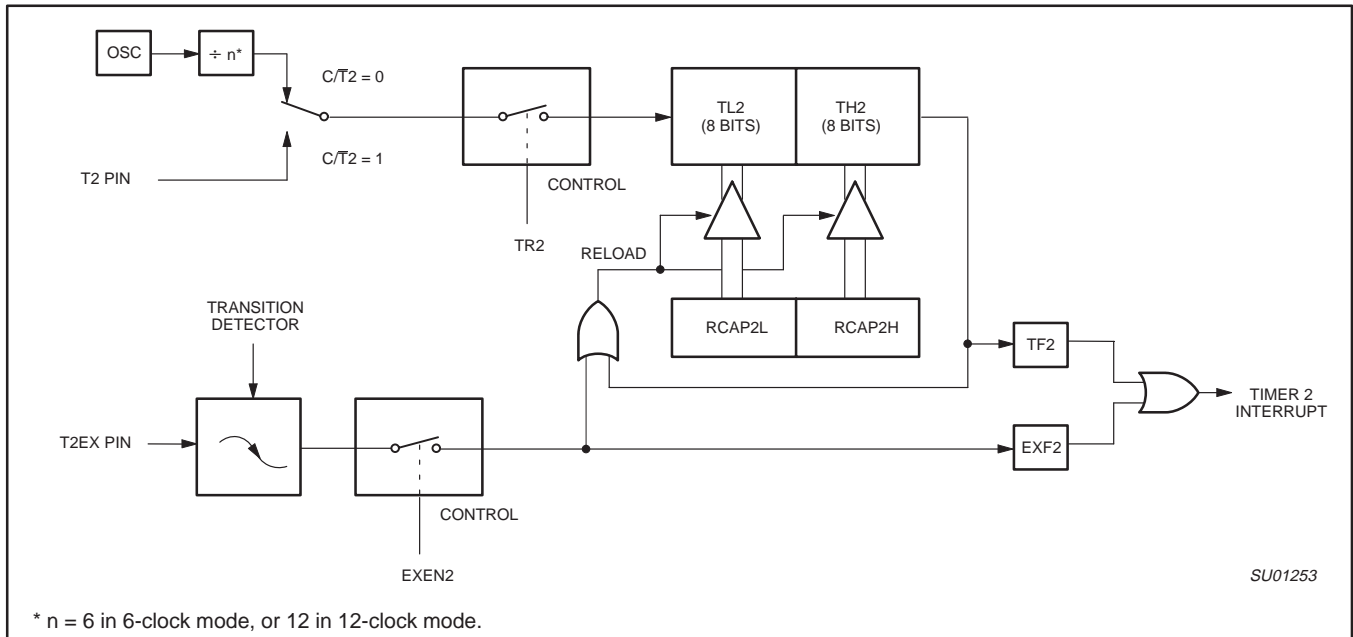


Figure 9. Timer 2 in Auto-Reload Mode (DCEN = 0)

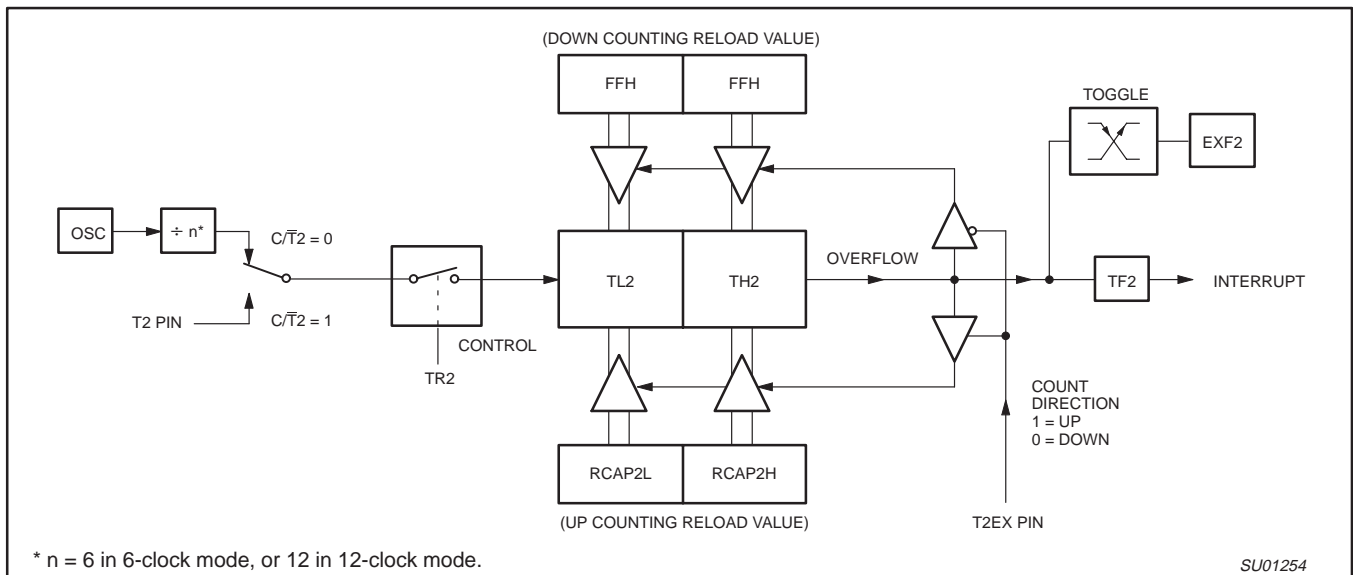


Figure 10. Timer 2 Auto Reload Mode (DCEN = 1)

80C51 8-bit Flash microcontroller family

P89C51RA2/RB2/RC2/RD2xx

8KB/16KB/32KB/64KB ISP/IAP Flash with 512B/512B/512B/1KB RAM

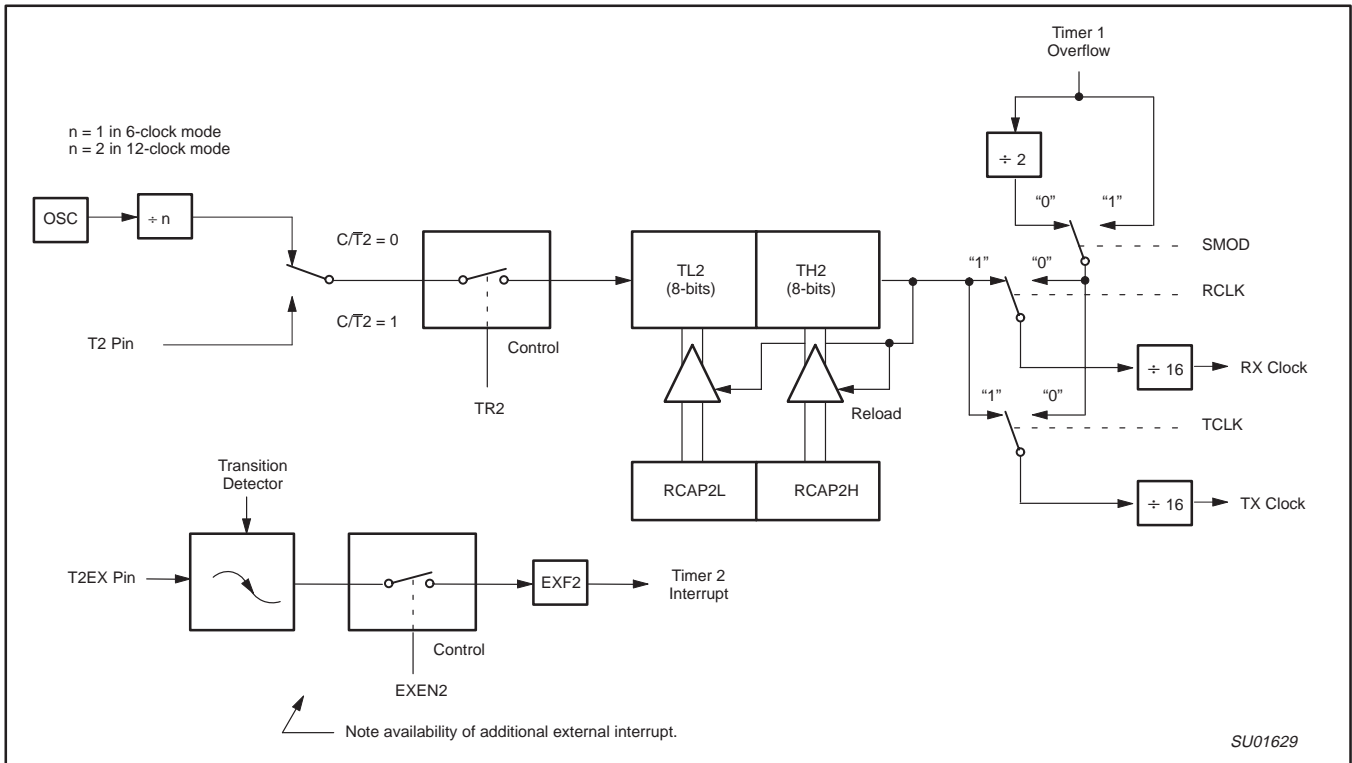


Figure 11. Timer 2 in Baud Rate Generator Mode

Table 4. Timer 2 Generated Commonly Used Baud Rates

| Baud Rate     |              | Osc Freq | Timer 2 |        |
|---------------|--------------|----------|---------|--------|
| 12-clock mode | 6-clock mode |          | RCAP2H  | RCAP2L |
| 375 k         | 750 k        | 12 MHz   | FF      | FF     |
| 9.6 k         | 19.2 k       | 12 MHz   | FF      | D9     |
| 4.8 k         | 9.6 k        | 12 MHz   | FF      | B2     |
| 2.4 k         | 4.8 k        | 12 MHz   | FF      | 64     |
| 1.2 k         | 2.4 k        | 12 MHz   | FE      | C8     |
| 300           | 600          | 12 MHz   | FB      | 1E     |
| 110           | 220          | 12 MHz   | F2      | AF     |
| 300           | 600          | 6 MHz    | FD      | 8F     |
| 110           | 220          | 6 MHz    | F9      | 57     |

Baud Rate Generator Mode

Bits TCLK and/or RCLK in T2CON (Table 4) allow the serial port transmit and receive baud rates to be derived from either Timer 1 or Timer 2. When TCLK= 0, Timer 1 is used as the serial port transmit baud rate generator. When TCLK= 1, Timer 2 is used as the serial port transmit baud rate generator. RCLK has the same effect for the serial port receive baud rate. With these two bits, the serial port can have different receive and transmit baud rates – one generated by Timer 1, the other by Timer 2.

Figure 11 shows the Timer 2 in baud rate generation mode. The baud rate generation mode is like the auto-reload mode, in that a rollover in TH2 causes the Timer 2 registers to be reloaded with the 16-bit value in registers RCAP2H and RCAP2L, which are preset by software.

The baud rates in modes 1 and 3 are determined by Timer 2's overflow rate given below:

$$\text{Modes 1 and 3 Baud Rates} = \frac{\text{Timer 2 Overflow Rate}}{16}$$

The timer can be configured for either "timer" or "counter" operation. In many applications, it is configured for "timer" operation (C/T2=0). Timer operation is different for Timer 2 when it is being used as a baud rate generator.

Usually, as a timer it would increment every machine cycle (i.e., 1/6 the oscillator frequency in 6-clock mode, 1/12 the oscillator frequency in 12-clock mode). As a baud rate generator, it increments at the oscillator frequency in 6-clock mode (OSC/2 in 12-clock mode). Thus the baud rate formula is as follows:

$$\text{Modes 1 and 3 Baud Rates} = \frac{\text{Oscillator Frequency}}{[n * \times [65536 - (\text{RCAP2H}, \text{RCAP2L})]}$$

\* n = 16 in 6-clock mode  
32 in 12-clock mode

Where: (RCAP2H, RCAP2L)= The content of RCAP2H and RCAP2L taken as a 16-bit unsigned integer.

The Timer 2 as a baud rate generator mode shown in Figure 11, is valid only if RCLK and/or TCLK = 1 in T2CON register. Note that a rollover in TH2 does not set TF2, and will not generate an interrupt. Thus, the Timer 2 interrupt does not have to be disabled when Timer 2 is in the baud rate generator mode. Also if the EXEN2 (T2 external enable flag) is set, a 1-to-0 transition in T2EX (Timer/counter 2 trigger input) will set EXF2 (T2 external flag) but will not cause a reload from (RCAP2H, RCAP2L) to (TH2, TL2). Therefore when Timer 2 is in use as a baud rate generator, T2EX can be used as an additional external interrupt, if needed.

# 80C51 8-bit Flash microcontroller family

# P89C51RA2/RB2/RC2/RD2xx

8KB/16KB/32KB/64KB ISP/IAP Flash with 512B/512B/512B/1KB RAM

When Timer 2 is in the baud rate generator mode, one should not try to read or write TH2 and TL2. As a baud rate generator, Timer 2 is incremented every state time ( $osc/2$ ) or asynchronously from pin T2; under these conditions, a read or write of TH2 or TL2 may not be accurate. The RCAP2 registers may be read, but should not be written to, because a write might overlap a reload and cause write and/or reload errors. The timer should be turned off (clear TR2) before accessing the Timer 2 or RCAP2 registers.

Table 4 shows commonly used baud rates and how they can be obtained from Timer 2.

### Summary of Baud Rate Equations

Timer 2 is in baud rate generating mode. If Timer 2 is being clocked through pin T2 (P1.0) the baud rate is:

$$\text{Baud Rate} = \frac{\text{Timer 2 Overflow Rate}}{16}$$

If Timer 2 is being clocked internally, the baud rate is:

$$\text{Baud Rate} = \frac{f_{osc}}{[n * \times [65536 - (RCAP2H, RCAP2L)]]}$$

\* n = 16 in 6-clock mode  
32 in 12-clock mode

Where  $f_{OSC}$  = Oscillator Frequency

To obtain the reload value for RCAP2H and RCAP2L, the above equation can be rewritten as:

$$RCAP2H, RCAP2L = 65536 - \left( \frac{f_{osc}}{n * \times \text{Baud Rate}} \right)$$

### Timer/Counter 2 Set-up

Except for the baud rate generator mode, the values given for T2CON do not include the setting of the TR2 bit. Therefore, bit TR2 must be set, separately, to turn the timer on. see Table 5 for set-up of Timer 2 as a timer. Also see Table 6 for set-up of Timer 2 as a counter.

**Table 5. Timer 2 as a Timer**

| MODE  | T2CON                        |                              |
|---|------------------------------|------------------------------|
|   | INTERNAL CONTROL<br>(Note 1) | EXTERNAL CONTROL<br>(Note 2) |
| 16-bit Auto-Reload                                      | 00H                          | 08H                          |
| 16-bit Capture  | 01H                          | 09H                          |
| Baud rate generator receive and transmit same baud rate | 34H                          | 36H                          |
| Receive only  | 24H                          | 26H                          |
| Transmit only   | 14H                          | 16H                          |

**Table 6. Timer 2 as a Counter**

| MODE        | TMOD                         |                              |
|-------------|------------------------------|------------------------------|
|             | INTERNAL CONTROL<br>(Note 1) | EXTERNAL CONTROL<br>(Note 2) |
| 16-bit      | 02H                          | 0AH                          |
| Auto-Reload | 03H                          | 0BH                          |

**NOTES:**

1. Capture/reload occurs only on timer/counter overflow.
2. Capture/reload occurs on timer/counter overflow and a 1-to-0 transition on T2EX (P1.1) pin except when Timer 2 is used in the baud rate generator mode.

## 80C51 8-bit Flash microcontroller family

## P89C51RA2/RB2/RC2/RD2xx

8KB/16KB/32KB/64KB ISP/IAP Flash with 512B/512B/512B/1KB RAM

## FULL-DUPLEX ENHANCED UART

## Standard UART operation

The serial port is full duplex, meaning it can transmit and receive simultaneously. It is also receive-buffered, meaning it can commence reception of a second byte before a previously received byte has been read from the register. (However, if the first byte still hasn't been read by the time reception of the second byte is complete, one of the bytes will be lost.) The serial port receive and transmit registers are both accessed at Special Function Register SBUF. Writing to SBUF loads the transmit register, and reading SBUF accesses a physically separate receive register.

The serial port can operate in 4 modes:

- Mode 0:** Serial data enters and exits through RxD. TxD outputs the shift clock. 8 bits are transmitted/received (LSB first). The baud rate is fixed at 1/12 the oscillator frequency in 12-clock mode or 1/6 the oscillator frequency in 6-clock mode.
- Mode 1:** 10 bits are transmitted (through TxD) or received (through RxD): a start bit (0), 8 data bits (LSB first), and a stop bit (1). On receive, the stop bit goes into RB8 in Special Function Register SCON. The baud rate is variable.
- Mode 2:** 11 bits are transmitted (through TxD) or received (through RxD): start bit (0), 8 data bits (LSB first), a programmable 9th data bit, and a stop bit (1). On Transmit, the 9th data bit (TB8 in SCON) can be assigned the value of 0 or 1. Or, for example, the parity bit (P, in the PSW) could be moved into TB8. On receive, the 9th data bit goes into RB8 in Special Function Register SCON, while the stop bit is ignored. The baud rate is programmable to either 1/32 or 1/64 the oscillator frequency in 12-clock mode or 1/16 or 1/32 the oscillator frequency in 6-clock mode.
- Mode 3:** 11 bits are transmitted (through TxD) or received (through RxD): a start bit (0), 8 data bits (LSB first), a programmable 9th data bit, and a stop bit (1). In fact, Mode 3 is the same as Mode 2 in all respects except baud rate. The baud rate in Mode 3 is variable.

In all four modes, transmission is initiated by any instruction that uses SBUF as a destination register. Reception is initiated in Mode 0 by the condition RI = 0 and REN = 1. Reception is initiated in the other modes by the incoming start bit if REN = 1.

## Multiprocessor Communications

Modes 2 and 3 have a special provision for multiprocessor communications. In these modes, 9 data bits are received. The 9th one goes into RB8. Then comes a stop bit. The port can be programmed such that when the stop bit is received, the serial port interrupt will be activated only if RB8 = 1. This feature is enabled by setting bit SM2 in SCON. A way to use this feature in multiprocessor systems is as follows:

When the master processor wants to transmit a block of data to one of several slaves, it first sends out an address byte which identifies the target slave. An address byte differs from a data byte in that the 9th bit is 1 in an address byte and 0 in a data byte. With SM2 = 1, no slave will be interrupted by a data byte. An address byte, however, will interrupt all slaves, so that each slave can examine the received byte and see if it is being addressed. The addressed slave will clear its SM2 bit and prepare to receive the data bytes that will be coming.

The slaves that weren't being addressed leave their SM2s set and go on about their business, ignoring the coming data bytes.

SM2 has no effect in Mode 0, and in Mode 1 can be used to check the validity of the stop bit. In a Mode 1 reception, if SM2 = 1, the receive interrupt will not be activated unless a valid stop bit is received.

## Serial Port Control Register

The serial port control and status register is the Special Function Register SCON, shown in Figure 12. This register contains not only the mode selection bits, but also the 9th data bit for transmit and receive (TB8 and RB8), and the serial port interrupt bits (TI and RI).

## Baud Rates

The baud rate in Mode 0 is fixed: Mode 0 Baud Rate = Oscillator Frequency / 12 (12-clock mode) or / 6 (6-clock mode). The baud rate in Mode 2 depends on the value of bit SMOD in Special Function Register PCON. If SMOD = 0 (which is the value on reset), and the port pins in 12-clock mode, the baud rate is 1/64 the oscillator frequency. If SMOD = 1, the baud rate is 1/32 the oscillator frequency. In 6-clock mode, the baud rate is 1/32 or 1/16 the oscillator frequency, respectively.

Mode 2 Baud Rate =

$$\frac{2^{SMOD}}{n} \times (\text{Oscillator Frequency})$$

Where:

$$n = 64 \text{ in 12-clock mode, } 32 \text{ in 6-clock mode}$$

The baud rates in Modes 1 and 3 are determined by the Timer 1 or Timer 2 overflow rate.

## Using Timer 1 to Generate Baud Rates

When Timer 1 is used as the baud rate generator (T2CON.RCLK = 0, T2CON.TCLK = 0), the baud rates in Modes 1 and 3 are determined by the Timer 1 overflow rate and the value of SMOD as follows:

Mode 1, 3 Baud Rate =

$$\frac{2^{SMOD}}{n} \times (\text{Timer 1 Overflow Rate})$$

Where:

$$n = 32 \text{ in 12-clock mode, } 16 \text{ in 6-clock mode}$$

The Timer 1 interrupt should be disabled in this application. The Timer itself can be configured for either "timer" or "counter" operation, and in any of its 3 running modes. In the most typical applications, it is configured for "timer" operation, in the auto-reload mode (high nibble of TMOD = 0010B). In that case the baud rate is given by the formula:

Mode 1, 3 Baud Rate =

$$\frac{2^{SMOD}}{n} \times \frac{\text{Oscillator Frequency}}{12 \times [256 - (TH1)]}$$

Where:

$$n = 32 \text{ in 12-clock mode, } 16 \text{ in 6-clock mode}$$

One can achieve very low baud rates with Timer 1 by leaving the Timer 1 interrupt enabled, and configuring the Timer to run as a 16-bit timer (high nibble of TMOD = 0001B), and using the Timer 1 interrupt to do a 16-bit software reload. Figure 13 lists various commonly used baud rates and how they can be obtained from Timer 1.

# 80C51 8-bit Flash microcontroller family

# P89C51RA2/RB2/RC2/RD2xx

8KB/16KB/32KB/64KB ISP/IAP Flash with 512B/512B/512B/1KB RAM

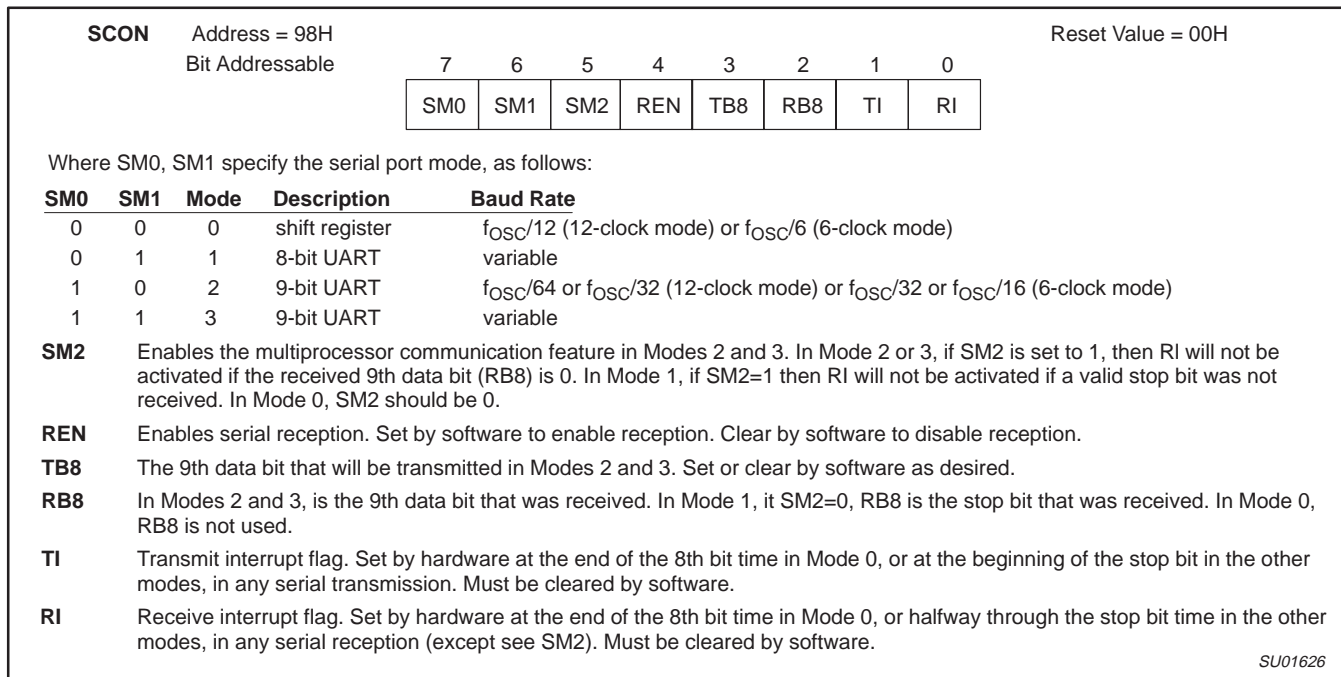


Figure 12. Serial Port Control (SCON) Register

| Baud Rate     |               |              | f <sub>osc</sub> | SMOD | Timer 1 |      |              |
|---------------|---------------|--------------|------------------|------|---------|------|--------------|
| Mode          | 12-clock mode | 6-clock mode |                  |      | C/T     | Mode | Reload Value |
| Mode 0 Max    | 1.67 MHz      | 3.34 MHz     | 20 MHz           | X    | X       | X    | X            |
| Mode 2 Max    | 625 k         | 1250 k       | 20 MHz           | 1    | X       | X    | X            |
| Mode 1, 3 Max | 104.2 k       | 208.4 k      | 20 MHz           | 1    | 0       | 2    | FFH          |
| Mode 1, 3     | 19.2 k        | 38.4 k       | 11.059 MHz       | 1    | 0       | 2    | FDH          |
|               | 9.6 k         | 19.2 k       | 11.059 MHz       | 0    | 0       | 2    | FDH          |
|               | 4.8 k         | 9.6 k        | 11.059 MHz       | 0    | 0       | 2    | FAH          |
|               | 2.4 k         | 4.8 k        | 11.059 MHz       | 0    | 0       | 2    | F4H          |
|               | 1.2 k         | 2.4 k        | 11.059 MHz       | 0    | 0       | 2    | E8H          |
|               | 137.5         | 275          | 11.986 MHz       | 0    | 0       | 2    | 1DH          |
|               | 110           | 220          | 6 MHz            | 0    | 0       | 2    | 72H          |
|               | 110           | 220          | 12 MHz           | 0    | 0       | 1    | FEEBH        |

Figure 13. Timer 1 Generated Commonly Used Baud Rates

**More About Mode 0**

Serial data enters and exits through Rx/D. Tx/D outputs the shift clock. 8 bits are transmitted/received: 8 data bits (LSB first). The baud rate is fixed a 1/12 the oscillator frequency (12-clock mode) or 1/6 the oscillator frequency (6-clock mode).

Figure 14 shows a simplified functional diagram of the serial port in Mode 0, and associated timing.

Transmission is initiated by any instruction that uses SBUF as a destination register. The "write to SBUF" signal at S6P2 also loads a 1 into the 9th position of the transmit shift register and tells the TX Control block to commence a transmission. The internal timing is such that one full machine cycle will elapse between "write to SBUF" and activation of SEND.

SEND enables the output of the shift register to the alternate output function line of P3.0 and also enable SHIFT CLOCK to the alternate output function line of P3.1. SHIFT CLOCK is low during S3, S4, and S5 of every machine cycle, and high during S6, S1, and S2. At

S6P2 of every machine cycle in which SEND is active, the contents of the transmit shift are shifted to the right one position.

As data bits shift out to the right, zeros come in from the left. When the MSB of the data byte is at the output position of the shift register, then the 1 that was initially loaded into the 9th position, is just to the left of the MSB, and all positions to the left of that contain zeros. This condition flags the TX Control block to do one last shift and then deactivate SEND and set T1. Both of these actions occur at S1P1 of the 10th machine cycle after "write to SBUF."

Reception is initiated by the condition REN = 1 and R1 = 0. At S6P2 of the next machine cycle, the RX Control unit writes the bits 11111110 to the receive shift register, and in the next clock phase activates RECEIVE.

RECEIVE enable SHIFT CLOCK to the alternate output function line of P3.1. SHIFT CLOCK makes transitions at S3P1 and S6P1 of every machine cycle. At S6P2 of every machine cycle in which RECEIVE is active, the contents of the receive shift register are

## 80C51 8-bit Flash microcontroller family

## P89C51RA2/RB2/RC2/RD2xx

8KB/16KB/32KB/64KB ISP/IAP Flash with 512B/512B/512B/1KB RAM

shifted to the left one position. The value that comes in from the right is the value that was sampled at the P3.0 pin at S5P2 of the same machine cycle.

As data bits come in from the right, 1s shift out to the left. When the 0 that was initially loaded into the rightmost position arrives at the leftmost position in the shift register, it flags the RX Control block to do one last shift and load SBUF. At S1P1 of the 10th machine cycle after the write to SCON that cleared RI, RECEIVE is cleared as RI is set.

**More About Mode 1**

Ten bits are transmitted (through TxD), or received (through RxD): a start bit (0), 8 data bits (LSB first), and a stop bit (1). On receive, the stop bit goes into RB8 in SCON. In the 80C51 the baud rate is determined by the Timer 1 or Timer 2 overflow rate.

Figure 15 shows a simplified functional diagram of the serial port in Mode 1, and associated timings for transmit receive.

Transmission is initiated by any instruction that uses SBUF as a destination register. The "write to SBUF" signal also loads a 1 into the 9th bit position of the transmit shift register and flags the TX Control unit that a transmission is requested. Transmission actually commences at S1P1 of the machine cycle following the next rollover in the divide-by-16 counter. (Thus, the bit times are synchronized to the divide-by-16 counter, not to the "write to SBUF" signal.)

The transmission begins with activation of SEND which puts the start bit at TxD. One bit time later, DATA is activated, which enables the output bit of the transmit shift register to TxD. The first shift pulse occurs one bit time after that.

As data bits shift out to the right, zeros are clocked in from the left. When the MSB of the data byte is at the output position of the shift register, then the 1 that was initially loaded into the 9th position is just to the left of the MSB, and all positions to the left of that contain zeros. This condition flags the TX Control unit to do one last shift and then deactivate SEND and set TI. This occurs at the 10th divide-by-16 rollover after "write to SBUF."

Reception is initiated by a detected 1-to-0 transition at RxD. For this purpose RxD is sampled at a rate of 16 times whatever baud rate has been established. When a transition is detected, the divide-by-16 counter is immediately reset, and 1FFH is written into the input shift register. Resetting the divide-by-16 counter aligns its rollovers with the boundaries of the incoming bit times.

The 16 states of the counter divide each bit time into 16ths. At the 7th, 8th, and 9th counter states of each bit time, the bit detector samples the value of RxD. The value accepted is the value that was seen in at least 2 of the 3 samples. This is done for noise rejection. If the value accepted during the first bit time is not 0, the receive circuits are reset and the unit goes back to looking for another 1-to-0 transition. This is to provide rejection of false start bits. If the start bit proves valid, it is shifted into the input shift register, and reception of the rest of the frame will proceed.

As data bits come in from the right, 1s shift out to the left. When the start bit arrives at the leftmost position in the shift register (which in mode 1 is a 9-bit register), it flags the RX Control block to do one last shift, load SBUF and RB8, and set RI. The signal to load SBUF and RB8, and to set RI, will be generated if, and only if, the following conditions are met at the time the final shift pulse is generated.:

1. RI = 0, and
2. Either SM2 = 0, or the received stop bit = 1.

If either of these two conditions is not met, the received frame is irretrievably lost. If both conditions are met, the stop bit goes into RB8, the 8 data bits go into SBUF, and RI is activated. At this time,

whether the above conditions are met or not, the unit goes back to looking for a 1-to-0 transition in RxD.

**More About Modes 2 and 3**

Eleven bits are transmitted (through TxD), or received (through RxD): a start bit (0), 8 data bits (LSB first), a programmable 9th data bit, and a stop bit (1). On transmit, the 9th data bit (TB8) can be assigned the value of 0 or 1. On receive, the 9th data bit goes into RB8 in SCON. The baud rate is programmable to either 1/32 or 1/64 (12-clock mode) or 1/16 or 1/32 the oscillator frequency (6-clock mode) the oscillator frequency in Mode 2. Mode 3 may have a variable baud rate generated from Timer 1 or Timer 2.

Figures 16 and 17 show a functional diagram of the serial port in Modes 2 and 3. The receive portion is exactly the same as in Mode 1. The transmit portion differs from Mode 1 only in the 9th bit of the transmit shift register.

Transmission is initiated by any instruction that uses SBUF as a destination register. The "write to SBUF" signal also loads TB8 into the 9th bit position of the transmit shift register and flags the TX Control unit that a transmission is requested. Transmission commences at S1P1 of the machine cycle following the next rollover in the divide-by-16 counter. (Thus, the bit times are synchronized to the divide-by-16 counter, not to the "write to SBUF" signal.)

The transmission begins with activation of SEND, which puts the start bit at TxD. One bit time later, DATA is activated, which enables the output bit of the transmit shift register to TxD. The first shift pulse occurs one bit time after that. The first shift clocks a 1 (the stop bit) into the 9th bit position of the shift register. Thereafter, only zeros are clocked in. Thus, as data bits shift out to the right, zeros are clocked in from the left. When TB8 is at the output position of the shift register, then the stop bit is just to the left of TB8, and all positions to the left of that contain zeros. This condition flags the TX Control unit to do one last shift and then deactivate SEND and set TI. This occurs at the 11th divide-by-16 rollover after "write to SBUF."

Reception is initiated by a detected 1-to-0 transition at RxD. For this purpose RxD is sampled at a rate of 16 times whatever baud rate has been established. When a transition is detected, the divide-by-16 counter is immediately reset, and 1FFH is written to the input shift register.

At the 7th, 8th, and 9th counter states of each bit time, the bit detector samples the value of R-D. The value accepted is the value that was seen in at least 2 of the 3 samples. If the value accepted during the first bit time is not 0, the receive circuits are reset and the unit goes back to looking for another 1-to-0 transition. If the start bit proves valid, it is shifted into the input shift register, and reception of the rest of the frame will proceed.

As data bits come in from the right, 1s shift out to the left. When the start bit arrives at the leftmost position in the shift register (which in Modes 2 and 3 is a 9-bit register), it flags the RX Control block to do one last shift, load SBUF and RB8, and set RI.

The signal to load SBUF and RB8, and to set RI, will be generated if, and only if, the following conditions are met at the time the final shift pulse is generated.

1. RI = 0, and
2. Either SM2 = 0, or the received 9th data bit = 1.

If either of these conditions is not met, the received frame is irretrievably lost, and RI is not set. If both conditions are met, the received 9th data bit goes into RB8, and the first 8 data bits go into SBUF. One bit time later, whether the above conditions were met or not, the unit goes back to looking for a 1-to-0 transition at the RxD input.

80C51 8-bit Flash microcontroller family

P89C51RA2/RB2/RC2/RD2xx

8KB/16KB/32KB/64KB ISP/IAP Flash with 512B/512B/512B/1KB RAM

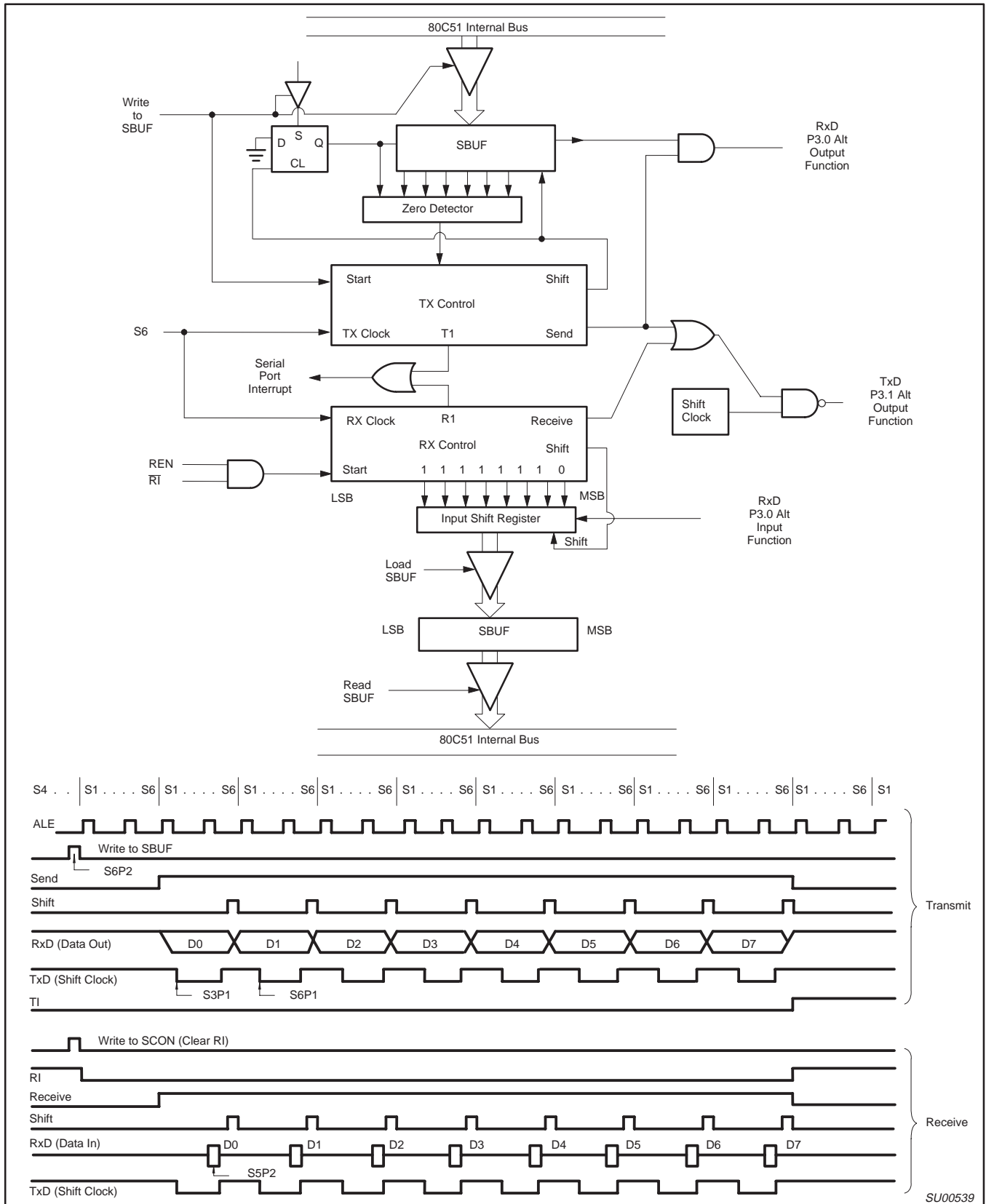


Figure 14. Serial Port Mode 0

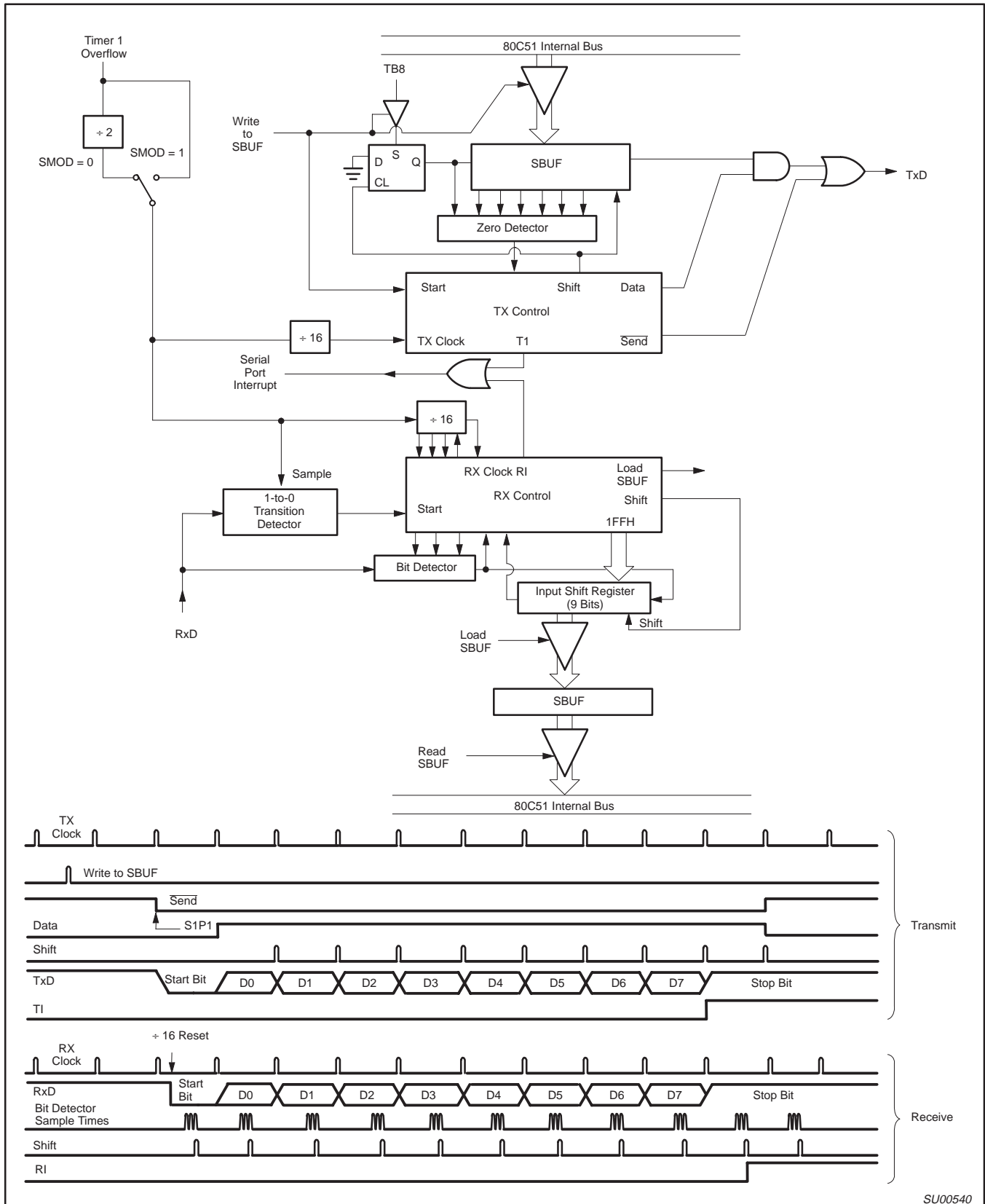
SU00539



80C51 8-bit Flash microcontroller family

P89C51RA2/RB2/RC2/RD2xx

8KB/16KB/32KB/64KB ISP/IAP Flash with 512B/512B/512B/1KB RAM



SU00540

Figure 15. Serial Port Mode 1

80C51 8-bit Flash microcontroller family

P89C51RA2/RB2/RC2/RD2xx

8KB/16KB/32KB/64KB ISP/IAP Flash with 512B/512B/512B/1KB RAM

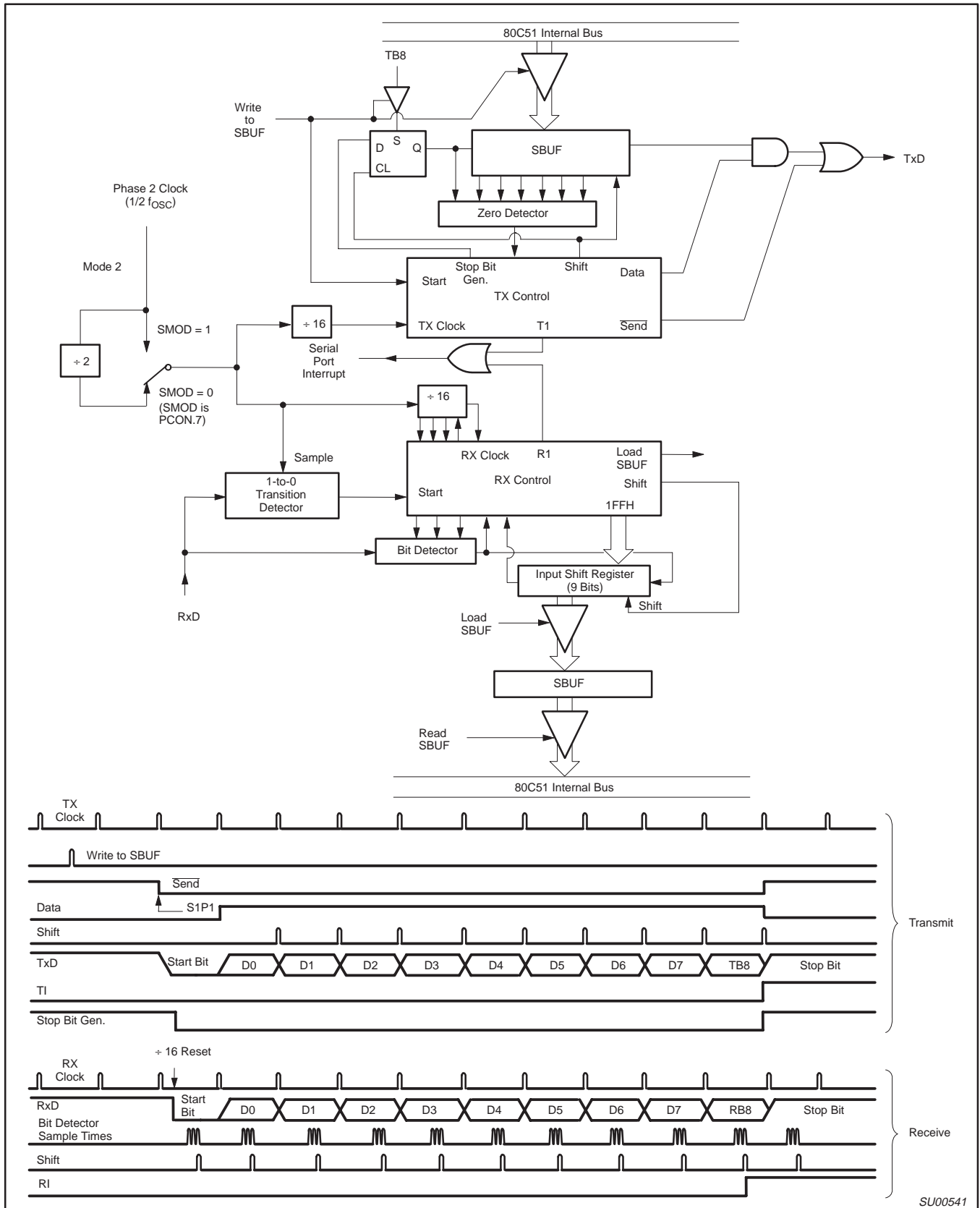


Figure 16. Serial Port Mode 2

80C51 8-bit Flash microcontroller family

P89C51RA2/RB2/RC2/RD2xx

8KB/16KB/32KB/64KB ISP/IAP Flash with 512B/512B/512B/1KB RAM

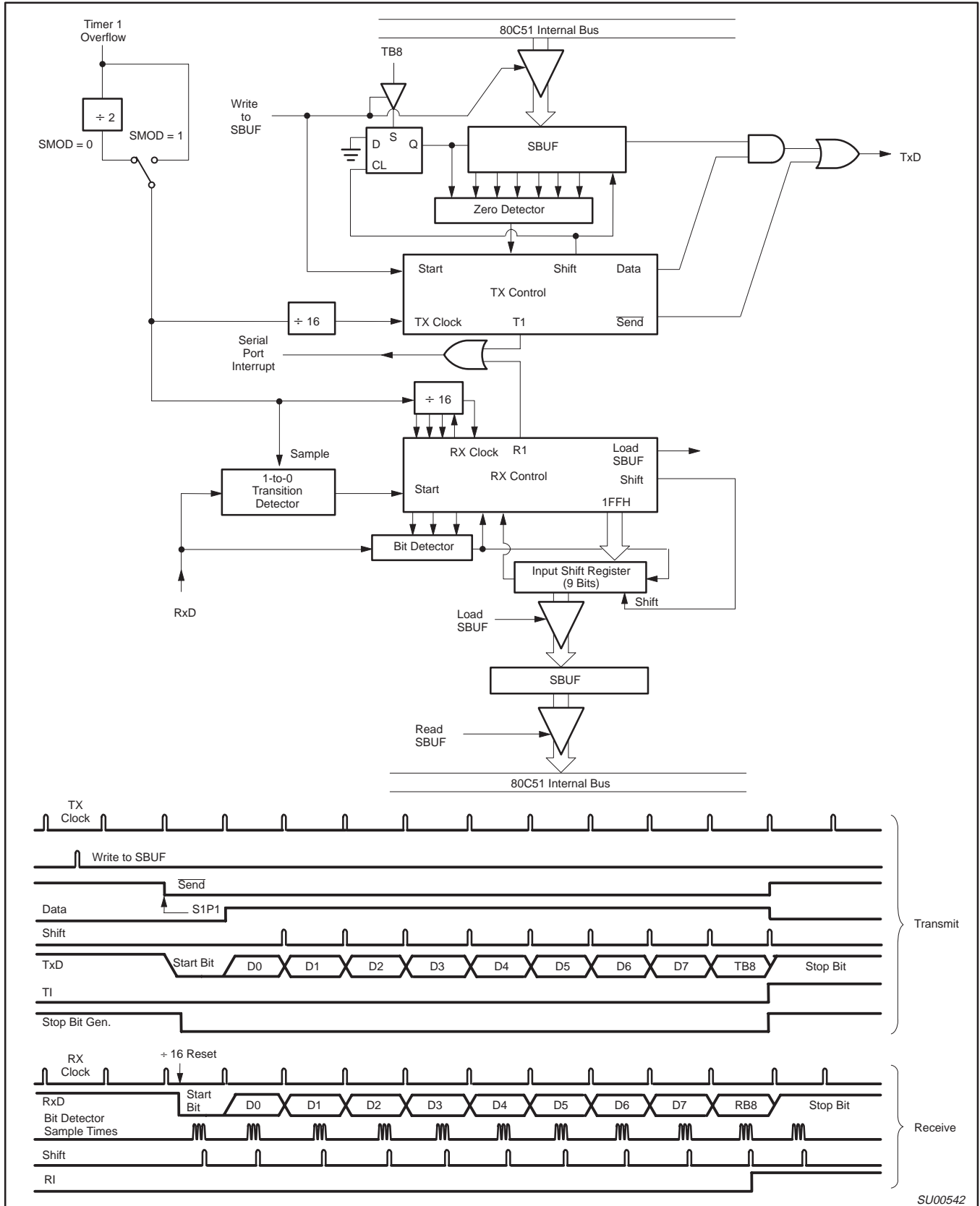


Figure 17. Serial Port Mode 3

# 80C51 8-bit Flash microcontroller family

# P89C51RA2/RB2/RC2/RD2xx

8KB/16KB/32KB/64KB ISP/IAP Flash with 512B/512B/512B/1KB RAM

## Enhanced UART

In addition to the standard operation the UART can perform framing error detect by looking for missing stop bits, and automatic address recognition. The UART also fully supports multiprocessor communication as does the standard 80C51 UART.

When used for framing error detect the UART looks for missing stop bits in the communication. A missing bit will set the FE bit in the SCON register. The FE bit shares the SCON.7 bit with SM0 and the function of SCON.7 is determined by PCON.6 (SMOD0) (see Figure 18). If SMOD0 is set then SCON.7 functions as FE. SCON.7 functions as SM0 when SMOD0 is cleared. When used as FE SCON.7 can only be cleared by software. Refer to Figure 19.

## Automatic Address Recognition

Automatic Address Recognition is a feature which allows the UART to recognize certain addresses in the serial bit stream by using hardware to make the comparisons. This feature saves a great deal of software overhead by eliminating the need for the software to examine every serial address which passes by the serial port. This feature is enabled by setting the SM2 bit in SCON. In the 9 bit UART modes, mode 2 and mode 3, the Receive Interrupt flag (RI) will be automatically set when the received byte contains either the "Given" address or the "Broadcast" address. The 9-bit mode requires that the 9th information bit is a 1 to indicate that the received information is an address and not data. Automatic address recognition is shown in Figure 20.

The 8 bit mode is called Mode 1. In this mode the RI flag will be set if SM2 is enabled and the information received has a valid stop bit following the 8 address bits and the information is either a Given or Broadcast address.

Mode 0 is the Shift Register mode and SM2 is ignored.

Using the Automatic Address Recognition feature allows a master to selectively communicate with one or more slaves by invoking the Given slave address or addresses. All of the slaves may be contacted by using the Broadcast address. Two special Function Registers are used to define the slave's address, SADDR, and the address mask, SADEN. SADEN is used to define which bits in the SADDR are to be used and which bits are "don't care". The SADEN mask can be logically ANDed with the SADDR to create the "Given" address which the master will use for addressing each of the slaves. Use of the Given address allows multiple slaves to be recognized while excluding others. The following examples will help to show the versatility of this scheme:

```
Slave 0    SADDR = 1100 0000
           SADEN = 1111 1101
           Given  = 1100 00X0
```

```
Slave 1    SADDR = 1100 0000
           SADEN = 1111 1110
           Given  = 1100 00X0
```

In the above example SADDR is the same and the SADEN data is used to differentiate between the two slaves. Slave 0 requires a 0 in bit 0 and it ignores bit 1. Slave 1 requires a 0 in bit 1 and bit 0 is ignored. A unique address for Slave 0 would be 1100 0010 since slave 1 requires a 0 in bit 1. A unique address for slave 1 would be 1100 0001 since a 1 in bit 0 will exclude slave 0. Both slaves can be selected at the same time by an address which has bit 0 = 0 (for slave 0) and bit 1 = 0 (for slave 1). Thus, both could be addressed with 1100 0000.

In a more complex system the following could be used to select slaves 1 and 2 while excluding slave 0:

```
Slave 0    SADDR = 1100 0000
           SADEN = 1111 1001
           Given  = 1100 0XX0

Slave 1    SADDR = 1110 0000
           SADEN = 1111 1010
           Given  = 1110 0X0X

Slave 2    SADDR = 1110 0000
           SADEN = 1111 1100
           Given  = 1110 00XX
```

In the above example the differentiation among the 3 slaves is in the lower 3 address bits. Slave 0 requires that bit 0 = 0 and it can be uniquely addressed by 1110 0110. Slave 1 requires that bit 1 = 0 and it can be uniquely addressed by 1110 and 0101. Slave 2 requires that bit 2 = 0 and its unique address is 1110 0011. To select Slaves 0 and 1 and exclude Slave 2 use address 1110 0100, since it is necessary to make bit 2 = 1 to exclude slave 2.

The Broadcast Address for each slave is created by taking the logical OR of SADDR and SADEN. Zeros in this result are treated as don't-cares. In most cases, interpreting the don't-cares as ones, the broadcast address will be FF hexadecimal.

Upon reset SADDR (SFR address 0A9H) and SADEN (SFR address 0B9H) are loaded with 0s. This produces a given address of all "don't cares" as well as a Broadcast address of all "don't cares". This effectively disables the Automatic Addressing mode and allows the microcontroller to use standard 80C51 type UART drivers which do not make use of this feature.

80C51 8-bit Flash microcontroller family

P89C51RA2/RB2/RC2/RD2xx

8KB/16KB/32KB/64KB ISP/IAP Flash with 512B/512B/512B/1KB RAM

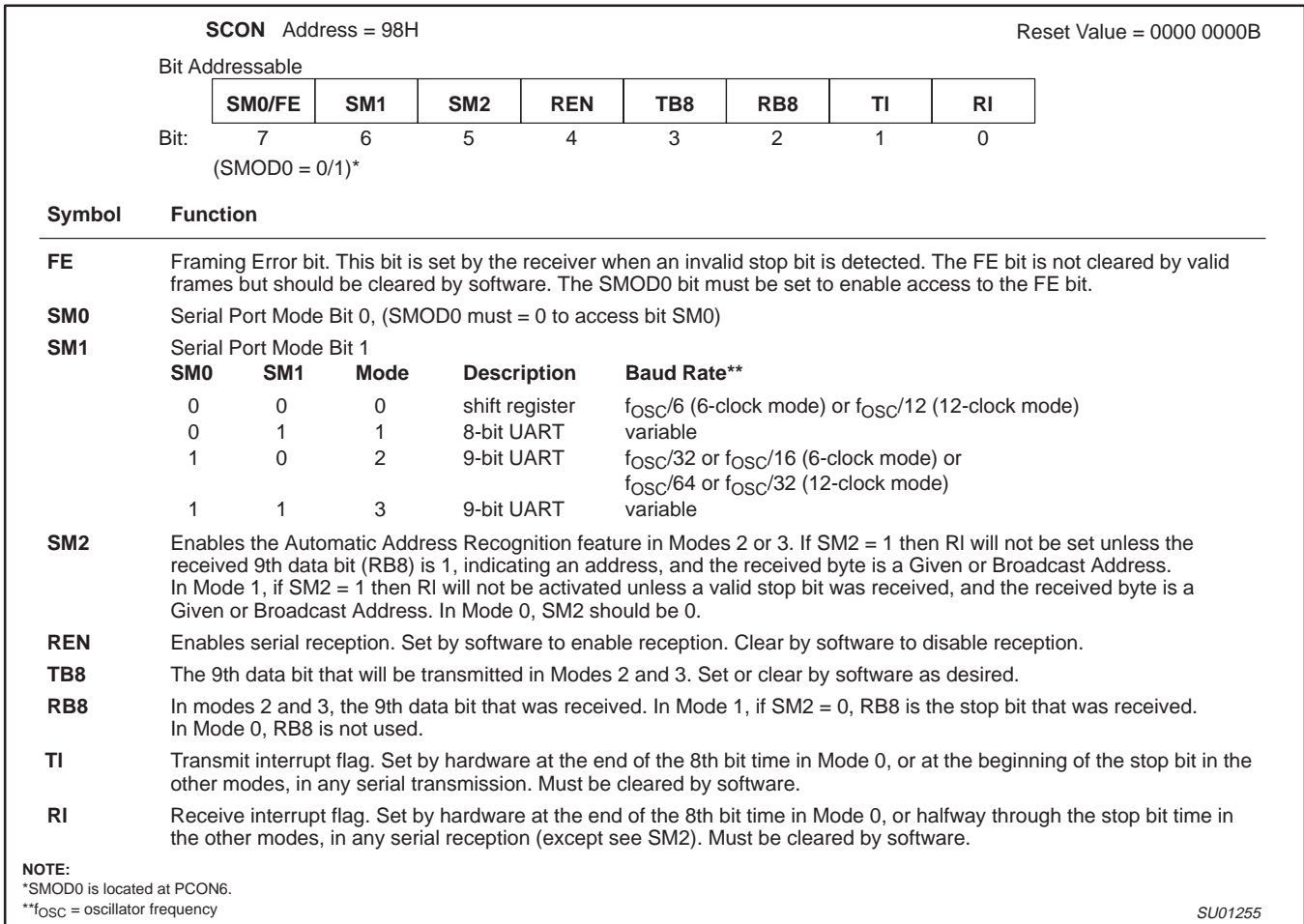


Figure 18. SCON: Serial Port Control Register

80C51 8-bit Flash microcontroller family

P89C51RA2/RB2/RC2/RD2xx

8KB/16KB/32KB/64KB ISP/IAP Flash with 512B/512B/512B/1KB RAM

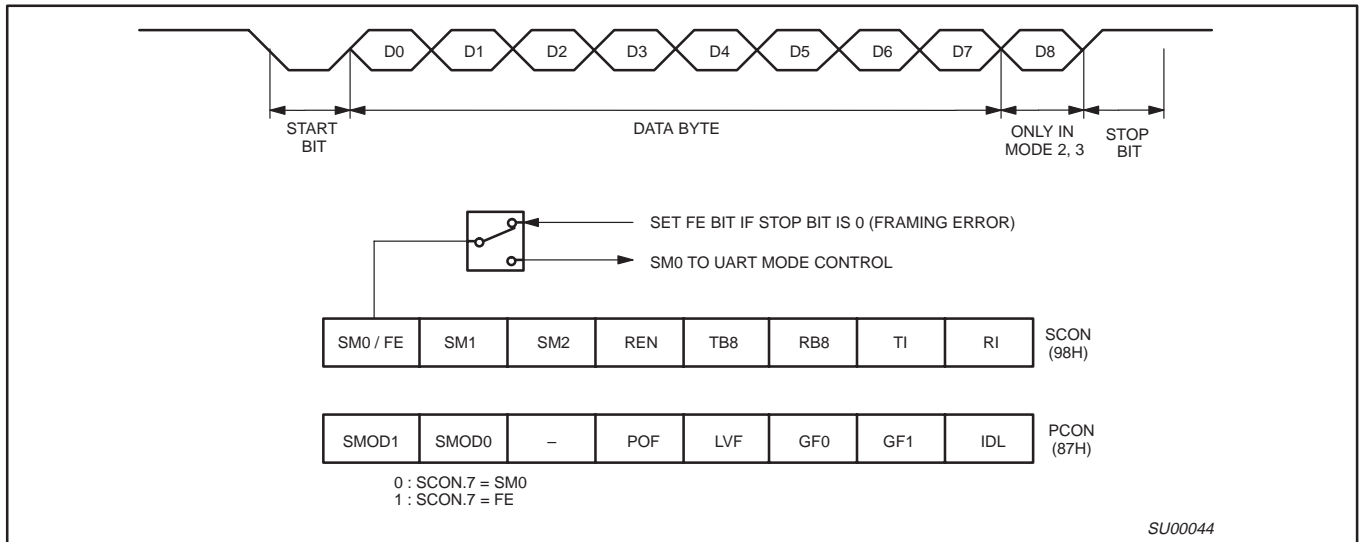


Figure 19. UART Framing Error Detection

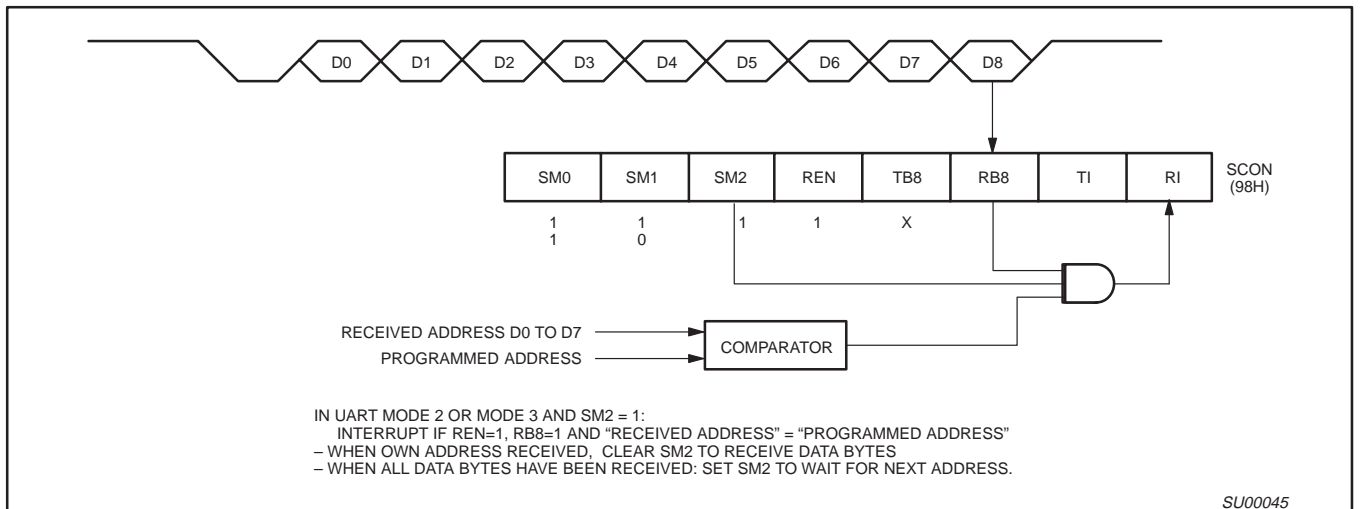


Figure 20. UART Multiprocessor Communication, Automatic Address Recognition

# 80C51 8-bit Flash microcontroller family

# P89C51RA2/RB2/RC2/RD2xx

8KB/16KB/32KB/64KB ISP/IAP Flash with 512B/512B/512B/1KB RAM

## Interrupt Priority Structure

The P89C51RA2/RB2/RC2/RD2xx has a 7 source four-level interrupt structure (see Table 7).

There are 3 SFRs associated with the four-level interrupt. They are the IE, IP, and IPH. (See Figures 21, 22, and 23.) The IPH (Interrupt Priority High) register makes the four-level interrupt structure possible. The IPH is located at SFR address B7H. The structure of the IPH register and a description of its bits is shown in Figure 23.

The function of the IPH SFR, when combined with the IP SFR, determines the priority of each interrupt. The priority of each interrupt is determined as shown in the following table:

| PRIORITY BITS |      | INTERRUPT PRIORITY LEVEL   |
|---------------|------|----------------------------|
| IPH.x         | IP.x |                            |
| 0             | 0    | Level 0 (lowest priority)  |
| 0             | 1    | Level 1                    |
| 1             | 0    | Level 2                    |
| 1             | 1    | Level 3 (highest priority) |

The priority scheme for servicing the interrupts is the same as that for the 80C51, except there are four interrupt levels rather than two as on the 80C51. An interrupt will be serviced as long as an interrupt of equal or higher priority is not already being serviced. If an interrupt of equal or higher level priority is being serviced, the new interrupt will wait until it is finished before being serviced. If a lower priority level interrupt is being serviced, it will be stopped and the new interrupt serviced. When the new interrupt is finished, the lower priority level interrupt that was stopped will be completed.

**Table 7. Interrupt Table**

| SOURCE | POLLING PRIORITY | REQUEST BITS        | HARDWARE CLEAR?                       | VECTOR ADDRESS |
|--------|------------------|---------------------|---------------------------------------|----------------|
| X0     | 1                | IE0                 | N (L) <sup>1</sup> Y (T) <sup>2</sup> | 03H            |
| T0     | 2                | TP0                 | Y                                     | 0BH            |
| X1     | 3                | IE1                 | N (L) Y (T)                           | 13H            |
| T1     | 4                | TF1                 | Y                                     | 1BH            |
| PCA    | 5                | CF, CCFn<br>n = 0–4 | N                                     | 33H            |
| SP     | 6                | RI, TI              | N                                     | 23H            |
| T2     | 7                | TF2, EXF2           | N                                     | 2BH            |

**NOTES:**

- 1. L = Level activated
- 2. T = Transition activated

|                  |               | 7  | 6  | 5   | 4  | 3   | 2   | 1   | 0   |
|------------------|---------------|--|----|-----|----|-----|-----|-----|-----|
| <b>IE (0A8H)</b> |               | EA   | EC | ET2 | ES | ET1 | EX1 | ET0 | EX0 |
|                  |               | Enable Bit = 1 enables the interrupt.<br>Enable Bit = 0 disables it.   |    |     |    |     |     |     |     |
| <b>BIT</b>       | <b>SYMBOL</b> | <b>FUNCTION</b>  |    |     |    |     |     |     |     |
| IE.7             | EA            | Global disable bit. If EA = 0, all interrupts are disabled. If EA = 1, each interrupt can be individually enabled or disabled by setting or clearing its enable bit. |    |     |    |     |     |     |     |
| IE.6             | EC            | PCA interrupt enable bit   |    |     |    |     |     |     |     |
| IE.5             | ET2           | Timer 2 interrupt enable bit.  |    |     |    |     |     |     |     |
| IE.4             | ES            | Serial Port interrupt enable bit.  |    |     |    |     |     |     |     |
| IE.3             | ET1           | Timer 1 interrupt enable bit.  |    |     |    |     |     |     |     |
| IE.2             | EX1           | External interrupt 1 enable bit.   |    |     |    |     |     |     |     |
| IE.1             | ET0           | Timer 0 interrupt enable bit.  |    |     |    |     |     |     |     |
| IE.0             | EX0           | External interrupt 0 enable bit.   |    |     |    |     |     |     |     |

SU01290

**Figure 21. IE Registers**

80C51 8-bit Flash microcontroller family

P89C51RA2/RB2/RC2/RD2xx

8KB/16KB/32KB/64KB ISP/IAP Flash with 512B/512B/512B/1KB RAM

|                  |  |          |          |          |          |          |          |          |          |
|------------------|--|----------|----------|----------|----------|----------|----------|----------|----------|
|                  |  | <b>7</b> | <b>6</b> | <b>5</b> | <b>4</b> | <b>3</b> | <b>2</b> | <b>1</b> | <b>0</b> |
| <b>IP (0B8H)</b> |  | -        | PPC      | PT2      | PS       | PT1      | PX1      | PT0      | PX0      |

Priority Bit = 1 assigns high priority  
Priority Bit = 0 assigns low priority

| <b>BIT</b> | <b>SYMBOL</b> | <b>FUNCTION</b>                     |
|------------|---------------|-------------------------------------|
| IP.7       | -             | -                                   |
| IP.6       | PPC           | PCA interrupt priority bit          |
| IP.5       | PT2           | Timer 2 interrupt priority bit.     |
| IP.4       | PS            | Serial Port interrupt priority bit. |
| IP.3       | PT1           | Timer 1 interrupt priority bit.     |
| IP.2       | PX1           | External interrupt 1 priority bit.  |
| IP.1       | PT0           | Timer 0 interrupt priority bit.     |
| IP.0       | PX0           | External interrupt 0 priority bit.  |

*SU01291*

Figure 22. IP Registers

|                  |  |          |          |          |          |          |          |          |          |
|------------------|--|----------|----------|----------|----------|----------|----------|----------|----------|
|                  |  | <b>7</b> | <b>6</b> | <b>5</b> | <b>4</b> | <b>3</b> | <b>2</b> | <b>1</b> | <b>0</b> |
| <b>IPH (B7H)</b> |  | -        | PPCH     | PT2H     | PSH      | PT1H     | PX1H     | PT0H     | PX0H     |

Priority Bit = 1 assigns higher priority  
Priority Bit = 0 assigns lower priority

| <b>BIT</b> | <b>SYMBOL</b> | <b>FUNCTION</b>                          |
|------------|---------------|--|
| IPH.7      | -             | -  |
| IPH.6      | PPCH          | PCA interrupt priority bit               |
| IPH.5      | PT2H          | Timer 2 interrupt priority bit high.     |
| IPH.4      | PSH           | Serial Port interrupt priority bit high. |
| IPH.3      | PT1H          | Timer 1 interrupt priority bit high.     |
| IPH.2      | PX1H          | External interrupt 1 priority bit high.  |
| IPH.1      | PT0H          | Timer 0 interrupt priority bit high.     |
| IPH.0      | PX0H          | External interrupt 0 priority bit high.  |

*SU01292*

Figure 23. IPH Registers



# 80C51 8-bit Flash microcontroller family

# P89C51RA2/RB2/RC2/RD2xx

8KB/16KB/32KB/64KB ISP/IAP Flash with 512B/512B/512B/1KB RAM

### Reduced EMI Mode

The AO bit (AUXR.0) in the AUXR register when set disables the ALE output unless the CPU needs to perform an off-chip memory access.

### Reduced EMI Mode

#### AUXR (8EH)

|   |   |   |   |   |   |        |    |
|---|---|---|---|---|---|--------|----|
| 7 | 6 | 5 | 4 | 3 | 2 | 1      | 0  |
| - | - | - | - | - | - | EXTRAM | AO |

AUXR.1 EXTRAM  
 AUXR.0 AO

See more detailed description in Figure 38.

### Dual DPTR

The dual DPTR structure (see Figure 24) is a way by which the chip will specify the address of an external data memory location. There are two 16-bit DPTR registers that address the external memory, and a single bit called DPS = AUXR1/bit0 that allows the program code to switch between them.

- New Register Name: AUXR1#
- SFR Address: A2H
- Reset Value: xxxxxx0B

#### AUXR1 (A2H)

|   |   |        |   |     |   |   |     |
|---|---|--------|---|-----|---|---|-----|
| 7 | 6 | 5      | 4 | 3   | 2 | 1 | 0   |
| - | - | ENBOOT | - | GF2 | 0 | - | DPS |

Where:

DPS = AUXR1/bit0 = Switches between DPTR0 and DPTR1.

| Select Reg | DPS |
|------------|-----|
| DPTR0      | 0   |
| DPTR1      | 1   |

The DPS bit status should be saved by software when switching between DPTR0 and DPTR1.

The GF2 bit is a general purpose user-defined flag. Note that bit 2 is not writable and is always read as a zero. This allows the DPS bit to

be quickly toggled simply by executing an INC AUXR1 instruction without affecting the GF2 bit.

**The ENBOOT bit determines whether the BOOTROM is enabled or disabled.** This bit will automatically be set if the status byte is non zero during reset or  $\overline{PSEN}$  is pulled low, ALE floats high, and  $EA > V_{IH}$  on the falling edge of reset. Otherwise, this bit will be cleared during reset.

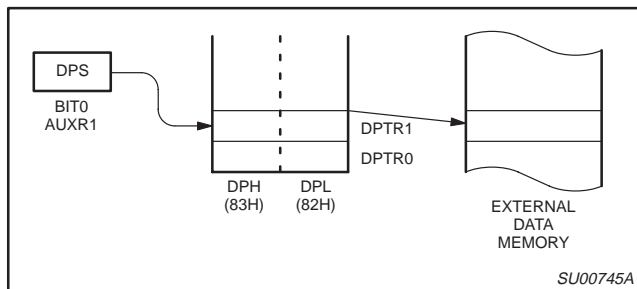


Figure 24.

### DPTR Instructions

The instructions that refer to DPTR refer to the data pointer that is currently selected using the AUXR1/bit 0 register. The six instructions that use the DPTR are as follows:

|                   |   |
|-------------------|---|
| INC DPTR          | Increments the data pointer by 1          |
| MOV DPTR, #data16 | Loads the DPTR with a 16-bit constant     |
| MOV A, @ A+DPTR   | Move code byte relative to DPTR to ACC    |
| MOVX A, @ DPTR    | Move external RAM (16-bit address) to ACC |
| MOVX @ DPTR, A    | Move ACC to external RAM (16-bit address) |
| JMP @ A + DPTR    | Jump indirect relative to DPTR            |

The data pointer can be accessed on a byte-by-byte basis by specifying the low or high byte in an instruction which accesses the SFRs. See *Application Note AN458* for more details.

# 80C51 8-bit Flash microcontroller family

# P89C51RA2/RB2/RC2/RD2xx

8KB/16KB/32KB/64KB ISP/IAP Flash with 512B/512B/512B/1KB RAM

## Programmable Counter Array (PCA)

The Programmable Counter Array available on the P89C51RA2/RB2/RC2/RD2xx is a special 16-bit Timer that has five 16-bit capture/compare modules associated with it. Each of the modules can be programmed to operate in one of four modes: rising and/or falling edge capture, software timer, high-speed output, or pulse width modulator. Each module has a pin associated with it in port 1. Module 0 is connected to P1.3 (CEX0), module 1 to P1.4 (CEX1), etc. The basic PCA configuration is shown in Figure 25.

The PCA timer is a common time base for all five modules and can be programmed to run at: 1/6 the oscillator frequency, 1/2 the oscillator frequency, the Timer 0 overflow, or the input on the ECI pin (P1.2). The timer count source is determined from the CPS1 and CPS0 bits in the CMOD SFR as follows (see Figure 28):

| CPS1 | CPS0 | PCA Timer Count Source  |
|------|------|---|
| 0    | 0    | 1/6 oscillator frequency (6-clock mode);<br>1/12 oscillator frequency (12-clock mode) |
| 0    | 1    | 1/2 oscillator frequency (6-clock mode);<br>1/4 oscillator frequency (12-clock mode)  |
| 1    | 0    | Timer 0 overflow  |
| 1    | 1    | External Input at ECI pin   |

In the CMOD SFR are three additional bits associated with the PCA. They are CIDL which allows the PCA to stop during idle mode, WDTE which enables or disables the watchdog function on module 4, and ECF which when set causes an interrupt and the PCA overflow flag CF (in the CCON SFR) to be set when the PCA timer overflows. These functions are shown in Figure 26.

The watchdog timer function is implemented in module 4 (see Figure 35).

The CCON SFR contains the run control bit for the PCA and the flags for the PCA timer (CF) and each module (refer to Figure 29). To run the PCA the CR bit (CCON.6) must be set by software. The PCA is shut off by clearing this bit. The CF bit (CCON.7) is set when

the PCA counter overflows and an interrupt will be generated if the ECF bit in the CMOD register is set, The CF bit can only be cleared by software. Bits 0 through 4 of the CCON register are the flags for the modules (bit 0 for module 0, bit 1 for module 1, etc.) and are set by hardware when either a match or a capture occurs. These flags also can only be cleared by software. The PCA interrupt system shown in Figure 27.

Each module in the PCA has a special function register associated with it. These registers are: CCAPM0 for module 0, CCAPM1 for module 1, etc. (see Figure 30). The registers contain the bits that control the mode that each module will operate in. The ECCF bit (CCAPMn.0 where n=0, 1, 2, 3, or 4 depending on the module) enables the CCF flag in the CCON SFR to generate an interrupt when a match or compare occurs in the associated module. PWM (CCAPMn.1) enables the pulse width modulation mode. The TOG bit (CCAPMn.2) when set causes the CEX output associated with the module to toggle when there is a match between the PCA counter and the module's capture/compare register. The match bit MAT (CCAPMn.3) when set will cause the CCFn bit in the CCON register to be set when there is a match between the PCA counter and the module's capture/compare register.

The next two bits CAPN (CCAPMn.4) and CAPP (CCAPMn.5) determine the edge that a capture input will be active on. The CAPN bit enables the negative edge, and the CAPP bit enables the positive edge. If both bits are set both edges will be enabled and a capture will occur for either transition. The last bit in the register ECOM (CCAPMn.6) when set enables the comparator function. Figure 31 shows the CCAPMn settings for the various PCA functions.

There are two additional registers associated with each of the PCA modules. They are CCAPnH and CCAPnL and these are the registers that store the 16-bit count when a capture occurs or a compare should occur. When a module is used in the PWM mode these registers are used to control the duty cycle of the output.

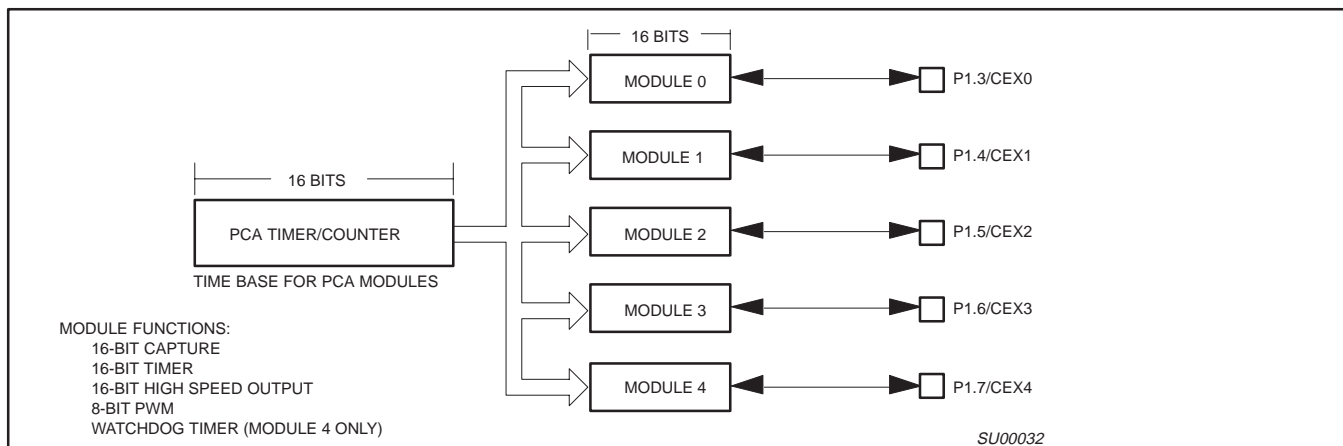


Figure 25. Programmable Counter Array (PCA)

80C51 8-bit Flash microcontroller family

P89C51RA2/RB2/RC2/RD2xx

8KB/16KB/32KB/64KB ISP/IAP Flash with 512B/512B/512B/1KB RAM

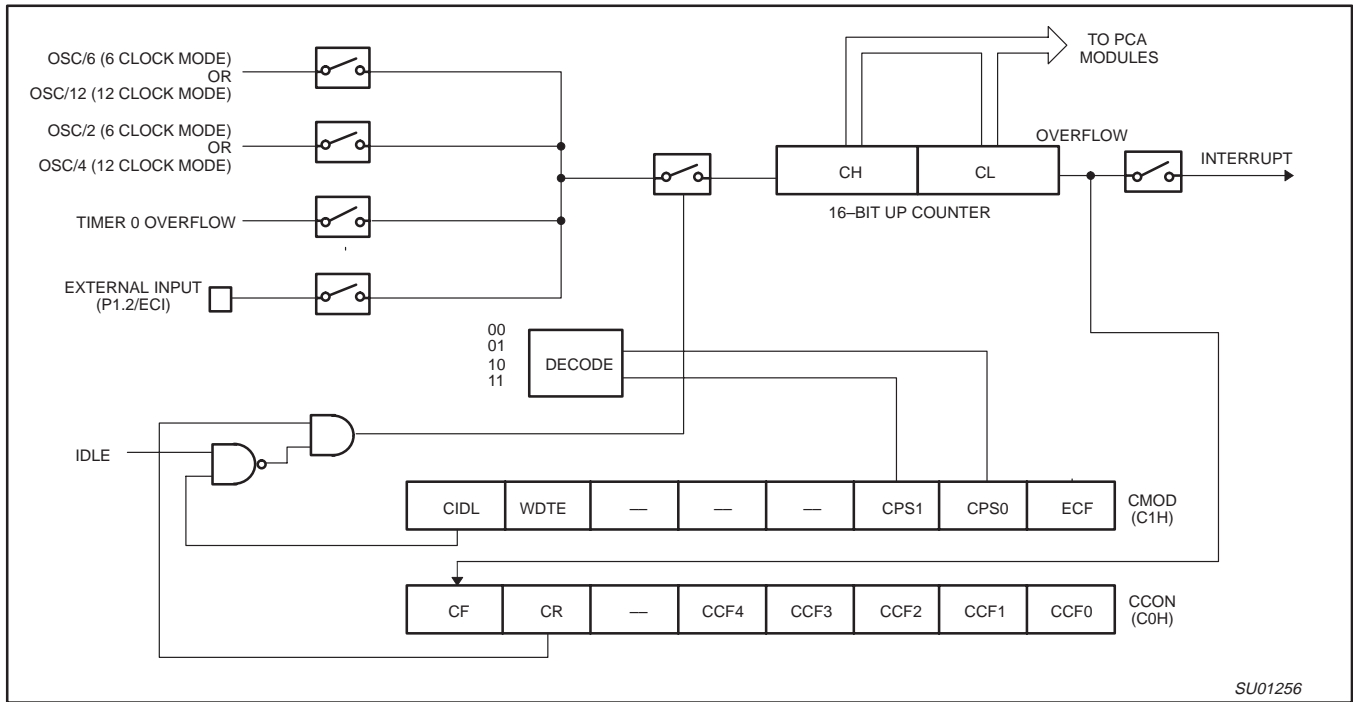


Figure 26. PCA Timer/Counter

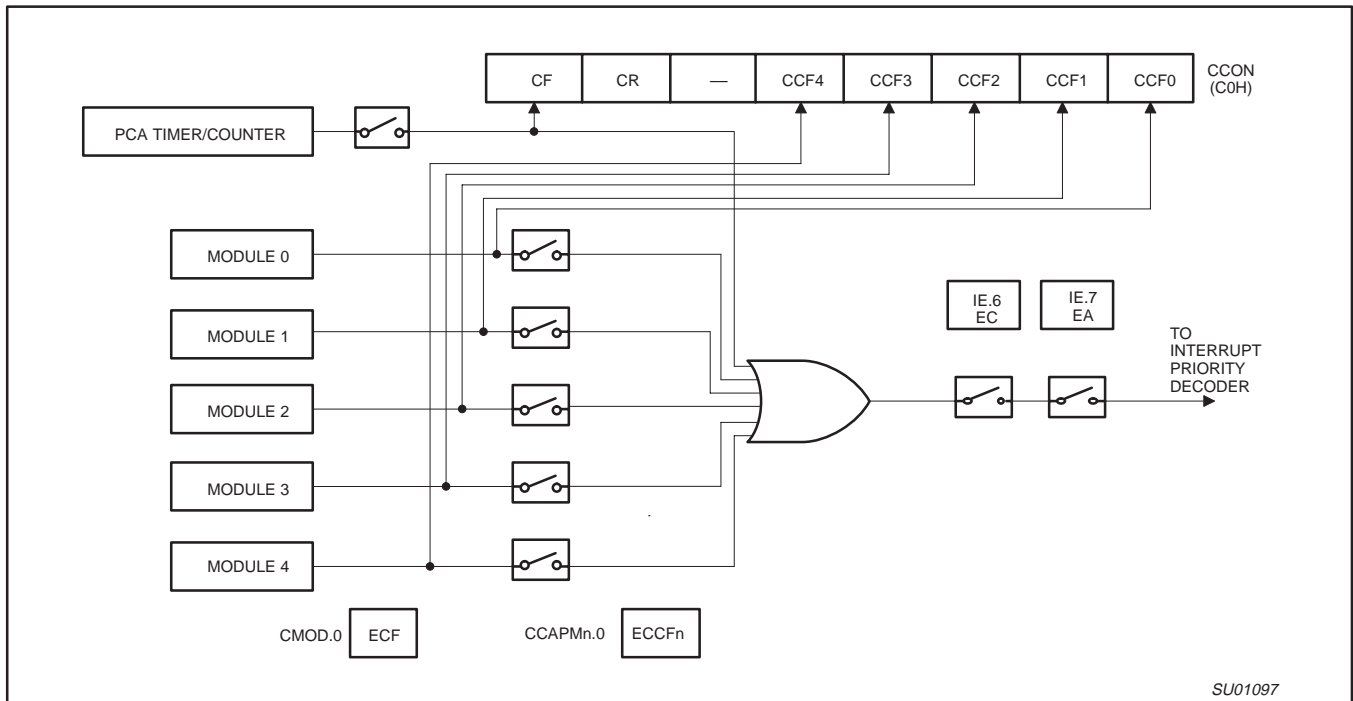


Figure 27. PCA Interrupt System

# 80C51 8-bit Flash microcontroller family

# P89C51RA2/RB2/RC2/RD2xx

8KB/16KB/32KB/64KB ISP/IAP Flash with 512B/512B/512B/1KB RAM

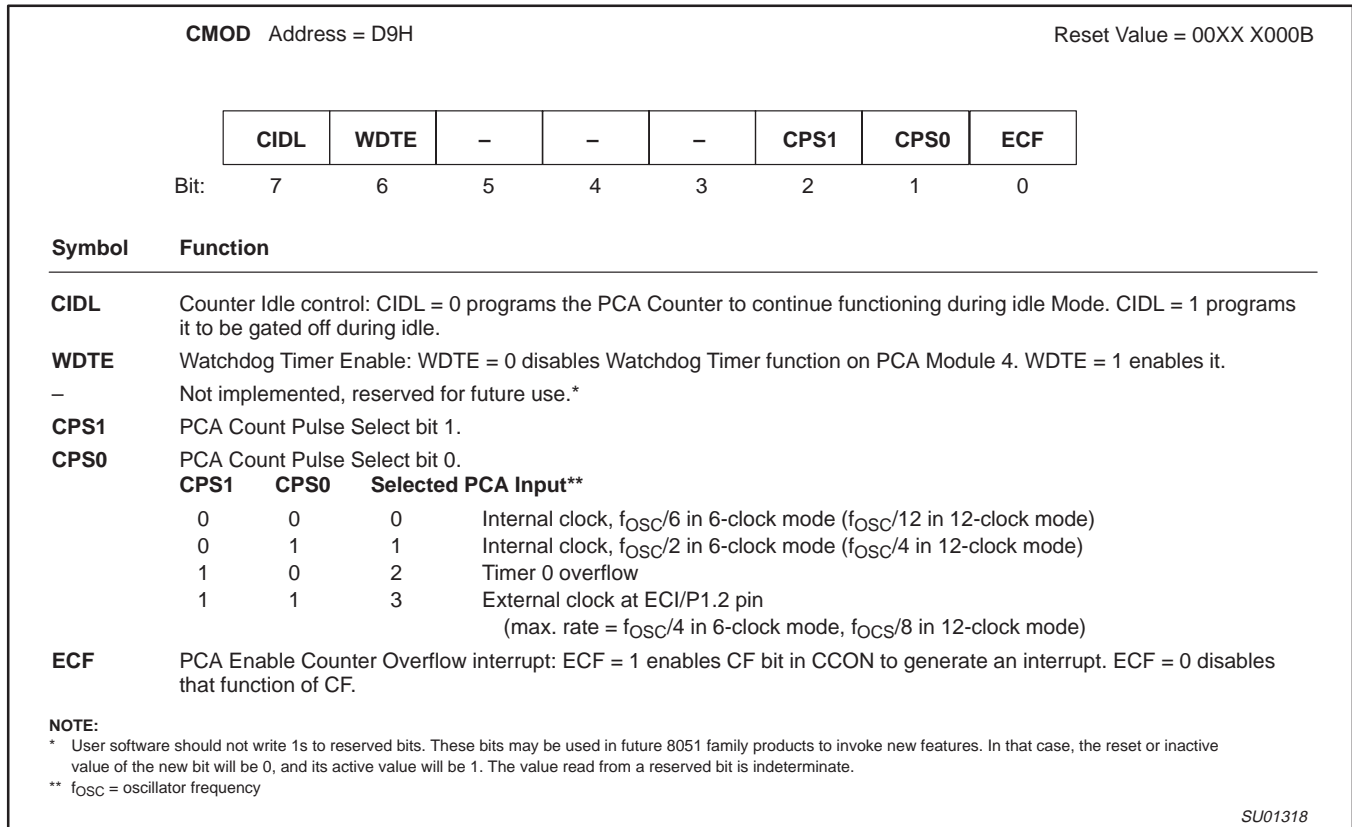


Figure 28. CMOD: PCA Counter Mode Register

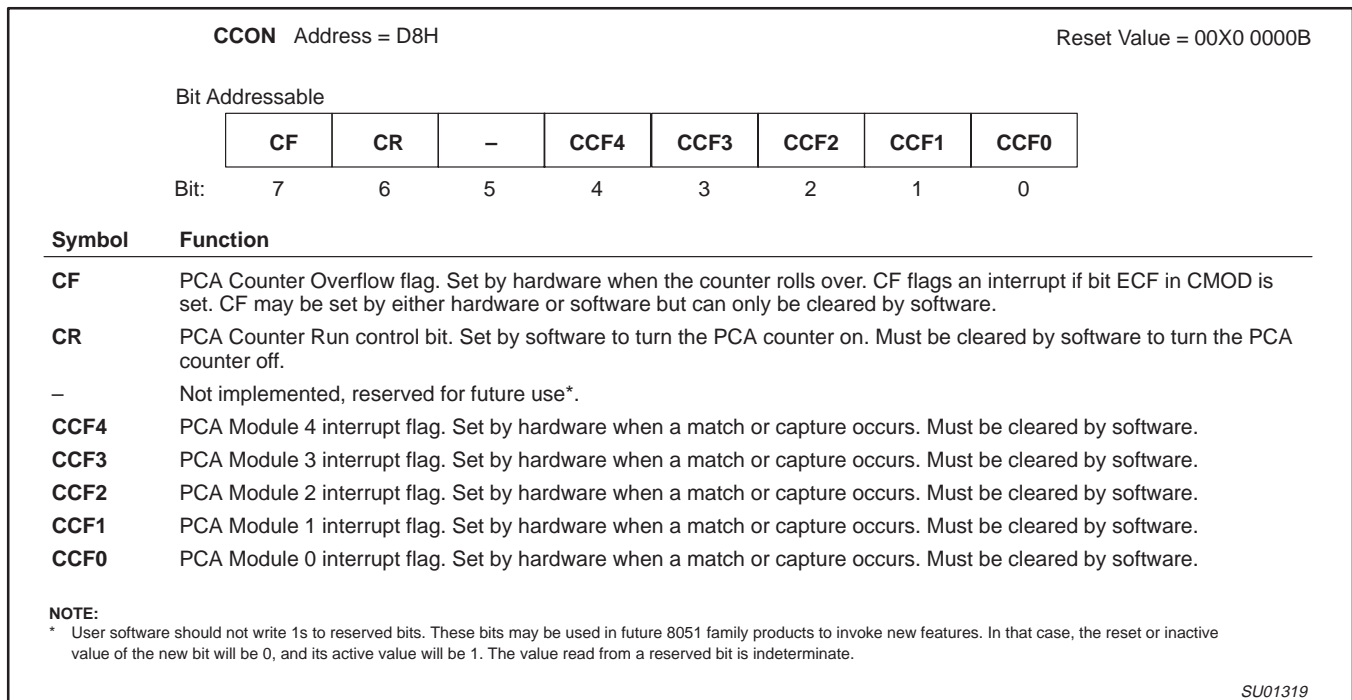


Figure 29. CCON: PCA Counter Control Register

# 80C51 8-bit Flash microcontroller family

# P89C51RA2/RB2/RC2/RD2xx

8KB/16KB/32KB/64KB ISP/IAP Flash with 512B/512B/512B/1KB RAM

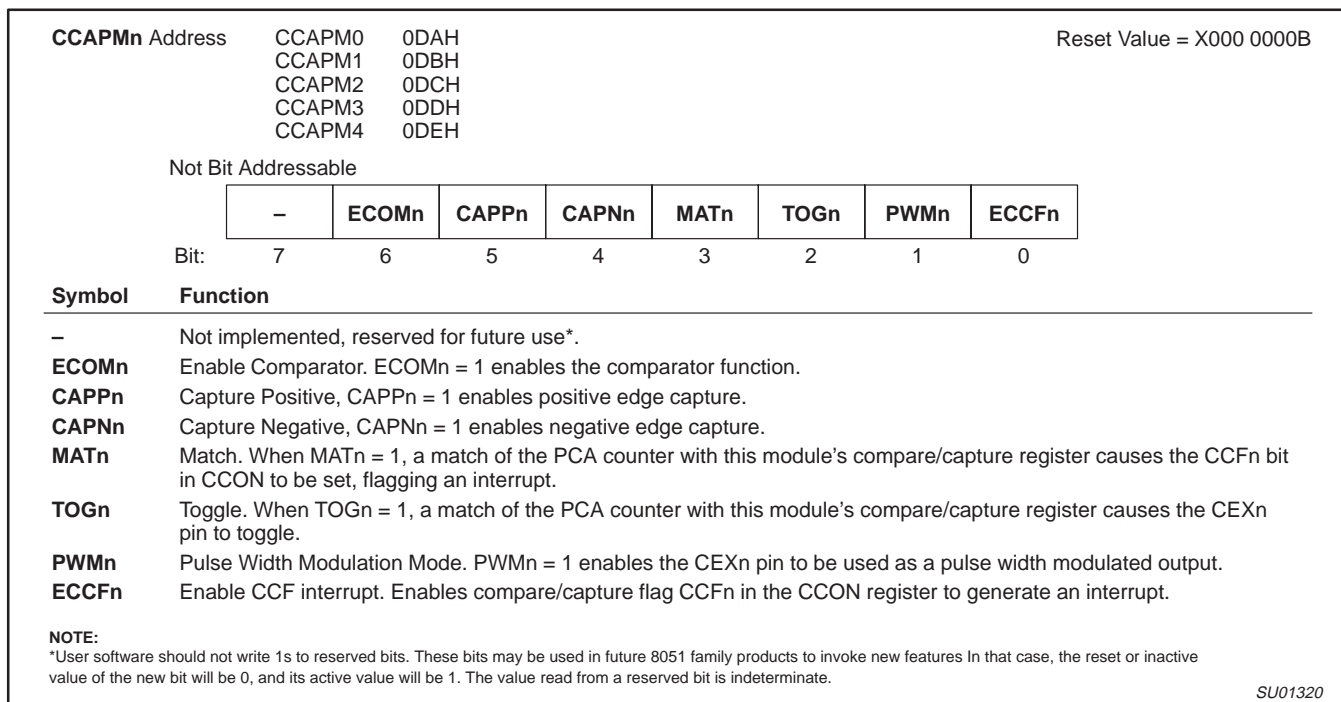


Figure 30. CCAPMn: PCA Modules Compare/Capture Registers

| – | ECOMn | CAPPn | CAPNn | MATn | TOGn | PWMn | ECCFn | MODULE FUNCTION                                   |
|---|-------|-------|-------|------|------|------|-------|---|
| X | 0     | 0     | 0     | 0    | 0    | 0    | 0     | No operation                                      |
| X | X     | 1     | 0     | 0    | 0    | 0    | X     | 16-bit capture by a positive-edge trigger on CEXn |
| X | X     | 0     | 1     | 0    | 0    | 0    | X     | 16-bit capture by a negative trigger on CEXn      |
| X | X     | 1     | 1     | 0    | 0    | 0    | X     | 16-bit capture by a transition on CEXn            |
| X | 1     | 0     | 0     | 1    | 0    | 0    | X     | 16-bit Software Timer                             |
| X | 1     | 0     | 0     | 1    | 1    | 0    | X     | 16-bit High Speed Output                          |
| X | 1     | 0     | 0     | 0    | 0    | 1    | 0     | 8-bit PWM   |
| X | 1     | 0     | 0     | 1    | X    | 0    | X     | Watchdog Timer                                    |

Figure 31. PCA Module Modes (CCAPMn Register)

### PCA Capture Mode

To use one of the PCA modules in the capture mode either one or both of the CCAPM bits CAPN and CAPP for that module must be set. The external CEX input for the module (on port 1) is sampled for a transition. When a valid transition occurs the PCA hardware loads the value of the PCA counter registers (CH and CL) into the module's capture registers (CCAPnL and CCAPnH). If the CCFn bit for the module in the CCON SFR and the ECCFn bit in the CCAPMn SFR are set then an interrupt will be generated. Refer to Figure 32.

### 16-bit Software Timer Mode

The PCA modules can be used as software timers by setting both the ECOM and MAT bits in the modules CCAPMn register. The PCA timer will be compared to the module's capture registers and when a match occurs an interrupt will occur if the CCFn (CCON SFR) and the ECCFn (CCAPMn SFR) bits for the module are both set (see Figure 33).

### High Speed Output Mode

In this mode the CEX output (on port 1) associated with the PCA module will toggle each time a match occurs between the PCA

counter and the module's capture registers. To activate this mode the TOG, MAT, and ECOM bits in the module's CCAPMn SFR must be set (see Figure 34).

### Pulse Width Modulator Mode

All of the PCA modules can be used as PWM outputs. Figure 35 shows the PWM function. The frequency of the output depends on the source for the PCA timer. All of the modules will have the same frequency of output because they all share the PCA timer. The duty cycle of each module is independently variable using the module's capture register CCAPLn. When the value of the PCA CL SFR is less than the value in the module's CCAPLn SFR the output will be low, when it is equal to or greater than the output will be high. When CL overflows from FF to 00, CCAPLn is reloaded with the value in CCAPHn. This allows updating the PWM without glitches. The PWM and ECOM bits in the module's CCAPMn register must be set to enable the PWM mode.

80C51 8-bit Flash microcontroller family

P89C51RA2/RB2/RC2/RD2xx

8KB/16KB/32KB/64KB ISP/IAP Flash with 512B/512B/512B/1KB RAM

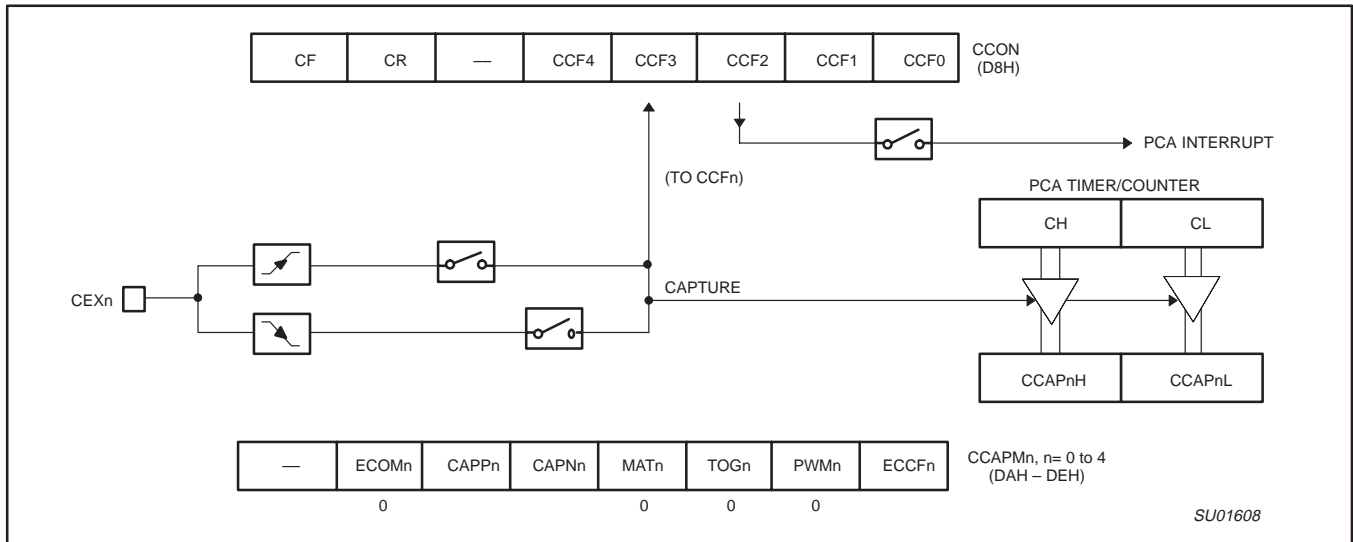


Figure 32. PCA Capture Mode

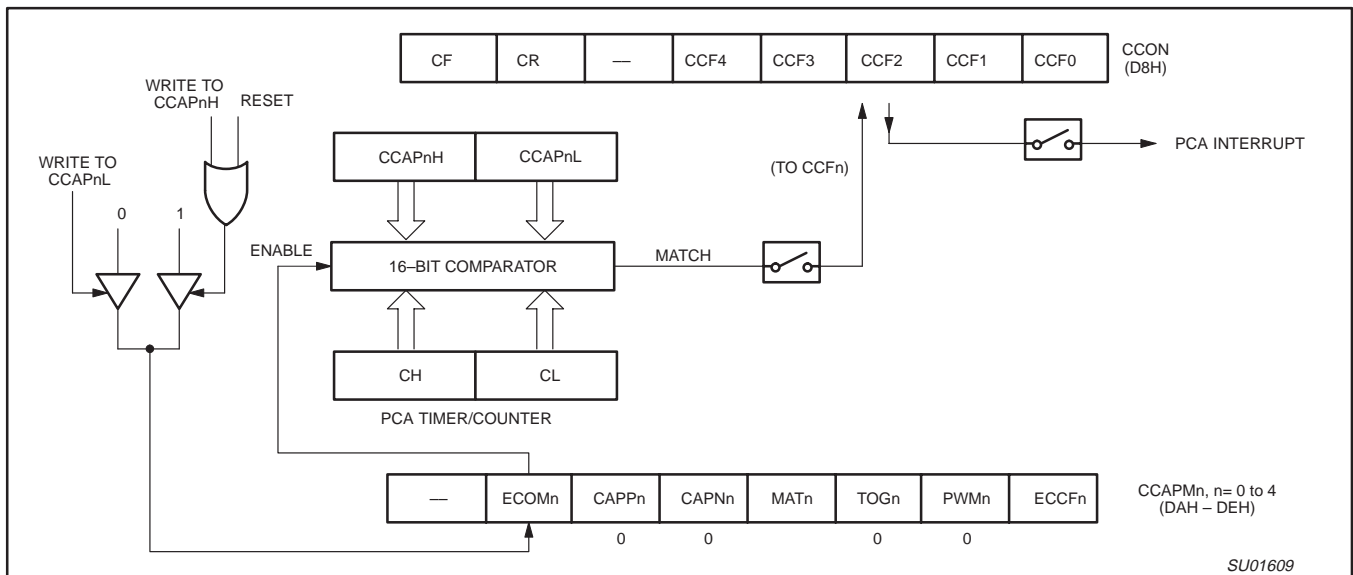


Figure 33. PCA Compare Mode

80C51 8-bit Flash microcontroller family

P89C51RA2/RB2/RC2/RD2xx

8KB/16KB/32KB/64KB ISP/IAP Flash with 512B/512B/512B/1KB RAM

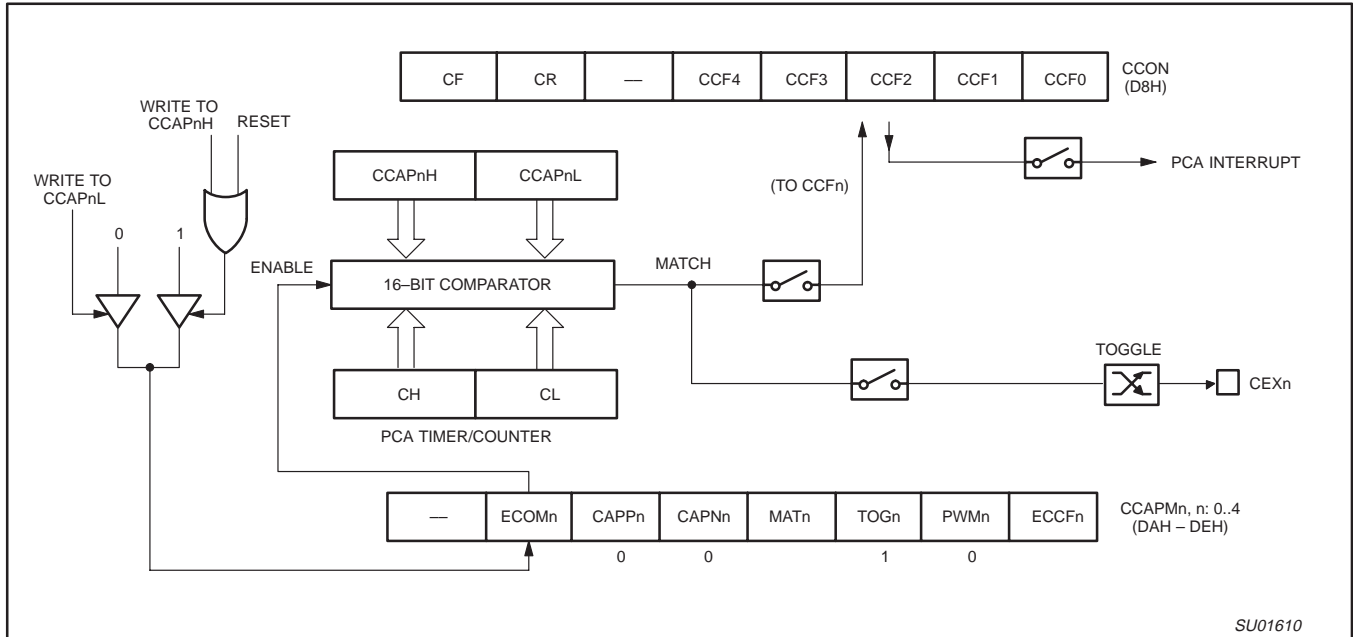


Figure 34. PCA High Speed Output Mode

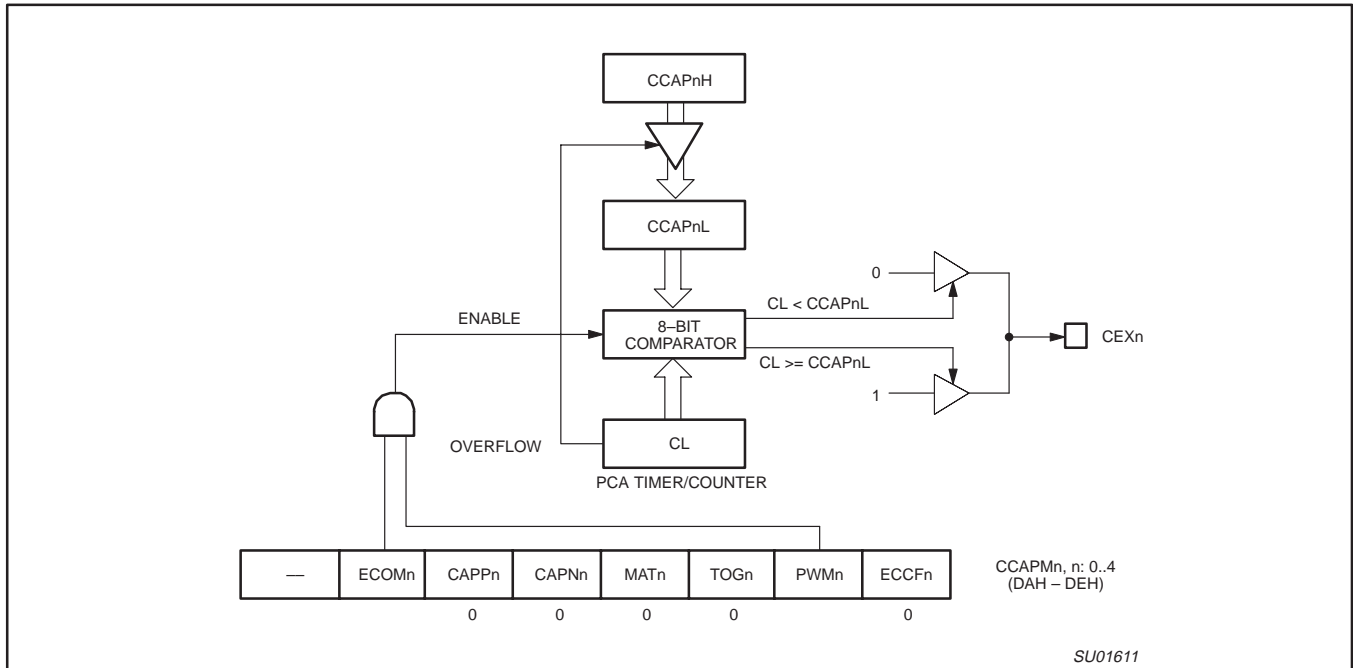
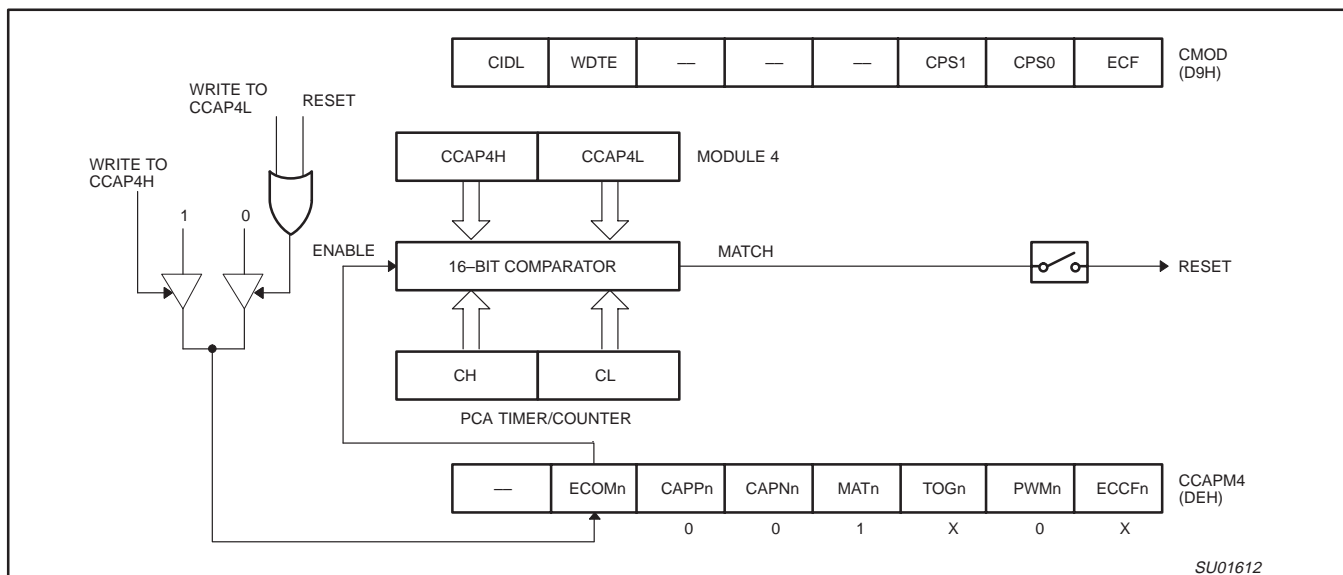


Figure 35. PCA PWM Mode

# 80C51 8-bit Flash microcontroller family

# P89C51RA2/RB2/RC2/RD2xx

8KB/16KB/32KB/64KB ISP/IAP Flash with 512B/512B/512B/1KB RAM



**Figure 36. PCA Watchdog Timer mode (Module 4 only)**

### PCA Watchdog Timer

An on-board watchdog timer is available with the PCA to improve the reliability of the system without increasing chip count. Watchdog timers are useful for systems that are susceptible to noise, power glitches, or electrostatic discharge. Module 4 is the only PCA module that can be programmed as a watchdog. However, this module can still be used for other modes if the watchdog is not needed.

Figure 36 shows a diagram of how the watchdog works. The user pre-loads a 16-bit value in the compare registers. Just like the other compare modes, this 16-bit value is compared to the PCA timer value. If a match is allowed to occur, an internal reset will be generated. This will not cause the RST pin to be driven high.

In order to hold off the reset, the user has three options:

1. periodically change the compare value so it will never match the PCA timer,
2. periodically change the PCA timer value so it will never match the compare values, or
3. disable the watchdog by clearing the WDTE bit before a match occurs and then re-enable it.

The first two options are more reliable because the watchdog timer is never disabled as in option #3. If the program counter ever goes astray, a match will eventually occur and cause an internal reset. The second option is also not recommended if other PCA modules are being used. Remember, the PCA timer is the time base for **all** modules; changing the time base for other modules would not be a good idea. Thus, in most applications the first solution is the best option.

Figure 37 shows the code for initializing the watchdog timer. Module 4 can be configured in either compare mode, and the WDTE bit in CMOD must also be set. The user's software then must periodically change (CCAP4H,CCAP4L) to keep a match from occurring with the PCA timer (CH,CL). This code is given in the WATCHDOG routine in Figure 37.

This routine should not be part of an interrupt service routine, because if the program counter goes astray and gets stuck in an infinite loop, interrupts will still be serviced and the watchdog will keep getting reset. Thus, the purpose of the watchdog would be defeated. Instead, call this subroutine from the main program within  $2^{16}$  count of the PCA timer.



## 80C51 8-bit Flash microcontroller family

P89C51RA2/RB2/RC2/RD2xx

8KB/16KB/32KB/64KB ISP/IAP Flash with 512B/512B/512B/1KB RAM

```
INIT_WATCHDOG:
    MOV CCAPM4, #4CH           ; Module 4 in compare mode
    MOV CCAP4L, #0FFH         ; Write to low byte first
    MOV CCAP4H, #0FFH         ; Before PCA timer counts up to
                                ; FFFF Hex, these compare values
                                ; must be changed
    ORL CMOD, #40H           ; Set the WDTE bit to enable the
                                ; watchdog timer without changing
                                ; the other bits in CMOD
;
;*****
;
; Main program goes here, but CALL WATCHDOG periodically.
;
;*****
;
WATCHDOG:
    CLR EA                   ; Hold off interrupts
    MOV CCAP4L, #00          ; Next compare value is within
    MOV CCAP4H, CH           ; 255 counts of the current PCA
    SETB EA                  ; timer value
    RET
```

Figure 37. PCA Watchdog Timer Initialization Code

# 80C51 8-bit Flash microcontroller family

# P89C51RA2/RB2/RC2/RD2xx

8KB/16KB/32KB/64KB ISP/IAP Flash with 512B/512B/512B/1KB RAM

## Expanded Data RAM Addressing

The P89C51RA2/RB2/RC2/RD2xx has internal data memory that is mapped into four separate segments: the lower 128 bytes of RAM, upper 128 bytes of RAM, 128 bytes Special Function Register (SFR), and 256 bytes expanded RAM (ERAM) (768 bytes for the RD2xx).

The four segments are:

1. The Lower 128 bytes of RAM (addresses 00H to 7FH) are directly and indirectly addressable.
2. The Upper 128 bytes of RAM (addresses 80H to FFH) are indirectly addressable only.
3. The Special Function Registers, SFRs, (addresses 80H to FFH) are directly addressable only.
4. The 256/768-bytes expanded RAM (ERAM, 00H – 1FFH/2FFH) are indirectly accessed by move external instruction, MOVX, and with the EXTRAM bit cleared, see Figure 38.

The Lower 128 bytes can be accessed by either direct or indirect addressing. The Upper 128 bytes can be accessed by indirect addressing only. The Upper 128 bytes occupy the same address space as the SFR. That means they have the same address, but are physically separate from SFR space.

When an instruction accesses an internal location above address 7FH, the CPU knows whether the access is to the upper 128 bytes of data RAM or to SFR space by the addressing mode used in the instruction. Instructions that use direct addressing access SFR space. For example:

```
MOV 0A0H,#data
```

accesses the SFR at location 0A0H (which is P2). Instructions that use indirect addressing access the Upper 128 bytes of data RAM.

For example:

```
MOV @R0,acc
```

where R0 contains 0A0H, accesses the data byte at address 0A0H, rather than P2 (whose address is 0A0H).

The ERAM can be accessed by indirect addressing, with EXTRAM bit cleared and MOVX instructions. This part of memory is physically located on-chip, logically occupies the first 256/768 bytes of external data memory in the P89C51RA2/RB2/RC2/89C51RD2.

With EXTRAM = 0, the ERAM is indirectly addressed, using the MOVX instruction in combination with any of the registers R0, R1 of the selected bank or DPTR. An access to ERAM will not affect ports P0, P3.6 (WR#) and P3.7 (RD#). P2 SFR is output during external addressing. For example, with EXTRAM = 0,

```
MOVX @R0,acc
```

where R0 contains 0A0H, accesses the ERAM at address 0A0H rather than external memory. An access to external data memory locations higher than the ERAM will be performed with the MOVX DPTR instructions in the same way as in the standard 80C51, so with P0 and P2 as data/address bus, and P3.6 and P3.7 as write and read timing signals. Refer to Figure 39.

With EXTRAM = 1, MOVX @Ri and MOVX @DPTR will be similar to the standard 80C51. MOVX @ Ri will provide an 8-bit address multiplexed with data on Port 0 and any output port pins can be used to output higher order address bits. This is to provide the external paging capability. MOVX @DPTR will generate a 16-bit address. Port 2 outputs the high-order eight address bits (the contents of DPH) while Port 0 multiplexes the low-order eight address bits (DPL) with data. MOVX @Ri and MOVX @DPTR will generate either read or write signals on P3.6 (WR) and P3.7 (RD).

The stack pointer (SP) may be located anywhere in the 256 bytes RAM (lower and upper RAM) internal data memory. The stack may not be located in the ERAM.

|   |   |                          |   |   |   |               |           |               |           |  |
|---|---|--------------------------|---|---|---|---------------|-----------|---------------|-----------|--|
| <b>AUXR</b>   | Address = 8EH   | Reset Value = xxxx xx00B |   |   |   |               |           |               |           |  |
|   | Not Bit Addressable   |                          |   |   |   |               |           |               |           |  |
|   | <table border="1" style="margin: auto; border-collapse: collapse;"> <tr> <td style="width: 20px; height: 20px; text-align: center;">—</td> <td style="width: 20px; height: 20px; text-align: center;">—</td> <td style="width: 20px; height: 20px; text-align: center;">—</td> <td style="width: 20px; height: 20px; text-align: center;">—</td> <td style="width: 20px; height: 20px; text-align: center;">—</td> <td style="width: 20px; height: 20px; text-align: center;">—</td> <td style="width: 20px; height: 20px; text-align: center;"><b>EXTRAM</b></td> <td style="width: 20px; height: 20px; text-align: center;"><b>AO</b></td> </tr> </table> | —                        | — | — | — | —             | —         | <b>EXTRAM</b> | <b>AO</b> |  |
| —   | —   | —                        | — | — | — | <b>EXTRAM</b> | <b>AO</b> |               |           |  |
|   | Bit: 7      6      5      4      3      2      1      0   |                          |   |   |   |               |           |               |           |  |
| <b>Symbol</b>   | <b>Function</b>   |                          |   |   |   |               |           |               |           |  |
| <b>AO</b>   | Disable/Enable ALE  |                          |   |   |   |               |           |               |           |  |
|   | <b>AO      Operating Mode</b>   |                          |   |   |   |               |           |               |           |  |
|   | 0      ALE is emitted at a constant rate of $1/6$ the oscillator frequency (12-clock mode; $1/3 f_{OSC}$ in 6-clock mode).  |                          |   |   |   |               |           |               |           |  |
|   | 1      ALE is active only during off-chip memory access.  |                          |   |   |   |               |           |               |           |  |
| <b>EXTRAM</b>   | Internal/External RAM access using MOVX @Ri/@DPTR   |                          |   |   |   |               |           |               |           |  |
|   | <b>EXTRAM      Operating Mode</b>   |                          |   |   |   |               |           |               |           |  |
|   | 0      Internal ERAM access using MOVX @Ri/@DPTR  |                          |   |   |   |               |           |               |           |  |
|   | 1      External data memory access.   |                          |   |   |   |               |           |               |           |  |
| —   | Not implemented, reserved for future use*.  |                          |   |   |   |               |           |               |           |  |
| <b>NOTE:</b>  |   |                          |   |   |   |               |           |               |           |  |
| *User software should not write 1s to reserved bits. These bits may be used in future 8051 family products to invoke new features. In that case, the reset or inactive value of the new bit will be 0, and its active value will be 1. The value read from a reserved bit is indeterminate. |   |                          |   |   |   |               |           |               |           |  |

SU01613

Figure 38. AUXR: Auxiliary Register

# 80C51 8-bit Flash microcontroller family

# P89C51RA2/RB2/RC2/RD2xx

8KB/16KB/32KB/64KB ISP/IAP Flash with 512B/512B/512B/1KB RAM

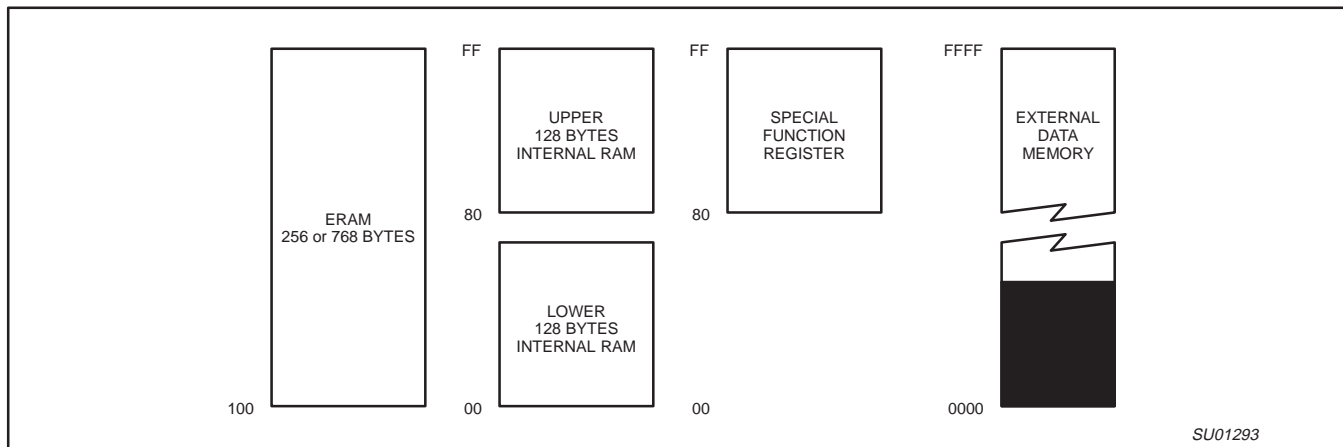


Figure 39. Internal and External Data Memory Address Space with EXTRAM = 0

## HARDWARE WATCHDOG TIMER (ONE-TIME ENABLED WITH RESET-OUT FOR P89C51RA2/RB2/RC2/RD2xx)

The WDT is intended as a recovery method in situations where the CPU may be subjected to software upset. The WDT consists of a 14-bit counter and the WatchDog Timer reset (WDTRST) SFR. The WDT is disabled at reset. To enable the WDT, the user must write 01EH and 0E1H in sequence to the WDTRST, SFR location 0A6H. When the WDT is enabled, it will increment every machine cycle while the oscillator is running and there is no way to disable the WDT except through reset (either hardware reset or WDT overflow reset). When the WDT overflows, it will drive an output reset HIGH pulse at the RST-pin (see the note below).

## Using the WDT

To enable the WDT, the user must write 01EH and 0E1H in sequence to the WDTRST, SFR location 0A6H. When the WDT is enabled, the user needs to service it by writing 01EH and 0E1H to WDTRST to avoid a WDT overflow. The 14-bit counter overflows when it reaches 16383 (3FFFH) and this will reset the device. When the WDT is enabled, it will increment every machine cycle while the oscillator is running. This means the user must reset the WDT at least every 16383 machine cycles. To reset the WDT, the user must write 01EH and 0E1H to WDTRST. WDTRST is a write only register. The WDT counter cannot be read or written. When the WDT overflows, it will generate an output RESET pulse at the reset pin (see note below). The RESET pulse duration is  $98 \times T_{OSC}$  (6-clock mode; 196 in 12-clock mode), where  $T_{OSC} = 1/f_{OSC}$ . To make the best use of the WDT, it should be serviced in those sections of code that will periodically be executed within the time required to prevent a WDT reset.

## 80C51 8-bit Flash microcontroller family

## P89C51RA2/RB2/RC2/RD2xx

8KB/16KB/32KB/64KB ISP/IAP Flash with 512B/512B/512B/1KB RAM

### FLASH EPROM MEMORY

#### GENERAL DESCRIPTION

The P89C51RA2/RB2/RC2/RD2xx Flash memory augments EPROM functionality with in-circuit electrical erasure and programming. The Flash can be read and written as bytes. The Chip Erase operation will erase the entire program memory. The Block Erase function can erase any Flash block. In-system programming and standard parallel programming are both available. On-chip erase and write timing generation contribute to a user friendly programming interface.

The P89C51RA2/RB2/RC2/RD2xx Flash reliably stores memory contents even after 10,000 erase and program cycles. The cell is designed to optimize the erase and programming mechanisms. In addition, the combination of advanced tunnel oxide processing and low internal electric fields for erase and programming operations produces reliable cycling. The P89C51RA2/RB2/RC2/RD2xx uses a +5 V  $V_{PP}$  supply to perform the Program/Erase algorithms.

#### FEATURES – IN-SYSTEM PROGRAMMING (ISP) AND IN-APPLICATION PROGRAMMING (IAP)

- Flash EPROM internal program memory with Block Erase.
- Internal 1-kbyte fixed BootROM, containing low-level in-system programming routines and a default serial loader. User program can call these routines to perform In-Application Programming (IAP). The BootROM can be turned off to provide access to the full 64-kbyte Flash memory.
- Boot Vector allows user provided Flash loader code to reside anywhere in the Flash memory space. This configuration provides flexibility to the user.
- Default loader in BootROM allows programming via the serial port without the need for a user provided loader.
- Up to 64-kbyte external program memory if the internal program memory is disabled ( $\overline{EA} = 0$ ).
- Programming and erase voltage +5 V (+12 V tolerant).
- Read/Programming/Erase using ISP/IAP:
  - Byte Programming (8  $\mu$ s).
  - Typical quick erase times:
    - Block Erase (4 kbyte) in 3 seconds.
    - Full Chip Erase:
      - RD2xx (64K) in 11 seconds
      - RC2 (32K) in 7 seconds
      - RB2 (16K) in 5 seconds
      - RA2 (4K) in 4 seconds
- Parallel programming with 87C51 compatible hardware interface to programmer.
- In-system programming (ISP).
- In-application programming (IAP).
- Programmable security for the code in the Flash.
- 10,000 minimum erase/program cycles for each byte.
- 10-year minimum data retention.

### FLASH PROGRAMMING AND ERASURE

In general, there are three methods of erasing or programming of the Flash memory that may be used. First, the Flash may be programmed or erased in the end-user application by calling low-level routines through entry point in the BootROM. The end-user application, though, must be executing code from a different block than the block that is being erased or programmed. Second, the on-chip ISP boot loader may be invoked. This ISP boot loader will, in turn, call low-level routines through the common entry point in the BootROM that can be used by end-user applications. Third, the Flash may be programmed or erased using parallel method by using a commercially available EPROM programmer. The parallel programming method used by these devices is similar to that used by EPROM 87C51, but it is not identical, and the commercially available programmer will need to have support for these devices.

### FLASH MEMORY SPACES

#### Flash User Code Memory Organization

The P89C51RA2/RB2/RC2/RD2xx contains 8KB/16KB/32KB/64KB Flash user code program memory organized into 4-kbyte blocks. ISP and IAP BootROM routines will support the new 4-kbyte block sizes through additional block number assignments while maintaining compatibility with previous 8-kbyte and 16-kbyte block assignments. This memory space is programmable via IAP, ISP, and parallel modes.

#### Status Byte/Boot Vector Block

This device includes a 4-kbyte block which contains the Status Byte and Boot Vector (Status Byte Block). The Status Byte and Boot Vector are programmable via IAP, ISP, and parallel modes. Note that erasing of either the Status Byte and Boot Vector will erase the entire contents of this block. Thus the Status Byte and Boot Vector are erased together but are programmable separately.

#### Security & User Configuration Block

This device includes a 4-kbyte block (Security Block) which contains the Security Bits, the 6-clock/12-clock Flash-based clock mode bit FX2, and 4095 user programmable bytes. This block is programmable via IAP, ISP, and parallel modes. Security bits will prevent, as required, parallel programmers from reading or writing, however, IAP or ISP inhibitions will be software controlled. This block may only be erased using full-chip erase functions in ISP, IAP, or parallel mode. This security feature protects against software piracy and prevents the contents of the Flash from being read. The Security bits are located in the Flash. There are three programmable security bits that will provide different levels of protection for the on-chip code and data (See Table 11). The 4095 user programmable bytes are not part of user code memory are intended to be programmed or read through IAP, ISP, or parallel programmer functions.

The 6-clock/12-clock Flash-based clock mode bit FX2 will be latched at power-on. This allows the bit to be changed via IAP or ISP and delay taking effect until the next reset. This avoids changing baud rates during ISP operations.

#### Boot ROM

When the microcontroller programs its Flash memory, all of the low level details are handled by code that is contained in a 1-kbyte

# 80C51 8-bit Flash microcontroller family

# P89C51RA2/RB2/RC2/RD2xx

8KB/16KB/32KB/64KB ISP/IAP Flash with 512B/512B/512B/1KB RAM

BootROM that is shadowed over a portion of the user code memory space. A user program simply calls the common entry point with appropriate parameters in the BootROM to accomplish the desired operation. BootROM operations include: erase block, program byte, verify byte, program security bit, etc. The BootROM overlays the program memory space at the top of the address space from FC00 to FFFF hex, when it is enabled. The BootROM may be turned off so that the upper 1 kbyte of user program memory is accessible for execution.

### Clock Mode

The clock mode feature sets operating frequency to be 1/12 or 1/6 of the oscillator frequency. The clock mode configuration bit, FX2, is located in the Security Block (See Table 8). FX2, when programmed, will override the SFR clock mode bit (X2) in the CKCON register. If FX2 is erased, then the SFR bit (X2) may be used to select between 6-clock and 12-clock mode.

**Table 8.**

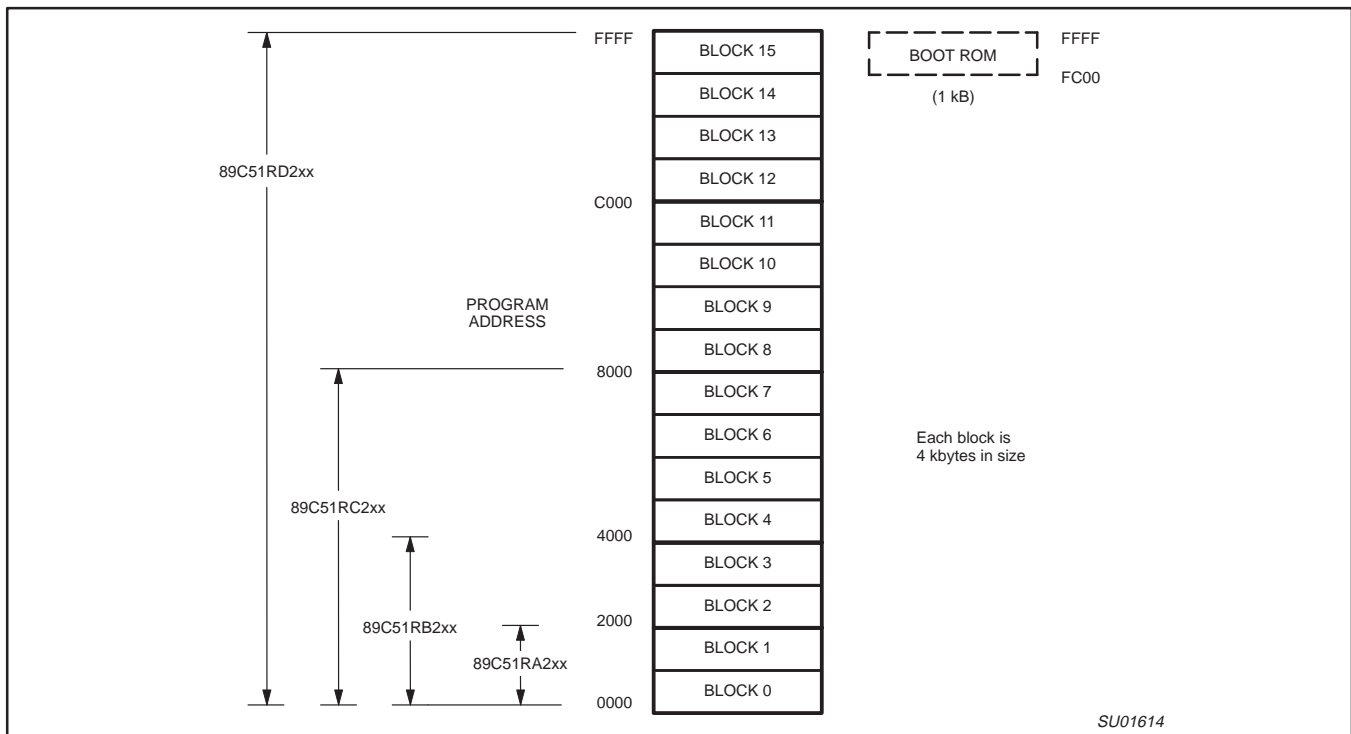
| CLOCK MODE CONFIG BIT (FX2) | X2 bit in CKCON | DESCRIPTION             |
|-----------------------------|-----------------|-------------------------|
| erased                      | 0               | 12-clock mode (default) |
| erased                      | 1               | 6-clock mode            |
| programmed                  | x               | 6-clock mode            |

**NOTE:**

1. Default clock mode after ChipErase is set to SFR selection.

## FLASH MEMORY SPACES

### Flash User Code Memory Organization



**Figure 40. Flash Memory Configurations**

### Power-On Reset Code Execution

The P89C51RA2/RB2/RC2/RD2xx contains two special Flash registers: the BOOT VECTOR and the STATUS BYTE. At the falling edge of reset, the P89C51RA2/RB2/RC2/RD2xx examines the contents of the Status Byte. If the Status Byte is set to zero, power-up execution starts at location 0000H, which is the normal start address of the user's application code. When the Status Byte is set to a value other than zero, the contents of the Boot Vector is used as the high byte of the execution address and the low byte is

set to 00H. The factory default setting is 0FCH, corresponds to the address 0FC00H for the factory masked-ROM ISP boot loader. A custom boot loader can be written with the Boot Vector set to the custom boot loader.

**NOTE: When erasing the Status Byte or Boot Vector, both bytes are erased at the same time. It is necessary to reprogram the Boot Vector after erasing and updating the Status Byte.**

## 80C51 8-bit Flash microcontroller family

## P89C51RA2/RB2/RC2/RD2xx

8KB/16KB/32KB/64KB ISP/IAP Flash with 512B/512B/512B/1KB RAM

**Hardware Activation of the Boot Loader**

The boot loader can also be executed by holding  $\overline{\text{PSEN}}$  LOW,  $\overline{\text{EA}}$  greater than  $V_{\text{IH}}$  (such as +5 V), and ALE HIGH (or not connected) at the falling edge of RESET. This is the same effect as having a non-zero status byte. This allows an application to be built that will normally execute the end user's code but can be manually forced into ISP operation.

If the factory default setting for the Boot Vector (0FCH) is changed, it will no longer point to the ISP masked-ROM boot loader code. If this

happens, the only way it is possible to change the contents of the Boot Vector is through the parallel programming method, provided that the end user application does not contain a customized loader that provides for erasing and reprogramming of the Boot Vector and Status Byte.

After programming the Flash, the status byte should be programmed to zero in order to allow execution of the user's application code beginning at address 0000H.

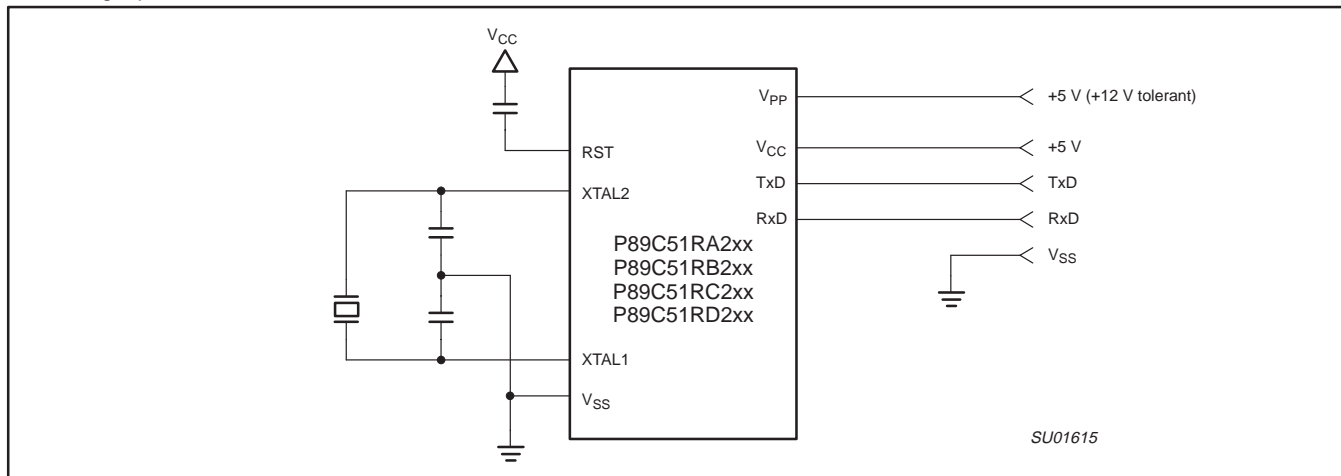


Figure 41. In-System Programming with a Minimum of Pins

**In-System Programming (ISP)**

The In-System Programming (ISP) is performed without removing the microcontroller from the system. The In-System Programming (ISP) facility consists of a series of internal hardware resources coupled with internal firmware to facilitate remote programming of the P89C51RA2/RB2/RC2/RD2xx through the serial port. This firmware is provided by Philips and embedded within each P89C51RA2/RB2/RC2/RD2xx device.

The Philips In-System Programming (ISP) facility has made in-circuit programming in an embedded application possible with a minimum of additional expense in components and circuit board area.

The ISP function uses five pins: TxD, RxD,  $V_{\text{SS}}$ ,  $V_{\text{CC}}$ , and  $V_{\text{PP}}$  (see Figure 41). Only a small connector needs to be available to interface your application to an external circuit in order to use this feature. The  $V_{\text{PP}}$  supply should be adequately decoupled and  $V_{\text{PP}}$  not allowed to exceed datasheet limits.

Free ISP software is available from the Embedded Systems Academy: "FlashMagic"

1. Direct your browser to the following page:  
<http://www.esacademy.com/software/flashmagic/>
2. Download Flashmagic
3. Execute "flashmagic.exe" to install the software

**Using the In-System Programming (ISP)**

The ISP feature allows for a wide range of baud rates to be used in your application, independent of the oscillator frequency. It is also adaptable to a wide range of oscillator frequencies. This is accomplished by measuring the bit-time of a single bit in a received character. This information is then used to program the baud rate in terms of timer counts based on the oscillator frequency. The ISP feature requires that an initial character (an uppercase U) be sent to

the P89C51RA2/RB2/RC2/RD2xx to establish the baud rate. The ISP firmware provides auto-echo of received characters.

Once baud rate initialization has been performed, the ISP firmware will only accept Intel Hex-type records. Intel Hex records consist of ASCII characters used to represent hexadecimal values and are summarized below:

```
:NAAAAARRDD..DDCC<crLf>
```

In the Intel Hex record, the "NN" represents the number of data bytes in the record. The P89C51RA2/RB2/RC2/RD2xx will accept up to 16 (10H) data bytes. The "AAAA" string represents the address of the first byte in the record. If there are zero bytes in the record, this field is often set to 0000. The "RR" string indicates the record type. A record type of "00" is a data record. A record type of "01" indicates the end-of-file mark. In this application, additional record types will be added to indicate either commands or data for the ISP facility. The maximum number of data bytes in a record is limited to 16 (decimal). ISP commands are summarized in Table 9.

As a record is received by the P89C51RA2/RB2/RC2/RD2xx, the information in the record is stored internally and a checksum calculation is performed. The operation indicated by the record type is not performed until the entire record has been received. Should an error occur in the checksum, the P89C51RA2/RB2/RC2/RD2xx will send an "X" out the serial port indicating a checksum error. If the checksum calculation is found to match the checksum in the record, then the command will be executed. In most cases, successful reception of the record will be indicated by transmitting a "." character out the serial port (displaying the contents of the internal program memory is an exception).

In the case of a Data Record (record type 00), an additional check is made. A "." character will NOT be sent unless the record checksum matched the calculated checksum and all of the bytes in the record

---

**80C51 8-bit Flash microcontroller family****P89C51RA2/RB2/RC2/RD2xx**8KB/16KB/32KB/64KB ISP/IAP Flash with 512B/512B/512B/1KB RAM

---

were successfully programmed. For a data record, an "X" indicates that the checksum failed to match, and an "R" character indicates that one of the bytes did not properly program. It is necessary to send a type 02 record (specify oscillator frequency) to the P89C51RA2/RB2/RC2/RD2xx before programming data.

The ISP facility was designed to that specific crystal frequencies were not required in order to generate baud rates or time the programming pulses. The user thus needs to provide the P89C51RA2/RB2/RC2/RD2xx with information required to generate the proper timing. Record type 02 is provided for this purpose.

80C51 8-bit Flash microcontroller family

P89C51RA2/RB2/RC2/RD2xx

8KB/16KB/32KB/64KB ISP/IAP Flash with 512B/512B/512B/1KB RAM

**Table 9. Intel-Hex Records Used by In-System Programming**

| RECORD TYPE | COMMAND/DATA FUNCTION  |
|-------------|--|
| 00          | <p>Program Data<br/>:nnaaaa0dd...ddcc</p> <p>Where:<br/>nn = number of bytes (hex) in record<br/>aaaa = memory address of first byte in record<br/>dd...dd = data bytes<br/>cc = checksum</p> <p>Example:<br/>:10008000AF5F67F0602703E0322CFA92007780C3FD</p>  |
| 01          | <p>End of File (EOF), no operation<br/>:xxxxxx01cc</p> <p>Where:<br/>xxxxxx = required field, but value is a "don't care"<br/>cc = checksum</p> <p>Example:<br/>:00000001FF</p>  |
| 03          | <p>Miscellaneous Write Functions<br/>:nnxxxx03ffssddcc</p> <p>Where:<br/>nn = number of bytes (hex) in record<br/>xxxx = required field, but value is a "don't care"<br/>03 = Write Function<br/>ff = subfunction code<br/>ss = selection code<br/>dd = data input (as needed)<br/>cc = checksum</p> <p>Subfunction Code = 01 (Erase 8K/16K Code Blocks)<br/>ff = 01<br/>ss = block code as shown below:<br/>block 0, 0k to 8k, 00H<br/>block 1, 8k to 16k, 20H (RB2, RC2, RD2)<br/>block 2, 16k to 32k, 40H (RC2, RD2)<br/>block 3, 32k to 48k, 80H (RD2 only)<br/>block 4, 48k to 64k, C0H (RD2 only)</p> <p>Example:<br/>:0200000301C03A erase block 4</p> <p>Subfunction Code = 04 (Erase Boot Vector and Status Byte)<br/>ff = 04<br/>ss = don't care</p> <p>Example:<br/>:020000030400F7 erase boot vector and status byte</p> <p>Subfunction Code = 05 (Program Security Bits)<br/>ff = 05<br/>ss = 00 program security bit 1 (inhibit writing to Flash)<br/>01 program security bit 2 (inhibit Flash verify)<br/>02 program security bit 3 (disable external memory)</p> <p>Example:<br/>:020000030501F5 program security bit 2</p> <p>Subfunction Code = 06 (Program Status Byte or Boot Vector)<br/>ff = 06<br/>ss = 00 program status byte<br/>01 program boot vector<br/>02 program FX2 bit (dd = 80)<br/>dd = data</p> <p>Example 1:<br/>:030000030601FCF7 program boot vector with 0FCH</p> <p>Example 2:<br/>:0300000306028072 program FX2 bit (select 12-clock mode)</p> |



80C51 8-bit Flash microcontroller family

P89C51RA2/RB2/RC2/RD2xx

8KB/16KB/32KB/64KB ISP/IAP Flash with 512B/512B/512B/1KB RAM

| RECORD TYPE              | COMMAND/DATA FUNCTION   |                       |                                   |                       |   |                        |  |                         |                                     |                         |                               |                         |                               |                         |                               |                         |                               |                         |   |                         |                         |                          |                         |                          |                         |                          |                         |                          |                         |                          |                         |                          |                         |
|--------------------------|---|-----------------------|-----------------------------------|-----------------------|---|------------------------|--|-------------------------|-------------------------------------|-------------------------|-------------------------------|-------------------------|-------------------------------|-------------------------|-------------------------------|-------------------------|-------------------------------|-------------------------|---|-------------------------|-------------------------|--------------------------|-------------------------|--------------------------|-------------------------|--------------------------|-------------------------|--------------------------|-------------------------|--------------------------|-------------------------|--------------------------|-------------------------|
| <p>03 (Cont.)</p>        | <p>Subfunction Code = 07 (Full Chip Erase)<br/>                     Erases all blocks, security bits, and sets status byte and boot vector to default values<br/>                     ff = 07<br/>                     ss = don't care<br/>                     dd = don't care<br/>                     Example:<br/>                     :0100000307F5 full chip erase</p> <p>Subfunction Code = 0C (Erase 4K Blocks)<br/>                     ff = 0C<br/>                     ss = block code as shown below:</p> <table border="0"> <tr> <td>Block 0 , 0k~4k , 00H</td> <td></td> </tr> <tr> <td>Block 1 , 4k~8k , 10H</td> <td></td> </tr> <tr> <td>Block 2 , 8k~12k , 20H</td> <td>(only available on RD2 / RC2 / RB2)</td> </tr> <tr> <td>Block 3 , 12k~16k , 30H</td> <td>(only available on RD2 / RC2 / RB2)</td> </tr> <tr> <td>Block 4 , 16k~20k , 40H</td> <td>(only available on RD2 / RC2)</td> </tr> <tr> <td>Block 5 , 20k~24k , 50H</td> <td>(only available on RD2 / RC2)</td> </tr> <tr> <td>Block 6 , 24k~28k , 60H</td> <td>(only available on RD2 / RC2)</td> </tr> <tr> <td>Block 7 , 28k~32k , 70H</td> <td>(only available on RD2 / RC2)</td> </tr> <tr> <td>Block 8 , 32k~36k , 80H</td> <td>(only available on RD2)</td> </tr> <tr> <td>Block 9 , 36k~40k , 90H</td> <td>(only available on RD2)</td> </tr> <tr> <td>Block 10 , 40k~44k , A0H</td> <td>(only available on RD2)</td> </tr> <tr> <td>Block 11 , 44k~48k , B0H</td> <td>(only available on RD2)</td> </tr> <tr> <td>Block 12 , 48k~52k , C0H</td> <td>(only available on RD2)</td> </tr> <tr> <td>Block 13 , 52k~56k , D0H</td> <td>(only available on RD2)</td> </tr> <tr> <td>Block 14 , 56k~60k , E0H</td> <td>(only available on RD2)</td> </tr> <tr> <td>Block 15 , 60k~64k , F0H</td> <td>(only available on RD2)</td> </tr> </table> <p>Example:<br/>                     :020000030C20CF (Erase 4k block #2)</p> | Block 0 , 0k~4k , 00H |                                   | Block 1 , 4k~8k , 10H |   | Block 2 , 8k~12k , 20H | (only available on RD2 / RC2 / RB2)                  | Block 3 , 12k~16k , 30H | (only available on RD2 / RC2 / RB2) | Block 4 , 16k~20k , 40H | (only available on RD2 / RC2) | Block 5 , 20k~24k , 50H | (only available on RD2 / RC2) | Block 6 , 24k~28k , 60H | (only available on RD2 / RC2) | Block 7 , 28k~32k , 70H | (only available on RD2 / RC2) | Block 8 , 32k~36k , 80H | (only available on RD2)                                       | Block 9 , 36k~40k , 90H | (only available on RD2) | Block 10 , 40k~44k , A0H | (only available on RD2) | Block 11 , 44k~48k , B0H | (only available on RD2) | Block 12 , 48k~52k , C0H | (only available on RD2) | Block 13 , 52k~56k , D0H | (only available on RD2) | Block 14 , 56k~60k , E0H | (only available on RD2) | Block 15 , 60k~64k , F0H | (only available on RD2) |
| Block 0 , 0k~4k , 00H    |   |                       |                                   |                       |   |                        |  |                         |                                     |                         |                               |                         |                               |                         |                               |                         |                               |                         |   |                         |                         |                          |                         |                          |                         |                          |                         |                          |                         |                          |                         |                          |                         |
| Block 1 , 4k~8k , 10H    |   |                       |                                   |                       |   |                        |  |                         |                                     |                         |                               |                         |                               |                         |                               |                         |                               |                         |   |                         |                         |                          |                         |                          |                         |                          |                         |                          |                         |                          |                         |                          |                         |
| Block 2 , 8k~12k , 20H   | (only available on RD2 / RC2 / RB2)   |                       |                                   |                       |   |                        |  |                         |                                     |                         |                               |                         |                               |                         |                               |                         |                               |                         |   |                         |                         |                          |                         |                          |                         |                          |                         |                          |                         |                          |                         |                          |                         |
| Block 3 , 12k~16k , 30H  | (only available on RD2 / RC2 / RB2)   |                       |                                   |                       |   |                        |  |                         |                                     |                         |                               |                         |                               |                         |                               |                         |                               |                         |   |                         |                         |                          |                         |                          |                         |                          |                         |                          |                         |                          |                         |                          |                         |
| Block 4 , 16k~20k , 40H  | (only available on RD2 / RC2)   |                       |                                   |                       |   |                        |  |                         |                                     |                         |                               |                         |                               |                         |                               |                         |                               |                         |   |                         |                         |                          |                         |                          |                         |                          |                         |                          |                         |                          |                         |                          |                         |
| Block 5 , 20k~24k , 50H  | (only available on RD2 / RC2)   |                       |                                   |                       |   |                        |  |                         |                                     |                         |                               |                         |                               |                         |                               |                         |                               |                         |   |                         |                         |                          |                         |                          |                         |                          |                         |                          |                         |                          |                         |                          |                         |
| Block 6 , 24k~28k , 60H  | (only available on RD2 / RC2)   |                       |                                   |                       |   |                        |  |                         |                                     |                         |                               |                         |                               |                         |                               |                         |                               |                         |   |                         |                         |                          |                         |                          |                         |                          |                         |                          |                         |                          |                         |                          |                         |
| Block 7 , 28k~32k , 70H  | (only available on RD2 / RC2)   |                       |                                   |                       |   |                        |  |                         |                                     |                         |                               |                         |                               |                         |                               |                         |                               |                         |   |                         |                         |                          |                         |                          |                         |                          |                         |                          |                         |                          |                         |                          |                         |
| Block 8 , 32k~36k , 80H  | (only available on RD2)   |                       |                                   |                       |   |                        |  |                         |                                     |                         |                               |                         |                               |                         |                               |                         |                               |                         |   |                         |                         |                          |                         |                          |                         |                          |                         |                          |                         |                          |                         |                          |                         |
| Block 9 , 36k~40k , 90H  | (only available on RD2)   |                       |                                   |                       |   |                        |  |                         |                                     |                         |                               |                         |                               |                         |                               |                         |                               |                         |   |                         |                         |                          |                         |                          |                         |                          |                         |                          |                         |                          |                         |                          |                         |
| Block 10 , 40k~44k , A0H | (only available on RD2)   |                       |                                   |                       |   |                        |  |                         |                                     |                         |                               |                         |                               |                         |                               |                         |                               |                         |   |                         |                         |                          |                         |                          |                         |                          |                         |                          |                         |                          |                         |                          |                         |
| Block 11 , 44k~48k , B0H | (only available on RD2)   |                       |                                   |                       |   |                        |  |                         |                                     |                         |                               |                         |                               |                         |                               |                         |                               |                         |   |                         |                         |                          |                         |                          |                         |                          |                         |                          |                         |                          |                         |                          |                         |
| Block 12 , 48k~52k , C0H | (only available on RD2)   |                       |                                   |                       |   |                        |  |                         |                                     |                         |                               |                         |                               |                         |                               |                         |                               |                         |   |                         |                         |                          |                         |                          |                         |                          |                         |                          |                         |                          |                         |                          |                         |
| Block 13 , 52k~56k , D0H | (only available on RD2)   |                       |                                   |                       |   |                        |  |                         |                                     |                         |                               |                         |                               |                         |                               |                         |                               |                         |   |                         |                         |                          |                         |                          |                         |                          |                         |                          |                         |                          |                         |                          |                         |
| Block 14 , 56k~60k , E0H | (only available on RD2)   |                       |                                   |                       |   |                        |  |                         |                                     |                         |                               |                         |                               |                         |                               |                         |                               |                         |   |                         |                         |                          |                         |                          |                         |                          |                         |                          |                         |                          |                         |                          |                         |
| Block 15 , 60k~64k , F0H | (only available on RD2)   |                       |                                   |                       |   |                        |  |                         |                                     |                         |                               |                         |                               |                         |                               |                         |                               |                         |   |                         |                         |                          |                         |                          |                         |                          |                         |                          |                         |                          |                         |                          |                         |
| <p>04</p>                | <p>Display Device Data or Blank Check – Record type 04 causes the contents of the entire Flash array to be sent out the serial port in a formatted display. This display consists of an address and the contents of 16 bytes starting with that address. No display of the device contents will occur if security bit 2 has been programmed. Data to the serial port is initiated by the reception of any character and terminated by the reception of any character.</p> <p>General Format of Function 04<br/>                     :05xxxx04ssseeeffcc</p> <p>Where:</p> <table border="0"> <tr> <td>05</td> <td>= number of bytes (hex) in record</td> </tr> <tr> <td>xxxx</td> <td>= required field, but value is a "don't care"</td> </tr> <tr> <td>04</td> <td>= "Display Device Data or Blank Check" function code</td> </tr> <tr> <td>ssss</td> <td>= starting address</td> </tr> <tr> <td>eeee</td> <td>= ending address</td> </tr> <tr> <td>ff</td> <td>= subfunction</td> </tr> <tr> <td></td> <td>00 = display data</td> </tr> <tr> <td></td> <td>01 = blank check</td> </tr> <tr> <td></td> <td>02 = display data in data block (valid addresses: 0001~0FFFH)</td> </tr> <tr> <td>cc</td> <td>= checksum</td> </tr> </table> <p>Example 1:<br/>                     :0500000440004FFF0069 display 4000~4FFF</p> <p>Example 2:<br/>                     :0500000400000FFF02E7 display data in data block<br/>                     (the data at address 0000 is invalid)</p>  | 05                    | = number of bytes (hex) in record | xxxx                  | = required field, but value is a "don't care" | 04                     | = "Display Device Data or Blank Check" function code | ssss                    | = starting address                  | eeee                    | = ending address              | ff                      | = subfunction                 |                         | 00 = display data             |                         | 01 = blank check              |                         | 02 = display data in data block (valid addresses: 0001~0FFFH) | cc                      | = checksum              |                          |                         |                          |                         |                          |                         |                          |                         |                          |                         |                          |                         |
| 05                       | = number of bytes (hex) in record   |                       |                                   |                       |   |                        |  |                         |                                     |                         |                               |                         |                               |                         |                               |                         |                               |                         |   |                         |                         |                          |                         |                          |                         |                          |                         |                          |                         |                          |                         |                          |                         |
| xxxx                     | = required field, but value is a "don't care"   |                       |                                   |                       |   |                        |  |                         |                                     |                         |                               |                         |                               |                         |                               |                         |                               |                         |   |                         |                         |                          |                         |                          |                         |                          |                         |                          |                         |                          |                         |                          |                         |
| 04                       | = "Display Device Data or Blank Check" function code  |                       |                                   |                       |   |                        |  |                         |                                     |                         |                               |                         |                               |                         |                               |                         |                               |                         |   |                         |                         |                          |                         |                          |                         |                          |                         |                          |                         |                          |                         |                          |                         |
| ssss                     | = starting address  |                       |                                   |                       |   |                        |  |                         |                                     |                         |                               |                         |                               |                         |                               |                         |                               |                         |   |                         |                         |                          |                         |                          |                         |                          |                         |                          |                         |                          |                         |                          |                         |
| eeee                     | = ending address  |                       |                                   |                       |   |                        |  |                         |                                     |                         |                               |                         |                               |                         |                               |                         |                               |                         |   |                         |                         |                          |                         |                          |                         |                          |                         |                          |                         |                          |                         |                          |                         |
| ff                       | = subfunction   |                       |                                   |                       |   |                        |  |                         |                                     |                         |                               |                         |                               |                         |                               |                         |                               |                         |   |                         |                         |                          |                         |                          |                         |                          |                         |                          |                         |                          |                         |                          |                         |
|                          | 00 = display data   |                       |                                   |                       |   |                        |  |                         |                                     |                         |                               |                         |                               |                         |                               |                         |                               |                         |   |                         |                         |                          |                         |                          |                         |                          |                         |                          |                         |                          |                         |                          |                         |
|                          | 01 = blank check  |                       |                                   |                       |   |                        |  |                         |                                     |                         |                               |                         |                               |                         |                               |                         |                               |                         |   |                         |                         |                          |                         |                          |                         |                          |                         |                          |                         |                          |                         |                          |                         |
|                          | 02 = display data in data block (valid addresses: 0001~0FFFH)   |                       |                                   |                       |   |                        |  |                         |                                     |                         |                               |                         |                               |                         |                               |                         |                               |                         |   |                         |                         |                          |                         |                          |                         |                          |                         |                          |                         |                          |                         |                          |                         |
| cc                       | = checksum  |                       |                                   |                       |   |                        |  |                         |                                     |                         |                               |                         |                               |                         |                               |                         |                               |                         |   |                         |                         |                          |                         |                          |                         |                          |                         |                          |                         |                          |                         |                          |                         |

80C51 8-bit Flash microcontroller family

P89C51RA2/RB2/RC2/RD2xx

8KB/16KB/32KB/64KB ISP/IAP Flash with 512B/512B/512B/1KB RAM

| RECORD TYPE | COMMAND/DATA FUNCTION   |
|-------------|---|
| <p>05</p>   | <p>Miscellaneous Read Functions (Selection)</p> <p>General Format of Function 05<br/>:02xxxx05ffsscc</p> <p>Where:</p> <ul style="list-style-type: none"> <li>02 = number of bytes (hex) in record</li> <li>xxxx = required field, but value is a "don't care"</li> <li>05 = "Miscellaneous Read" function code</li> <li>ffss = subfunction and selection code                             <ul style="list-style-type: none"> <li>0000 = read signature byte - manufacturer id (15H)</li> <li>0001 = read signature byte - device id # 1 (C2H)</li> <li>0002 = read signature byte - device id # 2</li> <li>0003 = read FX2 bit</li> <li>0080 = read ROM Code Revision</li> <li>0700 = read security bits</li> <li>0701 = read status byte</li> <li>0702 = read boot vector</li> </ul> </li> <li>cc = checksum</li> </ul> <p>Example 1:<br/>:020000050001F8 read signature byte - device id # 1</p> <p>Example 2:<br/>:020000050003F6 read FX2 bit<br/>(bit7=0 represent 12-clock mode, bit7=1 represent 6-clock mode)</p> <p>Example 3:<br/>:02000005008079 read ROM Code Revision (0A: Rev. A, 0B:Rev. B)</p> |
| <p>06</p>   | <p>Direct Load of Baud Rate</p> <p>General Format of Function 06<br/>:02xxxx06hhllcc</p> <p>Where:</p> <ul style="list-style-type: none"> <li>02 = number of bytes (hex) in record</li> <li>xxxx = required field, but value is a "don't care"</li> <li>06 = "Direct Load of Baud Rate" function code</li> <li>hh = high byte of Timer 2</li> <li>ll = low byte of Timer 2</li> <li>cc = checksum</li> </ul> <p>Example:<br/>:02000006F500F3</p>  |
| <p>07</p>   | <p>Program Data in Data Block</p> <p>:nnaaaa07dd...ddcc</p> <p>Where:</p> <ul style="list-style-type: none"> <li>nn = number of bytes (hex) in record</li> <li>aaaa = memory address of first byte in record (the valid address:0001~0FFFH)</li> <li>dd...dd = data bytes</li> <li>cc = checksum</li> </ul> <p>Example:<br/>:10008007AF5F67F0602703E0322CFA92007780C3F6</p>   |

## 80C51 8-bit Flash microcontroller family

## P89C51RA2/RB2/RC2/RD2xx

8KB/16KB/32KB/64KB ISP/IAP Flash with 512B/512B/512B/1KB RAM

**In Application Programming Method**

Several In Application Programming (IAP) calls are available for use by an application program to permit selective erasing and programming of Flash sectors. All calls are made through a common interface, PGM\_MTP. The programming functions are selected by setting up the microcontroller's registers before making a call to PGM\_MTP at FFF0H. The oscillator frequency is an integer number rounded down to the nearest megahertz. For example, set R0 to 11 for 11.0592 MHz. Results are returned in the registers. The IAP calls are shown in Table 10.

**Using the Watchdog Timer (WDT)**

The P89C51Rx2 devices support the use of the WDT in IAP. The user specifies that the WDT is to be fed by setting the most significant bit of the function parameter passed in R1 prior to calling PGM\_MTP. The WDT function is only supported for Block Erase when using Quick Block Erase. The Quick Block Erase is specified by performing a Block Erase with register R0 = 0. Requesting a WDT feed during IAP should only be performed in applications that use the WDT since the process of feeding the WDT will start the WDT if the WDT was not running.

**Table 10. IAP calls**

| IAP CALL                              | PARAMETER   |
|---------------------------------------|---|
| PROGRAM BYTE                          | Input Parameter:<br>R0 = osc freq (integer)<br>R1 = 02h or R1= 82h (WDT feed)<br>DPTR = address of byte to program<br>ACC = byte to program<br>Return Parameter:<br>ACC = 00 if pass, !=00 if fail  |
| ERASE 4K CODE BLOCK<br>(New function) | Input Parameter:<br>R0 = osc freq (integer)<br>R1 = 0Ch or R1 = 8Ch (WDT feed)<br>DPH = address of 4k code block<br>DPH = 00H , 4k block 0, 0k~4k<br>DPH = 10H , 4k block 1, 4k~8k<br>DPH = 20H , 4k block 2, 8k~12k<br>DPH = 30H , 4k block 3, 12k~16k<br>DPH = 40H , 4k block 4, 16k~20k<br>DPH = 50H , 4k block 5, 20k~24k<br>DPH = 60H , 4k block 6, 24k~28k<br>DPH = 70H , 4k block 7, 28k~32k<br>DPH = 80H , 4k block 8, 32k~36k<br>DPH = 90H , 4k block 9, 36k~40k<br>DPH = A0H , 4k block 10, 40k~44k<br>DPH = B0H , 4k block 11, 44k~48k<br>DPH = C0H , 4k block 12, 48k~52k<br>DPH = D0H , 4k block 13, 52k~56k<br>DPH = E0H , 4k block 14, 56k~60k<br>DPH = F0H , 4k block 15, 60k~64k<br>DPL = 00h<br>Return Parameter:<br>ACC = 00 if pass, !=00 if fail |
| ERASE 8K / 16K CODE<br>BLOCK          | Input Parameter:<br>R0 = osc freq (integer)<br>R1 = 01h or R1 = 81h (WDT feed)<br>DPH = address of code block<br>DPH = 00H , block 0 , 0k~8k<br>DPH = 20H , block 1 , 8k~16k<br>DPH = 40H , block 2 , 16~32k<br>DPH = 80H , block 3 , 32k~48k<br>DPH = C0H , block 4 , 48k~64k<br>DPL = 00h<br>Return Parameter:<br>ACC = 00 if pass , !=0 if fail  |
| ERASE STATUS BYTE &<br>BOOT VECTOR    | Input Parameter:<br>R0 = osc freq (integer)<br>R1 = 04h or R1 = 84h (WDT feed)<br>DPH = 00h<br>DPL = don't care<br>Return Parameter:<br>ACC = 00 if pass , !=0 if fail  |

## 80C51 8-bit Flash microcontroller family

## P89C51RA2/RB2/RC2/RD2xx

8KB/16KB/32KB/64KB ISP/IAP Flash with 512B/512B/512B/1KB RAM

| IAP CALL   | PARAMETER   |
|--|---|
| PROGRAM SECURITY BITS                                    | Input Parameter:<br>R0 = osc freq (integer)<br>R1 = 05h or R1 = 85h (WDT feed)<br>DPH = 00h<br>DPL = 00h , security bit #1<br>DPL = 01h , security bit #2<br>DPL = 02h , security bit #3<br>Return Parameter:<br>ACC = 00 if pass , !=0 if fail |
| PROGRAM STATUS BYTE                                      | Input Parameter:<br>R0 = osc freq (integer)<br>R1 = 06h or R1 = 86h (WDT feed)<br>DPH = 00h<br>DPL = 00H - program status byte<br>ACC = status byte<br>Return Parameter:<br>ACC = 00 if pass , !=0 if fail                                      |
| PROGRAM BOOT VECTOR                                      | Input Parameter:<br>R0 = osc freq (integer)<br>R1 = 06h or R1 = 86h (WDT feed)<br>DPH = 00h<br>DPL = 01H - program boot vector<br>ACC = boot vector<br>Return Parameter:<br>ACC = 00 if pass , !=0 if fail                                      |
| PROGRAM 6-CLK/12-CLK CONFIGURATION BIT<br>(New function) | Input Parameter:<br>R0 = osc freq (integer)<br>R1 = 06h or R1 = 86h (WDT feed)<br>DPH = 00h<br>DPL = 02H - program config bit<br>ACC = 80H (MSB = 6clk/12clk bit)<br>Return Parameter:<br>ACC = 00 if pass , !=0 if fail                        |
| PROGRAM DATA BLOCK<br>(New function)                     | Input Parameter:<br>R0 = osc freq (integer)<br>R1 = 0Dh or R1 = 8Dh (WDT feed)<br>DPTR = address of byte to program<br>(valid addresses = 0001h~0FFFh)<br>ACC = data<br>Return Parameter:<br>ACC = 00 if pass , !=0 if fail                     |
| READ DEVICE DATA   | Input Parameter:<br>R0 = osc freq (integer)<br>R1 = 03h or R1 = 83h (WDT feed)<br>DPTR = address of byte to read<br>Return Parameter:<br>ACC = value of byte read   |
| READ DATA BLOCK<br>(New function)                        | Input Parameter:<br>R0 = osc freq (integer)<br>R1 = 0Eh or R1 = 8Eh (WDT feed)<br>DPTR = address of byte to read<br>(valid addresses = 0001h~0FFFh)<br>Return Parameter:<br>ACC = value of byte read  |
| READ MANUFACTURER ID                                     | Input Parameter:<br>R0 = osc freq (integer)<br>R1 = 00h or R1 = 80h (WDT feed)<br>DPH = 00h<br>DPL = 00h - read manufacturer ID<br>Return Parameter:<br>ACC = value of byte read  |

## 80C51 8-bit Flash microcontroller family

## P89C51RA2/RB2/RC2/RD2xx

8KB/16KB/32KB/64KB ISP/IAP Flash with 512B/512B/512B/1KB RAM

| IAP CALL                        | PARAMETER   |
|---------------------------------|---|
| READ DEVICE ID #1               | Input Parameter:<br>R0 = osc freq (integer)<br>R1 = 00h or R1 = 80h (WDT feed)<br>DPH = 00h<br>DPL = 01h - read device ID #1<br>Return Parameter:<br>ACC = value of byte read         |
| READ DEVICE ID #2               | Input Parameter:<br>R0 = osc freq (integer)<br>R1 = 00h or R1 = 80h (WDT feed)<br>DPH = 00h<br>DPL = 02h - read device ID #2<br>Return Parameter:<br>ACC = value of byte read         |
| READ SECURITY BITS              | Input Parameter:<br>R0 = osc freq (integer)<br>R1 = 07h or R1 = 87h (WDT feed)<br>DPH = 00h<br>DPL = 00h - read lock byte<br>Return Parameter:<br>ACC = value of byte read            |
| READ STATUS BYTE                | Input Parameter:<br>R0 = osc freq (integer)<br>R1 = 07h or R1 = 87h (WDT feed)<br>DPH = 00h<br>DPL = 01h - read status byte<br>Return Parameter:<br>ACC = value of byte read          |
| READ BOOT VECTOR                | Input Parameter:<br>R0 = osc freq (integer)<br>R1 = 07h or R1 = 87h (WDT feed)<br>DPH = 00h<br>DPL = 02h - read boot vector<br>Return Parameter:<br>ACC = value of byte read          |
| READ CONFIG<br>(New function)   | Input Parameter:<br>R0 = osc freq (integer)<br>R1 = 00h or R1 = 80h (WDT feed)<br>DPH = 00h<br>DPL = 03h - read config byte<br>Return Parameter:<br>ACC = value of byte read          |
| READ REVISION<br>(New function) | Input Parameter:<br>R0 = osc freq (integer)<br>R1 = 00h or R1 = 80h (WDT feed)<br>DPH = 00h<br>DPL = 80h - read revision of ROM Code<br>Return Parameter:<br>ACC = value of byte read |

**80C51 8-bit Flash microcontroller family****P89C51RA2/RB2/RC2/RD2xx**

8KB/16KB/32KB/64KB ISP/IAP Flash with 512B/512B/512B/1KB RAM

**Security**

The security feature protects against software piracy and prevents the contents of the Flash from being read. The Security Lock bits are located in Flash. The P89C51RA2/RB2/RC2/RD2xx has three programmable security lock bits that will provide different levels of protection for the on-chip code and data (see Table 11).

**Table 11.**

| LEVEL | SECURITY LOCK BITS <sup>1</sup> |     |     | PROTECTION DESCRIPTION  |
|-------|---------------------------------|-----|-----|---|
|       | LB1                             | LB2 | LB3 |   |
| 1     | 0                               | 0   | 0   | MOVC instructions executed from external program memory are disabled from fetching code bytes from internal memory. |
| 2     | 1                               | 0   | 0   | Block erase is disabled. Erase or programming of the status byte or boot vector is disabled.                        |
| 3     | 1                               | 1   | 0   | Verify of code memory is disabled.  |
| 4     | 1                               | 1   | 1   | External execution is disabled.   |

**NOTE:**

1. Security bits are independent of each other. Full-chip erase may be performed regardless of the state of the security bits.
2. Any other combination of lock bits is undefined.
3. Setting LBx doesn't prevent programming of unprogrammed bits.

## 80C51 8-bit Flash microcontroller family

## P89C51RA2/RB2/RC2/RD2xx

8KB/16KB/32KB/64KB ISP/IAP Flash with 512B/512B/512B/1KB RAM

**ABSOLUTE MAXIMUM RATINGS**<sup>1, 2, 3</sup>

| PARAMETER  | RATING                 | UNIT |
|--|------------------------|------|
| Operating temperature under bias   | 0 to +70 or -40 to +85 | °C   |
| Storage temperature range  | -65 to +150            | °C   |
| Voltage on $\bar{E}A/V_{PP}$ pin to $V_{SS}$   | 0 to +13.0             | V    |
| Voltage on any other pin to $V_{SS}$   | -0.5 to +6.5           | V    |
| Maximum $I_{OL}$ per I/O pin   | 15                     | mA   |
| Power dissipation (based on package heat transfer limitations, not device power consumption) | 1.5                    | W    |

**NOTES:**

1. Stresses above those listed under Absolute Maximum Ratings may cause permanent damage to the device. This is a stress rating only and functional operation of the device at these or any conditions other than those described in the AC and DC Electrical Characteristics section of this specification is not implied.
2. This product includes circuitry specifically designed for the protection of its internal devices from the damaging effects of excessive static charge. Nonetheless, it is suggested that conventional precautions be taken to avoid applying greater than the rated maximum.
3. Parameters are valid over operating temperature range unless otherwise specified. All voltages are with respect to  $V_{SS}$  unless otherwise noted.

## 80C51 8-bit Flash microcontroller family

## P89C51RA2/RB2/RC2/RD2xx

8KB/16KB/32KB/64KB ISP/IAP Flash with 512B/512B/512B/1KB RAM

## DC ELECTRICAL CHARACTERISTICS

 $T_{amb} = 0\text{ }^{\circ}\text{C to }+70\text{ }^{\circ}\text{C or }-40\text{ }^{\circ}\text{C to }+85\text{ }^{\circ}\text{C}; V_{CC} = 5\text{ V} \pm 10\%; V_{SS} = 0\text{ V}$ 

| SYMBOL    | PARAMETER  | TEST CONDITIONS  | LIMITS          |                    |                 | UNIT                                 |
|-----------|--|--|-----------------|--------------------|-----------------|--------------------------------------|
|           |  |  | MIN             | TYP <sup>1</sup>   | MAX             |                                      |
| $V_{IL}$  | Input low voltage  | $4.5\text{ V} < V_{CC} < 5.5\text{ V}$   | -0.5            |                    | $0.2V_{CC}-0.1$ | V                                    |
| $V_{IH}$  | Input high voltage (ports 0, 1, 2, 3, EA)  |  | $0.2V_{CC}+0.9$ |                    | $V_{CC}+0.5$    | V                                    |
| $V_{IH1}$ | Input high voltage, XTAL1, RST   |  | $0.7V_{CC}$     |                    | $V_{CC}+0.5$    | V                                    |
| $V_{OL}$  | Output low voltage, ports 1, 2, 3 <sup>8</sup>   | $V_{CC} = 4.5\text{ V}$<br>$I_{OL} = 1.6\text{ mA}^2$  |                 |                    | 0.4             | V                                    |
| $V_{OL1}$ | Output low voltage, port 0, ALE, PSEN <sup>7, 8</sup>  | $V_{CC} = 4.5\text{ V}$<br>$I_{OL} = 3.2\text{ mA}^2$  |                 |                    | 0.45            | V                                    |
| $V_{OH}$  | Output high voltage, ports 1, 2, 3 <sup>3</sup>  | $V_{CC} = 4.5\text{ V}$<br>$I_{OH} = -30\text{ }\mu\text{A}$   | $V_{CC} - 0.7$  |                    |                 | V                                    |
| $V_{OH1}$ | Output high voltage (port 0 in external bus mode), ALE <sup>9</sup> , PSEN <sup>3</sup>  | $V_{CC} = 4.5\text{ V}$<br>$I_{OH} = -3.2\text{ mA}$   | $V_{CC} - 0.7$  |                    |                 | V                                    |
| $I_{IL}$  | Logical 0 input current, ports 1, 2, 3   | $V_{IN} = 0.4\text{ V}$  | -1              |                    | -75             | $\mu\text{A}$                        |
| $I_{TL}$  | Logical 1-to-0 transition current, ports 1, 2, 3 <sup>6</sup>  | $V_{IN} = 2.0\text{ V}$<br>See Note 4  |                 |                    | -650            | $\mu\text{A}$                        |
| $I_{LI}$  | Input leakage current, port 0  | $0.45 < V_{IN} < V_{CC} - 0.3$   |                 |                    | $\pm 10$        | $\mu\text{A}$                        |
| $I_{CC}$  | Power supply current (see Figure 49):<br>Active mode (see Note 5)<br>Idle mode (see Note 5)<br>Power-down mode or clock stopped (see Figure 55 for conditions)<br>Programming and erase mode | See Note 5<br><br>$T_{amb} = 0\text{ }^{\circ}\text{C to }70\text{ }^{\circ}\text{C}$<br>$T_{amb} = -40\text{ }^{\circ}\text{C to }+85\text{ }^{\circ}\text{C}$<br>$f_{osc} = 20\text{ MHz}$ |                 | < 30<br>< 40<br>60 | 100<br>125      | $\mu\text{A}$<br>$\mu\text{A}$<br>mA |
| $R_{RST}$ | Internal reset pull-down resistor  |  | 40              |                    | 225             | k $\Omega$                           |
| $C_{IO}$  | Pin capacitance <sup>10</sup> (except EA)  |  |                 |                    | 15              | pF                                   |

## NOTES:

- Typical ratings are not guaranteed. The values listed are at room temperature, 5 V.
- Capacitive loading on ports 0 and 2 may cause spurious noise to be superimposed on the  $V_{OL}$ s of ALE and ports 1 and 3. The noise is due to external bus capacitance discharging into the port 0 and port 2 pins when these pins make 1-to-0 transitions during bus operations. In the worst cases (capacitive loading > 100 pF), the noise pulse on the ALE pin may exceed 0.8 V. In such cases, it may be desirable to qualify ALE with a Schmitt Trigger, or use an address latch with a Schmitt Trigger STROBE input.  $I_{OL}$  can exceed these conditions provided that no single output sinks more than 5 mA and no more than two outputs exceed the test conditions.
- Capacitive loading on ports 0 and 2 may cause the  $V_{OH}$  on ALE and PSEN to momentarily fall below the  $V_{CC}-0.7$  specification when the address bits are stabilizing.
- Pins of ports 1, 2 and 3 source a transition current when they are being externally driven from 1 to 0. The transition current reaches its maximum value when  $V_{IN}$  is approximately 2 V.
- See Figures 52 through 55 for  $I_{CC}$  test conditions and Figure 49 for  $I_{CC}$  vs Freq.  
Active mode:  $I_{CC(MAX)} = (10.5 + 0.9 \times \text{FREQ. [MHz]})\text{mA}$  in 12-clock mode  
Idle mode:  $I_{CC(MAX)} = (2.5 + 0.33 \times \text{FREQ. [MHz]})\text{mA}$  in 12-clock mode
- This value applies to  $T_{amb} = 0\text{ }^{\circ}\text{C to }+70\text{ }^{\circ}\text{C}$ .
- Load capacitance for port 0, ALE, and PSEN = 100 pF, load capacitance for all other outputs = 80 pF.
- Under steady state (non-transient) conditions,  $I_{OL}$  must be externally limited as follows:  
Maximum  $I_{OL}$  per port pin: 15 mA (\*NOTE: This is 85 °C specification.)  
Maximum  $I_{OL}$  per 8-bit port: 26 mA  
Maximum total  $I_{OL}$  for all outputs: 71 mA  
If  $I_{OL}$  exceeds the test condition,  $V_{OL}$  may exceed the related specification. Pins are not guaranteed to sink current greater than the listed test conditions.
- ALE is tested to  $V_{OH1}$ , except when ALE is off then  $V_{OH}$  is the voltage specification.
- Pin capacitance is characterized but not tested. Pin capacitance is less than 25 pF. Pin capacitance of ceramic package is less than 15 pF (except EA is 25 pF).



## 80C51 8-bit Flash microcontroller family

## P89C51RA2/RB2/RC2/RD2xx

8KB/16KB/32KB/64KB ISP/IAP Flash with 512B/512B/512B/1KB RAM

**AC ELECTRICAL CHARACTERISTICS (12-CLOCK MODE)** $T_{amb} = 0\text{ }^{\circ}\text{C to }+70\text{ }^{\circ}\text{C or }-40\text{ }^{\circ}\text{C to }+85\text{ }^{\circ}\text{C}; V_{CC} = 5\text{ V} \pm 10\%, V_{SS} = 0\text{ V}^{1, 2, 3}$ 

| SYMBOL                | FIGURE | PARAMETER   | VARIABLE CLOCK <sup>4</sup> |                     | 33 MHz CLOCK <sup>4</sup> |     | UNIT |
|-----------------------|--------|---|-----------------------------|---------------------|---------------------------|-----|------|
|                       |        |   | MIN                         | MAX                 | MIN                       | MAX |      |
| $1/t_{CLCL}$          | 42     | Oscillator frequency  | 0                           | 33                  |                           |     | MHz  |
| $t_{LHLL}$            | 42     | ALE pulse width   | $2t_{CLCL}-40$              |                     | 21                        |     | ns   |
| $t_{AVLL}$            | 42     | Address valid to ALE low                                    | $t_{CLCL}-25$               |                     | 5                         |     | ns   |
| $t_{LLAX}$            | 42     | Address hold after ALE low                                  | $t_{CLCL}-25$               |                     | 5                         |     | ns   |
| $t_{LLIV}$            | 42     | ALE low to valid instruction in                             |                             | $4t_{CLCL}-65$      |                           | 55  | ns   |
| $t_{LLPL}$            | 42     | ALE low to PSEN low   | $t_{CLCL}-25$               |                     | 5                         |     | ns   |
| $t_{PLPH}$            | 42     | PSEN pulse width  | $3t_{CLCL}-45$              |                     | 45                        |     | ns   |
| $t_{PLIV}$            | 42     | PSEN low to valid instruction in                            |                             | $3t_{CLCL}-60$      |                           | 30  | ns   |
| $t_{PXIX}$            | 42     | Input instruction hold after PSEN                           | 0                           |                     | 0                         |     | ns   |
| $t_{PXIZ}$            | 42     | Input instruction float after PSEN                          |                             | $t_{CLCL}-25$       |                           | 5   | ns   |
| $t_{AVIV}$            | 42     | Address to valid instruction in                             |                             | $5t_{CLCL}-80$      |                           | 70  | ns   |
| $t_{PLAZ}$            | 42     | PSEN low to address float                                   |                             | 10                  |                           | 10  | ns   |
| <b>Data Memory</b>    |        |   |                             |                     |                           |     |      |
| $t_{RLRH}$            | 43, 44 | $\overline{RD}$ pulse width                                 | $6t_{CLCL}-100$             |                     | 82                        |     | ns   |
| $t_{WLWH}$            | 43, 44 | $\overline{WR}$ pulse width                                 | $6t_{CLCL}-100$             |                     | 82                        |     | ns   |
| $t_{RLDV}$            | 43, 44 | $\overline{RD}$ low to valid data in                        |                             | $5t_{CLCL}-90$      |                           | 60  | ns   |
| $t_{RHDX}$            | 43, 44 | Data hold after $\overline{RD}$                             | 0                           |                     | 0                         |     | ns   |
| $t_{RHDZ}$            | 43, 44 | Data float after $\overline{RD}$                            |                             | $2t_{CLCL}-28$      |                           | 32  | ns   |
| $t_{LLDV}$            | 43, 44 | ALE low to valid data in                                    |                             | $8t_{CLCL}-150$     |                           | 90  | ns   |
| $t_{AVDV}$            | 43, 44 | Address to valid data in                                    |                             | $9t_{CLCL}-165$     |                           | 105 | ns   |
| $t_{LLWL}$            | 43, 44 | ALE low to $\overline{RD}$ or $\overline{WR}$ low           | $3t_{CLCL}-50$              | $3t_{CLCL}+50$      | 40                        | 140 | ns   |
| $t_{AVWL}$            | 43, 44 | Address valid to $\overline{WR}$ low or $\overline{RD}$ low | $4t_{CLCL}-75$              |                     | 45                        |     | ns   |
| $t_{QVWX}$            | 43, 44 | Data valid to $\overline{WR}$ transition                    | $t_{CLCL}-30$               |                     | 0                         |     | ns   |
| $t_{WHQX}$            | 43, 44 | Data hold after $\overline{WR}$                             | $t_{CLCL}-25$               |                     | 5                         |     | ns   |
| $t_{QVWH}$            | 44     | Data valid to $\overline{WR}$ high                          | $7t_{CLCL}-130$             |                     | 80                        |     | ns   |
| $t_{RLAZ}$            | 43, 44 | $\overline{RD}$ low to address float                        |                             | 0                   |                           | 0   | ns   |
| $t_{WHLH}$            | 43, 44 | $\overline{RD}$ or $\overline{WR}$ high to ALE high         | $t_{CLCL}-25$               | $t_{CLCL}+25$       | 5                         | 55  | ns   |
| <b>External Clock</b> |        |   |                             |                     |                           |     |      |
| $t_{CHCX}$            | 46     | High time   | 17                          | $t_{CLCL}-t_{CLCX}$ |                           |     | ns   |
| $t_{CLCX}$            | 46     | Low time  | 17                          | $t_{CLCL}-t_{CHCX}$ |                           |     | ns   |
| $t_{CLCH}$            | 46     | Rise time   |                             | 5                   |                           |     | ns   |
| $t_{CHCL}$            | 46     | Fall time   |                             | 5                   |                           |     | ns   |
| <b>Shift Register</b> |        |   |                             |                     |                           |     |      |
| $t_{XLXL}$            | 45     | Serial port clock cycle time                                | $12t_{CLCL}$                |                     | 360                       |     | ns   |
| $t_{QVXH}$            | 45     | Output data setup to clock rising edge                      | $10t_{CLCL}-133$            |                     | 167                       |     | ns   |
| $t_{XHQX}$            | 45     | Output data hold after clock rising edge                    | $2t_{CLCL}-80$              |                     | 50                        |     | ns   |
| $t_{XHDX}$            | 45     | Input data hold after clock rising edge                     | 0                           |                     | 0                         |     | ns   |
| $t_{XHDV}$            | 45     | Clock rising edge to input data valid                       |                             | $10t_{CLCL}-133$    |                           | 167 | ns   |

**NOTES:**

- Parameters are valid over operating temperature range unless otherwise specified.
- Load capacitance for port 0, ALE, and PSEN = 100 pF, load capacitance for all other outputs = 80 pF.
- Interfacing the microcontroller to devices with float times up to 45 ns is permitted. This limited bus contention will not cause damage to Port 0 drivers.
- Parts are tested to 3.5 MHz, but guaranteed to operate down to 0 Hz.

## 80C51 8-bit Flash microcontroller family

## P89C51RA2/RB2/RC2/RD2xx

8KB/16KB/32KB/64KB ISP/IAP Flash with 512B/512B/512B/1KB RAM

**AC ELECTRICAL CHARACTERISTICS (6-CLOCK MODE)**T<sub>amb</sub> = 0 °C to +70 °C or -40 °C to +85 °C; V<sub>CC</sub> = 5 V ± 10%, V<sub>SS</sub> = 0 V<sup>1, 2, 3</sup>

| SYMBOL                | FIGURE | PARAMETER   | VARIABLE CLOCK <sup>4</sup> |                                      | 20 MHz CLOCK <sup>4</sup> |     | UNIT |
|-----------------------|--------|---|-----------------------------|--------------------------------------|---------------------------|-----|------|
|                       |        |   | MIN                         | MAX                                  | MIN                       | MAX |      |
| 1/t <sub>CLCL</sub>   | 42     | Oscillator frequency  | 0                           | 20                                   |                           |     | MHz  |
| t <sub>LHLL</sub>     | 42     | ALE pulse width   | t <sub>CLCL</sub> -40       |                                      | 10                        |     | ns   |
| t <sub>AVLL</sub>     | 42     | Address valid to ALE low                                    | 0.5t <sub>CLCL</sub> -20    |                                      | 5                         |     | ns   |
| t <sub>LLAX</sub>     | 42     | Address hold after ALE low                                  | 0.5t <sub>CLCL</sub> -20    |                                      | 5                         |     | ns   |
| t <sub>LLIV</sub>     | 42     | ALE low to valid instruction in                             |                             | 2t <sub>CLCL</sub> -65               |                           | 35  | ns   |
| t <sub>LLPL</sub>     | 42     | ALE low to PSEN low   | 0.5t <sub>CLCL</sub> -20    |                                      | 5                         |     | ns   |
| t <sub>PLPH</sub>     | 42     | PSEN pulse width  | 1.5t <sub>CLCL</sub> -45    |                                      | 30                        |     | ns   |
| t <sub>PLIV</sub>     | 42     | PSEN low to valid instruction in                            |                             | 1.5t <sub>CLCL</sub> -60             |                           | 15  | ns   |
| t <sub>PXIX</sub>     | 42     | Input instruction hold after PSEN                           | 0                           |                                      | 0                         |     | ns   |
| t <sub>PXIZ</sub>     | 42     | Input instruction float after PSEN                          |                             | 0.5t <sub>CLCL</sub> -20             |                           | 5   | ns   |
| t <sub>AVIV</sub>     | 42     | Address to valid instruction in                             |                             | 2.5t <sub>CLCL</sub> -80             |                           | 45  | ns   |
| t <sub>PLAZ</sub>     | 42     | PSEN low to address float                                   |                             | 10                                   |                           | 10  | ns   |
| <b>Data Memory</b>    |        |   |                             |                                      |                           |     |      |
| t <sub>RLRH</sub>     | 43, 44 | $\overline{RD}$ pulse width                                 | 3t <sub>CLCL</sub> -100     |                                      | 50                        |     | ns   |
| t <sub>WLWH</sub>     | 43, 44 | $\overline{WR}$ pulse width                                 | 3t <sub>CLCL</sub> -100     |                                      | 50                        |     | ns   |
| t <sub>RLDV</sub>     | 43, 44 | $\overline{RD}$ low to valid data in                        |                             | 2.5t <sub>CLCL</sub> -90             |                           | 35  | ns   |
| t <sub>RHDX</sub>     | 43, 44 | Data hold after $\overline{RD}$                             | 0                           |                                      | 0                         |     | ns   |
| t <sub>RHDZ</sub>     | 43, 44 | Data float after $\overline{RD}$                            |                             | t <sub>CLCL</sub> -20                |                           | 5   | ns   |
| t <sub>LLDV</sub>     | 43, 44 | ALE low to valid data in                                    |                             | 4t <sub>CLCL</sub> -150              |                           | 50  | ns   |
| t <sub>AVDV</sub>     | 43, 44 | Address to valid data in                                    |                             | 4.5t <sub>CLCL</sub> -165            |                           | 60  | ns   |
| t <sub>LLWL</sub>     | 43, 44 | ALE low to $\overline{RD}$ or $\overline{WR}$ low           | 1.5t <sub>CLCL</sub> -50    | 1.5t <sub>CLCL</sub> +50             | 25                        | 125 | ns   |
| t <sub>AVWL</sub>     | 43, 44 | Address valid to $\overline{WR}$ low or $\overline{RD}$ low | 2t <sub>CLCL</sub> -75      |                                      | 25                        |     | ns   |
| t <sub>QVWX</sub>     | 43, 44 | Data valid to $\overline{WR}$ transition                    | 0.5t <sub>CLCL</sub> -25    |                                      | 0                         |     | ns   |
| t <sub>WHQX</sub>     | 43, 44 | Data hold after $\overline{WR}$                             | 0.5t <sub>CLCL</sub> -20    |                                      | 5                         |     | ns   |
| t <sub>QVWH</sub>     | 44     | Data valid to $\overline{WR}$ high                          | 3.5t <sub>CLCL</sub> -130   |                                      | 45                        |     | ns   |
| t <sub>RLAZ</sub>     | 43, 44 | $\overline{RD}$ low to address float                        |                             | 0                                    |                           | 0   | ns   |
| t <sub>WHLH</sub>     | 43, 44 | $\overline{RD}$ or $\overline{WR}$ high to ALE high         | 0.5t <sub>CLCL</sub> -20    | 0.5t <sub>CLCL</sub> +20             | 5                         | 45  | ns   |
| <b>External Clock</b> |        |   |                             |                                      |                           |     |      |
| t <sub>CHCX</sub>     | 46     | High time   | 20                          | t <sub>CLCL</sub> -t <sub>CLCX</sub> |                           |     | ns   |
| t <sub>CLCX</sub>     | 46     | Low time  | 20                          | t <sub>CLCL</sub> -t <sub>CHCX</sub> |                           |     | ns   |
| t <sub>CLCH</sub>     | 46     | Rise time   |                             | 5                                    |                           |     | ns   |
| t <sub>CHCL</sub>     | 46     | Fall time   |                             | 5                                    |                           |     | ns   |
| <b>Shift Register</b> |        |   |                             |                                      |                           |     |      |
| t <sub>XLXL</sub>     | 45     | Serial port clock cycle time                                | 6t <sub>CLCL</sub>          |                                      | 300                       |     | ns   |
| t <sub>QVXH</sub>     | 45     | Output data setup to clock rising edge                      | 5t <sub>CLCL</sub> -133     |                                      | 117                       |     | ns   |
| t <sub>XHQX</sub>     | 45     | Output data hold after clock rising edge                    | t <sub>CLCL</sub> -30       |                                      | 20                        |     | ns   |
| t <sub>XHDX</sub>     | 45     | Input data hold after clock rising edge                     | 0                           |                                      | 0                         |     | ns   |
| t <sub>XHDV</sub>     | 45     | Clock rising edge to input data valid                       |                             | 5t <sub>CLCL</sub> -133              |                           | 117 | ns   |

**NOTES:**

- Parameters are valid over operating temperature range unless otherwise specified.
- Load capacitance for port 0, ALE, and PSEN = 100 pF, load capacitance for all other outputs = 80 pF.
- Interfacing the microcontroller to devices with float times up to 45 ns is permitted. This limited bus contention will not cause damage to Port 0 drivers.
- Parts are tested to 2 MHz, but are guaranteed to operate down to 0 Hz.

# 80C51 8-bit Flash microcontroller family

# P89C51RA2/RB2/RC2/RD2xx

8KB/16KB/32KB/64KB ISP/IAP Flash with 512B/512B/512B/1KB RAM

## EXPLANATION OF THE AC SYMBOLS

Each timing symbol has five characters. The first character is always 't' (= time). The other characters, depending on their positions, indicate the name of a signal or the logical status of that signal. The designations are:

- A – Address
- C – Clock
- D – Input data
- H – Logic level high
- I – Instruction (program memory contents)
- L – Logic level low, or ALE

- P –  $\overline{\text{PSEN}}$
- Q – Output data
- R –  $\overline{\text{RD}}$  signal
- t – Time
- V – Valid
- W –  $\overline{\text{WR}}$  signal
- X – No longer a valid logic level
- Z – Float

**Examples:**  $t_{\text{AVLL}}$  = Time for address valid to ALE low.  
 $t_{\text{LLPL}}$  = Time for ALE low to  $\overline{\text{PSEN}}$  low.

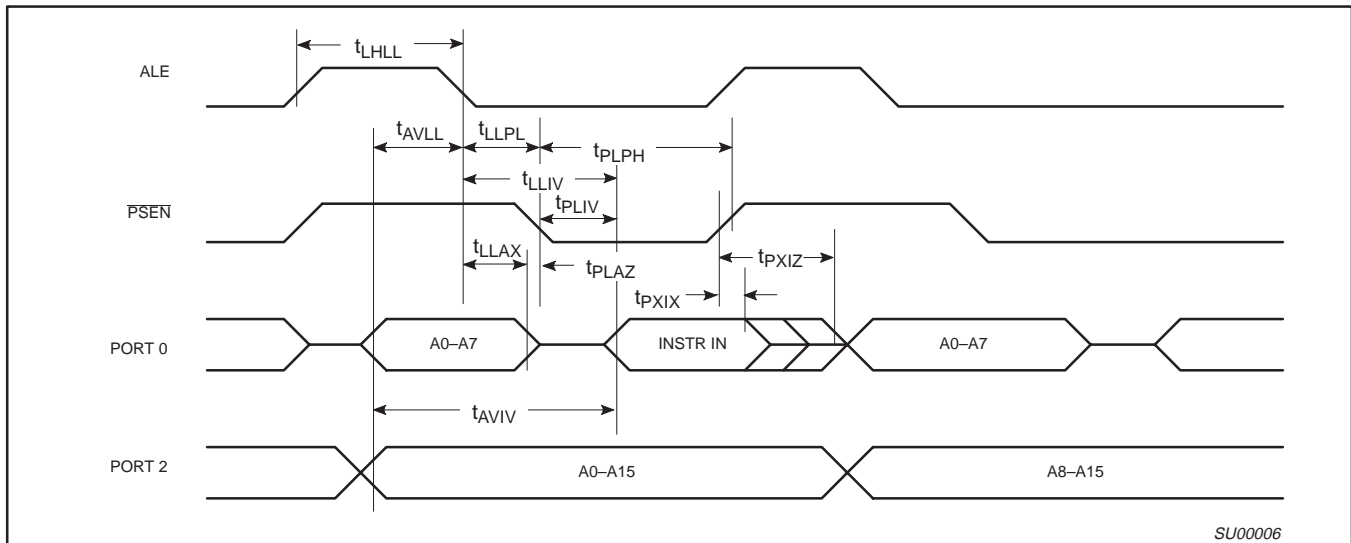


Figure 42. External Program Memory Read Cycle

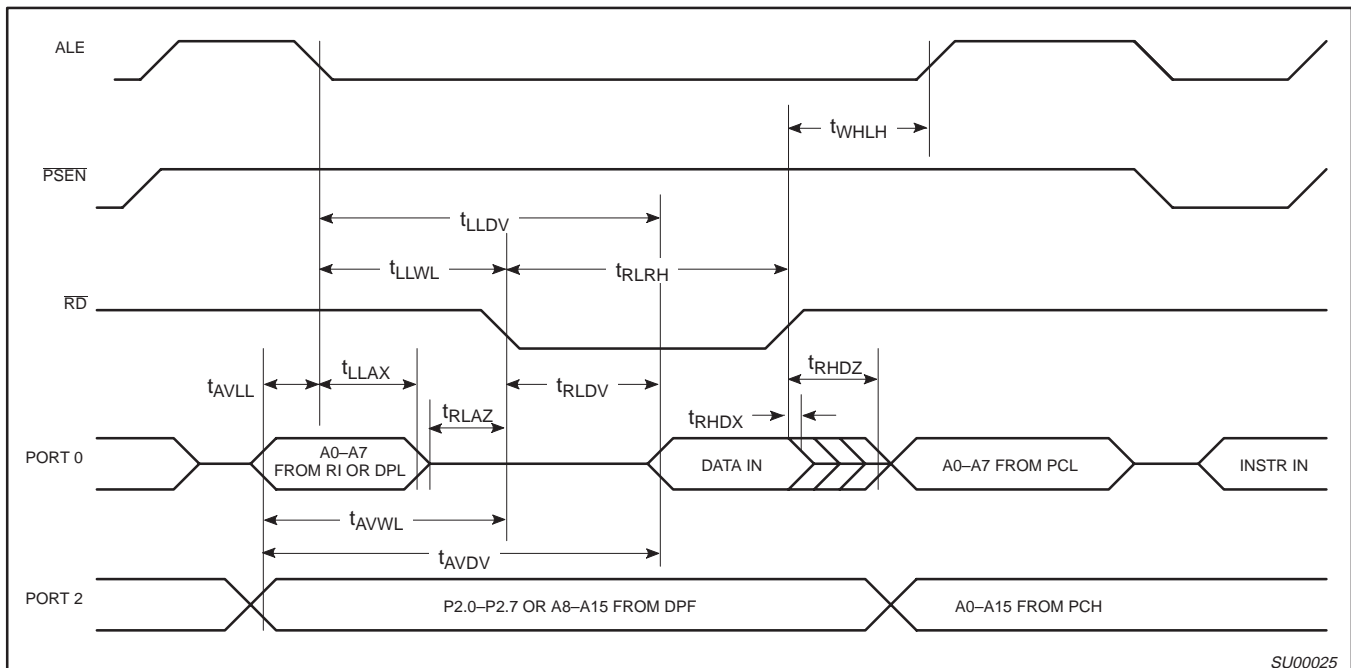


Figure 43. External Data Memory Read Cycle

80C51 8-bit Flash microcontroller family

P89C51RA2/RB2/RC2/RD2xx

8KB/16KB/32KB/64KB ISP/IAP Flash with 512B/512B/512B/1KB RAM

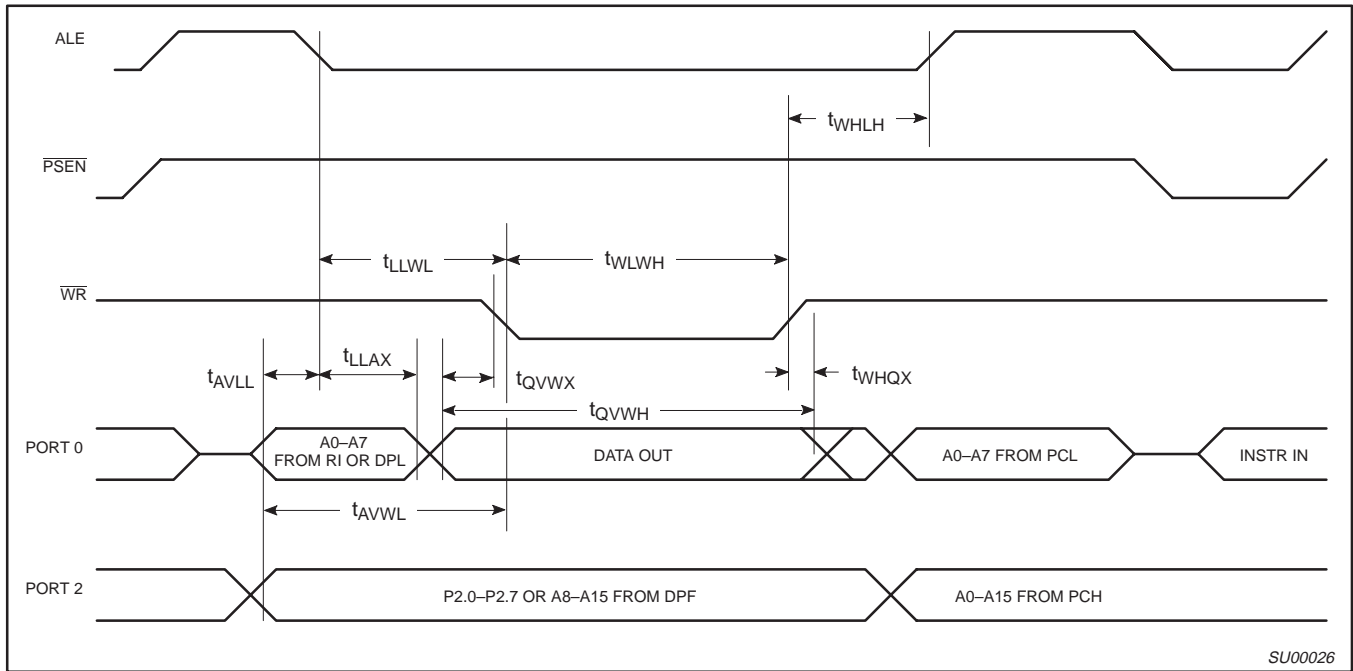


Figure 44. External Data Memory Write Cycle

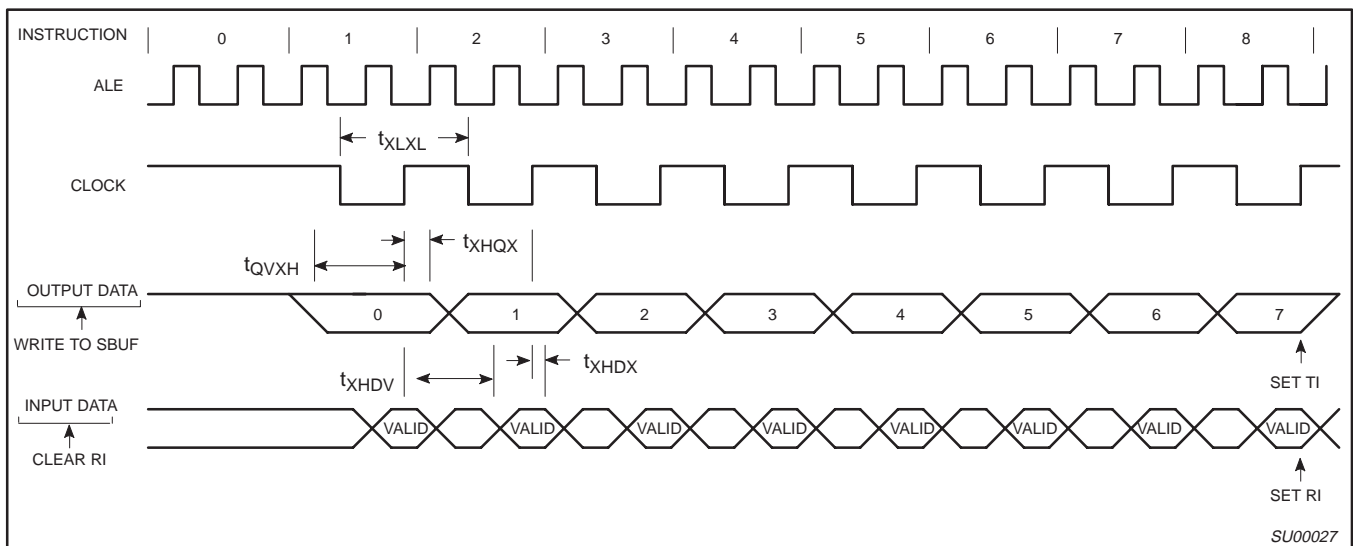


Figure 45. Shift Register Mode Timing

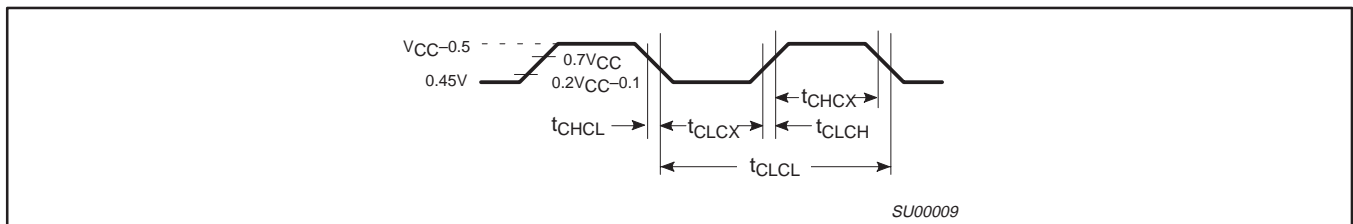


Figure 46. External Clock Drive

80C51 8-bit Flash microcontroller family

P89C51RA2/RB2/RC2/RD2xx

8KB/16KB/32KB/64KB ISP/IAP Flash with 512B/512B/512B/1KB RAM

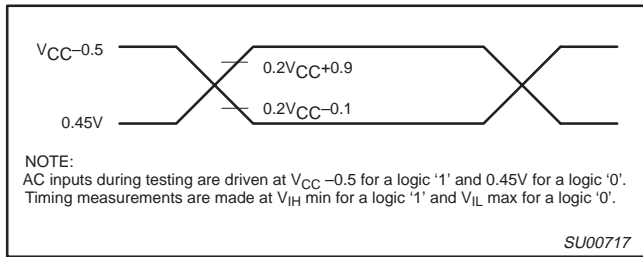


Figure 47. AC Testing Input/Output

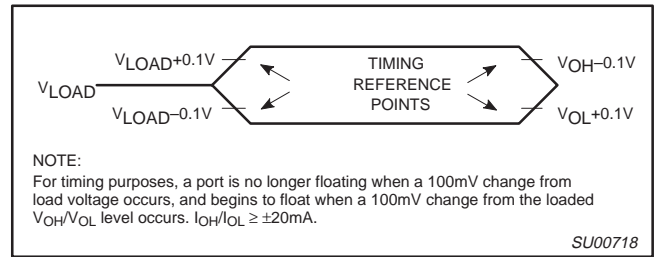


Figure 48. Float Waveform

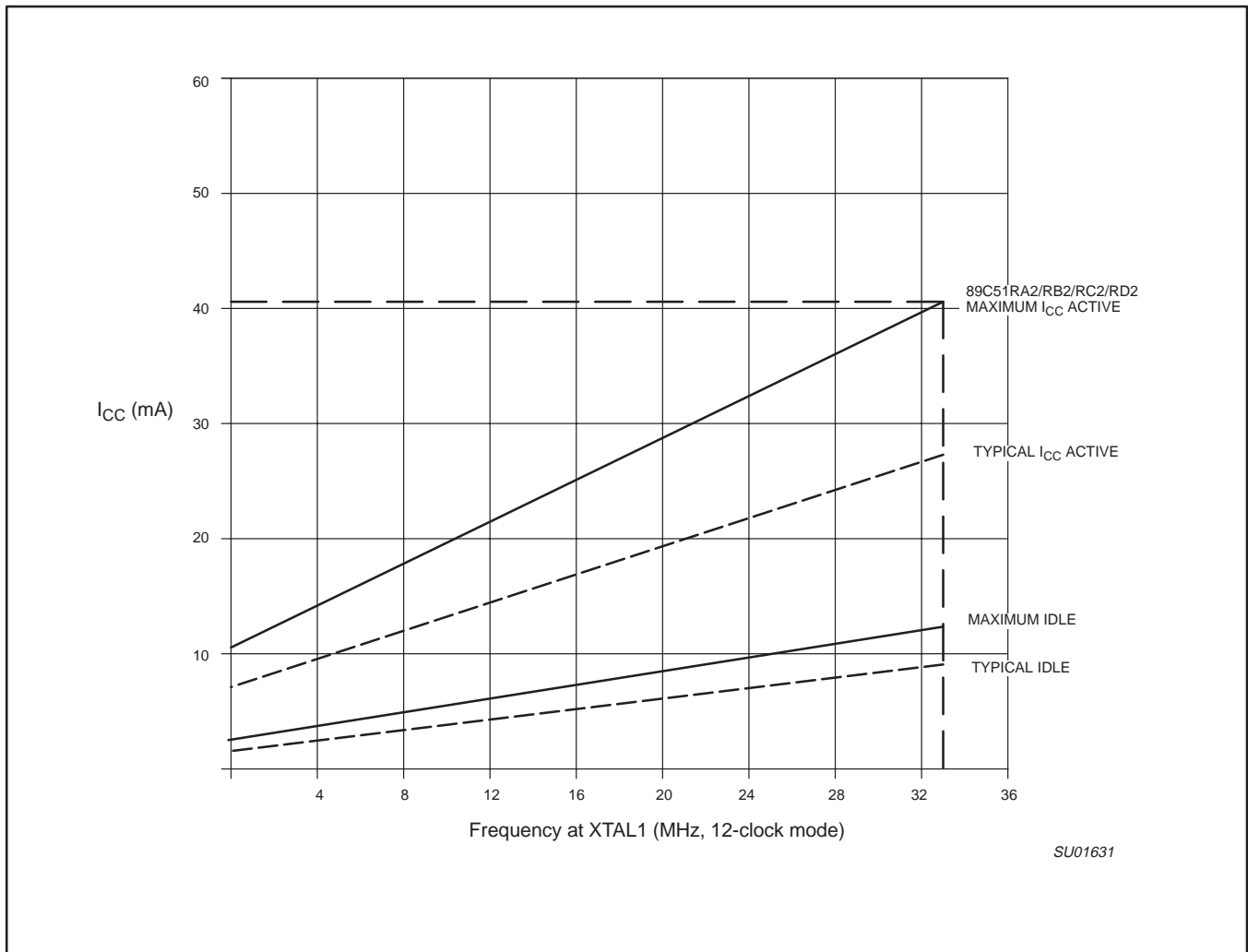


Figure 49.  $I_{CC}$  vs. FREQ  
Valid only within frequency specifications of the device under test

80C51 8-bit Flash microcontroller family

P89C51RA2/RB2/RC2/RD2xx

8KB/16KB/32KB/64KB ISP/IAP Flash with 512B/512B/512B/1KB RAM

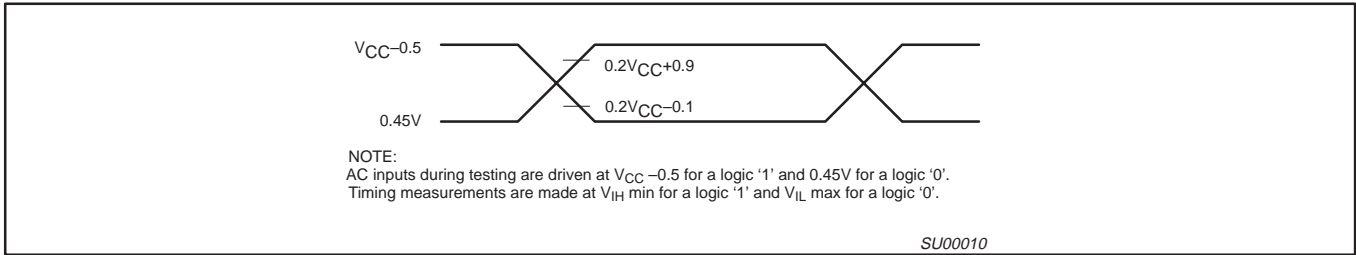


Figure 50. AC Testing Input/Output

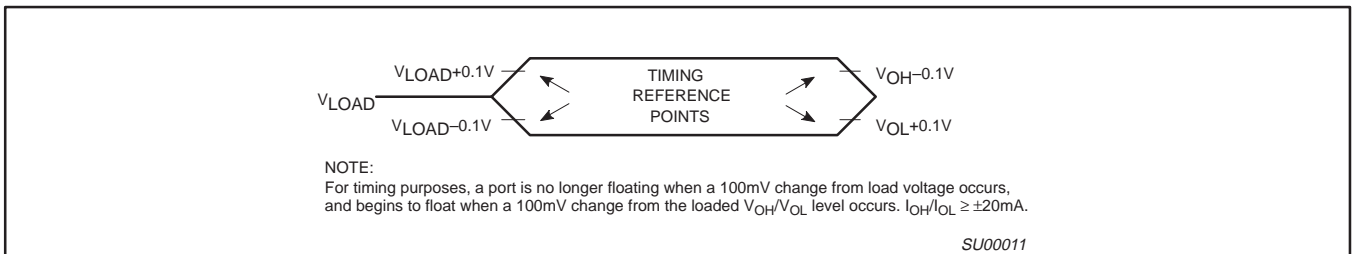


Figure 51. Float Waveform

80C51 8-bit Flash microcontroller family

P89C51RA2/RB2/RC2/RD2xx

8KB/16KB/32KB/64KB ISP/IAP Flash with 512B/512B/512B/1KB RAM

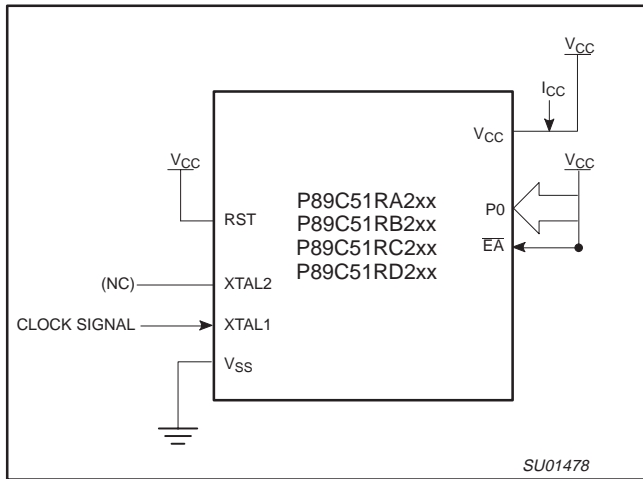


Figure 52.  $I_{CC}$  Test Condition, Active Mode,  $T_{amb} = 25\text{ }^{\circ}\text{C}$ . All other pins are disconnected

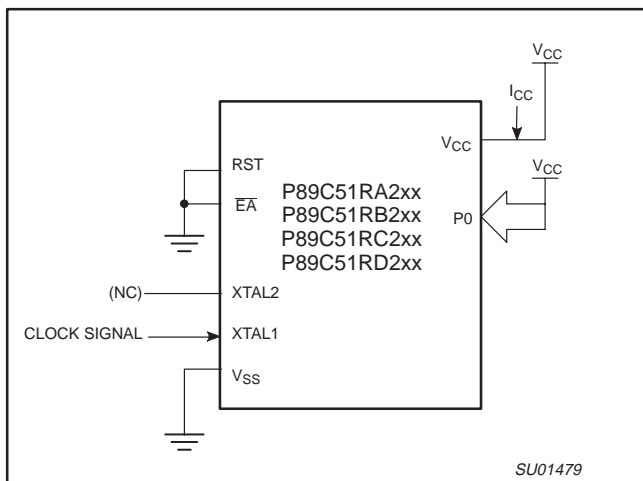


Figure 53.  $I_{CC}$  Test Condition, Idle Mode,  $T_{amb} = 25\text{ }^{\circ}\text{C}$ . All other pins are disconnected

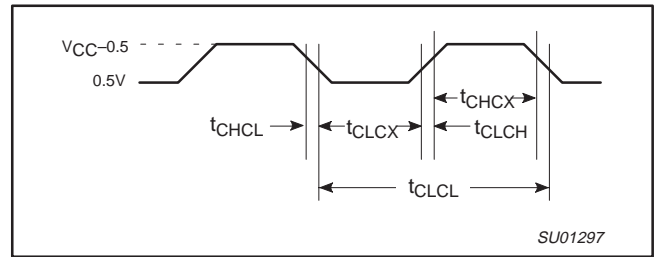


Figure 54. Clock Signal Waveform for  $I_{CC}$  Tests in Active and Idle Modes.  $t_{CLCL} = t_{CHCL} = 10\text{ ns}$

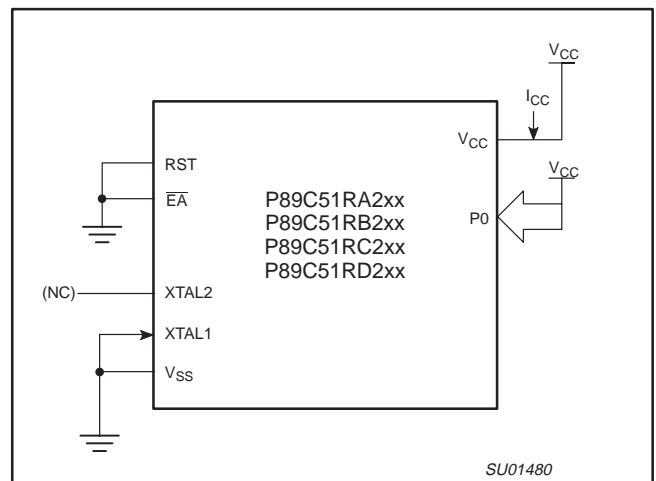


Figure 55.  $I_{CC}$  Test Condition, Power Down Mode. All other pins are disconnected;  $V_{CC} = 2\text{ V to }5.5\text{ V}$

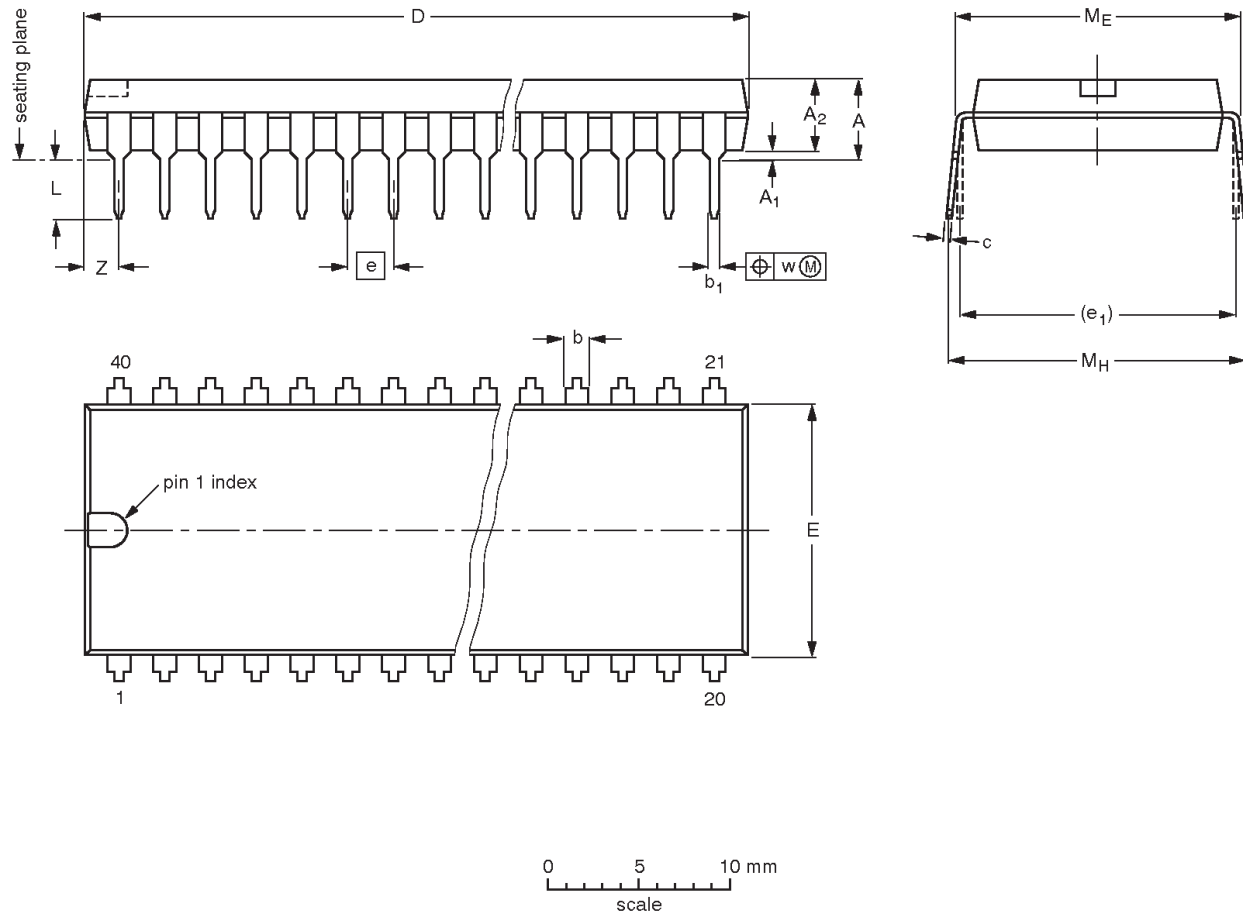
80C51 8-bit Flash microcontroller family

P89C51RA2/RB2/RC2/RD2xx

8KB/16KB/32KB/64KB ISP/IAP Flash with 512B/512B/512B/1KB RAM

DIP40: plastic dual in-line package; 40 leads (600 mil)

SOT129-1



DIMENSIONS (inch dimensions are derived from the original mm dimensions)

| UNIT   | A max. | A <sub>1</sub> min. | A <sub>2</sub> max. | b              | b <sub>1</sub> | c              | D <sup>(1)</sup> | E <sup>(1)</sup> | e    | e <sub>1</sub> | L            | M <sub>E</sub> | M <sub>H</sub> | w     | Z <sup>(1)</sup> max. |
|--------|--------|---------------------|---------------------|----------------|----------------|----------------|------------------|------------------|------|----------------|--------------|----------------|----------------|-------|-----------------------|
| mm     | 4.7    | 0.51                | 4.0                 | 1.70<br>1.14   | 0.53<br>0.38   | 0.36<br>0.23   | 52.50<br>51.50   | 14.1<br>13.7     | 2.54 | 15.24          | 3.60<br>3.05 | 15.80<br>15.24 | 17.42<br>15.90 | 0.254 | 2.25                  |
| inches | 0.19   | 0.020               | 0.16                | 0.067<br>0.045 | 0.021<br>0.015 | 0.014<br>0.009 | 2.067<br>2.028   | 0.56<br>0.54     | 0.10 | 0.60           | 0.14<br>0.12 | 0.62<br>0.60   | 0.69<br>0.63   | 0.01  | 0.089                 |

Note

1. Plastic or metal protrusions of 0.25 mm maximum per side are not included.

| OUTLINE VERSION | REFERENCES |        |           |  | EUROPEAN PROJECTION | ISSUE DATE           |
|-----------------|------------|--------|-----------|--|---------------------|----------------------|
|                 | IEC        | JEDEC  | EIAJ      |  |                     |                      |
| SOT129-1        | 051G08     | MO-015 | SC-511-40 |  |                     | 95-01-14<br>99-12-27 |



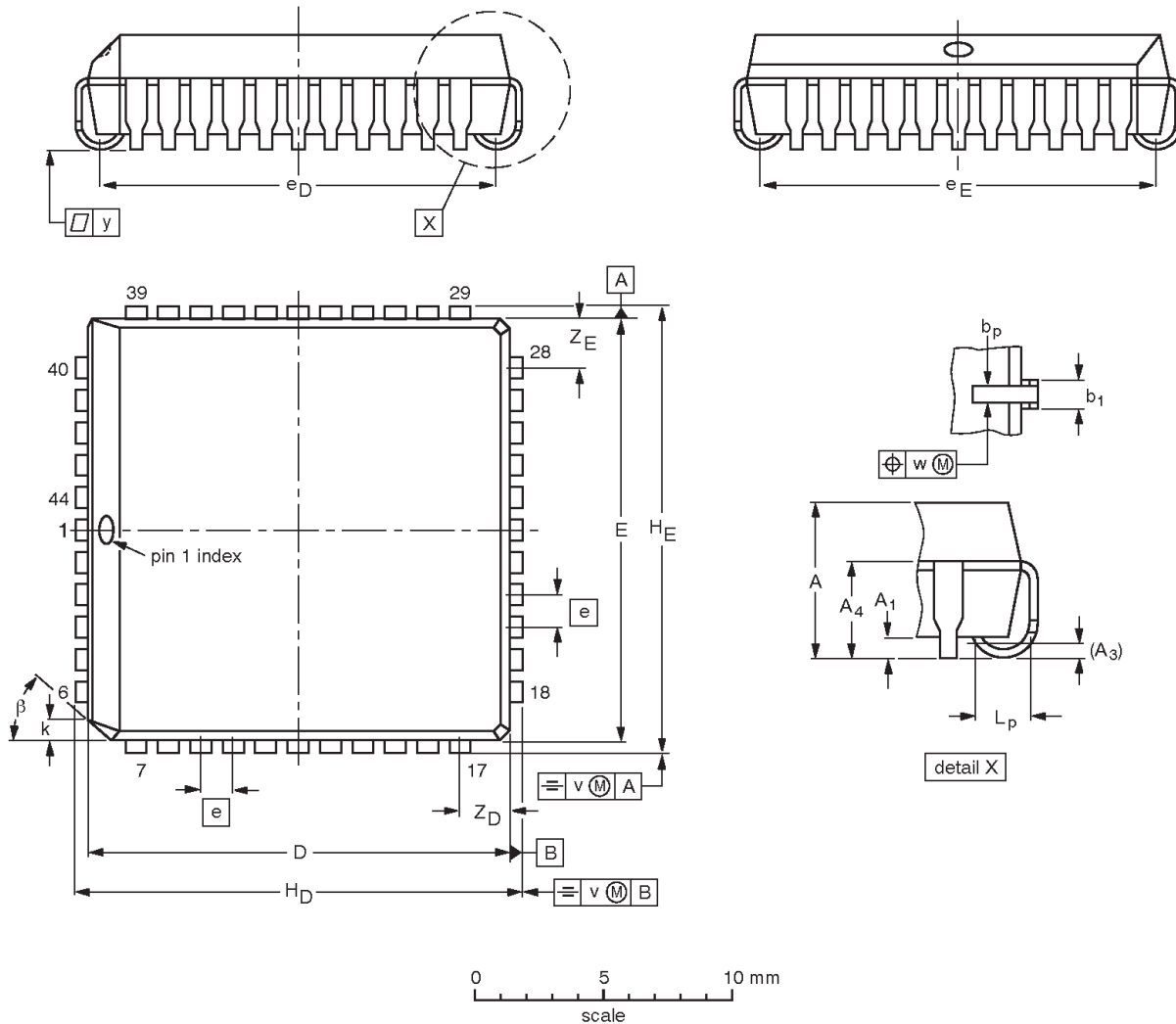
80C51 8-bit Flash microcontroller family

P89C51RA2/RB2/RC2/RD2xx

8KB/16KB/32KB/64KB ISP/IAP Flash with 512B/512B/512B/1KB RAM

PLCC44: plastic leaded chip carrier; 44 leads

SOT187-2



DIMENSIONS (mm dimensions are derived from the original inch dimensions)

| UNIT   | A              | A <sub>1</sub><br>min. | A <sub>3</sub> | A <sub>4</sub><br>max. | b <sub>p</sub> | b <sub>1</sub> | D <sup>(1)</sup> | E <sup>(1)</sup> | e    | e <sub>D</sub> | e <sub>E</sub> | H <sub>D</sub> | H <sub>E</sub> | k              | L <sub>p</sub> | v     | w     | y     | Z <sub>D</sub> <sup>(1)</sup><br>max. | Z <sub>E</sub> <sup>(1)</sup><br>max. | β   |
|--------|----------------|------------------------|----------------|------------------------|----------------|----------------|------------------|------------------|------|----------------|----------------|----------------|----------------|----------------|----------------|-------|-------|-------|---------------------------------------|---------------------------------------|-----|
| mm     | 4.57<br>4.19   | 0.51                   | 0.25           | 3.05                   | 0.53<br>0.33   | 0.81<br>0.66   | 16.66<br>16.51   | 16.66<br>16.51   | 1.27 | 16.00<br>14.99 | 16.00<br>14.99 | 17.65<br>17.40 | 17.65<br>17.40 | 1.22<br>1.07   | 1.44<br>1.02   | 0.18  | 0.18  | 0.1   | 2.16                                  | 2.16                                  | 45° |
| inches | 0.180<br>0.165 | 0.02                   | 0.01           | 0.12                   | 0.021<br>0.013 | 0.032<br>0.026 | 0.656<br>0.650   | 0.656<br>0.650   | 0.05 | 0.63<br>0.59   | 0.63<br>0.59   | 0.695<br>0.685 | 0.695<br>0.685 | 0.048<br>0.042 | 0.057<br>0.040 | 0.007 | 0.007 | 0.004 | 0.085                                 | 0.085                                 |     |

Note

1. Plastic or metal protrusions of 0.25 mm (0.01 inch) maximum per side are not included.

| OUTLINE VERSION | REFERENCES |        |          |  | EUROPEAN PROJECTION | ISSUE DATE           |
|-----------------|------------|--------|----------|--|---------------------|----------------------|
|                 | IEC        | JEDEC  | JEITA    |  |                     |                      |
| SOT187-2        | 112E10     | MS-018 | EDR-7319 |  |                     | 99-12-27<br>01-11-14 |

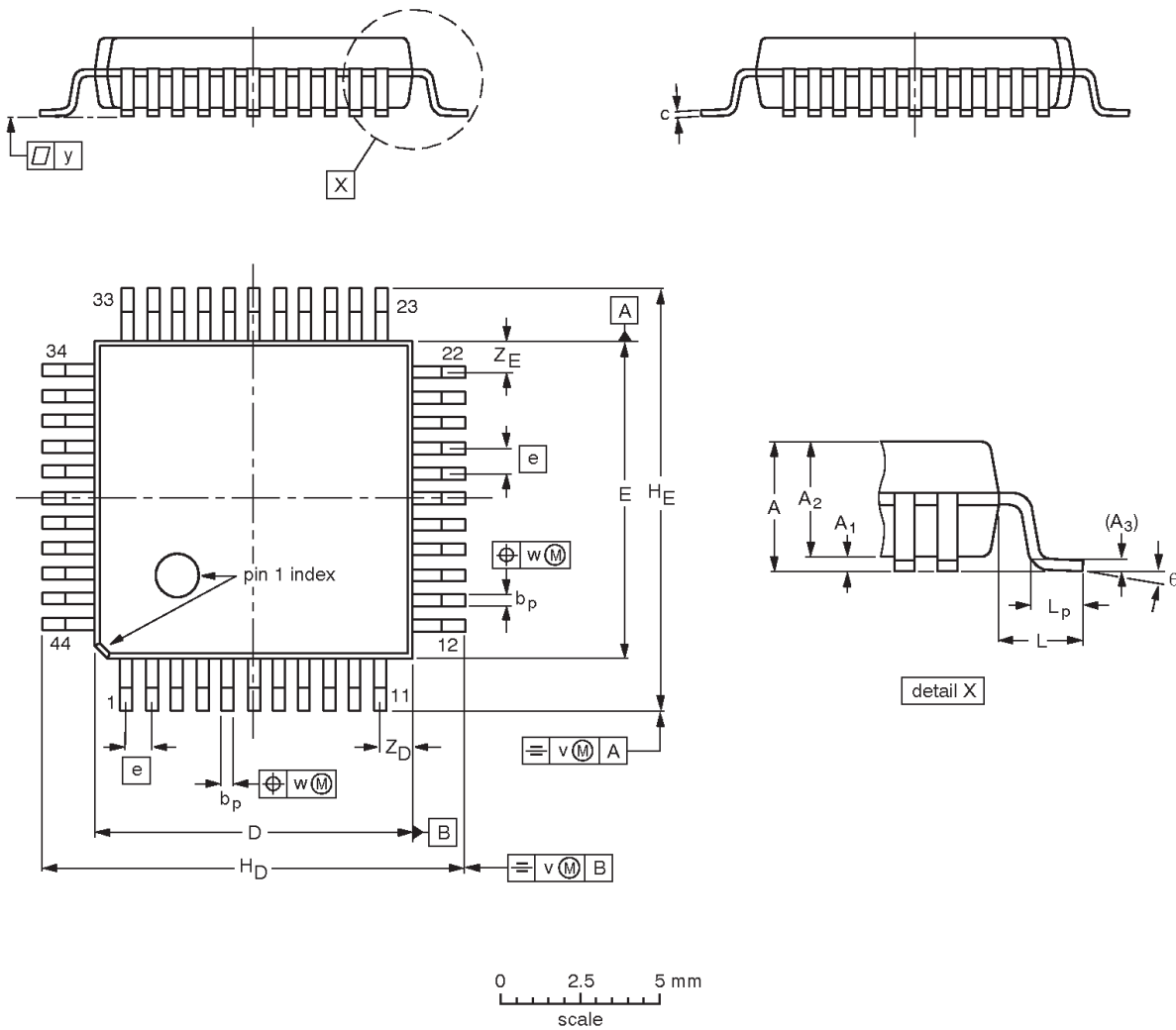
80C51 8-bit Flash microcontroller family

P89C51RA2/RB2/RC2/RD2xx

8KB/16KB/32KB/64KB ISP/IAP Flash with 512B/512B/512B/1KB RAM

LQFP44: plastic low profile quad flat package; 44 leads; body 10 x 10 x 1.4 mm

SOT389-1



DIMENSIONS (mm are the original dimensions)

| UNIT | A max. | A <sub>1</sub> | A <sub>2</sub> | A <sub>3</sub> | b <sub>p</sub> | c            | D <sup>(1)</sup> | E <sup>(1)</sup> | e    | H <sub>D</sub> | H <sub>E</sub> | L   | L <sub>p</sub> | v    | w    | y    | Z <sub>D</sub> <sup>(1)</sup> | Z <sub>E</sub> <sup>(1)</sup> | θ        |
|------|--------|----------------|----------------|----------------|----------------|--------------|------------------|------------------|------|----------------|----------------|-----|----------------|------|------|------|-------------------------------|-------------------------------|----------|
| mm   | 1.60   | 0.15<br>0.05   | 1.45<br>1.35   | 0.25           | 0.45<br>0.30   | 0.20<br>0.12 | 10.10<br>9.90    | 10.10<br>9.90    | 0.80 | 12.15<br>11.85 | 12.15<br>11.85 | 1.0 | 0.75<br>0.45   | 0.20 | 0.20 | 0.10 | 1.14<br>0.85                  | 1.14<br>0.85                  | 7°<br>0° |

Note

1. Plastic or metal protrusions of 0.25 mm maximum per side are not included.

| OUTLINE VERSION | REFERENCES |        |      |  | EUROPEAN PROJECTION | ISSUE DATE                      |
|-----------------|------------|--------|------|--|---------------------|---------------------------------|
|                 | IEC        | JEDEC  | EIAJ |  |                     |                                 |
| SOT389-1        | 136E08     | MS-026 |      |  |                     | <del>99-12-17</del><br>00-01-19 |

**80C51 8-bit Flash microcontroller family****P89C51RA2/RB2/RC2/RD2xx**8KB/16KB/32KB/64KB ISP/IAP Flash with 512B/512B/512B/1KB RAM

---

**REVISION HISTORY**

| <b>Date</b>  | <b>CPCN</b>    | <b>Description</b>                  |
|--------------|----------------|-------------------------------------|
| 2002 July 18 | 9397 750 10129 | Modified ordering information table |
| 2002 May 20  | 9397 750 09843 | Initial release                     |

**80C51 8-bit Flash microcontroller family****P89C51RA2/RB2/RC2/RD2xx**

8KB/16KB/32KB/64KB ISP/IAP Flash with 512B/512B/512B/1KB RAM

**Data sheet status**

| Data sheet status <sup>[1]</sup> | Product status <sup>[2]</sup> | Definitions  |
|----------------------------------|-------------------------------|--|
| Objective data                   | Development                   | This data sheet contains data from the objective specification for product development. Philips Semiconductors reserves the right to change the specification in any manner without notice.  |
| Preliminary data                 | Qualification                 | This data sheet contains data from the preliminary specification. Supplementary data will be published at a later date. Philips Semiconductors reserves the right to change the specification without notice, in order to improve the design and supply the best possible product.                                     |
| Product data                     | Production                    | This data sheet contains data from the product specification. Philips Semiconductors reserves the right to make changes at any time in order to improve the design, manufacturing and supply. Changes will be communicated according to the Customer Product/Process Change Notification (CPCN) procedure SNW-SQ-650A. |

[1] Please consult the most recently issued data sheet before initiating or completing a design.

[2] The product status of the device(s) described in this data sheet may have changed since this data sheet was published. The latest information is available on the Internet at URL <http://www.semiconductors.philips.com>.

**Definitions**

**Short-form specification** — The data in a short-form specification is extracted from a full data sheet with the same type number and title. For detailed information see the relevant data sheet or data handbook.

**Limiting values definition** — Limiting values given are in accordance with the Absolute Maximum Rating System (IEC 60134). Stress above one or more of the limiting values may cause permanent damage to the device. These are stress ratings only and operation of the device at these or at any other conditions above those given in the Characteristics sections of the specification is not implied. Exposure to limiting values for extended periods may affect device reliability.

**Application information** — Applications that are described herein for any of these products are for illustrative purposes only. Philips Semiconductors make no representation or warranty that such applications will be suitable for the specified use without further testing or modification.

**Disclaimers**

**Life support** — These products are not designed for use in life support appliances, devices or systems where malfunction of these products can reasonably be expected to result in personal injury. Philips Semiconductors customers using or selling these products for use in such applications do so at their own risk and agree to fully indemnify Philips Semiconductors for any damages resulting from such application.

**Right to make changes** — Philips Semiconductors reserves the right to make changes, without notice, in the products, including circuits, standard cells, and/or software, described or contained herein in order to improve design and/or performance. Philips Semiconductors assumes no responsibility or liability for the use of any of these products, conveys no license or title under any patent, copyright, or mask work right to these products, and makes no representations or warranties that these products are free from patent, copyright, or mask work right infringement, unless otherwise specified.

**Contact information**

For additional information please visit  
<http://www.semiconductors.philips.com>. Fax: +31 40 27 24825

© Koninklijke Philips Electronics N.V. 2002  
 All rights reserved. Printed in U.S.A.

Date of release: 07-02

For sales offices addresses send e-mail to:  
[sales.addresses@www.semiconductors.philips.com](mailto:sales.addresses@www.semiconductors.philips.com)

Document order number:

9397 750 10129

*Let's make things better.*