

Advance Product Information VSC7122

Quad Port Bypass Circuit for 1.0625 Gbit/sec
Fibre Channel Arbitrated Loop Disk Arrays

Features

- Supports ANSI X3T11 1.0625 Gbit/sec FC-AL Disk Attach for Resiliency
- Fully Differential for Minimum Jitter Accumulation.
- Quad PBC's in Single Package
- TTL Bypass Select
- High Speed, PECL I/O's Referenced to V_{DD} .
- 0.35W Typical Power Dissipation
- 3.3V Power Supply
- 44-Pin, 10mm PQFP

General Description

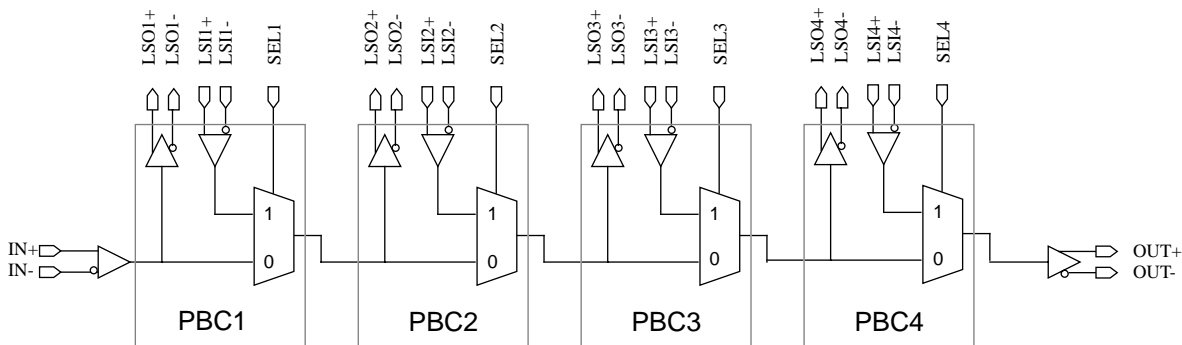
The VSC7122 is a Quad Port Bypass Circuit (PBC). Four Fibre Channel PBC's are cascaded into a single part to minimize part count, cost, high frequency routing, and jitter accumulation. Port Bypass Circuits are used to provide resiliency in Fibre Channel Arbitrated Loop (FC-AL) architectures. PBC's are used within FC-AL disk arrays to allow for resiliency and hot swapping of FC-AL drives.

A Port Bypass Circuit is a 2:1 Multiplexer with two modes of operation: NORMAL and BYPASS. In NORMAL mode, the disk drive is connected to the loop. Data goes from the 7122's L_SO pin to the Disk Drive RX input and data from the disk drive TX output goes to the 7122's L_SIn pin. Refer to Figure 2 for disk drive application. In BYPASS mode, the disk drive is either absent or non-functional and data bypasses to the next available disk drive. Normal mode is enabled with a HIGH on the SEL pin and BYPASS mode is enabled by a LOW on the SEL pin. Direct Attach Fibre Channel Disk Drives have an "LRC Interlock" signal defined to control the SEL function.

Using a VSC7122 in a single loop of a disk array is illustrated in Figure 2: "Disk Array Application". FC-AL drives are all expected to be dual loop. The VSC7122 is cascaded in a manner such that all the 7122's internal PBC's are used in the same loop. For dual loop implementations, two or more VSC7122's should be used. Allocating each VSC7122 to only one of two loops preserves redundancy, prevents a single point of failure and lends itself to on-line maintainability.

The VSC7122 is very similar to the VSC7121 except that LSO+ outputs are all full power outputs identical to OUT. This is useful in passive backplanes to provide additional amplitude on long traces.

7122 Block Diagram



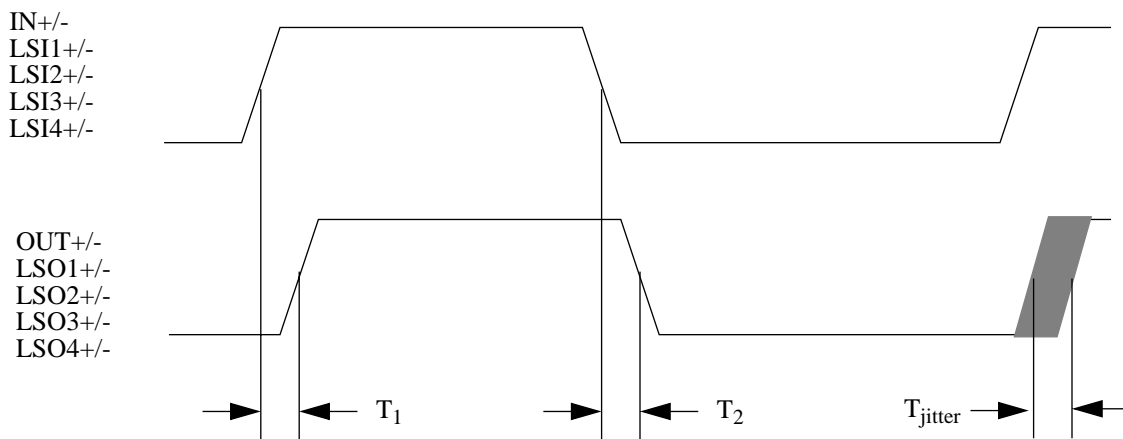
The VSC7122 can be cascaded through the IN and OUT pins for arrays of disk drives greater than 4. For disk arrays with a noninteger multiple of 4 disk drives, the unused PBC's can be hardwired to bypass with an external pulldown resistor.

Table 1 is a truth table detailing the data flow through the VSC7122. Figure 1 shows a timing diagram of the data relationship in the VSC7122. There are no critical timing (setup, hold, or delay) parameters for the VSC7122 as this part routes the serial data encoded with the baud clock that is extracted by a Fibre Channel receiver. The primary AC parameter of importance is the jitter or data eye degradation inserted by the port bypass circuit. The design of the VSC7122 minimizes jitter accumulation by using fully differential circuits. This provides for symmetric rise and fall delays as well as noise rejection.

Table 1: Truth Table

SELECT STATE				DATA OUTPUTS				
SEL1	SEL2	SEL3	SEL4	OUT	SO4	SO3	SO2	SO1
L	L	L	L	IN	IN	IN	IN	IN
L	L	L	H	SI4	IN	IN	IN	IN
L	L	H	L	SI3	SI3	IN	IN	IN
L	H	L	L	SI2	SI2	SI2	IN	IN
H	L	L	L	SI1	SI1	SI1	SI1	IN
H	H	H	H	SI4	SI3	SI2	SI1	IN

Figure 1: Timing Waveforms



Advance Product Information
VSC7122

*Quad Port Bypass Circuit for 1.0625 Gbit/sec
 Fibre Channel Arbitrated Loop Disk Arrays*

Figure 2: Disk Array Application

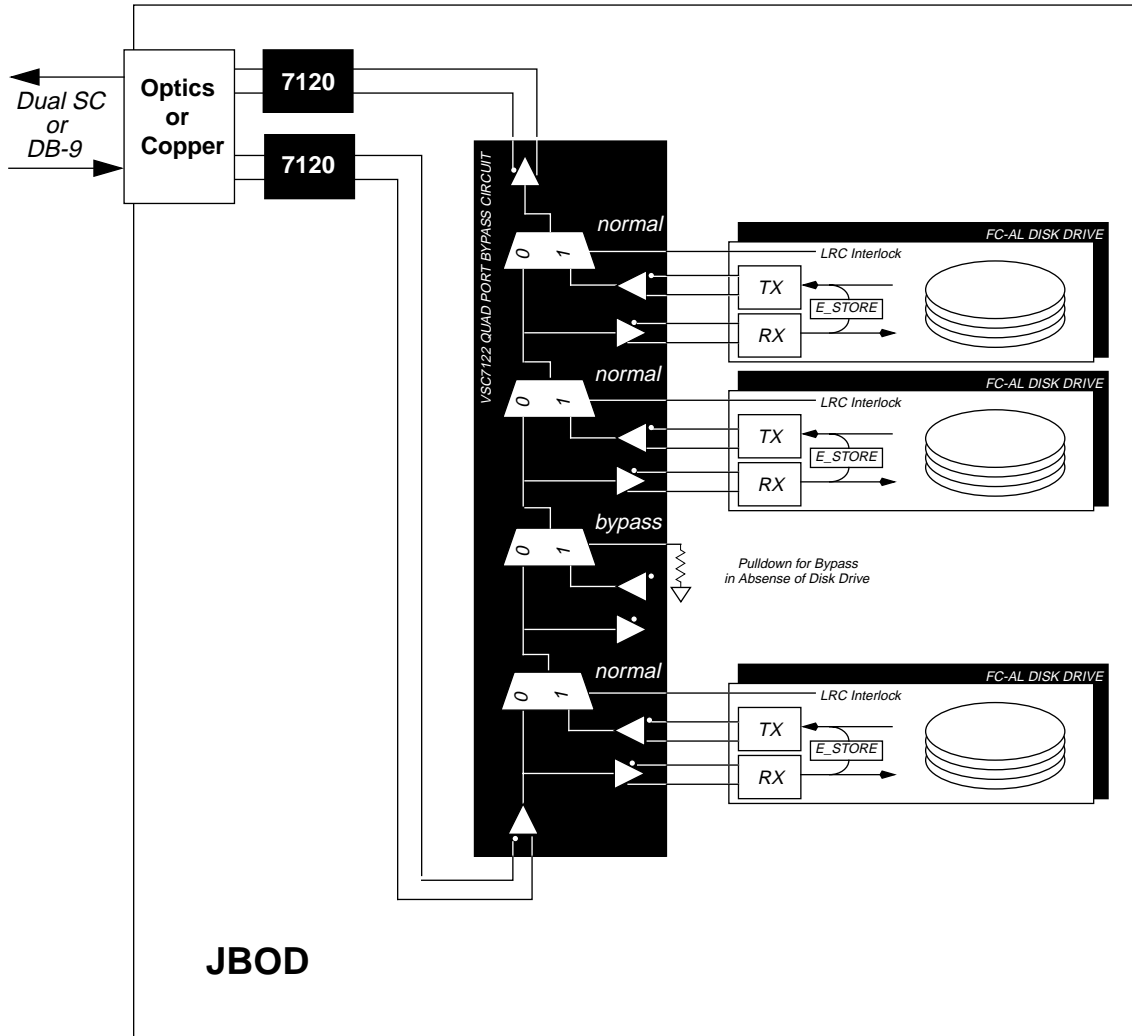


Table 2: AC Characteristics (Over recommended operating conditions).

Parameters	Description	Min.	Max.	Units	Conditions
T ₁	Flow-Through Propagation Delay Rising Edge to Rising Edge		7.0	ns	Delay with all circuits bypassed. 75 Ohm Load
T ₂	Flow through Propagation Delay Falling Edge to Falling Edge		7.0	ns	Delay with all circuits bypassed. 75 Ohm load.
T _{SDR} , T _{SDF}	Serial data rise and fall time	—	300	ps.	20% to 80%, tested on a sample basis

Table 3: DC Characteristics (Over recommended operating conditions).

Parameters	Description	Min	Typ	Max	Units	Conditions
V _{IH(TTL)}	Input HIGH voltage (SEL - TTL)	2.0	—	5.5	V	I _{IH} < 6.6 mA @ V _{IH} = 5.5 V
V _{IL(TTL)}	Input LOW voltage (SEL - TTL)	0	—	0.8	V	—
I _{IH(TTL)}	Input HIGH current (SEL - TTL)	—	50	500	μA	V _{IN} = 2.4 V
I _{IL(TTL)}	Input LOW current (SEL - TTL)	—	—	-500	μA	V _{IN} = 0.5 V
V _{DD}	Supply voltage	3.10	—	3.50	V	V _{DD} = 3.30V ± 5%
I _{DD}	Supply current	—	—	150	mA	Outputs open, V _{DD} = V _{DD} max
P _D	Power Dissipation		0.35	0.5	W	Outputs open, V _{DD} = V _{DD} max
ΔV _{IN}	Receiver differential peak-to-peak Input Sensitivity, IN+/- & L_SIn+/-	300		2600	mVp-p	AC Coupled. Internally biased at V _{DD} /2
ΔV _{OUT50}	Output differential peak-to-peak voltage swing	1000	—	2200	mVp-p	50Ω to V _{DD} - 2.0 V
ΔV _{OUT75}	Output differential peak-to-peak voltage swing	1200		2200	mVp-p	75Ω to V _{DD} - 2.0 V

Advance Product Information
VSC7122

Quad Port Bypass Circuit for 1.0625 Gbit/sec
 Fibre Channel Arbitrated Loop Disk Arrays

Absolute Maximum Ratings (1)

TTL Power Supply Voltage, (V_{DD})	0.5V to +4V
PECL DC Input Voltage, (V_{INP}).....	-0.5V to $V_{DD} + 0.5V$
TTL DC Input Voltage, (V_{INT}).....	-0.5V to 5.5V
DC Voltage Applied to Outputs for High Output State, (V_{INTTL}).....	-0.5V to $V_{DD} + 0.5V$
TTL Output Current (I_{OUT}), (DC, Output High).....	50mA
PECL Output Current, (I_{OUT}), (DC, Output High)	-50mA
Case Temperature Under Bias, (T_C).....	-55° to +125°C
Storage Temperature, (T_{STG}).....	-65° to + 150°C
Maximum Input ESD	1500 V

Recommended Operating Conditions(2)

Power Supply Voltage, (V_{DD}).....	+3.1V to 3.5V
Ambient Operating Temperature Range, (T)	0°C to +70°C

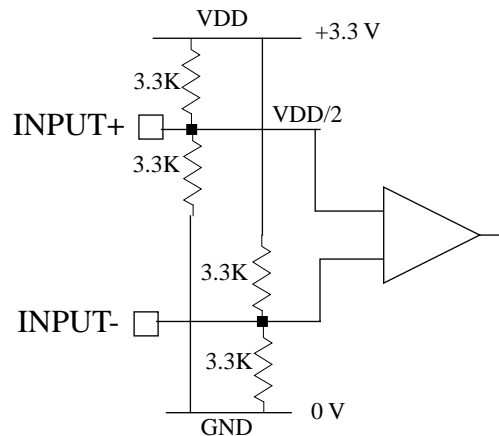
Notes:

- 1) CAUTION: Stresses listed under “Absolute Maximum Ratings” may be applied to devices one at a time without causing permanent damage. Functionality at or above the values listed is not implied. Exposure to these values for extended periods may affect device reliability.
- 2) Vitesse guarantees the functional and parametric operation of the part under “Recommended Operating Conditions: except where specifically noted in the AC and DC Parametric Tables

Input Structures

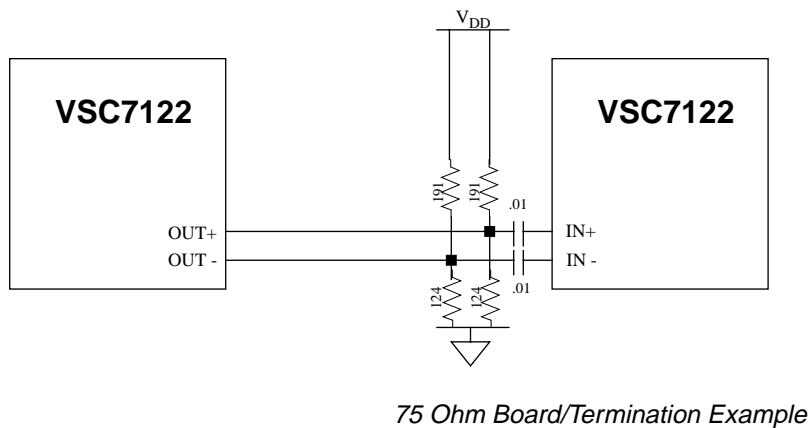
Two input structures exist in this part; TTL and High Speed, Differential Inputs. The TTL Inputs will interface with any TTL or 3.3V or 5V CMOS outputs. The High Speed, Differential Inputs are intended to be AC Coupled per the FC-PH specification. Being AC Coupled, the High Speed, Differential Input buffers are biased at $V_{DD}/2$. Refer to Figure 3 for High Speed, Differential Input structure.

Figure 3: High Speed, Differential Inputs (L_SIn/IN)



Because the VSC7122 output buffers are PECL outputs referenced to V_{DD} , the High Speed Differential outputs may not be direct coupled to the high speed differential inputs. One example of how to differentially cascade the two VSC7122 is shown in Figure 4.

Figure 4: Cascading Two VSC7122



Advance Product Information

VSC7122

Quad Port Bypass Circuit for 1.0625 Gbit/sec
Fibre Channel Arbitrated Loop Disk Arrays

Figure 5: Pin Diagram

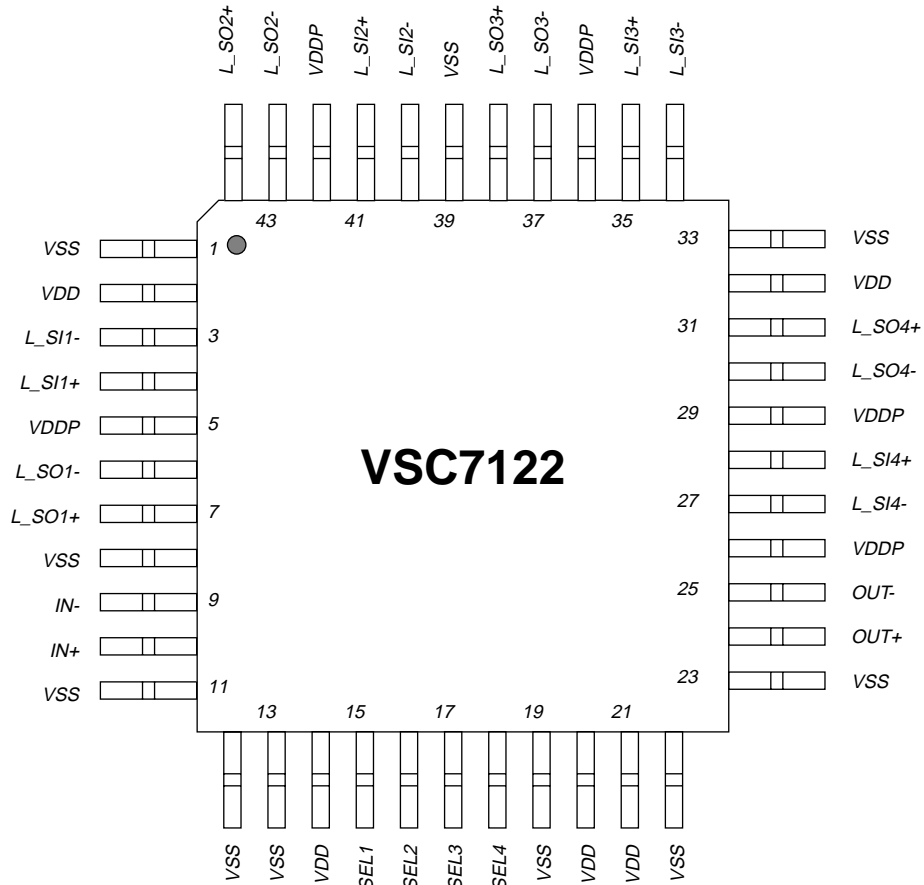


Table 4: Pin Description

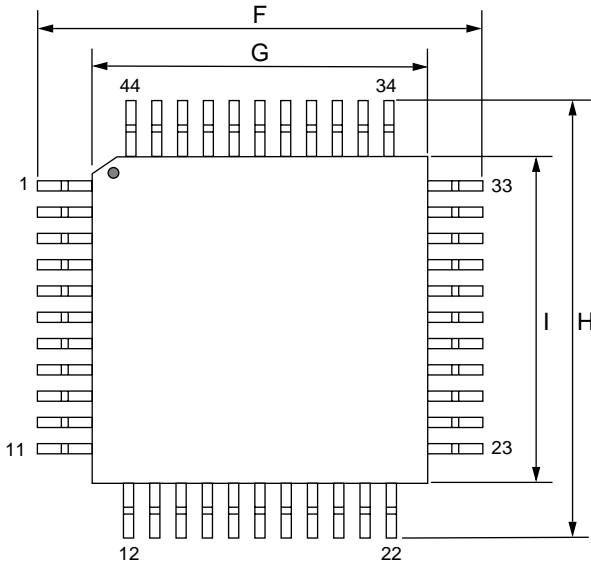
<i>Pin #</i>	<i>Name</i>	<i>Description</i>
9, 10	IN-, IN+	INPUT - Differential (Biased at VDD/2). Serial inputs from the downstream PBC port.
3, 4	L_SI1-, L_SI1+	INPUT - Differential (Biased at VDD/2). Serial input from the local transmitter on PBC port 1.
40, 41	L_SI2-, L_SI2+	INPUT - Differential (Biased at VDD/2). Serial input from the local transmitter on PBC port 2.
34, 35	L_SI3-, L_SI3+	INPUT - Differential (Biased at VDD/2). Serial input from the local transmitter on PBC port 3.
27, 28	L_SI4-, L_SI4+	INPUT - Differential (Biased at VDD/2). Serial input from the local transmitter on PBC port 4.
15-18	SEL1, SEL2, SEL3, SEL4	INPUT - TTL. A LOW selects the "BYPASS" mode causing the output of the previous port to propagate to next port or OUT. When HIGH, this signal selects "NORMAL" mode which routes the previous port to the local output, L_SOn, and routes the local input, L_SIn, to the next port or OUT.
6, 7	L_SO1-, L_SO1+	OUTPUT - Differential Serial output driving the local receiver corresponding to PBC port 1.
43, 44	L_SO2-, L_SO2+	OUTPUT - Differential Serial output driving the local receiver corresponding to PBC port 2.
37, 38	L_SO3-, L_SO3+	OUTPUT - Differential Serial output driving the local receiver corresponding to PBC port 3.
30, 31	L_SO4-, L_SO4+	OUTPUT - Differential Serial output driving the local receiver corresponding to PBC port 4.
25, 24	OUT-, OUT+	OUTPUT - Differential Serial output driving the upstream PBC port.
2, 14, 20-21, 32	VDD	Digital Logic Power Supply. 3.3V Supply for digital logic.
5, 26, 29 36, 42	VDDP	High-Speed Output Power Supply. 3.3V Supply for PECL drivers.
1, 8, 11-13, 19, 22-23, 33, 39	VSS	Ground. Ground pins are physically attached to the die mounting surface, and are an important part of the thermal path. For best thermal performance, all ground pins should be connected to a ground plane, using multiple vias if possible.

Advance Product Information VSC7122

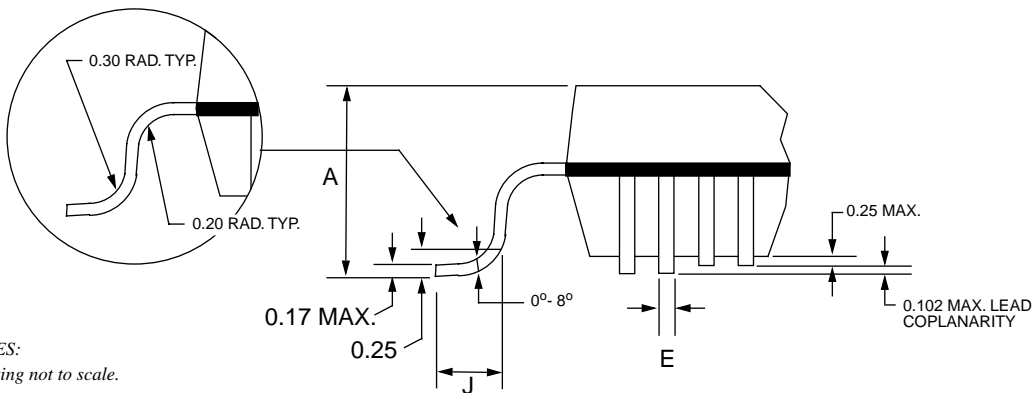
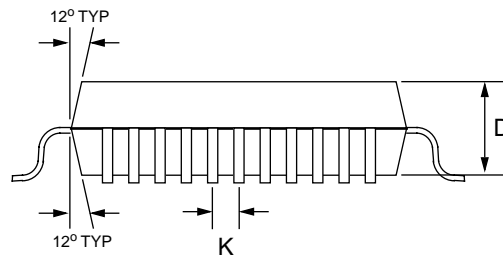
Quad Port Bypass Circuit for 1.0625 Gbit/sec
Fibre Channel Arbitrated Loop Disk Arrays

Package Information

44-Pin PQFP 10 x 10 mm



Item	mm	Tol.
A	2.35	MAX
D	2.00	+0.10
E	0.35	±.05
F	13.20	±.25
G	10.00	±.10
H	13.20	±.25
I	10.00	±.10
J	0.8	+0.15 / -0.10
K	0.80	BASIC



NOTES:
Drawing not to scale.
Cavity up
All units in mm unless otherwise noted.

Package Thermal Characteristics

The VSC7122 is packaged into a standard plastic quad flatpack with an embedded, but unexposed thermal slug. This package adheres to industry standard EIAJ footprints for a 10x10mm body, 44 lead PQFP. The package construction is as shown in Figure 6. The 44 PQFP with embedded slug has the thermal properties shown in Table 5. This package allows the VSC7122 to operate with ambient temperatures up to 70°C in still air.

Figure 6: Package Cross Reference

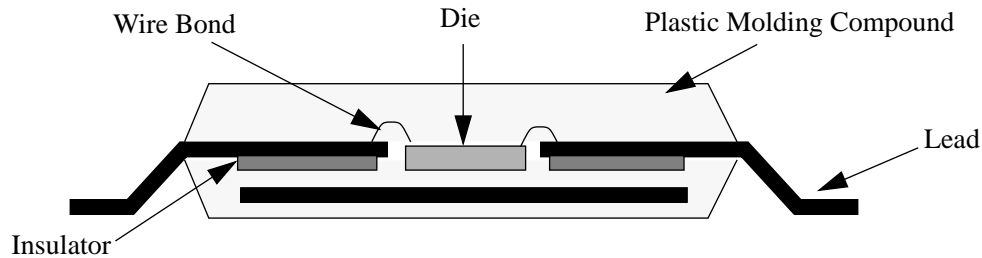


Table 5: 44 PQFP Thermal Resistance

<i>Symbol</i>	<i>Description</i>	<i>Value</i>	<i>Units</i>
θ_{ca-0}	Thermal resistance from case to ambient, still air	50	°C/W
θ_{ca-100}	Thermal resistance from case to ambient, 100 LFPM air	43	°C/W
θ_{ca-200}	Thermal resistance from case to ambient, 200 LFPM air	39	°C/W
θ_{ca-400}	Thermal resistance from case to ambient, 400 LFPM air	36	°C/W
θ_{ca-600}	Thermal resistance from case to ambient, 600 LFPM air	34	°C/W

Moisture Sensitivity Level

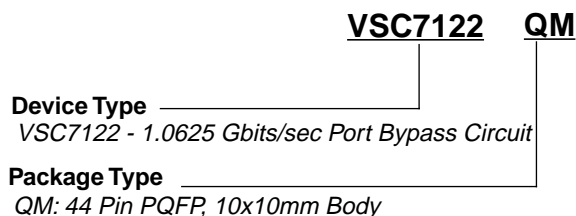
This device is rated with a moisture sensitivity level 3 rating. Refer to Application Note AN-20 for appropriate handling procedures.

Advance Product Information VSC7122

Quad Port Bypass Circuit for 1.0625 Gbit/sec
Fibre Channel Arbitrated Loop Disk Arrays

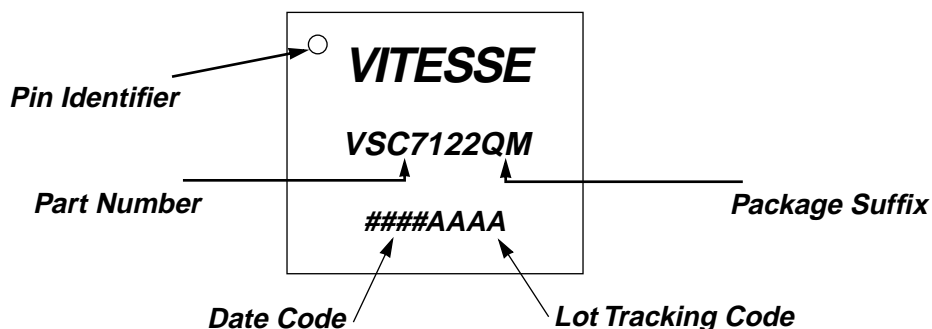
Ordering Information

The order number for this product is formed by a combination of the device number and package type.



Marking Information

The package is marked with three lines of text as shown below (QM Package):



Notice

This document contains information about a new product during its fabrication or early sampling phase of development. The information in this document is based on design targets, simulation results or early prototype test results. Characteristic data and other specifications are subject to change without notice. Therefore the reader is cautioned to confirm that this datasheet is current prior to design or order placement.

Warning

Vitesse Semiconductor Corporation's product are not intended for use in life support appliances, devices or systems. Use of a Vitesse product in such applications without the written consent is prohibited.

*Quad Port Bypass Circuit for 1.0625 Gbit/sec
Fibre Channel Arbitrated Loop Disk Arrays*

Advance Product Information
VSC7122

