



Genesis Microchip Publication

PRELIMINARY DATA SHEET

gm2121

SXGA LCD Monitor Controller with Integrated Analog Interface and Dual LVDS Transmitter

Publication Number: C2121-DAT-01F
Publication Date: December 2002

Genesis Microchip Inc.

165 Commerce Valley Dr. West • Thornhill • ON • Canada • L3T 7V8 • Tel: (905) 889-5400 • Fax: (905) 889-5422
2150 Gold Street • PO Box 2150 • Alviso • CA • USA • 95002 • Tel: (408) 262-6599 • Fax: (408) 262-6365
4F, No. 24, Ln 123, Sec 6, Min-Chung E. Rd. • Taipei • Taiwan • Tel: (2) 2791-0118 • Fax: (2) 2791-0196
143-37 Hyundai Tower • Unit 902 • Samsung-dong • Kangnam-gu • Seoul • Korea • 135-090 • Tel: (82-2) 553-5693 • Fax: (82-2) 552-4942
www.genesis-microchip.com / info@genesis-microchip.com

The following are trademarks or registered trademarks of Genesis Microchip, Inc.:

Genesis™, Genesis Display Perfection™, ESM™, RealColor™, Ultra-Reliable DVI™, Real Recovery™, Sage™, JagASM™, SureSync™, Adaptive Backlight Control™, Faroudja™, DCDi™, TrueLife™, IntelliComb™

Other brand or product names are trademarks of their respective holders.

© Copyright 2002 Genesis Microchip Inc. All Rights Reserved.

Genesis Microchip Inc. reserves the right to change or modify the information contained herein without notice. It is the customer's responsibility to obtain the most recent revision of the document. Genesis Microchip Inc. makes no warranty for the use of its products and bears no responsibility for any errors or omissions that may appear in this document.

Table Of Contents

1	Overview	8
1.1	gm2121 System Design Example.....	8
1.2	gm2121 Features	9
2	GM2121 Pinout.....	10
3	GM2121 Pin List.....	11
4	Functional Description	16
4.1	Clock Generation.....	16
4.1.1	Using the Internal Oscillator with External Crystal	17
4.1.2	Using an External Clock Oscillator.....	19
4.1.3	Clock Synthesis.....	20
4.2	Chip Initialization.....	21
4.2.1	Hardware Reset.....	21
4.2.2	Correct Power Sequencing.....	22
4.3	Analog to Digital Converter	22
4.3.1	ADC Pin Connection.....	23
4.3.2	ADC Characteristics.....	23
4.3.3	Clock Recovery Circuit.....	24
4.3.4	Sampling Phase Adjustment.....	25
4.3.5	ADC Capture Window	25
4.4	Test Pattern Generator (TPG).....	26
4.5	Input Format Measurement	26
4.5.1	HSYNC / VSYNC Delay	27
4.5.2	Horizontal and Vertical Measurement	28
4.5.3	Format Change Detection.....	28
4.5.4	Watchdog	28
4.5.5	Internal Odd/Even Field Detection (For Interlaced Inputs to ADC Only).....	28
4.5.6	Input Pixel Measurement	29
4.5.7	Image Phase Measurement.....	29
4.5.8	Image Boundary Detection.....	29
4.5.9	Image Auto Balance	29
4.6	RealColor™ Digital Color Controls.....	29
4.6.1	RealColor™ Flesh tone Adjustment	30
4.6.2	Color Standardization and sRGB Support.....	30
4.7	High-Quality Scaling.....	30
4.7.1	Variable Zoom Scaling.....	30

4.7.2	Horizontal and Vertical Shrink.....	30
4.8	Bypass Options.....	30
4.9	Gamma LUT.....	31
4.10	Display Output Interface	31
4.10.1	Display Synchronization.....	31
4.10.2	Programming the Display Timing	31
4.10.3	Panel Power Sequencing (PPWR, PBIAS).....	33
4.10.4	Output Dithering	33
4.11	Dual Four Channel LVDS Transmitter	34
4.12	Energy Spectrum Management (ESM).....	34
4.13	OSD.....	34
4.13.1	On-Chip OSD SRAM	35
4.13.2	Color Look-up Table (LUT)	36
4.14	On-Chip Microcontroller (OCM).....	36
4.14.1	Standalone Configuration	37
4.14.2	Full-Custom Configuration.....	38
4.14.3	In-System-Programming (ISP) of FLASH ROM Devices	39
4.14.4	UART Interface	39
4.14.5	DDC2Bi Interface.....	40
4.14.6	General Purpose Inputs and Outputs (GPIO's).....	40
4.15	Bootstrap Configuration Pins	41
4.16	Host Interface	42
4.16.1	Host Interface Command Format.....	42
4.16.2	2-wire Serial Protocol	43
4.17	Miscellaneous Functions	44
4.17.1	Low Power State.....	44
4.17.2	Pulse Width Modulation (PWM) Back Light Control.....	45
5	Electrical Specifications.....	46
5.1	Preliminary DC Characteristics.....	46
5.2	Preliminary AC Characteristics.....	48
5.3	External ROM Interface Timing Requirements	49
6	Ordering Information	50
7	Mechanical Specifications.....	51

List Of Tables

Table 1.	Analog Input Port	11
Table 2.	RCLK PLL Pins	11
Table 3.	System Interface and GPIO Signals	12
Table 4.	Display Output Port.....	13
Table 5.	Parallel ROM Interface Port.....	13
Table 6.	Reserved Pins	14
Table 7.	Power and Ground Pins for ADC Sampling Clock DDS	14
Table 8.	Power and Ground Pins for Display Clock DDS	14
Table 9.	I/O Power and Ground Pins.....	15
Table 10.	Power and Ground Pins for LVDS Transmitter	15
Table 11.	TCLK Specification	19
Table 12.	Pin Connection for RGB Input with HSYNC/VSYNC.....	23
Table 13.	ADC Characteristics.....	24
Table 14.	Supported LVDS 24-bit Panel Data Mapping.....	34
Table 15.	Supported LVDS 18-bit Panel Data Mapping.....	34
Table 16.	gm2121 GPIOs and Alternative Functions	41
Table 17.	Bootstrap Signals.....	41
Table 18.	Instruction Byte Map.....	43
Table 19.	Absolute Maximum Ratings.....	46
Table 20.	DC Characteristics.....	47
Table 21.	Maximum Speed of Operation	48
Table 22.	Display Timing and DCLK Adjustments.....	48
Table 23.	2-Wire Host Interface Port Timing	48

List Of Figures

Figure 1.	gm2121 System Design Example.....	8
Figure 2.	gm2121 Pin Out Diagram	10
Figure 3.	gm2121 Functional Block Diagram	16
Figure 4.	Using the Internal Oscillator with External Crystal	17
Figure 5.	Internal Oscillator Output.....	18
Figure 6.	Sources of Parasitic Capacitance.....	18
Figure 7.	Using an External Single-ended Clock Oscillator.....	19
Figure 8.	Internally Synthesized Clocks	20
Figure 9.	On-chip Clock Domains.....	21
Figure 10.	Correct Power Sequencing	22
Figure 11.	Example ADC Signal Terminations.....	23
Figure 12.	gm2121 Clock Recovery	24
Figure 13.	ADC Capture Window	25
Figure 14.	Some of gm2121 built-in test patterns	26
Figure 15.	Factory Calibration and Test Environment	26
Figure 16.	HSYNC Delay.....	27
Figure 17.	Active Data Crosses HSYNC Boundary	27
Figure 18.	ODD/EVEN Field Detection.....	28
Figure 19.	RealColor™ Digital Color Controls.....	29
Figure 20.	Display Windows and Timing.....	32
Figure 21.	Single Pixel Width Display Data.....	32
Figure 22.	Double Pixel Wide Display Data	33
Figure 23.	Panel Power Sequencing	33
Figure 24.	OSD Cell Map.....	35
Figure 25.	OCM Full-Custom and Standalone Configurations	37
Figure 26.	Programming OCM in Standalone Configuration.....	38
Figure 27.	Programming the OCM in Full-Custom Configuration	39
Figure 28.	2-Wire Protocol Data Transfer	43
Figure 29.	2-Wire Write Operations (0x1x and 0x2x).....	44
Figure 30.	2-Wire Read Operation (0x9x and 0xAx)	44
Figure 31.	External ROM Interface Timing Diagram	49
Figure 32.	gm2121 160-pin PQFP Mechanical Drawing	51

Revision History

Document	Description	Date
C2121-DAT-01A	<ul style="list-style-type: none"> • Initial release 	May 2002
C2121-DAT-01B	<ul style="list-style-type: none"> • Corrected Pin out changes as follows: <ul style="list-style-type: none"> ○ Figure 2, gm2121 Pin out Diagram (Pin #102 to 116) ○ Table 2, RCLK PLL pins ○ Table 7, Power & Ground Pins for ADC Sampling Clock DDS ○ Table 8, Power & Ground Pins for Display Clock DDS ○ Table 10, AVSS_OUT_LV_E pin ○ Table 6, one RESERVED pin and two RESERVED Pin name change to VCO_LV & VBUFC 	Jun 2002
C2121-DAT-01C	<ul style="list-style-type: none"> • Corrected Pinout as follows: <ul style="list-style-type: none"> • Pins 88 to 97 changed from RESERVED to GPO [0..7] • Pins 38 and 39 changed to STI_TM1 and STI_TM2 • Table 3, added GPO [0..7] • Table 6, removed RESERVED pins 88 to 97 • Table 6, renamed pins 38 and 39 to STI_TM1 and STI_TM2 and added a clause that these pins MUST be tied to GND. • Updated 4.14.4. with TCLK_SEL0, TCLK_SEL1 and DDC_PORT_SEL information. These signals are new bootstrap configuration pins in gm2121 • Updated 4.14.5 with the newly added GPO's [0..7] • Updated 4.15 with the new bootstrap configuration pins • Table 20, updated DC Characteristics • Updated 4.14.4 and 4.15 with clarifications for the UART baud rates and DDC2Bi pin selection options in standalone configuration • Changed Pin names: <ul style="list-style-type: none"> ○ RVDD to RVDD_3.3 ○ CVDD to CVDD_2.5 ○ AVDD_OUT_LV_E to AVDD_OUT_LV_E_2.5 ○ AVDD_LV_E to AVDD_LV_E_2.5 ○ AVDD_OUT_LV_O to AVDD_OUT_LV_O_2.5 ○ AVDD_LV_O to AVDD_LV_O_2.5 ○ AVDD_RPLL to AVDD_RPLL_3.3 ○ VDD_DPLL to VDD_DPLL_3.3 ○ AVDD_DDDS to AVDD_DDDS_3.3 ○ VDD_DDDS to VDD_DDDS_3.3 ○ AVDD_SSDS to AVDD_SSDS_3.3 ○ VDD_SSDS to VDD_SSDS_3.3 ○ VDD2_ADC to VDD2_ADC_2.5 ○ VDD1_ADC to VDD1_ADC_2.5 ○ AVDD_ADC to AVDD_ADC_3.3 ○ AVDD_BLUE to AVDD_BLUE_3.3 ○ AVDD_GREEN to AVDD_GREEN_3.3 ○ AVDD_RED to AVDD_RED_3.3 	Aug 2002
C2121-DAT-01D	<ul style="list-style-type: none"> • Added Section 4.2.2 – Correct Power Sequencing 	Sep 2002
C2121-DAT-01E	<ul style="list-style-type: none"> • Added the following note to Table 3 System Interface/GPIO signals GPIO4/UART_DI and GPIO5/UART_DO: Add 10K Pull-up to VDD_3.3 • Added note to Table 17 bootstrap signal HOST_PORT_EN (ROM_ADDR8) • Added note to Table 17 bootstrap signal OCM_ROM_CNFG(1) (ROM_ADDR14) • Updated Table 17 bootstrap signal DDC_PORT_SEL (ROM_ADDR12) • Documentation Fix: Pin Name Change GPIO16/HFS to GPIO16/HFSn 	Oct 2002
C2121-DAT-01F	<ul style="list-style-type: none"> • Added section 5.3 External ROM Interface Timing Requirements 	Dec 2002

1 Overview

The gm2121 is a graphics processing IC for Liquid Crystal Display (LCD) monitors at SXGA resolution. It provides all key IC functions required for the highest quality LCD monitors. On-chip functions include a high-speed triple-ADC and PLL, a high quality zoom and shrink scaling engine, an on-screen display (OSD) controller, digital color controls, an on-chip micro-controller (OCM) and industry standard dual four channel LVDS transmitter for direct connect to LCD panels with LVDS interface. With this level of integration, the gm2121 devices simplify and reduce the cost of LCD monitors while maintaining a high-degree of flexibility and quality.

1.1 gm2121 System Design Example

Figure 1 below shows a typical dual interface LCD monitor system based on the gm2121. Designs based on the gm2121 have reduced system cost, simplified hardware and firmware design and increased reliability because only a minimal number of components are required in the system.

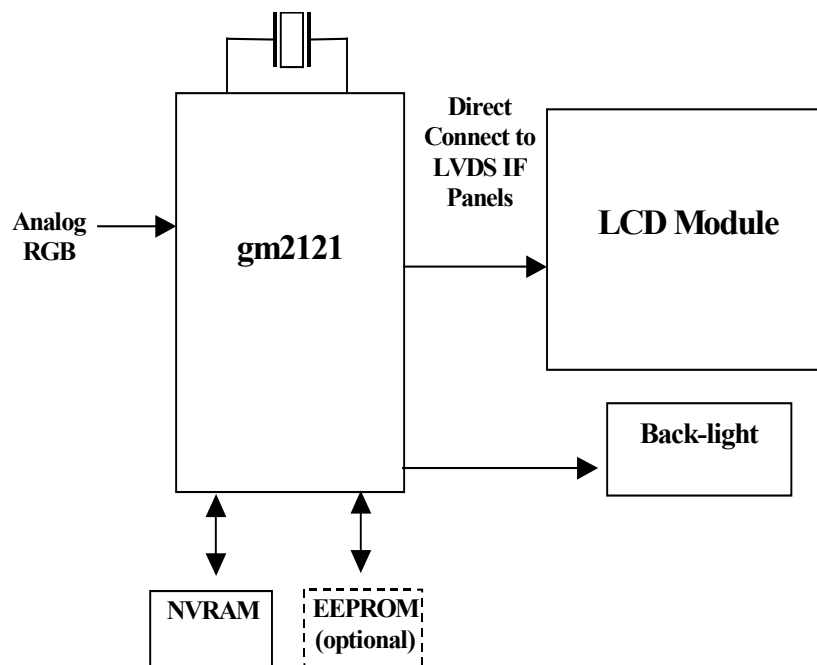


Figure 1. gm2121 System Design Example

1.2 gm2121 Features

FEATURES

- Zoom (from VGA) and shrink (from UXGA) scaling
- Integrated 8-bit triple-channel ADC / PLL
- Embedded microcontroller with parallel ROM interface
- On-chip versatile OSD engine
- All system clocks synthesized from a single external crystal
- Programmable gamma correction (CLUT)
- RealColor controls provide sRGB compliance
- PWM back light intensity control
- 5-Volt tolerant inputs
- Low EMI and power saving features

High-Quality Advanced Scaling

- Fully programmable zoom ratios
- High-quality shrink capability from UXGA resolution
- Real Recovery™ function provides full color recovery image for refresh rates higher than those supported by the LCD panel

Analog RGB Input Port

- Supports up to 162MHz (SXGA 75Hz / UXGA 60Hz)
- On-chip high-performance PLLs (only a single reference crystal required)

Auto-Configuration / Auto-Detection

- Automatic input format detection
- Robust phase and image positioning

RealColor™ Technology

- Digital brightness and contrast controls
- TV color controls including hue and saturation controls
- Flesh-tone adjustment
- Full color matrix allows end-users to experience the same colors as viewed on CRTs and other displays (e.g. sRGB compliance)

On-chip OSD Controller

- On-chip RAM for downloadable menus
- 1, 2 and 4-bit per pixel character cells
- Horizontal and vertical stretch of OSD menus
- Blinking, transparency and blending

Built in Test Pattern Generator

On-chip Microcontroller

- Requires no external micro-controller
- External parallel ROM interface allows firmware customization with little additional cost
- 21 general-purpose inputs/outputs (GPIO's) and 8 general-purpose outputs (GPO's) available for managing system devices (keypad, back-light, NVRAM, etc)
- Industry-standard firmware embedded on-chip, requires no external ROM (configuration settings stored in NVRAM)
- Low power mode (.0.15W) when no inputs are active
- Support for DDC2Bi based In-system-Programming of Flash ROM

Built in Flexible LVDS Transmitter

- Dual four channel 6/8-bit LVDS transmitter (with high-quality dithering)
- Programmable channel swapping
- Programmable channel polarity
- Support up to SXGA 75Hz output

Highly Integrated System-on-a-Chip Reduces Component Count for *Highly Cost Effective Solution*

Stand-alone operation requires no external ROM and no firmware development for *Fast Time to Market*

Firmware compatible *Family of Products*:

- gm2110/20 Analog-Interface XGA/SXGA
- gm3110/gm3120 Digital-Interface XGA/SXGA
- gm5110/gm5120 Dual-Interface XGA/SXGA

3 GM2121Pin List

I/O Legend: **A** = Analog, **I** = Input, **O** = Output, **P** = Power, **G** = Ground

Table 1. Analog Input Port

Pin Name	No.	I/O	Description
AVDD_RED_3.3	136	AP	Analog power (3.3V) for the red channel. Must be bypassed with decoupling capacitor to AGND_RED pin on system board (as close as possible to the pin).
RED+	135	AI	Positive analog input for Red channel.
RED-	134	AI	Negative analog input for Red channel.
AGND_RED	133	AG	Analog ground for the red channel. Must be directly connected to the system ground plane.
AVDD_GREEN_3.3	132	AP	Analog power (3.3V) for the green channel. Must be bypassed with decoupling capacitor to AGND_GREEN pin on system board (as close as possible to the pin).
GREEN+	131	AI	Positive analog input for Green channel.
GREEN-	130	AI	Negative analog input for Green channel.
AGND_GREEN	129	AG	Analog ground for the green channel. Must be directly connected to the system ground plane.
AVDD_BLUE_3.3	128	AP	Analog power (3.3V) for the blue channel. Must be bypassed with decoupling capacitor to AGND_BLUE pin on system board (as close as possible to the pin).
BLUE+	127	AI	Positive analog input for Blue channel.
BLUE-	126	AI	Negative analog input for Blue channel.
AGND_BLUE	125	AG	Analog ground for the blue channel. Must be directly connected to the system ground plane.
AVDD_ADC_3.3	124	AP	Analog power (3.3V) for ADC analog blocks that are shared by all three channels. Includes band gap reference, master biasing and full-scale adjust. Must be bypassed with decoupling capacitor to AGND_ADC pin on system board (as close as possible to the pin).
ADC_TEST	123	AO	Analog test output for ADC. Do not connect.
AGND_ADC	122	AG	Analog ground for ADC analog blocks that are shared by all three channels. Includes band gap reference, master biasing and full-scale adjust. Must be directly connected to system ground plane.
SGND_ADC	121	AG	Dedicated pad for substrate guard ring that protects the ADC reference system. Must be directly connected to the system ground plane.
GND1_ADC	120	G	Digital GND for ADC clocking circuit. Must be directly connected to the system ground plane.
VDD1_ADC_2.5	119	P	Digital power (2.5V) for ADC encoding logic. Must be bypassed with decoupling capacitor to GND1_ADC pin on system board (as close as possible to the pin).
GND2_ADC	118	G	Digital GND for ADC clocking circuit. Must be directly connected to the system ground plane.
VDD2_ADC_2.5	117	P	Digital power (2.5V) for ADC encoding logic. Must be bypassed with decoupling capacitor to GND2_ADC pin on system board (as close as possible to the pin).
HSYNC	101	I	ADC input horizontal sync input. [Input, Schmitt trigger (400mV typical hysteresis), 5V-tolerant]
VSYNC	100	I	ADC input vertical sync input. [Input, Schmitt trigger (400mV typical hysteresis), 5V-tolerant]

Table 2. RCLK PLL Pins

Pin Name	No	I/O	Description
AVDD_RPLL_3.3	104	AP	Analog power for the Reference DDS PLL. Connect to 3.3V supply. Must be bypassed with a 0.1uF capacitor to pin AVSS_RPLL (as close to the pin as possible).
AVSS_RPLL	105	AG	Analog ground for the Reference DDS PLL. Must be directly connected to the system ground plane.
TCLK	102	AI	Reference clock (TCLK) from the 20.0MHz crystal oscillator (see Figure 4), or from single-ended CMOS/TTL clock oscillator (see Figure 7). This is a 5V-tolerant input. See Table 12.
XTAL	103	AO	Crystal oscillator output.
VDD_DPLL_3.3	106	P	Digital power for FCLK and RCLK PLLs. Connect to 3.3V supply.
VSS_DPLL	107	G	Digital ground for FCLK and RCLK PLLs.

Table 3. System Interface and GPIO Signals

Pin Name	No	I/O	Description
RESETn	17	I	Active-low hardware reset signal. The reset signal must be held low for at least 1 μ S. [Input, Schmitt trigger (400mV typical hysteresis), 5V-tolerant]
GPIO0/PWM0	23	IO	General-purpose input/output signal or PWM0. Open drain option via register setting. [Bi-directional, Schmitt trigger (400mV typical hysteresis), 5V-tolerant]
GPIO1/PWM1	24	IO	General-purpose input/output signal or PWM1. Open drain option via register setting. [Bi-directional, Schmitt trigger (400mV typical hysteresis), 5V-tolerant]
GPIO2/PWM2	25	IO	General-purpose input/output signal or PWM2. Open drain option via register setting. [Bi-directional, Schmitt trigger (400mV typical hysteresis), 5V-tolerant]
GPIO3/TIMER1	26	IO	General-purpose input/output signal. Open drain option via register setting. This pin is also connected to Timer 1 clock input of the OCM. [Bi-directional, Schmitt trigger (400mV typical hysteresis), 5V-tolerant]
GPIO4/UART_DI	27	IO	General-purpose input/output signal. Open drain option via register setting. This pin is also connected to the OCM UART data input signal by programming an OCM register. Add 10K Pull-up to VDD_3.3. [Bi-directional, Schmitt trigger (400mV typical hysteresis), 5V-tolerant]
GPIO5/UART_DO	28	IO	General-purpose input/output signal. Open drain option via register setting. This pin is also connected to the OCM UART data output signal by programming an OCM register. Add 10K Pull-up to VDD_3.3. [Bi-directional, Schmitt trigger (400mV typical hysteresis), 5V-tolerant]
GPIO6	29	IO	General-purpose input/output signal. [Bi-directional, Schmitt trigger (400mV typical hysteresis), 5V-tolerant]
GPIO7	32	IO	General-purpose input/output signal. [Bi-directional, Schmitt trigger (400mV typical hysteresis), 5V-tolerant]
GPIO8/IRQIn	22	IO	General-purpose input/output signal. This is also active-low interrupt input to OCM and is directly wired to OCM int_0n. [Bi-directional, Schmitt trigger (400mV typical hysteresis), 5V-tolerant]
GPIO9	33	IO	General-purpose input/output signal. Open drain option via register setting. [Bi-directional, Schmitt trigger (400mV typical hysteresis), 5V-tolerant]
GPIO10	34	IO	General-purpose input/output signal. Open drain option via register setting. [Bi-directional, Schmitt trigger (400mV typical hysteresis), 5V-tolerant]
GPIO11/ROM_WEn	35	IO	General-purpose input/output signal, or ROM write enable if a programmable FLASH device is used. Open drain option via register setting. [Bi-directional Input, Schmitt trigger (400mV typical hysteresis), 5V-tolerant]
GPIO12/NVRAM_SDA GPIO13/NVRAM_SCL	36 37	IO IO	General-purpose input/output signals, or 2-wire master serial interface to NVRAM in standalone mode. Open drain option via register setting. [Bi-directional Input, Schmitt trigger (400mV typical hysteresis), 5V-tolerant]
GPIO14/DDC_SCL GPIO15/DDC_SDA	18 19	IO IO	General-purpose input/output signals, or 2-wire master serial interface to NVRAM in standalone mode. Open drain option via register setting. [Bi-directional Input, Schmitt trigger (400mV typical hysteresis), 5V-tolerant]
GPIO16/HFSn	9	IO	General-purpose input/output signal when host port is disabled, or data signal for 2-wire serial host interface. [Bi-directional, Schmitt trigger (400mV typical hysteresis), slew rate limited, 5V tolerant]
GPIO17/HDATA0 GPIO18/HDATA1 GPIO19/HDATA2 GPIO20/HDATA3	13 12 11 10	IO IO IO IO	General-purpose input/output signals. [Bi-directional, Schmitt trigger (400mV typical hysteresis), 5V-tolerant]
GPIO21/IRQn	16	IO	General-purpose input/output signal when host port is disabled, or active-low and open-drain interrupt output pin. [Bi-directional, 5V-tolerant]
GPIO22/HCLK	8	IO	General-purpose input/output signal when host port is disabled, or clock for 2-wire serial host interface. [Bi-directional, Schmitt trigger (400mV typical hysteresis), 5V-tolerant]
GPO 0	88	O	General-purpose output signal.
GPO 1	89	O	General-purpose output signal
GPO 2	92	O	General-purpose output signal
GPO 3	93	O	General-purpose output signal
GPO 4	94	O	General-purpose output signal
GPO 5	95	O	General-purpose output signal
GPO 6	96	O	General-purpose output signal
GPO 7	97	O	General-purpose output signal

Table 4. Display Output Port

Pin Name	No	I/O	Description
PBIAS	41	O	Panel Bias Control (back light enable) [Tri-state output, Programmable Drive]
PPWR	40	O	Panel Power Control [Tri-state output, Programmable Drive]
CH3P_LV_E	48	O	Even LVDS Channel 3 positive
CH3N_LV_E	49	O	Even LVDS Channel 3 negative
CLKP_LV_E	50	O	Even LVDS Clock positive
CLKN_LV_E	51	O	Even LVDS Clock negative
CH2P_LV_E	52	O	Even LVDS Channel 2 positive
CH2N_LV_E	53	O	Even LVDS Channel 2 negative
CH1P_LV_E	54	O	Even LVDS Channel 1 positive
CH1N_LV_E	55	O	Even LVDS Channel 1 negative
CH0P_LV_E	56	O	Even LVDS Channel 0 positive
CH0N_LV_E	57	O	Even LVDS Channel 0 negative
CH3P_LV_O	64	O	Odd LVDS Channel 3 positive
CH3N_LV_O	65	O	Odd LVDS channel 3 negative
CLKP_LV_O	66	O	Odd LVDS Clock positive
CLKN_LV_O	67	O	Odd LVDS Clock negative
CH2P_LV_O	68	O	Odd LVDS Channel 2 positive
CH2N_LV_O	69	O	Odd LVDS channel 2 negative
CH1P_LV_O	70	O	Odd LVDS Channel 1 positive
CH1N_LV_O	71	O	Odd LVDS channel 1 negative
CH0P_LV_O	72	O	Odd LVDS Channel 0 positive
CH0N_LV_O	73	O	Odd LVDS channel 0 negative

Table 5. Parallel ROM Interface Port

Pin Name	No	I/O	Description
ROM_ADDR15	139	IO	ROM address output. These pins also serve as 5V-tolerant bootstrap inputs on power up.
ROM_ADDR14	140	IO	
ROM_ADDR13	141	IO	
ROM_ADDR12	142	IO	
ROM_ADDR11	145	IO	
ROM_ADDR10	146	IO	
ROM_ADDR9	147	IO	
ROM_ADDR8	148	IO	
ROM_ADDR7	149	IO	
ROM_ADDR6	150	IO	
ROM_ADDR5	151	IO	
ROM_ADDR4	152	IO	
ROM_ADDR3	153	IO	
ROM_ADDR2	154	IO	
ROM_ADDR1	155	IO	
ROM_ADDR0	156	IO	
ROM_DATA7	159	I	5V-tolerant external PROM data input
ROM_DATA6	160	I	
ROM_DATA5	1	I	
ROM_DATA4	2	I	
ROM_DATA3	3	I	
ROM_DATA2	4	I	
ROM_DATA1	5	I	
ROM_DATA0	6	I	
ROM_OEn	7	O	External PROM data Output Enable

Table 6. Reserved Pins

Pin Name	No	I/O	Description
Reserved	80	O	For test purposes only. Do not connect
Reserved	81	O	For test purposes only. Do not connect
Reserved	82	O	For test purposes only. Do not connect
Reserved	83	O	For test purposes only. Do not connect
Reserved	84	O	For test purposes only. Do not connect
Reserved	85	O	For test purposes only. Do not connect
Reserved	86	O	For test purposes only. Do not connect
Reserved	87	O	For test purposes only. Do not connect
VBUFC	112	O	For test purposes only. Do not connect
VCO_LV	45	O	For test purposes only. Do not connect
STI_TM1	38	I	For test purposes only. MUST be tied to GND
STI_TM2	39	I	For test purposes only. MUST be tied to GND

Table 7. Power and Ground Pins for ADC Sampling Clock DDS

Pin Name	No	I/O	Description
AVDD_SDDS_3.3	113	AP	Analog power for the Source DDS. Connect to 3.3V supply. Must be bypassed with a 0.1uF capacitor to AVSS_SDDS pin (as close to the pin as possible).
AVSS_SDDS	114	AG	Analog ground for the Source DDS. Must be directly connected to the system ground.
VDD_SDDS_3.3	115	P	Digital power for the Source DDS. Connect to 3.3V supply.
VSS_SDDS	116	G	Digital ground for the Source DDS.

Table 8. Power and Ground Pins for Display Clock DDS

Pin Name	No	I/O	Description
AVDD_DDDS_3.3	108	AP	Analog power for Destination DDS. Connect to 3.3V supply. Must be bypassed with a 0.1uF capacitor to AVSS_DDDS pin (as close to the pin as possible).
AVSS_DDDS	109	AG	Analog ground for Destination DDS. Must be directly connected to the system ground plane.
VDD_DDDS_3.3	110	P	Digital power for the Destination DDS. Connect to 3.3V supply.
VSS_DDDS	111	G	Digital ground for the Destination DDS.

Table 9. I/O Power and Ground Pins

Pin Name	No	I/O	Description
RVDD_3.3	14	P	Connect to 3.3V digital supply. Must be bypassed with a 0.1uF capacitor to CRVSS (as close to the pin as possible).
	30	P	
	90	P	
	143	P	
	157	P	
CRVSS	15	G	Connect to digital ground.
	21	G	
	31	G	
	42	G	
	44	G	
	78	G	
	91	G	
	99	G	
	137	G	
CVDD_2.5	20	P	Connect to 2.5V digital supply. Must be bypassed with a 0.1uF capacitor to CRVSS (as close to the pin as possible).
	43	P	
	79	P	
	98	P	
	138	P	

Note, "AP" indicates a power supply that is analog in nature and does not have large switching currents. These should be isolated from other digital supplies that do have large switching currents.

Table 10. Power and Ground Pins for LVDS Transmitter

Pin Name	No	I/O	Description
AVDD_OUT_LV_E_2.5	46	AP	Analog power for on-chip LVDS output buffer. Connect to 2.5V supply.
	59		
AVDD_LV_E_2.5	61	AP	Analog power for on-chip LVDS transmitter. Connect to 2.5V supply
AVSS_OUT_LV_E	47	G	Analog ground for on-chip LVDS output buffer. Must be directly connected to the system ground plane
	58		
AVSS_LV_E	60	G	Analog ground for on-chip LVDS transmitter. Must be directly connected to the system ground plane
AVDD_OUT_LV_O_2.5	63	AP	Analog power for on-chip LVDS output buffer. Connect to 2.5V supply.
	74		
AVDD_LV_O_2.5	77	AP	Analog power for on-chip LVDS transmitter. Connect to 2.5V supply.
AVSS_OUT_LV_O	62	G	Analog ground for on-chip LVDS output buffer. Must be directly connected to the system ground plane.
	75		
AVSS_LV_O	76	G	Analog ground for on-chip LVDS transmitter. Must be directly connected to the system ground plane.

4 Functional Description

A functional block diagram is illustrated below. Each of the functional units shown is described in the following sections.

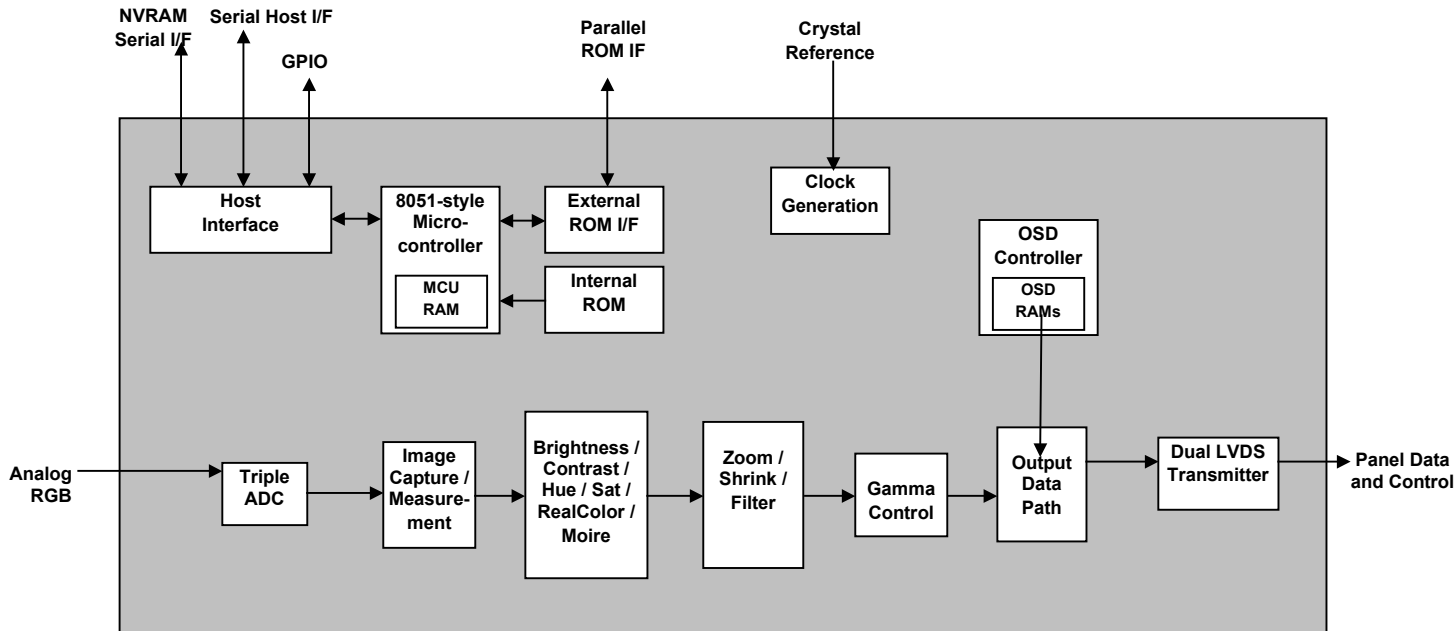


Figure 3. gm2121 Functional Block Diagram

4.1 Clock Generation

The gm2121 features two clock inputs. All additional clocks are internal clocks derived from one or more of these:

1. Crystal Input Clock (TCLK and XTAL). This is the input pair to an internal crystal oscillator and corresponding logic. A 20.0 MHz crystal is recommended. Other crystal frequencies may be used, but require custom programming. This is illustrated in Figure 4 below. Alternatively, a single-ended TTL/CMOS clock oscillator can be driven into the TCLK pin (leave XTAL as N/C in this case). This is illustrated in Figure 7 below. This option is selected by connecting a 10K Ω pull-up to ROM_ADDR13 (refer to Table 17). See also Table 12.
2. Host Interface Transfer Clock (HCLK)

The gm2121 TCLK oscillator circuitry is a custom designed circuit to support the use of an external oscillator or a crystal resonator to generate a reference frequency source for the gm2121 device.

4.1.1 Using the Internal Oscillator with External Crystal

The first option for providing a clock reference is to use the internal oscillator with an external crystal. The oscillator circuit is designed to provide a very low jitter and very low harmonic clock to the internal circuitry of the gm2121. An Automatic Gain Control (AGC) is used to insure startup and operation over a wide range of conditions. The oscillator circuit also minimizes the overdrive of the crystal, which reduces the aging of the crystal.

When the gm2121 is in reset, the state of the ROM_ADDR13 pin is sampled. If the pin is left unconnected (internal pull-down) then internal oscillator is enabled. In this mode a crystal resonator is connected between TCLK and the XTAL with the appropriately sized loading capacitors C_{L1} and C_{L2} . The size of C_{L1} and C_{L2} are determined from the crystal manufacturer's specification and by compensating for the parasitic capacitance of the gm2121 device and the printed circuit board traces. The loading capacitors are terminated to the analog VDD power supply. This connection increases the power supply rejection ratio when compared to terminating the loading capacitors to ground.

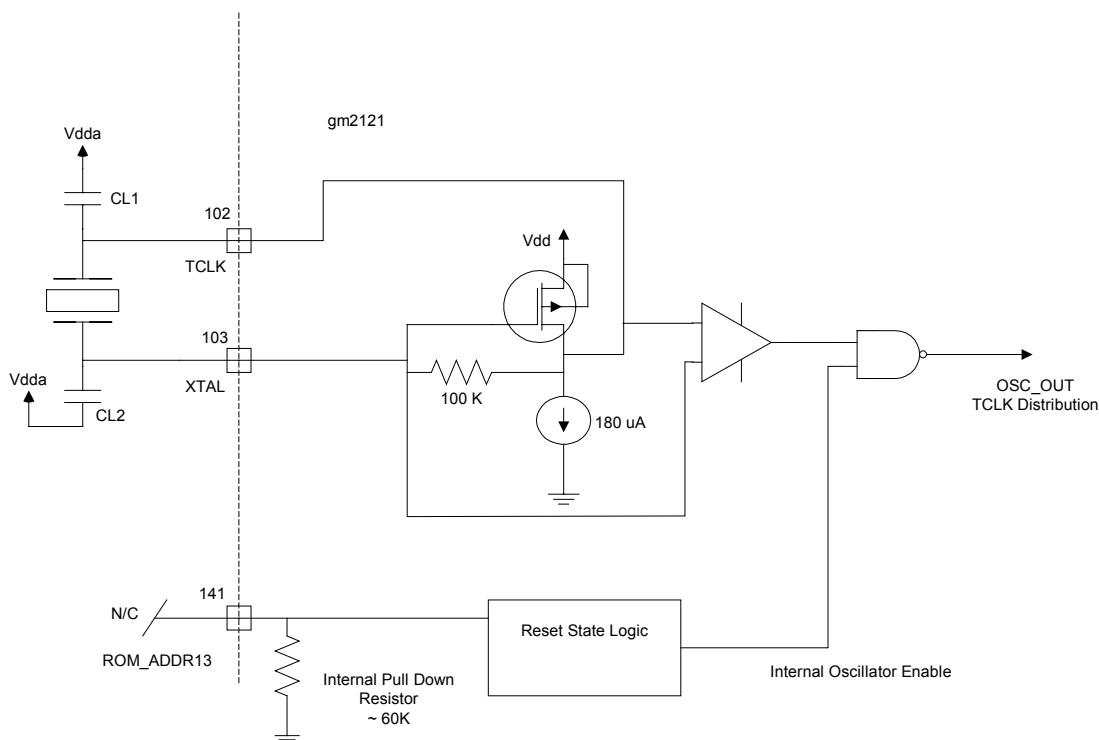


Figure 4. Using the Internal Oscillator with External Crystal

The TCLK oscillator uses a Pierce Oscillator circuit. The output of the oscillator circuit, measured at the TCLK pin, is an approximate sine wave with a bias of about 2 volts above ground (see Figure 5). The peak-to-peak voltage of the output can range from 250 mV to 1000 mV depending on the specific characteristics of the crystal and variation in the oscillator characteristics. The output of the oscillator is connected to a comparator that converts the sine wave to a square wave. The comparator requires a

minimum signal level of about 50-mV peak to peak to function correctly. The output of the comparator is buffered and then distributed to the gm2121 circuits.

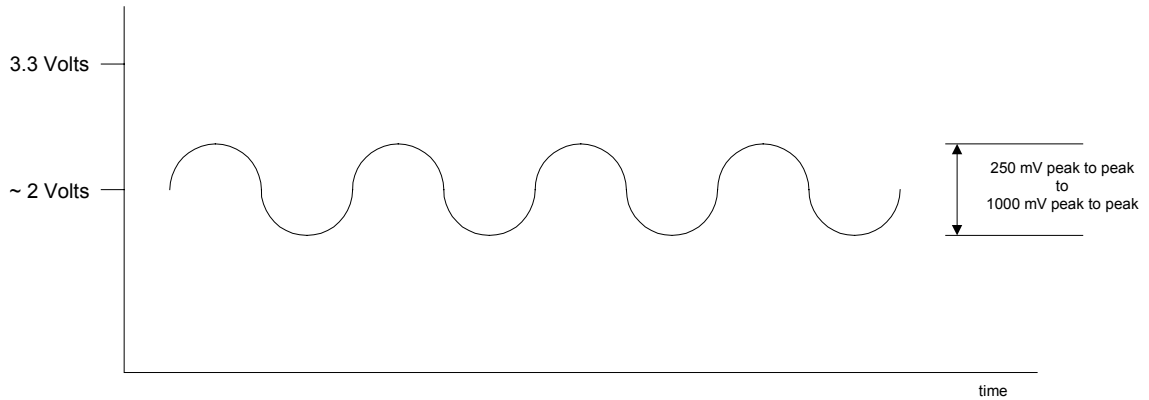


Figure 5. Internal Oscillator Output

One of the design parameters that must be given some consideration is the value of the loading capacitors used with the crystal as shown in Figure 6. The loading capacitance (C_{load}) on the crystal is the combination of C_{L1} and C_{L2} and is calculated by $C_{load} = ((C_{L1} * C_{L2}) / (C_{L1} + C_{L2})) + C_{shunt}$. The shunt capacitance C_{shunt} is the effective capacitance between the XTAL and TCLK pins. For the gm2121 this is approximately 9 pF. C_{L1} and C_{L2} are a parallel combination of the external loading capacitors (C_{ex}), the PCB board capacitance (C_{pcb}), the pin capacitance (C_{pin}), the pad capacitance (C_{pad}), and the ESD protection capacitance (C_{esd}). The capacitances are symmetrical so that $C_{L1} = C_{L2} = C_{ex} + C_{PCB} + C_{pin} + C_{pad} + C_{ESD}$. The correct value of C_{ex} must be calculated based on the values of the load capacitances. Approximate values are provided in Figure 6.

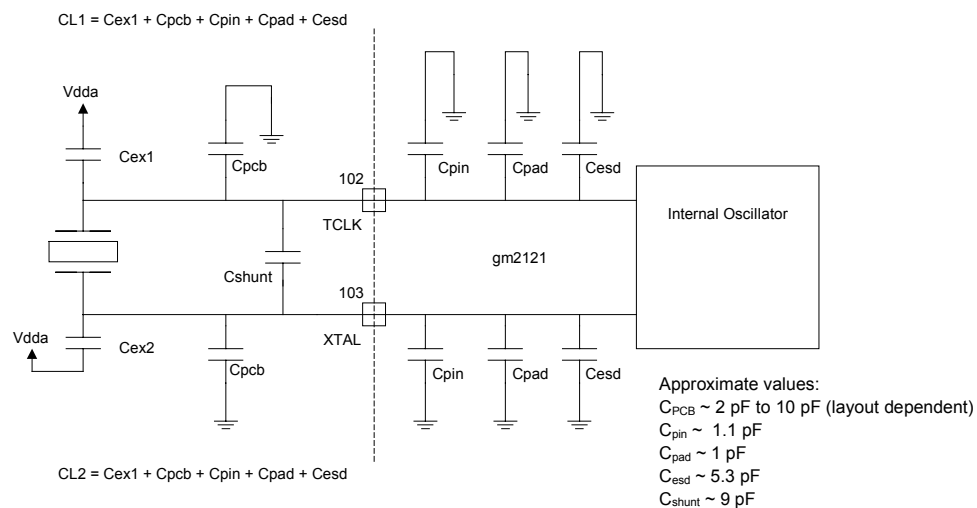


Figure 6. Sources of Parasitic Capacitance

Some attention must be given to the details of the oscillator circuit when used with a crystal resonator. The PCB traces should be as short as possible. The value of C_{load} that is specified by the manufacturer should not be exceeded because of potential start up problems with the oscillator. Additionally, the crystal should be a parallel resonate-cut and the value of the equivalent series resistance must be less than 90 Ohms.

4.1.2 Using an External Clock Oscillator

Another option for providing the reference clock is to use a single-ended external clock oscillator. When the gm2121 is in reset, the state of the ROM_ADDR13 is sampled. If ROM_ADDR13 is pulled high by connecting to VDD through a pull-up resistor (10KΩ recommended, 15KΩ maximum) then external oscillator mode is enabled. In this mode the internal oscillator circuit is disabled and the external oscillator signal that is connected to the TCLK pin is routed to an internal clock buffer. This is illustrated in Figure 7.

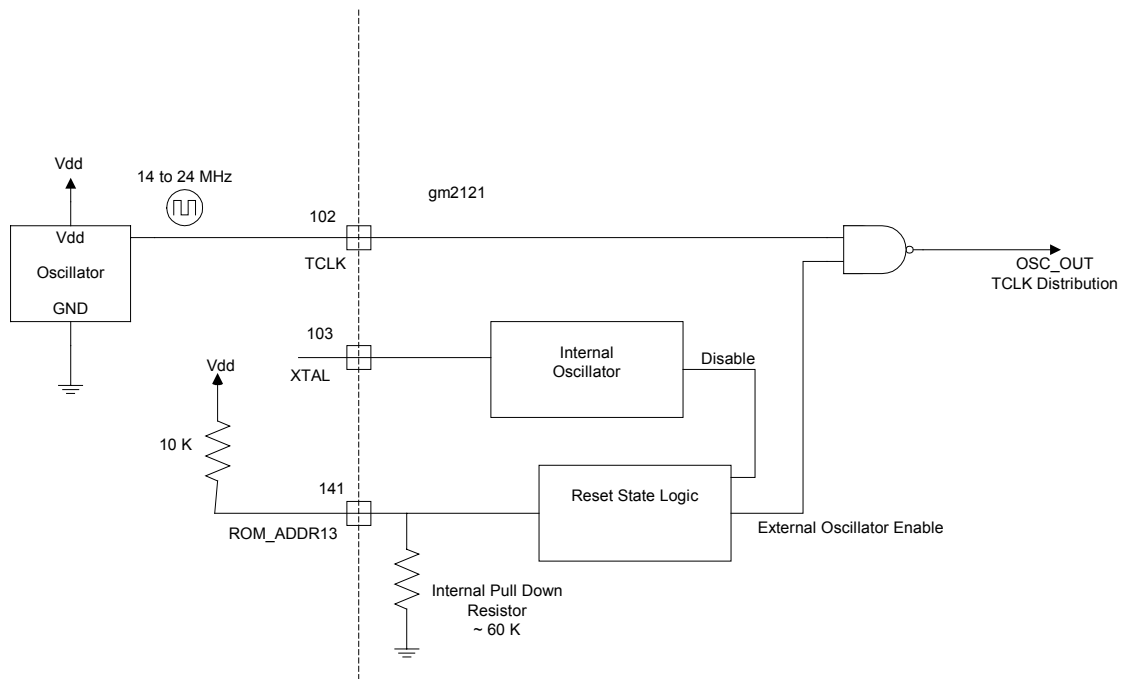


Figure 7. Using an External Single-ended Clock Oscillator

Table 11. TCLK Specification

Frequency	14 to 24 MHz
Jitter Tolerance	250 ps
Rise Time (10% to 90%)	5 ns
Maximum Duty Cycle	40-60

4.1.3 Clock Synthesis

The gm2121 synthesizes all additional clocks internally as illustrated in Figure 8 below. The synthesized clocks are as follows:

1. Main Timing Clock (TCLK) is the output of the chip internal crystal oscillator. TCLK is derived from the TCLK/XTAL pad input.
2. Reference Clock (RCLK) synthesized by RCLK PLL (RPLL) using TCLK as the reference.
3. Input Source Clock (SCLK) synthesized by Source DDS (SDDS) PLL using input HSYNC as the reference. The SDDS internal digital logic is driven by RCLK.
4. Display Clock (DCLK) synthesized by Destination DDS (DDDS) PLL using IP_CLK as the reference. The DDDS internal digital logic is driven by RCLK.
5. Half Reference Clock (RCLK/2) is the RCLK (see 2, above) divided by 2. Used as OCM_CLK domain driver.
6. Quarter Reference Clock (RCLK/4) is the RCLK (see 2, above) divided by 4. Used as alternative clock (faster than TCLK) to drive IFM.
7. ADC Output Clock (SENSE_ACLK) is a delay-adjusted ADC sampling clock, ACLK. ACLK is derived from SCLK.

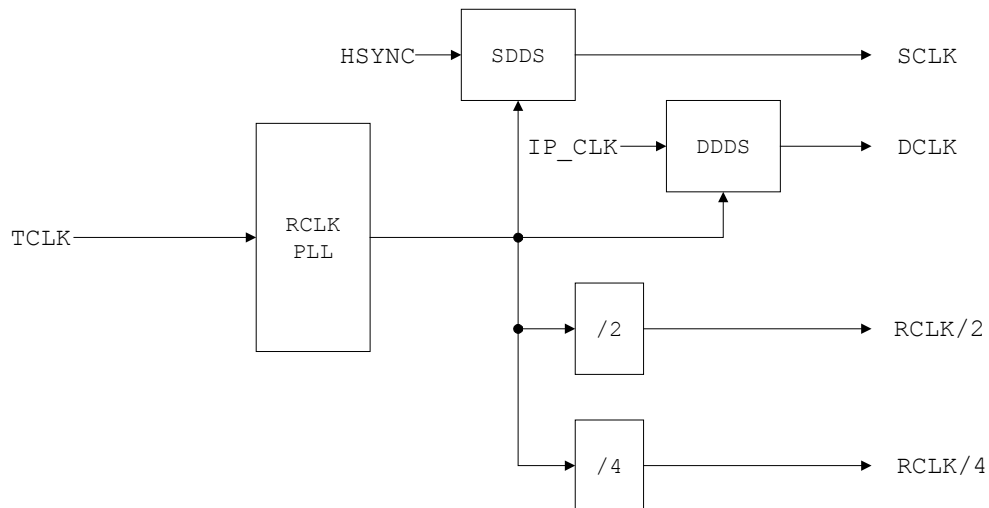


Figure 8. Internally Synthesized Clocks

The on-chip clock domains are selected from the synthesized clocks as shown in Figure 9 below. These include:

1. Input Domain Clock (IP_CLK). Max = 165MHz
2. Host Interface and On-Chip Microcontroller Clock (OCM_CLK). Max = 100MHz
3. Filter and Display Pixel Clock (DP_CLK). Max = 135MHz
4. Source Timing Measurement Domain Clock (IFM_CLK). Max = 50MHz

5. ADC Domain Clock (ACLK). Max = 165MHz.

The clock selection for each domain as shown in the figure below is controlled using the CLOCK_CONFIG registers (index 0x03 and 0x04).

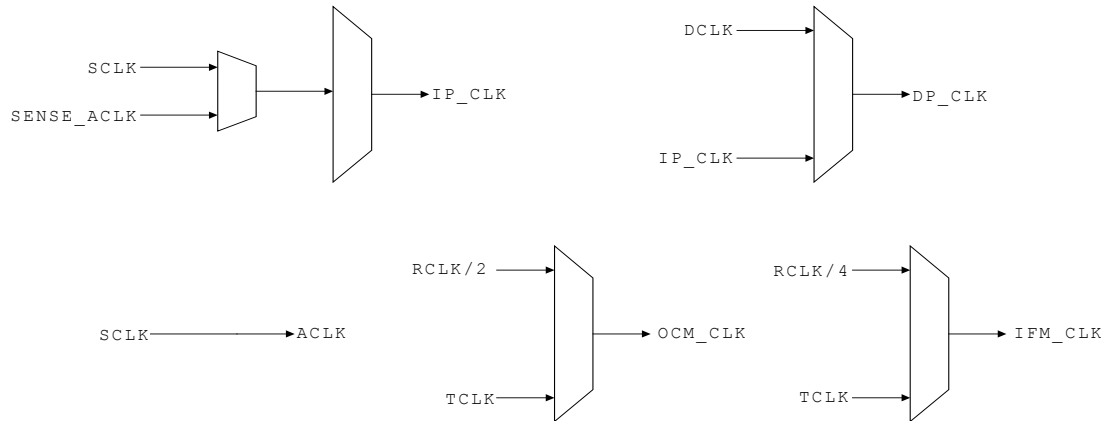


Figure 9. On-chip Clock Domains

4.2 Chip Initialization

4.2.1 Hardware Reset

Hardware Reset is performed by holding the RESETn pin low for a minimum of 1 μ s. A TCLK input (see Clock Options above) must be applied during and after the reset. When the reset period is complete and RESETn is de-asserted, the power-up sequence is as follows:

1. Reset all registers of all types to their default state (this is 00h unless otherwise specified in the gm2121 Register Listing).
2. Force each clock domain into reset. Reset will remain asserted for 64 local clock domain cycles following the de-assertion of RESETn.
3. Operate the OCM_CLK domain at the TCLK frequency.
4. Preset the RCLK PLL to output ~200MHz clock (assumes 20.0MHz TCLK crystal frequency).
5. Wait for RCLK PLL to Lock. Then, switch the OCM_CLK domain to operate from the bootstrap selected clock.
6. If a pull-up resistor is installed on ROM_ADDR9 pin (see Table 17), then the OCM becomes active as soon as OCM_CLK is stable. Otherwise, the OCM remains in reset until OCM_CONTROL register (0x22) bit 1 is enabled.

4.2.2 Correct Power Sequencing

The system designer must ensure that the 2.5V CVDD and 3.3V RVDD power supply rails power up in the correct sequence. That is, at any time during the power-up sequence the actual voltage of the 3.3V RVDD power supply should always be equal to or higher than the actual voltage of the 2.5V CVDD power supply. In mathematical terms, $V_{RVDD} \geq V_{CVDD}$ at all times. This is illustrated in Figure 10.

In addition, the system designer must ensure that the 2.5V core VDD supply must be active for at least 1ms before the rising edge of the chip RESETn signal during the chip power-up sequence. The rising edge of RESETn signal is used to latch the bootstrap configurations, so its correct timing relationship to the core VDD is critical for correct chip operation.

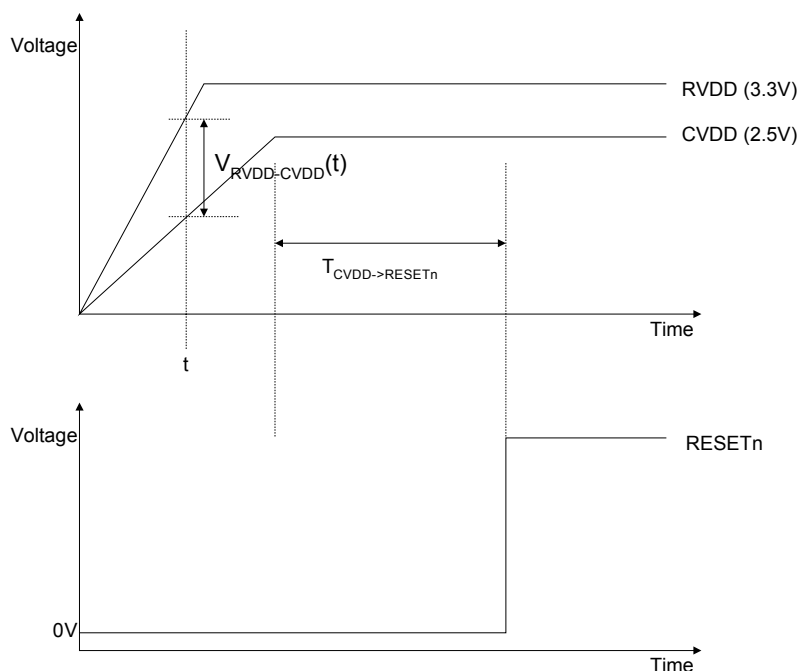


Figure 10. Correct Power Sequencing

Parameter	Min	Typ	Max
$V_{RVDD-CVDD}(\text{for all } t > 0)$	0V		
$T_{CVDD->RESETn}$	1ms		

4.3 Analog to Digital Converter

The gm2121 chip has three ADC's (analog-to-digital converters), one for each color (red, green, and blue).

4.3.1 ADC Pin Connection

The analog RGB signals are connected to the gm2121 as described below:

Table 12. Pin Connection for RGB Input with HSYNC/VSYNC

Pin Name	ADC Signal Name
Red+	Red
Red-	Terminate as illustrated in Figure 11
Green+	Green
Green-	Terminate as illustrated in Figure 11
Blue+	Blue
Blue-	Terminate as illustrated in Figure 11
HSYNC	Horizontal Sync (Terminate as illustrated in Figure 11)
VSYNC	Vertical Sync (Terminate as with HSYNC illustrated in Figure 11)

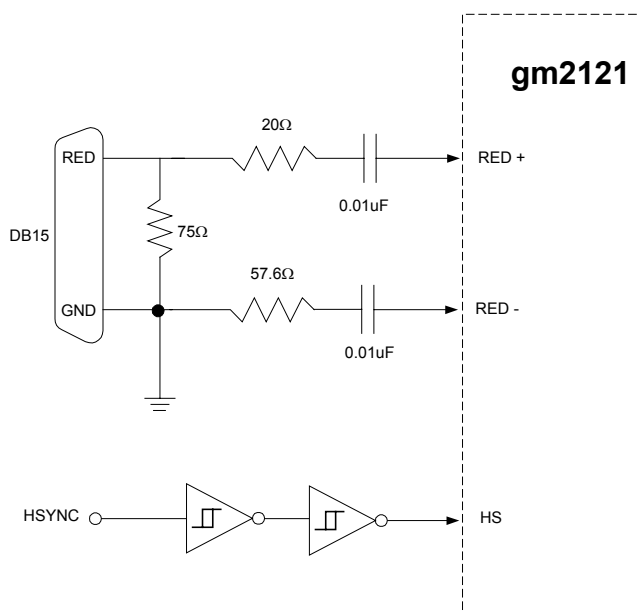


Figure 11. Example ADC Signal Terminations

Please note that it is very important to follow the recommended layout guidelines for the circuit shown in Figure 11. These are described in "gm5115 Layout Guidelines" document number C5115-SLG-01A.

4.3.2 ADC Characteristics

The table below summarizes the characteristics of the ADC:

Table 13. ADC Characteristics

	MIN	TYP	MAX	NOTE
Track & Hold Amp Bandwidth			290 MHz	Guaranteed by design. Note that the Track & Hold Amp Bandwidth is programmable. 290 MHz is the maximum setting.
Full Scale Adjust Range at RGB Inputs	0.55 V		0.90 V	
Full Scale Adjust Sensitivity		+/- 1 LSB		Measured at ADC Output. Independent of full scale RGB input.
Zero Scale Adjust Sensitivity		+/- 1 LSB		Measured at ADC Output.
Sampling Frequency (Fs)	10 MHz		162.5 MHz	
Differential Non-Linearity (DNL)		+/-0.5 LSB	+/-0.9 LSB	Fs = 135 MHz
No Missing Codes				Guaranteed by test.
Integral Non-Linearity (INL)		+/- 1.5 LSB		Fs =135 MHz
Channel to Channel Matching		+/- 0.5 LSB		

Note that input formats with resolutions or refresh rates higher than that supported by the LCD panel are supported as recovery modes only. This is called RealRecovery™. For example, it may be necessary to shrink the image. This may introduce image artifacts. However, the image is clear enough to allow the user to change the display properties.

The gm2121 ADC has a built in clamp circuit for AC-coupled inputs. By inserting series capacitors (about 10 nF), the DC offset of an external video source can be removed. The clamp pulse position and width are programmable.

4.3.3 Clock Recovery Circuit

The SDDS (Source Direct Digital Synthesis) clock recovery circuit generates the clock used to sample analog RGB data (IP_CLK or source clock). This circuit is locked to HSYNC of the incoming video signal.

Patented digital clock synthesis technology makes the gm2121 clock circuits resistant to temperature/voltage drift. Using DDS (Direct Digital Synthesis) technology, the clock recovery circuit can generate any IP_CLK clock frequency within the range of 10MHz to 165MHz.

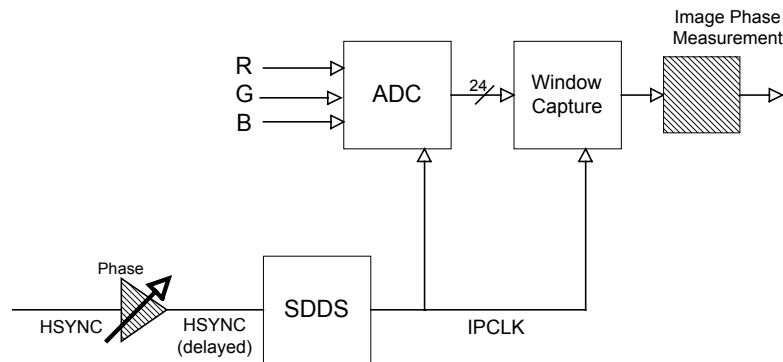


Figure 12. gm2121 Clock Recovery

4.3.4 Sampling Phase Adjustment

The programmable ADC sampling phase is adjusted by delaying the HSYNC input to the SDDS. The accuracy of the sampling phase is checked and the result read from a register. This feature enables accurate auto-adjustment of the ADC sampling phase.

4.3.5 ADC Capture Window

Figure 13 below illustrates the capture window used for the ADC input. In the horizontal direction the capture window is defined in IP_CLKs (equivalent to a pixel count). In the vertical direction it is defined in lines.

All the parameters beginning with “Source” are programmed gm2121 registers values. Note that the input vertical total is solely determined by the input and is not a programmable parameter.

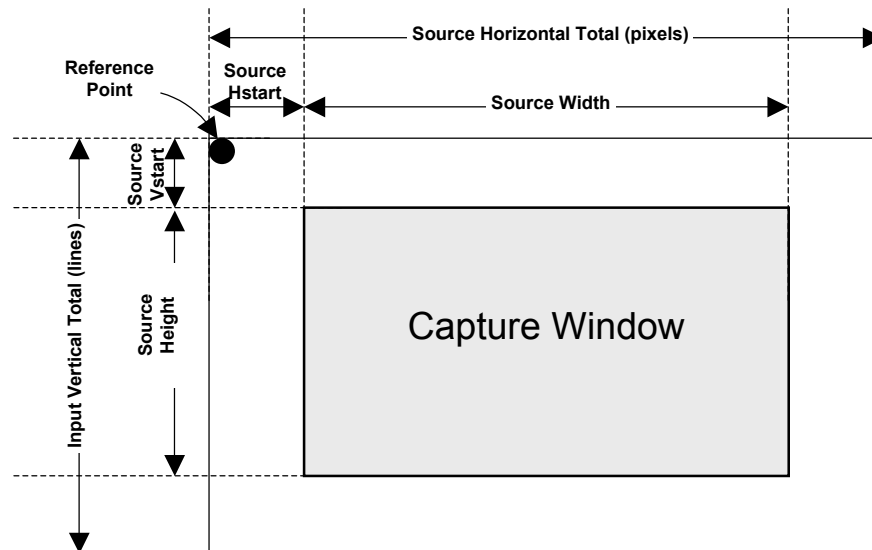


Figure 13. ADC Capture Window

The Reference Point marks the leading edge of the first internal HSYNC following the leading edge of an internal VSYNC. Both the internal HSYNC and the internal VSYNC are derived from external HSYNC and VSYNC inputs.

Horizontal parameters are defined in terms of single pixel increments relative to the internal horizontal sync. Vertical parameters are defined in terms of single line increments relative to the internal vertical sync.

For ADC interlaced inputs, the gm2121 may be programmed to automatically determine the field type (even or odd) from the VSYNC/HSYNC relative timing. See Input Format Measurement, Section 4.4.

4.4 Test Pattern Generator (TPG)

The gm2121 contains hundreds of test patterns, some of which are shown in Figure 14. Once programmed, the gm2121 test pattern generator can replace a video source (e.g. a PC) during factory calibration and test. This simplifies the test procedure and eliminates the possibility of image noise being injected into the system from the source. The foreground and background colors are programmable. In addition, the gm2121 OSD controller can be used to produce other patterns.

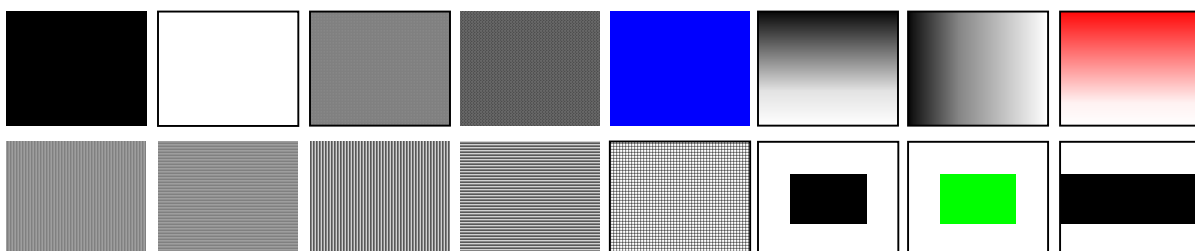


Figure 14. Some of gm2121 built-in test patterns

The DDC2Bi port can be used for factory testing. The factory test station connects to the gm2121 through the Direct Data Channel (DDC) of the DSUB15 connector. Then, the PC can make gm2121 display test patterns (see section 4.4). A camera can be used to automate the calibration of the LCD panel.

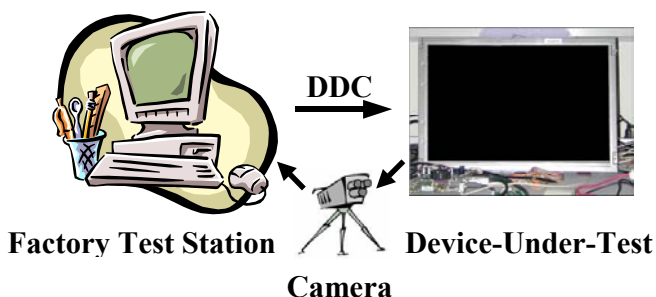


Figure 15. Factory Calibration and Test Environment

4.5 Input Format Measurement

The gm2121 has an Input Format Measurement block (the IFM) providing the capability of measuring the horizontal and vertical timing parameters of the input video source. This information may be used to determine the video format and to detect a change in the input format. It is also capable of detecting the field type of interlaced formats.

The IFM features a programmable reset, separate from the regular gm2121 soft reset. This reset disables the IFM, reducing power consumption. The IFM is capable of operating while gm2121 is running in power down mode.

Horizontal measurements are measured in terms of the selected IFM_CLK (either TCLK or RCLK/4), while vertical measurements are measured in terms of HSYNC pulses.

For an overview of the internally synthesized clocks, see section 4.1.

4.5.1 HSYNC / VSYNC Delay

The active input region captured by the gm2121 is specified with respect to internal HSYNC and VSYNC. By default, internal syncs are equivalent to the HSYNC and VSYNC at the input pins and thus force the captured region to be bounded by external HSYNC and VSYNC timing. However, the gm2121 provides an internal HSYNC and VSYNC delay feature that removes this limitation. This feature is available for use with the ADC input. By delaying the sync internally, the gm2121 can capture data that spans across the sync pulse.

It is possible to use HSNYC and VSYNC delay for image positioning. (Alternatively, Source_HSTART and Source_VSTART in Figure 13 are used for image positioning of analog input.) Taken to an extreme, the intentional movement of images across apparent HSYNC and VSYNC boundaries creates a horizontal and/or vertical wrap effect.

HSYNC is delayed by a programmed number of selected input clocks.

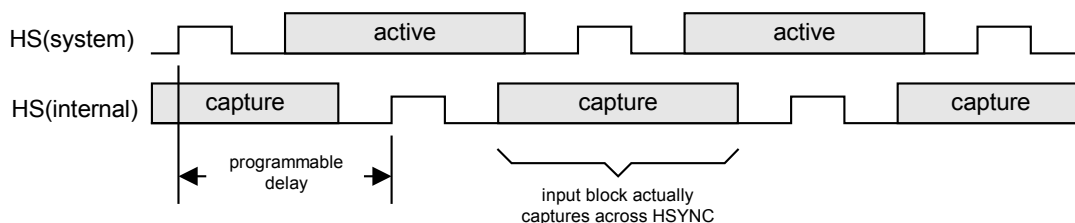


Figure 16. HSYNC Delay

Delayed horizontal sync may be used to solve a potential problem with VSYNC jitter with respect to HSYNC. VSYNC and HSYNC are generally driven active coincidentally, but with different paths to the gm2121 (HSYNC is often regenerated from a PLL). As a result, VSYNC may be seen earlier or later. Because VSYNC is used to reset the line counter and HSYNC is used to increment it, any difference in the relative position of HSYNC and VSYNC is seen on-screen as vertical jitter. By delaying the HSYNC a small amount, it can be ensured that VSYNC always resets the line counter prior to it being incremented by the “first” HSYNC.

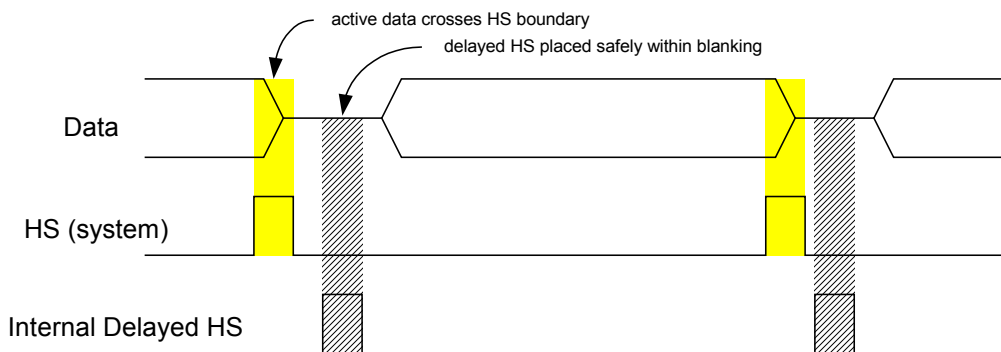


Figure 17. Active Data Crosses HSYNC Boundary

4.5.2 Horizontal and Vertical Measurement

The IFM is able to measure the horizontal period and active high pulse width of the HSYNC signal, in terms of the selected clock period (either TCLK or RCLK/4.). Horizontal measurements are performed on only a single line per frame (or field). The line used is programmable. It is able to measure the vertical period and VSYNC pulse width in terms of rising edges of HSYNC.

Once enabled, measurement begins on the rising VSYNC and is completed on the following rising VSYNC. Measurements are made on every field / frame until disabled.

4.5.3 Format Change Detection

The IFM is able to detect changes in the input format relative to the last measurement and then alert both the system and the on-chip microcontroller. The microcontroller sets a measurement difference threshold separately for horizontal and vertical timing. If the current field / frame timing is different from the previously captured measurement by an amount exceeding this threshold, a status bit is set. An interrupt can also be programmed to occur.

4.5.4 Watchdog

The watchdog monitors input VSYNC / HSYNC. When any HSYNC period exceeds the programmed timing threshold (in terms of the selected IFM_CLK), a register bit is set. When any VSYNC period exceeds the programmed timing threshold (in terms of HSYNC pulses), a second register bit is set. An interrupt can also be programmed to occur.

4.5.5 Internal Odd/Even Field Detection (For Interlaced Inputs to ADC Only)

The IFM has the ability to perform field decoding of interlaced inputs to the ADC. The user specifies start and end values to outline a “window” relative to HSYNC. If the VSYNC leading edge occurs within this window, the IFM signals the start of an ODD field. If the VSYNC leading edge occurs outside this window, an EVEN field is indicated (the interpretation of odd and even can be reversed). The window start and end points are selected from a predefined set of values.

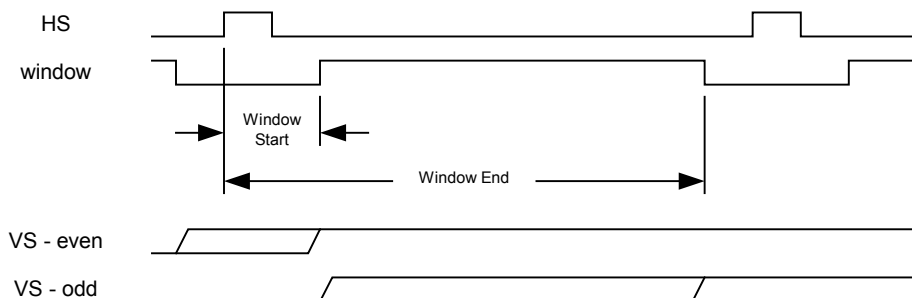


Figure 18. ODD/EVEN Field Detection

4.5.6 Input Pixel Measurement

The gm2121 provides a number of pixel measurement functions intended to assist in configuring system parameters such as pixel clock, SDDS sample clocks per line and phase setting, centering the image, or adjusting the contrast and brightness.

4.5.7 Image Phase Measurement

This function measures the sampling phase quality over a selected active window region. This feature may be used when programming the source DDS to select the proper phase setting. Please refer to the gm2121 Programming Guide for the optimized algorithm.

4.5.8 Image Boundary Detection

The gm2121 performs measurements to determine the image boundary. This information is used when programming the Active Window and centering the image.

4.5.9 Image Auto Balance

The gm2121 performs measurements on the input data that is used to adjust brightness and contrast.

4.6 RealColor™ Digital Color Controls

The gm2121 provides high-quality digital color controls. These consist of a subtractive "black level" stage, followed by a full 3x3 RGB matrix multiplication stage, followed by a signed offset stage as shown in Figure 19.

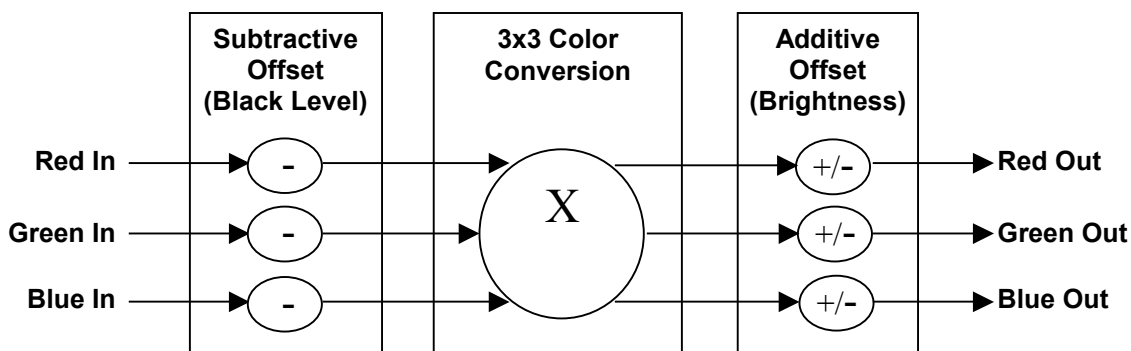


Figure 19. RealColor™ Digital Color Controls

This structure can accommodate all RGB color controls such as black-level (subtractive stage), contrast (multiplicative stage), and brightness (signed additive offset). In addition, it supports all YUV color controls including brightness (additive factor applied to Y), contrast (multiplicative factor applied to Y), hue (rotation of U and V through an angle) and saturation (multiplicative factor applied to both Y and V).

To provide the highest color purity all mathematical functions use 10 bits of accuracy. The final result is then dithered to eight or six bits (as required by the LCD panel).

4.6.1 RealColor™ Flesh tone Adjustment

The human eye is more sensitive to variations of flesh tones than other colors; for example, the user may not care if the color of grass is modified slightly during image capture and/or display. However, if skin tones are modified by even a small amount, it is unacceptable. The gm2121 features flesh tone adjustment capabilities. This feature is not based on lookup tables, but rather a manipulation of YUV-channel parameters. Flesh tone adjustment is available for all inputs.

4.6.2 Color Standardization and sRGB Support

Internet shoppers may be very picky about what color they experience on the display. gm2121 RealColor™ digital color controls can be used to make the color response of an LCD monitor compliant with standard color definitions, such as sRGB. sRGB is a standard for color exchange proposed by Microsoft and HP (see www.srgb.com). gm2121 RealColor controls can be used to make LCD monitors sRGB compliant, even if the native response of the LCD panel itself is not.

4.7 High-Quality Scaling

The gm2121 zoom scaler uses an adaptive scaling technique proprietary to Genesis Microchip Inc., and provides high quality scaling of real time video and graphics images. An input field/frame is scalable in both the vertical and horizontal dimensions.

Interlaced fields may be spatially de-interlaced by vertically scaling and repositioning the input fields to align with the output display's pixel map.

4.7.1 Variable Zoom Scaling

The gm2121 scaling filter can combine its advanced scaling with a pixel-replication type scaling function. This is useful for improving the sharpness and definition of graphics when scaling at high zoom factors (such as VGA to SXGA).

4.7.2 Horizontal and Vertical Shrink

The gm2121 provides an arbitrary horizontal and vertical shrink down to (50% + 1 pixel/line) of the original image size. This allows the gm2121 to capture and display images one VESA standard format larger than the native display resolution. For example, UXGA may be captured and displayed on an SXGA panel.

4.8 Bypass Options

The gm2121 has the capability to completely bypass internal processing. In this case, captured input signals and data are passed, with a small register latency, straight through to the display output.

The gm2121 is also able to bypass the zoom filter.

4.9 Gamma LUT

The gm2121 provides an 8 to 10-bit look-up table (LUT) for each input color channel intended for Gamma correction and to compensate for a non-linear response of the LCD panel. A 10-bit output results in an improved color depth control. The 10-bit output is then dithered down to 8 bits (or 6 bits) per channel at the display (see section 4.10.3 below). The LUT is user programmable to provide an arbitrary transfer function. Gamma correction occurs after the zoom / shrink scaling block.

The LUT has bypass enable. If bypassed, the LUT does not require programming.

4.10 Display Output Interface

The Display Output Port provides data and control signals that permit the gm2121 to connect to a variety of flat panel or CRT devices. The output interface is configurable for 18 or 24-bit RGB pixels, either single or double pixel wide. All display data and timing signals are synchronous with the DCLK output clock.

4.10.1 Display Synchronization

Refer to section 4.1 for information regarding internal clock synthesis.

The gm2121 supports the following display synchronization modes:

- **Frame Sync Mode:** The display frame rate is synchronized to the input frame or field rate. This mode is used for standard operation.
- **Free Run Mode:** No synchronization. This mode is used when there is no valid input timing (i.e. to display OSD messages or a splash screen) or for testing purposes. In free-run mode, the display timing is determined only by the values programmed into the display window and timing registers.

4.10.2 Programming the Display Timing

Display timing signals provide timing information so the Display Port can be connected to an external display device. Based on values programmed in registers, the Display Output Port produces the horizontal sync (DHS), vertical sync (DVS), and data enable (DEN) control signals, which are then encoded into the LVDS data stream by the on-chip LVDS transmitter. The figure below provides the registers that define the output display timing.

Horizontal values are programmed in single pixel increments relative to the leading edge of the horizontal sync signal. Vertical values are programmed in line increments relative to the leading edge of the vertical sync signal.

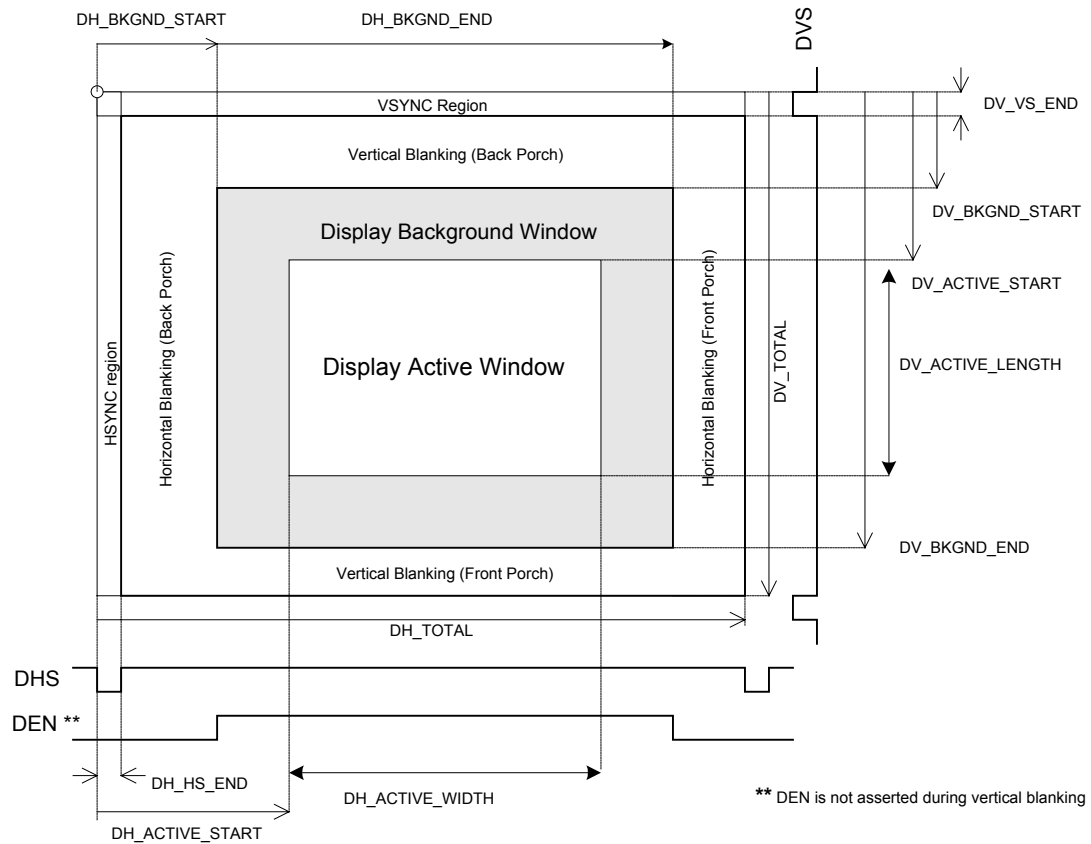


Figure 20. Display Windows and Timing

The double-wide output only supports an even number of horizontal pixels.

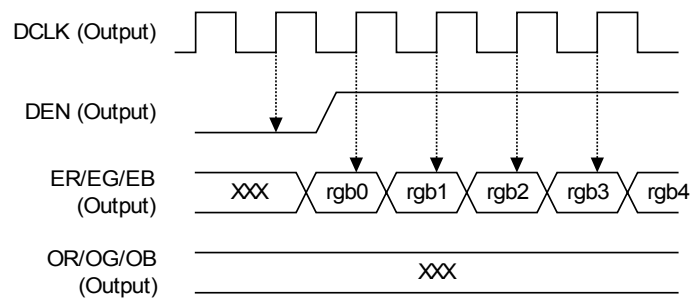


Figure 21. Single Pixel Width Display Data

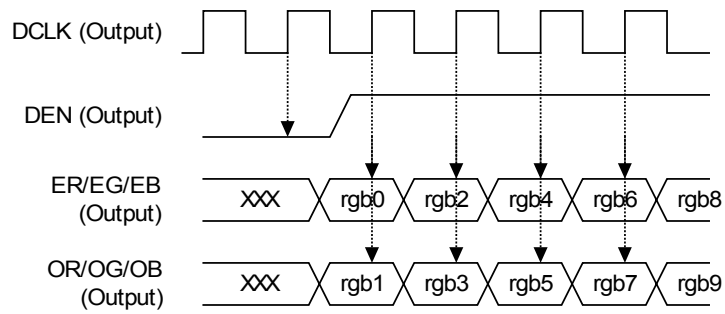


Figure 22. Double Pixel Wide Display Data

4.10.3 Panel Power Sequencing (PPWR, PBIAS)

gm2121 has two dedicated outputs PPWR and PBIAS to control LCD power sequencing once data and control signals are stable. The timing of these signals is fully programmable.

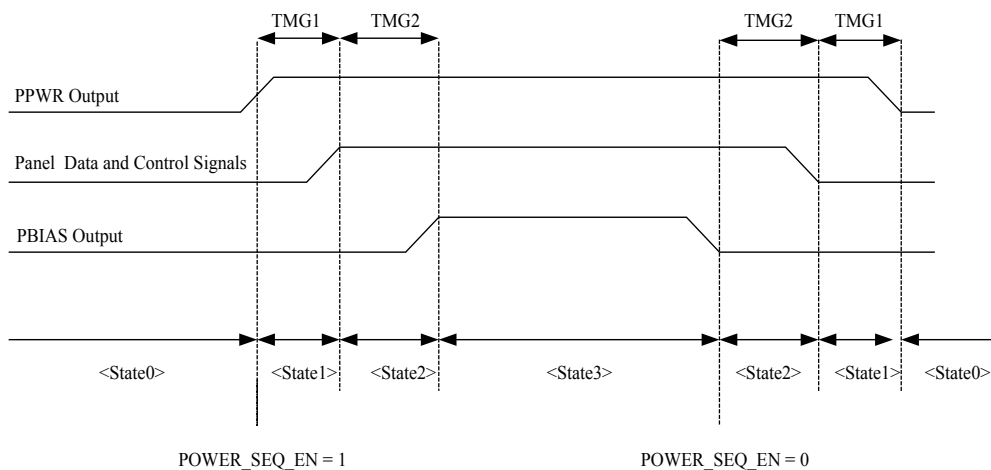


Figure 23. Panel Power Sequencing

4.10.4 Output Dithering

The Gamma LUT outputs a 10-bit value for each color channel. This value is dithered down to either 8-bits for 24-bit per pixel panels, or 6-bits for 18-bit per pixel panels.

The benefit of dithering is that the eye tends to average neighboring pixels and a smooth image free of contours is perceived. Dithering works by spreading the quantization error over neighboring pixels both spatially and temporally. Two dithering algorithms are available: random or ordered dithering. Ordered dithering is recommended when driving a 6-bit panel.

All gray scales are available on the panel output whether using 8-bit panel (dithering from 10 to 8 bits per pixel) or using 6-bit panel (dithering from 10 down to 6 bits per pixel).

4.11 Dual Four Channel LVDS Transmitter

The gm2121 implements the industry standard flexible four channel dual LVDS transmitter. The LVDS transmitter can support the following:

- Single or double pixel mode
- 24/48-bit panel mapping to the LVDS channels (see Table 14)
- 18/36-bit panel mapping to the LVDS channels (see Table 15)
- Programmable even/odd LVDS swapping
- Programmable channel swapping (the clocks are fixed)
- Programmable channel polarity swapping
- Support up to SXGA 75Hz output

Table 14. Supported LVDS 24-bit Panel Data Mapping

Channel 0	R0, R1, R2, R3, R4, R5, G0
Channel 1	G1, G2, G3, G4, G5, B0, B1
Channel 2	B2, B3, B4, B5, PHS, PVS, PDE
Channel 3	R6, R7, G6, G7, B6, B7, RES

Channel 0	R2, R3, R4, R5, R6, R7, G2
Channel 1	G3, G4, G5, G6, G7, B2, B3
Channel 2	B4, B5, B6, B7, PHS, PVS, PDE
Channel 3	R0, R1, G0, G1, B0, B1, RES

Table 15. Supported LVDS 18-bit Panel Data Mapping

Channel 0	R0, R1, R2, R3, R4, R5, G0
Channel 1	G1, G2, G3, G4, G5, B0, B1
Channel 2	B2, B3, B4, B5, PHS, PVS, PDE
Channel 3	Disabled for this mode

4.12 Energy Spectrum Management (ESM)

High spikes in the EMI power spectrum may cause LCD monitor products to violate emissions standards. The gm2121 has many features that can be used to reduce electromagnetic interference (EMI). These include drive strength control, dual-edge clocking and clock spectrum modulation. These features help to eliminate the costs associated with EMI reducing components and shielding.

4.13 OSD

The gm2121 has a fully programmable, high-quality OSD controller. The graphics are divided into “cells” 12 by 18 pixels in size. The cells are stored in an on-chip static RAM (4096 words by 24 bits) and can be

stored as 1-bit per pixel data, 2-bit per pixel data or 4-bit per pixel data. This permits a good compression ratio while allowing more than 16 colors in the image.

Some general features of the gm2121 OSD controller include:

OSD Position – The OSD menu can be positioned anywhere on the display region. The reference point is Horizontal and Vertical Display Background Start (DH_BKGND_START and DV_BKGND_START in Figure 20).

OSD Stretch – The OSD image can be stretched horizontally and/or vertically by a factor of two, three, or four. Pixel and line replication is used to stretch the image.

OSD Blending – Sixteen levels of blending are supported for the character-mapped and bitmapped images. One host register controls the blend levels for pixels with LUT values of 128 and greater, while another host register controls the blend levels for pixels with LUT values of 127 and lower. OSD color LUT value 0 is reserved for transparency and is unaffected by the blend attribute.

4.13.1 On-Chip OSD SRAM

The on-chip static RAM (4096 words by 24 bits) stores the cell map and the cell definitions.

In memory, the cell map is organized as an array of words, each defining the attributes of one visible character on the screen starting from upper left of the visible character array. These attributes specify which character to display, whether it is stored as 1, 2 or 4 bits per pixel, the foreground and background colors, blinking, etc.

Registers CELLMAP_XSZ and CELLMAP_YSZ are used to define the visible area of the OSD image. For example, Figure 24 shows a cell map for which CELLMAP_XSZ =25 and CELLMAP_YSZ =10.

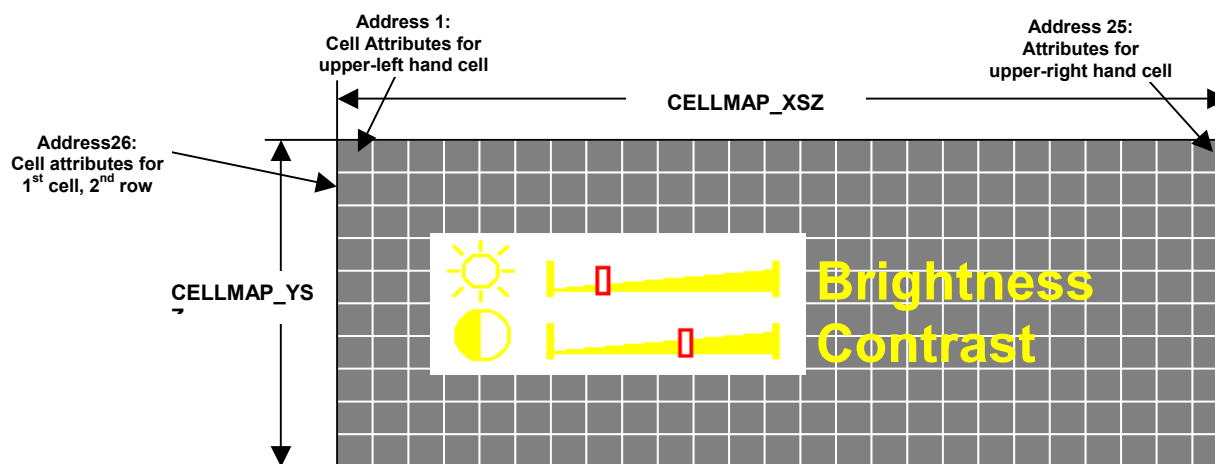


Figure 24. OSD Cell Map

Cell definitions are stored as bit map data. On-chip registers point to the start of 1-bit per pixel definitions, 2-bit per pixel definitions and 4-bit per pixel definitions respectively. 1, 2 and 4-bit per pixel cell definitions require 9, 18 and 36 words of the OSD RAM respectively.

Note that the cell map and the cell definitions share the same on-chip RAM. Thus, the size of the cell map can be traded off against the number of different cell definitions. In particular, the size of the OSD image and the number of cell definitions must fit in OSD SRAM. That is, the following inequality must be satisfied. (Note, the ROUND operation rounds 3.5 to 4).

$$\begin{aligned} &(\text{CELLMAP_XSZ}+1) * \text{CELLMAP_YSZ} + \\ &18 * \text{ROUND}(\text{Number of 1-bit per pixel fonts} / 2) + \\ &18 * (\text{Number of 2-bit per pixel fonts}) + \\ &36 * (\text{Number of 4-bit per pixel fonts}) \quad \leq 4096 \end{aligned}$$

For example, an OSD menu 360 pixels wide by 360 pixels high is 30 cells in width and 20 cells in height. Many of these cells would be the same (e.g. empty). In this case, the menu could contain more than 32 1-bit per pixel cells, 100 2-bit per pixel cells, and 16 4-bit per pixel cells. Of course, different numbers of each type can also be used.

4.13.2 Color Look-up Table (LUT)

Each pixel of a displayed cell is resolved to an 8-bit color code. This selected color code is then transformed to a 24-bit value using a 256 x 24-bit look up table. This LUT is stored in an on-chip RAM that is separate from the OSD RAM. Color index value 0x00 is reserved for transparent OSD pixels.

4.14 On-Chip Microcontroller (OCM)

The gm2121 on-chip microcontroller (OCM) serves as the system microcontroller. It programs the gm2121 and manages other devices in the system such as the keypad, the back light and non-volatile RAM (NVRAM) using general-purpose input/output (GPIO) pins.

The OCM can operate in two configurations, Standalone configuration and Full-Custom configuration, as illustrated in Figure 25.

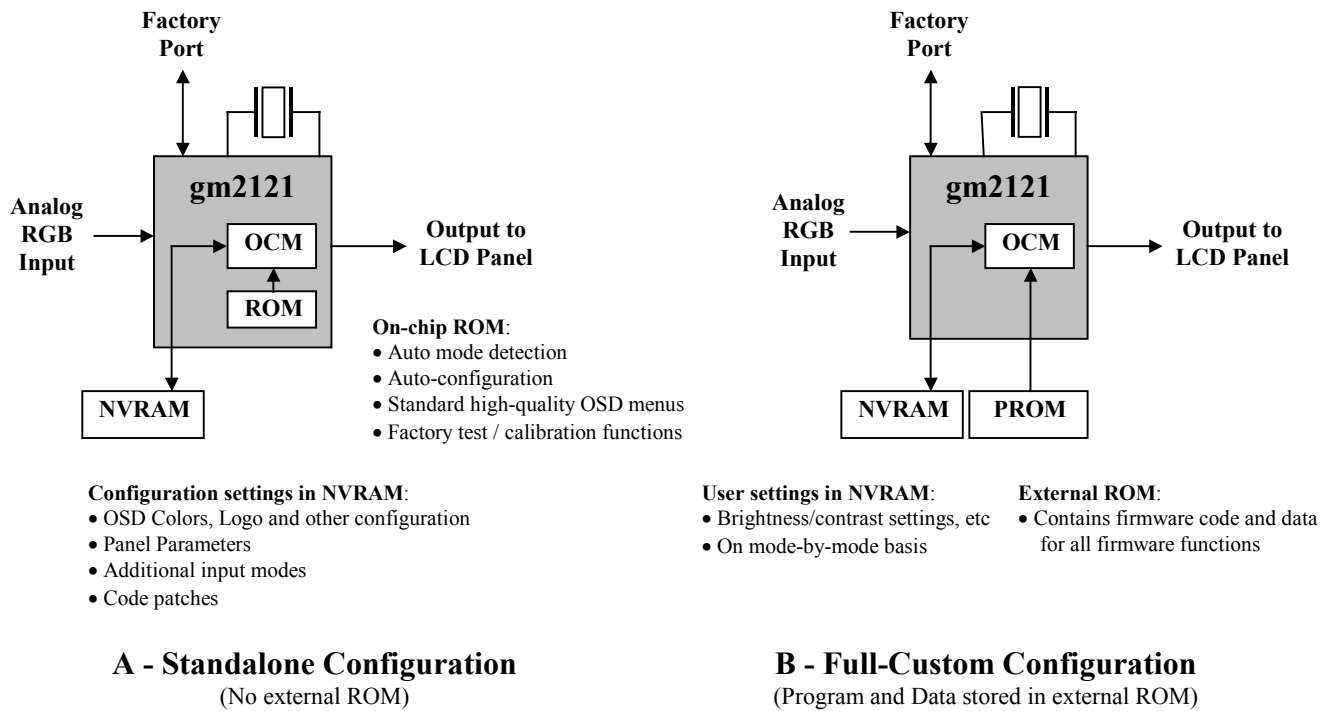


Figure 25. OCM Full-Custom and Standalone Configurations

4.14.1 Standalone Configuration

Standalone configuration offers the most simple and inexpensive system solution for generic LCD monitors. In this configuration the OCM executes firmware stored internally in gm2121. The baud rate for serial communication (in standalone configuration) is determined by two bootstrap resistors on ROMADDR11 (TCLK_SEL1, pin 145) and ROMADDR10 (TCLK_SEL0, pin 146). The on-chip firmware provides all the standard functions required in a high-quality generic LCD monitor. This includes mode-detection, auto-configuration and a high-quality standard OSD menu system. No external ROM is required (which reduces BOM cost) and no firmware development effort is required (which reduces time-to-market).

In Standalone configuration many customization parameters are stored in NVRAM. These include the LCD panel timing parameters, the color scheme and logos used in the OSD menus, the functions provided by the OSD menus, and arbitrary firmware modifications. These customization parameters are described in the Standalone User's Guide (B0108-SUG-01). Based on the customization parameters, G-Wizard (a GUI-based development tool used to program Genesis devices) produces the hex image file for NVRAM. G-Probe is then used to download the NVRAM image file into the NVRAM device. This is illustrated in Figure 26 below.

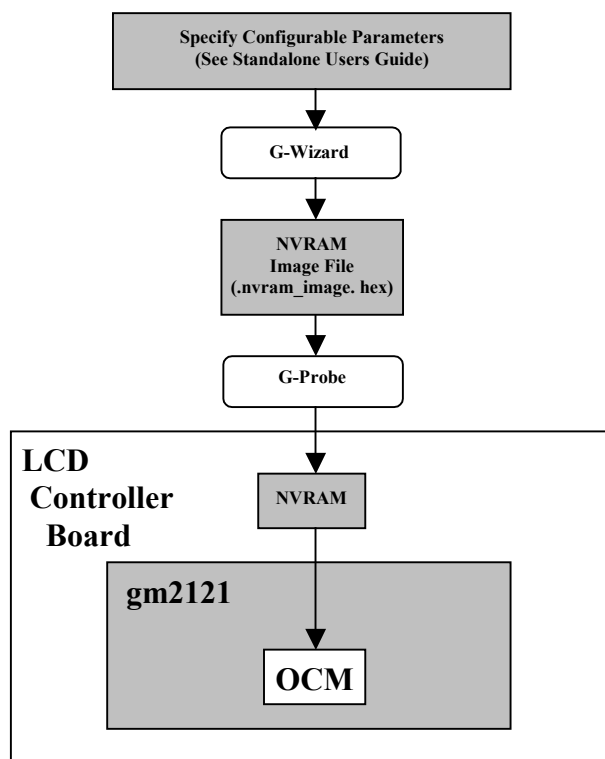


Figure 26. Programming OCM in Standalone Configuration

4.14.2 Full-Custom Configuration

In full-custom configuration the OCM executes a firmware program running from external ROM. A parallel port with separate address and data busses is available for this purpose. This port connects directly to standard, commercially available ROM or programmable Flash ROM devices. Normally 64KB or 128KB of ROM is required.

Both instructions and data are fetched from external ROM on a cycle-by-cycle basis. The external ROM access speed on the parallel port is determined by the gm2121 internal OCM_CLK, which is derived from the TCLK. As a result, the external ROM device’s access speed requirements are directly related to the TCLK frequency. For the detailed timing requirements see section 5.3 “External ROM Interface Timing Requirements”).

To program gm2121 in full-custom configuration the content of the external ROM is generated using Genesis software development tools G-Wizard and OSD-Workbench. This is illustrated in Figure 27. G-Wizard is a GUI-based tool for capturing system information such as panel timing, support modes, system configuration, etc. OSD-Workbench is a GUI based tool for defining OSD menus and functionality.

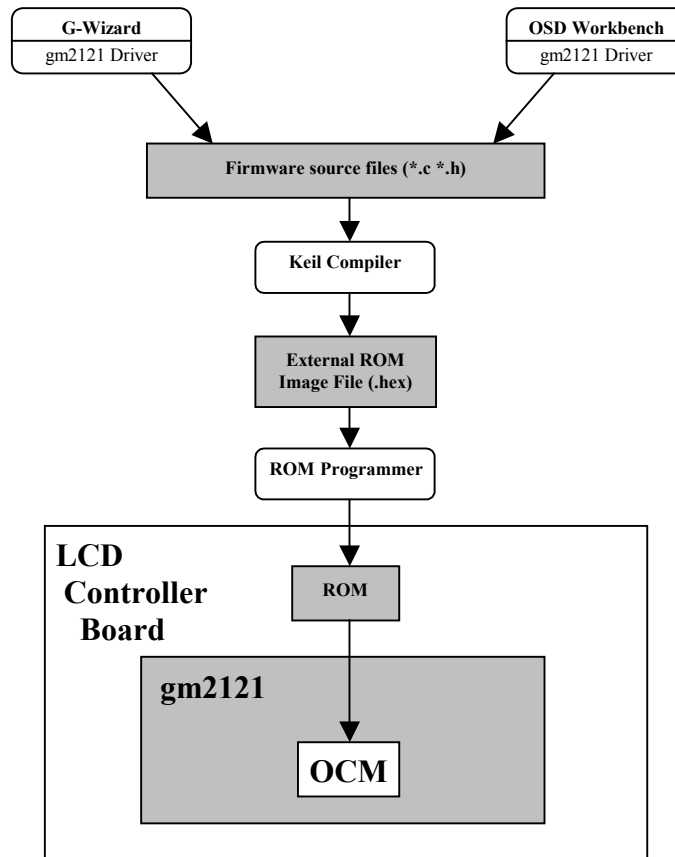


Figure 27. Programming the OCM in Full-Custom Configuration

Genesis recommends using Keil compiler (<http://www.keil.com/>) to compile the firmware source code into a hex file. This hex file is then downloaded into the external ROM using commercially available ROM programmers.

For development purposes it may be useful to use a ROM emulator. For example, a PROMJET ROM emulator can be used (<http://www.emutec.com/pjetmain.html>).

4.14.3 In-System-Programming (ISP) of FLASH ROM Devices

Gm2121 has hardware to program FLASH ROM devices. In particular, the GPIO11/ROM_WEn pin can be connected to the write enable of the FLASH ROM. Firmware is then used to perform the writes using the gm2121host registers.

4.14.4 UART Interface

The gm2121 OCM has an integrated Universal Asynchronous Remote Terminal (UART) port that can be used as a factory debug port. In particular, the UART can be used to 1) read / write chip registers, 2) read / write to NVRAM, and 3) read / write to FLASH ROM.

The UART is connected to pins GPIO4/UART_DI and GPIO5/UART_DO. gm2121 has serial-to-parallel conversion hardware which is accessed by firmware.

Note: Install 10KΩ pull-ups on UART according to Table 3.

4.14.5 DDC2Bi Interface

The gm2121 also features hardware support for DDC2Bi communication over the DDC channel of the analog input ports. The specification for the DDC2Bi standard can be obtained from VESA (www.vesa.org). The DDC2Bi port can be used as a factory debug port or for field programming. In particular, the DDC2Bi port can be used to 1) read / write chip registers (see section 4.15 below), 2) read / write to NVRAM (see section 4.13.1 above), and 3) read / write to FLASH ROM (see section 4.13.3 above).

For DDC2Bi communication over the analog VGA connector pins GPIO22/HCLK and GPIO16/HFSn should be connected to the DDC clock and data pins of the analog DSUB15 VGA connector. gm2121 contains serial to parallel conversion hardware, that is then accessed by firmware for interpretation and execution of the DDC2Bi command set. Bootstrap option ROM_ADDR12 (pin 142) is used to select the pin pair to be used for DDC2Bi communication. This signal (named DDC_PORT_SEL) selects between DDC2Bi interface or GPIO functions for pin pairs 8 (GPIO22/HCLK), 9 (GPIO16/HFSn) and 18 (GPIO15/DDC_SCL), 19 (GPIO14/DDC_SDA) for the internal standalone firmware. See the truth table below for further details.

DDC2Bi Pin pair	Pin number (Port Function)	DDC_PORT_SEL = '0' ROM_ADDR12 (pin 142) pulled LOW	DDC_PORT_SEL = '1' ROM_ADDR12 (pin 142) pulled HIGH
Pin pair HFSn / HCLK	Pin 8 (GPIO22/HCLK)	GPIO22	HCLK
	Pin 9 (GPIO16/HFSn)	GPIO16	HFSn
Pin pair DDC_SDA / DDC_SCL	Pin 18 (GPIO15/DDC_SCL)	DDC_SCL	GPIO15
	Pin 19 (GPIO14/DDC_SDA)	DDC_SDA	GPIO14

4.14.6 General Purpose Inputs and Outputs (GPIO's)

The gm2121 has 23 general-purpose input/output (GPIO) and 8 general-purpose output (GPO) pins. These are used by the OCM to communicate with other devices in the system such as keypad buttons, NVRAM, LEDs, audio DAC, etc. Each GPIO has independent direction control, open drain enable, for reading and writing. The GPO's are shared with gm2121's TEST_BUS. To activate these GPO's set TEST_BUS_CONTROL (register 0x1E6) to 0x00 and TEST_BUS_EN (register 0x1E7 bit 2) to '1', pins 88-97 can function as general-purpose outputs GPO0-7. Note that the GPIO pins have alternate functionality as described in Table 16 below.

Table 16. gm2121 GPIOs and Alternative Functions

Pin Name	Pin Number	Alternative function
GPIO0/PWM0	23	PWM0, PWM1 and PWM2 back light intensity controls, as described in section 4.17.2 below.
GPIO1/PWM1	24	
GPIO2/PWM2	25	
GPIO3/TIMER1	26	Timer1 input of the OCM.
GPIO4/UART_DI	27	OCM UART data in/out signals respectively.
GPIO5/UART_D0	28	
GPIO6	29	
GPIO7	32	
GPIO8/IRQIn	22	OCM external interrupt source (IRQIn).
GPIO9	33	
GPIO10	34	
GPIO11/ROM_WEn	35	Write enable for external ROM if programmable FLASH device is used.
GPIO12/NVRAM_SDA	36	Data and clock lines for master 2-wire serial interface to NVRAM when gm2121 is used in standalone configuration (section 4.14.1).
GPIO13/NVRAM_SCL	37	
GPIO14/DDC_SCL	18	General-purpose input/output signals. Open drain option via register setting. [Bi-directional Input, Schmitt trigger (400mV typical hysteresis), 5V-tolerant]
GPIO15/DDC_SDA	19	
GPIO16/HFSn	9	Serial data line for 2-wire host interface.
GPIO17/HDATA0	13	
GPIO18/HDATA1	12	
GPIO19/HDATA2	11	
GPIO20/HDATA3	10	
GPIO21/IRQn	16	OCM interrupt output pin.
GPIO22/HCLK	8	Serial input clock for 2-wire host interface.
GPO 0	88	
GPO 1	89	
GPO 2	92	
GPO 3	93	
GPO 4	94	
GPO 5	95	
GPO 6	96	
GPO 7	97	

4.15 Bootstrap Configuration Pins

During hardware reset, the external ROM address pins ROM_ADDR[15:0] are configured as inputs. On the negating edge of RESETn, the value on these pins is latched and stored. This value is readable by the on-chip microcontroller (or an external microcontroller via the host interface). Install a 10K pull-up resistor to indicate a '1', otherwise a '0' is indicated because ROM_ADDR[15:0] have a 60KΩ internal pull-down resistor.

Table 17. Bootstrap Signals

Signal Name	Pin Name	Description
HOST_ADDR(6:0)	ROM_ADDR(6:0)	If using 2-wire host protocol, these are the serial bus device address.
HOST_PROTOCOL	ROM_ADDR7	Program this bit to 0 for 2-wire host interface operation.
HOST_PORT_EN	ROM_ADDR8	Program this bit to 0 for 2-wire host interface operation. Note: For DDC2Bi operation on HCLK/HFSn (recommended) set to 0 (unconnected).
OCM_START	ROM_ADDR9	Determines the operating condition of the OCM after HW reset: 0 = OCM remains in reset until enabled by register bit. 1 = OCM becomes active after OCM_CLK is stable.
DDC_PORT_SEL	ROM_ADDR12	Selects the pin pair to be used for DDC2Bi communication for the standalone firmware (standalone configuration is selected when bootstrap of ROM_ADDR14 = 0) 0 = GPIO14/DDC_SCL and GPIO15/DDC_SDA 1 = GPIO22/HCLK and GPIO16/HFSn

Signal Name	Pin Name	Description
TCLK_SEL1 TCLK_SEL0	ROM_ADDR11 ROM_ADDR10	Selects the for the standalone firmware UART baud rate depending on the frequency of the TCLK crystal (TCLK_SEL1, TCLK_SEL0) 00 = 115.2 KBaud (for TCLK = 14.3 MHz) 01 = 57.6 KBaud (for TCLK = 20 MHz) 10 = 57.6 KBaud (for TCLK = 24 MHz) 11 = 57.6 KBaud (for TCLK = 14.3 MHz)
OSC_SEL	ROM_ADDR13	Selects reference clock source (refer to Figure 7): 0 = XTAL and TCLK pins are connected to a crystal oscillator. 1 = TCLK input is driven with a single-ended TTL/CMOS clock oscillator.
OCM_ROM_CNFG(1)	ROM_ADDR14	Together with OCM_CONTROL register (0x22) bit 4, this bit selects internal/external ROM configuration. 0 = All 48K of ROM is internal. 1 = All 48K of ROM is in external ROM using ROM_ADDR15:0 address outputs if register 0x22 bit 4 is 0. If register 0x22 bit 4 is 1, 0-32K ROM is internal, and 32K~48K ROM is external using ROM_ADDR13:0 address outputs. Note: When booting from internal ROM (standalone configuration) the embedded firmware checks for a signature in external ROM (values 0x89, 0xAB, 0xCD, 0xEF at addresses 0xFFFFC, 0xFFFFD, 0xFFFFE, 0xFFFFF) and if present then OCM begins executing from address 0x0000 of external ROM (i.e. full-custom configuration).
PBIAS_POL	ROM_ADDR15	Sets the polarity of the PBIAS signal after the RESET sequence. This is to prevent flashing during power up, for panels with active LOW panel enable signal. 0 = PBIAS set to LOW after RESET 1 = PBIAS set to HIGH after RESET

4.16 Host Interface

gm2121 contains many internal registers that control its operation. These are described in the gm2121 Register Listing (C2121-DSL-01).

A serial host interface is provided to allow an external device to peek and poke registers in the gm2121. This is done using a 2-wire serial protocol. Note that 2-wire host interface requires bootstrap settings as described in Table 17.

An arbitration mechanism ensures that register accesses from the OCM and the 2-wire host interface port are always serviced (time division multiplexing).

4.16.1 Host Interface Command Format

Transactions on the 2-wire host protocol occurs in integer multiples of bytes (i.e. 8 bits or two nibbles respectively). These form an instruction byte, a device register address and/or one or more data bytes. This is described in Table 18.

The first byte of each transfer indicates the type of operation to be performed by the gm2121. The table below lists the instruction codes and the type of transfer operation. The content of bytes that follow the instruction byte will vary depending on the instruction chosen. By utilizing these modes effectively, registers can be quickly configured.

The two LSBs of the instruction code, denoted 'A9' and 'A8' in Table 18 below, are bits 9 and 8 of the internal register address respectively. Thus, they should be set to '00' to select a starting register address of less than 256, '01' to select an address in the range 256 to 511, and '10' to select an address in the range 512 to 767. These bits of the address increment in Address Increment transfers. The unused bits in the instruction byte, denoted by 'x', should be set to '1'.

Table 18. Instruction Byte Map

Bit 7 6 5 4 3 2 1 0	Operation Mode	Description
0 0 0 1 x x A9 A8	Write Address Increment	Allows the user to write a single or multiple bytes to a specified starting address location. A Macro operation will cause the internal address pointer to increment after each byte transmission. Termination of the transfer will cause the address pointer to increment to the next address location.
0 0 1 0 x x A9 A8	Write Address No Increment (for table loading)	
1 0 0 1 x x A9 A8	Read Address Increment	Allows the user to read multiple bytes from a specified starting address location. A Macro operation will cause the internal address pointer to increment after each read byte. Termination of the transfer will cause the address pointer to increment to the next address location.
1 0 1 0 x x A9 A8	Read Address No Increment (for table reading)	
0 0 1 1 x x A9 A8 0 1 0 0 x x A9 A8 1 0 0 0 x x A9 A8 1 0 1 1 x x A9 A8 1 1 0 0 x x A9 A8	Reserved	
0 0 0 0 x x A9 A8 0 1 0 1 x x A9 A8 0 1 1 0 x x A9 A8 0 1 1 1 x x A9 A8 1 1 0 1 x x A9 A8 1 1 1 0 x x A9 A8 1 1 1 1 x x A9 A8	Spare	No operation will be performed

4.16.2 2-wire Serial Protocol

The 2-wire protocol consists of a serial clock HCLK and bi-directional serial data line HFSn. The bus master drives HCLK and either the master or slave can drive the HFSn line (open drain) depending on whether a read or write operation is being performed. The gm2121 operates as a slave on the interface.

The 2-wire protocol requires each device be addressable by a 7-bit identification number. The gm2121 is initialized on power-up to 2-wire mode by asserting bootstrap pins HOST_PROTOCOL=0 and the device identification number on HOST_ADDR(6:0) on the rising edge of RESETn (see Table 17). This provides flexibility in system configuration with multiple devices that can have the same address.

A 2-wire data transfer consists of a stream of serially transmitted bytes formatted as shown in the figure below. A transfer is initiated (START) by a high-to-low transition on HFSn while HCLK is held high. A transfer is terminated by a STOP (a low-to-high transition on HFSn while HCLK is held high) or by a START (to begin another transfer). The HFSn signal must be stable when HCLK is high, it may only change when HCLK is low (to avoid being misinterpreted as START or STOP).

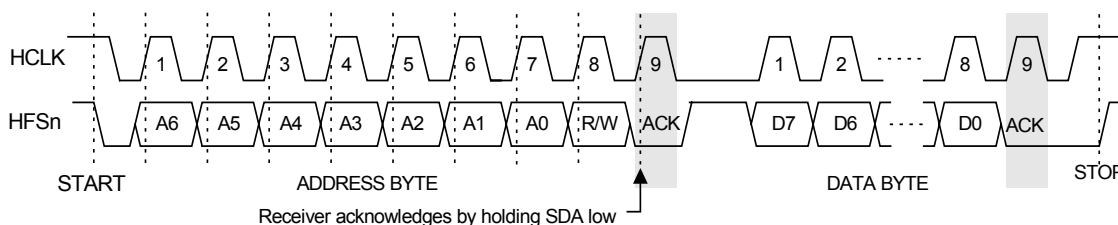


Figure 28. 2-Wire Protocol Data Transfer

Each transaction on the HFSn is in integer multiples of 8 bits (i.e. bytes). The number of bytes that can be transmitted per transfer is unrestricted. Each byte is transmitted with the most significant bit (MSB) first. After the eight data bits, the master releases the HFSn line and the receiver asserts the HFSn line low to

acknowledge receipt of the data. The master device generates the HCLK pulse during the acknowledge cycle. The addressed receiver is obliged to acknowledge each byte that has been received.

The Write Address Increment and the Write Address No Increment operations allow one or multiple registers to be programmed with only sending one start address. In Write Address Increment, the address pointer is automatically incremented after each byte has been sent and written. The transmission data stream for this mode is illustrated in Figure 29 below. The highlighted sections of the waveform represent moments when the transmitting device must release the HFSn line and wait for an acknowledgement from the gm2121 (the slave receiver).

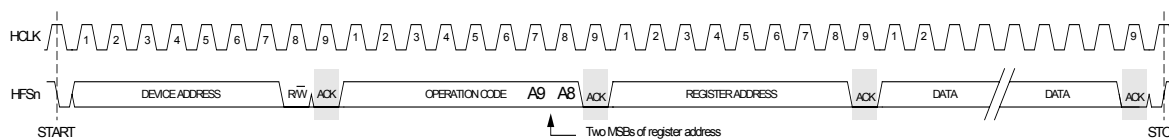


Figure 29. 2-Wire Write Operations (0x1x and 0x2x)

The Read Address Increment (0x90) and Read Address No Increment (0xA0) operations are illustrated in Figure 30. The highlighted sections of the waveform represent moments when the transmitting device must release the HFSn line and waits for an acknowledgement from the master receiver.

Note that on the last byte read, no acknowledgement is issued to terminate the transfer.

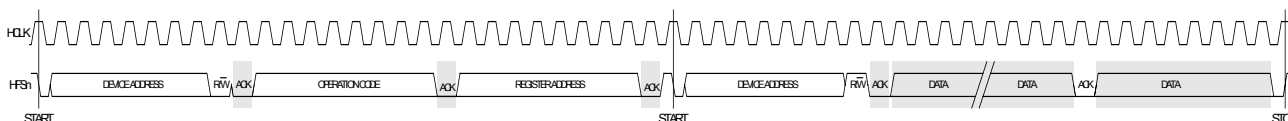


Figure 30. 2-Wire Read Operation (0x9x and 0xAx)

Please note that in all the above operations the operation code includes two address bits, as described in Table 18.

4.17 Miscellaneous Functions

4.17.1 Low Power State

The gm2121 provides a low power state in which the clocks to selected parts of the chip may be disabled (see Table 20).

4.17.2 Pulse Width Modulation (PWM) Back Light Control

Many of today's LCD back light inverters require both a PWM input and variable DC voltage to minimize flickering (due to the interference between panel timing and inverter's AC timing), and adjust brightness. Most LCD monitor manufactures currently use a microcontroller to provide these control signals. To minimize the burden on the external microcontroller, the gm2121 generates these signals directly.

There are three pins available for controlling the LCD back light, PWM0 (GPIO0), PWM1 (GPIO1) and PWM2 (GPIO2). The duty cycle of these signals is programmable. They may be connected to an external RC integrator to generate a variable DC voltage for a LCD back light inverter. Panel HSYNC is used as the clock for a counter generating this output signal.

5 Electrical Specifications

The following targeted specifications have been derived by simulation.

5.1 Preliminary DC Characteristics

Table 19. Absolute Maximum Ratings

PARAMETER	SYMBOL	MIN	TYP	MAX	UNITS
3.3V Supply Voltages ^(1,2)	V _{VDD_3.3}	-0.3		3.6	V
2.5V Supply Voltages ^(1,2)	V _{VDD_2.5}	-0.3		2.75	V
Input Voltage (5V tolerant inputs) ^(1,2)	V _{IN5Vtol}	-0.3		5.5	V
Input Voltage (non 5V tolerant inputs) ^(1,2)	V _{IN}	-0.3		3.6	V
Electrostatic Discharge	V _{ESD}			±2.0	kV
Latch-up	I _{LA}			±100	mA
Ambient Operating Temperature	T _A	0		70	°C
Storage Temperature	T _{STG}	-40		125	°C
Operating Junction Temp.	T _J	0		125	°C
Thermal Resistance (Junction to Air) Natural Convection ⁽³⁾	θ _{JA}			29.4	°C/W
Thermal Resistance (Junction to Case) Convection ⁽⁴⁾	θ _{JC}			13.2	°C/W
Soldering Temperature (30 sec.)	T _{SOL}			220	°C
Vapor Phase Soldering (30 sec.)	T _{VAP}			220	°C

NOTES:

- (1) All voltages are measured with respect to GND.
- (2) Absolute maximum voltage ranges are for transient voltage excursions.
- (3) Package thermal resistance is based on a PCB with one signal plane and two power planes. Package θ_{JA} is improved on a PCB with four or more layers.
- (4) Based on the figures for the Operating Junction Temperature, θ_{JC} and Power Consumption in Table 20, the typical case temperature is calculated as T_C = T_J - P x θ_{JC}. This equals 102 degrees Celsius.

Table 20. DC Characteristics

PARAMETER	SYMBOL	MIN	TYP	MAX ⁽¹⁾	UNITS
POWER					
Power Consumption @ 135 MHz	P		1.57	1.726	W
Power Consumption @ Low Power Mode ⁽²⁾	P _{LP}	0.076			W
3.3V Supply Voltages	V _{VDD_3.3}	3.0	3.3	3.6	V
2.5V Supply Voltages	V _{VDD_2.5}	2.25	2.5	2.75	V
Supply Current @ Low Power Mode ⁽²⁾	I _{LP}		28		mA
Total Supply Current @ CLK =135MHz	I		597	656	mA
• 2.5V digital supply ⁽³⁾	I _{2.5V_VDD}		412	468	mA
• 2.5V analog supply ⁽⁴⁾	I _{2.5V_AVDD}		80	80	mA
• 3.3V digital supply ⁽⁵⁾	I _{3.3V_VDD}		8	11	mA
• 3.3V analog supply ⁽⁶⁾	I _{3.3V_AVDD}		97	97	mA
INPUTS					
High Voltage	V _{IH}	2.0		V _{DD}	V
Low Voltage	V _{IL}	GND		0.8	V
Clock High Voltage	V _{IHC}	2.4		V _{DD}	V
Clock Low Voltage	V _{ILC}	GND		0.4	V
High Current (V _{IN} = 5.0 V)	I _{IH}	-25		25	μA
Low Current (V _{IN} = 0.8 V)	I _{IL}	-25		25	μA
Capacitance (V _{IN} = 2.4 V)	C _{IN}			8	pF
OUTPUTS					
High Voltage (I _{OH} = 7 mA)	V _{OH}	2.4		V _{DD}	V
Low Voltage (I _{OL} = -7 mA)	V _{OL}	GND		0.4	V
Tri-State Leakage Current	I _{OZ}	-25		25	μA

NOTES:

- (1) Maximum current figures are provided for the purposes of selecting an appropriate power supply circuit.
- (2) Low power figures result from setting the ADC and clock power down bits so that only the micro-controller is running.
- (3) Includes 2.5V digital core (CVDD)
- (4) Includes pins VDD1_ADC_2.5, VDD2_ADC_2.5 and LVDS transmitter power pins
- (5) Includes pins VDD_DPLL, VDD_SDDS, VDD_DDDS and RVDD.
- (6) Includes pins AVDD_ADC, AVDD_RED, AVDD_GREEN, AVDD_BLUE, AVDD_RPLL, AVDD_SDDS, and AVDD_DDDS.

5.2 Preliminary AC Characteristics

The following targeted specifications have been derived by simulation.

All timing is measured to a 1.5V logic-switching threshold. The minimum and maximum operating conditions used were: $T_{DIE} = 0$ to 125°C , $V_{DD} = 2.35$ to 2.65V , Process = best to worst, $C_L = 16\text{pF}$ for all outputs.

Table 21. Maximum Speed of Operation

Clock Domain	Max Speed of Operation
Main Input Clock (TCLK)	24 MHz (20.0MHz recommended)
ADC Clock (ACLK)	162.5MHz
HCLK Host Interface Clock (6-wire protocol)	5 MHz
Input Format Measurement Clock (IFM_CLK)	50MHz (20.0MHz recommended)
Reference Clock (RCLK)	200MHz (200MHz recommended)
On-Chip Microcontroller Clock (OCM_CLK)	100 MHz
Display Clock (DCLK)	135 MHz

Table 22. Display Timing and DCLK Adjustments

DP_TIMING ->	Tap 0 (default)		Tap 1		Tap 2		Tap 3	
	Min (ns)	Max (ns)	Min (ns)	Max (ns)	Min (ns)	Max (ns)	Min (ns)	Max (ns)
Propagation delay from DCLK to DA*/DB*	1.0	4.5	0.5	3.5	-0.5	2.5	-1.5	1.5
Propagation delay from DCLK to DHS	1.0	4.5	0.5	3.5	-0.5	2.5	-1.5	1.5
Propagation delay from DCLK to DVS	0.5	4.5	0.0	3.5	-1.0	2.5	-2.0	1.5
Propagation delay from DCLK to DEN	1.0	4.5	0.5	3.5	-0.5	2.5	-1.5	1.5

Note: DCLK Clock Adjustments are the amount of additional delay that can be inserted in the DCLK path, in order to reduce the propagation delay between DCLK and its related signals.

Table 23. 2-Wire Host Interface Port Timing

Parameter	Symbol	MIN	TYP	MAX	Units
SCL HIGH time	T_{SHI}	1.25			us
SCL LOW time	T_{SLO}	1.25			us
SDA to SCL Setup	T_{SDIS}	30			ns
SDA from SCL Hold	T_{SDIH}	20			ns
Propagation delay from SCL to SDA	T_{SDO3}	10		150	ns

Note: The above table assumes $OCM_CLK = R_CLK / 2 = 100\text{ MHz}$ (default) (ie 10ns / clock)

5.3 External ROM Interface Timing Requirements

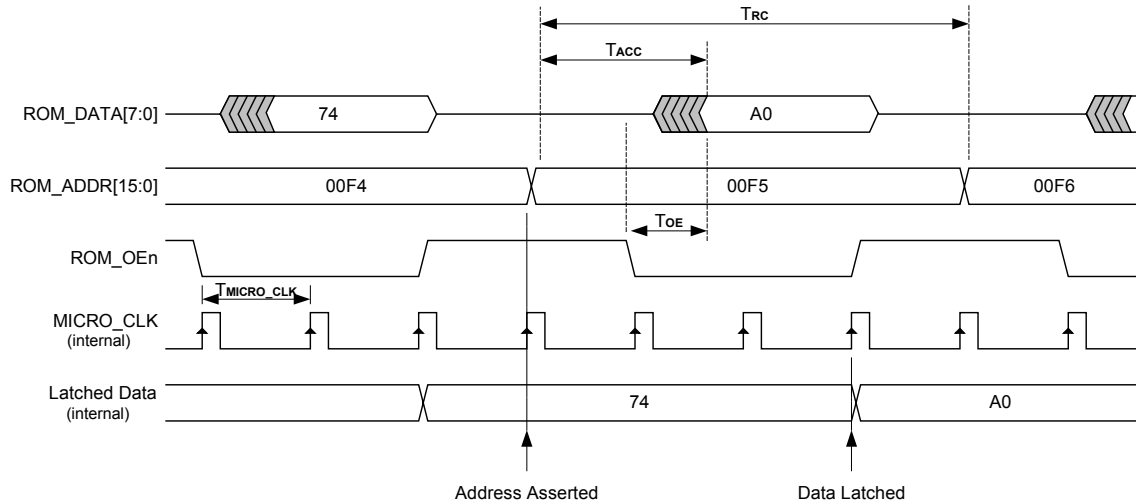


Figure 31. External ROM Interface Timing Diagram

$T_{MICRO_CLK} = 1 / f_{TCLK} = 1 / 24MHz = 41.6 \text{ ns}$ (if 24MHz TCLK crystal is used)

MICRO_CLK is the internal MCU clock derived from TCLK and has the same frequency as TCLK. At the maximum supported TCLK frequency (24MHz) the MICRO_CLK period is about 41ns.

The ROM data is latched on the third MICRO_CLK rising edge after the ADDRESS bus is asserted. Due to this requirement, the external ROM should have a maximum access time of equal to or less than three TCLK periods (for example, less than 123 ns when 24MHz TCLK crystal is used).

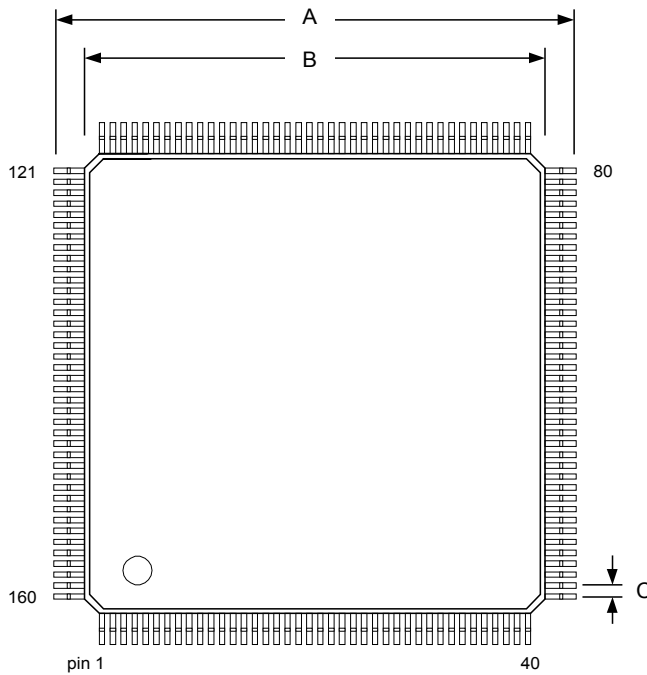
There are three criteria to be met for the external ROM interface timing (again, using 24MHz TCLK as a worst-case example):

1. $T_{RC} = 4 \times T_{MICRO_CLK} = 166.4 \text{ ns}$
2. $T_{ACCmax} \leq 3 \times T_{MICRO_CLK} = 124.8 \text{ ns}$
3. $T_{OE} \leq 2 \times T_{MICRO_CLK} = 83.2 \text{ ns}$

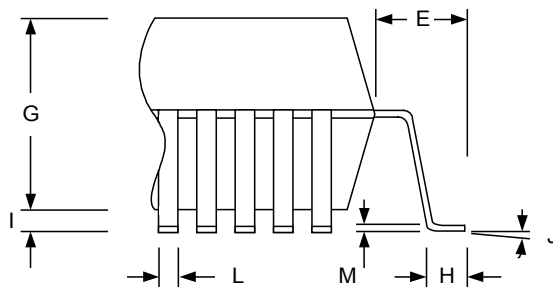
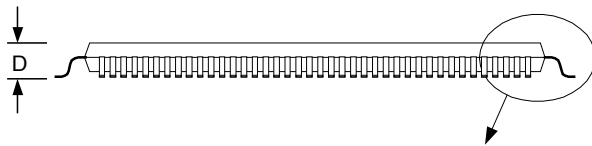
6 Ordering Information

Order Code	Application	Package	Temperature Range
gm2121	SXGA	160-pin PQFP	0-70°C

7 Mechanical Specifications



Depressed dot on package indicates pin 1 (lower left corner)



Symbol	Millimeter			Inch		
	Min	Nom	Max	Min	Nom	Max
A	30.95	31.20	31.45	1.218	1.228	1.238
B	27.90	28.00	28.10	1.098	1.102	1.106
C		0.65			0.026	
D			4.25			0.167
E		1.60			0.063	
G	3.17	3.32	3.47	0.125	0.131	0.137
H	0.73	0.88	1.03	0.025	0.031	0.037
I	0.05	0.25	0.50	0.002	0.010	0.020
J	0		7	0		7
L	0.22	0.30	0.38	0.008	0.012	0.016
M	0.11	0.15	0.23	0.004	0.006	0.008

Figure 32. gm2121 160-pin PQFP Mechanical Drawing