



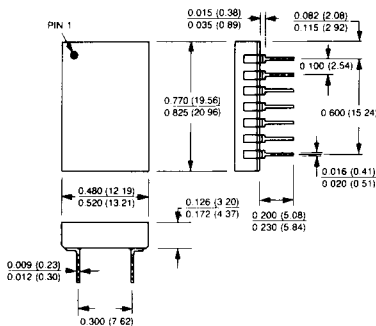
MN374

HIGH-SPEED
HIGH-RESOLUTION
TRACK-HOLD AMPLIFIER

FEATURES

- 4 μ sec Max Acquisition Time (20V Step to $\pm 0.003\%$)
- Compatible with All DIP Packaged 14-16 Bit A/D's
- 400psec Aperture Jitter
- $\pm 1\mu$ V/ μ sec Max Droop Rate
- 90dB Min Feedthrough Attenuation
- Small 14-Pin DIP
- Pin and Function Compatible with SHC76
- Full Mil Operation -55°C to +125°C
- MIL-H-38534 Screening Optional. MIL-STD-1772 Qualified Facility

14 PIN DIP



DESCRIPTION

MN374 is a high-speed (4 μ sec max acquisition time for a 20V step acquired to $\pm 0.003\%$), high-resolution ($\pm 0.003\%$ FSR max linearity error), unity-gain, inverting track-hold (T/H) amplifier designed to be compatible with virtually all DIP-packaged, 14-16 bit A/D converters available today. In particular, MN374 mates well with Micro Networks MN5290/5291 (40 μ sec, 16-bit A/D's) and MN5295/5296 (17 μ sec, 16-bit A/D's) as well as with other industry-standard 16-bit A/D's (ADC71/72, ADC76, AD376, etc.).

The TTL-compatible MN374 makes the speed/precision trade-off very well. Its impressive d.c. specifications include a maximum $\pm 0.02\%$ gain error, a maximum ± 3 mV offset error and a maximum ± 4 mV pedestal. Dynamic specifications include 4 μ sec max acquisition time (20V step acquired to $\pm 0.003\%$); 3 μ sec max track-to-hold transient settling time (to $\pm 0.003\%$ FSR); 400psec aperture jitter; and ± 30 V/ μ sec slew rate. MN374's outstanding $\pm 1\mu$ V/ μ sec maximum output droop rate enables the device to hold signals to the 14-bit level for up to 600 μ sec and to the 16-bit level for up to 150 μ sec. These performance levels make MN374 ideal for high-resolution data acquisition in either single-channel, multichannel sequenced, or multichannel simultaneous-sampling applications.

An application note in this data sheet describes how to mate MN374 with MN5295 (16-bit, 17 μ sec A/D) to create a 40kHz sampling A/D that guarantees 14-bit "no missing codes" over its full temperature range.

MN374 is packaged in a small, 14-pin, single-wide, ceramic DIP, and it carries the pinout that has become the de facto standard for high-resolution T/H's. MN374 is fully specified for either 0°C to +70°C or -55°C to +125°C ("H" model) operation. For military/aerospace or harsh-environment commercial/industrial applications, MN374H/B CH is fully screened to MIL-H-38534 in Micro Networks' MIL-STD-1772 qualified facility.

Contact factory for availability of CH devices.

MN374



MICRO NETWORKS

324 Clark St., Worcester, MA 01606 (508) 852-5400

January 1992
Copyright 1992
Micro Networks
All rights reserved

MN374 HIGH-SPEED HIGH-RESOLUTION T/H AMPLIFIER

ABSOLUTE MAXIMUM RATINGS

Operating Temperature Range	-55°C to +125°C
Specified Temperature Range:	
MN374	0°C to +70°C
MN374H, MN374H/B	-55°C to +125°C
Storage Temperature Range	-65°C to +150°C
+15V Supply (+Vcc, Pin 11)	-0.5 to +18 Volts
-15V Supply (-Vcc, Pin 14)	+0.5 to -18 Volts
Analog Input (Pin 13)	± 15 Volts
Digital Input (Pin 1)	-0.5 to +7 Volts
Output Current (Note 1)	± 20 mA

ORDERING INFORMATION

PART NUMBER _____ 374H/B CH

Standard part is specified for 0°C to +70°C operation.
 Add "H" for specified -55°C to +125°C operation.
 Add "B" to "H" models for Environmental Stress Screening.
 Add "CH" to "B" models for 100% screening according to MIL-H-38534.
 Contact factory for availability of "CH" devices.

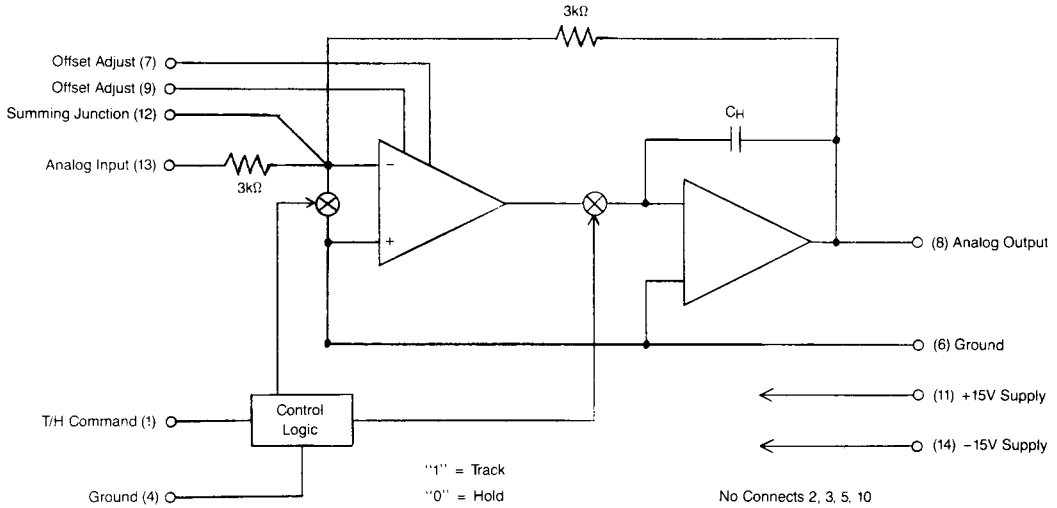
SPECIFICATIONS (T_A = +25°C, ±Vcc = ±15V unless otherwise indicated)

ANALOG INPUTS	MIN.	TYP.	MAX.	UNITS
Input/Output Voltage Range	± 10	± 11		Volts
Input Impedance (Note 2)		3		kΩ
Output Current (Note 1)	± 5			mA
Output Impedance (Note 2)		1		Ω
Maximum Capacitive Load (Note 2)		250		pF
DIGITAL INPUT				
Logic Levels: Logic "1" (Track Mode)	+2.0			Volts
Logic "0" (Hold Mode)			+0.8	Volts
Logic Currents: Logic "1" (V _{IH} = +2.7V)			+20	μA
Logic "0" (V _{IL} = +0.4V)			-0.4	mA
TRANSFER CHARACTERISTICS (Note 3)				
Gain		-1		V/V
Gain Linearity Error		± 0.001	± 0.003	%FSR
Gain Accuracy: Initial (+25°C)		± 0.01	± 0.02	%
Drift (Note 6)		± 1	± 5	ppm/°C
Error @ T _{min} or T _{max} (MN374H, H/B)		± 0.02	± 0.07	%
Offset Voltage (Track Mode, Note 4): Initial (+25°C)		± 0.5	± 3	mV
Drift (Note 6)		± 5	± 20	μV/°C
Error @ T _{min} or T _{max} (MN374H, H/B)		± 1	± 5	mV
Pedestal (Note 5): Initial (+25°C)		± 2	± 4	mV
Drift (Note 6)		± 10	± 40	μV/°C
Error @ T _{min} or T _{max} (MN374H, H/B)		± 3	± 8	mV
DYNAMIC CHARACTERISTICS				
Acquisition Time:				
20V Step to ± 0.003% (± 0.6mV)		2.5	4	μsec
20V Step to ± 0.01% (± 2mV, Note 2)		1.5	3	μsec
10V Step to ± 0.003% (± 0.3mV, Note 2)		3		μsec
10V Step to ± 0.01% (± 1mV, Note 2)		1.2		μsec
Track-to-Hold Transient (Note 2):				
Amplitude		200		mV
Settling Time to ± 0.003% FSR (± 0.6mV)		0.5	3	μsec
Settling Time to ± 0.01% FSR (± 2mV)		0.3	2	μsec
Aperture Delay Time (Note 2)		30		nsec
Aperture Jitter (Note 2)		400		psec
Output Slew Rate (Note 2)		± 30		V/μsec
Small Signal Bandwidth (-3dB, Note 2)		1.5		MHz
Full Power Bandwidth (Note 2)		500		kHz
Output Droop Rate: +25°C		± 0.1	± 1	μV/μsec
0°C to +70°C		± 10	± 100	μV/μsec
-55°C to +125°C ("H" Models)		± 50	± 500	μV/μsec
Feedthrough Attenuation (20kHz, 20Vp-p input)	90	100		dB
Output Noise (d.c. to 1MHz, Note 2) Track Mode		200		μV(rms)
Hold Mode		200		μV(rms)
POWER SUPPLIES				
Voltage Range (Note 7)	± 14.5	± 15	± 15.5	Volts
Power Supply Rejection: +15V Supply		± 75		μV/V
-15V Supply		± 75		μV/V
Quiescent Current Drain: +15V Supply		+15	+24	mA
-15V Supply		-11	-13	mA
Power Consumption		390	495	mW

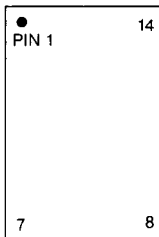
SPECIFICATION NOTES:

- MN374's output is not short-circuit protected. Continuous shorts to ground or instantaneous shorts to either supply will result in destruction. In normal operation, continuous output current should not exceed $\pm 10\text{mA}$.
- These parameters are listed for reference only and are not tested.
- FSR stands for full scale range and is equal to 20 Volts for the MN374. $\pm 0.003\%$ FSR is equivalent to $\pm 1/2$ LSB for a 14-bit system.
- Initial track-mode offset error is adjustable to zero with a user-optional external potentiometer. The offset adjust may also be used to compensate for pedestal. See Offset Adjustment.
- Pedestal refers to the unwanted step in output voltage that occurs as a T/H is switched from the track to the hold mode. For many T/H's, pedestal amplitude is a function of input/output voltage level. For the MN374, pedestal is constant regardless of input/output level.
- MN374 is fully specified for 0°C to $+70^\circ\text{C}$ operation. MN374H and MN374H/B are fully specified for -55°C to $+125^\circ\text{C}$ operation.
- MN374 will operate with $\pm V_{cc}$ supplies down to ± 11.4 Volts if input/output voltage is kept below $\pm 7.5\text{V}$.

BLOCK DIAGRAM



PIN DESIGNATIONS



- | | |
|-----------------|-----------------------|
| 1 T/H Command | 14 -15V Supply (-Vcc) |
| 2 No Connect | 13 Analog Input |
| 3 No Connect | 12 Summing Junction |
| 4 Ground | 11 +15V Supply (+Vcc) |
| 5 No Connect | 10 No Connect |
| 6 Ground | 9 Offset Adjust |
| 7 Offset Adjust | 8 Analog Output |

MN374

APPLICATIONS INFORMATION

LAYOUT CONSIDERATIONS—Proper attention to layout and decoupling is necessary to obtain specified accuracy and speed performance from the MN374. The unit's two Ground pins (pins 4 and 6) are not connected to each other internally. They should be tied together as close to the unit as possible and both connected to system analog ground, preferably through a large analog ground plane underneath the package. If p.c. card ground lines must be run separately, wide conductor runs should be used with 0.01 μ F ceramic capacitors interconnecting them as close to the package as possible. If your system distinguishes between analog and digital ground, pin 6 may be connected to system analog ground and pin 4 to system digital ground.

Coupling between analog inputs and digital signals should be minimized to avoid noise pick-up. Care should be taken to avoid long runs or analog runs close to digital lines. Input and output signal lines should be kept as short as possible, and if external offset adjustment is used, the potentiometer should be located as close to the unit as possible. If offset adjust is not used, pins 7 and 9 should be left open.

Power supply connections should be short and direct, and all power supplies should be decoupled with high-frequency bypass capacitors to ground. 1 μ F tantalum capacitors in parallel with 0.01 μ F ceramic capacitors are the most effective combination. Single 1 μ F ceramic capacitors can be used if necessary to save board space.

OFFSET ADJUSTMENT—MN374's track-mode offset error can be reduced to zero using a 10k Ω to 20k Ω potentiometer connected between pins 7 and 9 with its wiper connected to $-15V$. With the analog signal path grounded, the pot should be adjusted until the output equals zero volts. The pot can also be used to compensate for the effects of pedestal by performing the adjustment in the hold mode. This adjustment is normally made while continually switching from track to hold and observing the T/H output on a scope. This procedure will eliminate adjustment ambiguities resulting from output droop.

TRACK-HOLD COMMAND—A TTL logic "1" applied to pin 1 will put the MN374 into the track (sample) mode. In this mode, the device acts as an inverting unity-gain amplifier, and its output will follow (track) its input. A logic "0" applied to pin 1 will put the MN374 into the hold mode, and after the switching transient settles, the output will be held constant at the level present when the hold command was given.

USING MN374 WITH SUCCESSIVE APPROXIMATION A/D CONVERTERS—Successive approximation (SA) type A/D converters are oftentimes severely analog input slew-rate and bandwidth limited and can easily produce errors when used to digitize dynamically changing signals. These input-signal bandwidth limitations arise from the fact that successive approximation type A/D's sequentially determine output-bit values (from MSB to LSB) by comparing the analog equivalent of output bits already determined to the instantaneous analog input signal. The conversion process demands that the analog input signal remain "constant", and the analog input slew-rate and bandwidth limitations derive from the requirement that input signals not change more than $\pm 1/2$ LSB (for the appropriate resolution) during the conversion period.

These A/D converter input-bandwidth limitations can be overcome by using track-hold (T/H) amplifiers to track and subsequently "freeze" (hold) analog input signals that are changing too rapidly for the A/D alone to accurately digitize. If other parameters are appropriate, the slew-rate and bandwidth limiting factor of the T/H-A/D combination will become the T/H's aperture jitter (aperture uncertainty), and the T/H-A/D combination will now be able to accurately sample and digitize signals slewing as much as $\pm 1/2$ LSB during the T/H's aperture jitter time. The formulas for determining how fast a signal a given T/H can accurately capture when used in

$$\text{Input Slew Rate Limit} = \frac{\pm 1/2 \text{ LSB}}{\text{Conversion Time}}$$

$$\text{Input Bandwidth}^* = \frac{\pm 1/2 \text{ LSB}}{(\text{Conv. Time}) (2\pi) (\text{FSR}/2)}$$

$$\text{Input Bandwidth}^* = \frac{(\text{FSR}/2^{n+1})}{(\text{Conv. Time}) (2\pi) (\text{FSR}/2)}$$

*For full scale sine waves

FSR = A/D converter full scale range

n = resolution in bits

conjunction with a given A/D converter are the same as those stated above with $\pm 1/2$ LSB defined for the A/D converter and with the variable (conversion time) replaced by aperture jitter. Needless to say, aperture jitter is a significantly smaller number than conversion time, and the bandwidth improvement when using the T/H vs. not using the T/H will equal the ratio of A/D conversion time to T/H aperture jitter.

As an example, consider Micro Networks MN5295 16-bit A/D converter. This device guarantees "no missing codes" to the 14-bit level, and it performs a full 16-bit conversion in 17 μ sec (maximum). For this device operating on its full $\pm 10V$ input voltage range, $\pm 1/2$ LSB/conversion time = $\pm 0.61mV/17\mu\text{sec}$ = $\pm 0.036mV/\mu\text{sec}$ (calculated for a 14-bit LSB). This is equivalent to the highest slew rate encountered in a full-scale ($\pm 10V$) sine wave with a frequency of 0.57Hz. When used in conjunction with MN5295, MN374 with its 400psec aperture jitter, is capable of capturing signals (to 14-bit accuracy) with slew rates up to $\pm 1/2$ LSB/aperture jitter = $\pm 0.61mV/400\text{psec}$ = $\pm 1.525V/\mu\text{sec}$. This is the highest slew rate one would encounter in a full-scale sine wave with a frequency of 24.3kHz. As expected, the improvement ratio of 24.3kHz to 0.57Hz is equal to the ratio of 17 μ sec to 400psec.

Using T/H's in conjunction with A/D's to increase analog bandwidth will reduce throughput (conversion rate) in that new digital output data cannot be realized until after the T/H has acquired a new signal (acquisition time) and the A/D has converted it (conversion time). Another consideration when calculating T/H-A/D throughput is the T/H's Track-to-Hold Transient Settling Time. If the same timing pulse is used to put the T/H into the hold mode and initiate the A/D conversion, the transient settling time has to be short enough to ensure that the A/D has a stable and accurate input when it makes the final decision on whether its MSB output should be "1" or "0". This decision normally takes place one clock period after a conversion has begun.

Other considerations when using T/H's with successive approximation A/D's involve the T/H's output stage. In the hold mode, it should exhibit a very low output impedance compared to the A/D's input impedance (usually 1 to 10k Ω) at frequencies up to five times the A/D's clock frequency. Also, the T/H should be able to fully recover (to $\pm 1/2$ LSB) from current transients in a time interval smaller than the A/D's clock period. These requirements are based on the fact that as a successive approximation A/D's internal D/A converter changes its output current just prior to the determination of each output bit, the T/H will be required to sink or source high frequency current transients and recover within one clock period. The MN374 output is not current limited, and in the hold mode, output impedance is typically below 1 Ω . It recovers from output current transients (to $\pm 0.003\%$ FSR) in well under 1 μ sec.

For slower speed A/D converters, the most popular technique used to control the T/H's operation is to drive the T/H directly with the A/D's status line. For virtually all high-resolution A/D's in use today, including MN5295/5296, this technique does *not* work because the T/H's track-to-hold transients will

