



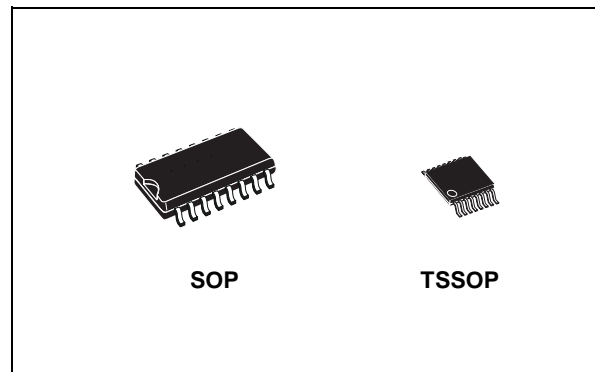
## POWER LOGIC 8-BIT SHIFT REGISTER

- LOW  $R_{DS(on)}$ : 4Ω TYP
- 30mJ AVAILANCHE ENERGY
- EIGHT 100mA DMOS OUTPUTS
- 250mA CURRENT LIMIT CAPABILITY
- 33V OUTPUT CLAMP VOLTAGE
- DEVICE ARE CASCADABLE
- LOW POWER CONSUMPTION

### DESCRIPTION

This STPIC6C595 is a monolithic, medium-voltage, low current power 8-bit shift register designed for use in systems that require relatively moderate load power such as LEDs. The device contains a built-in voltage clamp on the outputs for inductive transient protection. Power driver applications include relays, solenoids, and other low-current or medium-voltage loads.

The device contains an 8-bit serial-in, parallel-out shift register that feeds an 8-bit D-type storage register. Data transfers through both the shift and storage register clock (SRCK) and the register clock (RCK), respectively. The device transfers data out the serial output (SER OUT) port on the rising edge of SRCK. The storage register transfers data to the output buffer when shift register clear (CLR) is high. When  $\overline{CLR}$  is low, the input shift register is cleared. When output enable ( $\overline{G}$ ) is held high, all data in the output buffer is held low and all drain output are off. When  $\overline{G}$  is held low, data from the storage register is transparent to the output buffer. When data in the output



buffers is low, the DMOS transistor outputs are off. When data is high, the DMOS transistor outputs have sink-current capability. The SER OUT allows for cascading of the data from the shift register to additional devices.

Output are low-side, open-drain DMOS transistors with output ratings of 33V and 100mA continuous sink-current capability. Each output provides a 250 mA maximum current limit at  $T_C = 25^\circ\text{C}$ . The current limit decreases as the junction temperature increases for additional device protection. The device also provides up to 1.5KV of ESD protection when tested using the human-body model and 200V machine model.

The STPIC6C595 is characterized for operation over the operating case temperature range of  $-40^\circ\text{C}$  to  $125^\circ\text{C}$ .

### ORDERING CODES

Type	Package	Comments
STPIC6C595M	SO-16 (Tube)	50parts per tube / 20tube per box
STPIC6C595MTR	SO-16 (Tape & Reel)	2500 parts per reel
STPIC6C595TTR	TSSOP16 (Tape & Reel)	2500 parts per reel

Figure 1 : Logic Symbol And Pin Configuration

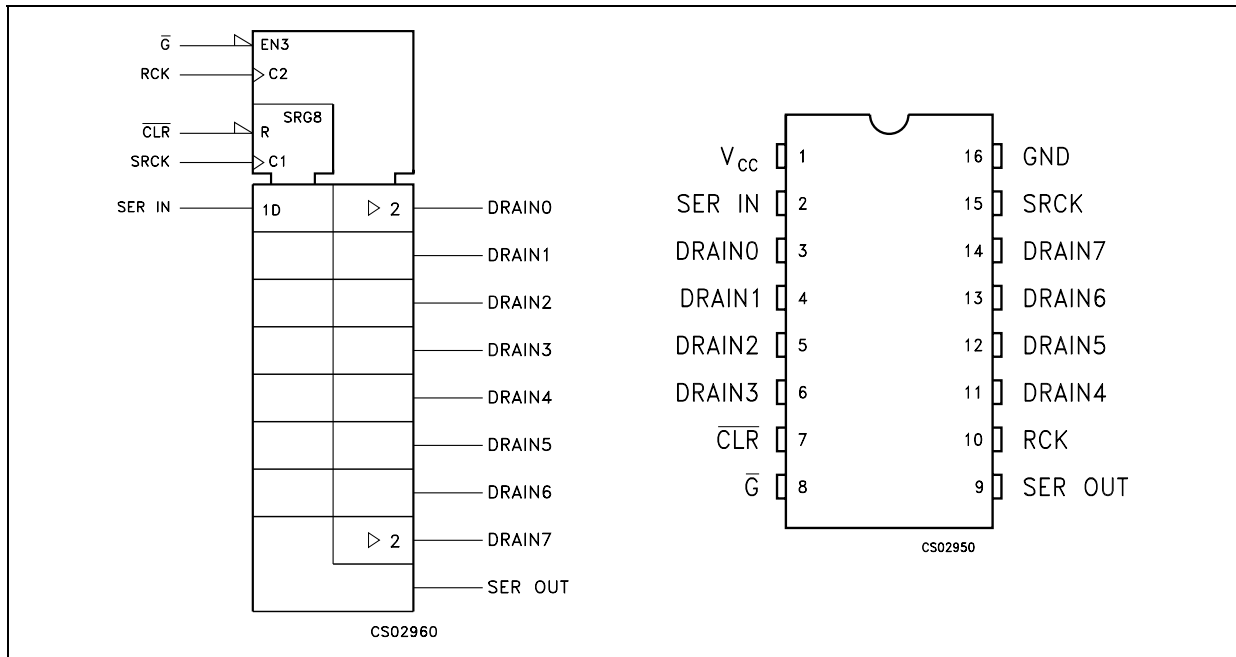
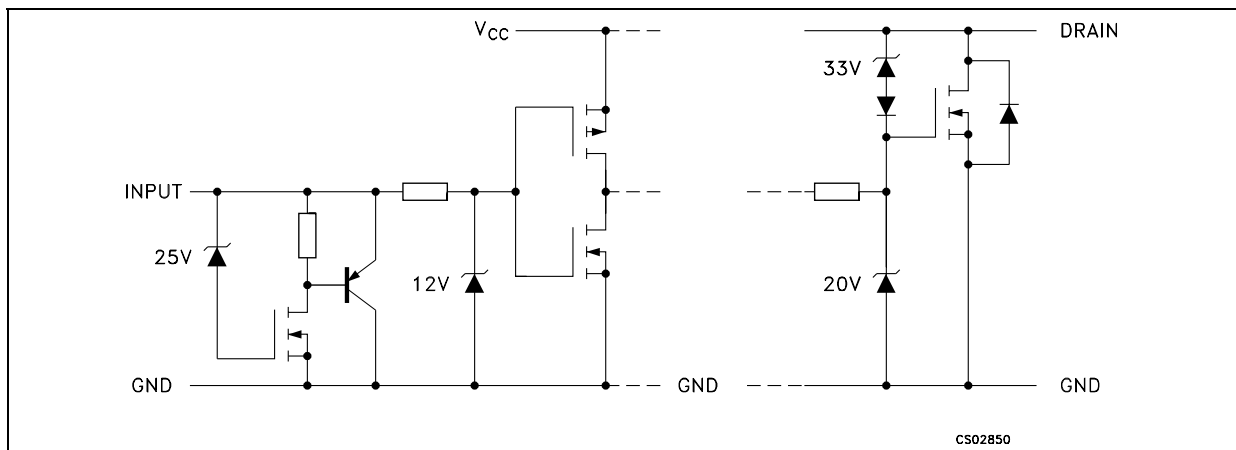


Figure 2 : Input And Output Equivalent Circuits



**ABSOLUTE MAXIMUM RATINGS**

Symbol	Parameter	Value	Unit
$V_{CC}$	Logic Supply Voltage (See Note 1)	7	V
$V_I$	Logic Input Voltage Range	-0.3 to 7	V
$V_{DS}$	Power DMOS Drain to Source Voltage (See Note 2)	33	V
$I_{DS}$	Continuous Source to Drain Diode Anode Current	250	mA
$I_{DS}$	Pulsed Source to Drain Diode Anode Current (See Note 3)	500	mA
$I_D$	Pulsed Drain Current, Each Output, All Output ON ( $T_C=25^\circ\text{C}$ )	250	mA
$I_D$	Continuous Current, Each Output, All Output ON ( $T_C=25^\circ\text{C}$ )	100	mA
$I_D$	Peak Drain Current Single Output ( $T_C=25^\circ\text{C}$ ) (See Note 3)	250	mA
$E_{AS}$	Single Pulse Avalanche Energy (See Figure 11 and 12)	30	mJ
$I_{AS}$	Avalanche Current (See Note 4 and figure 17)	200	mA
$P_d$	Continuous total dissipation ( $T_C \leq 25^\circ\text{C}$ )	1087	mW
$P_d$	Continuous total dissipation ( $T_C = 125^\circ\text{C}$ )	217	mW
$T_J$	Operating Virtual Junction Temperature Range	-40 to +150	$^\circ\text{C}$
$T_C$	Operating Case Temperature Range	-40 to +125	$^\circ\text{C}$
$T_{stg}$	Storage Temperature Range	-65 to +150	$^\circ\text{C}$
$T_L$	Lead Temperature 1.6mm (1/16inch) from case for 10 seconds	260	$^\circ\text{C}$

Absolute Maximum Ratings are those values beyond which damage to the device may occur. Functional operation under these condition is not implied.

**THERMAL DATA**

Symbol	Parameter	Value	Unit
$R_{thj-amb}$	Thermal Resistance Junction-ambient	115	$^\circ\text{C}/\text{W}$

**RECOMMENDED OPERATING CONDITIONS**

Symbol	Parameter	Min.	Max.	Unit
$V_{CC}$	Logic Supply Voltage	4.5	5.5	V
$V_{IH}$	High Level Input Voltage	$0.85V_{CC}$	$V_{CC}$	V
$V_{IL}$	Low Level Input Voltage	0	$0.15V_{CC}$	V
$I_{DP}$	Pulse Drain Output Current ( $T_C=25^\circ\text{C}$ , $V_{CC}=5\text{V}$ , all outputs ON) (see note 3, 5 and figure 15)		250	mA
$t_{su}$	Set-up Time, SER IN High Before SRCK $\uparrow$ (see Figure 6 and 8)	20		ns
$t_h$	Hold Time, SER IN High Before G $\uparrow$ (see Figure 6, 7, 8)	20		ns
$t_W$	Pulse Duration (see Figure 8)	40		ns
$T_C$	Operating Case Temperature	-40	125	$^\circ\text{C}$

## STPIC6C595

### DC CHARACTERISTICS ( $V_{CC}=5V$ , $T_C=25^\circ C$ , unless otherwise specified.)

Symbol	Parameter	Test Conditions	Min.	Typ.	Max.	Unit
$V_{(BR)DSX}$	Drain-to-Source breakdown Voltage	$I_D = 1mA$	33	37		V
$V_{SD}$	Source-to-Drain Diode Forward Voltage	$I_F = 100mA$		0.85	1.2	V
$V_{OH}$	High Level Output Voltage SER OUT	$I_{OH} = -20\mu A$ $V_{CC} = 4.5V$	4.4	4.49		V
		$I_{OH} = -4mA$ $V_{CC} = 4.5V$	4	4.2		V
$V_{OL}$	Low Level Output Voltage SER OUT	$I_{OH} = 20\mu A$ $V_{CC} = 4.5V$		0.005	0.1	V
		$I_{OH} = 4mA$ $V_{CC} = 4.5V$		0.3	0.5	V
$I_{IH}$	High Level Input Current	$V_{CC} = 5.5V$ $V_I = V_{CC}$			1	$\mu A$
$I_{IL}$	Low Level Input Current	$V_{CC} = 5.5V$ $V_I = 0$			-1	$\mu A$
$I_{CC}$	Logic Supply Current	$V_{CC} = 5.5V$ All outputs OFF or ON		20	200	$\mu A$
$I_{CC}(FRQ)$	Logic Supply Current at Frequency	$f_{SRCK} = 5MHz$ $C_L = 30pF$ All outputs OFF (See Fig. 6, 18 and 19)		0.2	2	$mA$
$I_N$	Nominal Current	$V_{DS(on)} = 0.5V$ $I_N = I_D$ $T_C = 85^\circ C$ (See Note 5, 6, 7)		90		$mA$
$I_{DSX}$	Off-State Drain Current	$V_{DS} = 30V$ $V_{CC} = 5.5V$		0.3	5	$\mu A$
		$V_{DS} = 30V$ $V_{CC} = 5.5V$ or $0V$ $T_C = 125^\circ C$		0.6	8	$\mu A$
$R_{DS(on)}$	Static Drain Source ON State Resistance (See Note 5, 6 and fig. 14, 16)	$I_D = 50mA$ $V_{CC} = 4.5V$		4.5	6	$\Omega$
		$I_D = 50mA$ $V_{CC} = 4.5V$ $T_C = 125^\circ C$		6.5	9	$\Omega$
		$I_D = 100mA$ $V_{CC} = 4.5V$		4.5	6	$\Omega$

### SWITCHING CHARACTERISTICS ( $V_{CC}=5V$ , $T_C=25^\circ C$ , unless otherwise specified.)

Symbol	Parameter	Test Conditions	Min.	Typ.	Max.	Unit	
$t_{PHL}$	Propagation Delay Time, High to Low Level Output from $\bar{G}$	$C_L = 30pF$ $I_D = 75mA$ (See Fig. 4, 5, 6, 7, 20)		80		ns	
$t_{PLH}$	Propagation Delay Time, Low to High Level Output from $\bar{G}$			130		ns	
$t_r$	Rise Time, Drain Output			60		ns	
$t_f$	Fall Time, Drain Output			50		ns	
$t_{pd}$	propagation Delay Time			20		ns	
$t_a$	Reverse Recovery Current Rise Time		$I_F = 100mA$ $di/dt = 10A/\mu s$ (See Note 5, 6 and Fig. 9 and 10)		39		ns
$t_{rr}$	Reverse Recovery Time				115		ns

Note 1: All Voltage value are with respect to GND

Note 2: Each power DMOS source is internally connected to GND

Note 3: Pulse duration  $\leq 100\mu s$  and duty cycle  $\leq 2\%$

Note 4: Drain Supply Voltage = 15V, starting junction temperature ( $T_{JS}$ ) = 25°C. L = 1.5H and  $I_{AS} = 200mA$  (See Fig. 11 and 12)

Note 5: Technique should limit  $T_J - T_C$  to 10°C maximum

Note 6: These parameters are measured with voltage sensing contacts separate from the current-carrying contacts.

Note 7: Nominal Current is defined for a consistent comparison between devices from different sources. It is the current that produces a voltage drop of 0.5V at  $T_C = 85^\circ C$ .

Figure 3 : Logic Diagram

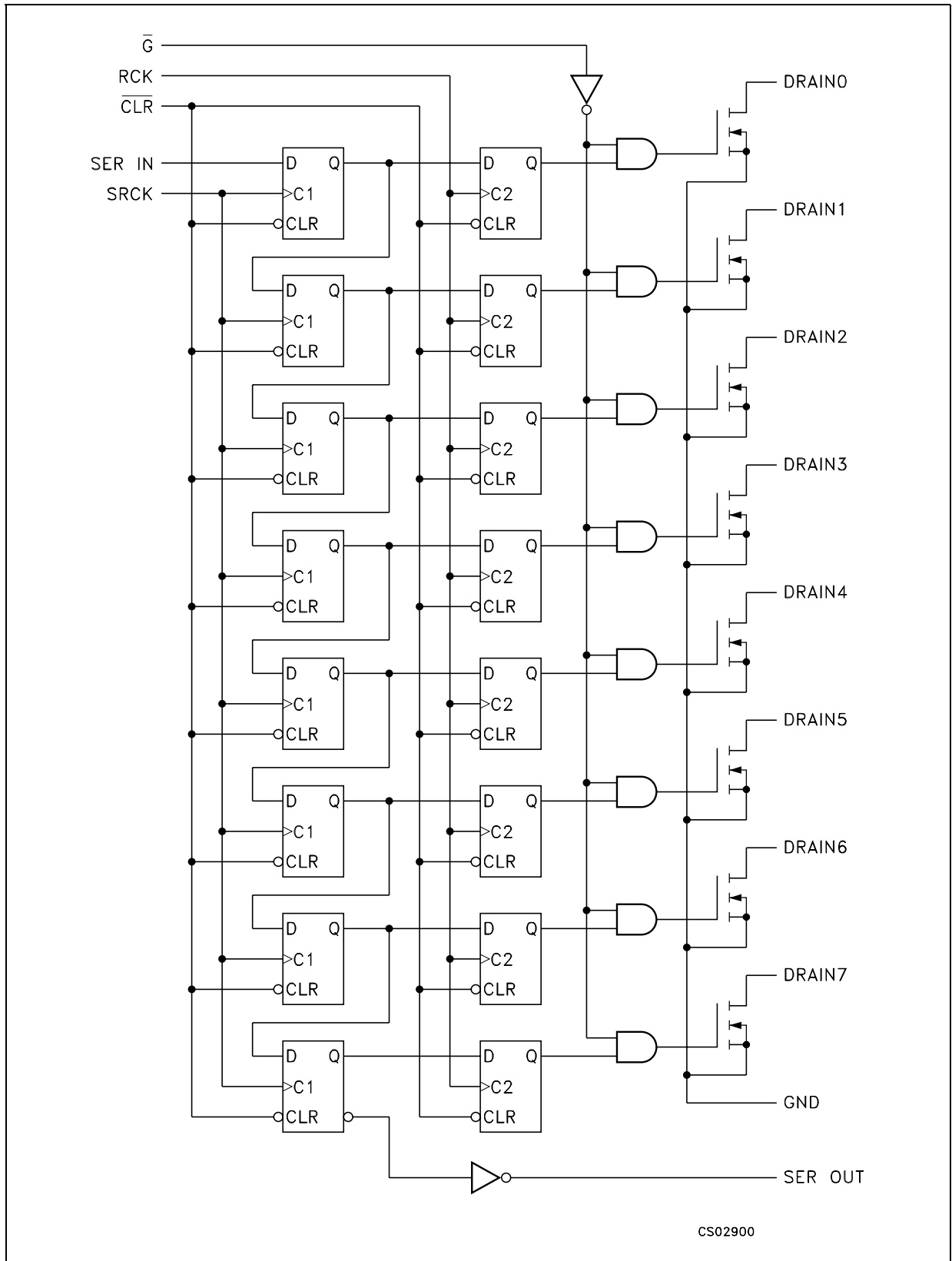


Figure 4 : Typical Operation Mode Test Circuits

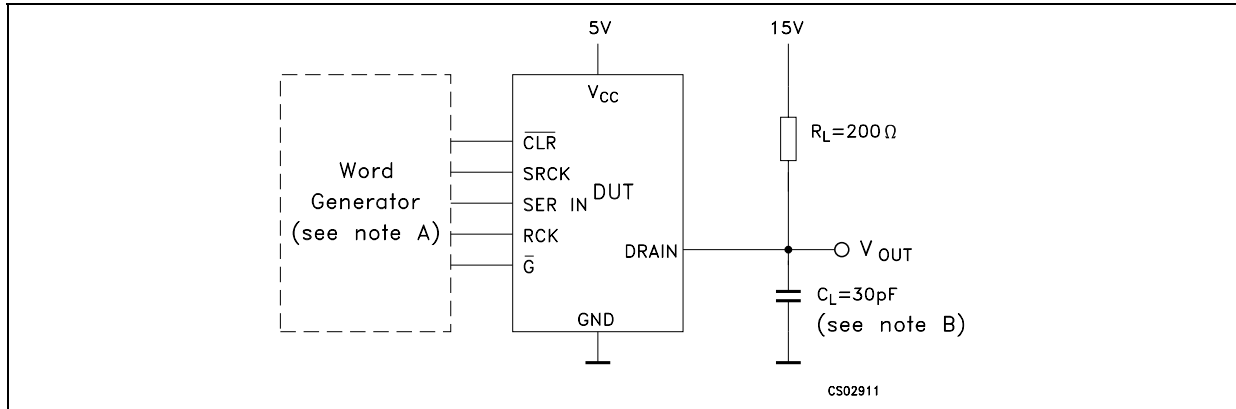
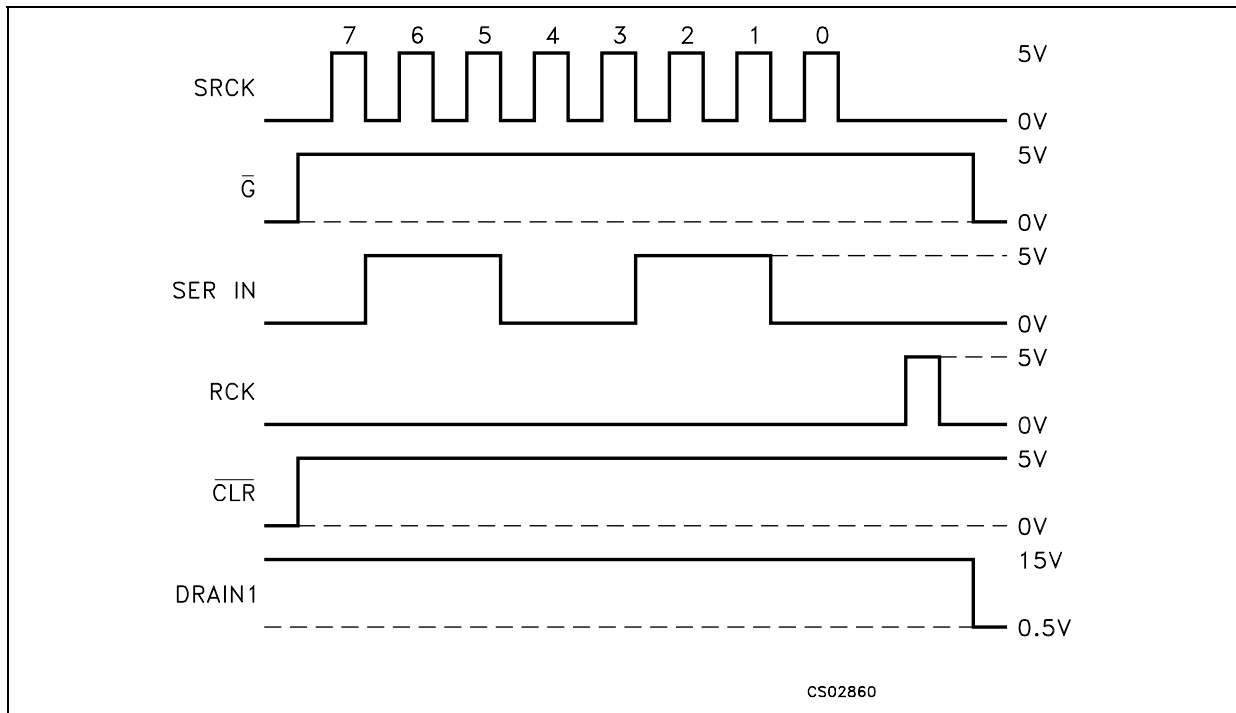


Figure 5 : Typical Operation Mode Waveforms



NOTE:

A) The word generator has the following characteristics:  $t_r \leq 10\text{ns}$ ,  $t_f \leq 10\text{ns}$ ,  $t_W = 300\text{ns}$ , pulse repetition rate (PRR) = 5KHz,  $Z_O = 50\Omega$

B)  $C_L$  includes probe and jig capacitance.

Figure 6 : Typical Operation Mode Test Circuits

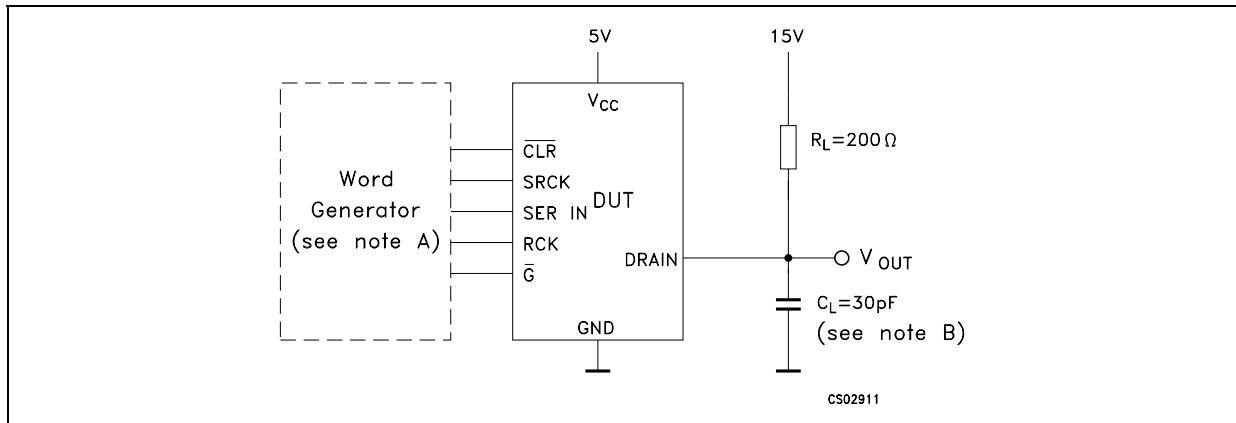


Figure 7 : Switching Time Waveform

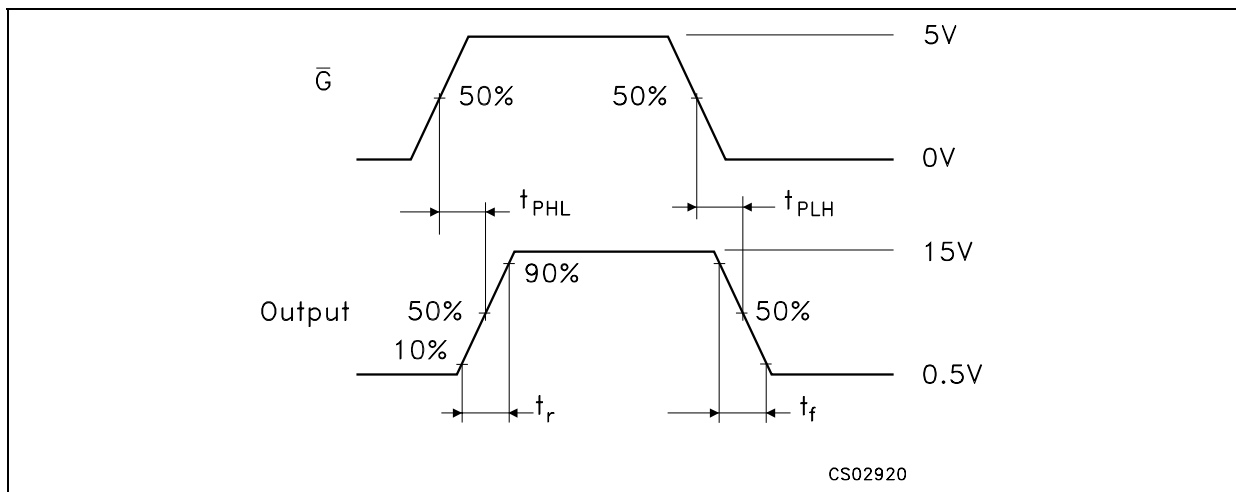
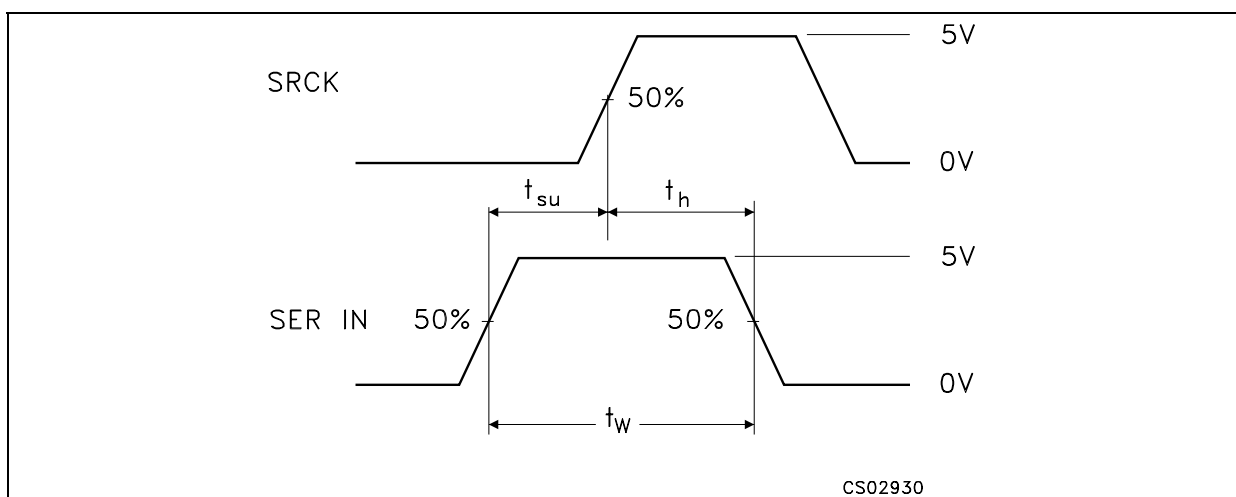


Figure 8 : Input Setup And Hold Waveform



NOTE:

A) The word generator has the following characteristics:  $t_r \leq 10\text{ns}$ ,  $t_f \leq 10\text{ns}$ ,  $t_w = 300\text{ns}$ , pulse repetition rate (PRR) = 5KHz,  $Z_O = 50\ \Omega$   
 B)  $C_L$  includes probe and jig capacitance.

Figure 9 : Reverse Recovery Current Test Circuits

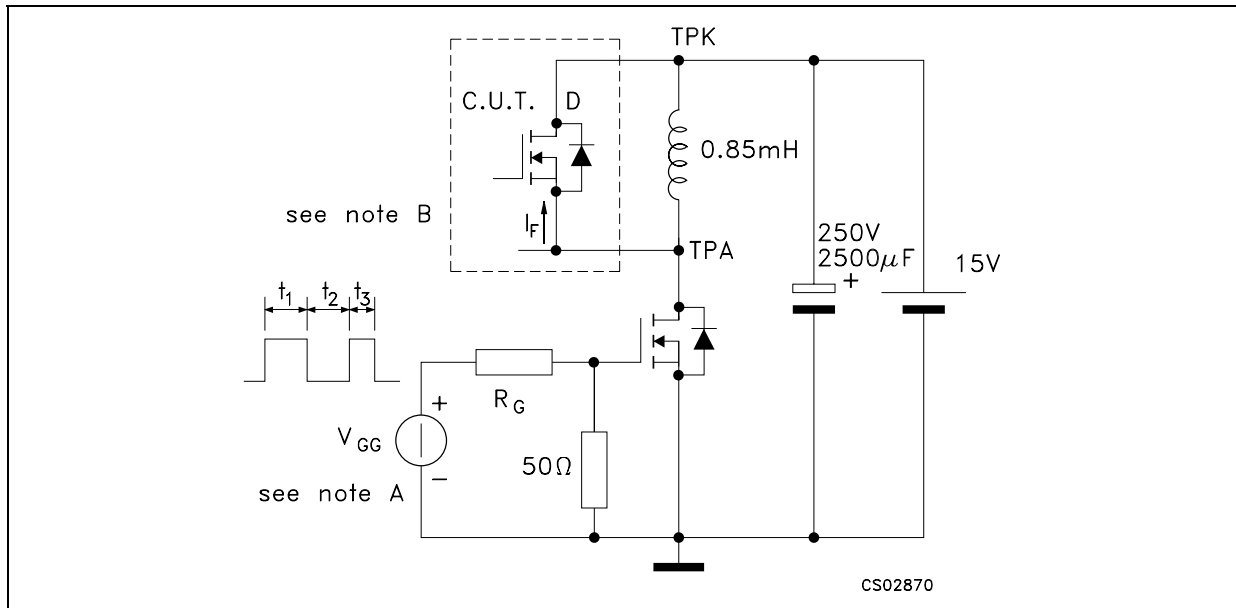
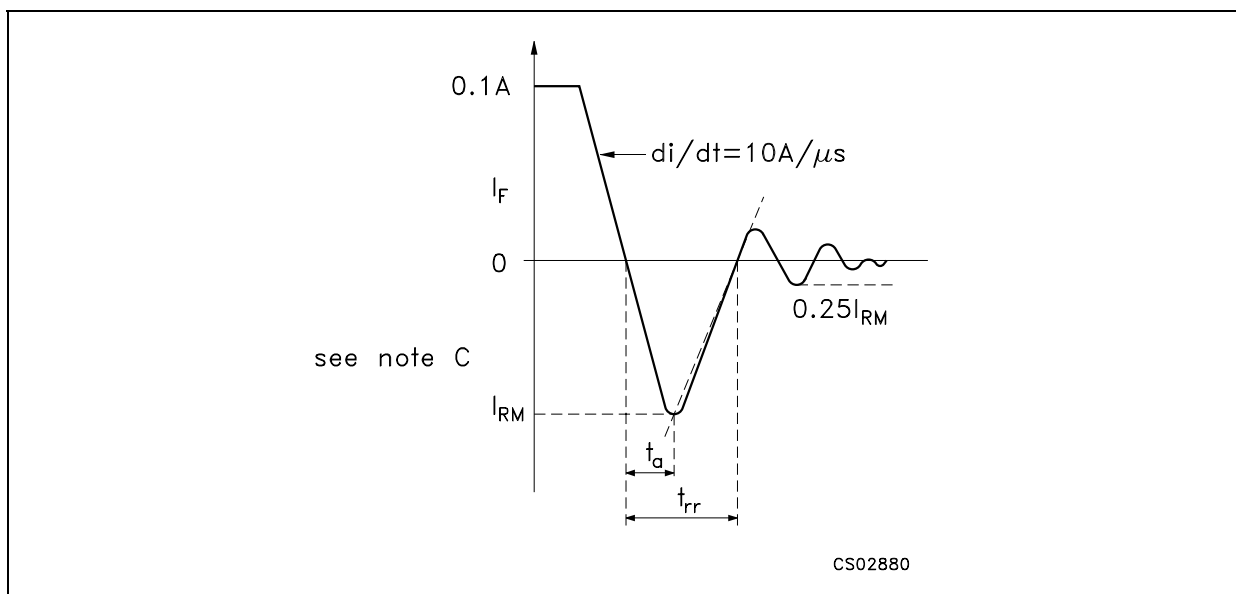


Figure 10 : Source Drain Diode Waveform



NOTE:

- A) The  $V_{GG}$  amplitude and  $R_G$  are adjusted for  $di/dt = 10A/\mu s$ . A  $V_{GG}$  double-pulse train is used to set  $I_F = 0.1A$ , where  $t_1 = 10\mu s$ ,  $t_2 = 7\mu s$  and  $t_3 = 3\mu s$
- B) The Drain terminal under test is connected to the TPK test point. All other terminals are connected together and connected to the TPA test point.
- C)  $I_{RM}$  = maximum recovery current.



Figure 11 : Single Pulse Avalanche Energy Test Circuits

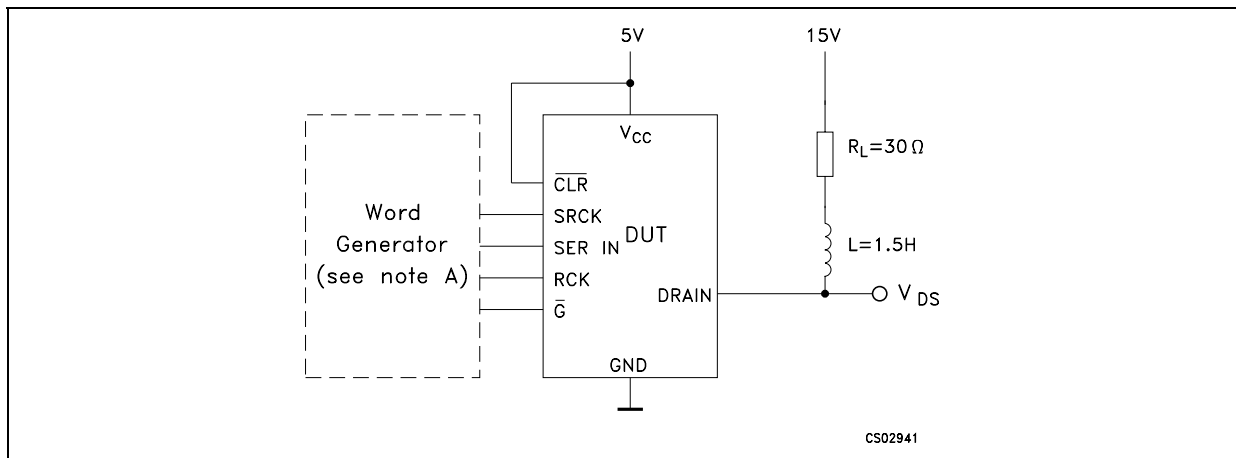
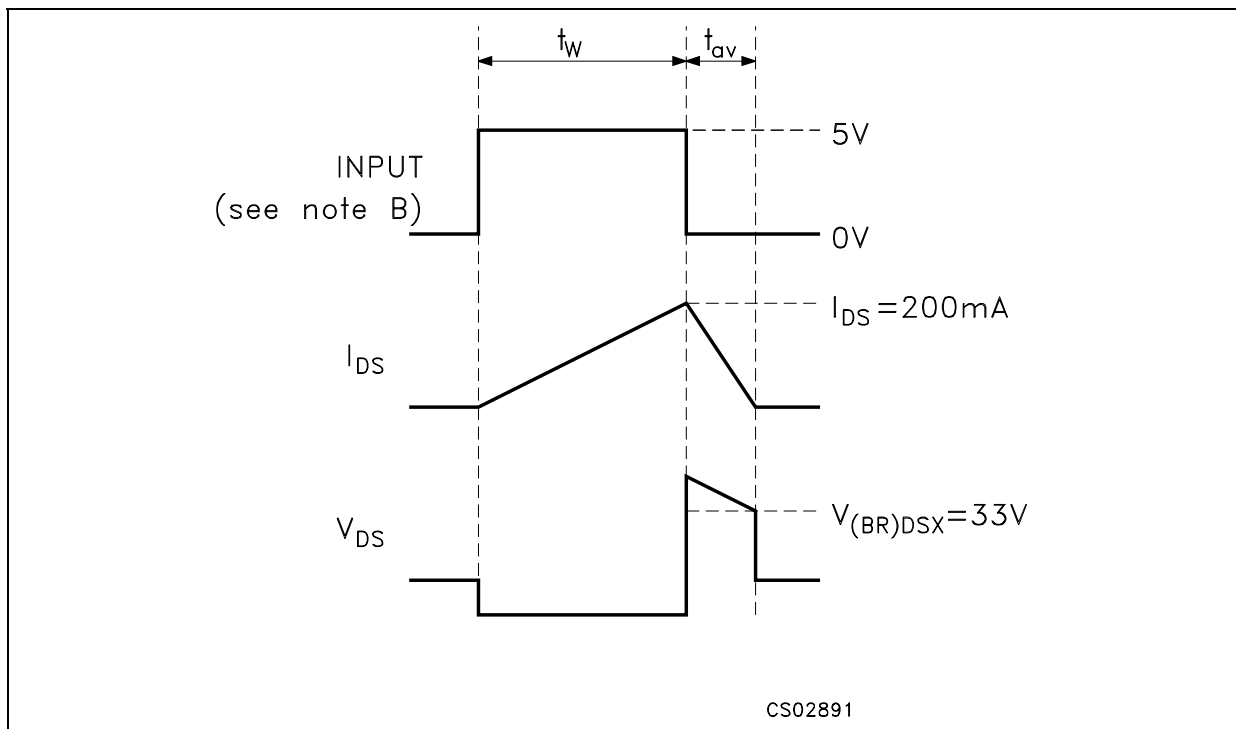


Figure 12 : Single Pulse Avalanche Energy Waveform



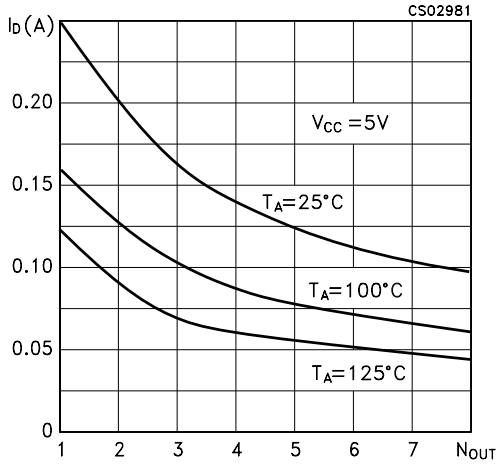
NOTE:

A) The word generator has the following characteristics:  $t_r \leq 10\text{ns}$ ,  $t_f \leq 10\text{ns}$ ,  $Z_O = 50\Omega$

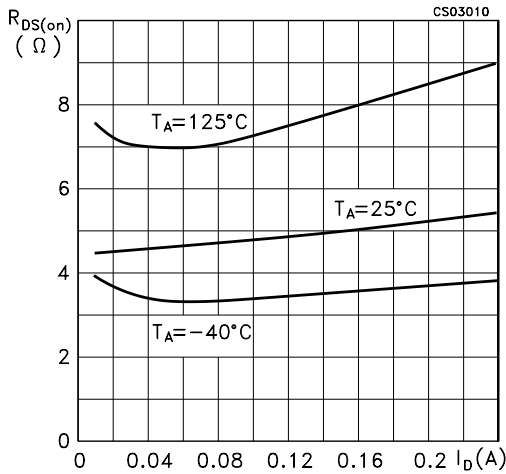
B) Input pulse duration,  $t_w$  is increased until peak current  $I_{AS} = 200\text{mA}$ . Energy test level is defined as  $E_{AS} = (I_{AS} \times V_{(BR)DSX} \times t_{AV})/2 = 30\text{mJ}$ .

**TYPICAL PERFORMANCE CHARACTERISTICS** (unless otherwise specified  $T_j = 25^\circ\text{C}$ )

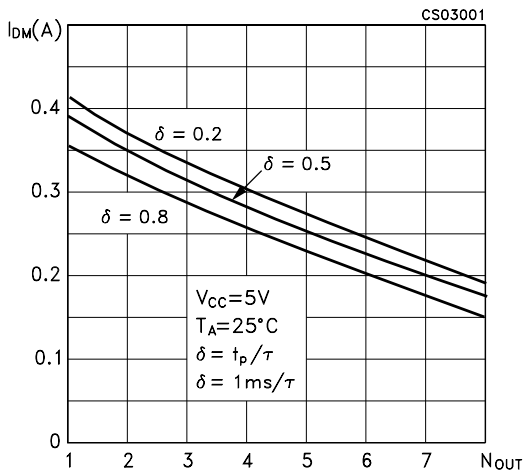
**Figure 13 :** Max Continuous Drain Current vs Number of Outputs Conducting Simultaneously



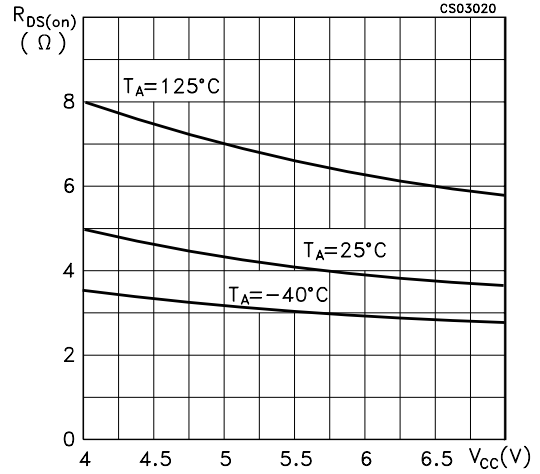
**Figure 14 :** Static Drain-Source ON-State Resistance vs Drain Current



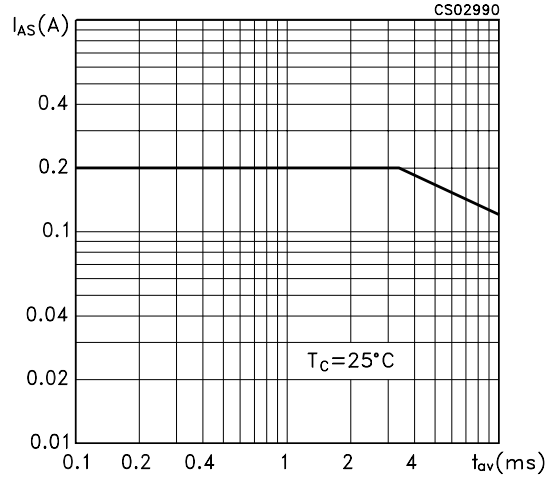
**Figure 15 :** Maximum Peak Drain Current vs Number of Outputs Conducting Simultaneously



**Figure 16 :** Static Drain-Source ON-State Resistance vs Logic Supply Voltage



**Figure 17 :** Peak Avalanche Current vs Time Duration of Avalanche



**Figure 18 :** Supply Current vs Frequency

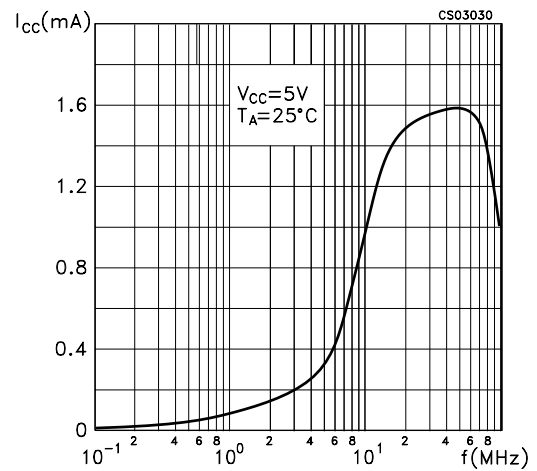


Figure 19 : Supply Current vs Supply Voltage

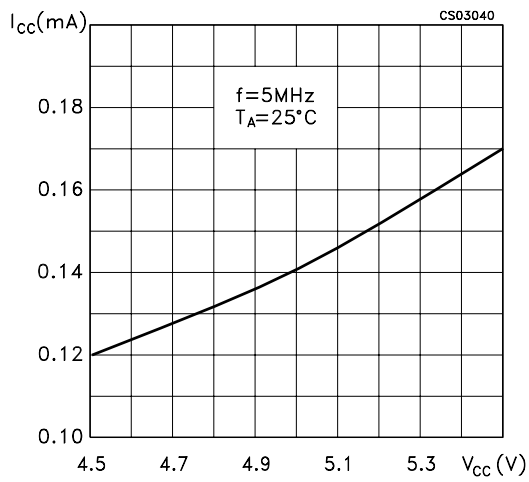


Figure 21 : Normalized Junction to Ambient Thermal Resistance

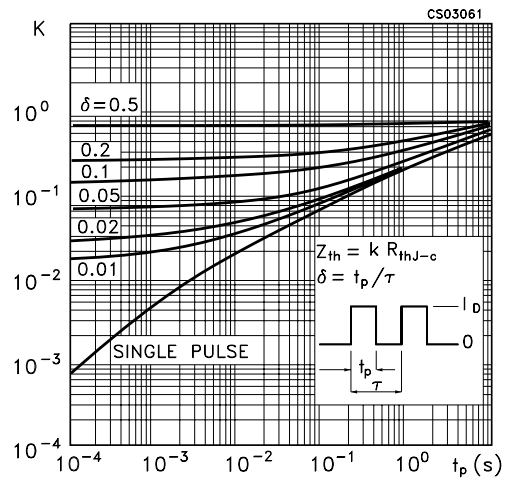
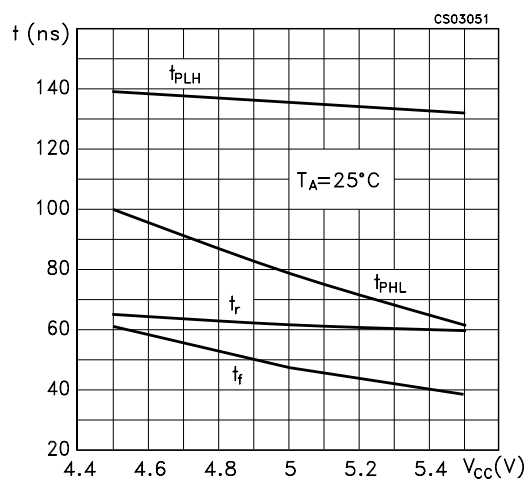
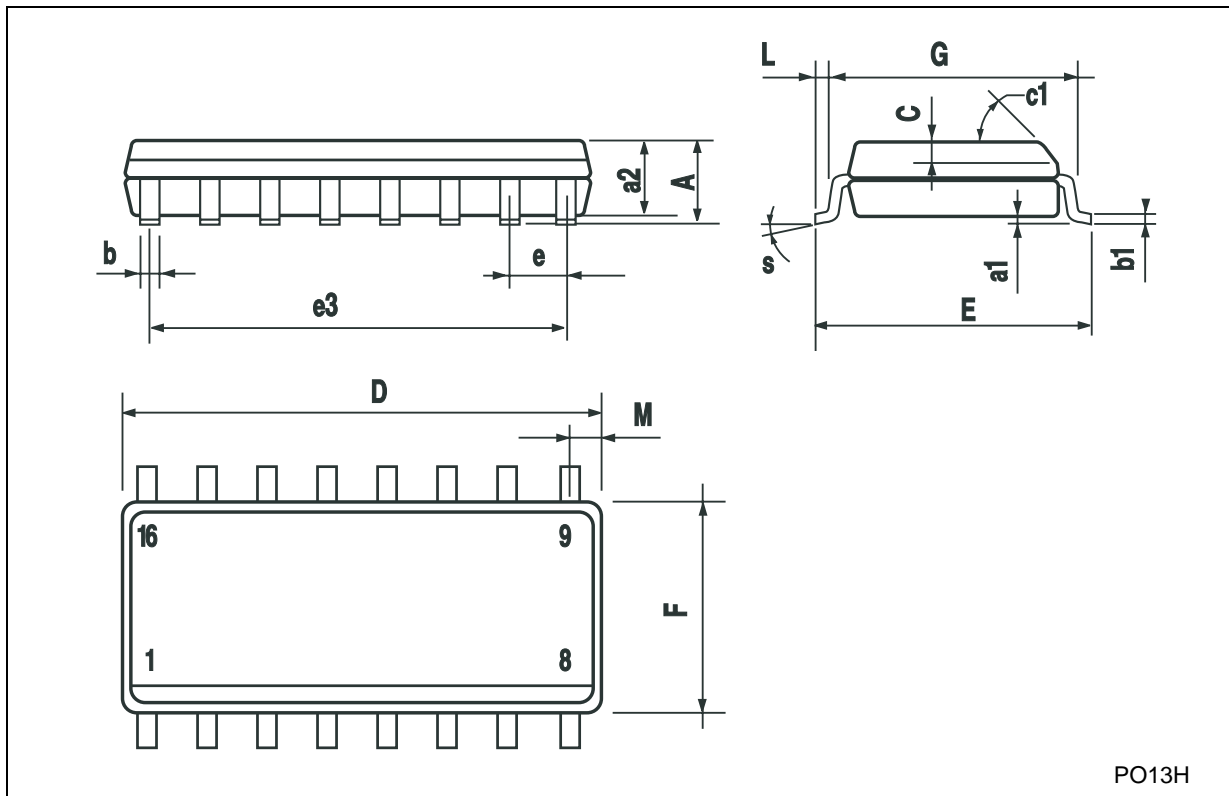


Figure 20 : Switching Time vs Case Temperature



**SO-16 MECHANICAL DATA**

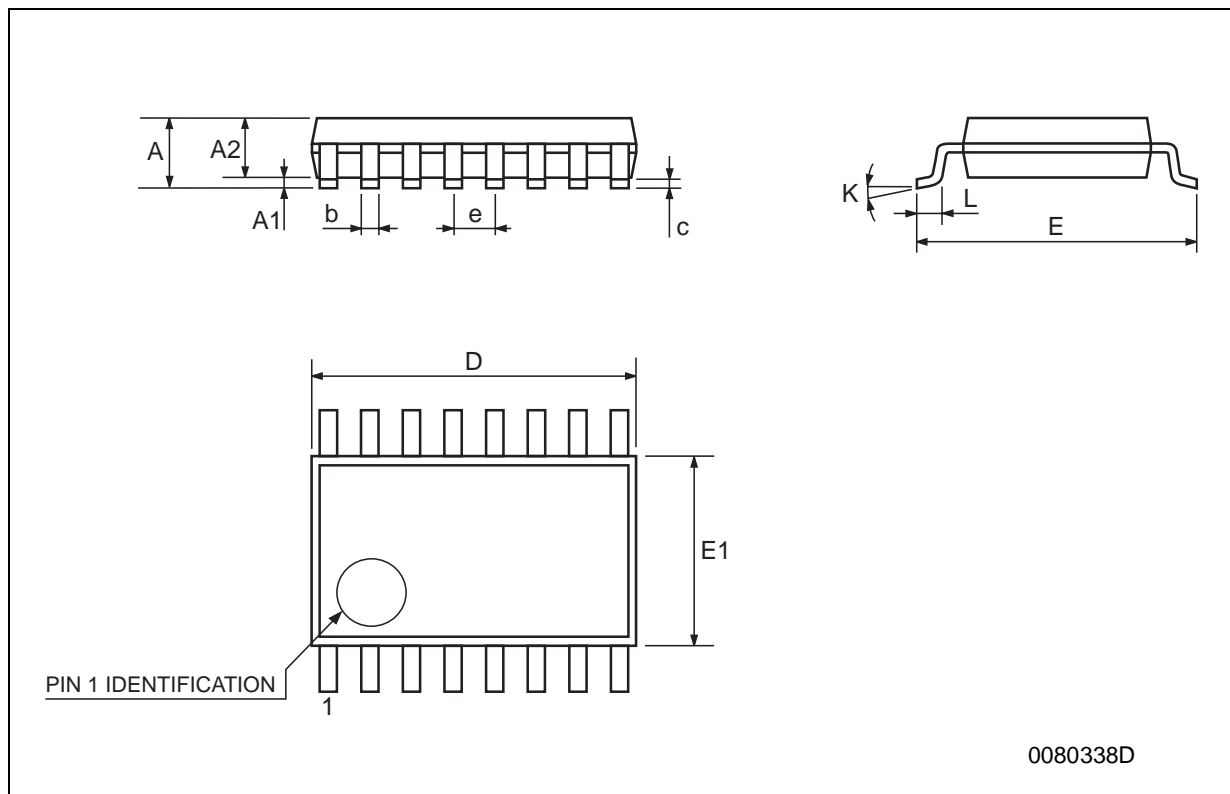
DIM.	mm.			inch		
	MIN.	TYP.	MAX.	MIN.	TYP.	MAX.
A			1.75			0.068
a1	0.1		0.2	0.003		0.007
a2			1.65			0.064
b	0.35		0.46	0.013		0.018
b1	0.19		0.25	0.007		0.010
C		0.5			0.019	
c1	45° (typ.)					
D	9.8		10	0.385		0.393
E	5.8		6.2	0.228		0.244
e		1.27			0.050	
e3		8.89			0.350	
F	3.8		4.0	0.149		0.157
G	4.6		5.3	0.181		0.208
L	0.5		1.27	0.019		0.050
M			0.62			0.024
S	8° (max.)					



PO13H

## TSSOP16 MECHANICAL DATA

DIM.	mm.			inch		
	MIN.	TYP	MAX.	MIN.	TYP.	MAX.
A			1.2			0.047
A1	0.05		0.15	0.002	0.004	0.006
A2	0.8	1	1.05	0.031	0.039	0.041
b	0.19		0.30	0.007		0.012
c	0.09		0.20	0.004		0.0089
D	4.9	5	5.1	0.193	0.197	0.201
E	6.2	6.4	6.6	0.244	0.252	0.260
E1	4.3	4.4	4.48	0.169	0.173	0.176
e		0.65 BSC			0.0256 BSC	
K	0°		8°	0°		8°
L	0.45	0.60	0.75	0.018	0.024	0.030



Information furnished is believed to be accurate and reliable. However, STMicroelectronics assumes no responsibility for the consequences of use of such information nor for any infringement of patents or other rights of third parties which may result from its use. No license is granted by implication or otherwise under any patent or patent rights of STMicroelectronics. Specifications mentioned in this publication are subject to change without notice. This publication supersedes and replaces all information previously supplied. STMicroelectronics products are not authorized for use as critical components in life support devices systems without express written approval of STMicroelectronics.

© The ST logo is a registered trademark of STMicroelectronics

© 2002 STMicroelectronics - Printed in Italy - All Rights Reserved  
STMicroelectronics GROUP OF COMPANIES